

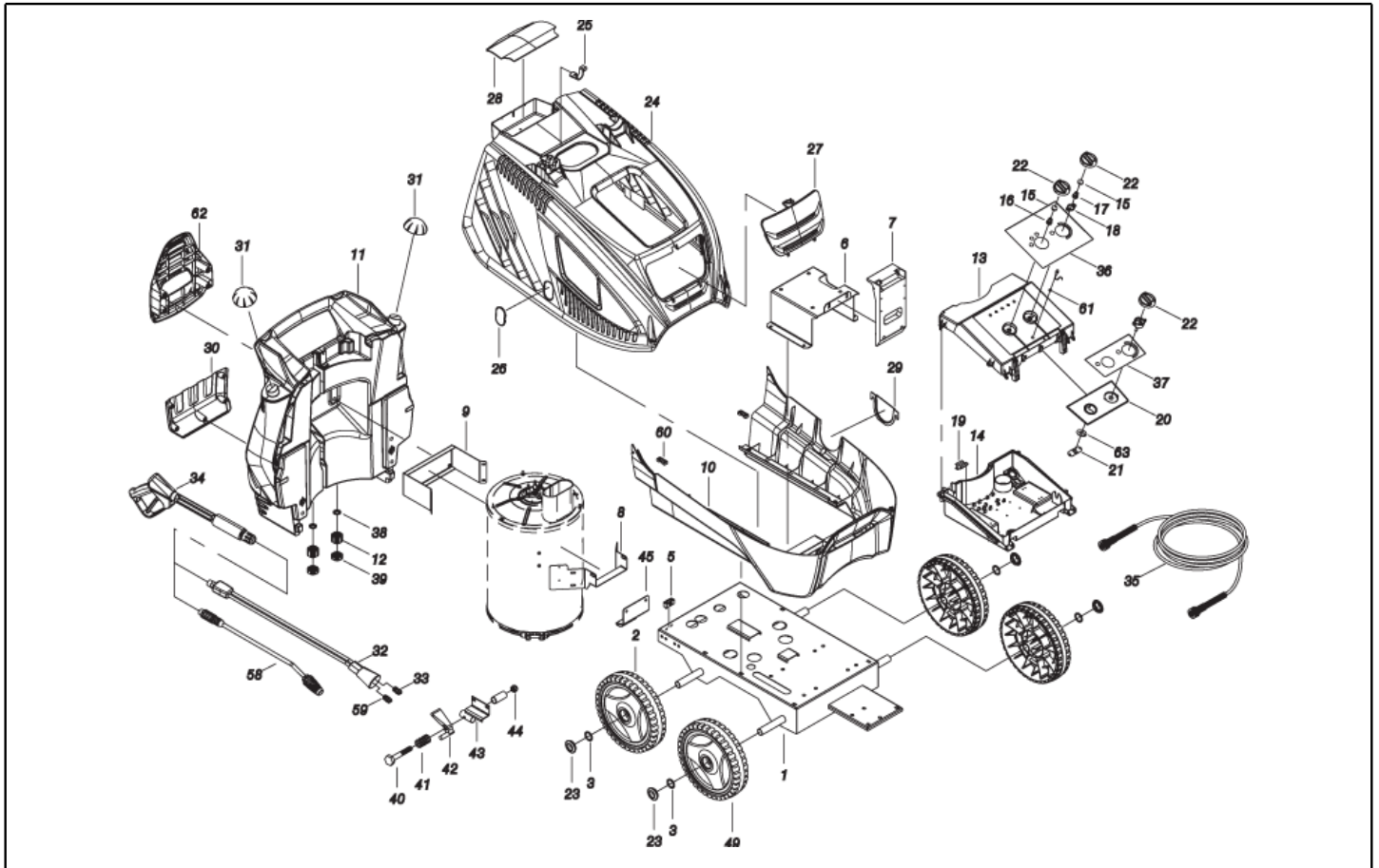


**IPC**

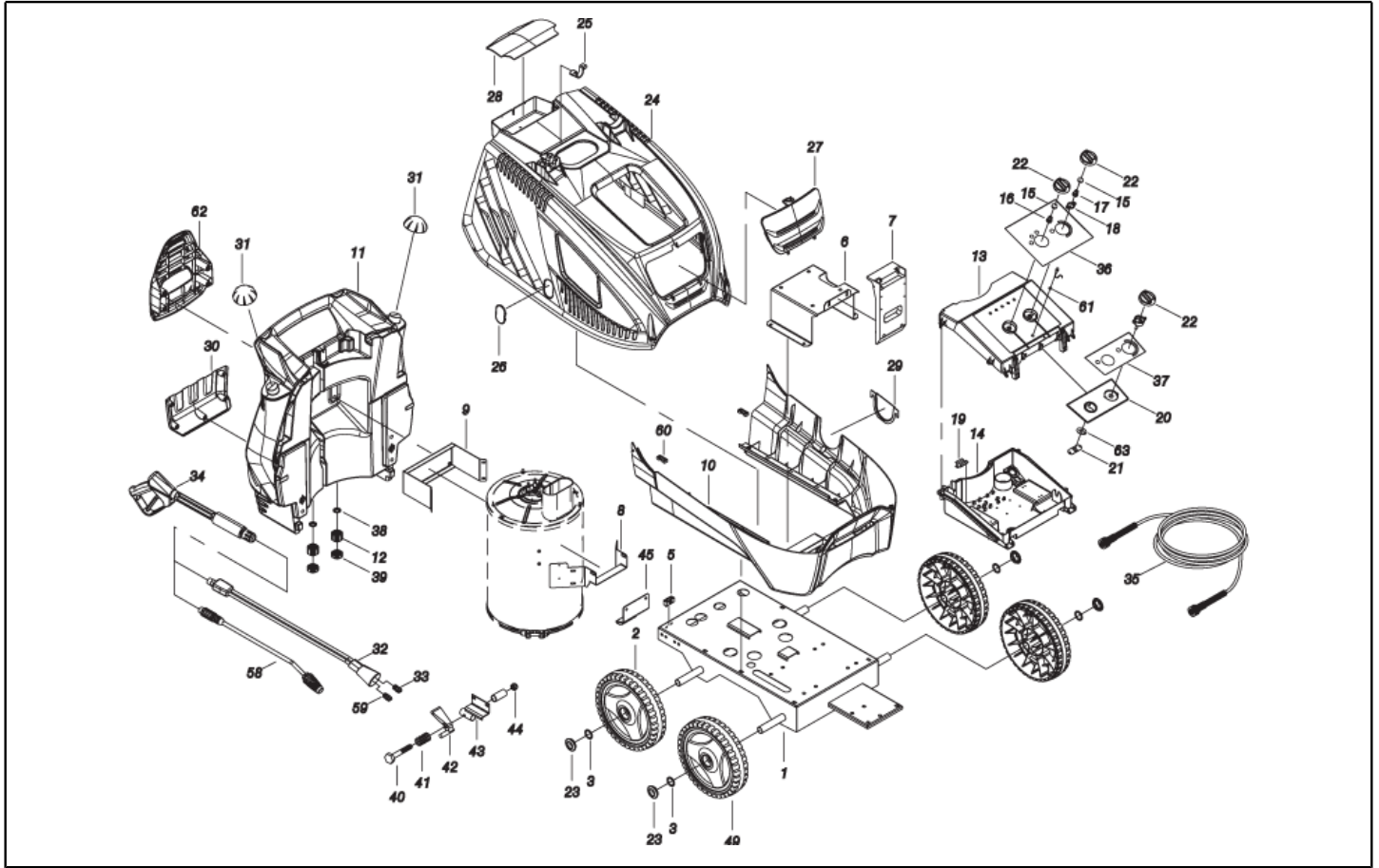
**Spare parts list**

Ref: IDAC41058

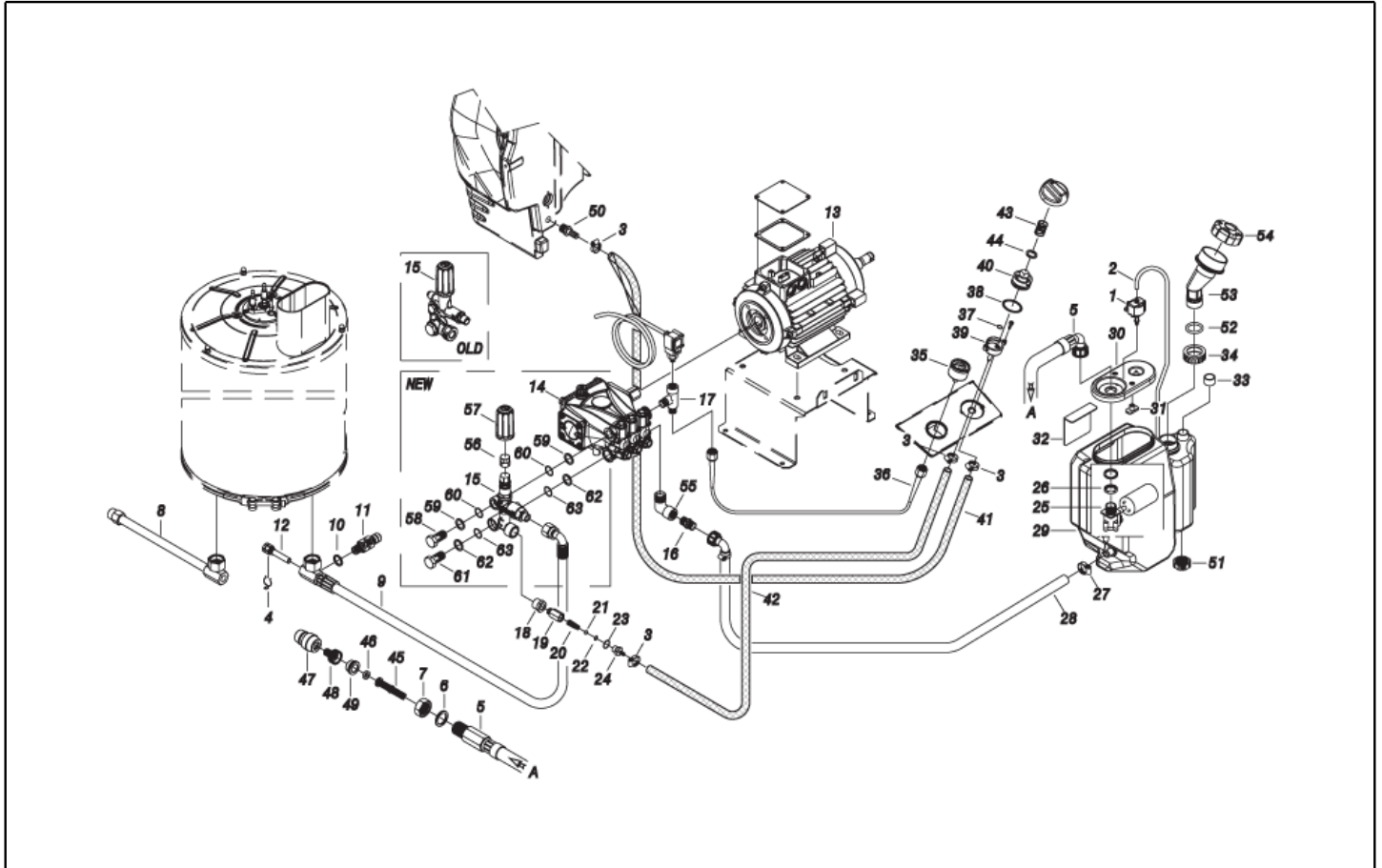
Model: H.P. CLEANER PW-H50/4 D1310P4m230/50IN



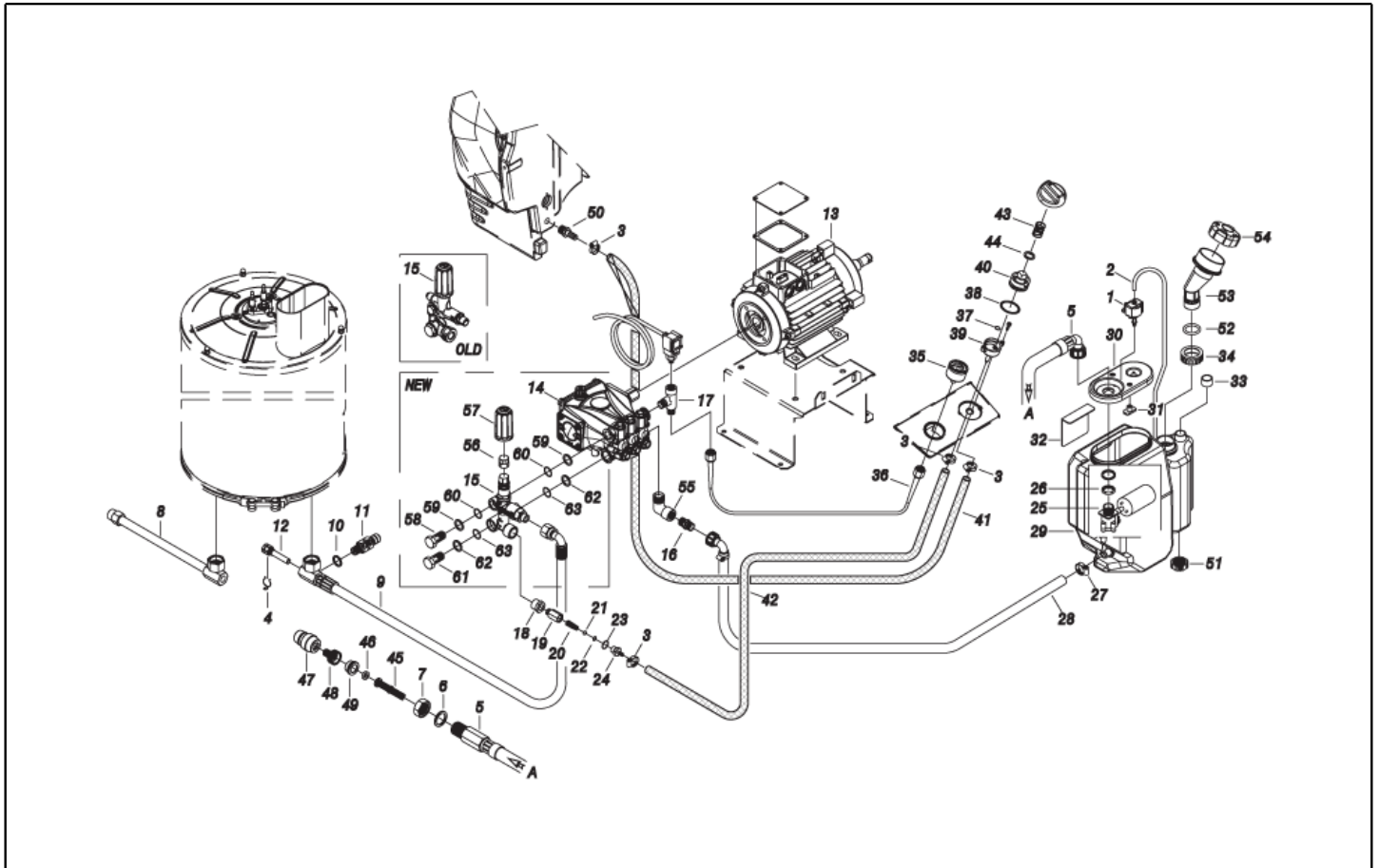
| Ref. K | Part n.   | Part n. 2 | Description                             | Quantity | Validity   |            | Price |
|--------|-----------|-----------|---|----------|------------|------------|-------|
|        |           |           |   |          | From       | To         |       |
| 0001   | LAFN40760 |           | CHASSIS PW-H50/4W BK.                   | 1,00     |            |            | --    |
| 0002   | RTRT40045 |           | WHEEL D.300-D.25 FLY-IPC BK/GRN         | 2,00     |            |            | --    |
| 0003   | VTRS09813 | 00009813  | WASHER D.25                             | 4,00     |            |            | --    |
| 0005   | MEVR20906 | 00020906  | CABLE CLAMP KSM                         | 1,00     |            |            | --    |
| 0006   | LAFN40651 |           | MOTOR SUPPORT PW-H35 3.0Hp-PM ZC.       | 1,00     |            |            | --    |
| 0007   | MPVR33534 | 00033534  | BOX SUPPORT MST PA 66                   | 1,00     |            |            | --    |
| 0008   | LAFN40658 |           | SUPPORT PW-H35 PM/3HP ZC.               | 1,00     |            |            | --    |
| 0009   | LAFN40835 |           | BRACKET PW-H35 PM.2 ZC                  | 1,00     | 16/11/2015 |            | --    |
| 0010   | MPVR40591 |           | BLACK COVER PW-H35 INF.P/2P-PM PP       | 1,00     |            |            | --    |
| 0011   | MPVR40519 |           | TANK PW-H35 PEHD BK.                    | 1,00     |            |            | --    |
| 0012   | PVVR11806 | 00011806  | DISCHARGE CAP FLL                       | 2,00     |            |            | --    |
| 0013   | MPVR40540 |           | BOX COVER PW-H35 ABS BK.                | 1,00     |            |            | --    |
| 0014   | MPVR40836 |           | CONTROL BOX PW-H35 C/F.Fs.ABS BK.       | 1,00     | 10/04/2016 |            | --    |
| 0015   | GUGO25527 | 00025527  | O-RING D. 14 X 3 NBR 70SH               | 2,00     |            |            | --    |
| 0016   | MPVR23482 | 00023482  | SWITCH TANG TEC. TUV                    | 1,00     |            |            | --    |
| 0017   | MPVR23484 | 00023484  | TAIL PIECE THERM.KSM TUV                | 1,00     |            |            | --    |
| 0018   | MPVR41903 | 00041903  | THICKNESS TERM.IM.PA66                  | 1,00     |            |            | --    |
| 0019   | LAFN40607 | 00046067  | SUPPORT L.60 P176                       | 2,00     |            |            | --    |
| 0020   | MPVR40542 |           | ANT. PANEL PW-H35 ABS BK.               | 1,00     |            |            | --    |
| 0021   | LAFN40922 |           | JUNCTION BOARD PW-H35 D.14 ZC.          | 1,00     | 01/03/2017 |            | --    |
| 0022   | MPVR49057 | 00049057  | BLACK KNOB P176-M.RACE PA6              | 3,00     |            |            | --    |
| 0023   | MPVR40734 |           | HUB CAP D.50 G-48/IPC GR.368C           | 4,00     | 01/10/2015 |            | --    |
| 0024   | MPVR40525 |           | GREEN COVER PW-H35 SUP.PP GR.368C       | 1,00     |            |            | --    |
| 0024   | FSVR62795 |           | PLATE DI FISSAGGIO RPD0074              | 2,00     |            |            | --    |
| 0025   | MPVR40485 |           | RUBBER PW-H35 15-20BK.                  | 1,00     |            |            | --    |
| 0025   | MPVR40534 |           | PIN PW-H35 PP BK.                       | 2,00     |            |            | --    |
| 0026   | MPVR40539 |           | DOOR PW-H35 PPL NT.                     | 1,00     |            |            | --    |
| 0027   | MPVR40527 |           | DOOR PW-H35 PPL GR.368C                 | 1,00     |            | 31/12/2014 | --    |
| 0027   | MPVR40660 |           | DOOR PW-H35 PPL BK.                     | 1,00     | 01/01/2015 |            | --    |
| 0028   | MPVR40529 |           | DOOR PW-H35 PPL V.368C PST              | 1,00     |            | 31/12/2014 | --    |
| 0028   | MPVR40661 |           | DOOR PW-H35 PPL BK. PST                 | 1,00     | 01/01/2015 |            | --    |
| 0029   | MPVR40532 |           | DOOR PW-H35 PPL BK.INF.                 | 1,00     |            |            | --    |
| 0030   | MPVR40533 |           | TOOL HOLDER PW-H35 PP BK.               | 1,00     |            |            | --    |
| 0031   | MPVR40187 |           | TANK CAP P215 PEHD C/F.                 | 2,00     |            |            | --    |
| 0032   | LCPR89117 |           | DOUBLE EXTENS. PD 70 M22 M -1/4F INX MV | 1,00     |            |            | --    |
| 0033   | UGLN49986 | 00049986  | NOZZLE LECH 1/4 1504                    | 1,00     |            |            | --    |
| 0034   | IPPR40020 |           | GRIP G 6000+P.330 +M22 SW.M V           | 1,00     |            |            | --    |
| 0035   | TBAP44379 | 00044379  | H.P. HOSE R1 MT 20 5/16" C/2 IRV ZC     | 1,00     |            |            | --    |
| 0036   | ETET40555 |           | LABEL PW-H35 ELETT.                     | 1,00     |            |            | --    |
| 0037   | ETET40556 |           | LABEL PW-H35 IDR.                       | 1,00     |            |            | --    |
| 0038   | GUGO11489 | 00011489  | GASKET D.22X1,5                         | 2,00     |            |            | --    |
| 0039   | MPVR20187 | 00020187  | RING NUT M 39 X 3                       | 2,00     |            |            | --    |
| 0040   | VTVT14480 | 00014480  | SCREW TE M 8X80 ZINC. UNI               | 1,00     |            |            | --    |
| 0041   | MLML11917 | 00011917  | SPRING D. 14,5 X24 X2,2                 | 1,00     |            |            | --    |



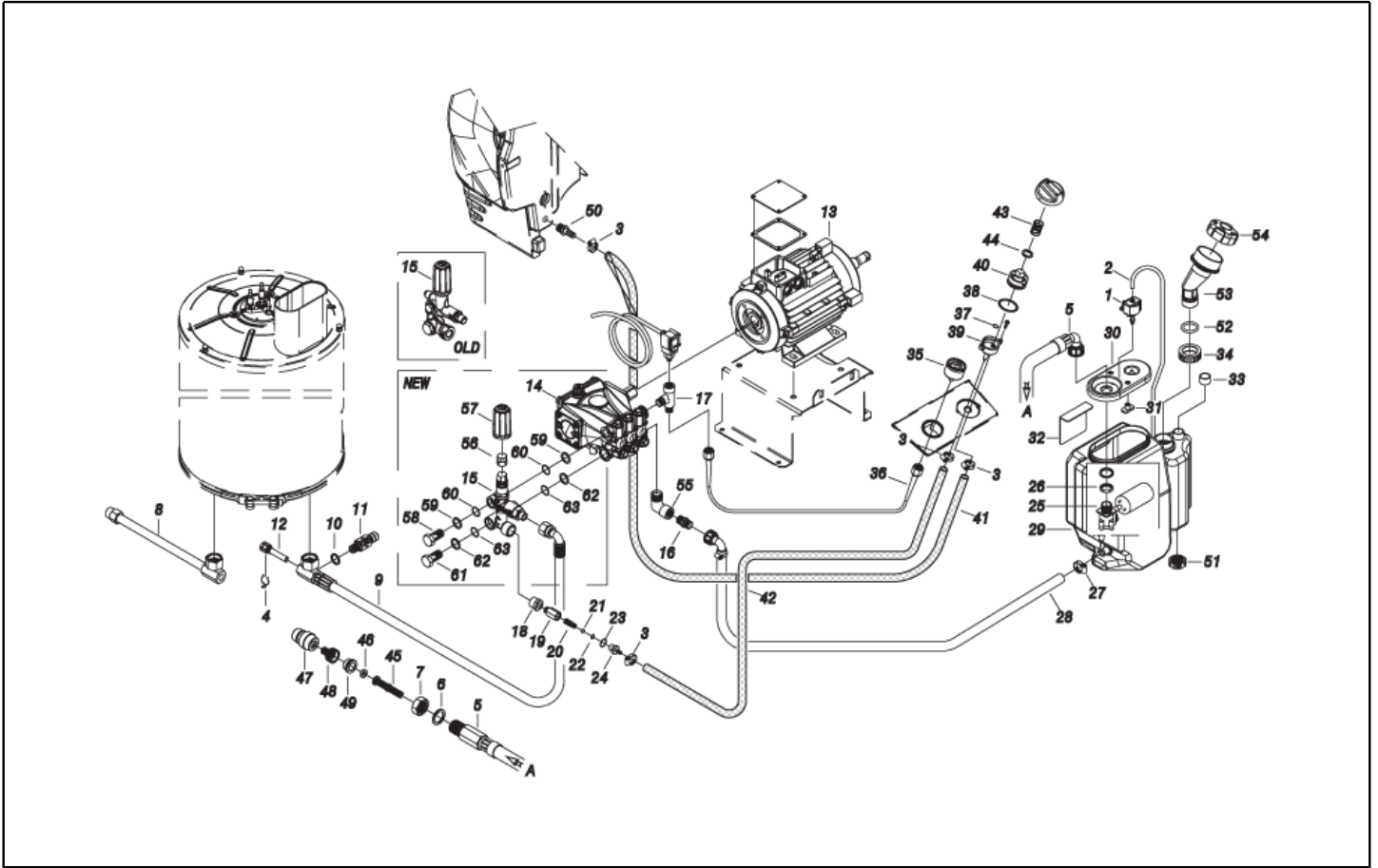
| Ref. K | Part n.   | Part n. 2 | Description                       | Quantity | Validity   |    | Price |
|--------|-----------|-----------|-----------------------------------|----------|------------|----|-------|
|        |           |           |                                   |          | From       | To |       |
| 0042   | MPVR40751 |           | TRIGGER H28/4W                    | 1,00     |            |    | --    |
| 0043   | LAFN40762 |           | BRACKET PW-H50/4W BK.             | 1,00     |            |    | --    |
| 0044   | VTDD00492 | 00000492  | NUT M 8 ZINC                      | 1,00     |            |    | --    |
| 0045   | LAFN40609 |           | FOOT PW-H35/4W                    | 1,00     |            |    | --    |
| 0049   | RTRT40043 |           | WHEEL D.250-D.25X 65 RES BK/GRN   | 2,00     |            |    | --    |
| 0058   | LCPR40103 |           | EXTENSION P 70 - TURBO TPR255 040 | 1,00     |            |    | --    |
| 0059   | UGLN49987 | 00049987  | NOZZLE LECH 1/4 15045             | 1,00     |            |    | --    |
| 0060   | MPVR28554 | 00028554  | CABLE FASTNER ELT                 | 2,00     |            |    | --    |
| 0060   | VTVT13234 | 00013234  | SCREW TCB-TC 3.5X19 NIK           | 4,00     |            |    | --    |
| 0062   | MPVR40701 |           | HOSE SUPPORT PW-H35 PP BK.        | 1,00     |            |    | --    |
| 0063   | LAFN40921 |           | PLATE PW-H35 D.14 ZC.             | 1,00     | 01/03/2017 |    | --    |



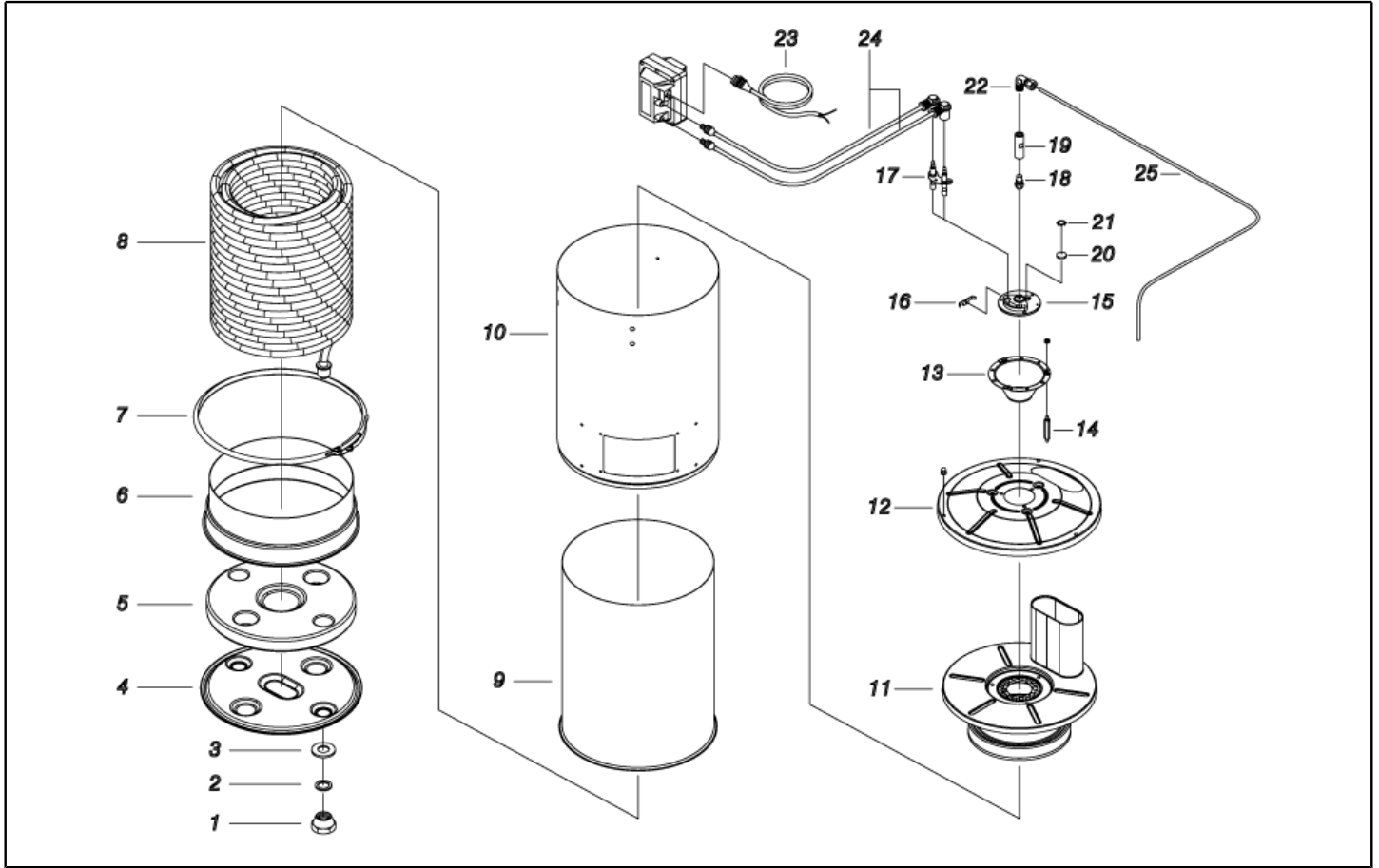
| Ref. K | Part n.   | Part n. 2 | Description                              | Quantity | Validity   |    | Price |
|--------|-----------|-----------|--|----------|------------|----|-------|
|        |           |           |  |          | From       | To |       |
| 0001   | MEPD45940 | 00045940  | DESCALING PUMP NME 1 24V 50/60HZ         | 1,00     |            |    | --    |
| 0002   | TBBP00058 | 00000058  | L.P. HOSE D. 4- 7                        | 0,60     |            |    | --    |
| 0003   | FSVR00427 | 00000427  | CLAMP D. 12 CLIC 66-110                  | 4,00     |            |    | --    |
| 0004   | MLML02623 | 00002623  | SPRING IMT                               | 1,00     |            |    | --    |
| 0005   | TBBP40064 |           | L.P. HOSE L=1060 3/4F90°-1/2M 0°         | 1,00     |            |    | --    |
| 0006   | RCDS49875 | 00049875  | RING NUT 1/2"X 6 CH.27 OT.               | 1,00     |            |    | --    |
| 0007   | VTRS00549 | 00000549  | WASHER D.21,5X27X1.5 (1/2) RM            | 1,00     |            |    | --    |
| 0008 S | RCDS21118 | 00021118  | CONNECTOR KSM                            | 1,00     |            |    | --    |
| 0008 S | RCDS21119 | 00021119  | NUT KSM                                  | 1,00     |            |    | --    |
| 0008 S | RCDS40045 |           | CONNECTOR G 3/8F -1/4 +M14X1 C.27        | 1,00     |            |    | --    |
| 0008 S | RCIN03753 | 00003753  | MALE COUPLING M22-3/8 M-FA               | 1,00     |            |    | --    |
| 0008 S | RCDS40164 |           | CONNECTOR L=285 2X3/8M CN. ZC.           | 1,00     |            |    | --    |
| 0009   | TBAP40115 |           | HOSE-FITTING 3/ 8 R1 L=685 3/8F90-PM26   | 1,00     |            |    | --    |
| 0010   | VTRS40960 | 00040960  | WASHER D.13.5X19 X4 AL.                  | 1,00     |            |    | --    |
| 0011   | VVSC89643 |           | VALVE MG 1000 G1/4M-M D.8 200B           | 1,00     |            |    | --    |
| 0012   | RCDS00593 | 00000593  | SUMP IM 0-120 L=50                       | 1,00     |            |    | --    |
| 0013   | MOMO40045 |           | 1PH MOTOR H35 HP 3 230-50 4P E-k         | 1,00     |            |    | --    |
| 0014   | PPAP40110 |           | PUMP RC 10.12 DX ND                      | 1,00     |            |    | --    |
| 0015   | VVAZ40061 |           | VALVE AR M.MATIC 4/B-RC+TS SI.3          | 1,00     |            |    | --    |
| 0016   | RCDS46144 | 00046144  | NIPPLE 3/4 - 1/2 CB D. 7.0               | 1,00     |            |    | --    |
| 0017   | RCDS40177 |           | CONNECTOR T 3/8M - 1/4 M/F OT. CN.       | 1,00     |            |    | --    |
| 0018   | RCVR02606 | 00002606  | REDUCTION 1/2-1/4 M/F                    | 1,00     |            |    | --    |
| 0019   | RCDS46072 | 00046072  | VALVE BODY N/R 1/4F-1/4 P176 OT          | 1,00     |            |    | --    |
| 0020   | MLML21505 | 00021505  | SPRING D. 8 X5 X0.3                      | 1,00     |            |    | --    |
| 0021   | SFVR04274 | 00004274  | BALL D. 7/32                             | 1,00     |            |    | --    |
| 0022   | GUGO01055 | 00001055  | O-RING D. 5.28 X 1.78 VIT 70SH           | 1,00     |            |    | --    |
| 0023   | GUGO01036 | 00001036  | O-RING D. 10.82 X 1.78 NBR 70SH          | 1,00     |            |    | --    |
| 0024   | RCDS10546 | 00010546  | VALVE SEAT 1/4M + PG. D.3-7.5 OTT        | 1,00     |            |    | --    |
| 0025   | RCGR89343 |           | FLOATER MTM 3/4 PP. S/F. +ADP.245        | 1,00     |            |    | --    |
| 0026   | RCVR49974 | 00049974  | RING NUT 3/4" X 4 NIK                    | 1,00     |            |    | --    |
| 0027   | FSVR00431 | 00000431  | CLAMP D. 16-25                           | 1,00     |            |    | --    |
| 0028   | TBBP40096 |           | L.P. HOSE L=430 3/4F 90°-LB.             | 1,00     |            |    | --    |
| 0029   | MPVR40517 |           | WATER TANK P190-35 PEHD BK.              | 1,00     |            |    | --    |
| 0030   | MPVR40516 |           | TANK COVER P190-35 PA6 BL.               | 1,00     |            |    | --    |
| 0031   | MPVR89078 |           | PLATE P190 PA6 BL.                       | 2,00     |            |    | --    |
| 0032   | LAFN89079 |           | PANEL P190 INX                           | 1,00     |            |    | --    |
| 0034   | MPVR40739 |           | TANK CAP KSM D.36.2                      | 1,00     |            |    | --    |
| 0035   | MNMN93800 |           | PRESSURE GAUGE 1/8 POST. 0-300 D.40 S/ST | 1,00     |            |    | --    |
| 0036   | TBAP40113 |           | POLYAMIDE HOSE L=420 1/4F GR.-1/8F MN.   | 1,00     |            |    | --    |
| 0037   | GUGO08071 | 00008071  | O-RING D. 4.48 X 1.78 NBR 70SH           | 1,00     | 01/01/2017 |    | --    |
| 0038   | GUGO12183 | 00012183  | O-RING D. 23.4 X 3.53 VIT 70SH           | 1,00     | 01/01/2017 |    | --    |
| 0039   | RCGR08069 | 00008069  | TAP BODY DET. PRT                        | 1,00     | 01/01/2017 |    | --    |
| 0040   | RCGR08070 | 00008070  | ADJUSTER PRT                             | 1,00     | 01/01/2017 |    | --    |
| 0041   | TBBP00051 | 00000051  | DETERGENT HOSE D. 6-12                   | 1,20     | 01/01/2017 |    | --    |



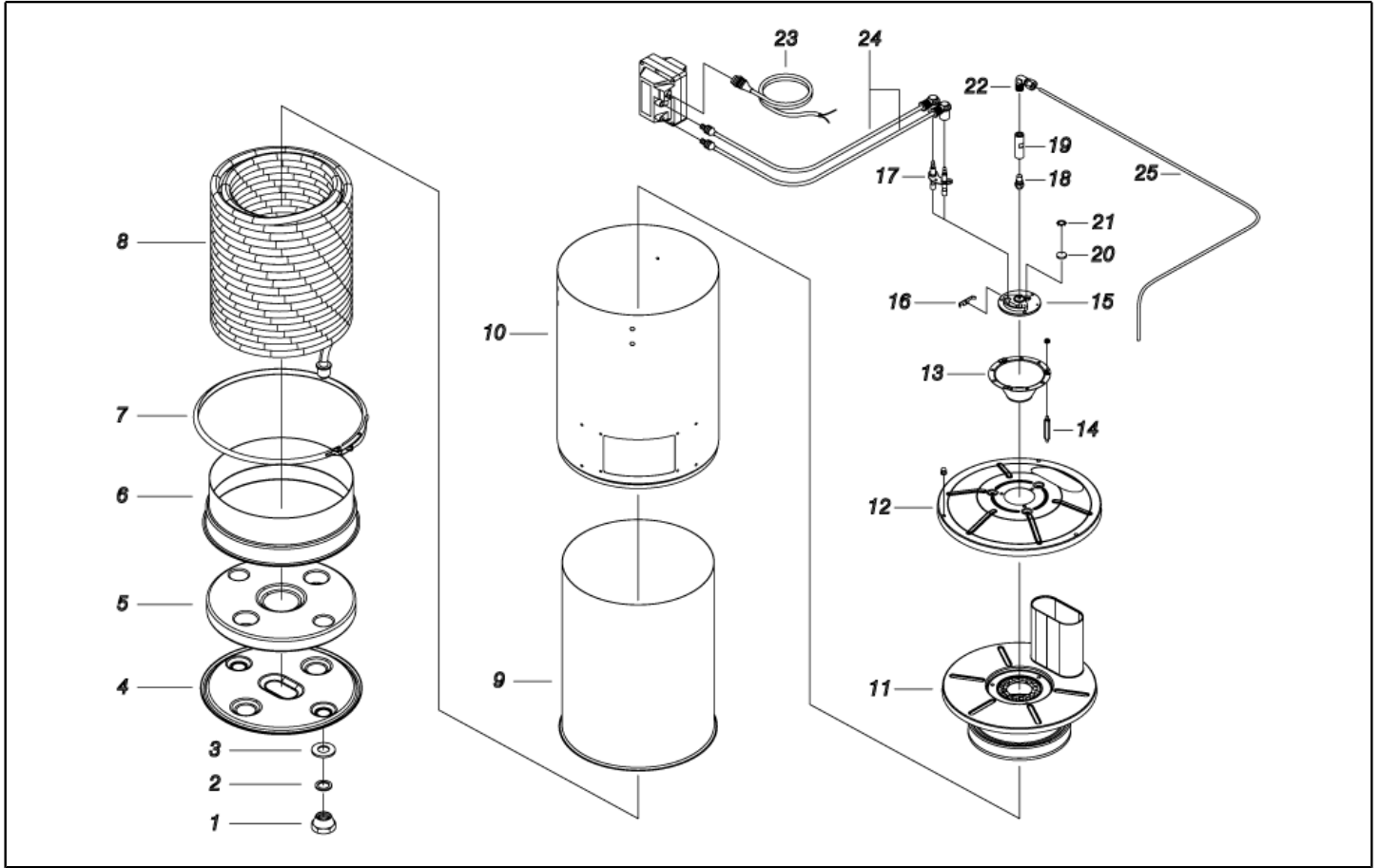
| Ref. K | Part n.   | Part n. 2 | Description                    | Quantity | Validity   |    | Price |
|--------|-----------|-----------|--------------------------------|----------|------------|----|-------|
|        |           |           |                                |          | From       | To |       |
| 0042   | TBBP00051 | 00000051  | DETERGENT HOSE D. 6-12         | 0,77     | 01/01/2017 |    | --    |
| 0043   | MLML08068 | 00008068  | SPRING D.1,5 L.23              | 1,00     |            |    | --    |
| 0044   | VTRS00542 | 00000542  | WASHER D.14X20                 | 1,00     |            |    | --    |
| 0045   | FTAC30214 | 00030214  | FILTER D.15X67                 | 1,00     |            |    | --    |
| 0046   | GUGO37736 | 00037736  | GASKET D. 10- 19 X 5 70SH      | 1,00     |            |    | --    |
| 0047   | RCVR29600 | 00029600  | SOCKET PTC 3/4 F               | 1,00     |            |    | --    |
| 0048   | RCVR29602 | 00029602  | CONNECTOR D. 1/2"-5/8" PTC     | 1,00     |            |    | --    |
| 0049   | RCVR37806 | 00037806  | REDUCTION PTC 3/4-1/2 M/F      | 1,00     |            |    | --    |
| 0050   | RCVR40113 |           | HOSE FITTING 1/8 M D. 5- 7 NIK | 2,00     |            |    | --    |
| 0051   | MPVR20187 | 00020187  | RING NUT M 39 X 3              | 1,00     |            |    | --    |
| 0052   | GUGO89386 |           | O-RING D. 30 X 5 NBR 70SH      | 1,00     |            |    | --    |
| 0053   | MPVR40700 |           | MANIFOLD A.CLCL PW-H35 PP NT.  | 1,00     |            |    | --    |
| 0054   | MPVR40187 |           | TANK CAP P215 PEHD C/F.        | 1,00     |            |    | --    |
| 0055   | RCVR00575 | 00000575  | ELBOW 1/2" M/F A10             | 1,00     |            |    | --    |



| Ref. Part n. | Cust. part n.       | Description | Reference | Price |
|--------------|---------------------|-------------|-----------|-------|
| KTRI40258    | KIT P 13- 10 PW-H35 |             | 0008      | --    |

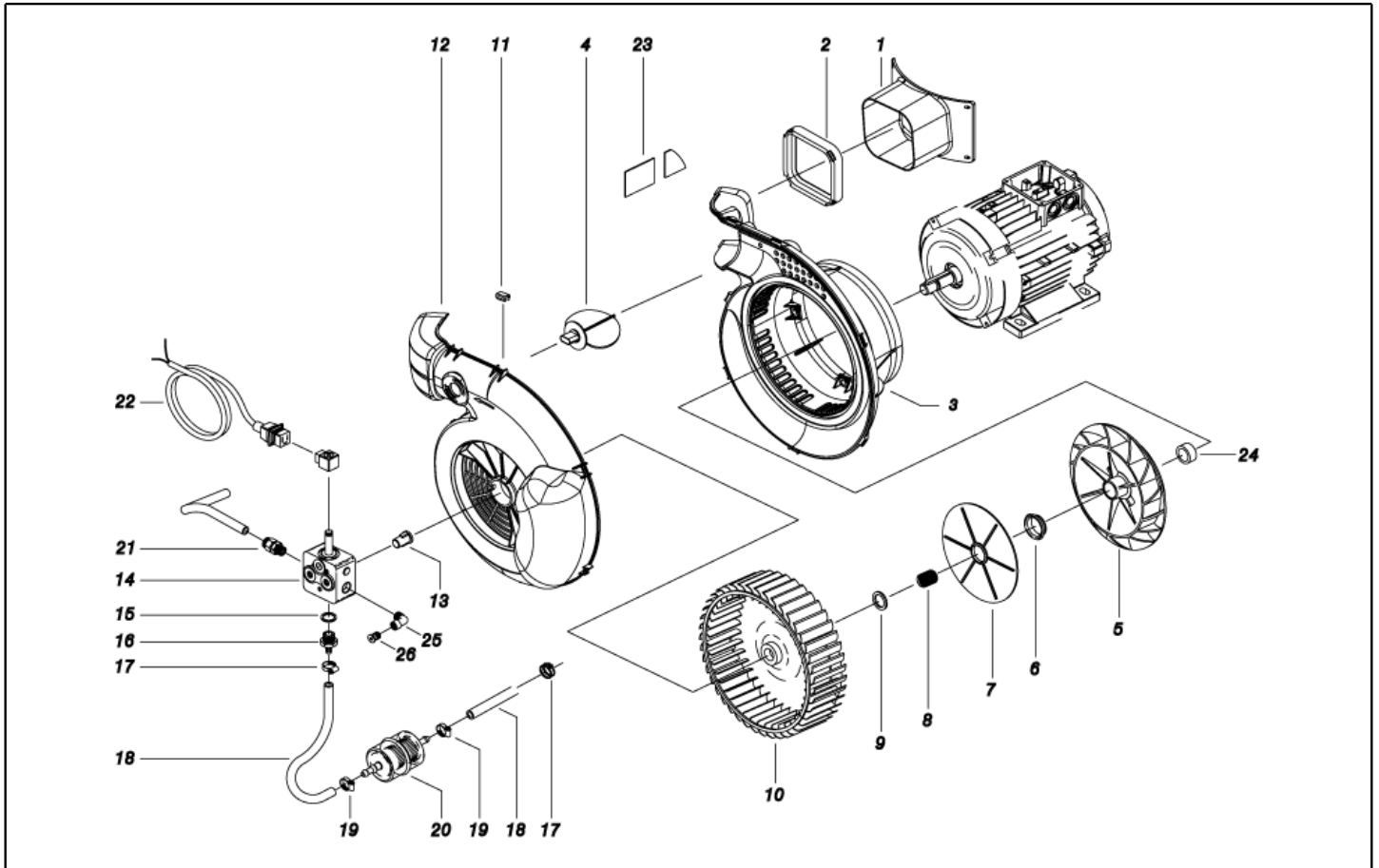


| Ref. K | Part n.   | Part n. 2 | Description                       | Quantity | Validity   |    | Price |
|--------|-----------|-----------|-----------------------------------|----------|------------|----|-------|
|        |           |           |                                   |          | From       | To |       |
| 0001   | RCDS21120 | 00021120  | RING NUT M 26 X 1,5               | 2,00     |            |    | --    |
| 0002   | GUGO21222 | 00021222  | O-RING D. 15.54 X 2.62 VIT 80SH   | 2,00     |            |    | --    |
| 0003   | GUVR21021 | 00021021  | ANTI-EXTR.RING D. 21 X17 TEF.     | 2,00     |            |    | --    |
| 0004   | LAFN44149 | 00044149  | BOILER BOTTOM P176                | 1,00     |            |    | --    |
| 0005   | ITTE44175 | 00044175  | BOTTOM P176 C.TE                  | 1,00     |            |    | --    |
| 0006   | LAFN44151 | 00044151  | BAND P176 INX                     | 1,00     |            |    | --    |
| 0007   | LAFN40037 |           | RING D.342 P176 ZN 2V.CPL.        | 1,00     |            |    | --    |
| 0008   | LAGR44156 | 00044156  | DOUBLE COIL M26X1.5 P176 24MT GRZ | 1,00     |            |    | --    |
| 0009   | LASL40101 |           | INT. CYLINDER PM INX              | 1,00     |            |    | --    |
| 0010   | LAFN40581 |           | EXT. CYLINDER PM-H35 INX          | 1,00     |            |    | --    |
| 0011   | LAFN40269 |           | BOILER COVER SI PM INX            | 1,00     |            |    | --    |
| 0012   | LAFN40270 |           | BOILER COVER SE PM INX            | 1,00     |            |    | --    |
| 0013   | LAFN44244 | 00044244  | BAFFLE P176 30M INX               | 1,00     |            |    | --    |
| 0014   | LAFN40271 |           | PIN CH.10 X 67.7 M5M/M5M PM       | 3,00     |            |    | --    |
| 0015   | MFVR18226 | 00018226  | ELECTR.HOLDER FUT 3°V             | 1,00     |            |    | --    |
| 0016   | LAFN07641 | 00007641  | PLATE INX                         | 1,00     |            |    | --    |
| 0017   | MECA12525 | 00012525  | ELECTRODE FUT                     | 1,00     |            |    | --    |
| 0018   | UGBR22575 | 00022575  | BURNER NOZZLE DANF. 1.00 60 S     | 1,00     |            |    | --    |
| 0019   | RCDS07642 | 00007642  | NOZZLE HOLDER FUT                 | 1,00     |            |    | --    |
| 0020   | MPVR18228 | 00018228  | OIL WARN-LIGHT D.17 X3            | 1,00     |            |    | --    |
| 0021   | VTAE22633 | 00022633  | SEEGER 0.4 X18,30X10,5            | 1,00     |            |    | --    |
| 0022   | RCVR08954 | 00008954  | ELBOW 1/8"-4 B5                   | 1,00     | 01/03/2015 |    | --    |
| 0023   | MECB34463 | 00034463  | CABLE BT L=800 SP. FD             | 1,00     |            |    | --    |
| 0024   | MECV35335 | 00035335  | CABLE A.T. 9,8-23KOHMM L= 500P    | 2,00     |            |    | --    |
| 0025   | TBCO40056 |           | DIESEL HOSE PW-H35/3-PM D. 4 IX   | 1,00     |            |    | --    |

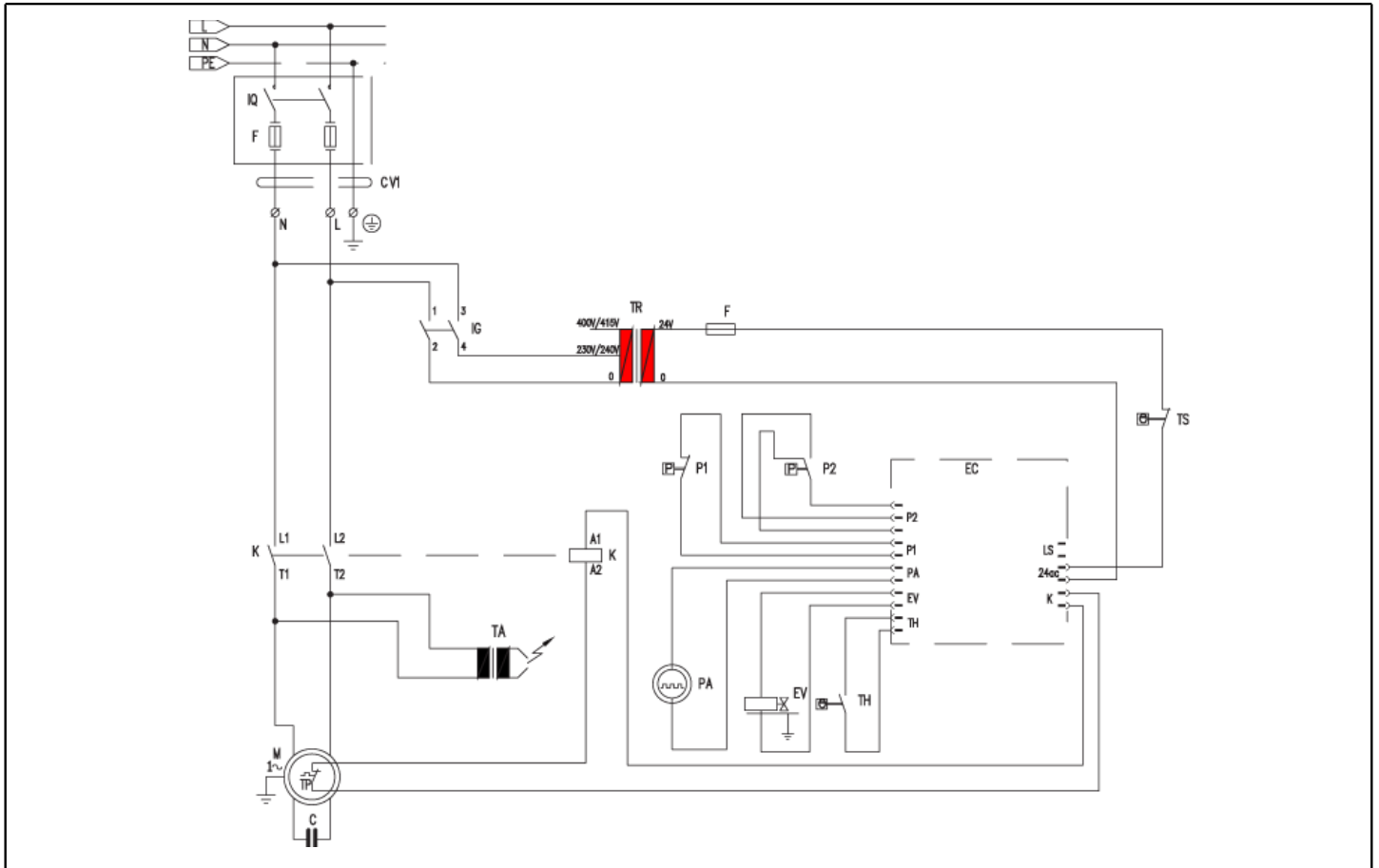


| Ref. Part n. | Cust. part n.       | Description | Reference           | Price |
|--------------|---------------------|-------------|---------------------|-------|
| KTRI40258    | KIT P 13- 10 PW-H35 |             | 0008 0008 0008 0008 | --    |





| Ref. K | Part n.   | Part n. 2 | Description                               | Quantity | Validity   |    | Price |
|--------|-----------|-----------|---|----------|------------|----|-------|
|        |           |           |   |          | From       | To |       |
| 0001   | MPVR88426 |           | CONVEYOR P176 PA6 BK.                     | 1,00     |            |    | --    |
| 0002   | GUGO88425 |           | GASKET P245 EPDM                          | 1,00     |            |    | --    |
| 0003   | MPVR45488 | 00045488  | SCROLL BODY P176 PP                       | 1,00     |            |    | --    |
| 0004   | MPVR45445 | 00045445  | BUTTERFLY VALVE P176 PP                   | 1,00     |            |    | --    |
| 0005   | VEVR45443 | 00045443  | MOTOR FAN P176 H 100                      | 1,00     |            |    | --    |
| 0006   | LAFN45783 | 00045783  | BUSHING D. 30 P176                        | 1,00     |            |    | --    |
| 0007   | MPVR45444 | 00045444  | SEPARATOR P176 ABS                        | 1,00     |            |    | --    |
| 0008   | VTVR45002 | 00045002  | BUSHING D. 17-19X19 CPS.                  | 1,00     |            |    | --    |
| 0009   | VTAE33647 | 00033647  | CIRCLIP D. 19 UNI 7435                    | 1,00     |            |    | --    |
| 0010   | VEVR88781 |           | IMPELLER P176 D.240 43P. 2V. PA6          | 1,00     |            |    | --    |
| 0011   | VTVR20127 | 00020127  | CLIP KSM                                  | 8,00     |            |    | --    |
| 0012   | MPVR45489 | 00045489  | VENTILATOR COV. P176 ABS                  | 1,00     |            |    | --    |
| 0013   | FGGT36513 | 00036513  | JOINT HP 0.25 AACO                        | 1,00     |            |    | --    |
| 0014   | PPGS40004 |           | FUEL PUMP DNF BFA 01R5L1                  | 1,00     |            |    | --    |
| 0015   | VTRS04931 | 00004931  | WASHER COPPER D.13X19X1.5                 | 1,00     |            |    | --    |
| 0016   | RCDS00626 | 00000626  | HOSE FITTING 1/4 M D. 5- 7                | 1,00     |            |    | --    |
| 0017   | FSVR00427 | 00000427  | CLAMP D. 12 CLIC 66-110                   | 2,00     | 01/01/2017 |    | --    |
| 0018   | TBCO06945 | 00006945  | L.P. HOSE D. 6-12 10BAR C.PRESS           | 0,32     |            |    | --    |
| 0018   | TBCO06945 | 00006945  | L.P. HOSE D. 6-12 10BAR C.PRESS           | 0,17     |            |    | --    |
| 0019   | FSVR11197 | 00011197  | CLAMP D.12.9-13.6                         | 2,00     |            |    | --    |
| 0020   | FTCO10912 | 00010912  | FILTER FB 13/T NYL.                       | 1,00     |            |    | --    |
| 0021   | RCVR14014 | 00014014  | BI-CONE CONNEC. DTT 1/8" M B1 D. 2/ 4 NIK | 1,00     |            |    | --    |
| 0022   | MECB46130 | 00046130  | CABLE DLT L=1100                          | 1,00     |            |    | --    |
| 0024   | LAFN48321 | 00048321  | SPACER D. 24.5-30 L= 6.5 ZC               | 1,00     |            |    | --    |
| 0025   | RCVR34780 | 00034780  | ELBOW 1/8" M/F A10                        | 1,00     | 01/03/2015 |    | --    |
| 0026   | RCVR89230 |           | CAP G 1/8 M C/O-RING.                     | 1,00     | 01/03/2015 |    | --    |



| Ref. K | Part n.   | Part n. 2 | Description                           | Quantity | Validity   |            | Price |
|--------|-----------|-----------|---------------------------------------|----------|------------|------------|-------|
|        |           |           |                                       |          | From       | To         |       |
| C      | MECO31458 | 00031458  | CAPACITOR 70 MF 450V M8 50X118        | 1,00     |            |            | --    |
| K      | METT40010 |           | CONTACTOR SIE 3RT 2017-1AB01 24V      | 1,00     | 01/10/2014 |            | --    |
| K      | METT43990 | 00043990  | CONTACTOR SIE 3RT 1017 1AB01 5/60HZ   | 1,00     |            | 30/09/2014 | --    |
| P      | MEPF76254 | 00076254  | PRESSURE SWITCH PR 5 1/4M 25BAR       | 1,00     |            |            | --    |
| EC     | MECE40022 |           | PCB PW-H35 TSI+CO+VRT 3.0             | 1,00     |            |            | --    |
| EV     | MEBE43704 | 00043704  | COIL DNF 24-50                        | 1,00     |            |            | --    |
| IG     | MECI40020 |           | SWITCH BRM BP. 0-1 12A                | 1,00     |            |            | --    |
| TA     | METR88630 |           | TRANSFORMER 23/240V-5/60HZ 2X26KV TR. | 1,00     |            |            | --    |
| TH     | METK40011 |           | THERMOSTAT 0-150° L=1500 F&C          | 1,00     |            |            | --    |
| TR     | METR40012 |           | TRANSFORMER 25VA 230-400/24 5/60HZ FS | 1,00     |            |            | --    |
| TS     | METK40007 |           | THERMOSTAT 65°C NSP-040 PT RIPR.      | 1,00     |            |            | --    |
| CV1    | MECB27734 | 00027734  | CABLE H07 RNF 3X1.5 L=6.500           | 1,00     |            |            | --    |



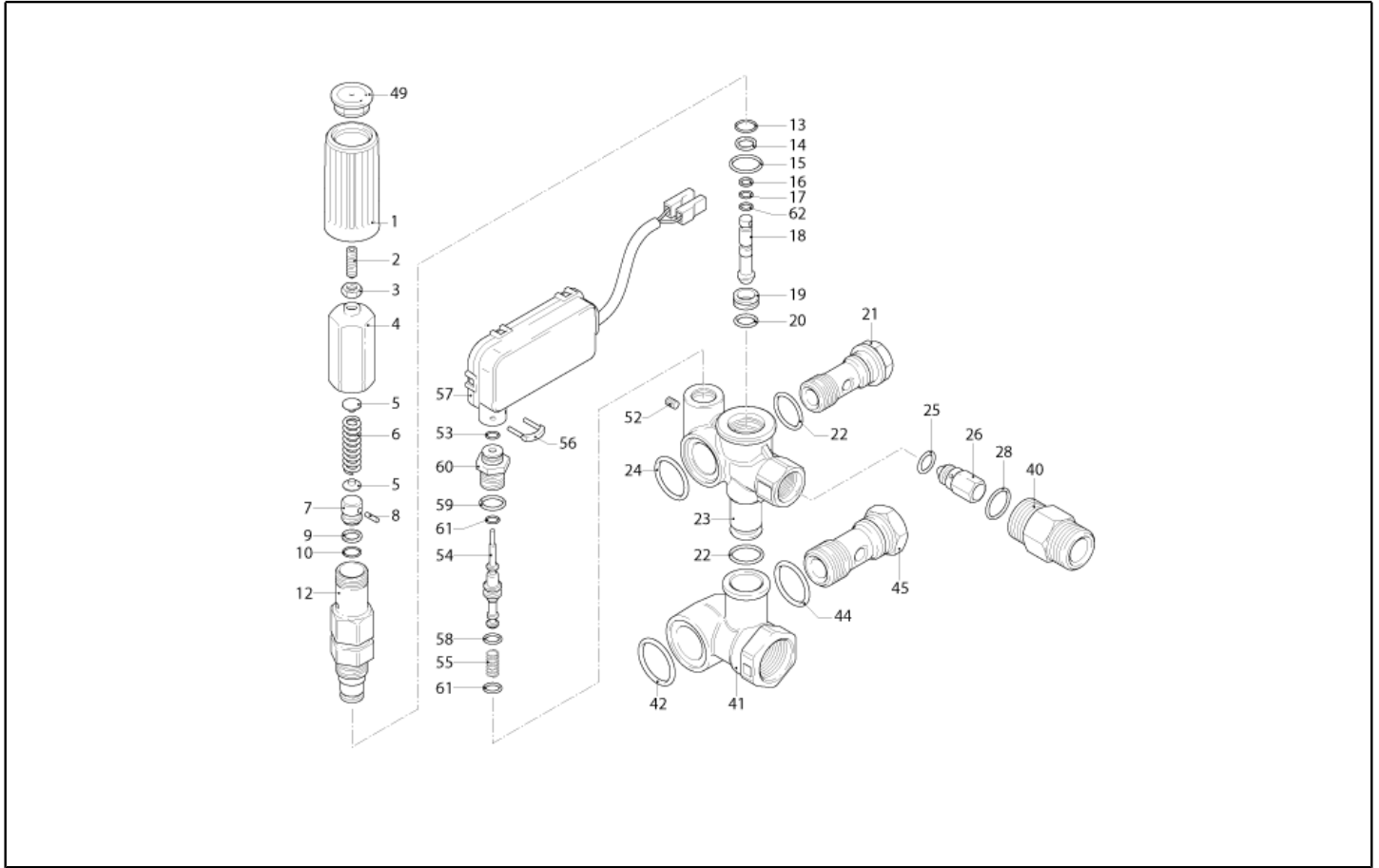
| Ref. K | Part n.     | Part n. 2 | Description                      | Quantity | Validity   |            | Price |
|--------|-------------|-----------|----------------------------------|----------|------------|------------|-------|
|        |             |           |                                  |          | From       | To         |       |
| 0001   | PVVR40120   |           | CAP AR RC                        | 6,00     |            |            | --    |
| 0002   | GUGO03505   | 00003505  | O-RING D. 15.6 X 1.78 NBR 70SH   | 6,00     |            |            | --    |
| 0003   | S VVAM40002 |           | VALVE UNIT RC                    | 3,00     |            |            | --    |
| 0004   | VTVT06236   | 00006236  | SCREW TCCE UNI 5931 6X40 ZB      | 8,00     |            |            | --    |
| 0005   | VTRS01077   | 00001077  | WASHER D. 6,4X10X0,7             | 8,00     |            |            | --    |
| 0006   | MFVR40019   |           | HEAD AR RC OT.                   | 1,00     |            |            | --    |
| 0007   | GUGO19245   | 00019245  | O-RING D. 17.5 X 2 NBR 70SH      | 1,00     |            |            | --    |
| 0008   | PVVR40121   |           | CAP 1/2 M RC                     | 1,00     |            |            | --    |
| 0009   | GUGO09720   | 00009720  | O-RING D. 14 X 1.78 NBR 70SH     | 1,00     |            |            | --    |
| 0010   | PVVR40099   |           | CAP 3/8 M HRM                    | 1,00     |            |            | --    |
| 0011   | S PVVR40122 |           | HEAD RING D. 18 RC               | 3,00     |            |            | --    |
| 0012   | S GUVR40035 |           | PACKING D. 18 RC H.P.            | 3,00     |            |            | --    |
| 0013   | PVVR40123   |           | INTERMED. RING D. 18 RC          | 3,00     |            |            | --    |
| 0014   | S GUVR40036 |           | PACKING D. 18 RC L.P.            | 3,00     |            |            | --    |
| 0015   | S GUVR40037 |           | ANTI-EXTR.RING D.21              | 3,00     |            |            | --    |
| 0016   | S GUGO19290 | 00019290  | O-RING D. 23.52 X 1.78 NBR 70SH  | 3,00     |            | 31/03/2014 | --    |
| 0016   | S GUGO08182 | 00008182  | O-RING D. 21.91 X 1.78 NBR 70SH  | 3,00     | 01/04/2014 |            | --    |
| 0017   | PVVR40124   |           | PACKING RETAIN. D. 18 RC         | 3,00     |            |            | --    |
| 0018   | MFVR40020   |           | PUMP CRANKCASE AR RC             | 1,00     |            | 31/03/2014 | --    |
| 0018   | MFVR40027   |           | PUMP CRANKCASE AR RCS            | 1,00     | 01/04/2014 |            | --    |
| 0019   | CUVR28336   | 00028336  | BALL BEARING 6304                | 1,00     |            |            | --    |
| 0020   | VTAE09661   | 00009661  | CIRCLIP D. 52 UNI 7437           | 1,00     |            |            | --    |
| 0021   | VTAE06193   | 00006193  | CIRCLIP D. 20 UNI 7435           | 1,00     |            |            | --    |
| 0022   | GUGO02561   | 00002561  | O-RING D. 47.3 X 2.62 NBR 70SH   | 1,00     |            |            | --    |
| 0023   | PVVR40125   |           | DISC RC                          | 1,00     |            |            | --    |
| 0024   | PVVR40126   |           | OIL INDICATOR RC                 | 1,00     |            |            | --    |
| 0025   | MFVR40021   |           | CRANKCASE COVER AR RC LT.        | 1,00     |            |            | --    |
| 0026   | VTVT01531   | 00001531  | SCREW TE 6X 16 UNI 5739          | 4,00     |            |            | --    |
| 0027   | PVVR19231   | 00019231  | OIL CAP XTS                      | 1,00     |            | 31/03/2014 | --    |
| 0027   | PVVR40436   |           | OIL CAP RC                       | 1,00     | 01/04/2014 |            | --    |
| 0028   | VTDD00483   | 00000483  | NUT M 8 ZIN UNI 5588             | 3,00     |            |            | --    |
| 0029   | VTRS19394   | 00019394  | WASHER D. 8X13X0,5               | 3,00     |            |            | --    |
| 0030   | S PIVR40005 |           | PISTON D.18X30 RC                | 3,00     |            |            | --    |
| 0031   | PVVR19233   | 00019233  | DISC XTS                         | 3,00     |            |            | --    |
| 0032   | S GUGO09690 | 00009690  | OIL SEAL 15X 24X 5 NBR70         | 3,00     |            |            | --    |
| 0033   | GUGO08071   | 00008071  | O-RING D. 4.48 X 1.78 NBR 70SH   | 3,00     |            |            | --    |
| 0034   | PVVR40127   |           | PISTON GUIDE RC                  | 3,00     |            |            | --    |
| 0035   | BLVR40001   |           | CONNECTING ROD RC                | 3,00     |            |            | --    |
| 0036   | PVVR40128   |           | GUIDGEON D. 9X23 RC              | 3,00     |            |            | --    |
| 0037   | GUGO18695   | 00018695  | O-RING D. 101.27 X 2.62 NBR 70SH | 1,00     |            |            | --    |
| 0038   | MFVR40022   |           | CRANKCASE COVER AR RC            | 1,00     |            |            | --    |
| 0039   | GUGO1036    | 00001036  | O-RING D. 10.82 X 1.78 NBR 70SH  | 1,00     |            |            | --    |
| 0040   | PVVR40129   |           | CAP 1/4 M RC                     | 1,00     |            |            | --    |
| 0041   | VTVT09913   | 00009913  | SCREW TCEI 6X16 UNI5931          | 4,00     |            |            | --    |



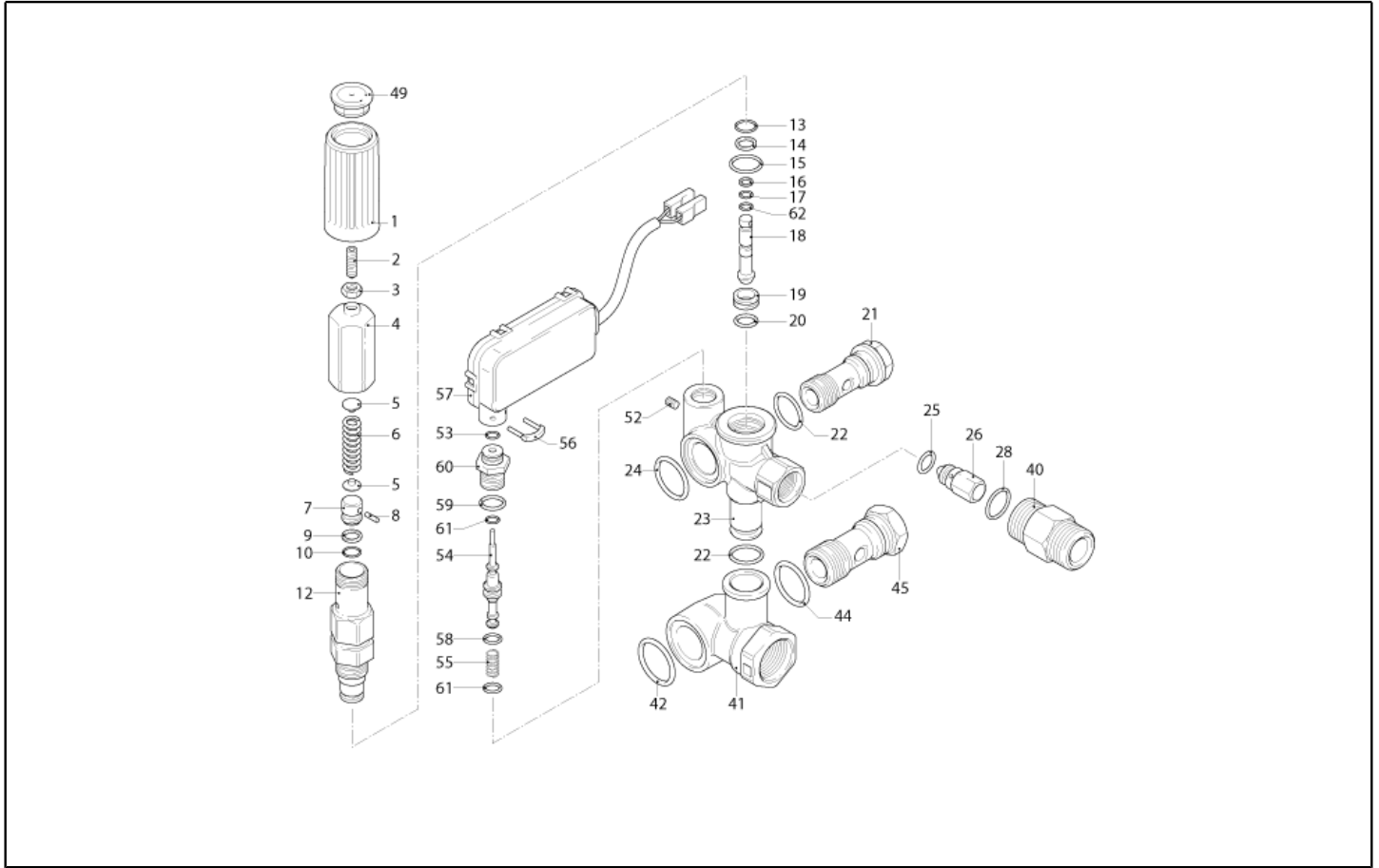
| Ref. K | Part n.     | Part n. 2 | Description              | Quantity | Validity   |    | Price |
|--------|-------------|-----------|--------------------------|----------|------------|----|-------|
|        |             |           |                          |          | From       | To |       |
| 0042   | ALMO40027   |           | SHAFT AR RC 10LT VRS. ND | 1,00     |            |    | --    |
| 0043   | VTVR41531   | 00041531  | KEY 8X 7X35 UNI 6604A    | 1,00     |            |    | --    |
| 0044   | CUVR23636   | 00023636  | ROLLER BEARING HK 4516   | 1,00     |            |    | --    |
| 0045   | S GUGO00999 | 00000999  | OIL SEAL 25X 52X 7 NBR70 | 1,00     |            |    | --    |
| 0050   | S VVAM40007 |           | VALVE UNIT RC ASP. BK    | 3,00     |            |    | --    |
| 0051   | PVVR40437   |           | RING D. 51.8 X0.5        | 1,00     | 01/04/2014 |    | --    |



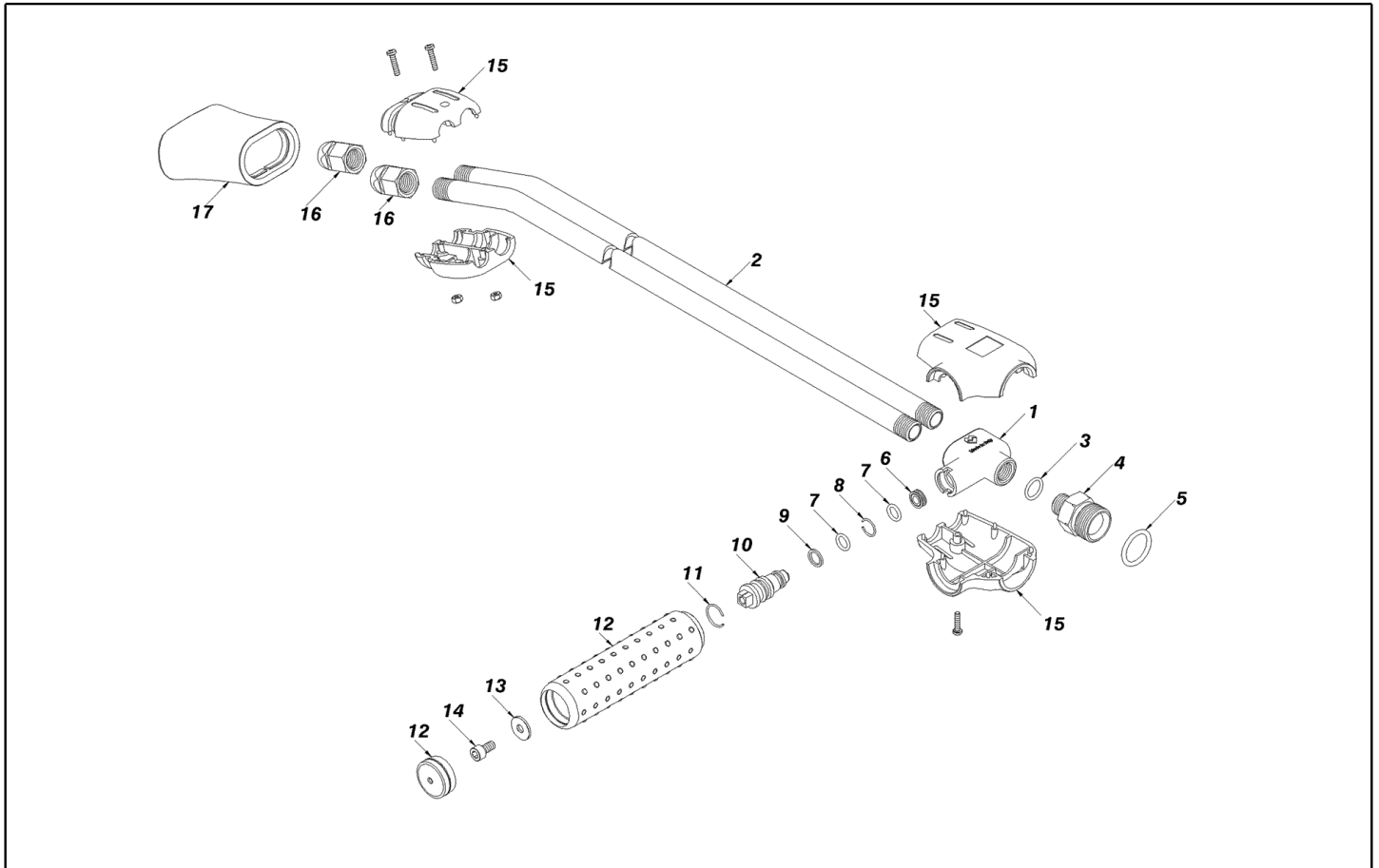
| Ref. Part n. | Cust. part n. | Description                   | Reference           | Price |
|--------------|---------------|-------------------------------|---------------------|-------|
| KTRI40093    |               | KIT P 15-42917 RC             | 0030                | --    |
| KTRI40094    |               | KIT P 15-42919 D.18 RC        | 0012 0014 0015 0016 | --    |
| KTRI40095    |               | KIT P 15-42903 D.18 RC        | 0011                | --    |
| KTRI40096    |               | KIT P 15-42918 RC             | 0032 0045           | --    |
| KTRI40207    |               | KIT P 15-42914 RC 3+3 BL./WH. | 0003 0050           | --    |



| Ref. K | Part n.     | Part n. 2 | Description                            | Quantity | Validity |    | Price |
|--------|-------------|-----------|--|----------|----------|----|-------|
|        |             |           |  |          | From     | To |       |
| 0001   | MPVR40162   |           | KNOB AR XJS                            | 1,00     |          |    | --    |
| 0002   | VTVT19524   | 00019524  | SCREW EI-ST 6X16 UNI 5923              | 1,00     |          |    | --    |
| 0003   | VTDD00482   | 00000482  | NUT M 6 ZIN UNI 5588                   | 1,00     |          |    | --    |
| 0004   | PVVR40066   |           | REGISTER AR XJS                        | 1,00     |          |    | --    |
| 0005   | PVVR40067   |           | SPRING PLATE AR XJS                    | 2,00     |          |    | --    |
| 0006   | MLML40007   |           | SPRING D. 10.8X48.9 D.2.8 XJS          | 1,00     |          |    | --    |
| 0007   | S PVVR40068 |           | SMALL PISTON AR XJS SP.                | 1,00     |          |    | --    |
| 0008   | S VTVR19193 | 00019193  | PLUG D. 2.5X10                         | 1,00     |          |    | --    |
| 0009   | S GUVR40026 |           | ANTI-EXTR.RING D. 8                    | 1,00     |          |    | --    |
| 0010   | S GUGO40179 | 00040179  | O-RING D. 8 X 2 NBR 70SH               | 1,00     |          |    | --    |
| 0012   | S PVVR40385 |           | PISTON GUIDE AR XJS 2V.                | 1,00     |          |    | --    |
| 0013   | S GUGO09720 | 00009720  | O-RING D. 14 X 1.78 NBR 70SH           | 1,00     |          |    | --    |
| 0014   | S GUGO12490 | 00012490  | O-RING D. 8.74 X 1.78 NBR 70SH         | 1,00     |          |    | --    |
| 0015   | S GUGO02259 | 00002259  | O-RING D. 15.54 X 2.62 NBR 70SH        | 1,00     |          |    | --    |
| 0016   | S GUVR40027 |           | ANTI-EXTR.RING D. 3.7                  | 1,00     |          |    | --    |
| 0017   | S GUGO19189 | 00019189  | O-RING D. 2.90 X 1.78 NBR 70SH         | 4,00     |          |    | --    |
| 0018   | S PVVR40070 |           | CONTROL PISTON AR XJS IF.              | 1,00     |          |    | --    |
| 0019   | S PVVR40071 |           | VALVE SEAT AR XJS                      | 1,00     |          |    | --    |
| 0020   | S GUGO41692 | 00041692  | O-RING D. 9 X 1 NBR 70SH               | 1,00     |          |    | --    |
| 0021   | RCDS40068   |           | SCREW G 3/8 M.MATIC 4/B OT.            | 1,00     |          |    | --    |
| 0022   | GUGO01047   | 00001047  | O-RING D. 11.91 X 2.62 NBR 70SH        | 2,00     |          |    | --    |
| 0023   | PVVR40134   |           | VALVE BODY M.MATIC 4/B TSS             | 1,00     |          |    | --    |
| 0024   | GUGO19395   | 00019395  | O-RING D. 20.24 X 2.62 NBR 70SH        | 1,00     |          |    | --    |
| 0025   | S GUGO12494 | 00012494  | O-RING D. 4 X 2.5 -NBR 70SH            | 1,00     |          |    | --    |
| 0026   | S PVVR40074 |           | COUPLING N.RIT. XJS                    | 1,00     |          |    | --    |
| 0028   | S GUGO11652 | 00011652  | O-RING D. 12.42 X 1.78 NBR 70SH        | 1,00     |          |    | --    |
| 0040   | RCDS40069   |           | NIPPLE G 3/8 M.MATIC 4/B               | 1,00     |          |    | --    |
| 0041   | PVVR40131   |           | CONNECTOR M.MATIC 4/B                  | 1,00     |          |    | --    |
| 0042   | GUGO76542   | 00076542  | O-RING D. 23.47 X 2.62 NBR 70SH        | 1,00     |          |    | --    |
| 0044   | GUGO01058   | 00001058  | O-RING D. 17.17 X 1.78 NBR 70SH        | 1,00     |          |    | --    |
| 0045   | RCDS40070   |           | SCREW G 1/2 M.MATIC 4/B                | 1,00     |          |    | --    |
| 0049   | MPVR40163   |           | CAP AR XJS                             | 1,00     |          |    | --    |
| 0052   | VTVT40019   |           | SCREW M 3X 5 EI-ST UNI 5923            | 1,00     |          |    | --    |
| 0053   | GUGO19207   | 00019207  | O-RING D. 1.78 X 1.78 NBR 70SH         | 1,00     |          |    | --    |
| 0054   | PVVR40136   |           | CONTROL PISTON AR TSS M.MTC            | 1,00     |          |    | --    |
| 0055   | MLML40017   |           | SPRING D. 8.7 X15.9 D.1.2              | 1,00     |          |    | --    |
| 0056   | LAFN40212   |           | PLUG "U" AR TSS                        | 1,00     |          |    | --    |
| 0057   | MEPF40013   |           | PRESSURE SWITCH AR TSS 220V N.A. L.900 | 1,00     |          |    | --    |
| 0058   | GUGO12489   | 00012489  | O-RING D. 6.07 X 1.78 NBR 70SH         | 1,00     |          |    | --    |
| 0059   | GUGO03496   | 00003496  | O-RING D. 9.25 X 1.78 NBR 70SH         | 1,00     |          |    | --    |
| 0060   | PVVR40137   |           | PISTON GUIDE AR TSS M.MATIC            | 1,00     |          |    | --    |
| 0061   | GUGO19189   | 00019189  | O-RING D. 2.90 X 1.78 NBR 70SH         | 2,00     |          |    | --    |
| 0062   | S GUGO40031 |           | O-RING D. 3.68 X 1.78 NBR 90SH         | 1,00     |          |    | --    |

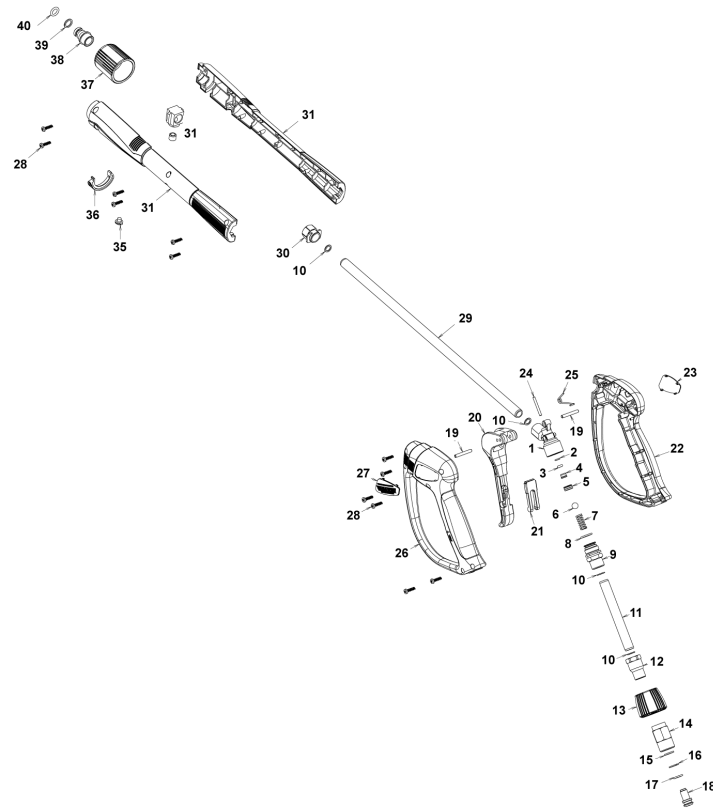


| Ref. Part n. | Cust. part n. | Description                    | Reference  | Price |
|--------------|---------------|--------------------------------|--|-------|
| KTRI40128    |               | KIT P 14-101 M.MATIC 4/B CK.V. | 0025 0026 0028   | --    |
| KTRI40127    |               | KIT P 14-100 M.MATIC 4/B       | 0007 0008 0009 0010 0012 0013 0014 0015 0016 0017<br>0018 0019 0020 0062 | --    |



| Ref. K | Part n.   | Part n. 2 | Description                     | Quantity | Validity   |            | Price |
|--------|-----------|-----------|---------------------------------|----------|------------|------------|-------|
|        |           |           |                                 |          | From       | To         |       |
| 0001   | RCGR40000 |           | TAP BODY L.DOP. 1/4" MV INX     | 1,00     |            |            | --    |
| 0002   | LCPR40000 |           | TUBE 1/4 L=700 CROM.            | 2,00     |            | 30/11/2009 | --    |
| 0002   | LCPR40107 |           | TUBE 1/4 L=700 INX.             | 2,00     | 01/12/2009 |            | --    |
| 0003   | GUGO19194 | 00019194  | O-RING D. 11.11 X 1.78 NBR 70SH | 1,00     |            | 30/09/2010 | --    |
| 0003   | VTRS04931 | 00004931  | WASHER COPPER D.13X19X1.5       | 1,00     | 01/10/2010 |            | --    |
| 0004   | RCIN46781 | 00046781  | MALE COUPLING MV 1/4 -M 22 M    | 1,00     |            |            | --    |
| 0005   | GUGO01056 | 00001056  | O-RING D. 18.72 X 2.62 NBR 70SH | 1,00     |            |            | --    |
| 0006   | PVVR40019 |           | BUSHING MV LD                   | 1,00     |            |            | --    |
| 0007   | GUGO06988 | 00006988  | O-RING D. 7.66 X 1.78 NBR 70SH  | 2,00     |            |            | --    |
| 0008   | PVVR40020 |           | CIRCLIP LD MV D. 8              | 1,00     |            |            | --    |
| 0009   | GUGO40002 |           | ANTI-EXTR.RING D. 8 NBR         | 1,00     |            |            | --    |
| 0010   | PVVR40021 |           | REGULAT. SCREW LD MV INX        | 1,00     |            |            | --    |
| 0011   | PVVR46783 | 00046783  | CIRCLIP LD MV                   | 1,00     |            |            | --    |
| 0012   | PVVR46784 | 00046784  | KNOB LD MV +CAP                 | 1,00     |            |            | --    |
| 0013   | VTRS15958 | 00015958  | WASHER UNI 6592 5X15X1,5 ZB     | 1,00     |            |            | --    |
| 0014   | VTVT17639 | 00017639  | SCREW TCEI M 5X10 UNI 5931      | 1,00     |            |            | --    |
| 0015   | MPVR46786 | 00046786  | PROTECTION LD/TB MV             | 1,00     |            |            | --    |
| 0016   | RCVR46787 | 00046787  | NOZZLE HOLDER 1/4-1/4 F MV      | 12,00    |            |            | --    |
| 0017   | PVVR46788 | 00046788  | PROTECTION LD MV                | 1,00     |            |            | --    |





| Ref. K | Part n.   | Part n. 2 | Description                    | Quantity                        | Validity |    | Price |
|--------|-----------|-----------|--------------------------------|---------------------------------|----------|----|-------|
|        |           |           |                                |                                 | From     | To |       |
| 0001   | PVVR40381 |           | GUN BODY G 5100 G1/4F          | 1,00                            |          |    | --    |
| 0002   | S         | GUVR40074 | ANTI-EXTR.RING D. 3 X 7.4X1.3  | 1,00                            |          |    | --    |
| 0003   | S         | GUGO21835 | 00021835                       | O-RING D. 2.84 X 2.62 VIT. 80SH | 1,00     |    | --    |
| 0004   | PVVR40382 |           | PISTON GUIDE G 5100            | 1,00                            |          |    | --    |
| 0005   | S         | PVVR40112 | BALL SEAT G 5000               | 1,00                            |          |    | --    |
| 0006   | S         | SFVR40002 | BALL D.11/32" ALL GR16         | 1,00                            |          |    | --    |
| 0007   | MLML40016 |           | SPRING D. 9.4 x21.5x1.6 G5000  | 1,00                            |          |    | --    |
| 0008   | GUGO12322 | 00012322  | O-RING D. 14 X 1.78 NBR 90SH   | 1,00                            |          |    | --    |
| 0009   | PVVR40383 |           | CONNECTOR COLL.G5100 1/4F      | 1,00                            |          |    | --    |
| 0010   | VTRS40017 |           | WASHER D. 8.2X11,4X1.00        | 4,00                            |          |    | --    |
| 0011   | PVVR40384 |           | TUBE G 1/4" L.105              | 1,00                            |          |    | --    |
| 0012   | RCIN40022 |           | CONNECTOR SWIV G5100 1/4F      | 1,00                            |          |    | --    |
| 0013   | MPVR40819 |           | RING NUT G 5100 SW. BK.        | 1,00                            |          |    | --    |
| 0014   | RCIN40021 |           | JOINT SWIV 5100 M22            | 1,00                            |          |    | --    |
| 0015   | S         | GUVR40075 | ANTI-EXTR.RING D. 10 X14X1.5   | 1,00                            |          |    | --    |
| 0016   | S         | GUVR40076 | ANTI-EXTR.RING D. 11.2X14X1.2  | 1,00                            |          |    | --    |
| 0017   | S         | GUGO15295 | 00015295                       | O-RING D. 10.82 X 1.78 VIT 75SH | 1,00     |    | --    |
| 0018   | PVVR40386 |           | SCREW SW. G 5100               | 1,00                            |          |    | --    |
| 0019   | VTVR40047 |           | PLUG D. 4X29                   | 2,00                            |          |    | --    |
| 0020   | MPVR40820 |           | TRIGGER G 6000-SW              | 1,00                            |          |    | --    |
| 0021   | MPVR40821 |           | SAFETY-DEVICE G 6000-SW        | 1,00                            |          |    | --    |
| 0022   | MPVR40822 |           | SHELL G 6000-SW DX             | 1,00                            |          |    | --    |
| 0023   | MPVR40823 |           | PLATE G 6000 GR.DX             | 1,00                            |          |    | --    |
| 0024   | PVVR40387 |           | SMALL PISTON G 5100            | 1,00                            |          |    | --    |
| 0025   | MLML40029 |           | SPRING G 5100                  | 1,00                            |          |    | --    |
| 0026   | MPVR40824 |           | SHELL G 6000-SW SX             | 1,00                            |          |    | --    |
| 0027   | MPVR40825 |           | PLATE G 6000 GR.SX             | 1,00                            |          |    | --    |
| 0028   | VTVT40043 |           | SCREW AF 4X 14 HILO ZN.N       | 12,00                           |          |    | --    |
| 0029   | LCPR40086 |           | TUBE 1/4 L=420 ZC. 0°          | 1,00                            |          |    | --    |
| 0030   | MPVR40493 |           | CONNECTOR G 5100-SW            | 1,00                            |          |    | --    |
| 0031   | MPVR40494 |           | PROTECTION P 420 C/AN.         | 1,00                            |          |    | --    |
| 0035   | MPVR40198 |           | CAP G 5000                     | 1,00                            |          |    | --    |
| 0036   | MPVR40495 |           | CAP G 5100 REM.                | 1,00                            |          |    | --    |
| 0037   | PVVR40119 |           | CONNECTION M22X1,5 IRV G5000   | 1,00                            |          |    | --    |
| 0038   | RCIN40009 |           | GUDGEON G 1/4 F IRV G5000      | 1,00                            |          |    | --    |
| 0039   | GUVR40034 |           | ANTI-EXTR.RING D. 10 X14       | 1,00                            |          |    | --    |
| 0040   | GUGO01946 | 00001946  | O-RING D. 9.13 X 2.62 VIT 70SH | 1,00                            |          |    | --    |



| Ref. Part n. | Cust. part n. | Description                | Reference           | Price |
|--------------|---------------|----------------------------|---------------------|-------|
| KTRI40243    |               | KIT P 26- 26 SWIVEL G 5100 | 0015 0016 0017      | --    |
| KTRI40414    |               | KIT P 26- 34 G 6000        | 0002 0003 0005 0006 | --    |