



**IPC**

**Spare parts list**

Ref: ASDO10971

Cust.ref: 315/12CE

Model: TOPPER SPOT 303 TC W/ACC FOMA

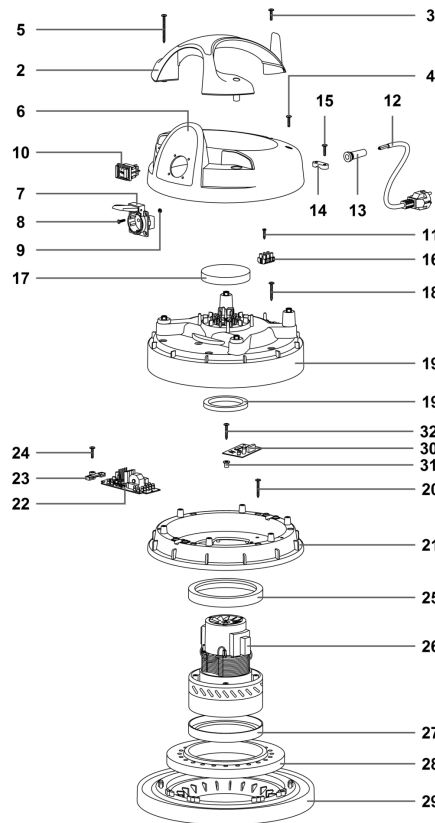
Cust.model: 131925



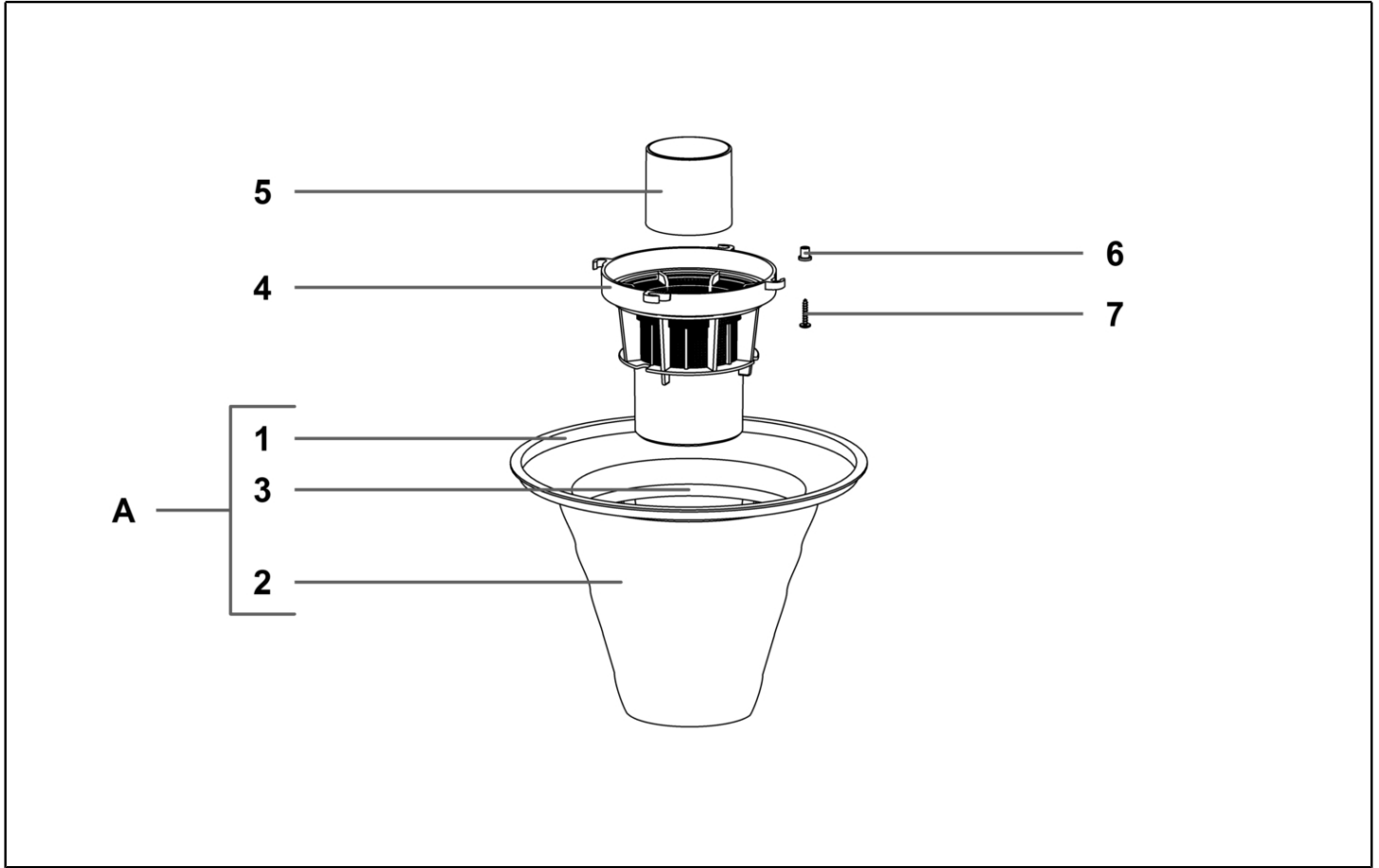
IPC Integrated Professional Cleaning

**IPC Soteco**

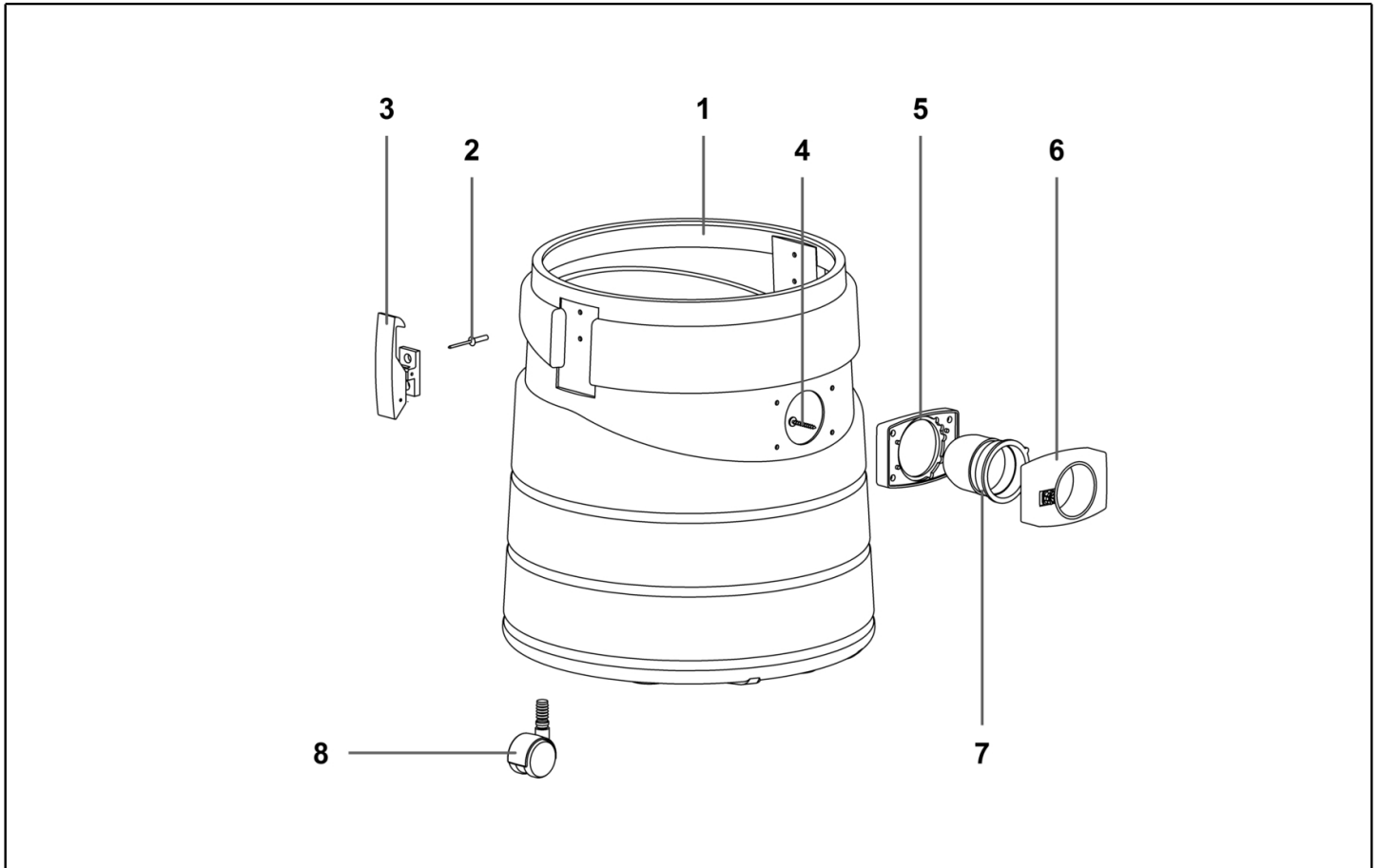
Ref. K	Part n.	Part n. 2	Description	Quantity	Validity		Price
					From	To	
0001	PMTA01743		TOPPER HEAD 503 2ST W/OUT PL TC STD	1,00			--
0002	KTRI04088		FILTERING KIT 500 CONICO SAN.COMPL.	1,00			--
0003	PMFU01146		BIG PLASTIC TANK D60 BLACK G6/GREEN	1,00			--
0004	PMDT00615			1,00			--



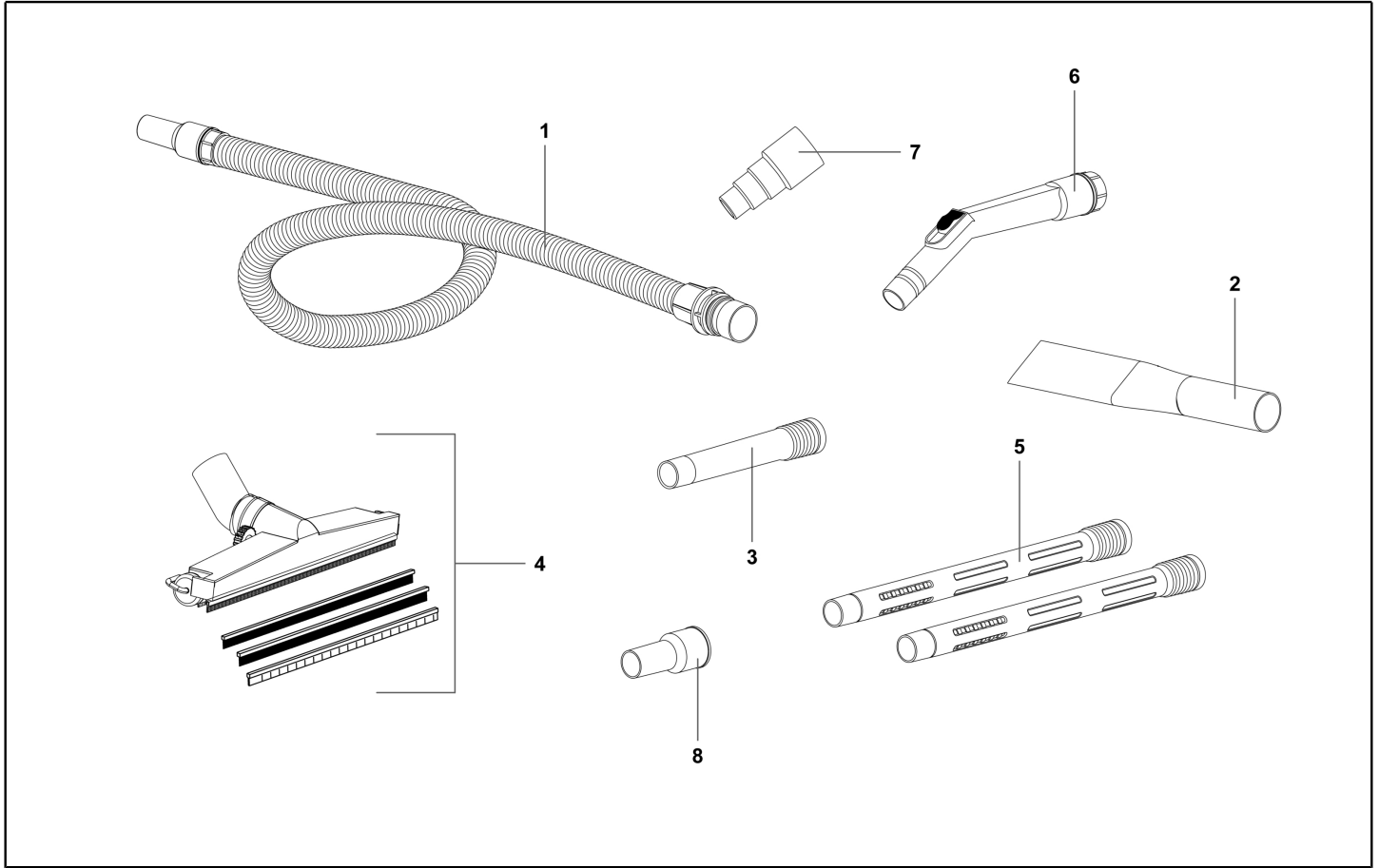
Ref. K	Part n.	Part n. 2	Description	Quantity	Validity		Price
					From	To	
*	FSVR00127		CLAMP	1,00			--
*	MECB01677		CONN.WIRE M.350-G/V-SP9-SP9-S1,5	1,00			--
*	MEVR02225		FASTON COVER FOR ART.01103/C	2,00			--
*	MECB01829		WIRING 40CM MOT. POKE-IN-TP 1200	1,00			--
0001	MPVR08275		HANDLE TOPPER 500 GREEN IPC	1,00			--
0002	VTVT71961		SCREW PFU TMT PHL 5X20 ZN NERA	1,00			--
0003	VTVT71961		SCREW PFU TMT PHL 5X20 ZN NERA	2,00			--
0004	VTVT40007		SCREW PAT TMT PHL 5X55 BLACK	2,00			--
0005	PMVR04796		COVER TOPPER 500 G6 X F/SCHUKO	1,00			--
0006	MEVR38061		SCHUKO ADD.SOCKET W/PROTECTION	1,00			--
0007	VTVT01184		SCREW TSP CROSS M 4X16 UNI 7688	4,00			--
0008	VTDD00242		NUT 4 M NYLON	4,00	01/02/2019		--
0009	MECI38052		COMMUTATOR ANTISPLASH	1,00			--
0010	VTVT01453		SCREW VITE TC PZ 4.2X16 ZN NERA	1,00	12/04/2018		--
0011	MECB28740		ELECTRIC CORD 3X1,5 MT 8,5	1,00			--
0012	MEVR28673		FAIRLEAD	1,00			--
0013	MPVR28690		CABLE CLAMP	1,00			--
0014	VTVT71961		SCREW PFU TMT PHL 5X20 ZN NERA	1,00			--
0015	MECB01772		TERMINAL BOARD 300-500 3P 4/C RAD	1,00			--
0016	FTDP38064		FILTER MTP/65 H=15 D.95	1,00			--
0017	VTVT71971		SCREW PAT TMT PHL 5X35 BLACK	6,00			--
0018	MPVR12694		GREEN COVER 99 S/FORI VERDE-IPC V2	1,00	12/11/2019		--
0019	MPVR38371		WASHER H8 D85X65	1,00			--
0020	VTVT71971		SCREW PAT TMT PHL 5X35 BLACK	6,00			--
0021	MPVR08415		MOTOR SUPPORT 500 GREY 6000	1,00			--
0022	MECE00799		PCB TELECONTROL 2015 LEG	1,00	23/07/2018		--
0023	LAFN87310		CARD BLOCK BRACKET	2,00			--
0024	VTVT71961		SCREW PFU TMT PHL 5X20 ZN NERA	2,00			--
0025	GUGO28683		"L" GASKET W/O HOLES H=5,5	1,00			--
0026	MOMO00624		MOTOR BD382 1200W 220-240 50/60	1,00			--
0027	GUGO28683		"L" GASKET W/O HOLES H=5,5	1,00			--
0028	FTDP38067		WASHER MTP 65MM 18D 230X145	1,00			--
0029	PMBA00469		BASE 500 W/GASK. GR6000	1,00			--
0030	MECE00676		PCB ANTIDISTURBO TLC 2015	1,00	09/12/2020		--
0031	MPVR09681		BUSHING D.8 PLAST.AU	2,00	09/12/2020		--
0032	VTVT71966		SCREW PAT TMT PHL 5X30 BLACK	1,00	09/12/2020		--



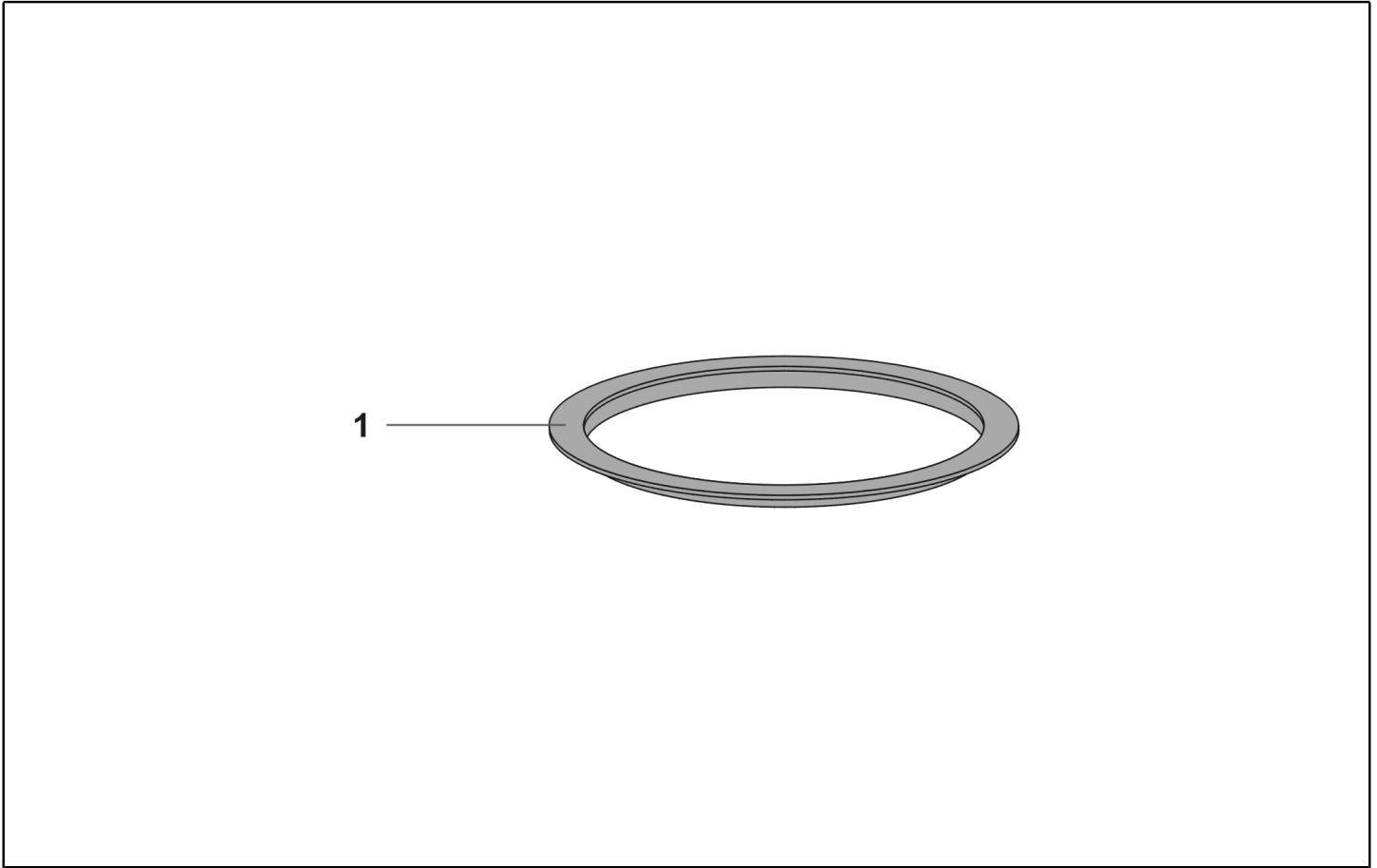
Ref. K	Part n.	Part n. 2	Description	Quantity	Validity		Price
					From	To	
A	KTRI02943		KIT RING+FILT+BASK. 500 C	1,00			--
0001	MPVR36522		FILTER RING 500	1,00			--
0002	FTDP00534		FILTER POLY AN3-500 CON REG H230	1,00			--
0003	MPVR37038		CONICAL BASKET 300	1,00			--
0004	MPVR40521		NET ANTIFOAM BODY HIGH	1,00			--
0005	RCGR40008		HIGH FLOAT 99 W/GASKET 37 SHA	1,00			--
0006	MPVR35796		BUSHING PLASTIC SLEEVE D.8	4,00			--
0007	VTVT36751		SCREW SCREW PAT TMT PHL 5X25	4,00			--



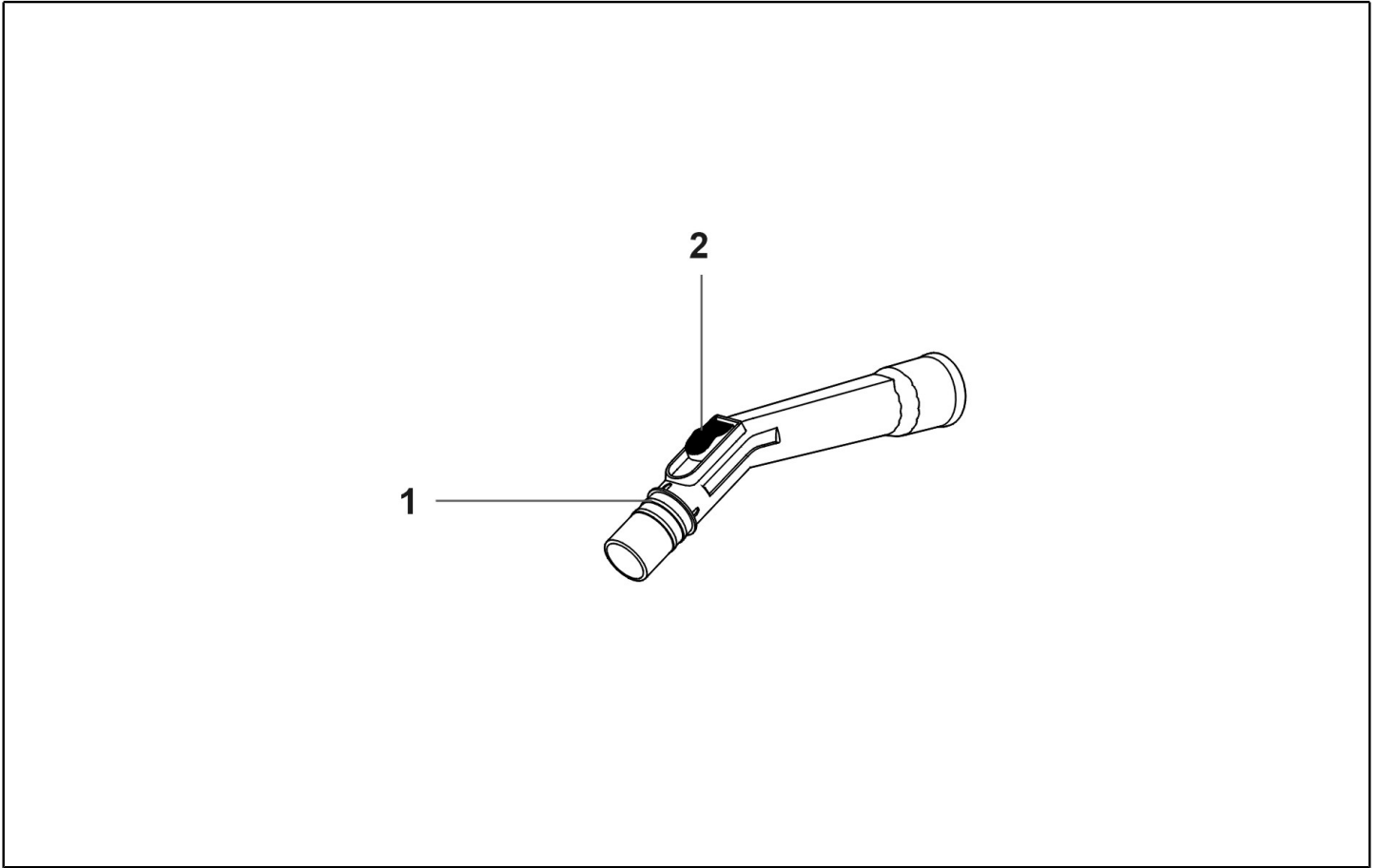
Ref. K	Part n.	Part n. 2	Description	Quantity	Validity		Price
					From	To	
0001	PMVR05010		PLASTIC TANK SPOT/CLIP W/D BLACK	1,00			--
0002	VTVR00340		RIVET 5X24,5	4,00			--
0003	PMVR02871		PLASTIC HOOK COMPL. GR6000	2,00		14/12/2020	--
0003	CHVR28735		COMPLETE PLASTIC HOOK BLACK	2,00	15/12/2020		--
0004	VTVT71971		SCREW PAT TMT PHL 5X35 BLACK	4,00			--
0005	MPVR08681		GASKET R 205 GREY 6000	1,00			--
0006	MPVR09176		PIPE UNION 99/60 PLANE G6/GREE-IPC	1,00			--
0007	MPVR42004		DEFLECTOR 99/60	1,00			--
0008	RTRT42006		TROLLEY BOX WHEEL	6,00			--



Ref. K	Part n.	Part n. 2	Description	Quantity	Validity		Price
					From	To	
0001	TBFX37775		COMPL.FLEX HOSE 38/99 MT.4,5	1,00			--
0002	SPPV72080		CHROME LANCE D.38	1,00			--
0003	PVVR00367		PLAST.EXTENTION D.38 L=250	1,00			--
0004	SPPV29369		COMBINED BRUSH D.38	1,00			--
0005	LAFN43048		EXTENSION FOR VACUUM CLEANER	2,00			--
0006	MPVR43047		EXTENSION CURVED EXTENSION	1,00			--
0007	MPVR40837		COUPLING REDUCTION IMPLEMENT	1,00			--
0008	MPVR28241		PVC ADAPTOR 38/36	1,00			--



Ref. K	Part n.	Part n. 2	Description	Quantity	Validity		Price
					From	To	
0001	MPVR36522		FILTER RING 500	1,00			--
0001	MPVR36522		FILTER RING 500	1,00			--



Ref. K	Part n.	Part n. 2	Description	Quantity	Validity		Price
					From	To	
0001	MPVR10505		CURVE PLAST DIA 38	1,00			--
0002	MPVR06762		PUSH BUTTON AIR REGULATION G5	1,00			--





Ref. K	Part n.	Part n. 2	Description	Quantity	Validity		Price
					From	To	
0001	VTVT36751		SCREW SCREW PAT TMT PHL 5X25	1,00			--
0001	VTVT36751		SCREW SCREW PAT TMT PHL 5X25	1,00			--