

Integrated Professional Cleaning



IPC Foma



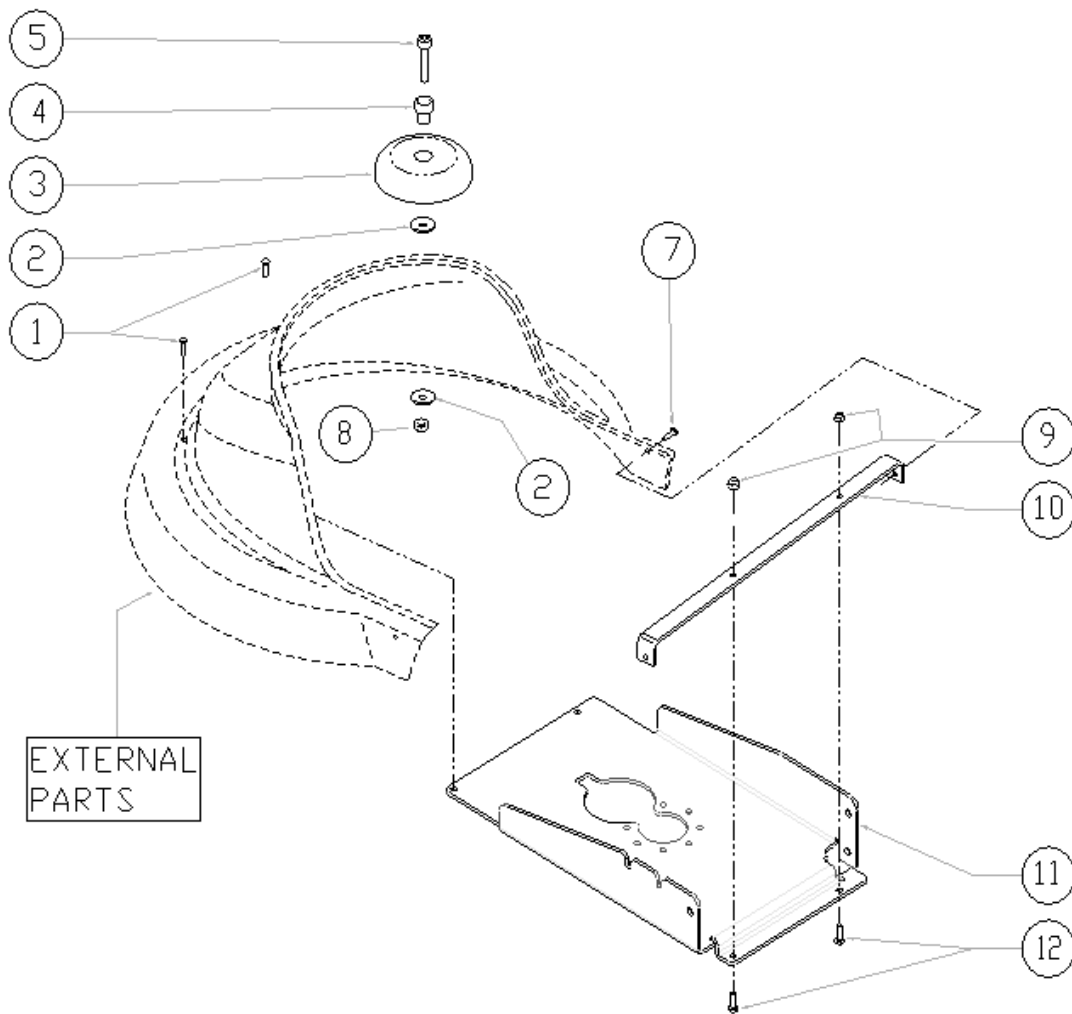
IPC Sverige

Spare Parts List

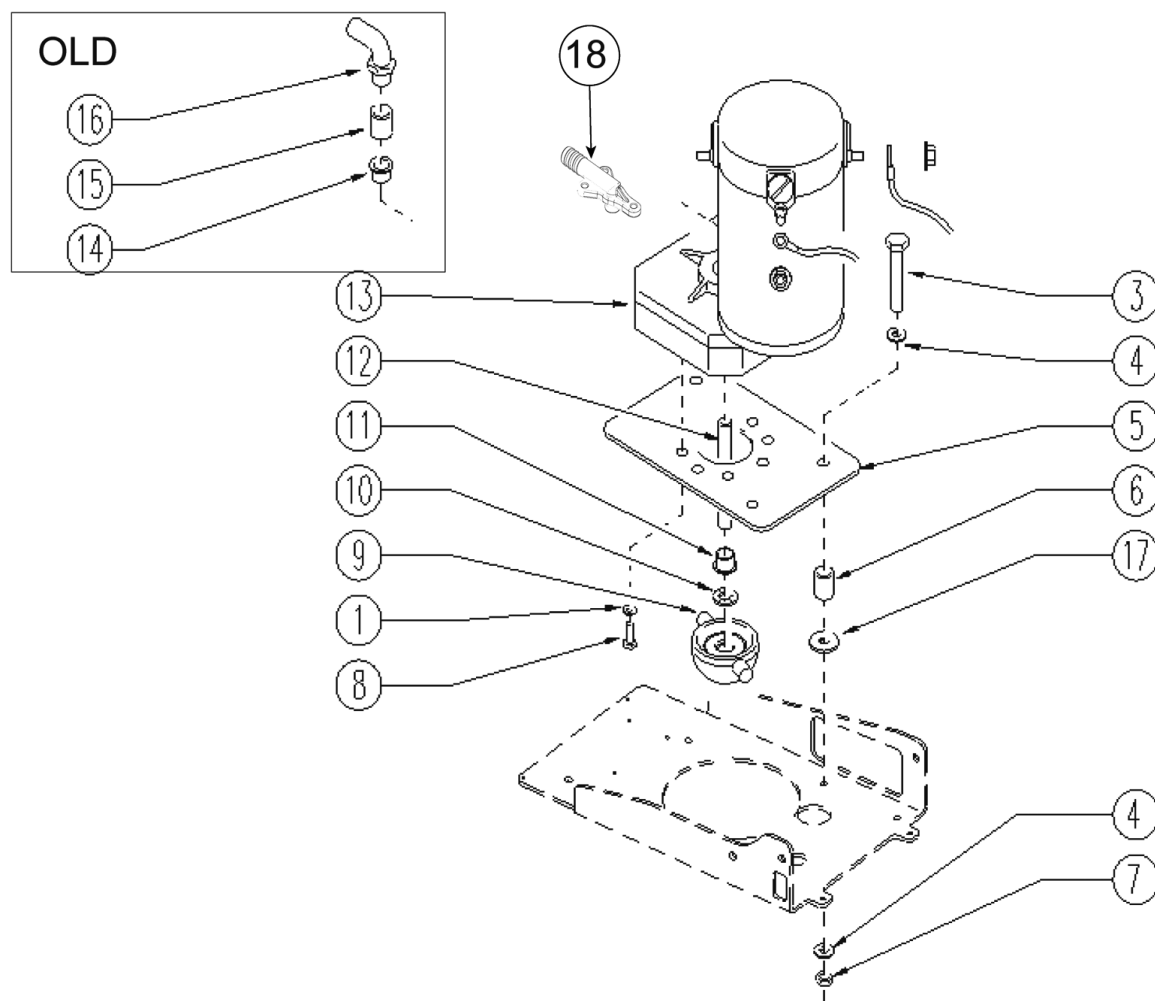
FOMA NORGE AS

Ref: LPTB01466

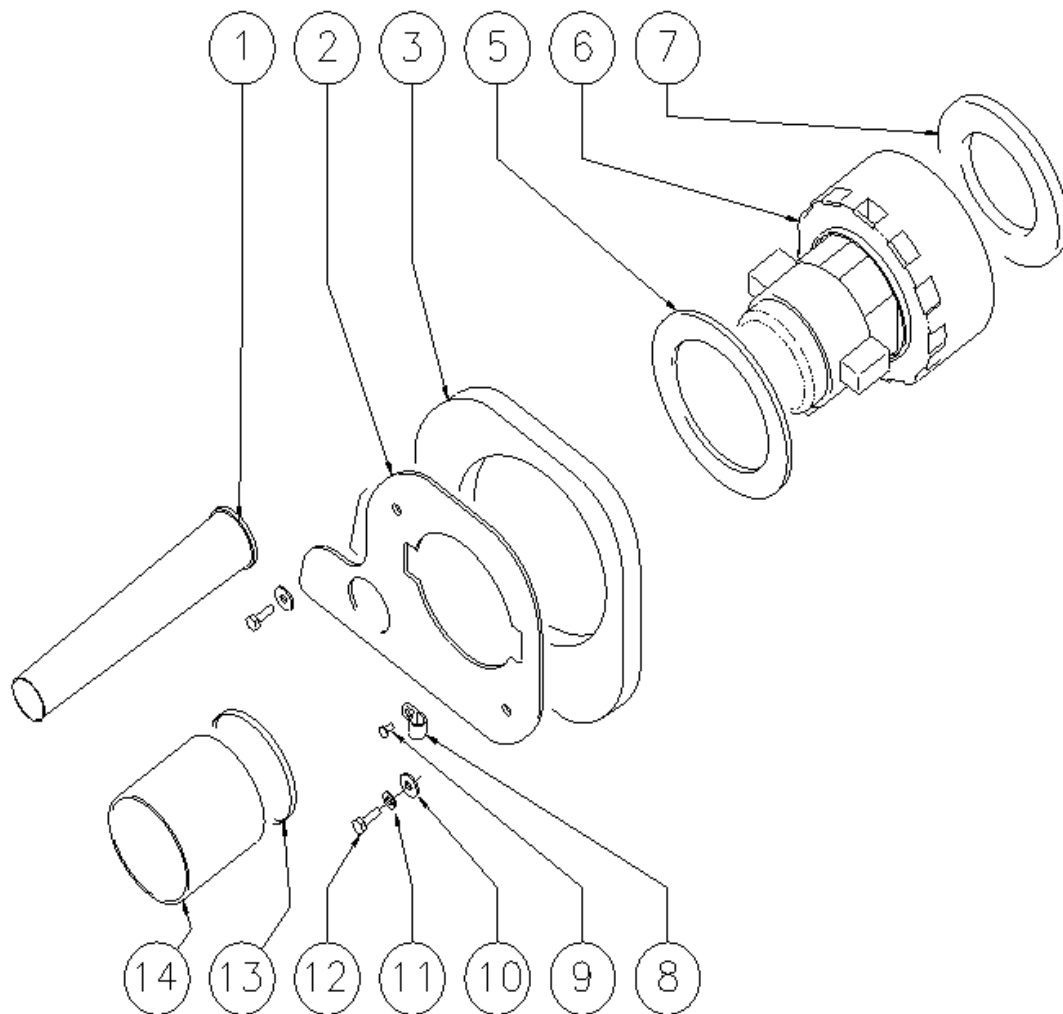
Model: CT70 B50+CB+BAT GR/VE



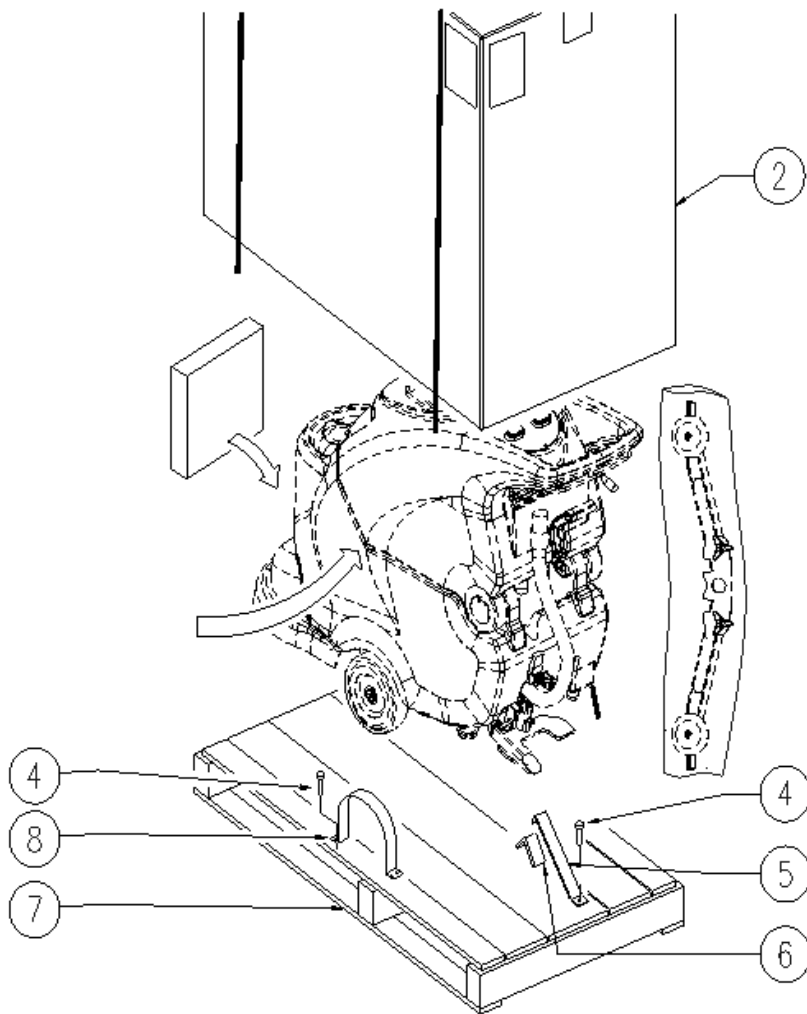
Ref.	K	Part N.	Customer Part N.	Description	Qty	Validity:		Price
						From	To	
0001		VTVT00659		SCREW TC+ M. 4-15	2,00		02/2010	--
0001		VTVT01004		SCREW TC+ M4 X 10 TRILOBATA	2,00	04/2016		--
0001		VTVT01366		SCREW M4X16	2,00	02/2010	04/2016	--
0002		VTRS13946		WASHER D. 8 X24 INX UNI 6593	2,00			--
0003		MPVR05290		ROLLER PARACOLPI	1,00			--
0004		LAFN03915		BUSHING NUOVO RUOTINO STRONG	1,00			--
0005		VTVT00822		SCREW TCEI M 8-30	1,00	06/2009		--
0005		VTVT17349		SCREW TCEI M 8X30	1,00		06/2009	--
0007		VTVT01366		SCREW M4X16	2,00			--
0008		VTDD01695		NUT M 8 INX	1,00			--
0009		VTDD15518		NUT M 6 INX	2,00			--
0010		LAFN05899		SUPPORT BRACKET CARTER 1 EXTREME	1,00			--
0011		LAFN07373		PLATE RIDUTTORE	1,00			--
0012		VTVT15143		SCREW TE 6X16 UNI5739	2,00			--



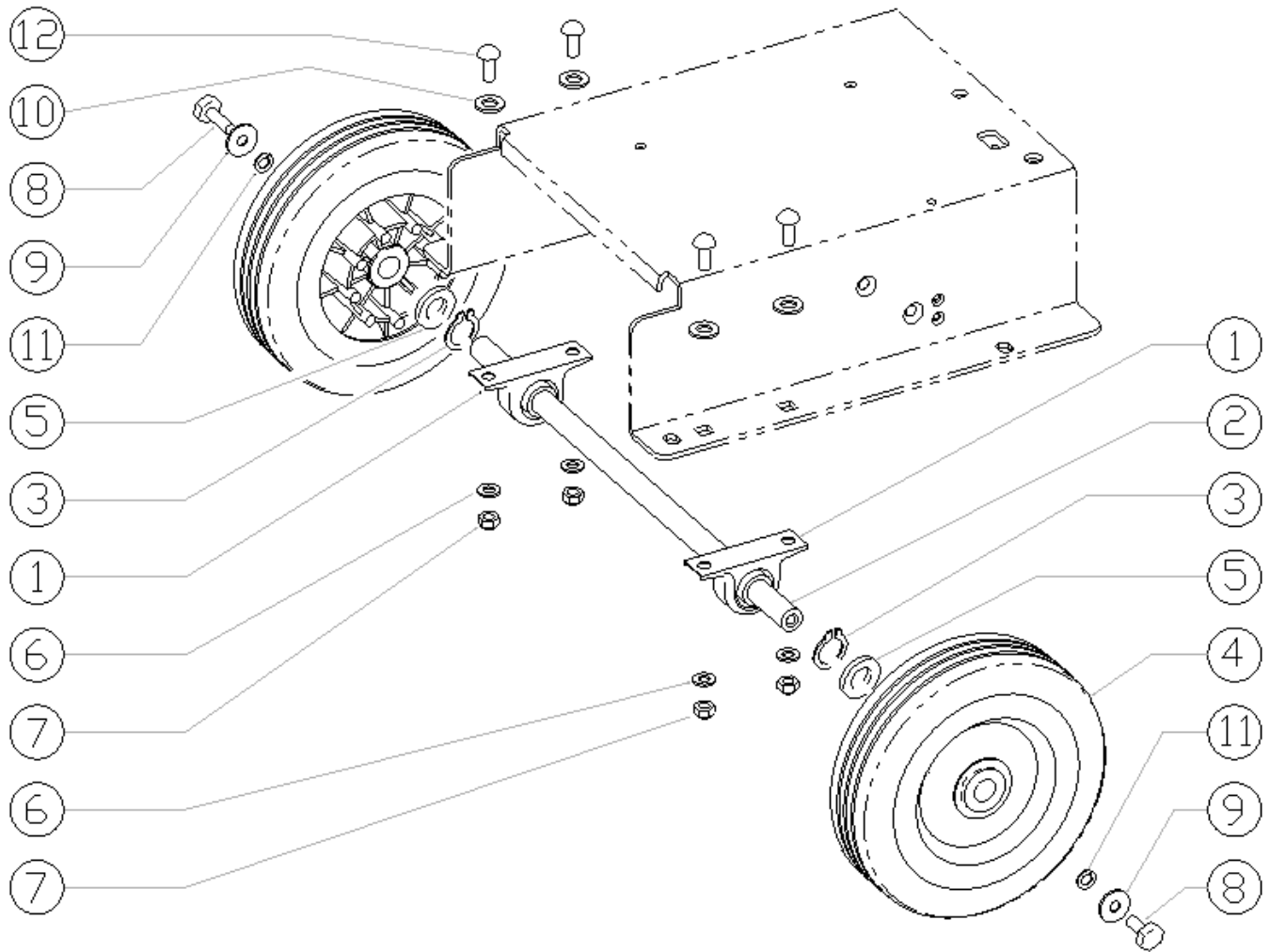
Ref. K	Part N.	Customer Part N.	Description	Qty	Validity:		Price
					From	To	
0001	VTRS15144		WASHER D. 6 INX GRW UNI 1751	8,00			--
0003	VTVT13937		SCREW TE M 8X 30 INX UNI 5739	4,00		03/2008	--
0004	VTRS13947		WASHER D. 8 INX UNI 6592	4,00		03/2008	--
0005	LAFN05920		FLANGE RIDUTTORE	1,00		03/2008	--
0006	RCDS34717		BUSHING D. 9X12X 8.3	4,00		03/2008	--
0007	VTDD01695		NUT M 8 INX	4,00		03/2008	--
0008	VTVT15906		SCREW TE 6X 12 A2 UNI 5739	8,00			--
0009	MFVR00134		DRIVE DISK SPAZZOLE	1,00			--
0010	MPVR02997		CLIP ANELLO X PERNO D10	1,00		05/2009	--
0010	VTVR00416		HANDWHEEL M 6MAX110 D.35	1,00	05/2009		--
0011	CUVR43254		BUSHING CB 85 1010 18T	1,00		07/2013	--
0012	LAFN04202		TUBE SOLUZIONE INOX D10	1,00		07/2013	--
0013	MOCC00298		MOTOR.GEARBOX MRP6	1,00		02/2008	--
0013	MOCC00327		MOTOR GEARBOX 24V 550W	1,00	02/2008	07/2013	--
0013	MOCC00344		BRUSH -	4,00			--
0013	MOCC00405		MOTOR	1,00	07/2013		--
0014	CUVR43254		BUSHING CB 85 1010 18T	1,00		07/2013	--
0015	LAFN51028		BUSHING	1,00		07/2013	--
0016	RCVR45752		HOSE FITTING "L" 3/8M - D.10 PLS.	1,00		07/2013	--
0017	VTRS00241		WASHER D. 8-24	4,00		03/2008	--
0018	RCDS00046		CONNECTOR -	1,00	07/2013		--



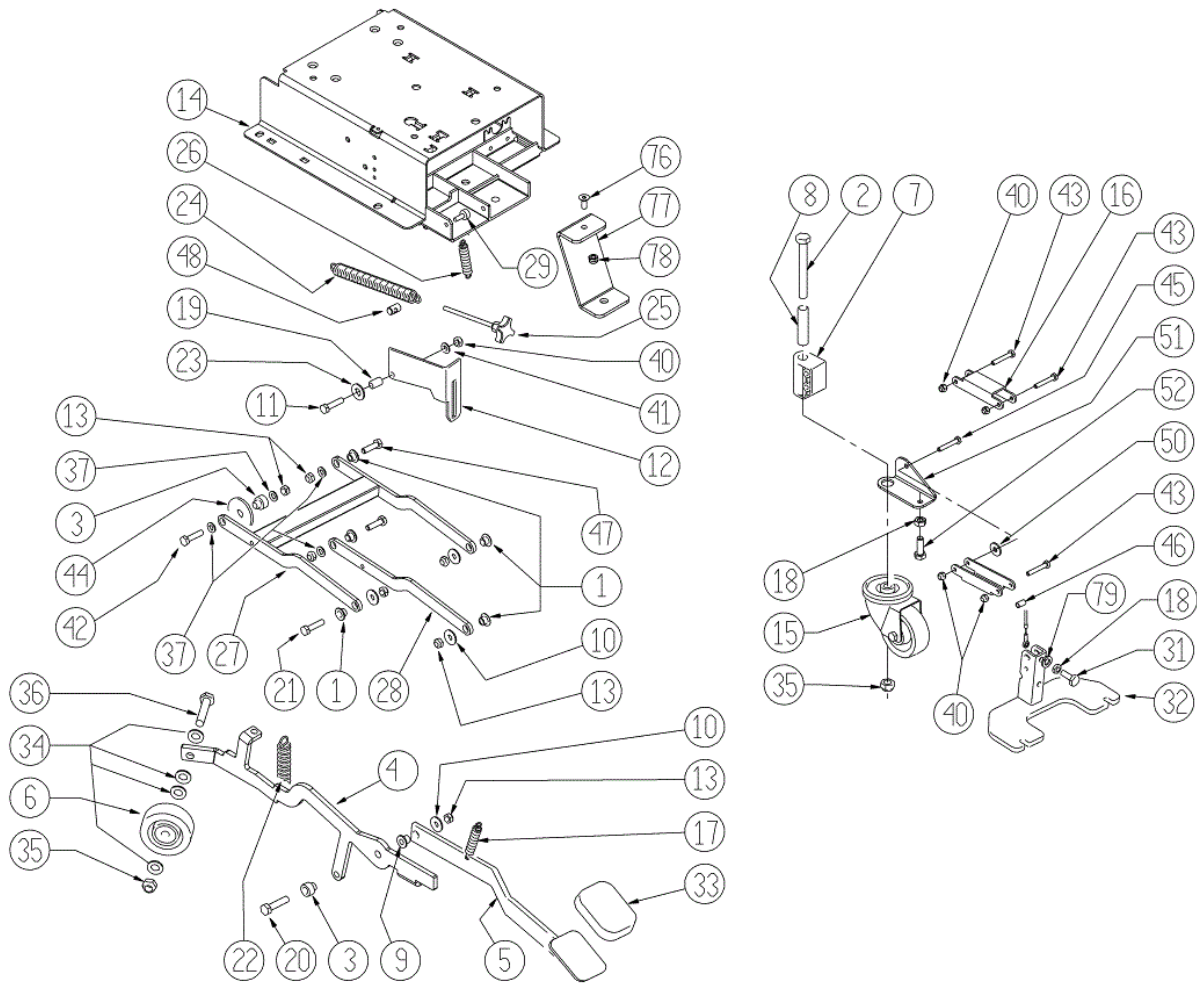
Ref.	K	Part N.	Customer Part N.	Description	Qty	Validity:		Price
						From	To	
0001		MPVR05259		TUBE SCARICO	1,00	06/2007		--
0001		TBFX00244		TUBE D 34 L200MM	1,00		06/2007	--
0002		LAFN06363		FLANGE ASPIRATORE	1,00			--
0003		MPVR05103		SOUND-PROOFING ASPIRATORE	1,00			--
0005		MPVR04724		FLANGE IN NYLON	1,00			--
0006		MEVR05200		CARBON MOTORE ASP.AMET.116599-13	2,00			--
0006		MOCC00253		MOTOR ASPIR.BIST.24V	1,00		11/2008	--
0006		MOCC00349		MOTOR VACUUM 2 STAGES 24V	1,00	11/2008		--
0007		GUGO00272		GASKET VACUUM MOTOR CT	1,00			--
0008		FSVR00099		CLAMP FERMATUBO	1,00			--
0009		VTVT00813		SCREW M 4X 8 TCB-TC UNI 8112	1,00			--
0010		VTRS13945		WASHER D. 6X18 INX UNI 6593	2,00			--
0011		VTRS15144		WASHER D. 6 INX GRW UNI 1751	2,00			--
0012		VTVT15143		SCREW TE 6X16 UNI5739	2,00			--
0013		FSVR00118		CLAMP D.94	1,00	05/2007		--
0013		FSVR00500		CLAMP 80-100 INOX	1,00		04/2007	--
0014		TBFX00268		SUCTION HOSE D80 L=80MM	1,00		04/2007	--
0014		TBFX00312		TUBE ASPIRAZIONE	1,00	05/2007		--



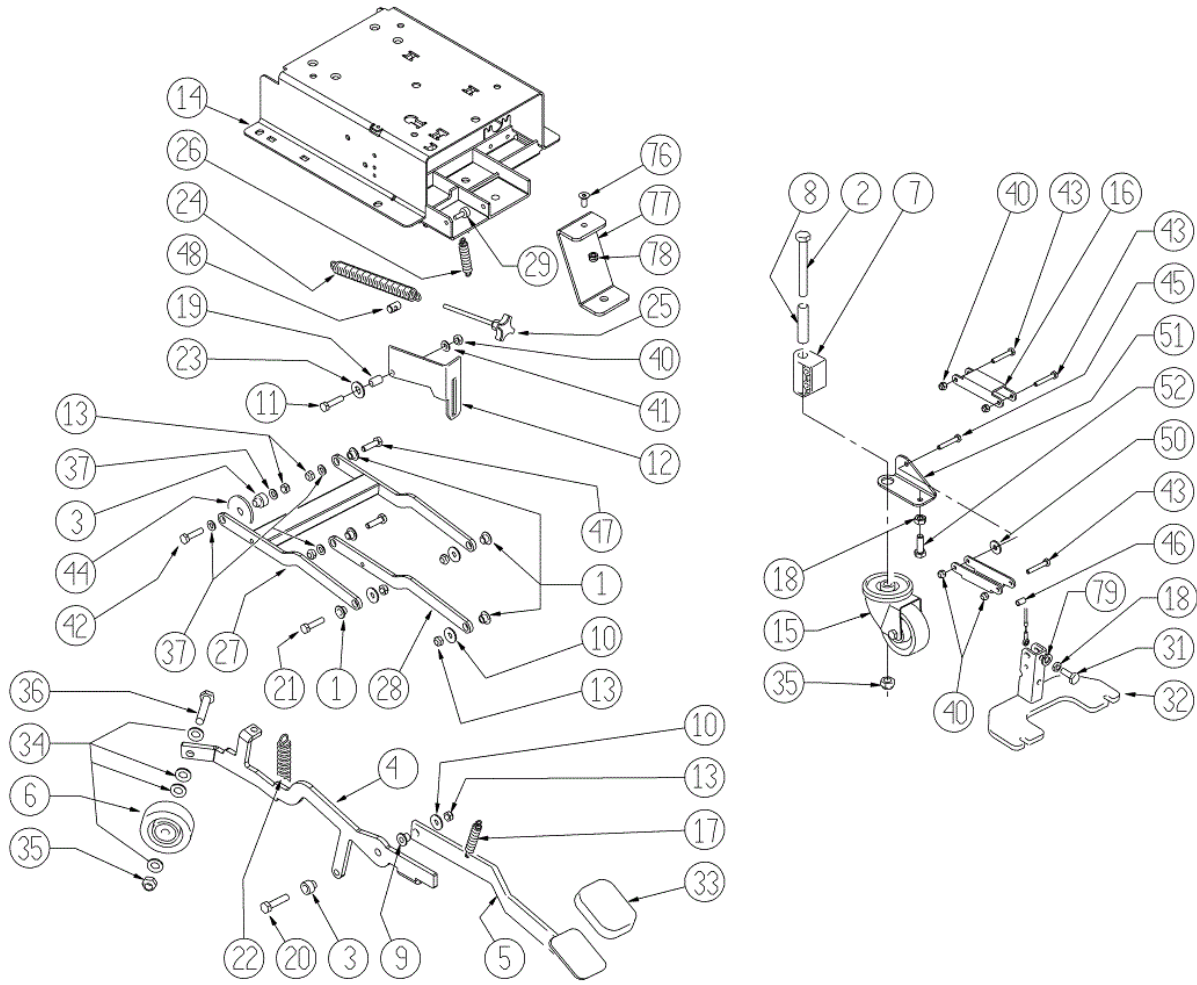
Ref.	K	Part N.	Customer Part N.	Description	Qty	Validity:		Price
						From	To	
0002		MICT00196		BOX	1,00			--
0004		VTVT00043		SCREW AUTOF.LEGNO 4,5X25 TS BR	9,00			--
0005		MIVR00137		CLAMP RUOTA POSTERIORE X IMBAL.	1,00			--
0006		GUGO00009		MOUSSE	0,05			--
0007		MIBA00054		PALLET Scrubber 40/62B/BF/A	1,00			--
0008		MIVR00135		CLAMP RUOTA POSTERIORE X IMBAL.	2,00			--



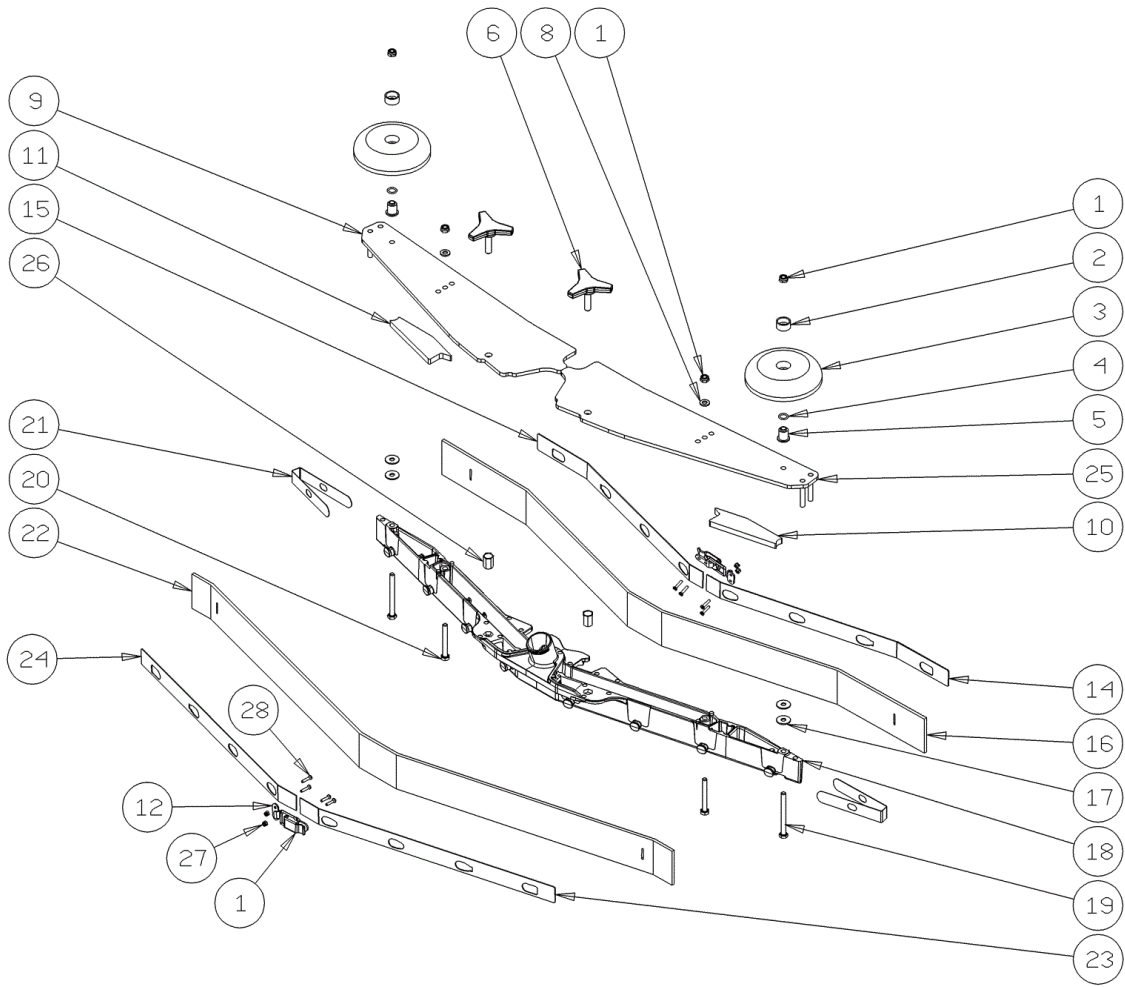
Ref.	K	Part N.	Customer Part N.	Description	Qty	Validity:		Price
						From	To	
0001		CUVR49833		BALL BEARING SBPP 203	2,00			--
0002		ALTR00075		SHAFT	1,00		04/2010	--
0002		ALTR00089		AXLE	1,00	04/2010		--
0003		VTAE00065		RING D17 UNI7435 INOX	2,00			--
0004		RTRT00366		WHEEL D200 X CLT 40	2,00			--
0005		VTRS00378		WASHER 17,5X32X1,5	4,00	09/2012		--
0005		VTRS21763		WASHER D.17	2,00		09/2012	--
0006		VTRS13947		WASHER D. 8 INX UNI 6592	4,00			--
0007		VTDD01695		NUT M 8 INX	4,00			--
0008		VTVT15916		SCREW TE M 8X 16 UNI 5739 A2	2,00			--
0009		VTRS13946		WASHER D. 8 X24 INX UNI 6593	2,00			--
0010		VTRS15978		WASHER D.12X24 UNI 6592 INX	4,00			--
0011		VTRS15146		WASHER D. 8 INX GRW UNI 1751	2,00			--
0012		VTVT00842		SCREW	4,00			--



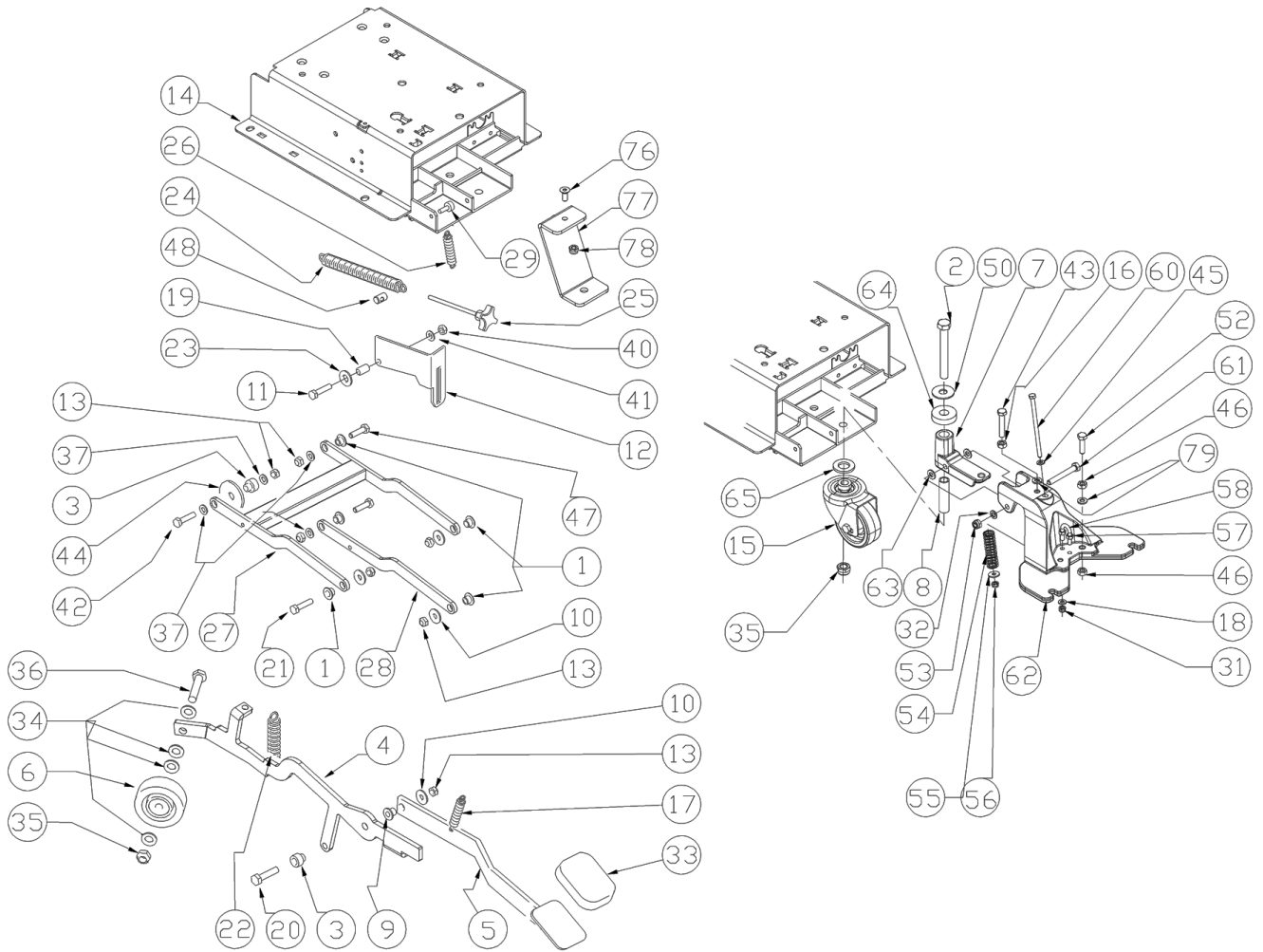
Ref.	K	Part N.	Customer Part N.	Description	Qty	Validity:		Price
						From	To	
0001		LAFN06391		BUSHING PARALLELOGRAMMA	5,00			--
0002		VTVT24212		SCREW TE M 12X100 UNI 5737 INOX	1,00			--
0003		LAFN04190		BUSHING PARALLELOGR.TEST.GR.	2,00			--
0004		LAFN07872		LEVER -	1,00			--
0005		LAFN07602		LEVER -	1,00		06/2013	--
0005		LAFN09270		PEDALE -	1,00	07/2013		--
0006		RTRT49171		CASTER D. 80-12	1,00			--
0007		MPVR04734		BLOCK TERGI	1,00			--
0008		LAFN09006		PIN -	1,00			--
0009		LAFN51068		BUSHING LEVA POSTER.	1,00			--
0010		VTRS13946		WASHER D. 8 X24 INX UNI 6593	4,00			--
0011		VTVT00161		SCREW TE M6X20	1,00			--
0012		LAFN10124		PLATE	1,00			--
0013		VTDD01695		NUT M 8 INX	7,00			--
0014		LAFN07293		BASE SERBATOIO	1,00			--
0015		RTRT00395		WHEEL CASTOR D.80X25 PU	1,00	08/2012		--
0015		RTRT00518		WHEEL CASTOR D.80X30	1,00		08/2012	--
0016		LAFN05853		LEVER ARM SOLLEVAMENTO TERGI	2,00			--
0017		MLML34726		SPRING TR E350 N	1,00			--
0018		VTDD15521		NUT M 8 INX A2 UNI 5588	1,00			--
0019		LAFN03840		BUSHING	1,00			--
0020		VTVT15917		SCREW TE M 8X50 INOX A2 UNI	1,00			--
0021		VTVT15907		SCREW TE 8X25 UNI5739 INX	3,00			--
0022		MLML00313		SPRING -	1,00			--
0023		VTRS00274		WASHER NYLON 66 D.8,4-17-2 UNI	1,00			--
0024		MLML31130		SPRING D. 17.5 X110 N38	1,00			--
0025		VTVR35749		HANDWHEEL M 6MAX110 D.35	1,00			--
0026		MLML00303		SPRING REGISTRAZIONE FLAP	1,00			--
0027		LAFN06388		ARM TESTATA SUPERIORE	1,00			--
0028		LAFN06389		ARM PARALLELOGRAMMA	1,00			--
0029		VTVR35749		HANDWHEEL M 6MAX110 D.35	1,00			--
0031		VTVT00410		SCREW TE M8x35 UNI5739 INOX	1,00			--
0032		LAFN07560		PLATE -	1,00			--
0033		MPVR05186		COVERING -	1,00			--
0034		VTRS15978		WASHER D.12X24 UNI 6592 INX	4,00			--
0035		VTDD00176		NUT M.12 INOX A2 BASSO AUTOB.	2,00			--
0036		VTVT00836		SCREW TE M12-60 INOX	1,00			--
0037		VTRS13947		WASHER D. 8 INX UNI 6592	4,00			--
0040		VTDD01694		NUT M6 INOX	5,00			--



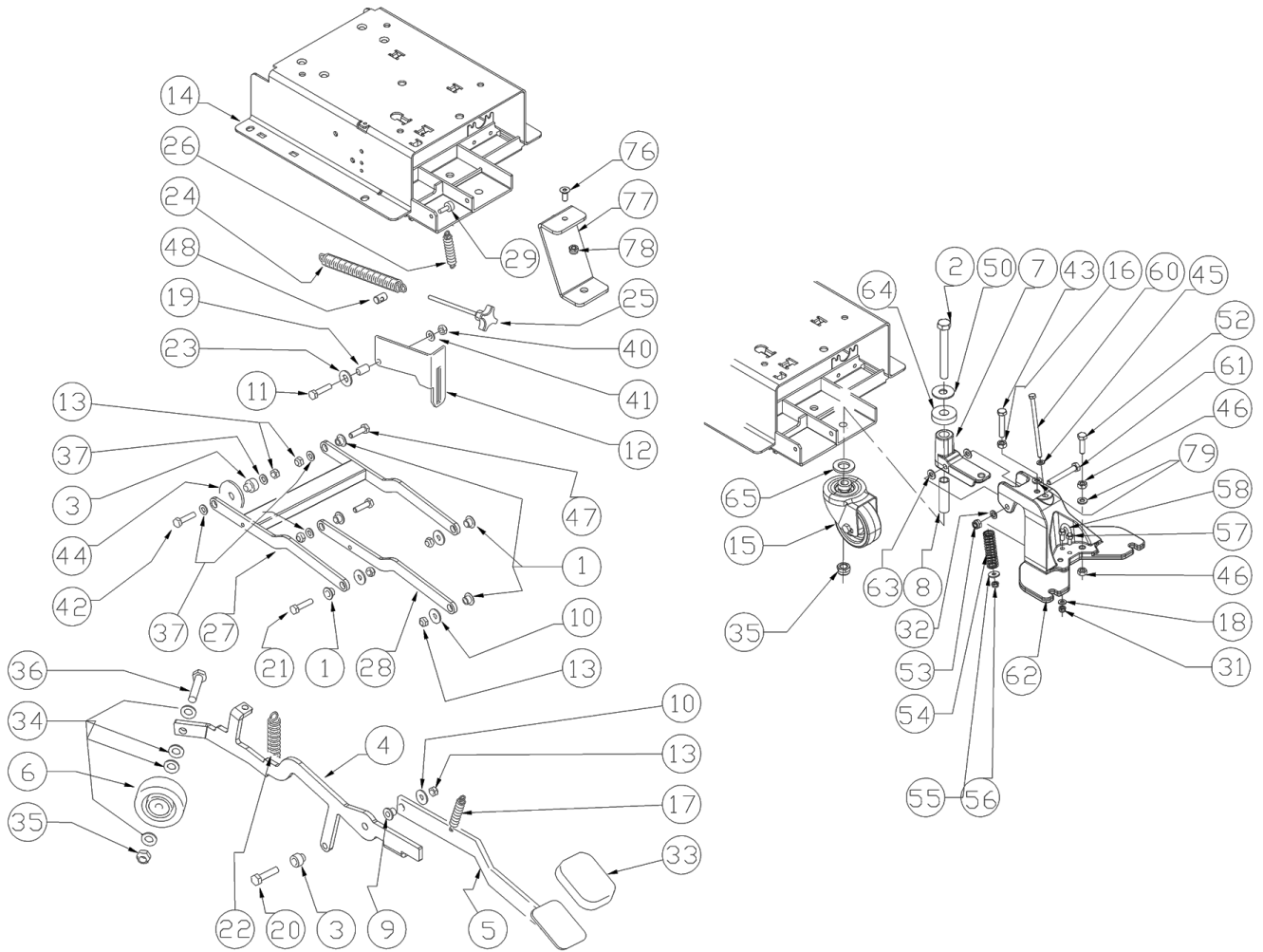
Ref.	K	Part N.	Customer Part N.	Description	Qty	Validity:		Price
						From	To	
0041		VTRS00245		WASHER D.6 UNI 6592 INOX	1,00			--
0042		VTVT00410		SCREW TE M8x35 UNI5739 INOX	1,00			--
0043		VTVT01683		SCREW TE 6X40	4,00			--
0044		MPVR05134		GASKET D.60 FORO D.12 SP.2	1,00			--
0045		VTVT01684		SCREW TE 6X45	1,00			--
0046		LAFN06898		SPACER 6-8 h15	1,00			--
0047		VTVT13937		SCREW TE M 8X 30 INX UNI 5739	2,00			--
0048		LAFN35747		SPRING SUPPORT LAV. E/B 450	1,00			--
0050		VTRS13945		WASHER D. 6X18 INX UNI 6593	1,00			--
0051		LAFN08999		BRACKET -	1,00			--
0052		VTVT13938		SCREW TE 8X20 UNI5739 INX	1,00			--
0076		VTVT00224		SCREW	1,00			--
0077		LAFN06860		BRACKET CT70	1,00			--
0078		VTDD01695		NUT M 8 INX	1,00			--
0079		VTRS15146		WASHER D. 8 INX GRW UNI 1751	1,00	03/2013		--



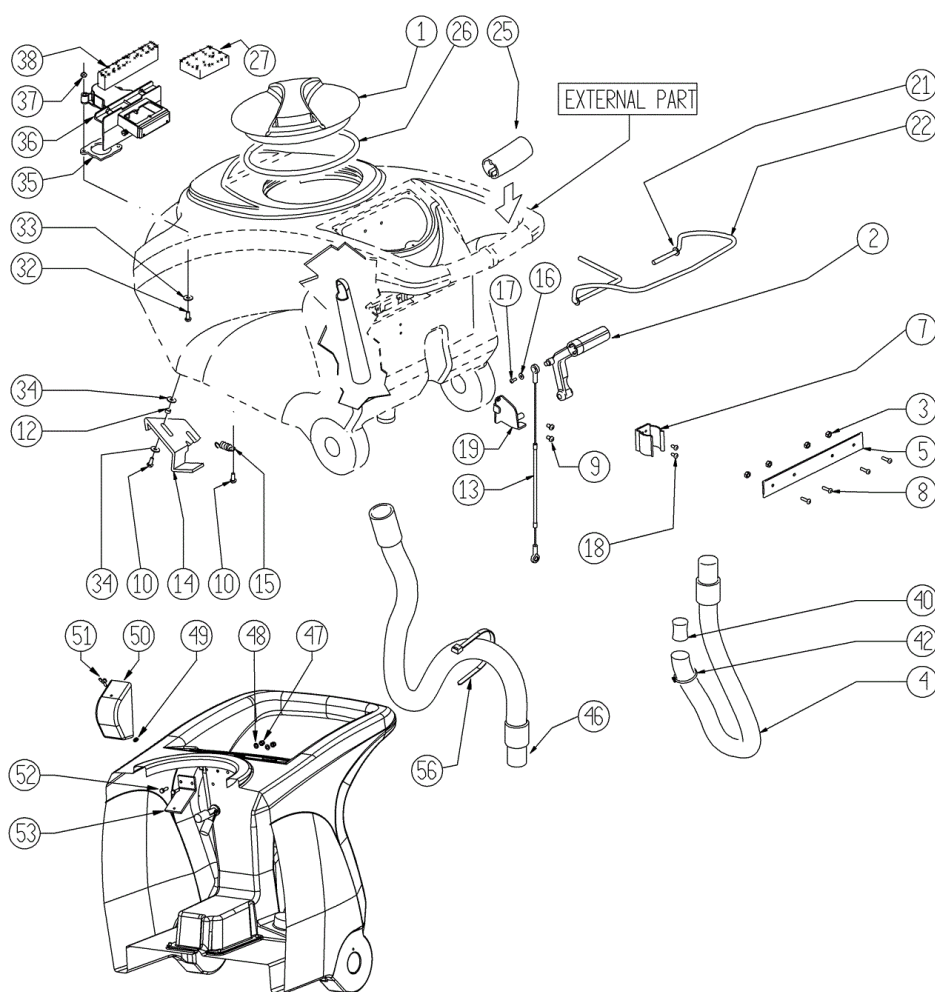
Ref.	K	Part N.	Customer Part N.	Description	Qty	Validity:		Price
						From	To	
0001		LAFN09302		CLOSURE -	2,00	09/2013		--
0002		MPVR49229		BUSHING SHK	2,00			--
0003		MPVR05290		ROLLER PARACOLPI	2,00			--
0004		GUGO00164		GASKET	2,00			--
0005		LAFN04100		SPACER PER RUOTINO PARACOLPI	2,00			--
0006		MPVR06003		KNOB AISI 304	2,00		03/2013	--
0006		MPVR06004		KNOB AISI 304	2,00	03/2013		--
0008		VTRS00245		WASHER D.6 UNI 6592 INOX	2,00			--
0009		LAFN09012		PLATE -	1,00			--
0010		GUVR00301		GASKET -	1,00			--
0011		GUVR00300		GASKET -	1,00			--
0012		LAFN09301		SOCKET -	2,00	09/2013		--
0014		LAFN08948		BRACKET -	1,00		09/2013	--
0014		LAFN09279		SHEET METAL PA.-	1,00	09/2013		--
0015		LAFN08949		BRACKET -	1,00		09/2013	--
0015		LAFN09280		SHEET METAL PA.-	1,00	09/2013		--
0016		MPVR05800		RUBBER BLADE FRONT SQUEEGEE S PU	1,00			--
0017		VTRS13945		WASHER D. 6X18 INX UNI 6593	4,00			--
0018		KTRI02048		BODY SQUEEGEE PRESSOFUSO "S"	1,00			--
0019		VTVT00841		SCREW TE M 6X65 UNI 5739 INX	2,00			--
0020		VTVT15515		SCREW TE M 6X 50 INOX A2	2,00			--
0021		MPVR05897		CLOSURE S	2,00			--
0022		MPVR05802		RUBBER REAR SQUEEGEE S PU	1,00			--
0023		LAFN08950		BRACKET -	1,00		09/2013	--
0023		LAFN09281		SHEET METAL PA.-	1,00	09/2013		--
0024		LAFN08951		BRACKET -	1,00		09/2013	--
0024		LAFN09283		SHEET METAL PA.-	1,00	09/2013		--
0025		LAFN09013		PLATE -	1,00			--
0026		VTVR00565		INSERT	2,00			--
0027		VTDD00210		NUT M 3 AUTOBL.DIN 985 IX.A2	8,00	09/2013		--
0028		VTVT01070		SCREW TSTC M3X8	8,00	09/2013		--



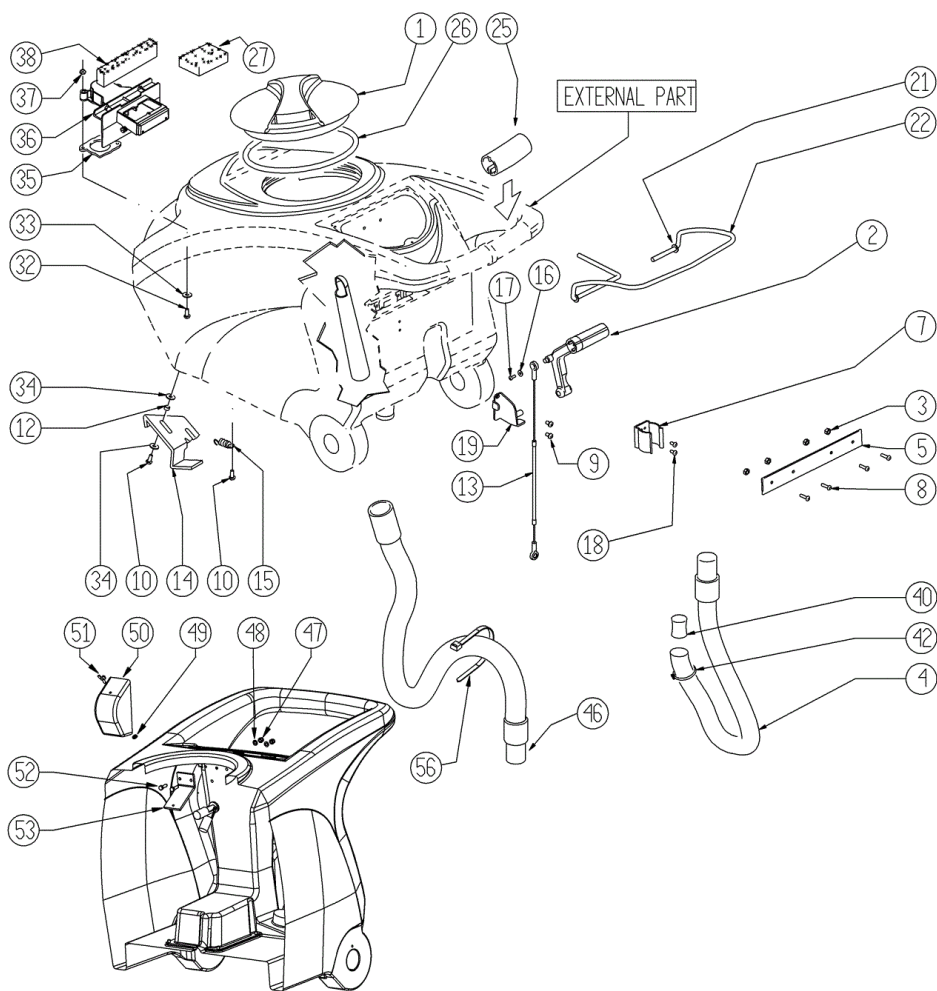
Ref.	K	Part N.	Customer Part N.	Description	Qty	Validity: From To	Price
0001		LAFN06391		BUSHING PARALLELOGRAMMA	5,00		--
0002		VTVT00285		SCREW TE M12X110	1,00		--
0003		LAFN04190		BUSHING PARALLELOGR.TEST.GR.	2,00		--
0004		LAFN07872		LEVER -	1,00		--
0005		LAFN09270		PEDALE -	1,00		--
0006		RTRT49171		CASTER D. 80-12	1,00		--
0007		MFVR00226		SUPPORT SQUEEGEE	1,00		--
0008		LAFN09006		PIN -	1,00		--
0009		LAFN51068		BUSHING LEVA POSTER.	1,00		--
0010		VTRS13946		WASHER D. 8 X24 INX UNI 6593	4,00		--
0011		VTVT00161		SCREW TE M6X20	1,00		--
0012		LAFN10124		PLATE	1,00		--
0013		VTDD01695		NUT M 8 INX	7,00		--
0014		LAFN07293		BASE SERBATOIO	1,00		--
0015		RTRT00395		WHEEL CASTOR D.80X25 PU	1,00		--
0016		VTDD15521		NUT M 8 INX A2 UNI 5588	1,00		--
0017		MLML34726		SPRING TR E350 N	1,00		--
0018		VTRS00245		WASHER D.6 UNI 6592 INOX	1,00		--
0019		LAFN03840		BUSHING	1,00		--
0020		VTVT15917		SCREW TE M 8X50 INOX A2 UNI	1,00		--
0021		VTVT15907		SCREW TE 8X25 UNI5739 INX	3,00		--
0022		MLML00313		SPRING -	1,00		--
0023		VTRS00274		WASHER NYLON 66 D.8,4-17-2 UNI	1,00		--
0024		MLML31130		SPRING D. 17.5 X110 N38	1,00		--
0025		VTVR35749		HANDWHEEL M 6MAX110 D.35	1,00		--
0026		MLML00303		SPRING REGISTRAZIONE FLAP	1,00		--
0027		LAFN06388		ARM TESTATA SUPERIORE	1,00		--
0028		LAFN06389		ARM PARALLELOGRAMMA	1,00		--
0029		VTVR35749		HANDWHEEL M 6MAX110 D.35	1,00		--
0031		VTDD01694		NUT M6 INOX	1,00		--
0032		VTRS13947		WASHER D. 8 INX UNI 6592	1,00		--
0033		MPVR05186		COVERING -	1,00		--
0034		VTRS15978		WASHER D.12X24 UNI 6592 INX	3,00		--
0035		VTDD00176		NUT M.12 INOX A2 BASSO AUTOB.	2,00		--
0036		VTVT00836		SCREW TE M12-60 INOX	1,00		--
0037		VTRS13947		WASHER D. 8 INX UNI 6592	4,00		--
0040		VTDD01694		NUT M6 INOX	5,00		--
0041		VTRS00245		WASHER D.6 UNI 6592 INOX	1,00		--
0042		VTVT00410		SCREW TE M8x35 UNI5739 INOX	1,00		--



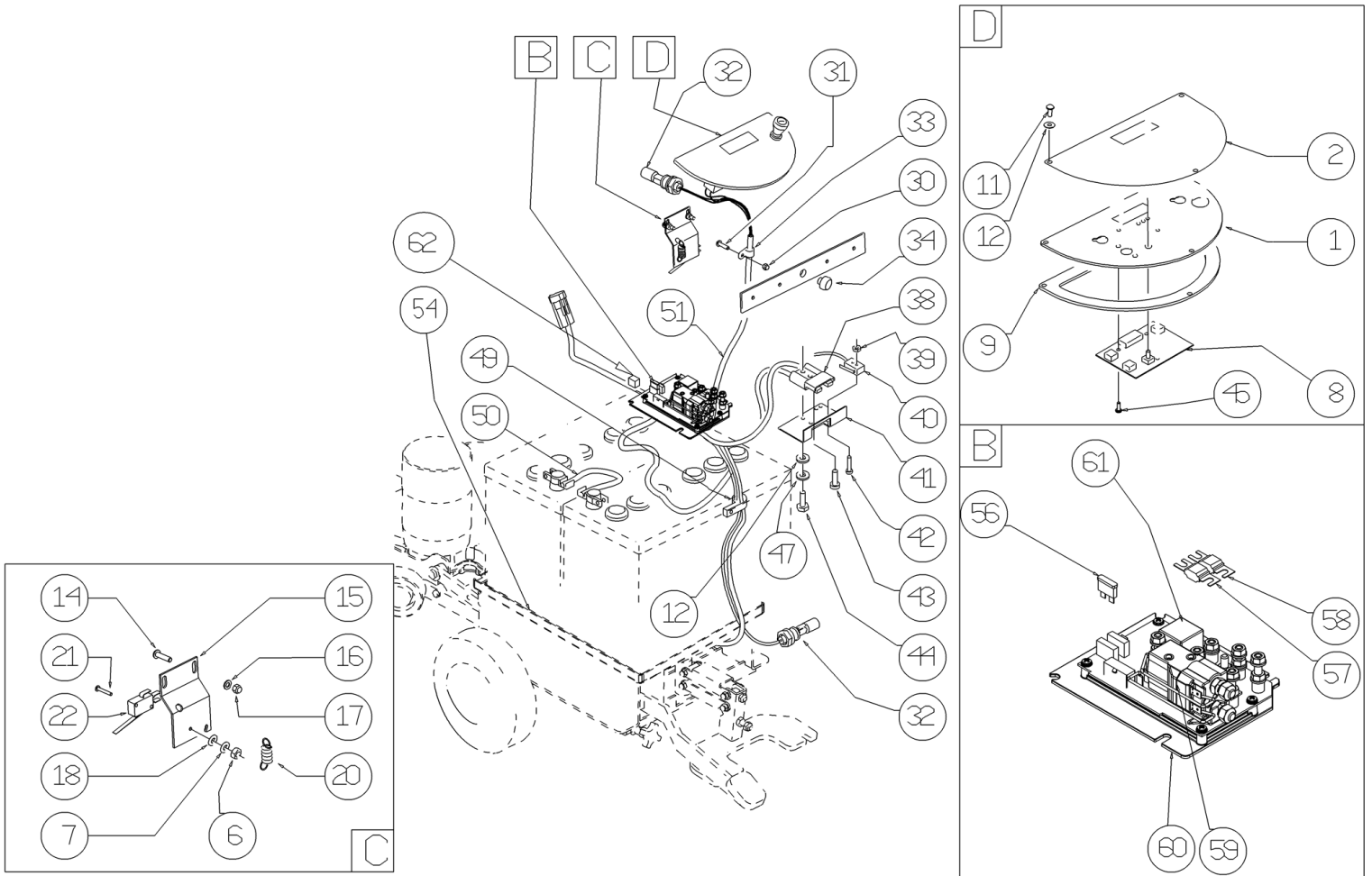
Ref.	K	Part N.	Customer Part N.	Description	Qty	Validity:		Price
						From	To	
0043		VTVT15371		SCREW TE M 8X45 INOX A2 UNI	1,00			--
0044		MPVR05134		GASKET D.60 FORO D.12 SP.2	1,00			--
0045		VTRS00245		WASHER D.6 UNI 6592 INOX	1,00			--
0046		VTDD15521		NUT M 8 INX A2 UNI 5588	1,00			--
0047		VTVT13937		SCREW TE M 8X 30 INX UNI 5739	2,00			--
0048		LAFN35747		SPRING SUPPORT LAV. E/B 450	1,00			--
0050		VTRS09142		WASHER D.12 X 36	1,00			--
0052		VTVT13937		SCREW TE M 8X 30 INX UNI 5739	1,00			--
0053		VTDD01695		NUT M 8 INX	1,00			--
0054		MLML00338		SPRING -	1,00			--
0055		VTRS13945		WASHER D. 6X18 INX UNI 6593	1,00			--
0056		VTDD01694		NUT M6 INOX	1,00			--
0057		VTDD00053		NUT M6 INOX UNI5589	1,00			--
0058		LAFN09231		BRACKET M6X11X29	1,00			--
0060		VTVT01008		SCREW 6X110	1,00			--
0061		VTVT01009		SCREW 8X60	1,00			--
0062		MFVR00227		SUPPORT SQUEEGEE	1,00			--
0063		VTRS00274		WASHER NYLON 66 D.8,4-17-2 UNI	2,00			--
0064		MPVR06069		WASHER 15X40	1,00			--
0065		VTRS09142		WASHER D.12 X 36	1,00			--
0076		VTVT00224		SCREW	1,00			--
0077		LAFN06860		BRACKET CT70	1,00			--
0078		VTDD01695		NUT M 8 INX	1,00			--
0079		VTRS15146		WASHER D. 8 INX GRW UNI 1751	1,00			--



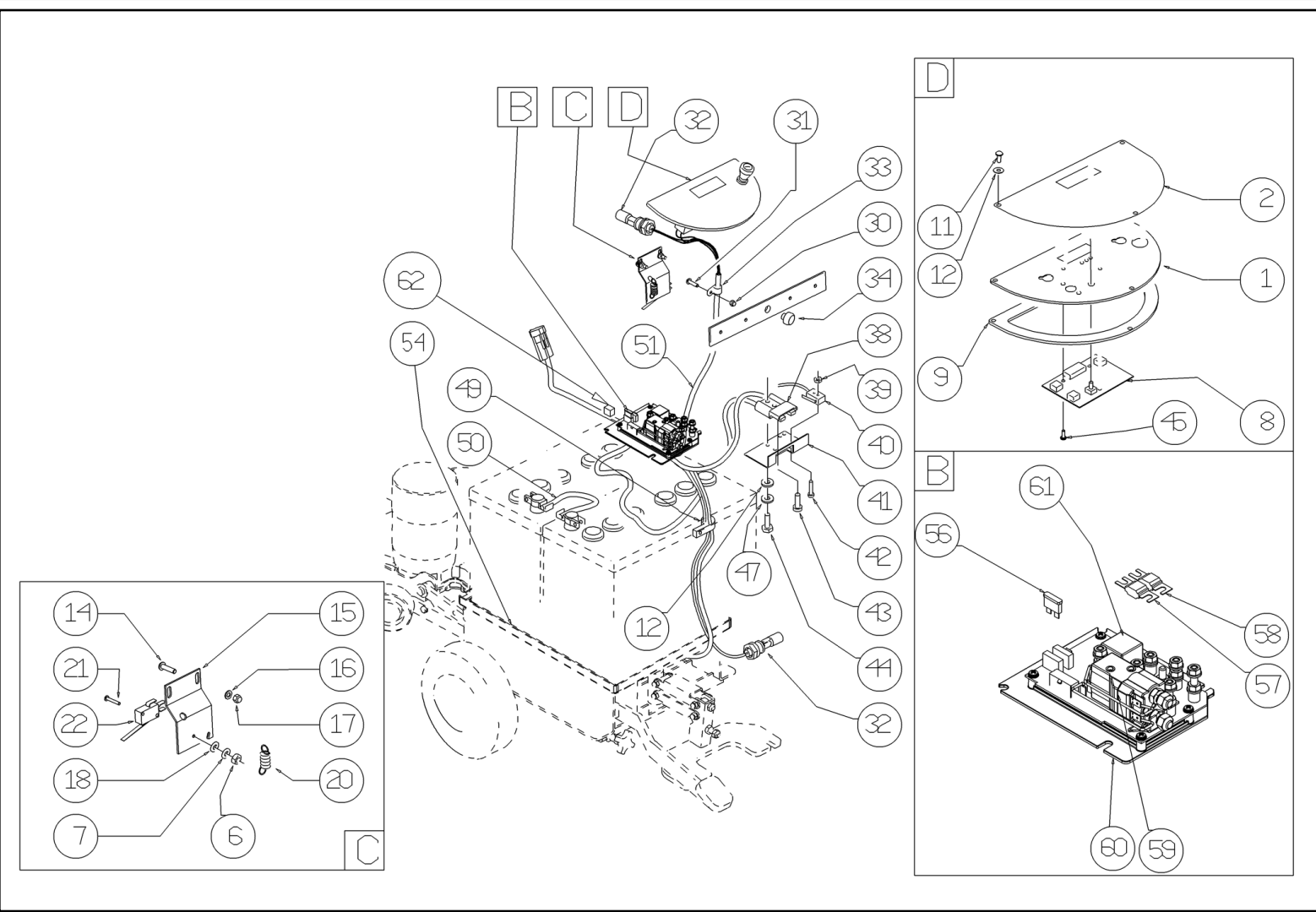
Ref. K	Part N.	Customer Part N.	Description	Qty	Validity: From	To	Price
0001	MPVR04051		TANK CAP	1,00			--
0002	MPVR49942		LEVER SQUEEGEE LIFTING PP	1,00			--
0003	VTDD15518		NUT M 6 INX	4,00			--
0004	TBFX00358		TUBE PU CT40/70/90	1,00			--
0005	LAFN05865		PLATE COPRILEVA CONSENSO	1,00			--
0007	MPVR46988		CLIP LAV. SHK	1,00			--
0008	VTVT00651		SCREW TBEI M. 5x16 INOX	4,00			--
0009	VTVT15906		SCREW TE 6X 12 A2 UNI 5739	2,00			--
0010	VTVT15143		SCREW TE 6X16 UNI5739	3,00			--
0012	LAFN03626		SPACER	2,00			--
0013	CMCV00464		CABLE SOLLEVAMENTO TERGI	1,00			--
0014	LAFN06849		HANDLE CT 70	1,00			--
0015	MLML00203		SPRING	1,00			--
0016	VTRS00251		WASHER 4-16 INOX A2	1,00			--
0017	VTVT00800		SCREW TC 4X12 ZN	1,00			--
0018	VTVT21096		SCREW TE M 4X 10 INX	2,00			--
0019	LAFN05870		BRACKET LEVA SOLLEVAM. SQUEEGEE	1,00		09/2016	--
0019	LAFN11019		BRACKET -	1,00	09/2016		--
0021	VTRS13947		WASHER D. 8 INX UNI 6592	2,00			--
0022	LAFN05861		LEVER CONSENSO SPAZZOLE	1,00		06/2014	--
0022	LAFN09339		LEVER -	1,00	06/2014		--
0025	MPVR05215		KNOB -	2,00			--
0026	GUGO00263		GASKET CIRCOLARE TAPPO	1,00			--
0027	FTDP00133		FILTER VACUUM MOTOR	1,00			--
0032	VTVT01139		SCREW TE M.4-25	2,00			--
0033	VTRS00515		WASHER D. 4 INX	2,00			--
0034	VTRS00274		WASHER NYLON 66 D.8,4-17-2 UNI	4,00			--
0035	GUGO00417		GASKET SCATOLA ASPIRAZIONE	1,00			--
0036	MPVR05482		BOX -	1,00			--
0037	VTDD15925		NUT M 4 INX	2,00			--
0038	GUGO00418		GASKET CONDOTTO ASPIRAZIONE	1,00			--
0040	GUGO00245		GASKET	1,00			--
0042	FSVR43136		CLAMP D. 35-40 DF.	1,00			--
0046	KTRI04696		KIT REPLACEMENT TBFX00353	1,00			--
0047	VTDD01693		NUT M 5 INX	2,00			--
0048	VTRS00516		WASHER D. 5 INX	2,00			--
0049	VTVR01038		WASHER -	1,00			--
0050	MPVR05596		PROTECTION -	1,00			--
0051	VTVT01150		SCREW 4x10	1,00			--



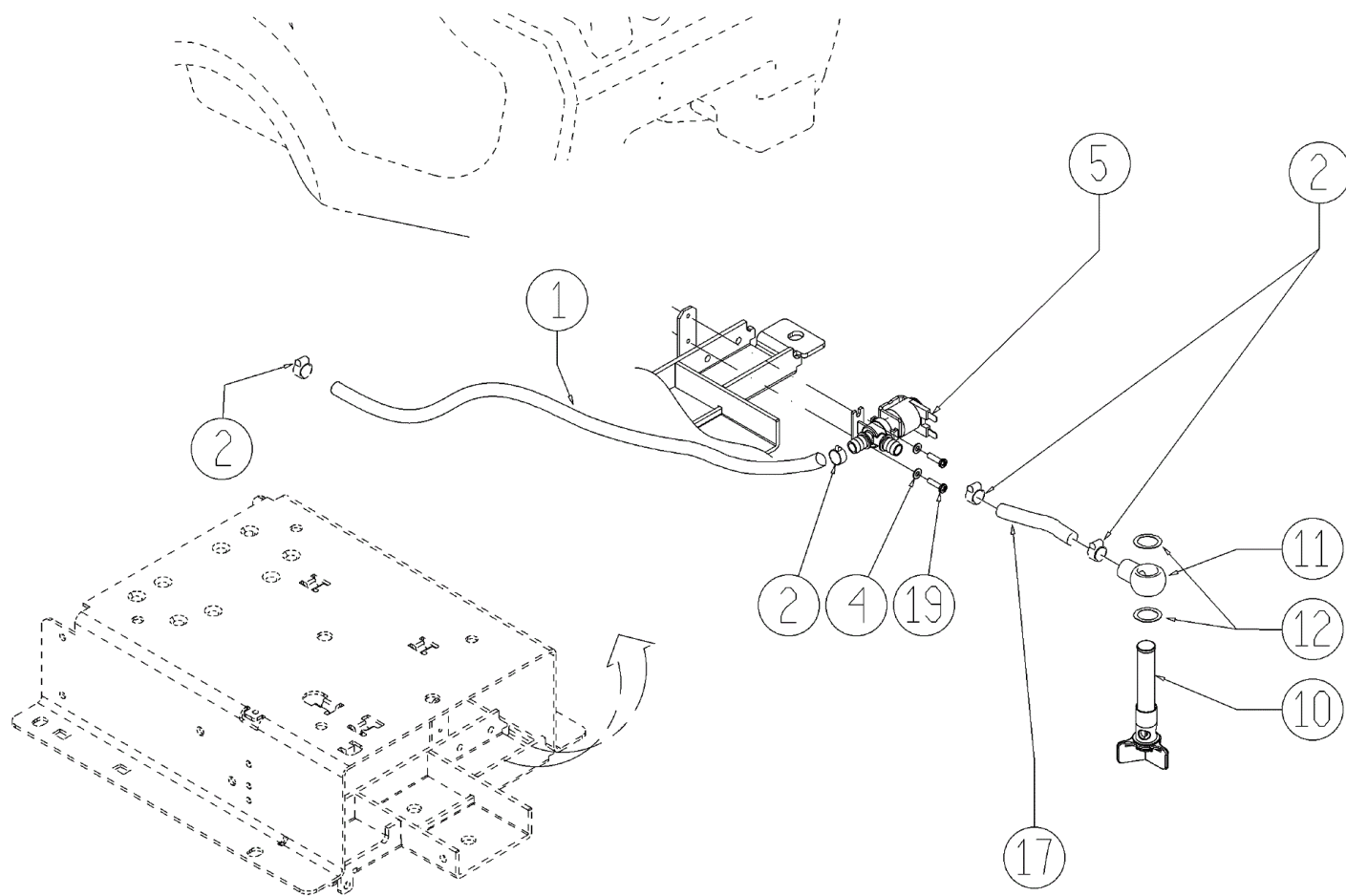
Ref. K	Part N.	Customer Part N.	Description	Qty	Validity:		Price
					From	To	
0052	VTVT07725		SCREW TE 5X16 UNI5739 INX	2,00			--
0053	LAFN07631		BRACKET -	1,00			--
0056	FSVR00248		CLAMP -	1,00			--



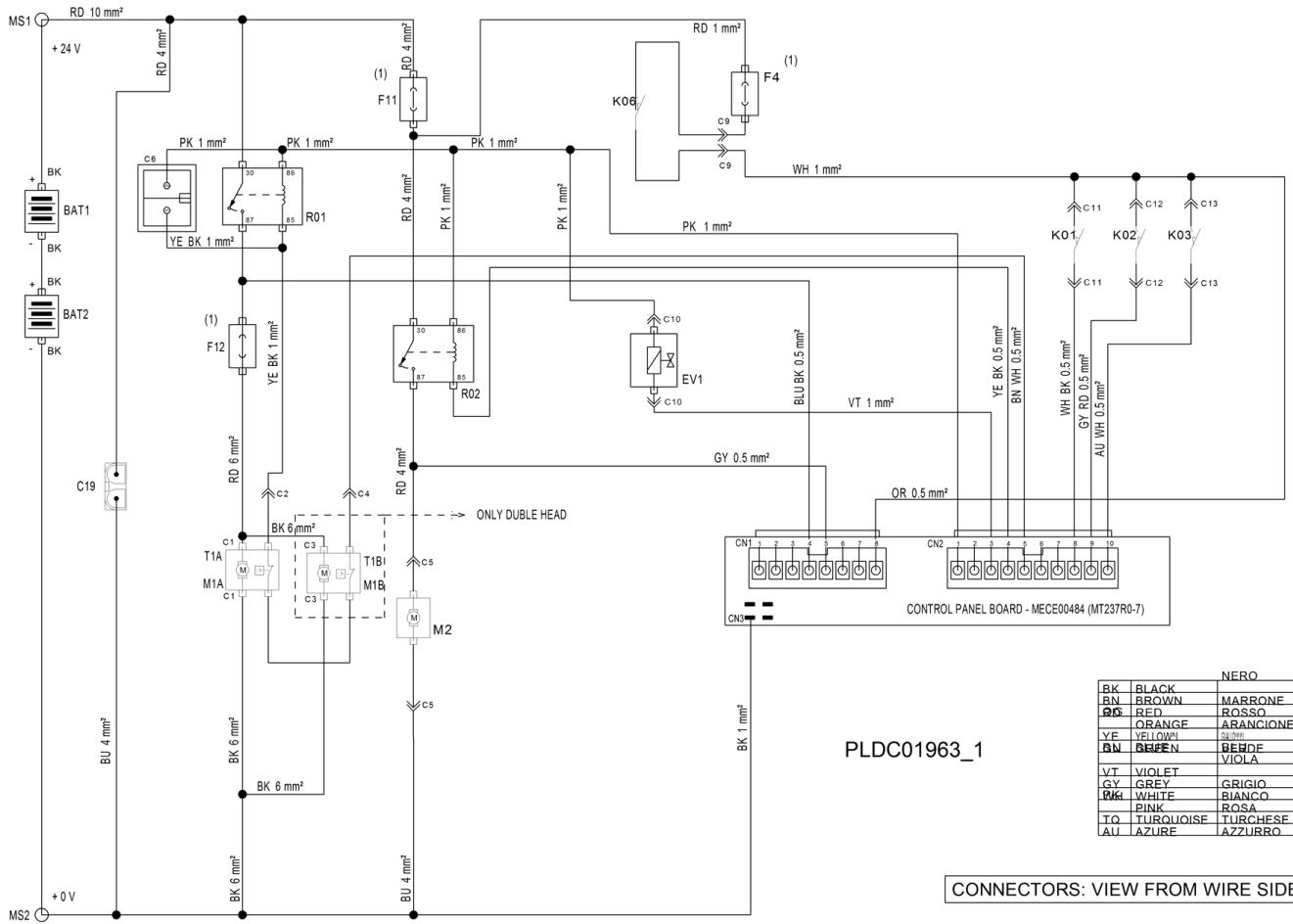
Ref.	K	Part N.	Customer Part N.	Description	Qty	Validity:		Price
						From	To	
0001		LAFN08989		SUPPORT -	1,00			--
0002		ETET01670		LABEL -	1,00			--
0006		VTDD21115		NUT M 3 INOX	7,00			--
0007		VTRS00268		WASHER D.3	7,00			--
0008		MECE00484		BOARD CT40B EV	1,00		02/2016	--
0008		MECE00608		BOARD CT40B	1,00	02/2016		--
0009		GUGO38417		GASKET PANN.COM.EXTREME	1,00			--
0011		VTVT37012		SCREW M 4X 10 TCB-TC INX	3,00			--
0012		VTRS00515		WASHER D. 4 INX	10,00			--
0014		VTVT07725		SCREW TE 5X16 UNI5739 INX	2,00			--
0015		LAFN05904		PLATE MICRO LEVA	1,00			--
0016		VTRS00516		WASHER D. 5 INX	2,00			--
0017		VTDD01693		NUT M 5 INX	2,00			--
0018		VTRS21116		WASHER D. 3 INX	2,00			--
0020		MLML00203		SPRING	1,00	07/2014		--
0020		MLML34726		SPRING TR E350 N	1,00		07/2014	--
0021		VTVT01316		SCREW TC+ M3-16	2,00			--
0022		MECI36393		MICROSWITCH TRZ. DRW	1,00			--
0030		VTDD15925		NUT M 4 INX	1,00			--
0031		VTVT00704		SCREW TE M 4X 16 UNI5739 INOX	5,00			--
0032		MECI00516		SENSOR DI LIVELLO ORIZZONTALE	2,00			--
0033		FSVR00099		CLAMP FERMATUBO	1,00			--
0034		MPVR00043		CAP CHIUS.FORO PORTAFUS.L 15	1,00			--
0038		MEVR01707		CONNECTOR -	1,00			--
0039		VTDD08634		NUT M2	2,00			--
0040		MECI00334		MICROSWITCH V4	1,00			--
0041		LAFN06409		SUPPORT -	1,00			--
0042		VTVT00671		SCREW TC- M.2-16 OTTONE	2,00			--
0043		VTVT00872		SCREW TSP+ 2.9X13 AUTOFIL. INOX	1,00			--
0044		VTVT00814		SCREW TE M.4-25	2,00			--
0045		VTVT00722		SCREW	2,00			--
0047		VTRS15913		WASHER D. 4 GROVER A2 UNI1751	2,00			--
0049		FSVR00099		CLAMP FERMATUBO	1,00			--
0050		MEVR34820		WIRING B 450 BT	1,00			--
0051		MECB01252		WIRING	1,00			--
0054		LAFN35588		BATTERY SUPPORTLAV. BT	1,00			--
0056		MEVR01428		FUSE A LAMA 2 A. UNIVAL	1,00			--
0057		MEVR02061		FUSE 80A	1,00		12/2015	--
0057		MEVR02105		FUSE 50A OMEGA FT3050	1,00	01/2016		--



Ref.	K	Part N.	Customer Part N.	Description	Qty	Validity:		Price
						From	To	
0058		MEVR02060		FUSE 40A	1,00			--
0059		METT00085		CONTACTOR 100A	1,00			--
0060		MECE00574		BOARD CT40-70-90	1,00			--
0061		MECE00139		RELAY 24V 70A	1,00			--
0062		GUGO00460		MOUSSE 20x15x18	1,00	05/2015		--



Ref.	K	Part N.	Customer Part N.	Description	Qty	Validity:		Price
						From	To	
0001		TBFX48011		TUBE FLEX D.12X3 ARMORV.PVC TR	0,71			--
0002		FSVR00428		CLAMP D. 12-20	4,00			--
0004		VTRS00515		WASHER D. 4 INX	2,00			--
0005		MEEV00036		SOLENOID VALVE HOLE 8mm CLEANTIME	1,00			--
0010		MPVR05221		FILTER COMPLETO	1,00		02/2013	--
0010		MPVR06303		FILTER CT40-70-90	1,00	02/2013		--
0011		LAFN07783		CONNECTOR -	1,00			--
0012		VTRS00567		WASHER 1/2	2,00			--
0017		TBFX48011		TUBE FLEX D.12X3 ARMORV.PVC TR	0,17			--
0019		VTVT01158		SCREW M4x16	2,00			--



Ref.	K	Part N.	Customer Part N.	Description	Qty	Validity:		Price
						From	To	
EV1		MEEV00036		SOLENOID VALVE HOLE 8mm CLEANTIME	1,00			--
F11		MEVR02060		FUSE 40A	1,00			--
F12		MEVR02105		FUSE 50A OMEGA FT3050	1,00			--
F4		MEVR01428		FUSE A LAMA 2 A. UNIVAL	1,00			--
R01		METT00085		CONTACTOR 100A	1,00			--

COMPONENTS

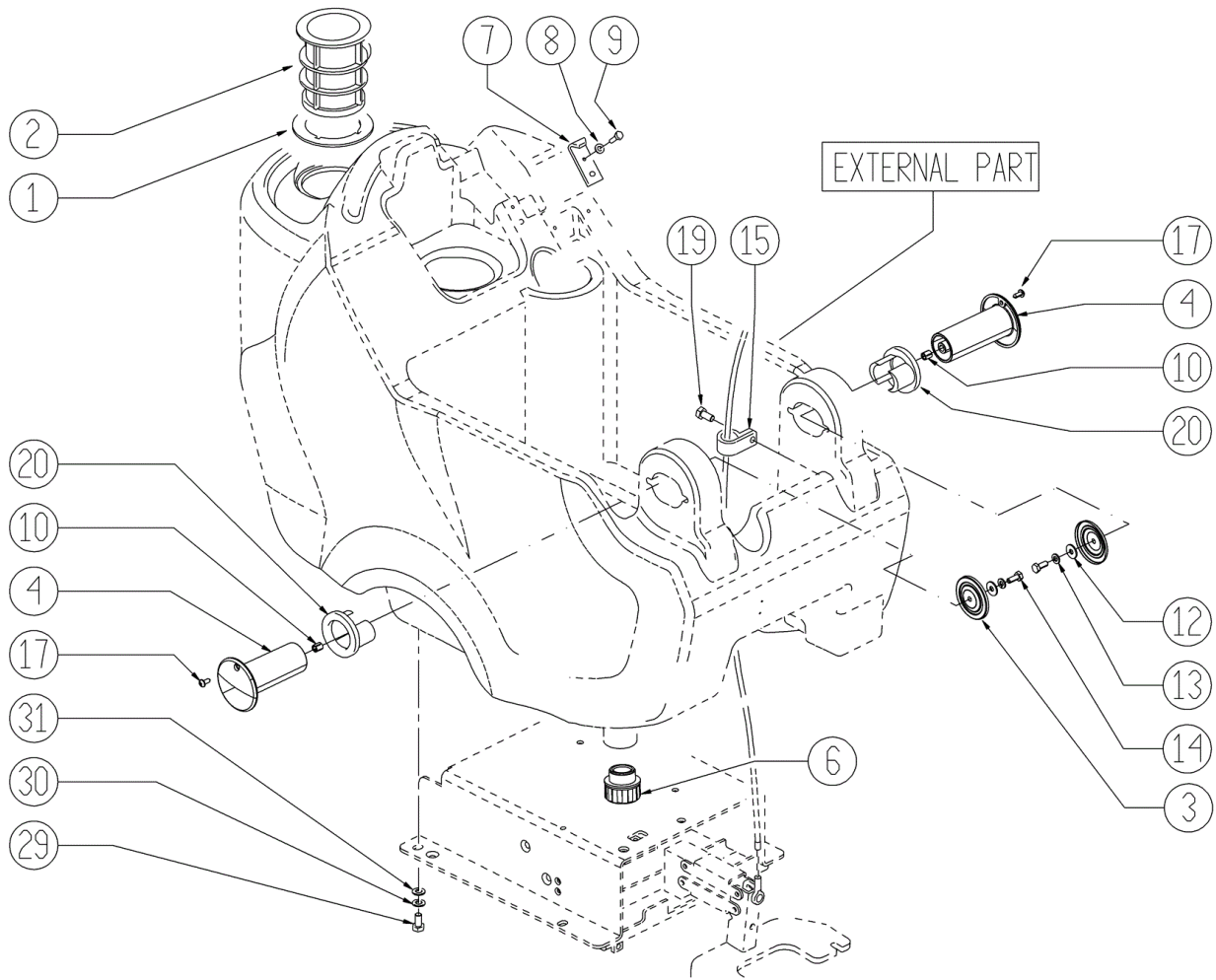
(1)	F12	FUSE- BRUSH MOTORS (50 A)	FUSIBILE SPAZZOLE POTENZA (50 A)
(1)	F11	FUSE-VACUUM MOTOR (40 A)	FUSIBILE ASPIRATORE POTENZA (40 A)
(1)	F4	FUSE-CONTROL PANEL (2 A)	
	R01	RELAY- BRUSH MOTORS	TELERUTTORE SPAZZOLE
	R02	RELAY- VACUUM MOTOR	RELE' ASPITATORE
	EV1	ELECTRO-VALVE	ELETTROVALVOLA ACQUA
	K01	SWITCH- HAND LEVER	MICRO LEVA TRZIONE
	K02	SWITCH- RECOVERY TANK LEVEL (MAX)	LIVELLO TROPPO PIENO (N.O.)
	K03	SWITCH- SOLUTION TANK LEVEL (MIN)	LIVELLO MINIMO SERBATOIO (N.O.)
	K06	SWITCH- BATTERY RECHARGE SAFETY	MICRO SICUREZZA RICARICA BATTERIE
	M1A	MOTOR- BRUSH 1	MOTORE SPAZZOLA -1
	M1B	MOTOR- BRUSH 2 (ONLY DUBLE HEAD)	MOTORE SPAZZOLA -2 (ONLY DUBLE HEAD)
	M2	MOTOR- VACUUM	MOTORE ASPIRATORE
	T1A	THERMIC SWITCH BRUSH MOTOR 1	TERMICA MOTORE SPAZZOLA -1
	T1B	THERMIC SWITCH BRUSH MOTOR 2 (ONLY DUBLE HEAD)	TERMICA MOTORE SPAZZOLA -2 (ONLY DUBLE HEAD)

PLDC01963_1

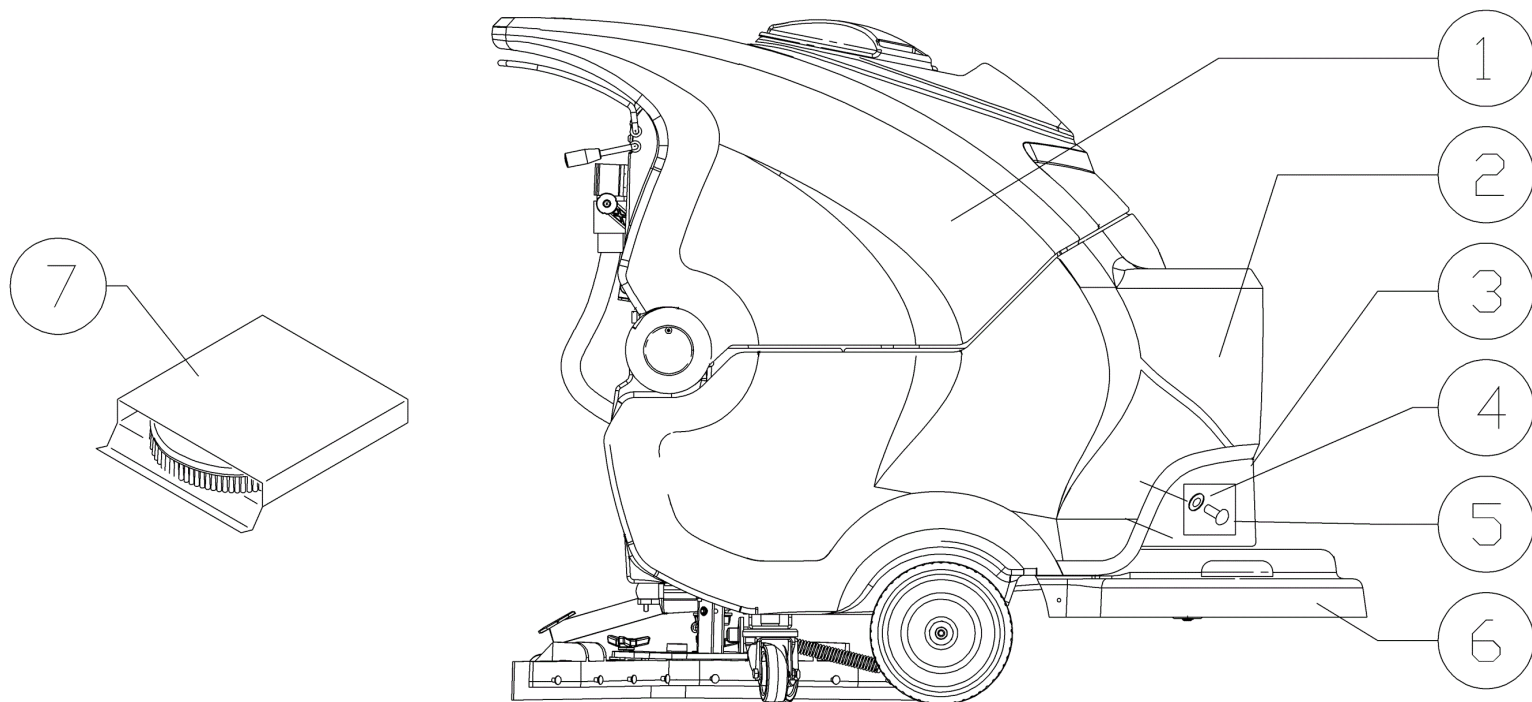
COMPONENTS

MS1	CONNECTOR- BATTERY POSITIVE	MORSETTO BATTERIA POSITIVO
MS2	CONNECTOR- BATTERY NEGATIVE	MORSETTO BATTERIA NEGATIVO
C1	CONNECTOR- BRUSH MOTOR 1	CONN. MOTORE SPAZZOLA -1
C2	CONNECTOR- THERMIC SW. BRUSH MOTOR 1	CONN. TERMICA MOTORE SPAZZOLA -1
C3	CONNECTOR- BRUSH MOTOR 2	CONN. MOTORE SPAZZOLA -2
C4	CONNECTOR- THERMIC SW. BRUSH MOTOR 2	CONN. TERMICA MOTORE SPAZZOLA -2
C5	CONNECTOR- VACUUM MOTOR	CONN. MOTORE ASPIRAZIONE
C6	CONNECTOR- "CHEM DOSE" ACCESSORY	CONN. CHEM-DOS
C9	CONNECTOR- BATTERY RECHARGE SAFETY	CONN.SICUREZZA RICARICA BATTERIE
C10	CONNECTOR- BOARD/ ELECTROVALVE	CONN. E.V. H2O DA SCHEDA ELETTRONICA
C11	CONNECTOR- HAND LEVER	CONN. LEVA TRAZIONE
C12	CONNECTOR- RECOVERY TANK LEVEL (MAX)	CONN. LIVELLO TROPPO PIENO
C13	CONNECTOR- SOLUTION TANK LEVEL (MIN)	CONN. LIVELLO MINIMO
C15	CONNECTOR- EXTERNAL BATT.CHARGER	CONN. MICRO C.B. ESTERNO
C17		
C19	CONNECTOR- BATTERY RECHARGE	SPINA ANDERSON RICARICA BATTERIE
CN1	CONNECTOR- CONTROL PANEL BOARD	CONN. 1 SCHEDA PLANCIA
CN2	CONNECTOR- CONTROL PANEL BOARD	CONN. 2 SCHEDA PLANCIA
CN3	CONNECTOR- CONTROL PANEL BOARD	CONN. 3 SCHEDA PLANCIA

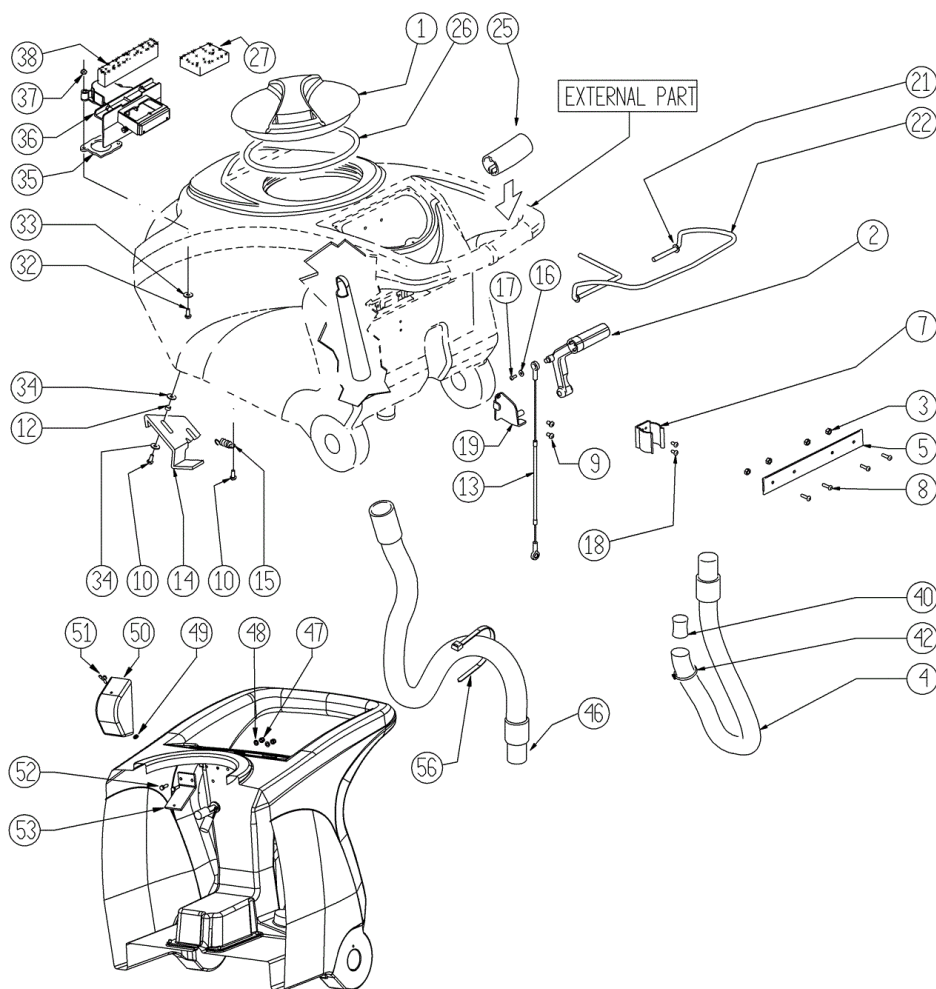
Ref.	K	Part N.	Customer Part N.	Description	Qty	Validity:		Price
						From	To	
EV1		MEEV00036		SOLENOID VALVE HOLE 8mm CLEANTIME	1,00			--
F11		MEVR02060		FUSE 40A	1,00			--
F12		MEVR02105		FUSE 50A OMEGA FT3050	1,00			--
F4		MEVR01428		FUSE A LAMA 2 A. UNIVAL	1,00			--
R01		METT00085		CONTACTOR 100A	1,00			--



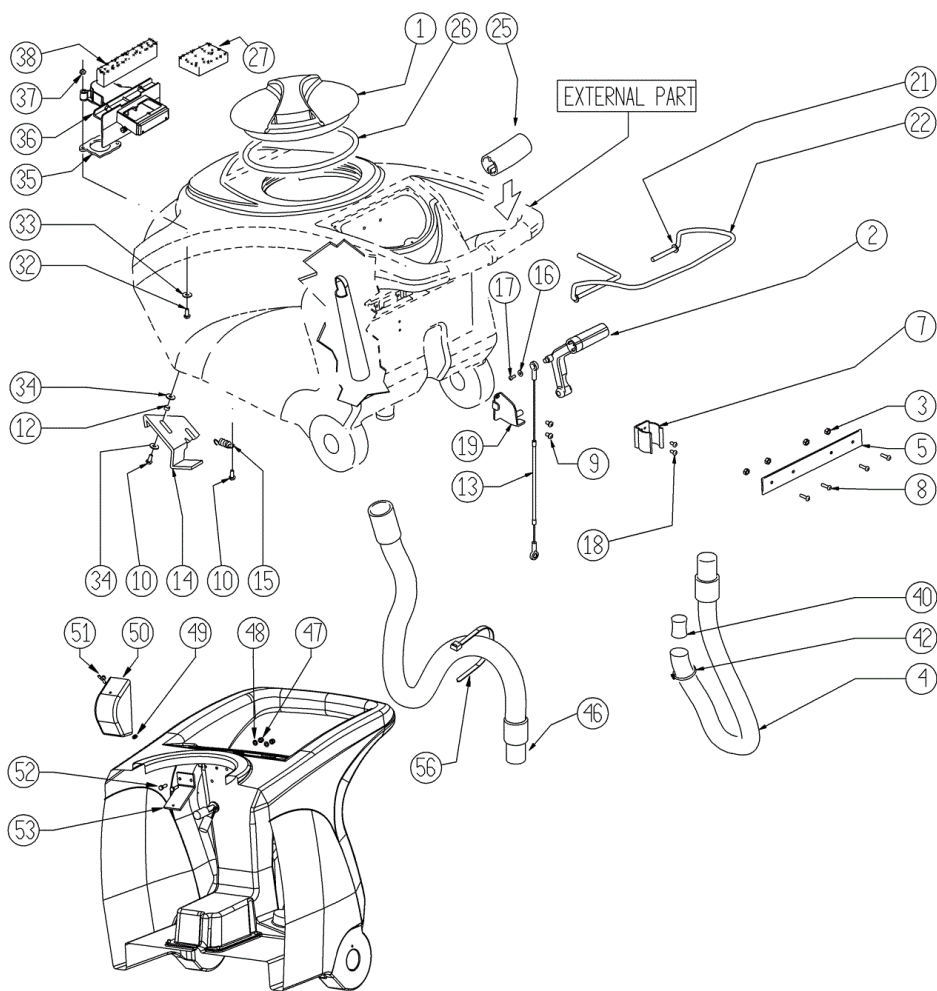
Ref. K	Part N.	Customer Part N.	Description	Qty	Validity:		Price
					From	To	
0001	GUGO00267		GASKET FILTRO	1,00			--
0002	FTAC00040		FILTER -	1,00			--
0003	LAFN07800		SHEET METAL PA.-	2,00			--
0004	MPVR06407		PIN -	2,00	09/2014		--
0004	MPVR48695		PIN SHK.BK	2,00		09/2014	--
0006	MPVR08003		CAP	1,00		12/2016	--
0006	MPVR10774		CAP 1/2"	1,00	12/2016		--
0007	LAFN06489		PLATE	1,00			--
0008	VTRS15144		WASHER D. 6 INX GRW UNI 1751	1,00			--
0009	VTVT01303		SCREW TE M6-10 INOX	1,00			--
0010	VTVR48693		INSERT M6 D.9	2,00			--
0012	VTRS13945		WASHER D. 6X18 INX UNI 6593	2,00			--
0013	VTRS15144		WASHER D. 6 INX GRW UNI 1751	2,00			--
0014	VTVT15143		SCREW TE 6X16 UNI5739	2,00			--
0015	MPVR02933		DUCT LOCK D.9,5	2,00			--
0017	VTVT48694		SCREW TCB TC 5 X12 UNI 9707 TZ	2,00		09/2014	--
0019	VTVT15961		SCREW M 5X 16 TCB TC UNI 7687	1,00			--
0020	PMVR02028		RUBBER GRUPPO MONTAGGIO	2,00			--
0029	VTVT15916		SCREW TE M 8X 16 UNI 5739 A2	4,00			--
0030	VTRS00269		WASHER D. 8 DIN 6798-A INX A2	4,00			--
0031	VTRS13947		WASHER D. 8 INX UNI 6592	4,00			--



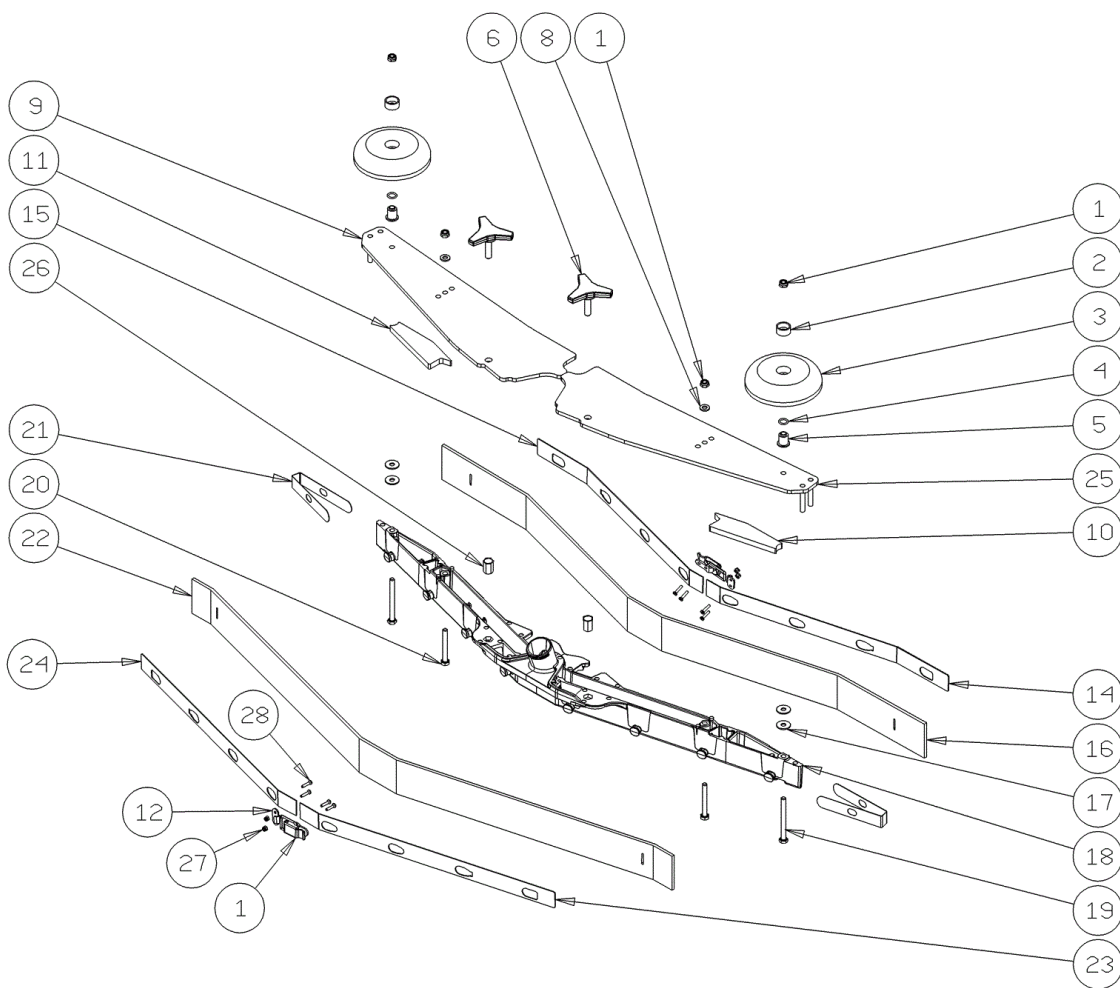
Ref.	K	Part N.	Customer Part N.	Description	Qty	Validity:		Price
						From	To	
0001		MPVR05929		TANK SOLUZIONE CT75	1,00			--
0002		MPVR05559		TANK SOLUTION CT70	1,00			--
0003		MPVR05208		COVERING 50-55	1,00			--
0004		VTRS00516		WASHER D. 5 INX	4,00			--
0005		VTVT15961		SCREW M 5X 16 TCB TC UNI 7687	4,00			--
0006		MPVR04722		BRUSH PROTECT. 55	1,00			--
0007		SPPV43963		BRUSH NYL 0.8 500	1,00			--



Ref. K	Part N.	Customer Part N.	Description	Qty	Validity:		Price
					From	To	
0001	MPVR04051		TANK CAP	1,00			--
0002	MPVR49942		LEVER SQUEEGEE LIFTING PP	1,00			--
0003	VTDD15518		NUT M 6 INX	4,00			--
0004	TBFX00348		TUBE CT40-70-90 HOSE DRAIN	1,00		04/2013	--
0004	TBFX00358		TUBE PU CT40/70/90	1,00	04/2013		--
0005	LAFN05865		PLATE COPRILEVA CONSENSO	1,00			--
0007	MPVR46988		CLIP LAV. SHK	1,00			--
0008	VTVT00651		SCREW TBEI M. 5x16 INOX	4,00			--
0009	VTVT15906		SCREW TE 6X 12 A2 UNI 5739	2,00			--
0010	VTVT15143		SCREW TE 6X16 UNI5739	3,00			--
0012	LAFN03626		SPACER	2,00			--
0013	CMCV00361		CABLE CABLE LIFTING SQUEEGEE HD	1,00			--
0014	LAFN06849		HANDLE CT 70	1,00			--
0015	MLML00203		SPRING	1,00			--
0016	VTRS00251		WASHER 4-16 INOX A2	1,00			--
0017	VTVT00800		SCREW TC 4X12 ZN	1,00			--
0018	VTVT21096		SCREW TE M 4X 10 INX	2,00			--
0019	LAFN05870		BRACKET LEVA SOLLEVAM. SQUEEGEE	1,00		09/2016	--
0019	LAFN11019		BRACKET -	1,00	09/2016		--
0021	VTRS13947		WASHER D. 8 INX UNI 6592	2,00			--
0022	LAFN05861		LEVER CONSENSO SPAZZOLE	1,00		06/2014	--
0022	LAFN09339		LEVER -	1,00	06/2014		--
0025	MPVR05215		KNOB -	2,00			--
0026	GUGO00263		GASKET CIRCOLARE TAPPO	1,00			--
0027	FTDP00133		FILTER VACUUM MOTOR	1,00			--
0032	VTVT01139		SCREW TE M.4-25	2,00			--
0033	VTRS00515		WASHER D. 4 INX	2,00			--
0034	VTRS00274		WASHER NYLON 66 D.8,4-17-2 UNI	4,00			--
0035	GUGO00417		GASKET SCATOLA ASPIRAZIONE	1,00			--
0036	MPVR05482		BOX -	1,00			--
0037	VTDD15925		NUT M 4 INX	2,00			--
0038	GUGO00418		GASKET CONDOTTO ASPIRAZIONE	1,00			--
0040	GUGO00245		GASKET	1,00			--
0042	FSVR43136		CLAMP D. 35-40 DF.	1,00			--
0046	KTRIO4696		KIT REPLACEMENT TBFX00353	1,00			--
0047	VTDD01693		NUT M 5 INX	2,00			--
0048	VTRS00516		WASHER D. 5 INX	2,00			--
0049	VTVR01038		WASHER -	1,00			--
0050	MPVR05596		PROTECTION -	1,00			--



Ref.	K	Part N.	Customer Part N.	Description	Qty	Validity:		Price
						From	To	
0051		VTVT01150		SCREW 4x10	1,00			--
0052		VTVT07725		SCREW TE 5X16 UNI5739 INX	2,00			--
0053		LAFN07631		BRACKET -	1,00			--
0056		FSVR00248		CLAMP -	1,00			--



Ref.	K	Part N.	Customer Part N.	Description	Qty	Validity:		Price
						From	To	
0001		LAFN09302		CLOSURE -	2,00	09/2013		--
0002		MPVR49229		BUSHING SHK	2,00			--
0003		MPVR05290		ROLLER PARACOLPI	2,00			--
0004		GUGO00164		GASKET	2,00			--
0005		LAFN04100		SPACER PER RUOTINO PARACOLPI	2,00			--
0006		MPVR06003		KNOB AISI 304	2,00		03/2013	--
0006		MPVR06004		KNOB AISI 304	2,00	03/2013		--
0008		VTRS00245		WASHER D.6 UNI 6592 INOX	2,00			--
0009		LAFN09012		PLATE -	1,00			--
0010		GUVR00301		GASKET -	1,00			--
0011		GUVR00300		GASKET -	1,00			--
0012		LAFN09301		SOCKET -	2,00	09/2013		--
0014		LAFN08948		BRACKET -	1,00		09/2013	--
0014		LAFN09279		SHEET METAL PA.-	1,00	09/2013		--
0015		LAFN08949		BRACKET -	1,00		09/2013	--
0015		LAFN09280		SHEET METAL PA.-	1,00	09/2013		--
0016		MPVR08039		BLADE S LATEX	1,00			--
0017		VTRS13945		WASHER D. 6X18 INX UNI 6593	4,00			--
0018		KTRI02048		BODY SQUEEGEE PRESSOFUSO "S"	1,00			--
0019		VTVT00841		SCREW TE M 6X65 UNI 5739 INX	2,00			--
0020		VTVT15515		SCREW TE M 6X 50 INOX A2	2,00			--
0021		MPVR05897		CLOSURE S	2,00			--
0022		MPVR08035		BLADE S LATEX	1,00			--
0023		LAFN08950		BRACKET -	1,00		09/2013	--
0023		LAFN09281		SHEET METAL PA.-	1,00	09/2013		--
0024		LAFN08951		BRACKET -	1,00		09/2013	--
0024		LAFN09283		SHEET METAL PA.-	1,00	09/2013		--
0025		LAFN09013		PLATE -	1,00			--
0026		VTVR00565		INSERT	2,00			--
0027		VTDD00210		NUT M 3 AUTOBL.DIN 985 IX.A2	8,00	09/2013		--
0028		VTVT01070		SCREW TSTC M3X8	8,00	09/2013		--