

Integrated Professional Cleaning



IPC Foma



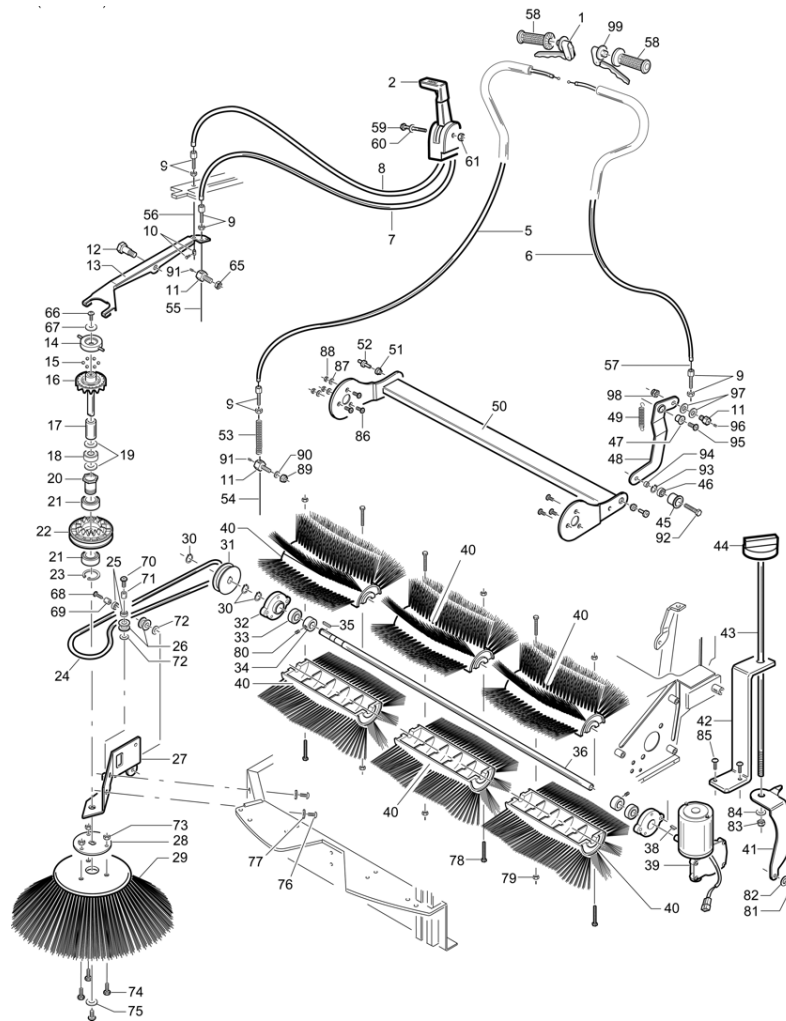
IPC Sverige

Spare Parts List

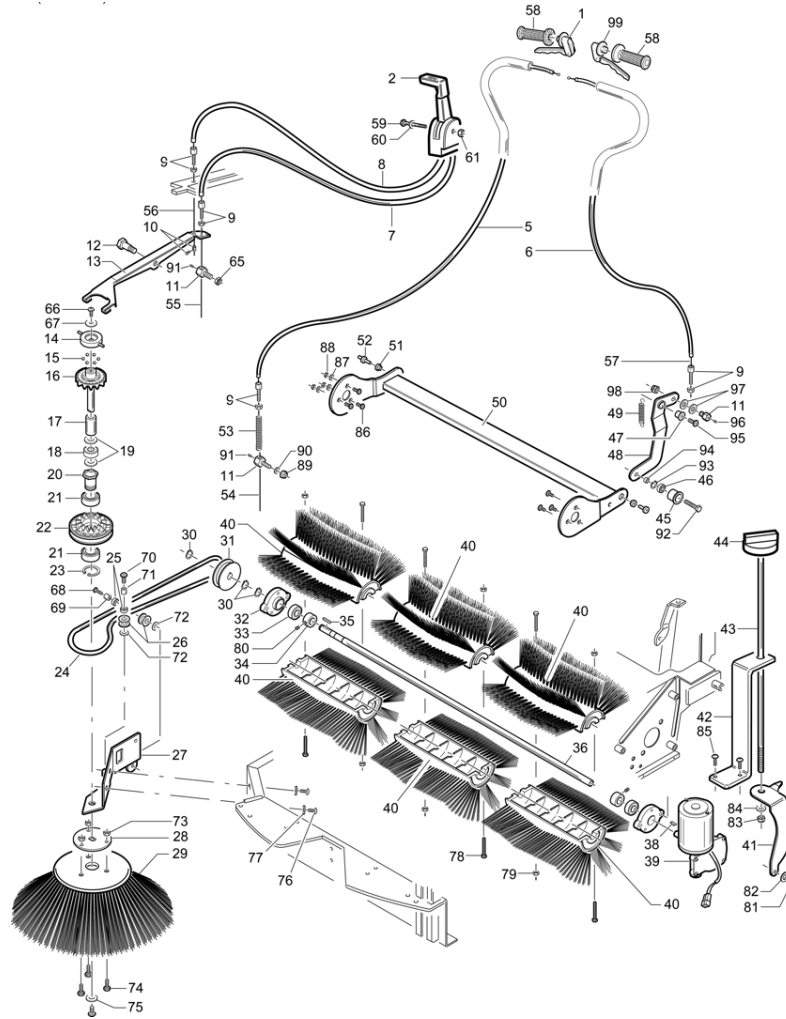
FOMA NORGE AS

Ref: MSUT00669

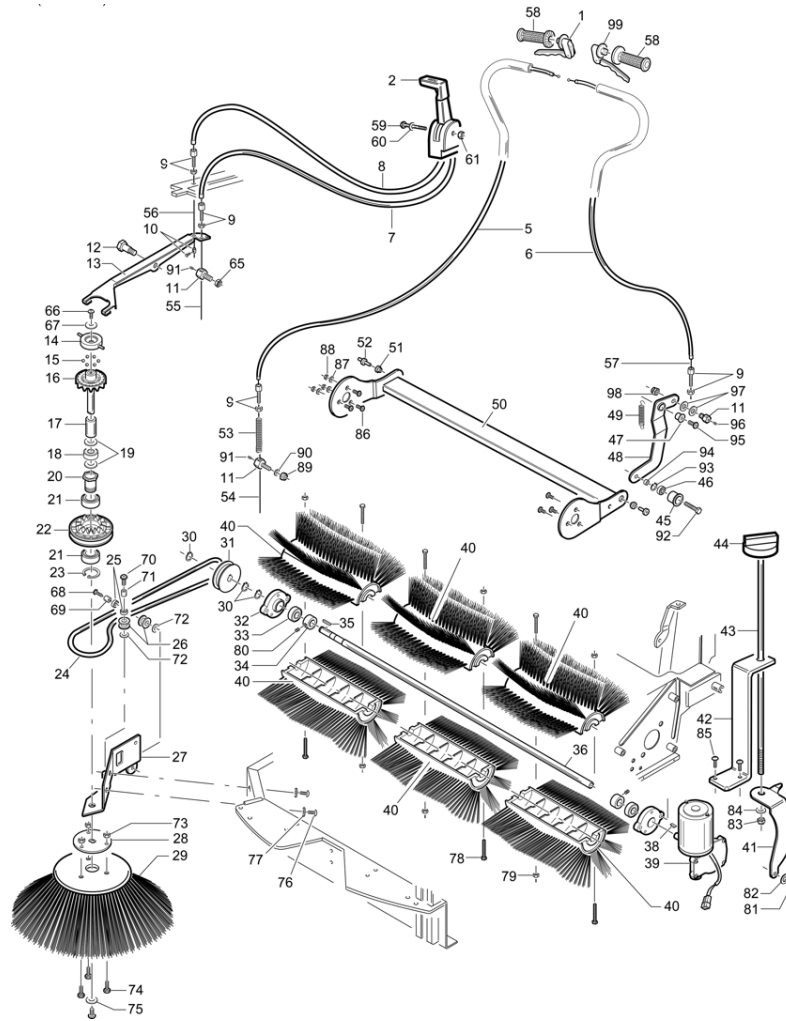
Model: SPAZZATRICE 712ET +SF+ C.K. GR/VE IPC



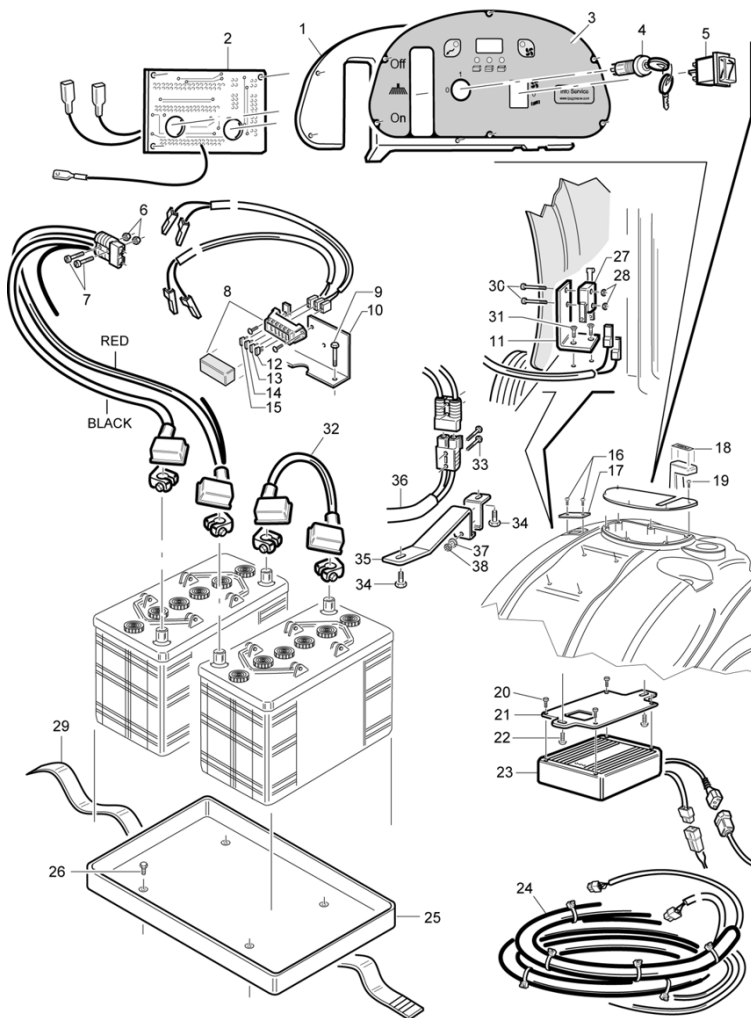
Ref.	K	Part N.	Customer Part N.	Description	Qty	Validity:		Price
						From	To	
0001		PMTR00089		HANDLE TRAZ.K E TK NUOVO MAN.COM	1,00			--
0002		MPVR00017		LEVER COMANDO SPAZZ.ASSEMBLATA	1,00			--
0005		CMCV00345		SHEATH 512-712 UT	1,00			--
0006		CMCV00347		SHEATH 512-712 UT	1,00		01/2010	--
0006		CMCV00440		SHEATH -	1,00	01/2010		--
0007		CMCV00351		SHEATH 512-712 UT	1,00			--
0008		CMCV00350		SHEATH 512-712 UT	1,00			--
0009		CMCV75723		REGISTER D.7	4,00			--
0010		CMCV75737		CLAMP D.7 art.857	1,00			--
0011		LAFN01068		SCREW CH.17 H.28 FISSAGGIO FILO	3,00			--
0012		LAFN75968		PIN	1,00			--
0013		LAFN75953		LEVER	1,00			--
0014		LAFN75824		RING	1,00			--
0015		SFVR00002		BALL 11/32"	6,00			--
0016		LAFN75826		RING	1,00			--
0017		LAFN75912		SPACER	1,00			--
0018		CUVR37344		ROLLER BEARING HK 1412	1,00			--
0019		VTRS75831		WASHER	2,00			--
0020		LAFN75833		BUSHING	1,00			--
0021		CUVR86893		BEARING 6005 2RS	2,00			--
0022		LAFN75827		RING	1,00			--
0023		VTAE09655		CIRCLIP D. 25 UNI 7435	1,00			--
0024		MTCG85335		BELT D. 8X1000	1,00			--
0025		CUVR75814		BEARING HK1012	2,00			--
0026		MTPL75996		PULLEY D.27x15	1,00			--
0027		LAFN76005		SUPPORT	1,00			--
0028		LAFN75986		FLANGE	1,00			--
0029		PMVR00248		SIDE-BRUSH TK COMPLETA PPL 70	1,00			--
0030		VTAE17003		CIRCLIP D. 15 UNI 7435	3,00			--
0031		MTPL00003		PULLEY SPAZZOLA LATERALE D.17	1,00			--
0032		MPVR00830		SUPPORT T.90 DX/SX(5 INS.)+CUSC.	2,00			--
0033		CUVR00008		BEARING 6003 2RS	2,00			--
0034		LAFN00258		SPACER ALBERO SPAZZOLA TK700	2,00			--
0035		VTVR26559		KEY 5X5X15	1,00			--
0036		ALTR00010		BRUSH SHAFT CENTRALA 711/721ET	1,00			--
0037		LAFN75971		PIN	1,00			--
0038		VTVR75730		KEY UNI 6606 3 X 3,7	1,00			--
0039		MOCC00005		MOTOR.GEARBOX D.77 24V 210RPM BIG	1,00			--
0040		SPPV00044		CARRYNG BAG	3,00			--



Ref.	K	Part N.	Customer Part N.	Description	Qty	Validity:		Price
						From	To	
0041		LAFN00342		BRACKET REGOL.SPAZ.CENTR.TKE ZINC	1,00			--
0042		LAFN07265		BRACKET 512-712	1,00			--
0043		LAFN07266		ROD 512-712	1,00			--
0044		MPVR10084		SWITCH KNOB O.K.A.	1,00			--
0045		MTPL37338		PULLEY L.50TE	1,00			--
0046		CUVR71988		BEARING 608 2RS	1,00			--
0047		MPVR75836		BUSHING NYLON TK	1,00			--
0048		LAFN87609		BRACKET TENDICINGHIA TKE ZINCATA	1,00			--
0049		MLML75960		SPRING D. 8 X1 X32	1,00			--
0050		LAFN07291		BALANCER 712	1,00			--
0051		LAFN75834		BUSHING	2,00			--
0052		LAFN76019		PIN D.15 H.25 TK	2,00			--
0053		MLML00033		SPRING ALZAFLAP SILVER ZB	1,00			--
0054		CMCV00346		CABLE 512-712 UT	1,00			--
0055		CMCV00349		CABLE 512-712 UT	1,00			--
0057		CMCV00348		CABLE 512-712 UT	1,00			--
0057		CMCV00441		CABLE -	1,00	01/2010	01/2010	--
0058		MPVR00036		KNOB GOMMA NERA D.24/24 FORATA	2,00			--
0059		LAFN75738		TRIGGER	1,00			--
0061		LAFN75738		TRIGGER	1,00			--
0065		VTDD13261		NUT M 8X1 UNI 5589	1,00			--
0066		VTVT75724		SCREW TBEI M 8X 22 ISO 7380 ZB	1,00			--
0067		VTRS00513		WASHER D. 8 X32 P.	1,00			--
0068		VTVT75727		SCREW 8 X 25 TBCE Z.B.	1,00			--
0069		LAFN75840		BUSHING D.10x15.6	1,00			--
0070		VTVT75727		SCREW 8 X 25 TBCE Z.B.	1,00			--
0071		LAFN75840		BUSHING D.10x15.6	1,00			--
0072		VTRS00504		WASHER D. 8 TE ZC. UNI 6592	1,00			--
0073		VTDD13261		NUT M 8X1 UNI 5589	3,00			--
0074		VTVT00527		SCREW TE FR 6X10 ZB ZIG.	3,00			--
0075		VTRS63242		WASHER D. 6 X24 ZC	1,00			--
0076		VTVT45395		SCREW TBEI M 8X 10 ISO 7380 ZB	2,00			--
0077		VTRS00512		WASHER D. 8 X24 ZC.	2,00			--
0078		VTVT22102		SCREW TCEI 5X70 UNI5931	4,00			--
0079		VTDD01678		NUT M 5 UNI 5588	4,00			--
0080		VTVT75731		SCREW UNI 5923 6 X5	2,00			--
0081		VTAE14016		CIRCLIP D. 12 UNI 7435	1,00			--
0082		VTRS00504		WASHER D. 8 TE ZC. UNI 6592	1,00			--
0083		VTDD00124		NUT M 8 BASSO	1,00			--

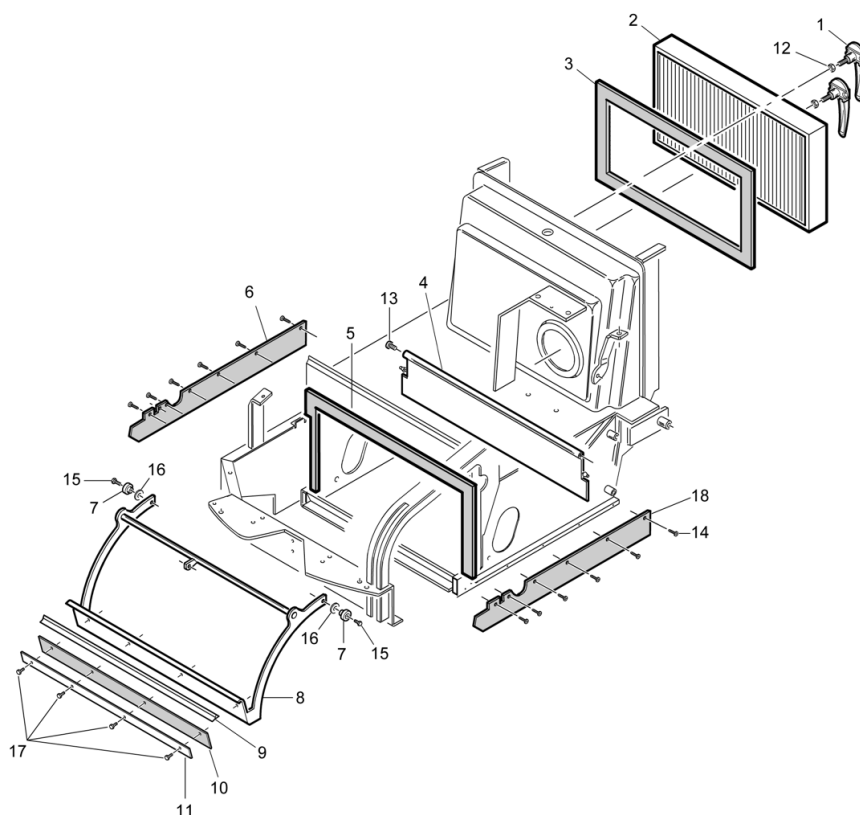


Ref.	K	Part N.	Customer Part N.	Description	Qty	Validity:		Price
						From	To	
0084		VTRS00504		WASHER D. 8 TE ZC. UNI 6592	1,00			--
0086		VTVT00061		SCREW TSCE UNI 5933 6X20 ZB	6,00			--
0087		VTRS00503		WASHER D. 6 TE UNI 6798	3,00			--
0088		VTDD00491		NUT M 6 TEF	3,00			--
0089		VTDD00124		NUT M 8 BASSO	1,00			--
0090		VTRS00504		WASHER D. 8 TE ZC. UNI 6592	1,00			--
0091		VTVT87456		SCREW UNI 5923 5x6	1,00			--
0091		VTVT87456		SCREW UNI 5923 5x6	1,00			--
0092		VTVT76018		SCREW	1,00			--
0093		VTAE87082		SEGER INTERNO DIN 472 D.22	1,00			--
0094		LAFN75909		SPACER D.12 H.3.5	1,00			--
0095		VTVT75727		SCREW 8 X 25 TBCE Z.B.	1,00			--
0096		VTVT87456		SCREW UNI 5923 5x6	1,00			--
0097		VTRS00504		WASHER D. 8 TE ZC. UNI 6592	2,00			--
0098		VTDD00124		NUT M 8 BASSO	1,00			--
0099		PMTR00088		HANDLE TRAZ.K E TK NUOVO MAN.COM	1,00			--

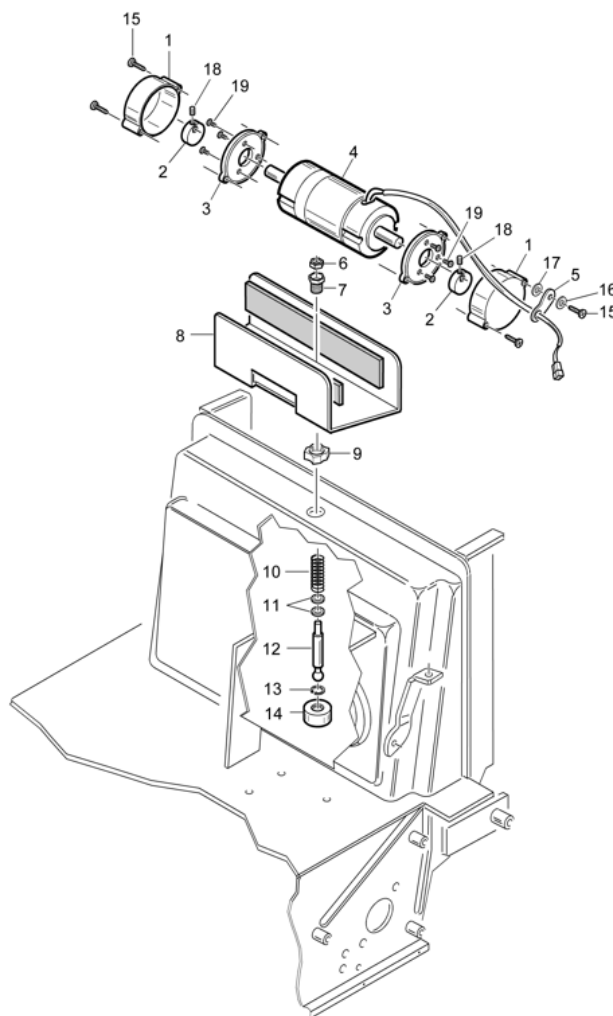


Ref.	K	Part N.	Customer Part N.	Description	Qty	Validity:		Price
						From	To	
0001		LAFN07432		BOARD 512-712 UT	1,00			--
0002		MECE00005		BOARD COMANDO 24V MOD.TK/K	1,00			--
0003		ETET01577		LABEL 512-712	1,00			--
0004		MECI75805		SWITCH TK	1,00			--
0005		MECI00034		COMMUTAT.SWITCHSCUOTIFILTRO COMPLETO	1,00			--
0006		VTDD00001		NUT UNI 5588 M3 ZB	2,00			--
0007		VTVT00021		SCREW TE UNI 5739 3X25 ZB	2,00			--
0008		MEVR00030		FUSE-HOLDER 4 VIE COPERCHIO TRAS.	1,00			--
0009		VTVT75726		SCREW TBEI M 6X 16 ISO 7380 ZB	2,00			--
0010		LAFN06857		SUPPORT 512-712UT	1,00			--
0011		LAFN06858		SUPPORT 512-712UT	1,00			--
0012		MEVR01136		FUSE 30A	1,00			--
0013		MEVR01136		FUSE 30A	1,00			--
0014		MEVR01136		FUSE 30A	1,00			--
0015		MEVR01136		FUSE 30A	1,00			--
0016		VTVT00892		SCREW	2,00			--
0017		MPVR05254		FLANGE CARICABATTERIA	1,00			--
0018		ETET00041		LABEL PUSH 4.3X1.3	1,00			--
0019		VTVT37012		SCREW M 4X 10 TCB-TC INX	6,00			--
0020		VTVT05706		SCREW TCB-TC 4X10	4,00			--
0021		LAFN07267		BRACKET 512-712	1,00			--
0022		VTVT05706		SCREW TCB-TC 4X10	2,00			--
0023		BACA00123		BATTERY-CHARGERCBHD1 24V 10A	1,00			--
0024		MECB01044		WIRING 512	1,00			--
0025		LAFN35588		BATTERY SUPPORTLAV. BT	1,00			--
0026		VTVT00039		SCREW TC UNI 6954 3.5X10 AUTOF.	2,00			--
0027		MECI30642		MICRO-SWITCH 11A 0.33HP	2,00			--
0028		VTDD09556		NUT M3 TEFLON	2,00			--
0029		MPVR02939		BELT BATTERIA	1,00			--
0030		VTVT00018		SCREW TE UNI 5739 3X30 ZB	2,00			--
0031		VTVT00003		SCREW TE M 4X 12 ZC. UNI 5739	2,00			--
0032		MEVR34820		WIRING B 450 BT	1,00			--
0033		VTVT00727		SCREW TE M. 4-20	2,00	11/2008		--
0034		VTVT00005		SCREW TE FR 5X12 ZB	2,00	11/2008		--
0035		LAFN07187		BRACKET -	1,00	11/2008		--
0036		MECB01071		WIRING -	1,00	11/2008		--
0037		VTRS15913		WASHER D. 4 GROVER A2 UNI1751	2,00	11/2008		--
0038		VTDD00147		NUT M 4 INX U.5588	2,00	11/2008		--

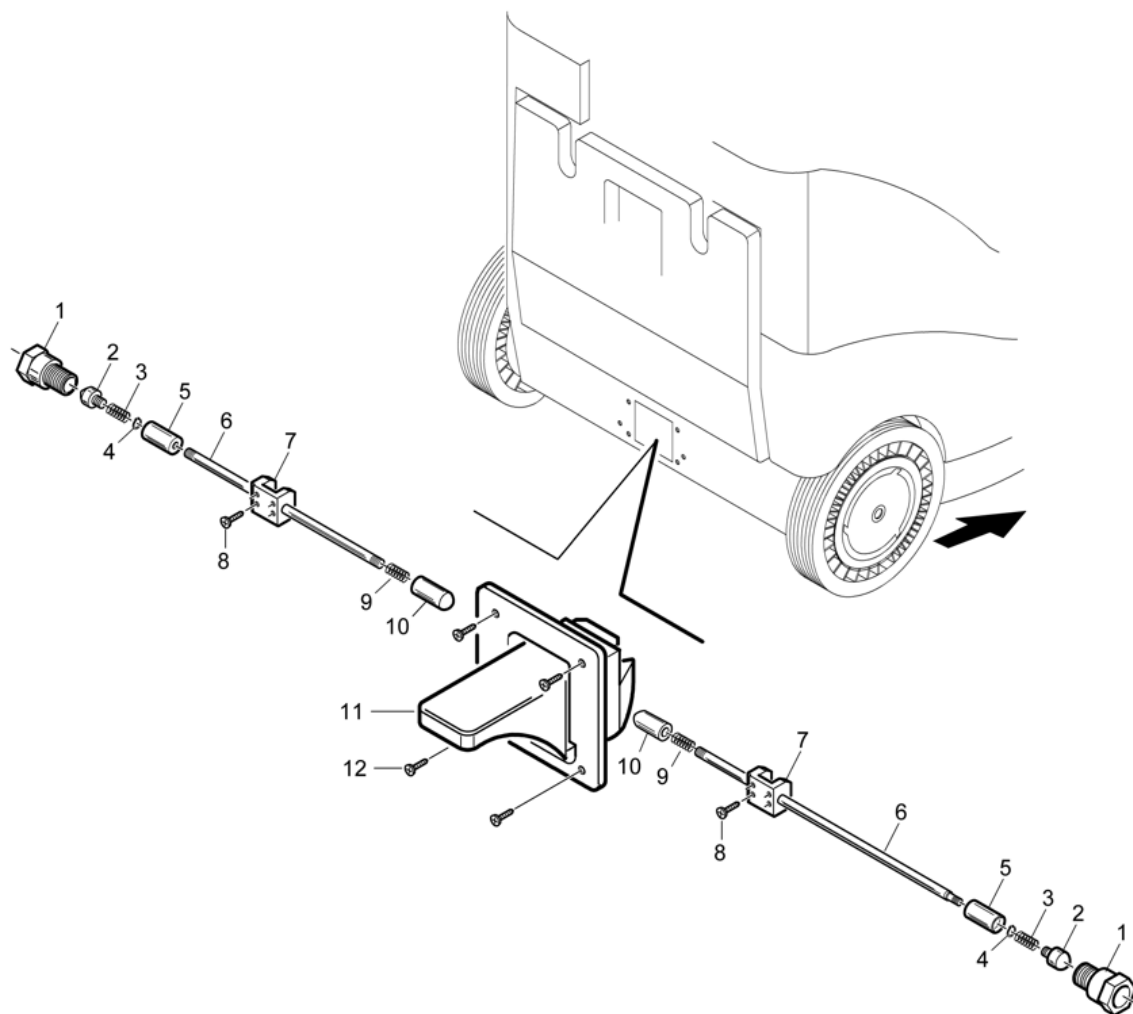
IP-CLEANING - TAV. 05-R
SILVER 512 - 712
(16.10.2007)



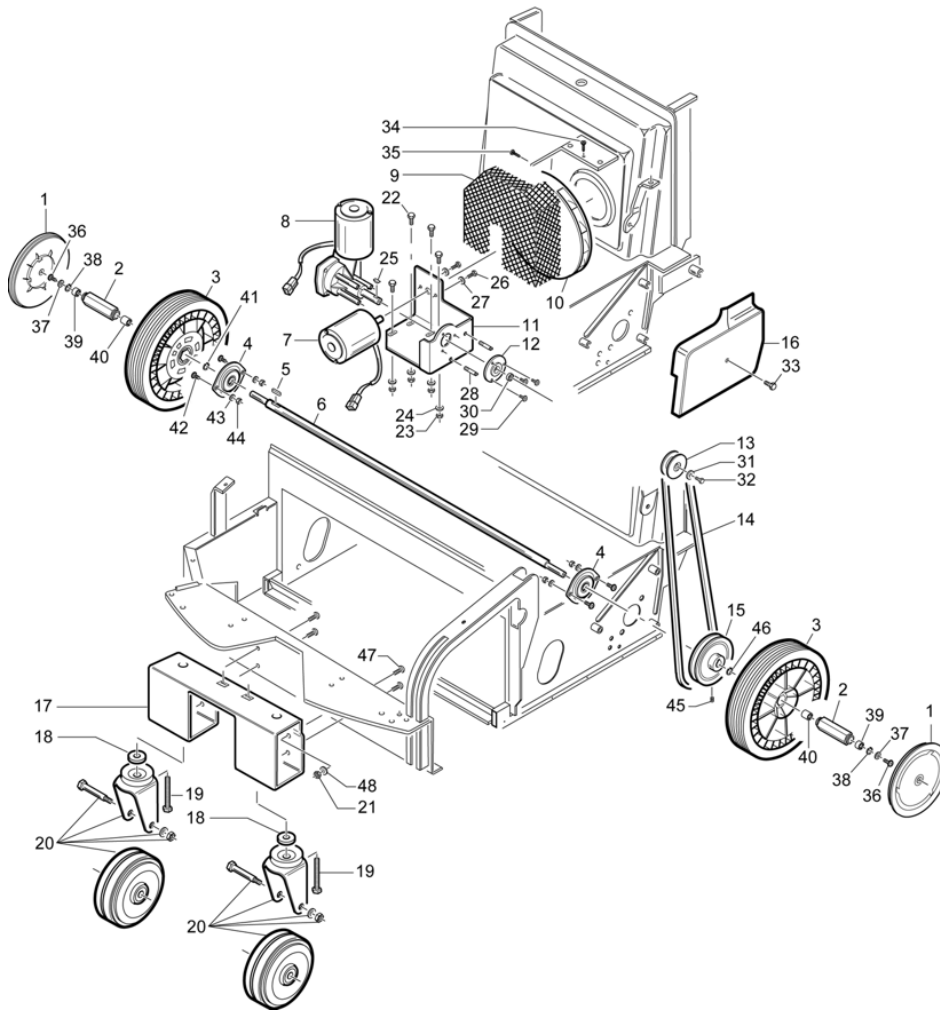
Ref.	K	Part N.	Customer Part N.	Description	Qty	Validity:		Price
						From	To	
0001		PMVR00383		HANDLE BLOCCAGGIO FILTRO SILVER	2,00			--
0002		FTDP85299		FILTER SW 740/741	1,00			--
0003		KTRI75931		FOAM KIT 15X5 TK	1,00			--
0004		MPVR05307		FLAP 712	1,00			--
0005		KTRI00011		MOUSSE KIT ADES.30X15 CASS.ANTER.710	1,00		07/2008	--
0005		KTRI01820		KIT 712	1,00	08/2008		--
0006		MPVR05267		FLAP 512-712	1,00			--
0007		LAFN00188		BUSHING OTTONE BRAC.ALZAFL.SILVER	2,00			--
0008		LAFN07364		BALANCER 712	1,00			--
0009		MPVR00732		RUBBER ALZAFLAP SERIE 700	1,00			--
0010		MPVR48757		RUBBER FLAP TK 700	1,00			--
0011		LAFN00332		CLAMP GOMMA ALZAFLAP 700	1,00			--
0012		VTDD00483		NUT M 8 ZIN UNI 5588	2,00			--
0013		VTVT47025		SCREW TBEI M 10X 16 ISO 7380 ZB	2,00			--
0014		VTVT01295		SCREW 3,5X9,5 TS80 UNI 6955 ZB	10,00			--
0015		VTVT75724		SCREW TBEI M 8X 22 ISO 7380 ZB	2,00			--
0016		VTRS00512		WASHER D. 8 X24 ZC.	2,00			--
0017		VTVT00040		SCREW AUTOF.TC UNI6954 3,5X10SP	4,00			--
0018		MPVR05268		FLAP 512-712	1,00			--



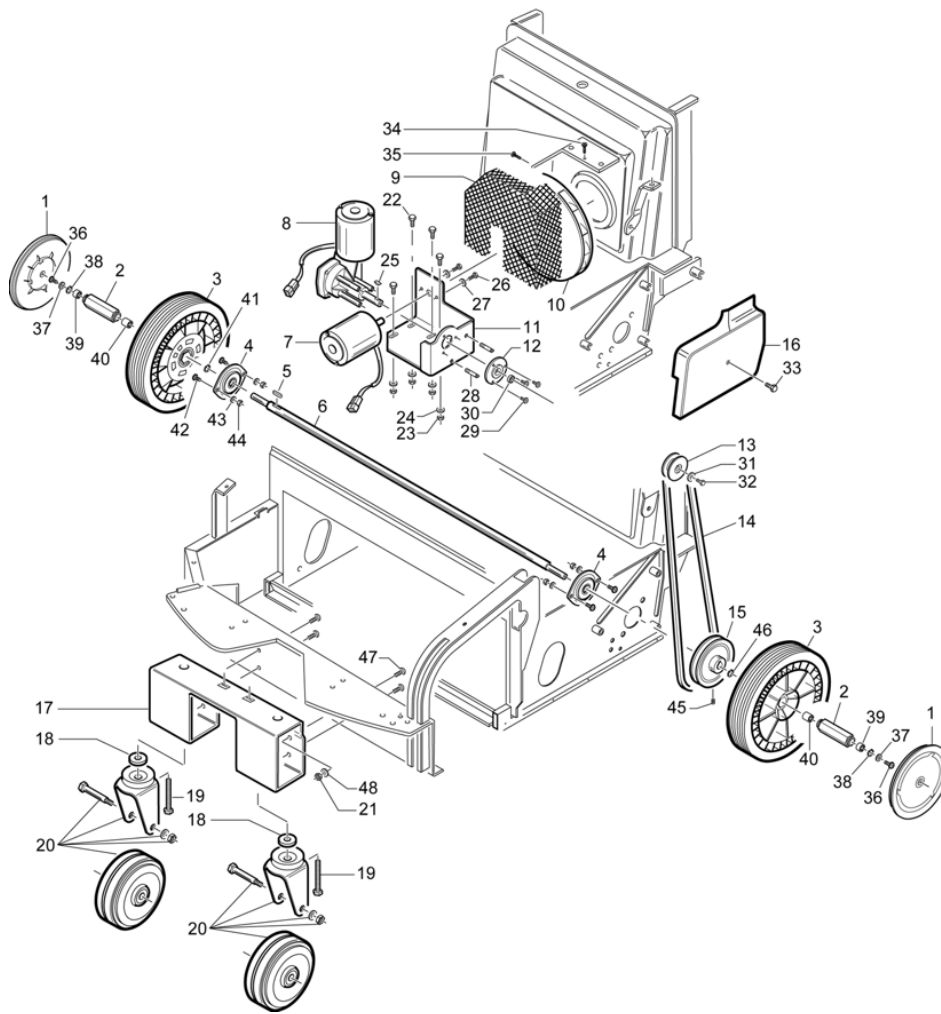
Ref.	K	Part N.	Customer Part N.	Description	Qty	Validity:		Price
						From	To	
0001		LAFN47139		MOTOR COVER L.14 FILT.	2,00			--
0002		LAFN47140		BUSHING L.14	2,00			--
0003		MFVR47141		FLANGE MOTOR L.14	2,00			--
0004		MOCC00004		MOTOR D.63 24V G3800 W35	1,00			--
0005		MPVR00765		RUBBER FISSAGGIO FILO SCUOTIFIL.	1,00			--
0006		VTDD00008		NUT M10 UNI 5589 ZB	1,00			--
0007		ABGO00012		VIBRATION DAMP.PER SCUOTIFILTRO	1,00			--
0008		LAFN00676		SUPPORT MOTORE X SCUOTIF.E VERN.	1,00			--
0009		LAFN36319		RING NUT M25X1.5-10.3	1,00			--
0010		MLML85610		SPRING TK2205017	1,00			--
0011		GUGO19260		O-RING D. 8 X 1 NBR 70SH	2,00			--
0012		LAFN00428		PIN D.15 H.78 A SFERA SCUOT.	1,00			--
0013		VTAE00007		SEEGER INTERNO DIN 472 D.16	1,00			--
0014		LAFN00417		ARTICULATED BARTK500/700	1,00			--
0015		VTVT47138		SCREW TSP-TC 3,9X32 ZC. UNI6955	4,00			--
0016		VTRS05904		WASHER D. 4 X16 2.083	1,00			--
0017		VTRS05904		WASHER D. 4 X16 2.083	1,00			--
0018		VTVT75731		SCREW UNI 5923 6 X5	2,00			--
0019		VTVT76616		SCREW M 4x18 STEAM GUN	6,00			--



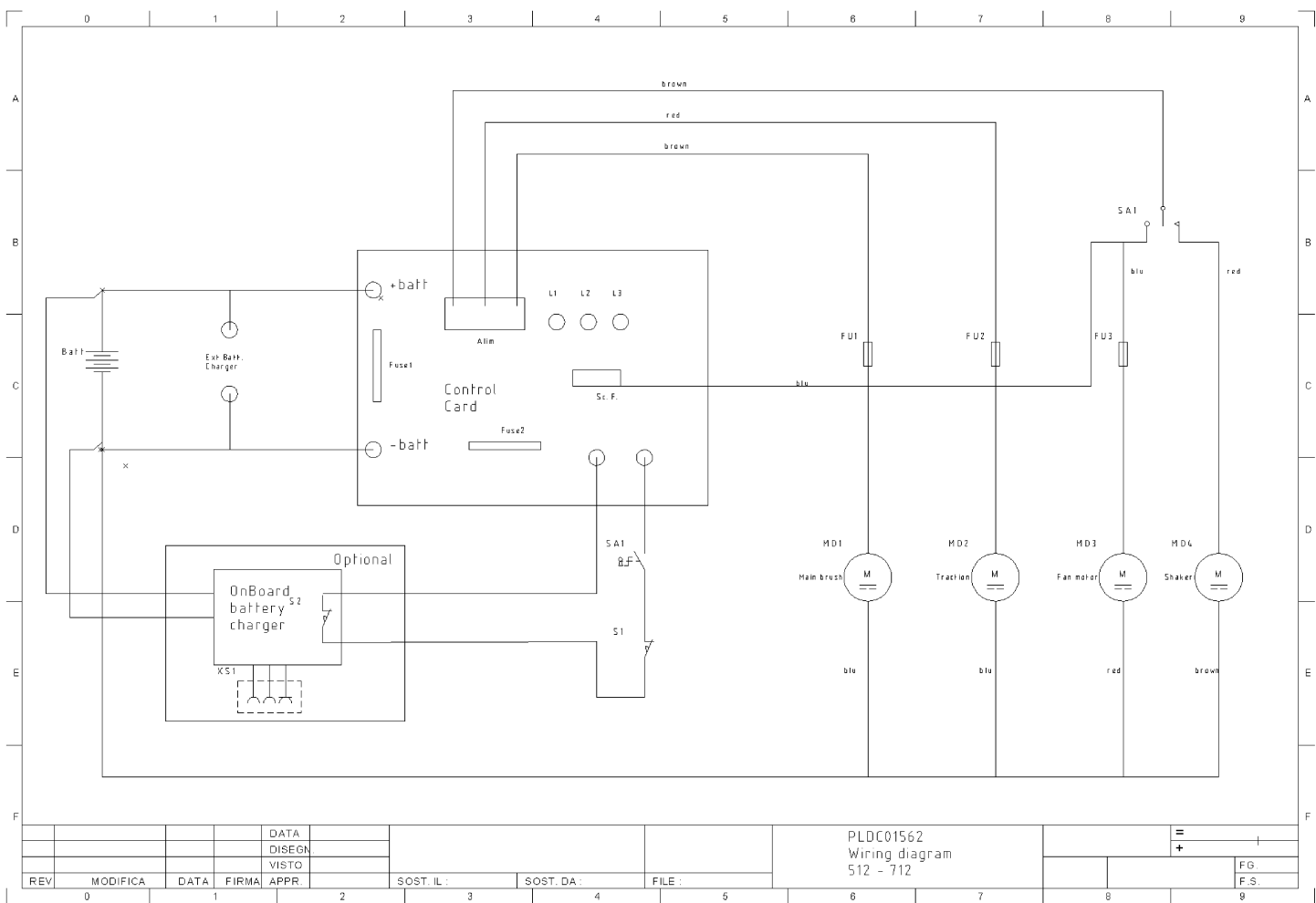
Ref.	K	Part N.	Customer Part N.	Description	Qty	Validity:		Price
						From	To	
0001		LAFN00335		RING NUT X PERNO GUIDA FRENO STAZ.	2,00			--
0002		LAFN00460		PIN BLOCC.RUOTA FRENO STAZ.	2,00			--
0003		MLML00012		SPRING COMPRES.X FRE.STAZ.L.23zb	2,00			--
0004		VTAE48552		CIRCLIP D. 6 UNI 7435	2,00			--
0005		LAFN00071		BUSHING PORTAMOLLA FRENO DI STAZ.	2,00			--
0006		LAFN00459		PIN INNESTO FRENO STAZION.	2,00			--
0007		LAFN00072		BLOCK GUIDA PERNO INN.FRENO	2,00			--
0008		VTVT00045		SCREW AUTOF.TC UNI 6954 4,8X16	6,00			--
0009		MLML00011		SPRING COMPRES.X FRE.STAZ.L.46zb	2,00			--
0010		LAFN00461		PIN SPINTA X FRENO STAZION.	2,00			--
0011		PMVR00160		PEDALE FRENO	1,00			--
0012		VTVT00045		SCREW AUTOF.TC UNI 6954 4,8X16	4,00			--



Ref.	K	Part N.	Customer Part N.	Description	Qty	Validity:		Price
						From	To	
0001		MPVR00541		WHEEL'S COVER D.200 NERO	2,00			--
0002		LAFN75838		BUSHING	2,00			--
0003		RTRT00031		WHEEL GOMMA D.250X55 GR.CERC.NE	2,00			--
0004		CUVR75815		BALL BEARING UBPF203	2,00			--
0005		VTVR26559		KEY 5X5X15	1,00			--
0006		ALTR00006		TRACTION SHAFT TK 700 H.866,2	1,00			--
0007		MOCC45111		MOTOR D.77 24V	1,00			--
0008		MOCC00005		MOTOR.GEARBOX D.77 24V 210RPM BIG	1,00			--
0009		LAFN00876		PROTECTION	1,00	07/2008		--
0010		VEVR26677		IMPELLER D.200 L.50HE	1,00			--
0011		LAFN00652		SUPPORT MOTORI TK ZINCATO	1,00			--
0012		LAFN00646		SUPPORT CUSCINET.6201 RIDUT.TRAZ.	1,00			--
0013		MTPL00013		PULLEY D.60 RIDUTT.TRAZ.711ET	1,00			--
0014		MTCG13166		BELT Z 30	1,00			--
0015		MTPL75984		PULLEY D.140	1,00			--
0016		MPVR00611		CONVEYOR ARIA VERSIONE ELETTRICA	1,00			--
0017		LAFN07375		BRACKET 712 UT	1,00			--
0018		LAFN00260		SPACER FISSEG.RUOTA ANTER.H 16	2,00			--
0019		VTVT00028		SCREW TE UNI 5739 12X45 ZB	2,00			--
0020		RTRT87241		WHEEL D.100	2,00			--
0021		VTDD00491		NUT M 6 TEF	8,00			--
0022		VTVT62920		SCREW TE F/ROND. M 6X 16 ZB	4,00			--
0023		VTDD00491		NUT M 6 TEF	4,00			--
0024		VTRS04026		WASHER D. 6X18X2.38	4,00			--
0025		VTVR75730		KEY UNI 6606 3 X 3,7	1,00			--
0026		VTVT14062		SCREW TE 5X16 UNI5739	2,00			--
0027		VTRS00291		WASHER D. 5 X20 ZC UNI 6593	2,00			--
0028		LAFN75969		PIN D.9 H.33	1,00			--
0029		VTVT85745		SCREW TBEI M 6X 25 ISO 7380 ZB	3,00			--
0030		CUVR86373		BEARING 6000 2RS	1,00			--
0031		VTRS00291		WASHER D. 5 X20 ZC UNI 6593	1,00			--
0032		VTVT00003		SCREW TE M 4X 12 ZC. UNI 5739	1,00			--
0033		VTVT00527		SCREW TE FR 6X10 ZB ZIG.	1,00			--
0034		VTVT00099		SCREW AUTOF.TC UNI 6954 3,9X13	1,00			--
0035		VTVT00099		SCREW AUTOF.TC UNI 6954 3,9X13	1,00			--
0036		VTVT75725		SCREW TBEI M 6X 10 ISO 7380 ZB	2,00			--
0037		VTRS63242		WASHER D. 6 X24 ZC	2,00			--
0038		VTAE28493		CIRCLIP D. 28 UNI 7435	2,00			--
0039		CUVR37341		ROLLER BEARING HFL 1426	2,00			--



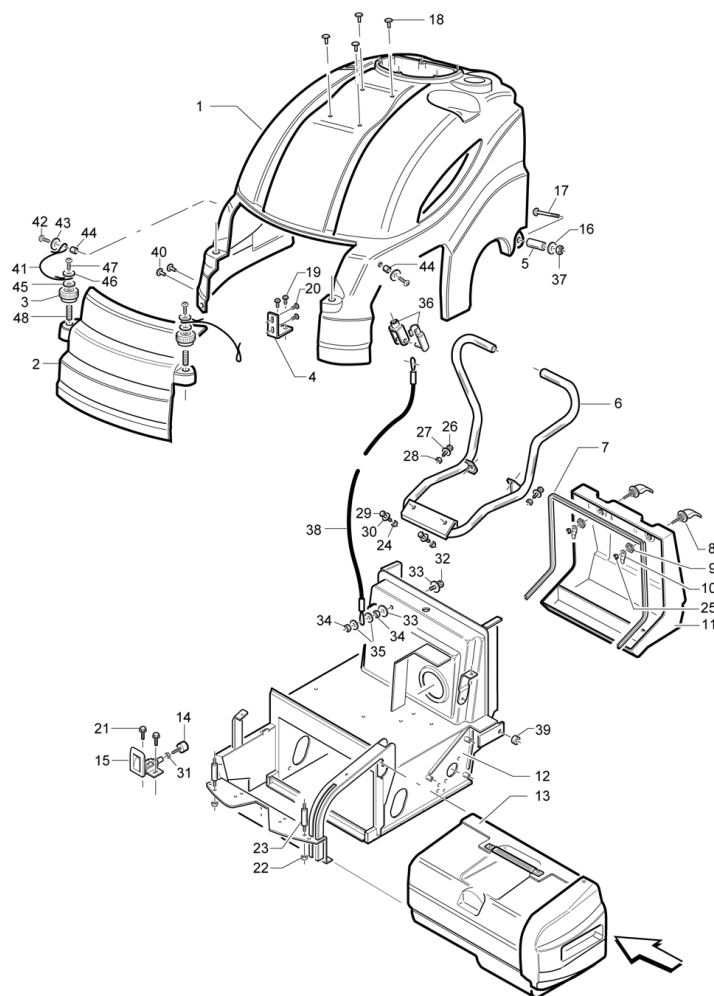
Ref. K	Part N.	Customer Part N.	Description	Qty	Validity:		Price
					From	To	
0040	CUVR37344		ROLLER BEARING HK 1412	2,00			--
0041	VTAE28493		CIRCLIP D. 28 UNI 7435	1,00			--
0042	VTVT75721		SCREW TTDE UNI 5732 6 X 16 ZB	4,00			--
0043	VTRS00503		WASHER D. 6 TE UNI 6798	4,00			--
0044	VTDD00491		NUT M 6 TEF	4,00			--
0045	VTVT86570		GRUB SCREW M 6x10 UNI 5927	1,00			--
0046	VTAE28493		CIRCLIP D. 28 UNI 7435	1,00			--
0047	VTVT75726		SCREW TBEI M 6X 16 ISO 7380 ZB	8,00			--
0048	VTRS04026		WASHER D. 6X18X2.38	8,00			--



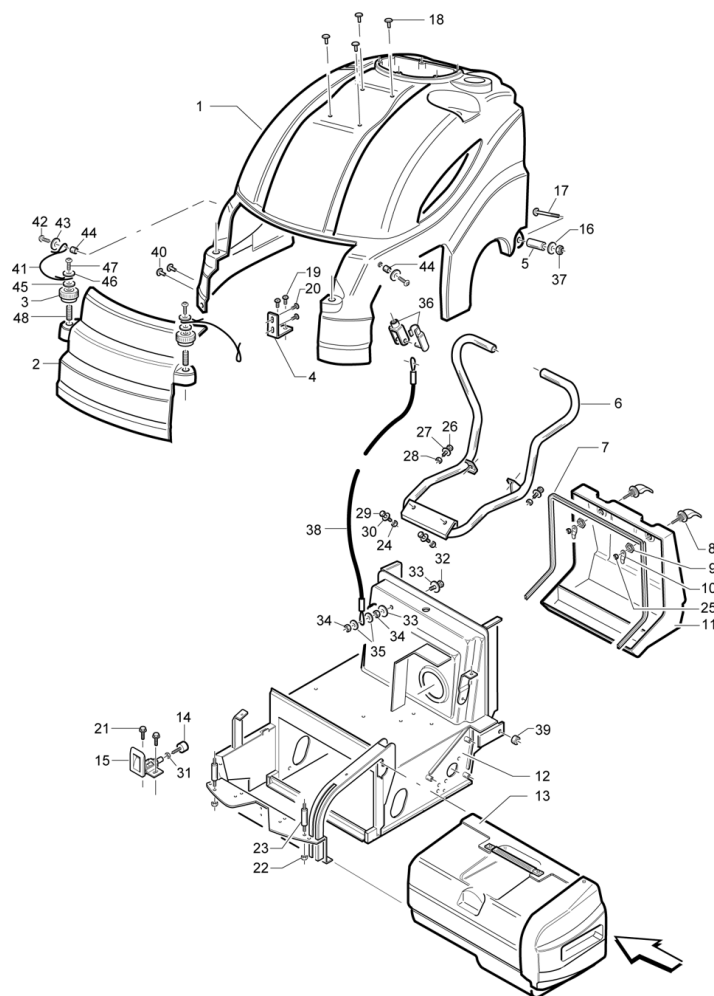
Ref.	K	Part N.	Customer Part N.	Description	Qty	Validity:	From	To	Price
FU1		MEVR01136		FUSE 30A	1,00				--
FU2		MEVR01136		FUSE 30A	1,00				--
FU3		MEVR01136		FUSE 30A	1,00				--

0	1	2	3	4	5	6	7	8	9																																																																																																																								
<table border="1"> <thead> <tr> <th>Sim.\Sym</th><th>Sigla\Item</th><th>Funzione\Use Type</th><th>Sim.\Sym</th><th>Sigla\Item</th><th>Funzione\Use Type</th><th>Sim.\Sym</th><th>Sigla\Item</th><th>Funzione\Use Type</th><th></th> </tr> </thead> <tbody> <tr> <td></td><td>Batt +06 1</td><td>Battery</td><td></td><td>XS1 +06 1</td><td>Plug</td><td></td><td></td><td></td><td></td> </tr> <tr> <td></td><td>FU1 +06 1</td><td>Fuse</td><td></td><td></td><td></td><td></td><td></td><td></td><td></td> </tr> <tr> <td></td><td>FU2 +06 1</td><td>Fuse</td><td></td><td></td><td></td><td></td><td></td><td></td><td></td> </tr> <tr> <td></td><td>FU3 +06 1</td><td>Fuse</td><td></td><td></td><td></td><td></td><td></td><td></td><td></td> </tr> <tr> <td></td><td>MD1 +06 1</td><td>Main brush</td><td></td><td></td><td></td><td></td><td></td><td></td><td></td> </tr> <tr> <td></td><td>MD2 +06 1</td><td>Traction</td><td></td><td></td><td></td><td></td><td></td><td></td><td></td> </tr> <tr> <td></td><td>MD3 +06 1</td><td>Fan motor</td><td></td><td></td><td></td><td></td><td></td><td></td><td></td> </tr> <tr> <td></td><td>MD4 +06 1</td><td>Shaker</td><td></td><td></td><td></td><td></td><td></td><td></td><td></td> </tr> <tr> <td></td><td>S1 +06 1</td><td>Hood microswitch</td><td></td><td></td><td></td><td></td><td></td><td></td><td></td> </tr> <tr> <td></td><td>S2 +06 1</td><td>Battery charger enable switch</td><td></td><td></td><td></td><td></td><td></td><td></td><td></td> </tr> <tr> <td></td><td>S A1 +06 1</td><td>TURN DN Key</td><td></td><td></td><td></td><td></td><td></td><td></td><td></td> </tr> </tbody> </table>										Sim.\Sym	Sigla\Item	Funzione\Use Type	Sim.\Sym	Sigla\Item	Funzione\Use Type	Sim.\Sym	Sigla\Item	Funzione\Use Type			Batt +06 1	Battery		XS1 +06 1	Plug						FU1 +06 1	Fuse									FU2 +06 1	Fuse									FU3 +06 1	Fuse									MD1 +06 1	Main brush									MD2 +06 1	Traction									MD3 +06 1	Fan motor									MD4 +06 1	Shaker									S1 +06 1	Hood microswitch									S2 +06 1	Battery charger enable switch									S A1 +06 1	TURN DN Key							
Sim.\Sym	Sigla\Item	Funzione\Use Type	Sim.\Sym	Sigla\Item	Funzione\Use Type	Sim.\Sym	Sigla\Item	Funzione\Use Type																																																																																																																									
	Batt +06 1	Battery		XS1 +06 1	Plug																																																																																																																												
	FU1 +06 1	Fuse																																																																																																																															
	FU2 +06 1	Fuse																																																																																																																															
	FU3 +06 1	Fuse																																																																																																																															
	MD1 +06 1	Main brush																																																																																																																															
	MD2 +06 1	Traction																																																																																																																															
	MD3 +06 1	Fan motor																																																																																																																															
	MD4 +06 1	Shaker																																																																																																																															
	S1 +06 1	Hood microswitch																																																																																																																															
	S2 +06 1	Battery charger enable switch																																																																																																																															
	S A1 +06 1	TURN DN Key																																																																																																																															
<table border="1"> <tr> <td></td><td></td><td></td><td></td><td>DATA</td><td></td><td></td><td></td><td></td><td></td> </tr> <tr> <td></td><td></td><td></td><td></td><td>DISEGN</td><td></td><td></td><td></td><td></td><td></td> </tr> <tr> <td></td><td></td><td></td><td></td><td>VISTO</td><td></td><td></td><td></td><td></td><td></td> </tr> <tr> <td>REV</td><td>MODIFICA</td><td>DATA</td><td>FIRMA</td><td>APPR.</td><td>SOST. IL:</td><td>SOST. DA:</td><td>FILE:</td><td></td><td></td> </tr> <tr> <td>0</td><td></td><td>1</td><td></td><td></td><td></td><td></td><td></td><td></td><td></td> </tr> </table>														DATA										DISEGN										VISTO						REV	MODIFICA	DATA	FIRMA	APPR.	SOST. IL:	SOST. DA:	FILE:			0		1																																																																													
				DATA																																																																																																																													
				DISEGN																																																																																																																													
				VISTO																																																																																																																													
REV	MODIFICA	DATA	FIRMA	APPR.	SOST. IL:	SOST. DA:	FILE:																																																																																																																										
0		1																																																																																																																															
<table border="1"> <tr> <td></td><td></td><td></td><td></td><td></td><td></td><td>PLDC01562</td><td></td><td></td><td></td> </tr> <tr> <td></td><td></td><td></td><td></td><td></td><td></td><td>Wiring diagram</td><td></td><td></td><td></td> </tr> <tr> <td></td><td></td><td></td><td></td><td></td><td></td><td>512 - 712</td><td></td><td></td><td></td> </tr> <tr> <td></td><td></td><td></td><td></td><td></td><td></td><td></td><td></td><td></td><td></td> </tr> <tr> <td></td><td></td><td></td><td></td><td></td><td></td><td></td><td></td><td></td><td></td> </tr> <tr> <td></td><td></td><td></td><td></td><td></td><td></td><td></td><td></td><td></td><td></td> </tr> <tr> <td></td><td></td><td></td><td></td><td></td><td></td><td></td><td></td><td></td><td></td> </tr> <tr> <td></td><td></td><td></td><td></td><td></td><td></td><td></td><td></td><td></td><td></td> </tr> <tr> <td></td><td></td><td></td><td></td><td></td><td></td><td></td><td></td><td></td><td></td> </tr> <tr> <td></td><td></td><td></td><td></td><td></td><td></td><td></td><td></td><td></td><td></td> </tr> </table>																PLDC01562										Wiring diagram										512 - 712																																																																																													
						PLDC01562																																																																																																																											
						Wiring diagram																																																																																																																											
						512 - 712																																																																																																																											

Ref.	K	Part N.	Customer Part N.	Description	Qty	Validity:	From	To	Price
FU1		MEVR01136		FUSE 30A	1,00				--
FU2		MEVR01136		FUSE 30A	1,00				--
FU3		MEVR01136		FUSE 30A	1,00				--



Ref.	K	Part N.	Customer Part N.	Description	Qty	Validity:		Price
						From	To	
0001		MPVR05900		HOOD 712	1,00			--
0002		MPVR05899		SIDE PANEL 712	1,00			--
0003		MPVR05627		KNOB -	2,00	04/2009		--
0003		RTRT00022		HANDWHEEL D.30 M6X15	2,00		03/2009	--
0004		LAFN07287		BRACKET 512-712	2,00			--
0005		LAFN04043		SPACER D8.5-15	2,00			--
0006		LAFN07264		HANDLE 712	1,00			--
0007		GUGO00285		GASKET TK1320048	1,00			--
0008		PMVR00138		LOCK TEK	2,00			--
0009		LAFN00259		NUT CH.24 SERRATURA TEK	2,00			--
0010		LAFN00349		LEVER SERRATURA TEK ZINCATA	2,00			--
0011		MPVR00608		DRAWER POSTERIORE SILVER 710 GRI	1,00			--
0012		LAFN07283		FRAME 712	1,00			--
0013		PMVR01414		DRAWER ANTER. 512 COMPL.	1,00			--
0014		ABGO00048		VIBRATION DAMP.-	1,00	09/2008		--
0014		VTVR00038		FOOT D.30 M8	1,00		09/2008	--
0015		PMVR00141		LEVER CHIUSURA CASS.ANT.SILVER	1,00			--
0016		VTRS00512		WASHER D. 8 X24 ZC.	2,00			--
0017		VTVT01142		SCREW TTQS M8X89	2,00			--
0018		VTVT01305		SCREW M 8X 60 TTQST UNI 5731	2,00			--
0019		VTVT34115		SCREW TE M 5X 10 UNI 5739	4,00			--
0020		VTVT34115		SCREW TE M 5X 10 UNI 5739	4,00			--
0021		VTVT62920		SCREW TE F/ROND. M 6X 16 ZB	2,00			--
0022		VTDD00491		NUT M 6 TEF	2,00			--
0023		LAFN07271		PIN 512-712	2,00			--
0024		VTDD00483		NUT M 8 ZIN UNI 5588	4,00			--
0025		VTDD00057		NUT UNI 5589 M8 BASSO ZB	2,00			--
0026		VTVT00248		SCREW TE M&x45 UNI5739 8.8 ZNT	4,00			--
0027		VTRS04026		WASHER D. 6X18X2.38	4,00			--
0028		VTDD00491		NUT M 6 TEF	4,00			--
0029		VTVT00710		CARRYNG BAG	2,00			--
0030		VTRS00504		WASHER D. 8 TE ZC. UNI 6592	4,00			--
0031		VTDD00057		NUT UNI 5589 M8 BASSO ZB	1,00			--
0032		VTVT00448		SCREW TE 8X30 UNI5739	1,00			--
0033		VTRS00512		WASHER D. 8 X24 ZC.	2,00			--
0034		VTDD00041		SELF-LOCJ.NUT M 8 UNI7473 8.8 ZNT	2,00			--
0035		VTRS00512		WASHER D. 8 X24 ZC.	2,00			--
0036		CMCV00001		FORK UNI 1676 M8X16	1,00			--
0036		CMCV75718		CLIP UNI 1676 M8	1,00			--



Ref.	K	Part N.	Customer Part N.	Description	Qty	Validity:		Price
						From	To	
0037		VTDD00041		SELF-LOCJ.NUT M 8 UNI7473 8.8 ZNT	2,00			--
0038		CMCV00430		CABLE 512-712	1,00			--
0039		LAFN00053		SPACER VENTOLA SU RIDUTT.D.20X11	2,00	11/2008		--
0040		RCVR00173		CARRYNG BAG	6,00	11/2008		--
0041		CMCV00442		CABLE -	2,00	04/2009		--
0042		VTVT00892		SCREW	2,00	04/2009		--
0043		VTRS15958		WASHER D. 5 X15 UNI 6593	2,00	04/2009		--
0044		LAFN03840		BUSHING	2,00	04/2009		--
0045		VTRS86980		WASHER D. 6X18 UNI6593	2,00	04/2009		--
0046		VTRS86980		WASHER D. 6X18 UNI6593	2,00	04/2009		--
0047		VTVT09916		SCREW TBEI M 6X 20 ISO 7380 ZB	2,00			--
0048		VTVT20261		SCREW EI-ST 6X20 UNI5923	2,00	04/2009		--