

**Integrated Professional Cleaning**



**IPC Foma**



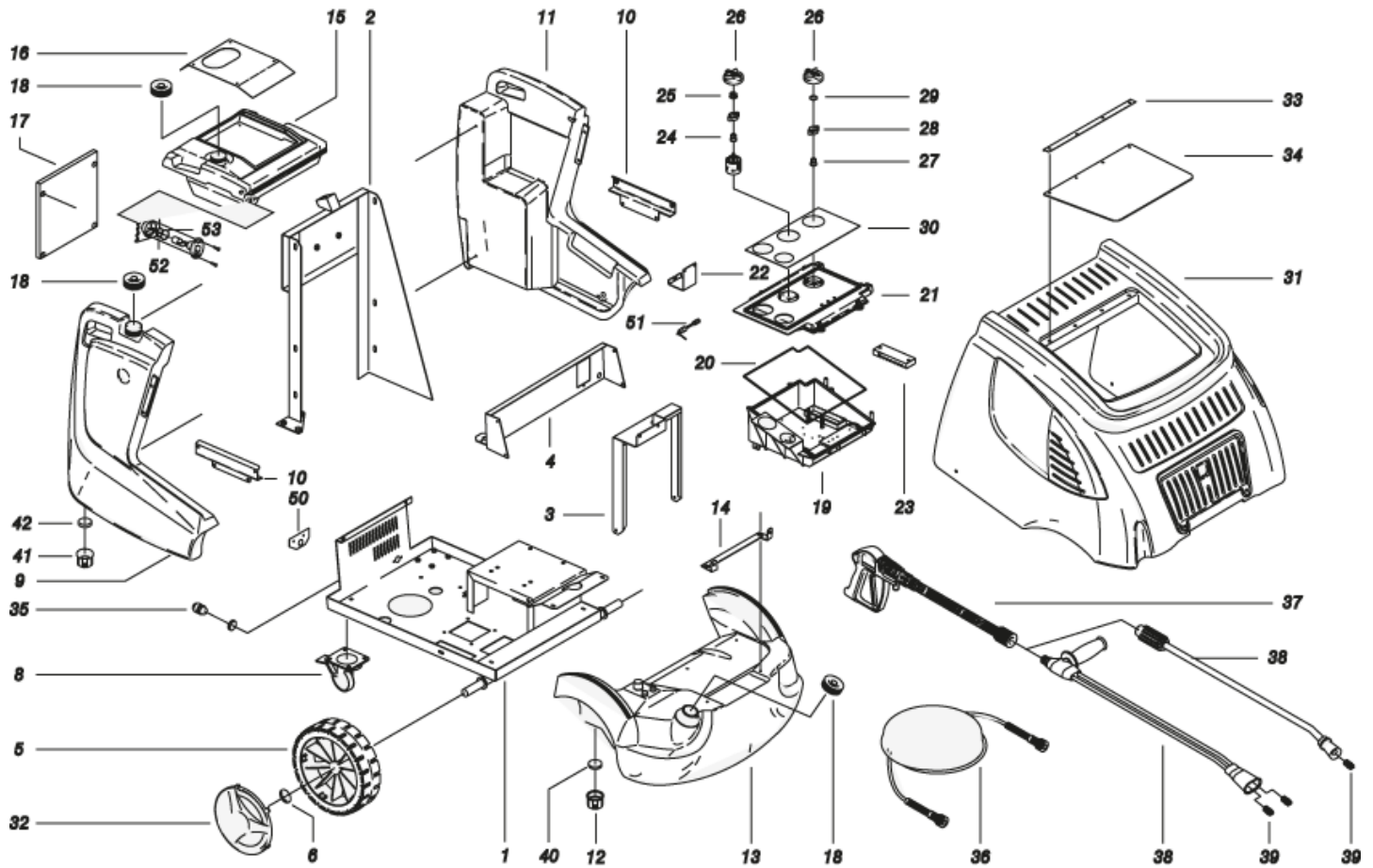
**IPC Sverige**

## Spare Parts List

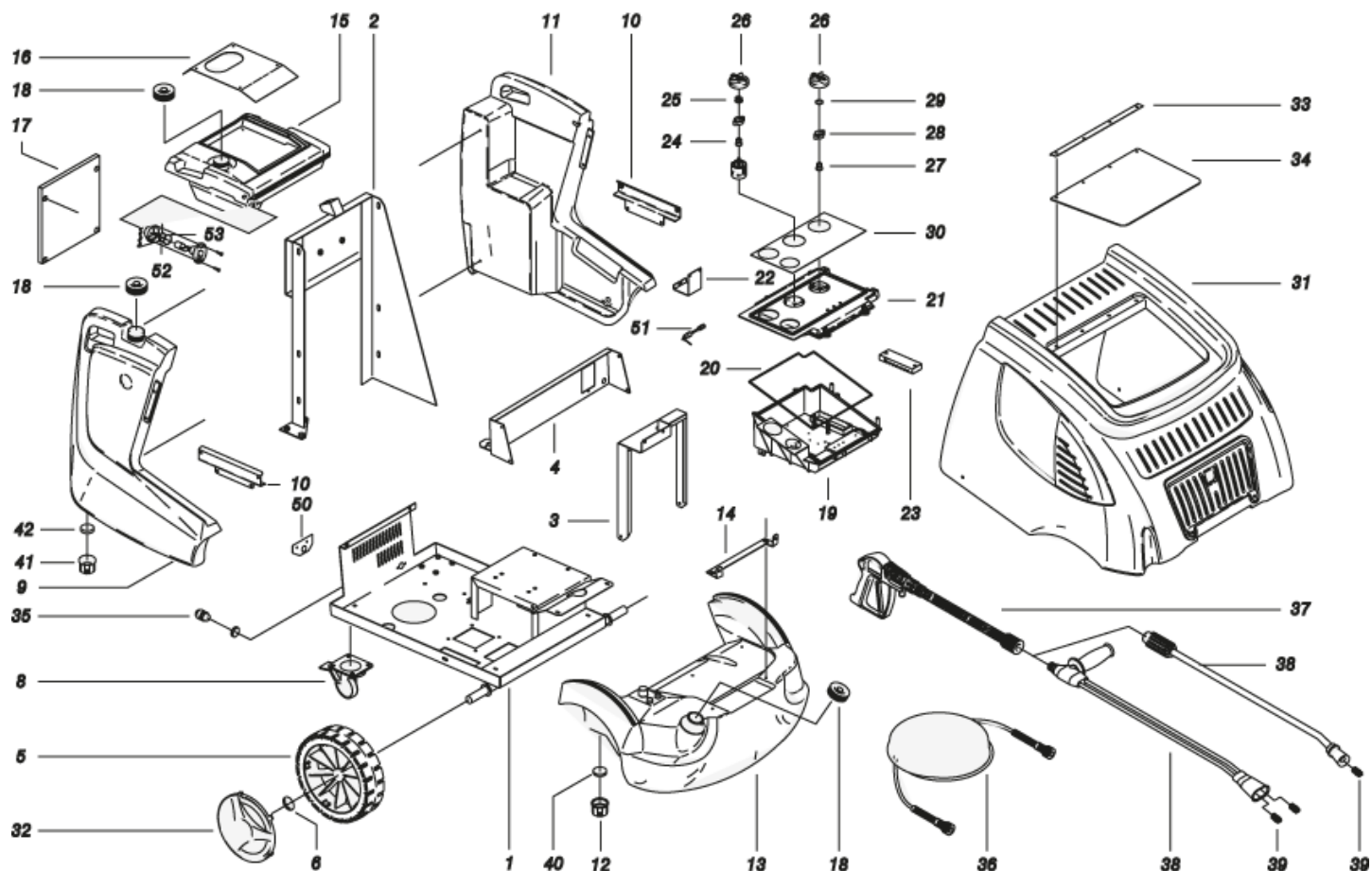
FOMA NORGE AS

Ref: IDAC40040

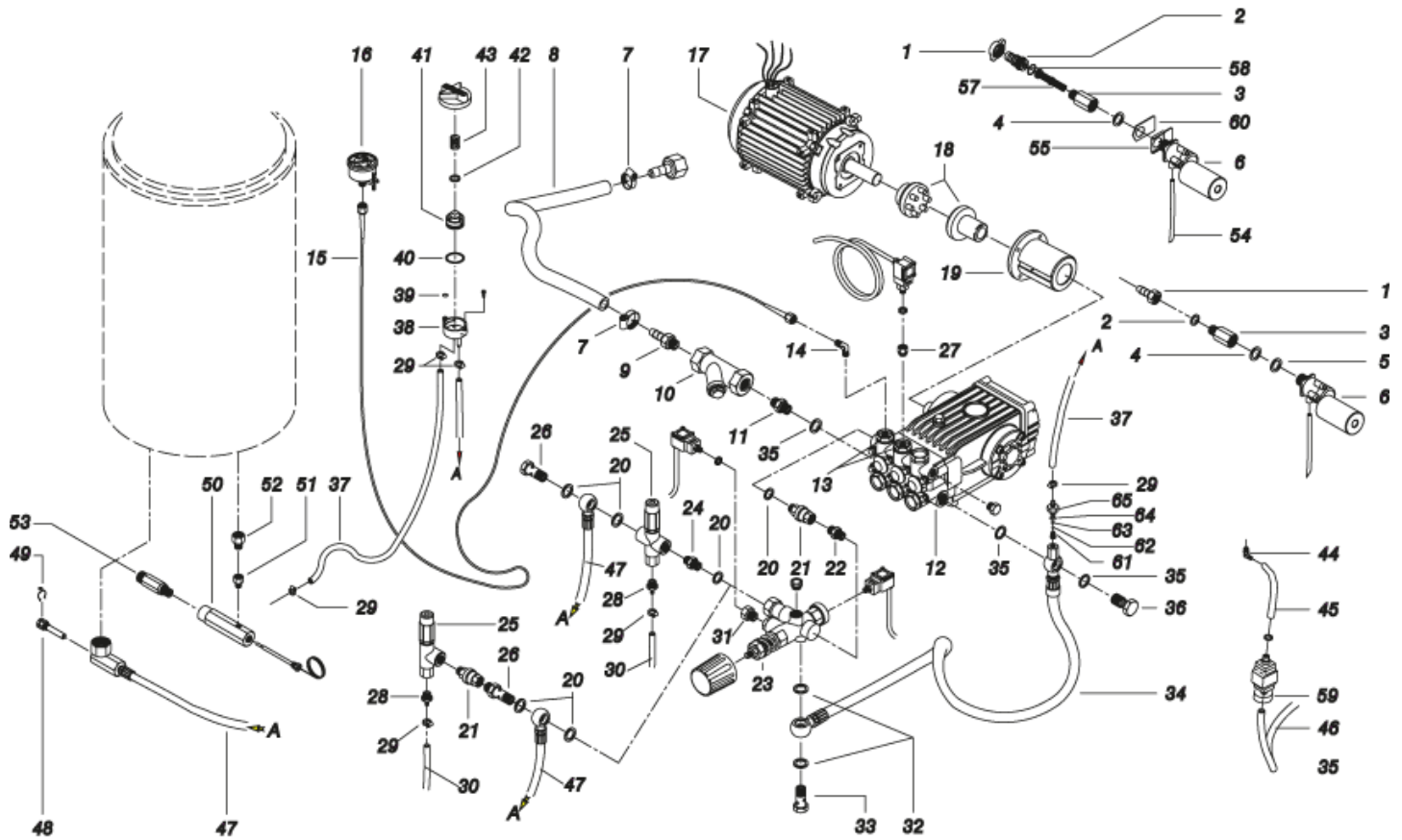
Model: IDROP HPS CMP.DS 2280 T 440/60 3-01PRT



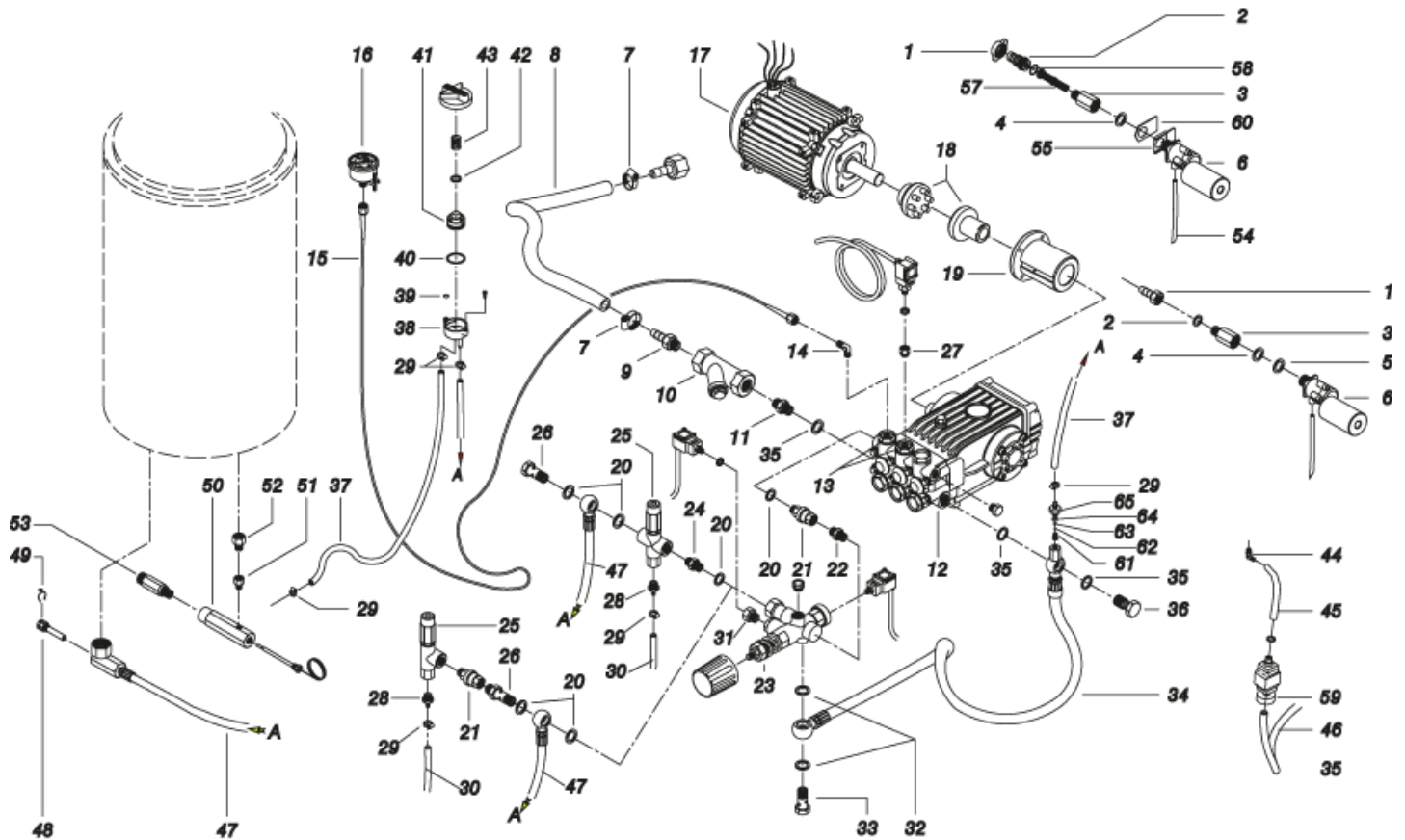
Ref.	K	Part N.	Customer Part N.	Description	Qty	Validity:		Price
						From	To	
0001		LAFN44276		CHASSIS P105	1,00			--
0002		LAFN44283		FRAME P105	1,00			--
0003		LAFN44269		SUPPORT P105	1,00			--
0004		LAFN40115		SUPPORT BRACKETP105 2V.	1,00	07/2008	04/2010	--
0004		LAFN44267		SUPPORT BRACKETP105	1,00		07/2008	--
0005		RTRT45383		WHEEL D.305-D.25 RT-IPC	2,00	09/2001		--
0006		VTRS09813		WASHER D.25	2,00			--
0008		RTRT13708		TURNING WHEEL D.125 P. MZ.PLS	1,00			--
0009		MPVR85023		TANK P105 PEHD	1,00		02/2005	--
0009		MPVR88966		TANK P105 C/F.SC. PEHD	1,00	03/2005		--
0010		LAFN45458		BRACKET P105 LAT.	1,00	01/2002		--
0011		MPVR85024		WATER TANK ADM	1,00			--
0012		PVVR11806		DISCHARGE CAP FLL	1,00	01/2006		--
0012		RCDS72851		CAP 1/2" F NYL	1,00		01/2006	--
0013		MPVR40019		FUEL TANK P105-HD 2V.	1,00	04/2007		--
0013		MPVR40020		FUEL TANK P105-HPS 2V. PEHD	1,00	04/2007		--
0013		MPVR45300		FUEL TANK P105-HD	1,00		04/2007	--
0013		MPVR45301		FUEL TANK P105-HPS	1,00		04/2007	--
0014		LAFN45456		BRACKET P105 ANT.	1,00	01/2002		--
0015		MPVR40093		TANK P105 C/BC. PEHD	1,00	06/2008		--
0015		MPVR85026		TANK P105 PEHD	1,00		02/2005	--
0015		MPVR88967		TANK P105 C/F G.1/2 PEHD	1,00	03/2005	05/2008	--
0016		LAFN44264		PANEL P105-HPS INX	1,00			--
0017		MPVR85027		BACK PANEL ADM	1,00			--
0018		MPVR40573		TANK CAP MHDS-SK	1,00			--
0019		MPVR33248		CONTROL BOX MISTRAL PP	1,00			--
0020		GUGO11309		JOINT MOUSSE D. 3	1,20			--
0021		MPVR40023		BOX COVER MISTRAL C/F.MN.BK	1,00			--
0022		LAFN34423		SUPPORT BRACKETMST.S-P	1,00			--
0022		LAFN40115		SUPPORT BRACKETP105 2V.	1,00	04/2010		--
0023		MPVR33250		CABLE CLAMP COVMISTRAL	1,00			--
0024		MPVR23482		TAIL PIECE TEC. TUV	1,00			--
0025		GUGO23079		V-SEAL RING VA0014 13.5- 15.5	1,00			--
0026		MPVR20190		GREY KNOB KSM	3,00		11/2007	--
0026		MPVR46511		GREY KNOB KSM C/F.FIS.	3,00	11/2007		--
0027		MPVR23484		TAIL PIECE THERM.KSM TUV	1,00			--
0028		MPVR41903		THICKNESS TERM.IM.PA66	1,00			--
0029		GUGO25527		O-RING D. 14 X3 NBR 70SH	1,00			--
0030		ETET40687		LABEL MST PR.II DS PLC	1,00			--



Ref.	K	Part N.	Customer Part N.	Description	Qty	Validity:		Price
						From	To	
0031		MPVR40071		RED COVER P105 C/TP. PPL	1,00	01/2008		--
0031		MPVR44796		RED COVER HPS COMP. ABS	1,00		12/2007	--
0031		MPVR89194		RED THROTTLE P245 PPL	1,00	01/2008		--
0032		MPVR45384		RED WHEEL COVERD. 305 RT-PRT	2,00			--
0033		LAFN45294		HOSE CLIP P105-HPS INX	1,00			--
0034		MPVR44347		PROTECTION P105-HPS PVC	1,00			--
0035		MEVR33994		CABLE FASTNER 4228 B D. 6- 18	1,00			--
0036		TBAP40002		H.P. HOSE R2 MT 15 5/16" C/2 IRV IX	1,00		04/2008	--
0036		TBAP40011		H.P. HOSE R2 MT 15 3/ 8" C/2 IRV IX	1,00	04/2008		--
0037		IPPR40016		GRIP G 5000+P.330 +M22 SW.M V2	1,00	04/2014		--
0037		IPPR89429		GRIP G 4500 - P.330 -M22SW.M V	1,00		04/2014	--
0038		LCPR12983		DOUBLE EXTENS. PD 70	1,00			--
0039		UGLN49998		NOZZLE LECH 1/4 2508	2,00			--
0040		GUGO11489		GASKET D.22X1,5	1,00	01/2006		--
0040		GUGO45302		GASKET D. 20- 35 X 2.5	1,00		01/2006	--
0041		PVVR11806		DISCHARGE CAP FLL	1,00	03/2005		--
0042		GUGO11489		GASKET D.22X1,5	1,00	03/2005		--
0050		LAFN40006		SUPPORT P105 2V. BK	1,00	07/2006		--
0051		MEVR27264		FUSE-HOLDER 031-1081	3,00			--
0052		GUGO01056		O-RING D. 18.72 X 2.62 NBR 70SH	1,00	06/2008		--
0053		GUGO01197		O-RING D. 22.22 X 2.62 NBR 70SH	1,00	06/2008		--
9999		KTRI86962		KIT S 35-12 ROLLER 20 NR HD	1,00			--

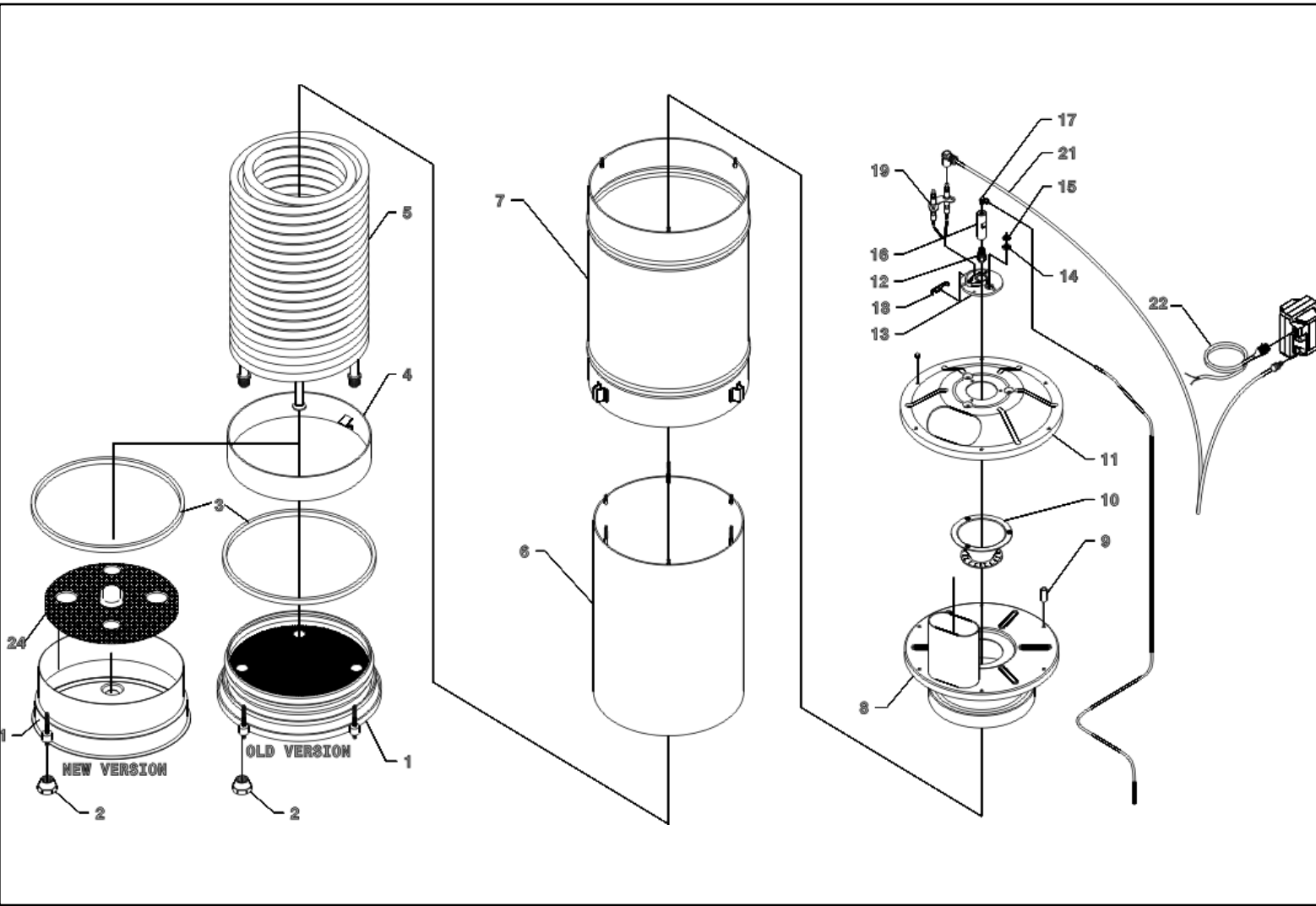


Ref.	K	Part N.	Customer Part N.	Description	Qty	Validity:		Price
						From	To	
0001		RCDS09316		CONNECTION G. 3/4	1,00			--
0002		RCDS08965		HOSE FITTING OTT.	1,00			--
0003		RCDS47453		SLEEVE 3/4 M/F PTG. OT	1,00	09/2002	08/2004	--
0003		RCDS88499		SLEEVE 3/4 M/F PTG. L.68 OT	1,00	09/2004		--
0004		GUGO43071		GASKET D. 14- 24 X 4 70SH	1,00			--
0006		RCGR60703		FLOATER MTM 3/4 PP. S/F.	1,00	09/2002		--
0007		FSVR00431		CLAMP D. 16-25	1,00			--
0008		TBBP15656		L.P. HOSE D.16-26 20BAR	0,60			--
0009		RCDS45366		HOSE FITTING 3/4 M D.13-16 OT	1,00			--
0010		FTAC33904		FILTER 3/4 F/F 2.VERS.	1,00			--
0011		RCDS00602		NIPPLE 3/4 - 1/2 CN D.13.5	1,00			--
0012		PPAP47446		PUMP TS1991 SX LT 21-100 B. US	1,00			--
0013		RCDS09059		CAP M24X2X16 + 1/4F OTT	2,00			--
0014		RCVR12430		ELBOW 1/4" M/M A15	1,00			--
0015		TBAP04437		POLYAMIDE HOSE L=420 1/4-1/4 F-F	1,00		02/2007	--
0015		TBAP40006		POLYAMIDE HOSE L=420 1/4 F-F	1,00	03/2007		--
0016		MNMN07992		PRESSURE GAUGE 0-250 D.50	1,00		11/2003	--
0016		MNMN49621		PRESSURE GAUGE 0-250 D.50 INOX	1,00	11/2003		--
0017		MOTR40003		3PH MOTOR B3-B14 HP 7,5 23/400-50 R	1,00			--
0018		FGGT88467		FLEX. COUPLING P105 HP 9.0 CPL.	1,00			--
0019		MFVR89552		FLANGE MOTOR H 112 B14-P237 9HP	1,00			--
0020		VTRS12492		WASHER 3/8	2,00			--
0021		RCVR00563		SWIVEL RACCORD 3/8 M/F	1,00			--
0022		RCDS00610		NIPPLE 3/8 - 3/8 SV	1,00	02/2012		--
0023		VVAZ40027		VALVE VRT3 3/8F 25MPa +PP1/4F	1,00	02/2012		--
0023		VVAZ45134		VALVE MV 550 2.G3/8F	1,00	02/2004	02/2012	--
0024		RCDS11778		SCREW G 3/8 + 3/8M	1,00	02/2004		--
0025		VVSC21627		VALVE VS 220 G3/8	1,00	02/2004	06/2010	--
0025		VVSC40005		VALVE MR 401 G3/8	1,00	06/2010		--
0026		RCDS01371		SCREW G 3/8 A.P.	1,00		02/2004	--
0027		RCVR02596		SLEEVE 1/4 M/F A5	1,00		04/2002	--
0027		VTRS40960		WASHER D.13.5X19 X4 AL.	1,00	04/2002		--
0028		RCDS03514		HOSE FITTING 3/8 M D. 5- 7	1,00	02/2004		--
0029		FSVR00427		CLAMP D. 12 CLIC 66-110	1,00			--
0030		TBBP04917		L.P. HOSE D. 6- 9	0,60		04/2012	--
0030		TBBP93804		L.P. HOSE D. 6- 9	0,60	05/2012		--
0031		RCVR00644		REDUCTION 1/4-1/8 M/F	1,00	02/2012		--
0032		VTRS04931		WASHER COPPER D.13X19X1.5	2,00	02/2012	02/2012	--
0032		VTRS12821		WASHER D.14X18,7X1,25 1/4 GM	2,00		02/2012	--

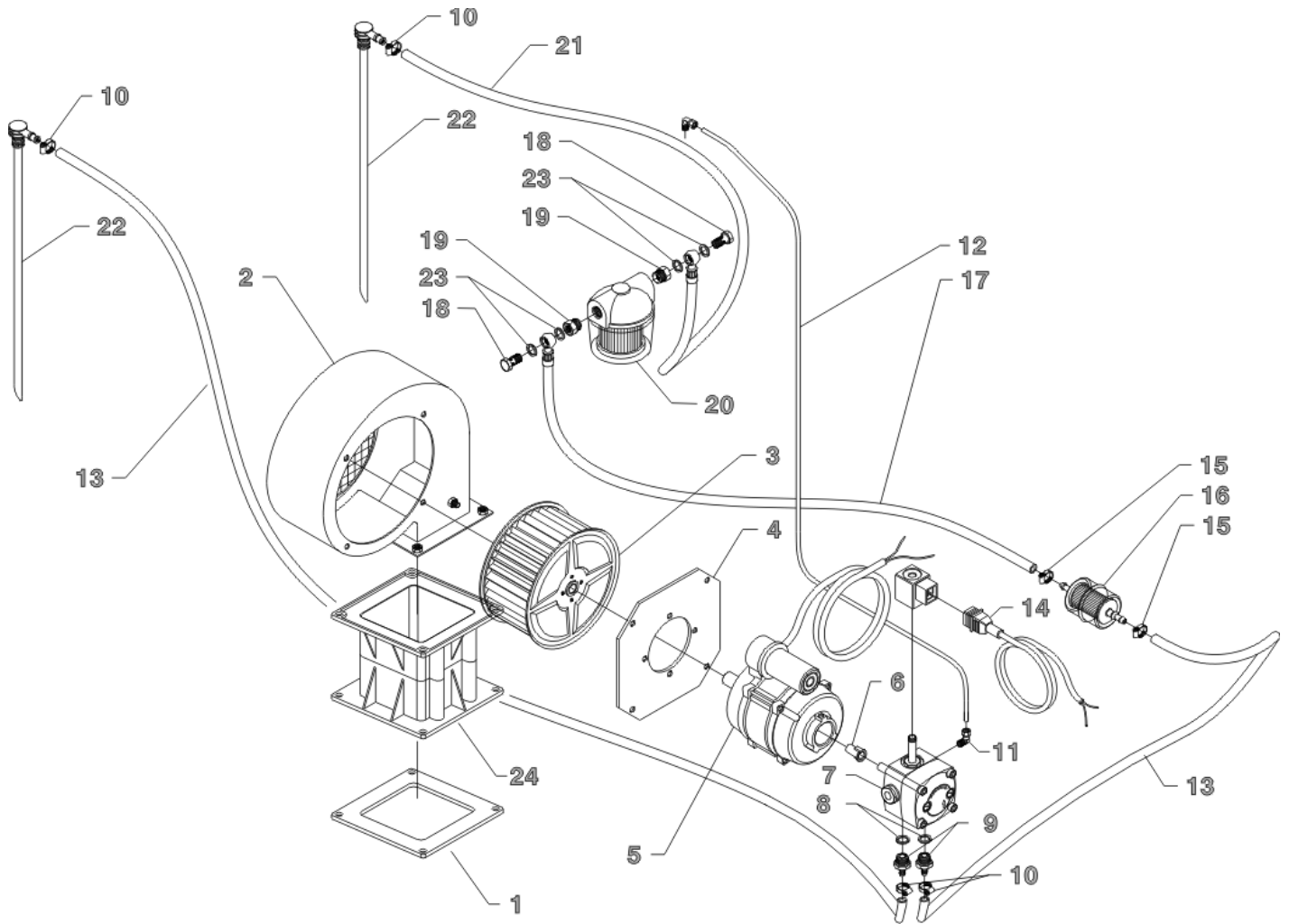


Ref.	K	Part N.	Customer Part N.	Description	Qty	Validity:		Price
						From	To	
0033		RCDS01371		SCREW G 3/8 A.P.	1,00	02/2012		--
0033		RCDS02612		SCREW G 1/4 A.P.	1,00		02/2012	--
0034		TBBP15914		BY-PASS HOSE L=390 1/2+C.VL.-1/4OC 90°	1,00		02/2012	--
0034		TBBP47907		BY-PASS HOSE L=390 1/2+C.VL.-3/8OC 90°	1,00	02/2012		--
0035		VTRS12491		WASHER 1/2	2,00			--
0036		RCDS33982		SCREW 1/2 C/SC. L=41.5 D.13.5	1,00			--
0037		TBBP00051		DETERGENT HOSE D. 6-12	0,90			--
0038		RCGR08069		TAP BODY DET. PRT	1,00			--
0039		GUGO08071		O-RING D. 4.48 X 1.78 NBR 70SH	1,00			--
0040		GUGO12183		O-RING D. 23.4 X 3.53 VIT 70SH	1,00			--
0041		RCGR08070		ADJUSTER PRT	1,00			--
0042		VTRS00542		WASHER D.14X20	1,00			--
0043		MLML08068		SPRING D.1,5 L.23	1,00			--
0046		TBBP00058		L.P. HOSE D. 4- 6	0,40	06/2008		--
0046		TBBP00058		L.P. HOSE D. 4- 6	0,50			--
0047		TBAP44709		HOSE-FITTING 3/ 8 R2 L=710 3/8O-1/2PMG	1,00			--
0048		RCDS00593		SUMP IM 0-120 L=50	1,00			--
0049		MLML02623		SPRING IMT	1,00			--
0050		RCDS19322		BLOC BODY 3/8F-M14	1,00			--
0051		VTDD19324		NUT G 1/2	1,00			--
0052		RCDS19326		CONNECTOR M 14	1,00			--
0053		RCDS44542		CONNECTOR M22 M -3/8M L=100 OT.	1,00			--
0054		TBBP17436		L.P. HOSE D.12-14 RILSAN NT.	0,15	09/2002		--
0055		LAFN47452		BRACKET P105 INX	1,00	09/2002	08/2004	--
0055		LAFN88500		BRACKET P105 INT. INX	1,00	09/2004		--
0057		FTAC09717		FILTER D.15X37	1,00			--
0058		GUGO01054		O-RING D. 15.08 X 2.62 NBR 70SH	1,00			--
0059		MPVR44324		SUPPORT NM1-P105 PVC	1,00		10/2002	--
0060		LAFN88501		BRACKET P105 EST. INX	1,00	09/2004		--
0061		MLML21505		SPRING D. 8 X5 X0.3	1,00	02/2012		--
0062		SFVR04274		BALL D. 7/32	1,00	02/2012		--
0063		GUGO01055		O-RING D. 5.28 X 1.78 VIT 70SH	1,00	02/2012		--
0064		GUGO01036		O-RING D. 10.82 X 1.78 NBR 70SH	1,00	02/2012		--
0065		RCDS10546		VALVE SEAT 1/4M + PG. D.3-7.5 OTT	1,00	02/2012		--
9999		MFVR88920		FLANGE MOTOR 4P H112 RK -B14/CU.	1,00			--
9999		MORT88919		EL.MOT. ROTOR 5-7.5HP T 4P H112 B14/C K	1,00			--

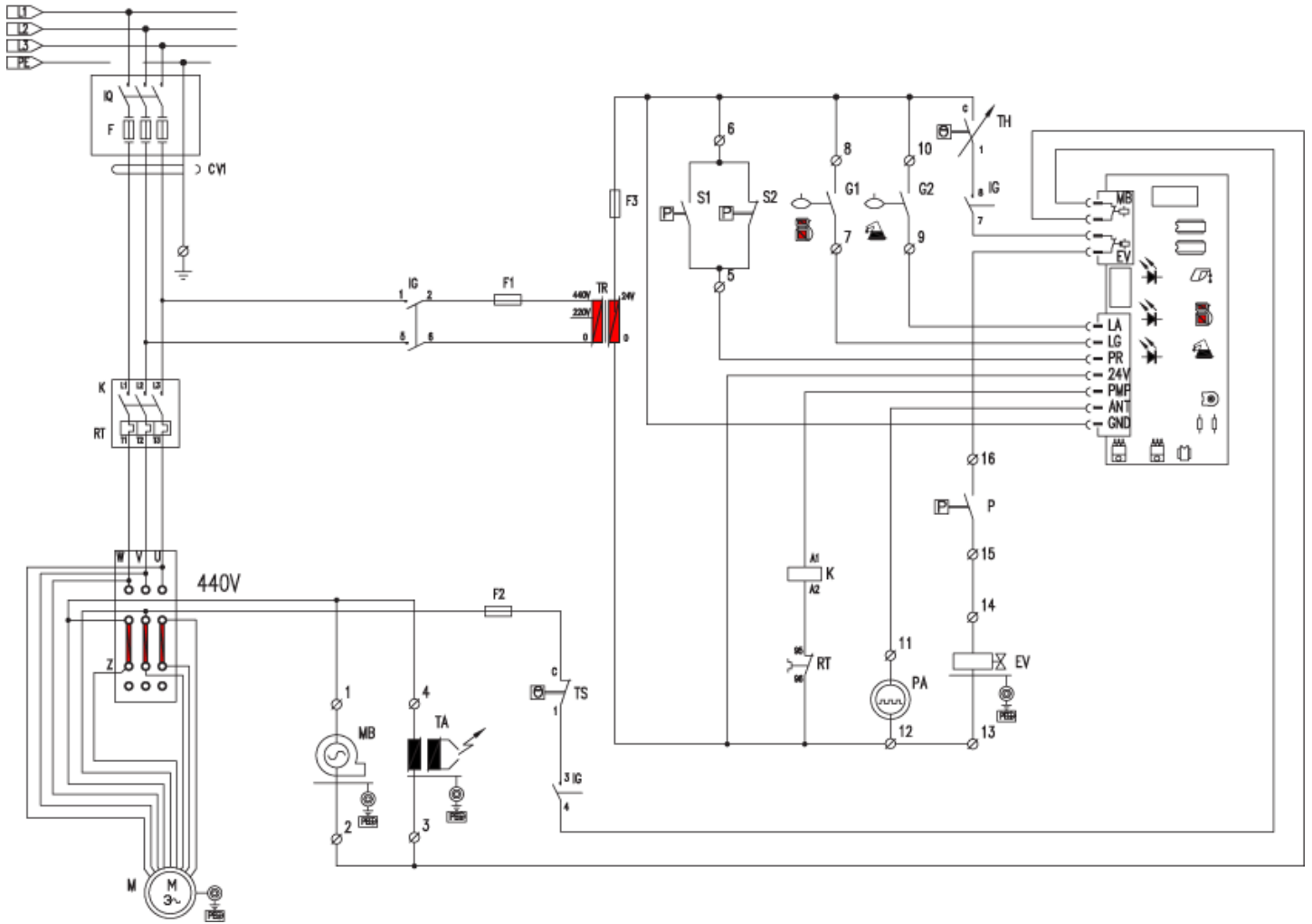




Ref.	K	Part N.	Customer Part N.	Description	Qty	Validity:		Price
						From	To	
0001		LAFN12715		BOILER BOTTOM FUT	1,00		03/2008	--
0001		LAFN40038		BOILER BOTTOM FUT. 2V. BK	1,00	03/2008		--
0002		RCDS00561		RING NUT 1/2 OTT	2,00			--
0003		GUVR35205		GASKET D. 7 FIB.	1,02	02/1996		--
0004		LAFN11708		METAL STRIP FUT	1,00		03/2008	--
0005		LAFN06312		DOUBLE COIL 3/8 J.FUT G	1,00			--
0006		LAFN08244		INT. CYLINDER J.FUT INX	1,00		03/2008	--
0006		LAFN40076		INT. CYLINDER J.FUT 2V.INX	1,00	03/2008		--
0007		LAFN08242		EXT. CYLINDER J.FUT INX	1,00			--
0008		LAFN08072		BOILER COVER SIFUT INX	1,00			--
0009		LAFN09096		SPACER 10X28,5	3,00			--
0010		LAFN08042		BAFFLE FUT	1,00			--
0011		LAFN07676		BOILER COVER SEFUT INX	1,00			--
0012		UGBR31344		BURNER NOZZLE 1.75 60 S	1,00			--
0013		MFVR18226		ELECTR.HOLDER FUT 3°V	1,00			--
0014		MPVR18228		OIL WARN-LIGHT D.17 X3	1,00			--
0015		VTAE22633		SEEGER 0.4 X18,30X10,5	1,00			--
0016		RCDS07642		NOZZLE HOLDER FUT	1,00			--
0017		RCVR08954		ELBOW 1/8"-4 B5	1,00			--
0017		RCVR08954		ELBOW 1/8"-4 B5	1,00		06/2013	--
0017		RCVR14014		BI-CONE CONNec.DTT 1/8"M B1 D. 2/ 4 NIK	1,00	07/2013	10/2013	--
0017		RCVR40126		BI-CONE CONNec.T 1/8"M/F D. 4/ 6C NK.	1,00	11/2013		--
0017		RCVR72867		CONNECTOR A "T" 1/8" FFM	1,00	07/2013	10/2013	--
0017		RCVR89230		CAP G 1/8 M C/O-RING.	1,00	07/2013		--
0018		LAFN07641		PLATE INX	1,00			--
0019		MECA12525		ELECTRODE FUT	1,00			--
0020		VTDD05907		NUT M 6 CIE.	6,00			--
0021		MECV35334		CABLE A.T. 9,8-23KOHM/M L= 400P	2,00		04/2008	--
0021		MECV35335		CABLE A.T. 9,8-23KOHM/M L= 500P	2,00	05/2008		--
0024		ITTE48421		BOTTOM FUT C.TE	1,00	03/2008		--

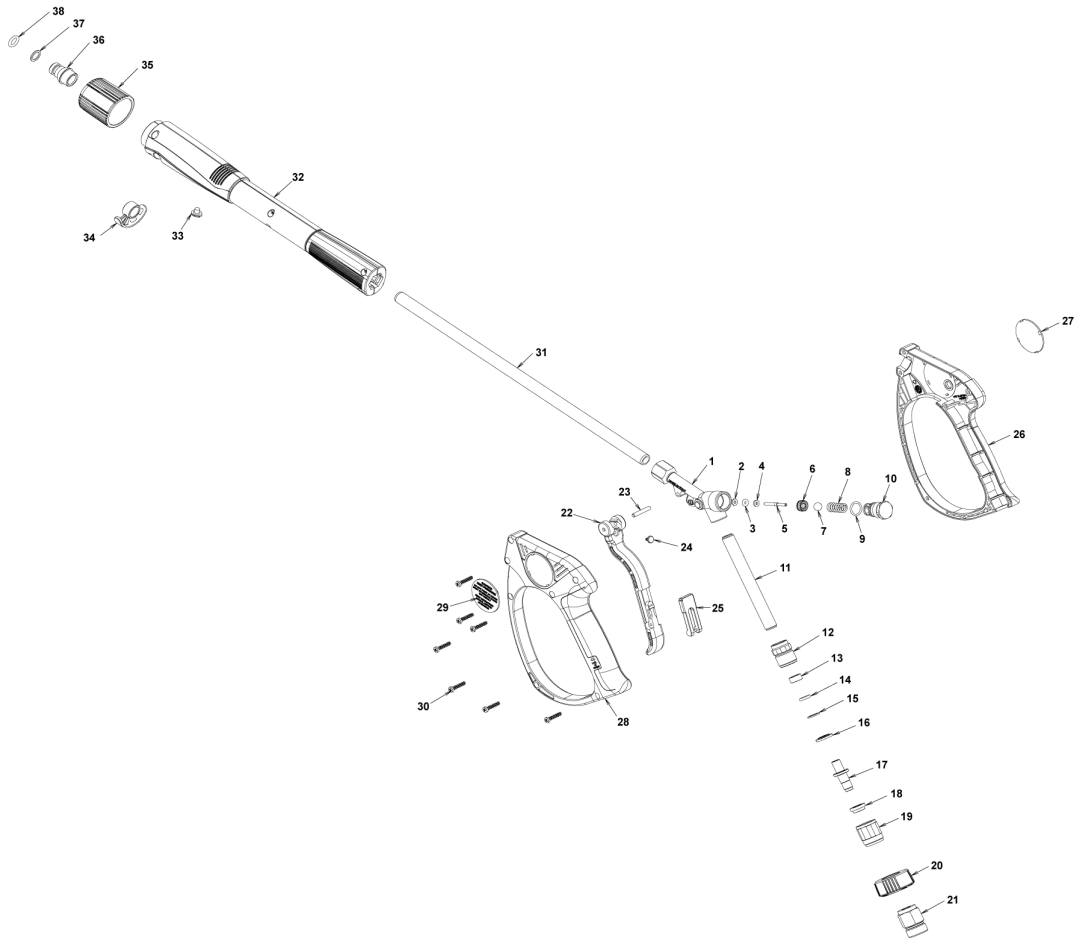


Ref.	K	Part N.	Customer Part N.	Description	Qty	Validity:		Price
						From	To	
0001		GUGO40003		GASKET CB4	1,00			--
0002		MPVR40010		SCROLL CB4 -2PZ.CP	1,00			--
0003		VEVR34275		IMPELLER D.160-80 D.12.7 36P B.SX	1,00			--
0004		LAFN10272		MOTOR PLATE CB 3	1,00			--
0005		MOMB35727		BURNER MOTOR 230-60 IP44 200W A.OR	1,00			--
0006		KTRI36516		KIT P 18- 9	1,00			--
0007		FTCO88927		FUEL FILTER S.AL	1,00	01/2005		--
0007		PPGS40005		FUEL PUMP DNF BFA 01L3R2	1,00	05/2008		--
0007		PPGS88592		FUEL PUMP DLT ALLUM. A1L2	1,00		04/2008	--
0008		VTRS04931		WASHER COPPER D.13X19X1.5	2,00			--
0009		RCDS00626		HOSE FITTING 1/4 M D. 5- 7	2,00			--
0010		FSVR00427		CLAMP D. 12 CLIC 66-110	2,00			--
0011		RCVR08954		ELBOW 1/8"-4 B5	1,00			--
0012		TBCO45038		DIESEL HOSE P105 40MT D. 4	1,00			--
0013		TBCO06945		L.P. HOSE D. 6-12 10BAR C.PRESS	0,20	05/2008		--
0013		TBCO06945		L.P. HOSE D. 6-12 10BAR C.PRESS	0,30	05/2008		--
0013		TBCO06945		L.P. HOSE D. 6-12 10BAR C.PRESS	0,41		04/2008	--
0013		TBCO06945		L.P. HOSE D. 6-12 10BAR C.PRESS	0,50	05/2008		--
0013		TBCO06945		L.P. HOSE D. 6-12 10BAR C.PRESS	0,41		04/2008	--
0014		MECB18118		CABLE DLT L=1.600	1,00		10/2010	--
0014		MECB46130		CABLE DLT L=1100	1,00	11/2010		--
0015		FSVR11197		CLAMP D.I. 11 13315	1,00	05/2008		--
0016		FTCO34840		FUEL FILTER FB 7/A NYL.	1,00	05/2008	04/2010	--
0016		FTCO40003		FUEL FILTER FB 7/TA 60mc NYL.	1,00	04/2010		--
0016		FTCO34840		FUEL FILTER FB 7/A NYL.	1,00		04/2008	--
0017		TBBP34456		L.P. HOSE L= 180 1/4OC.-LIB.	1,00		04/2008	--
0018		RCDS02612		SCREW G 1/4 A.P.	2,00		04/2008	--
0019		RCVR02607		REDUCTION 3/8-1/4 M/F	2,00		02/2002	--
0020		FTCO30578		FUEL FILTER 3/8 0.1-SP	1,00		04/2008	--
0021		TBBP44517		L.P. HOSE L= 750 1/4OC.-LIB. 6X12	1,00		04/2008	--
0022		RCDS20136		SUCTION L= 355 C.	2,00		01/2002	--
0022		RCVR02607		REDUCTION 3/8-1/4 M/F	1,00	02/2002	04/2008	--
0022		RCVR38072		REDUCTION 3/8-1/4 M/F A4/Z SKD.F	1,00	02/2002	04/2008	--
0022		RCDS46247		SUCTION L=210 CPL	2,00	03/2007		--
0022		RCDS46247		SUCTION L=210 CPL	1,00	01/2002	03/2007	--
0022		RCDS20137		SUCTION BODY KSM	1,00	01/2002	03/2007	--
0022		GUGO28327		O-RING D. 7.51 X 3.53 NBR 70SH	1,00	01/2006	03/2007	--
0023		VTRS12821		WASHER D.14X18,7X1,25 1/4 GM	4,00		04/2008	--
0024		MPVR40012		CONVEYOR CB4-P105 2PZ.CP.	1,00			--

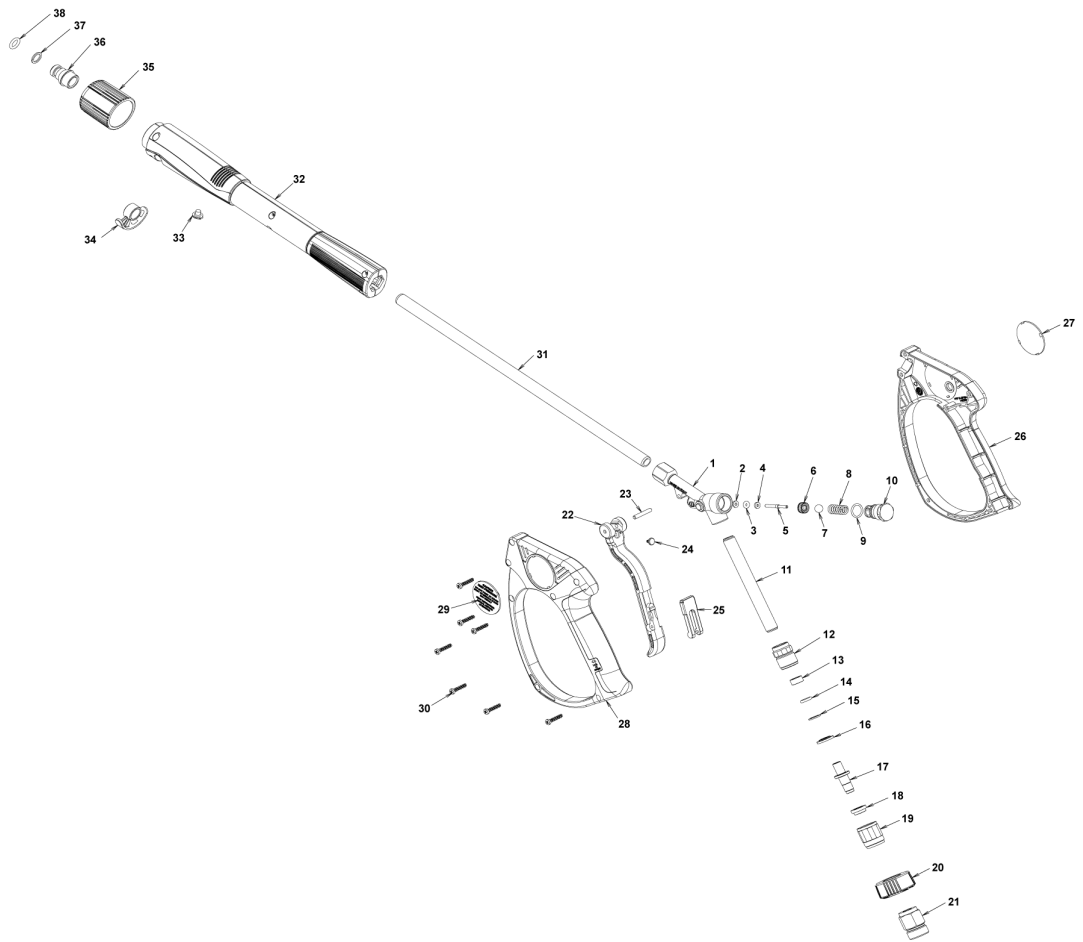


Ref.	K	Part N.	Customer Part N.	Description	Qty	Validity:		Price
						From	To	
K		METT41888		CONTACT SIE N.A. 3RH19 21-1EA11	1,00		01/2010	--
K		METT45025		CONTACTOR SIE 3RT 1024 1AC20 24V	1,00			--
P		MEPF39902		PRESSURE SWITCHMTM 1/4M NA/NC 25B. MICRO	1,00		03/2014	--
P		MEPF76254		PRESSURE SWITCHPR 5 1/4M 25BAR	1,00	04/2014		--
EC		MECE40004		PCB P245 T-ST/MP/L.2V.S30'+3"	1,00	02/2010		--
EC		MECE89083		PCB P105 T-ST/MP/LIV. S30'+3"	1,00	07/2005	01/2010	--
EV		MEBE43704		COIL DNF 24-50	1,00	05/2008		--
EV		MEBE48504		COIL DLT 24-50 NF84	1,00		04/2008	--
F1		MEVR09010		FUSE 5X20 0,5A	1,00			--
F2		MEVR00237		FUSE 5X20 3,15A	1,00			--
F3		MEVR02824		FUSE 5X20 1A	1,00			--
G1		MECI40001		SWITCH REED N.A.H215 FST+OR	1,00	04/2007	01/2008	--
G1		MECI40005		SWITCH REED N.C.H215 FST+OR	1,00	01/2008		--
G2		MECI40006		SENSOR LEVEL S1.PML.XD.FPJ FST.	1,00	06/2008		--
G2		MECI46804		SENSOR LEVEL S1.PML.M16 +KIT GU/DA-FST	1,00	10/2002	02/2005	--
G2		MECI49945		SENSOR LEVEL S1.PML.15NO-FST +G.1/2	1,00	03/2005	05/2008	--
IG		MECI40017		COMMUTAT.SWITCH0-1-2 UN.	1,00	01/2011		--
IG		MECI40544		COMMUTAT.SWITCH0-1-2 HD12H022-R000	1,00		01/2011	--
PA		MEPD45940		DESCALING PUMP NME 1 24V 50/60HZ	1,00	10/2002		--
RT		METT45026		THERMAL RELAY SIE 3RU1126-4AB0 11-16 A	1,00			--
S1		MEPF39741		PRESSURE SWITCHMTM 1/8M NA/NC 25B. MICRO	1,00		03/2014	--
S1		MEPF40014		PRESSURE SWITCHPR 5 1/8M 25BAR RD.	1,00	04/2014		--
S2		MEPF40009		PRESSURE SWITCHPR 5 3/8M 25BAR	1,00	04/2013		--
S2		MEPF45229		PRESSURE SWITCHMTM 3/8M NA/NC 25B. MICRO	1,00		03/2014	--
TA		METR88630		TRANSFORMER 23/240V-5/60HZ 2X26KV TR.	1,00	05/2008		--
TA		METR88630		TRANSFORMER 23/240V-5/60HZ 2X26KV TR.	1,00		04/2008	--
TH		METK19354		THERMOSTAT 0-150° L=1500	1,00		12/2010	--
TH		METK40006		THERMOSTAT 0-150° L=1500 S&R	1,00	12/2010	12/2012	--
TH		METK40011		THERMOSTAT 0-150° L=1500 F&C	1,00	01/2013		--
TR		METR40002		TRANSFORMER 35VA 220-440/24 50/60HZ	1,00			--
TS		METK34839		THERMOSTAT 50°C TR/711-N C.1.5	1,00			--
CV1		MECB25793		CABLE H07 RNF 4X2.5 L=6.500	1,00			--

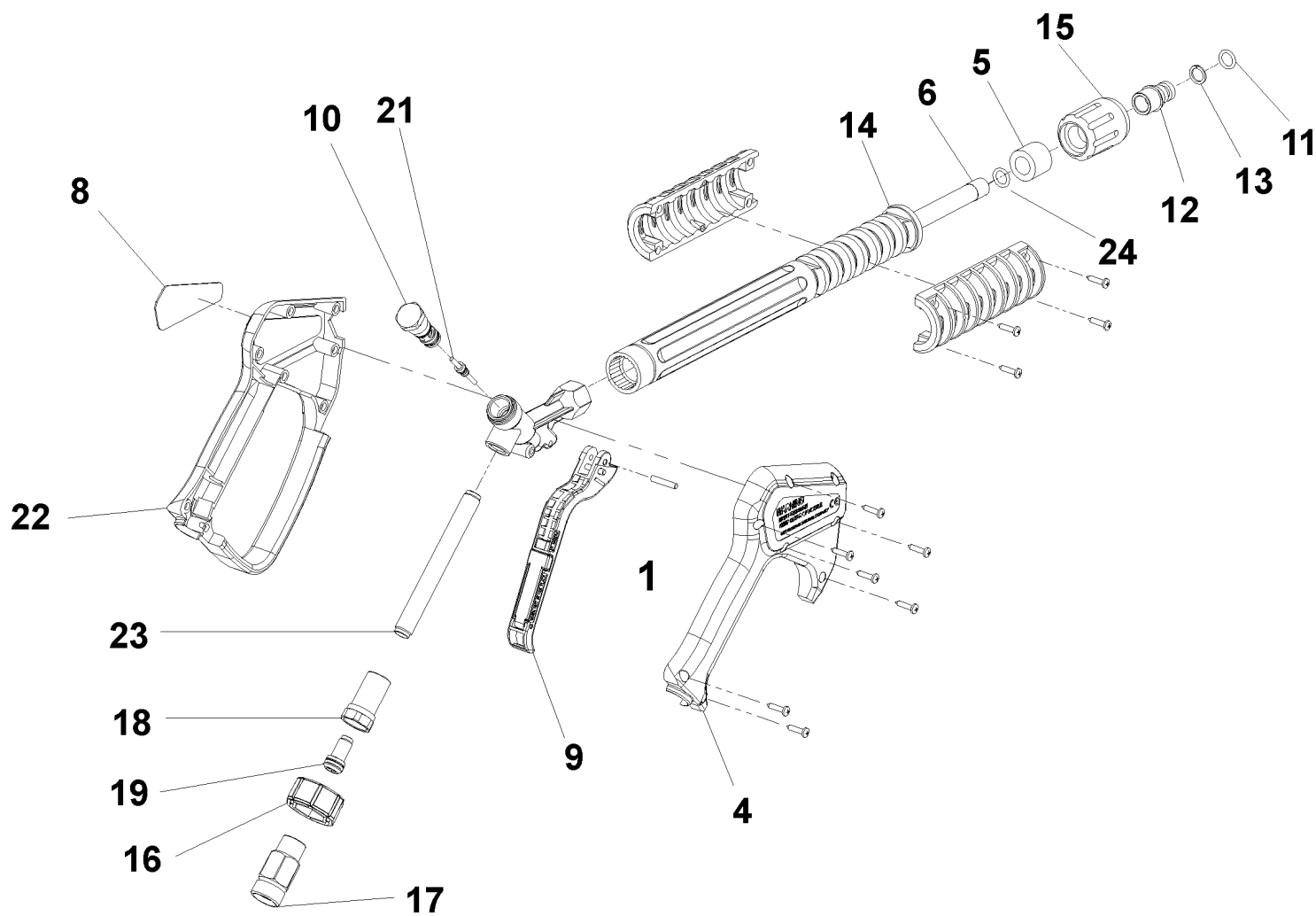




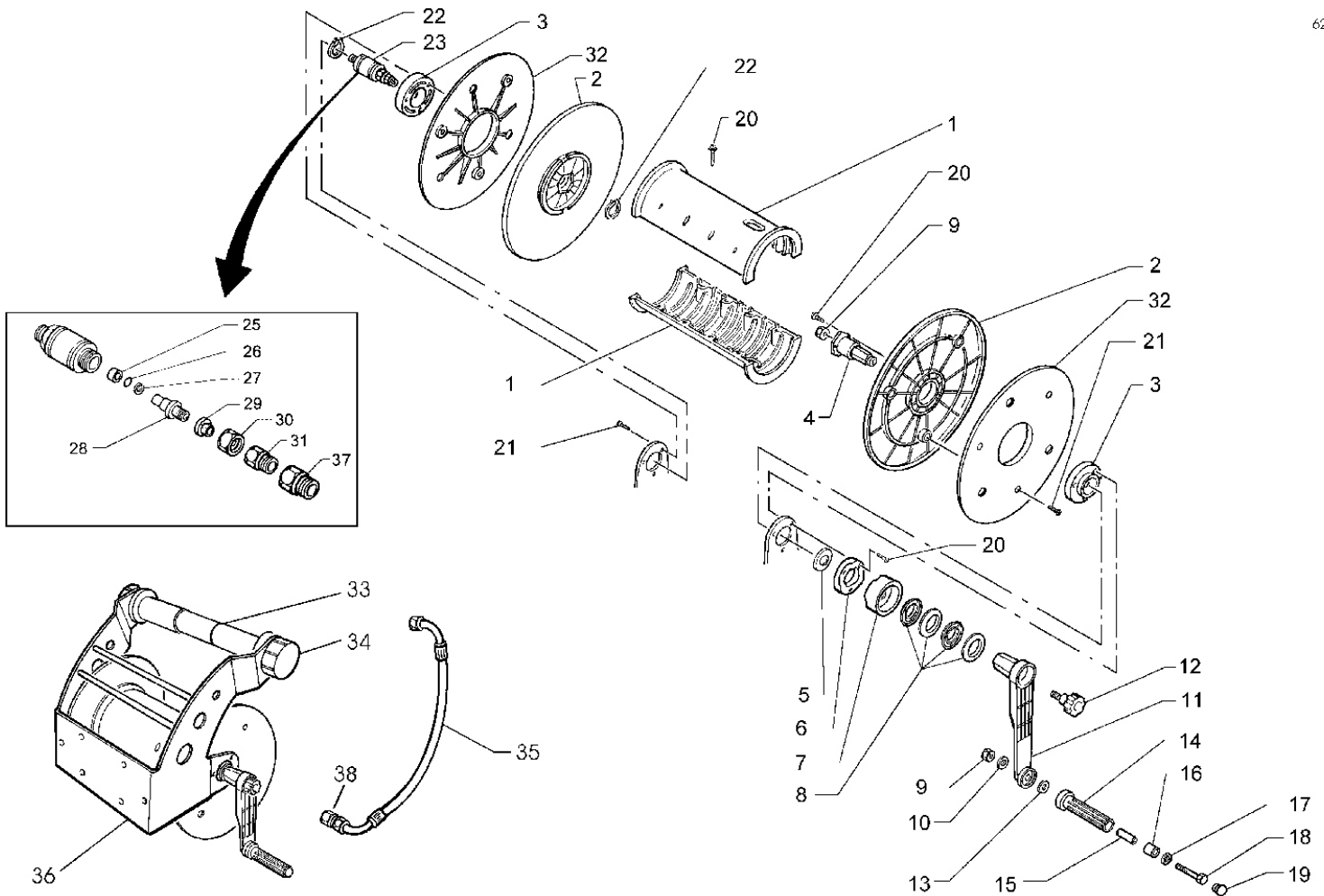
Ref.	K	Part N.	Customer Part N.	Description	Qty	Validity: From	To	Price
0001		PVVR40402		GUN BODY G5000-V/2 G1/4F	1,00			--
0002	S	GUGO17952		O-RING D. 2.84 X 2.62 NBR 70SH	1,00			--
0003	S	GUGO21835		O-RING D. 2.84 X 2.62 VIT. 80SH	1,00			--
0004	S	VTRS40024		WASHER D. 3 X 7 X1,5 OT	1,00			--
0005	S	PVVR40404		SMALL PISTON G5000-V/2	1,00			--
0006	S	PVVR40112		BALL SEAT G 5000	1,00			--
0007	S	SFVR06779		BALL INOX 11/32	1,00			--
0008		MLML40016		SPRING D. 8.5 G 5000	1,00			--
0009	S	GUGO21841		O-RING D. 12.42 X 1.78 NBR 90SH	1,00			--
0010		PVVR40113		CAP G 5000	1,00			--
0011		PVVR40405		TUBE G 1/4" L.115	1,00			--
0012		RCIN40024		CONNECTOR SWIV G5000-V/2 1/4F	1,00			--
0013	S	PVVR40406		BUSHING G5000-V/2	1,00			--
0014	S	PVVR40403		RING SW. G5000-V/2	1,00			--
0015	S	GUVR40081		ANTI-EXTR.RING D.9 X13.2X1.2	1,00			--
0016	S	PVVR40407		SPACER G5000-V/2	1,00			--
0017	S	PVVR40408		PIN G5000-V/2	1,00			--
0018	S	PVVR40409		BUSHING C/GRAD. G5000-V/2	1,00			--
0019		PVVR40410		NIPPLE G5000-V/2	1,00			--
0020		PVVR40411		KNOB SWIVEL G5000-V/2	1,00			--
0021		RCIN40025		CONNECTOR SWIV G5000-V/2 M22	1,00			--
0022	S	MPVR40628		TRIGGER G5000-V/2	1,00			--
0023	S	VTVR40008		PLUG D. 3 G5000	1,00			--
0024	S	PVVR45053		PAWL G 2100 INX	1,00			--
0025	S	MPVR40629		SAFETY-DEVICE G 5000-SW	1,00			--
0026		MPVR40630		SHELL G5000-V/2 DX	1,00			--
0027		MPVR40631		PLATE G5000-V/2	1,00			--
0028		MPVR40632		SHELL G5000-V/2 SX	1,00			--
0029		MPVR40633		PLATE G5000-V/2 SX	1,00			--
0030		VTVT62984		SCREW TC-CR M 4.2 X19 ZN	7,00			--
0031		LCPR40015		TUBE 1/4 L=370 ZC. 0°	1,00			--
0032		MPVR40195		PROTECTION P 370 MV	1,00			--
0033		MPVR40198		CAP G 5000	1,00			--
0034		MPVR40197		CAP G 5000 FIX.	1,00			--
0035		PVVR40119		CONNECTION M22X1,5 IRV G5000	1,00			--
0036		RCIN40009		GUDGEON G 1/4 F IRV G5000	1,00			--
0037		GUVR40034		ANTI-EXTR.RING D. 10 X14	1,00			--
0038		GUGO40055		O-RING D. 2.62 X 9.19 - VITON	1,00			--



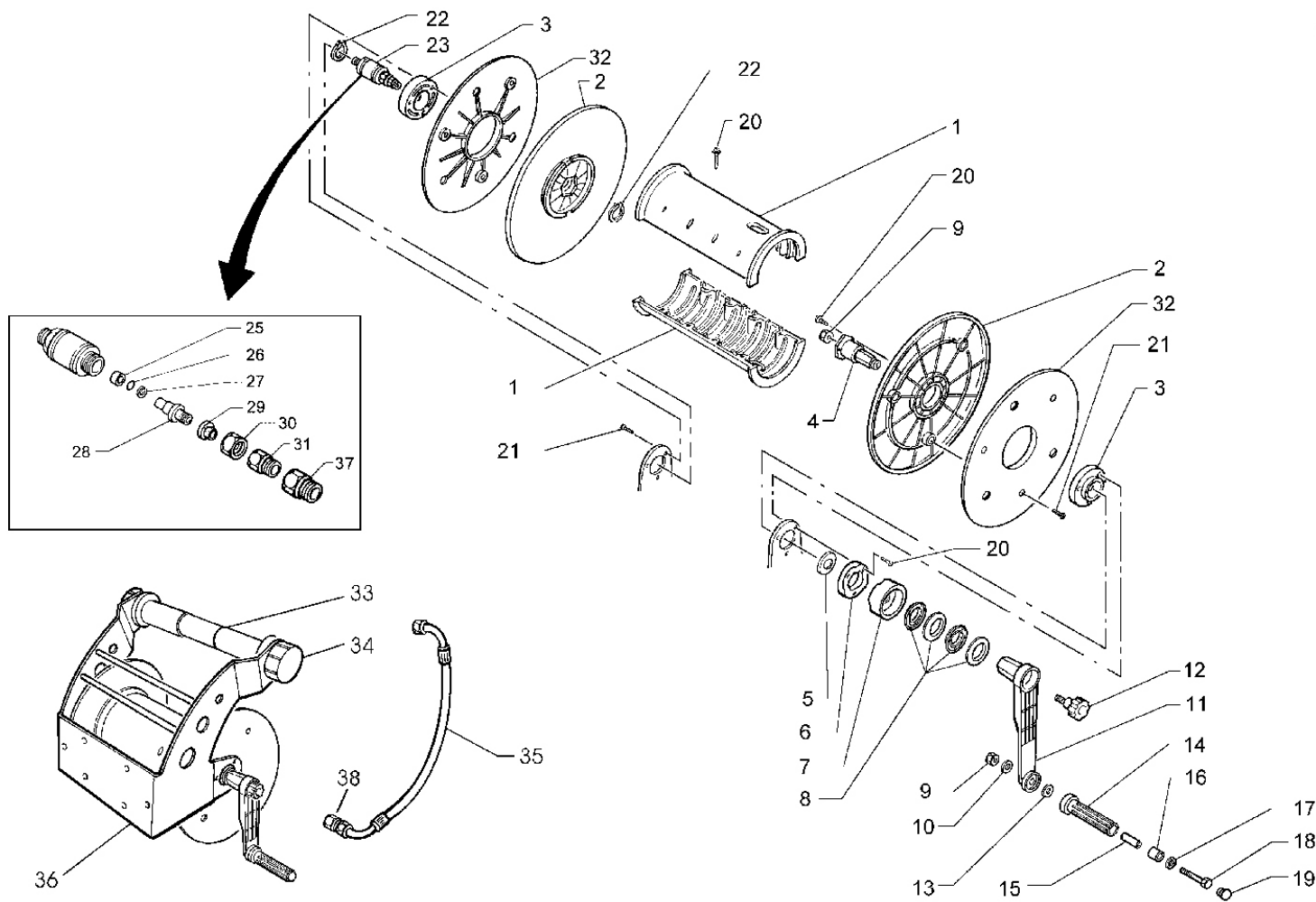
Ref. Part N.	Cust. Part N.	Description	Reference	Price
KTRI40285	KIT P	26- 27 SWIVEL G5000-V/2	0013 0014 0015 0016 0017 0018	--
KTRI40286	KIT P	26- 28 LEVA G5000-V/2	0022 0023 0024 0025	--
KTRI40287	KIT P	26- 29 OR SEDE G5000-V/2	0002 0003 0004 0005 0006 0007 0009	--



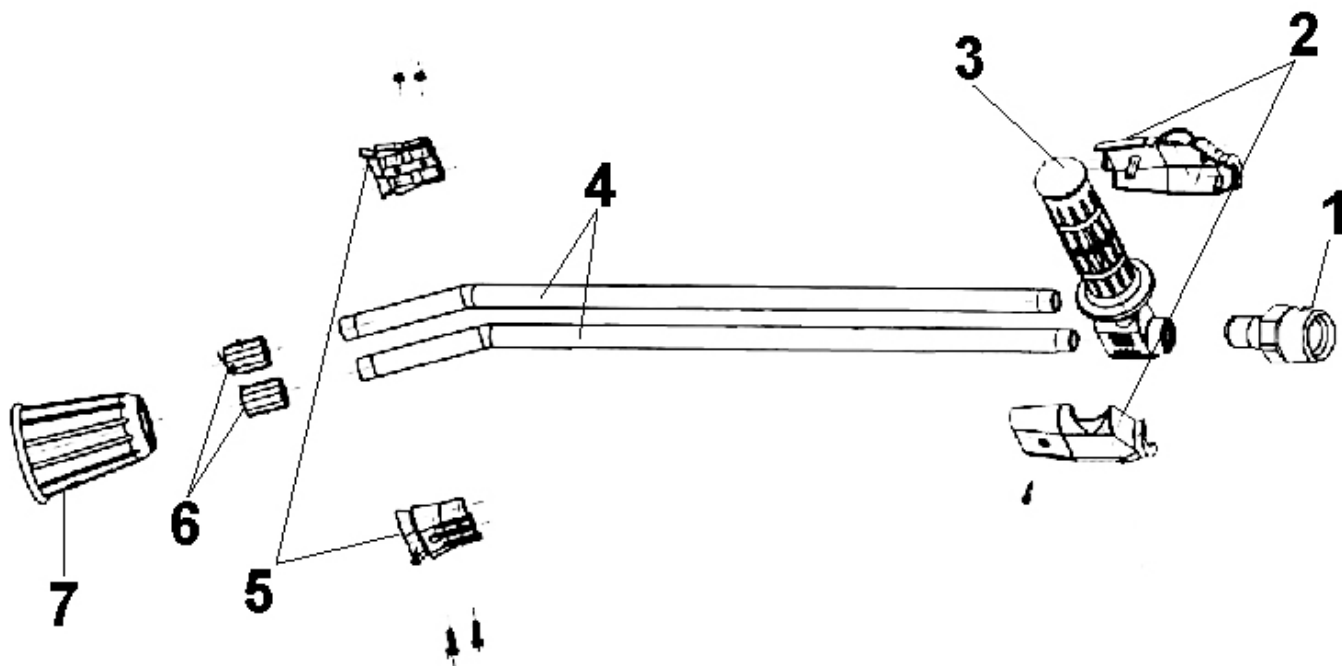
Ref.	K	Part N.	Customer Part N.	Description	Qty	Validity:		Price
						From	To	
0001		VTVR46568		PLUG G 4500	1,00			--
0004		MPVR40157		COVER G 4500 2V.	1,00	05/2008		--
0004		MPVR46563		COVER G 4500	1,00		04/2008	--
0005		MPVR46572		SPACER P 330 ST	1,00			--
0006		LCPR40007		TUBE 1/4 L=352 ZC. 2V.	1,00	05/2008		--
0006		LCPR46571		TUBE 1/4 L=352 ZC.	1,00		04/2008	--
0008		MPVR46569		PLATE G 4500 RD.	1,00			--
0009		MPVR40057		TRIGGER G 4500 -SW	1,00			--
0010		PVVR40030		SMALL PISTON TM ST-2300	1,00			--
0011		GUGO10384		O-RING D. 10 X 2.2 VIT 80SH	1,00			--
0012		RCVR13030		GUDGEON G 1/4 F L=31.5	1,00			--
0013		GUVR10526		ANTI-EXTR.RING D.13.9X10.2 C.BZ	1,00			--
0014		MPVR46570		PROTECTION P 330 ST	1,00			--
0015		PVVR13445		CONNECTION M 22X1.5 L=45	1,00			--
0016		MPVR40058		RING NUT G4500 SW.	1,00			--
0017		RCIN40001		JOINT SWIV 4500 3/8"F	1,00		04/2008	--
0017		RCIN40005		JOINT SWIV 4500 3/8"F 2V.	1,00	05/2008		--
0018		RCIN31641		CONNECTOR SWIV 1500 F	1,00			--
0019		KTRI31645		KIT P 26- 14	1,00			--
0021		PVVR40031		ROD ST-2300	1,00			--
0022		MPVR40156		SHELL G 4500 2V.	1,00	05/2008		--
0022		MPVR46562		SHELL G 4500	1,00		04/2008	--
0023		PVVR40023		TUBE G 1/4" M/M P/SW.	1,00			--
0024		GUGO27021		O-RING D. 11 X 2.5 EPD 70SH	1,00	05/2008		--



Ref.	K	Part N.	Customer Part N.	Description	Qty	Validity: From	To	Price
0001		MPVR40078		HALF BEARING ROLLER 20 P/IN.M22	2,00	05/2008		--
0002		MPVR74140		DISC ROLLER 20/40	2,00			--
0003		MPVR77565		RING ROLLER 20/40	2,00			--
0004		FGGT74143		JOINT ROLLER 20/40	1,00			--
0005		MPVR77567		RING ROLLER	1,00			--
0006		MPVR77568		RING ROLLER	1,00			--
0007		MPVR77569		RING ROLLER	1,00			--
0008	S	MLML74155		SPRING ROLLER	4,00			--
0009		VTDD00492		NUT M 8 ZINC	1,00	03/2004		--
0010		VTRS00512		WASHER D. 8 X24 ZC.	1,00	07/2004		--
0011		MPVR74142		LEVER ROLLER 20/40	1,00			--
0012		VTVR74163		HANDWHEEL VAL-PA M 8 X 30	1,00			--
0013		VTRS00505		WASHER D.10 TE UNI 6592	1,00			--
0014		MPVR74792		KNOB	1,00			--
0015		RCVR74200		SLEEVE ROLLER 20/40	1,00			--
0016		MPVR77566		BUSHING ROLLER 20/40	1,00			--
0017		VTRS00504		WASHER D. 8 TE ZC. UNI 6592	1,00			--
0018		VTVT07994		SCREW TE 8X65	1,00	03/2004		--
0019		MPVR37542		RUBBER D.E.25 -L.27 70-80SH	1,00			--
0020		VTVT85143		SCREW AF 4X 16 UNI 6954-71 ZN.N	12,00			--
0021		VTVT87974		SCREW AF 4X 12 UNI 6954-71 ZN.N	9,00	05/2011		--
0022		VTAE31890		CIRCLIP D. 35 UNI 7435	2,00			--
0023		RCIN75339		SWIVEL RACCORD ROLLER	1,00			--
0025		LAFN74740		BUSHING	1,00			--
0026		GUGO38710		O-RING D. 9.3 X 2.4 VIT 70SH	1,00			--
0027		GUVR72923		ANTI-EXTR.RING 13,9X 10,2	1,00			--
0028		LAFN74737		PIN	1,00			--
0029		RCVR74739		SPACER	1,00			--
0030		RCDS74738		RING NUT M22x1	1,00			--
0031		RCIN74742		COUPLING G 3/8M	1,00			--
0032		MPVR86961		DISC ROLLER 20/40 NERO	2,00			--
0032		VTVT13797		SCREW TE 8X16 UNI8111 SW.FRM	6,00	03/2009		--
0033		MPVR74138		GRIP SHARK	1,00			--
0034		MPVR40573		TANK CAP MHDS-SK	2,00			--
0035		TBAP75441		HOSE-FITTING 3/ 8 L=665 R2 3/8F 90°	1,00			--
0036		LAFN85235		HOSE WIND.SUPP.ADMIRAL	1,00			--
0037		RCIN03753		MALE COUPLING M22-3/8 M-FA	1,00	10/2007		--
0038		RCIN03755		FEMALE COUPLIN.3/8MB	1,00	10/2007		--

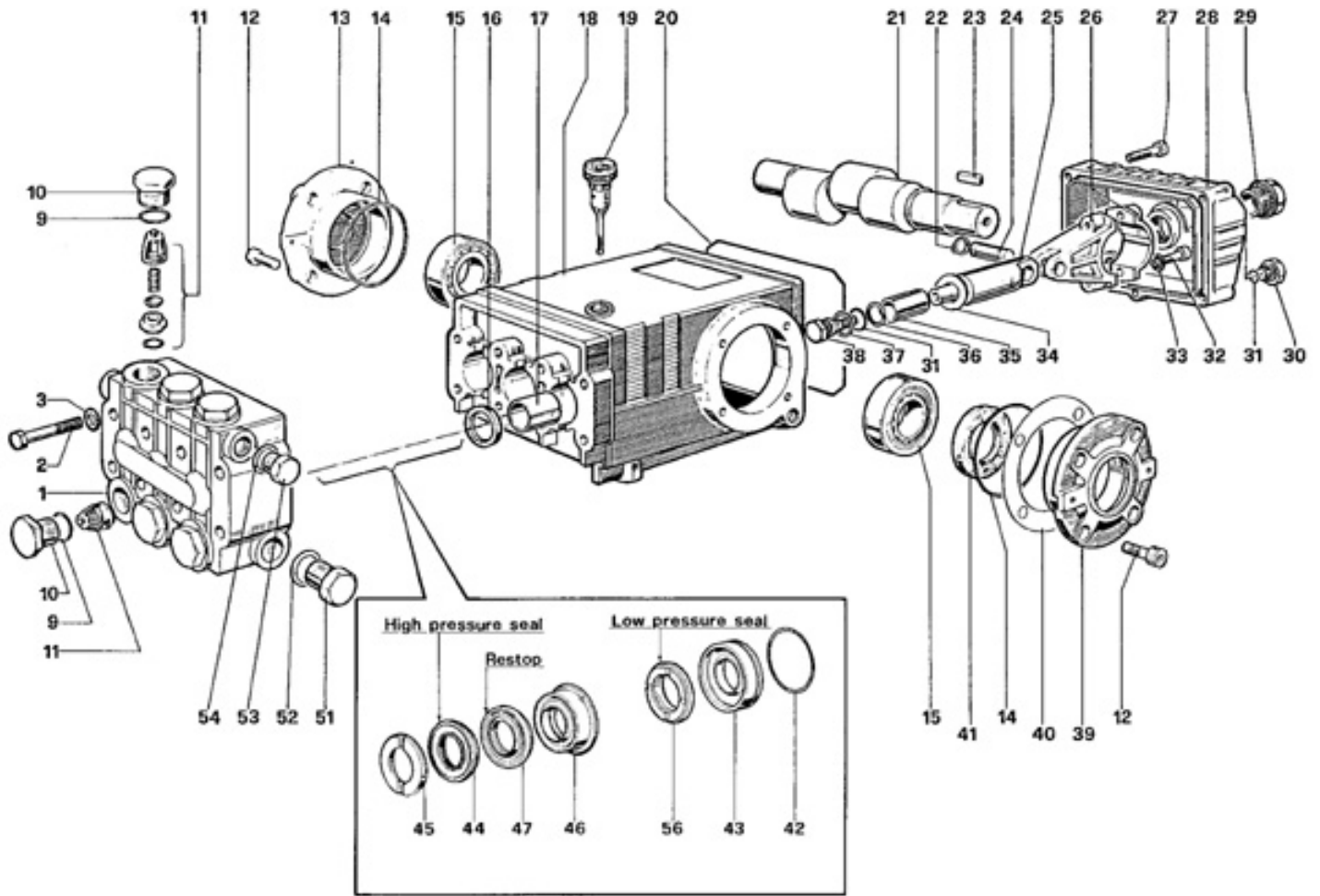


Ref. Part N.	Cust. Part N.	Description	Reference	Price
0008	KTRI76783	KIT P ROLLER 20-40	0008	--

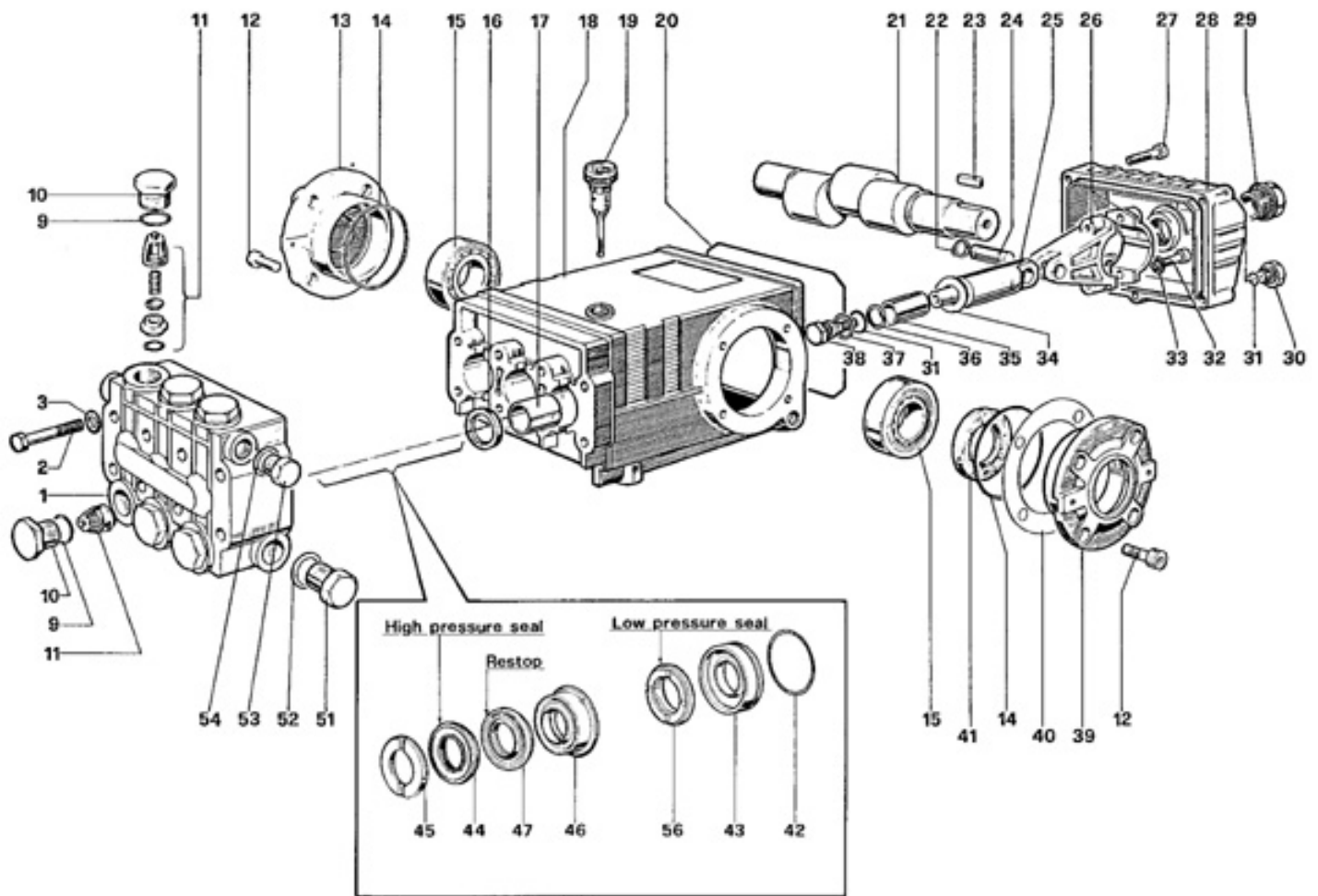


Ref. K	Part N.	Customer Part N.	Description	Qty	Validity:		Price
					From	To	
0001	PVVR45296		COUPLING G 1/4M -M22 M +PR.PLS	1,00			--
0002	MPVR45214		PROTECTION TB.1/4 MTM	1,00			--
0003	RCGR45737		TAP 1/8 F LD MTM	1,00			--
0004	LCPR45740		TUBE 1/8 L=660 INOX MTM	2,00			--
0005	MPVR45001		SHELL LD MTM	1,00			--
0006	RCVR45741		NOZZLE HOLDER 1/4-1/8 F MTM	2,00			--
0007	PVVR43810		PROTECTION L.D. MTM	1,00			--

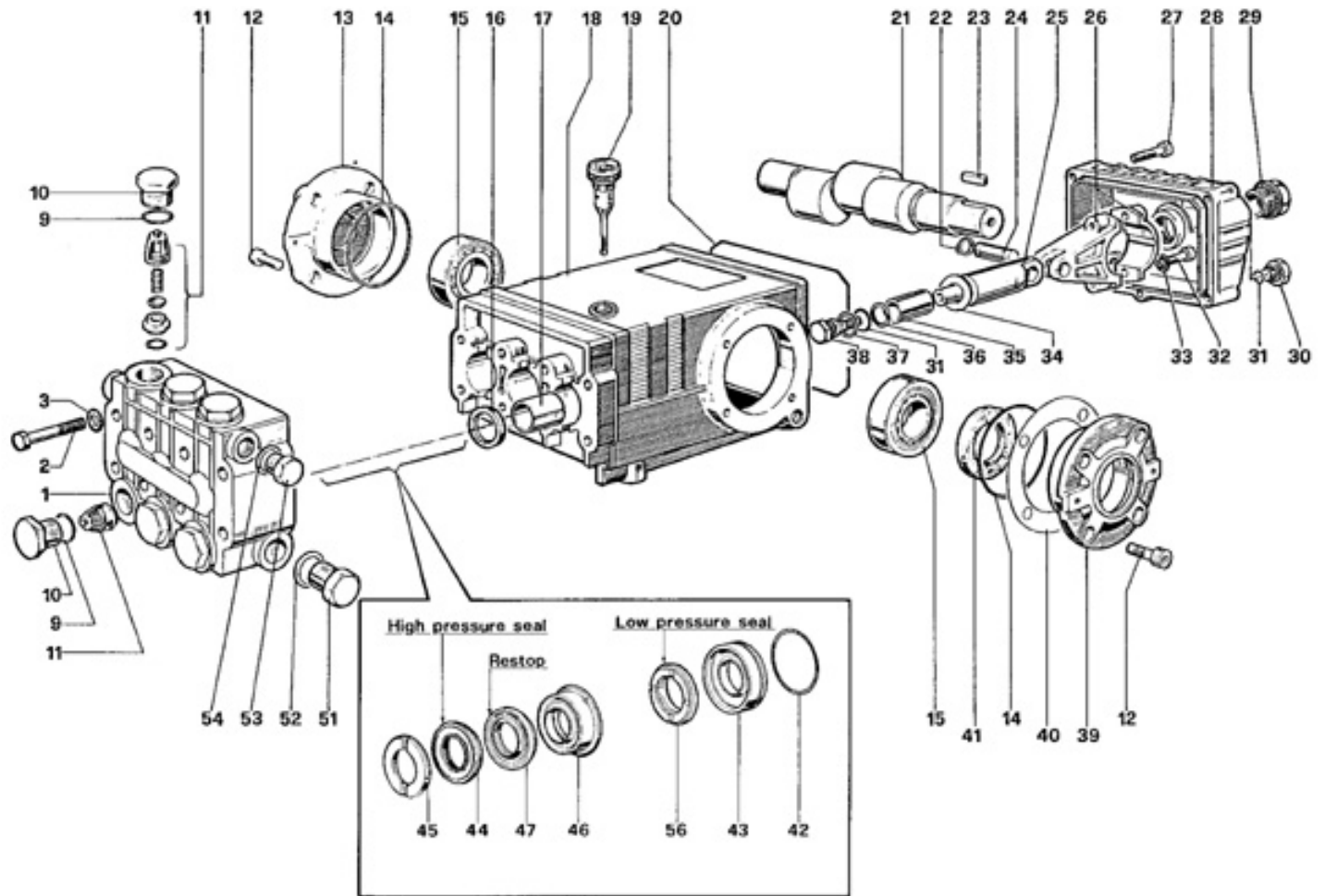




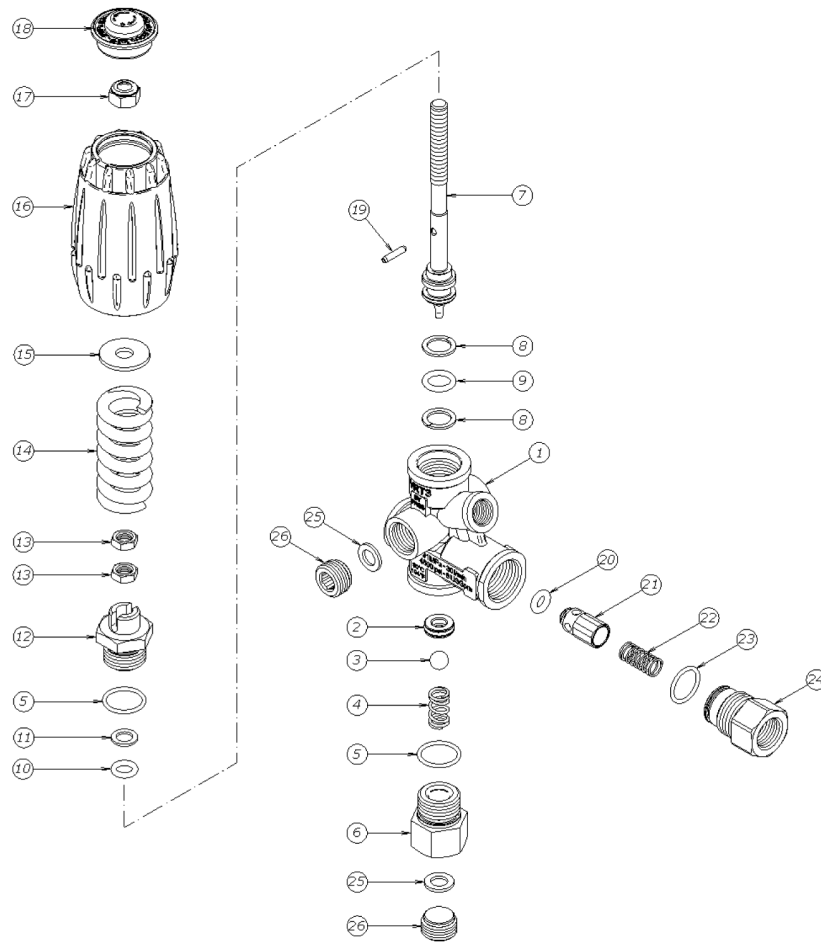
Ref.	K	Part N.	Customer Part N.	Description	Qty	Validity: From To	Price
0001		MFVR41492		HEAD TS 1511 OT58	1,00		--
0002		VTVT01111		SCREW TE M 8X70 UNI 5737	8,00		--
0003		VTRS01072		WASHER D. 8 TC	8,00		--
0009	S	GUGO01033		O-RING D. 20.24 X 2.62 NBR 90SH	6,00		--
0010		RCDS01087		CAP M24X2X16 OTT	6,00		--
0011	S	VVAM01104		VALVE UNIT W 70-151	6,00		--
0012		VTVT01118		SCREW TCEI M 8X16 ZC. UNI 5931	8,00		--
0013		MFVR03576		CRANKASE COVER W151	1,00		--
0014		GUGO01041		O-RING D. 67.95 X 2.62 NBR 70SH	2,00		--
0015		CUVR09205		ROLLER BEARING 32206 A	2,00		--
0016	S	GUGO01000		OIL SEAL 22X 32X 5 NBR70	3,00		--
0017		PVVR01011		BUSHING W 151	3,00		--
0018		MFVR41490		PUMP CRANKCASE TS 1521	1,00		--
0019		PVVR01011		BUSHING W 151	3,00		--
0020		GUGO34590		O-RING D. 133.02 X 2.62 NBR 70SH	1,00		--
0022		VTAE14016		CIRCLIP D. 12 UNI 7435	6,00		--
0023		VTVR41531		KEY 8X 7X35 UNI 6604A	1,00		--
0024		PVVR01085		GUDGEON D.13X35 W151	3,00		--
0025		PVVR15130		PISTON GUIDE WS201	3,00		--
0026		BLVR01009		CONNECTING ROD W 151	3,00		--
0027		VTVT01116		SCREW TCEI 6X30 UNI5931	5,00		--
0028		MFVR03582		CRANKASE COVER W 151 POS	1,00		--
0029		PVVR01083		OIL INDICATOR G 3/4 W70-151	1,00		--
0030		RCDS01088		CAP 1/4X 9 M WW90	1,00		--
0031	S	GUGO01036		O-RING D. 10.82 X 1.78 NBR 70SH	4,00		--
0032		VTVT01120		SCREW TCEI 8X35 UNI5931	6,00		--
0034	S	VTRS01753		WASHER D.14X28 X0,5	3,00		--
0035		PIVR01066		PISTON D.20X50 W 151	3,00		--
0036	S	GUVR00994		ANTI-EXTR.RING W151	3,00		--
0037	S	VTRS01076		WASHER D.14X18,5X0,5	3,00		--
0038	S	PVVR01107		PISTON BOLT IP W151	3,00		--
0039		MFVR03583		CRANKASE COVER W151	1,00		--
0040		PVVR01016		THICKNESS 0,1 W 151	2,00		--
0041	S	GUGO01003		OIL SEAL 30X 55X 7 NBR70	1,00		--
0042	S	GUGO01042		O-RING D. 34.6 X 1.78 NBR 70SH	3,00		--
0043	S	PVVR00977		PACKING RETAIN.W151	3,00		--
0044	S	GUVR00981		PACKING W151	3,00		--
0045	S	PVVR00985		HEAD RING W151	3,00		--
0046	S	PVVR15195		INTERMED. RING VEDI 34589	3,00		--



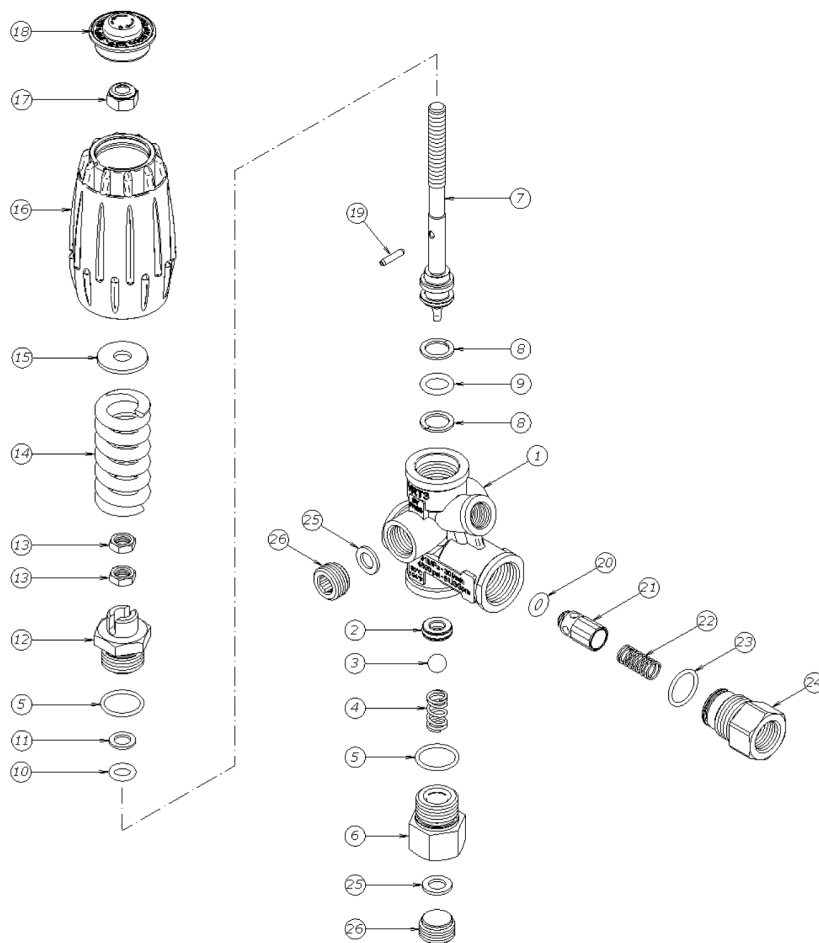
Ref.	K	Part N.	Customer Part N.	Description	Qty	Validity:		Price
						From	To	
0047	S	GUVR15196		RING VEDI 34587	3,00			--
0051		RCDS01091		CAP 1/2X10 M	1,00			--
0052		VTRS01075		WASHER D.21,5X27 ALL	1,00			--
0053		RCDS01090		CAP 3/8X13 M WW90	1,00			--
0054		VTRS01074		WASHER D.17,05X22,3 X1,5	1,00			--
0056	S	GUVR34585		PACKING W 151 L.P.	3,00			--



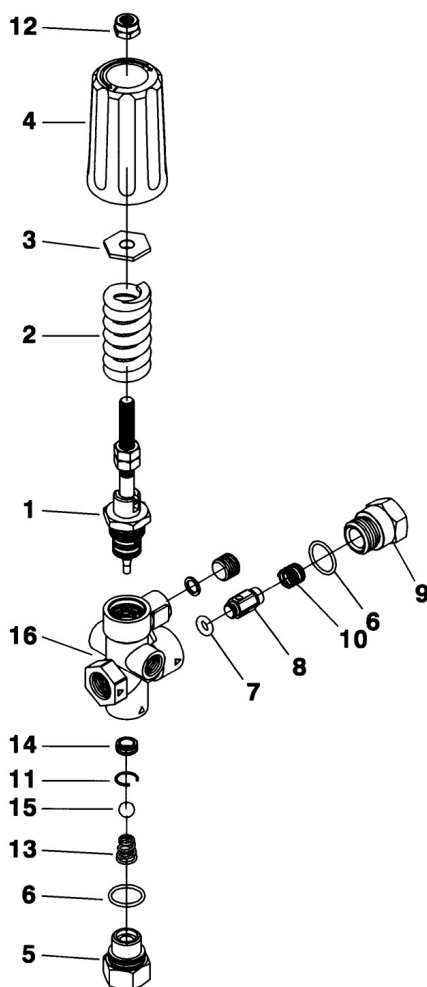
Ref. Part N.	Cust. Part N.	Description	Reference	Price
KTRI14900	KIT P	15- 3	0041	--
KTRI14901	KIT P	10	0042 0043	--
KTRI17793	KIT P	6	0031 0034 0036 0037 0038	--
KTRI17796	KIT P	5	0009 0010	--
KTRI17859	KIT P	1	0011	--
KTRI17860	KIT P	2	0016	--
KTRI18574	KIT P	7	0045	--
KTRI18579	KIT P	28	0042 0043 0044 0045 0046 0047 0056	--
KTRI35429	KIT P	71	0046 0047	--
KTRI36927	KIT P	69	0044 0047 0056	--



Ref.	K	Part N.	Customer Part N.	Description	Qty	Validity:		Price
						From	To	
0001		PVVR40342		VALVE BODY VRT3 3/8F	1,00			--
0002	S	PVVR40343		BALL SEAT D.7 VRT3 + OR	1,00			--
0003	S	SFVR27026		BALL D.11/32" INX	1,00			--
0004		MLML40024		SPRING MV0316 28	1,00			--
0005	S	GUGO24913		O-RING D. 17.17 X 1.78 NBR 90SH	2,00			--
0006		PVVR40344		CONNECTOR VRT3 G3/8F	1,00			--
0007		PVVR40345		PUSH ROD VRT3	1,00			--
0008	S	GUVR40070		ANTI-EXTR.RING D. 11.5X15.9X1.2	2,00			--
0009	S	GUGO11225		O-RING D. 10.78 X 2.62 NBR 70SH	1,00			--
0010	S	GUGO21638		O-RING D. 7.60 X 2.62 NBR 70SH	1,00			--
0011	S	GUVR40071		ANTI-EXTR.RING D. 8 X 12.6	1,00			--
0012		PVVR40346		ROD GUIDE VRT3	1,00			--
0013		VTDD40011		NUT M 8 OT UNI EN 24035	2,00			--
0014		MLML40025		SPRING D. 5.7/20.7X56 25MPa	1,00			--
0015		VTRS00512		WASHER D. 8 X24 ZC.	1,00			--
0016		PVVR40347		KNOB VRT3-VHP	1,00			--
0017		VTDD00124		NUT M 8 BASSO	1,00			--
0018		PVVR40348		CAP VRT3 25MPa	1,00			--
0019		VTVR40045		ELASTIC PLUG 3X14 UNI-EN28748	1,00			--
0020	S	GUGO46053		O-RING D. 6 X 3 NBR 90SH	1,00			--
0021		PVVR40349		COUPLING VRT3	1,00			--
0022		MLML40026		SPRING VRT3	1,00			--
0023	S	GUGO12321		O-RING D. 15.6 X 1.78 NBR 90SH	1,00			--
0024		PVVR40350		CONNECTOR VRT3 G 3/8F	1,00			--
0025		VTRS12254		WASHER D. 8X14X1.5	2,00			--
0026		PVVR40351		CAP EI G 3/8 VRT3 OT	2,00			--

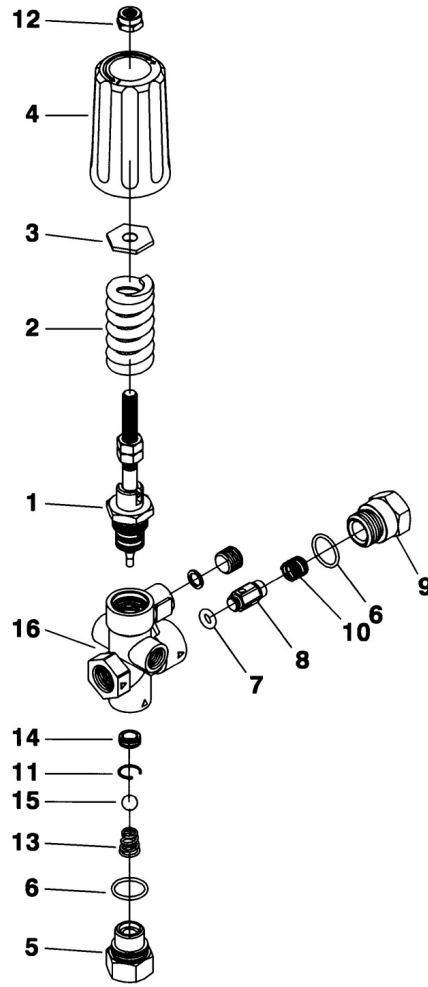


Ref. Part N.	Cust. Part N.	Description	Reference	Price
KTRI40217	KIT P	14-102 VRT3	0002 0003 0005 0009 0010 0011 0020 0023 0008	--



Ref.	K	Part N.	Customer Part N.	Description	Qty	Validity:		Price
						From	To	
0001		PVVR46049		CONNECTOR MV 550 CP.	1,00			--
0002		MLML46050		SPRING 250 BAR	1,00			--
0003		PVVR46051		CAP MV 550	1,00			--
0004		PVVR60860		KNOB MV 550	1,00			--
0005		PVVR46052		CONNECTOR MV 550	1,00			--
0006	S	GUGO01058		O-RING D. 17.17 X 1.78 NBR 70SH	2,00			--
0007	S	GUGO46053		O-RING D. 6 X 3 NBR 90SH	1,00			--
0008	S	PVVR46054		PIN MV 550	1,00			--
0009		PVVR46055		CONNECTOR MV 550	1,00			--
0010	S	MLML46056		SPRING D. 9.9X11.5X0.77	1,00			--
0011	S	PVVR46057		CIRCLIP MV 550	1,00			--
0012		VTDD00492		NUT M 8 ZINC	1,00			--
0013	S	MLML46058		SPRING D. 6.5-11.8	1,00			--
0014	S	PVVR46059		BALL SEAT D.7 MV 550 + OR	1,00			--
0015	S	SFVR06779		BALL INOX 11/32	1,00			--
0016		PVVR46060		VALVE BODY MV 550	1,00			--





Ref. Part N.	Cust. Part N.	Description	Reference	Price
KTRI46064		KIT P 14- 54	0006 0007 0010 0013 0015	--
KTRI46065		KIT P 14- 55	0011 0014	--