

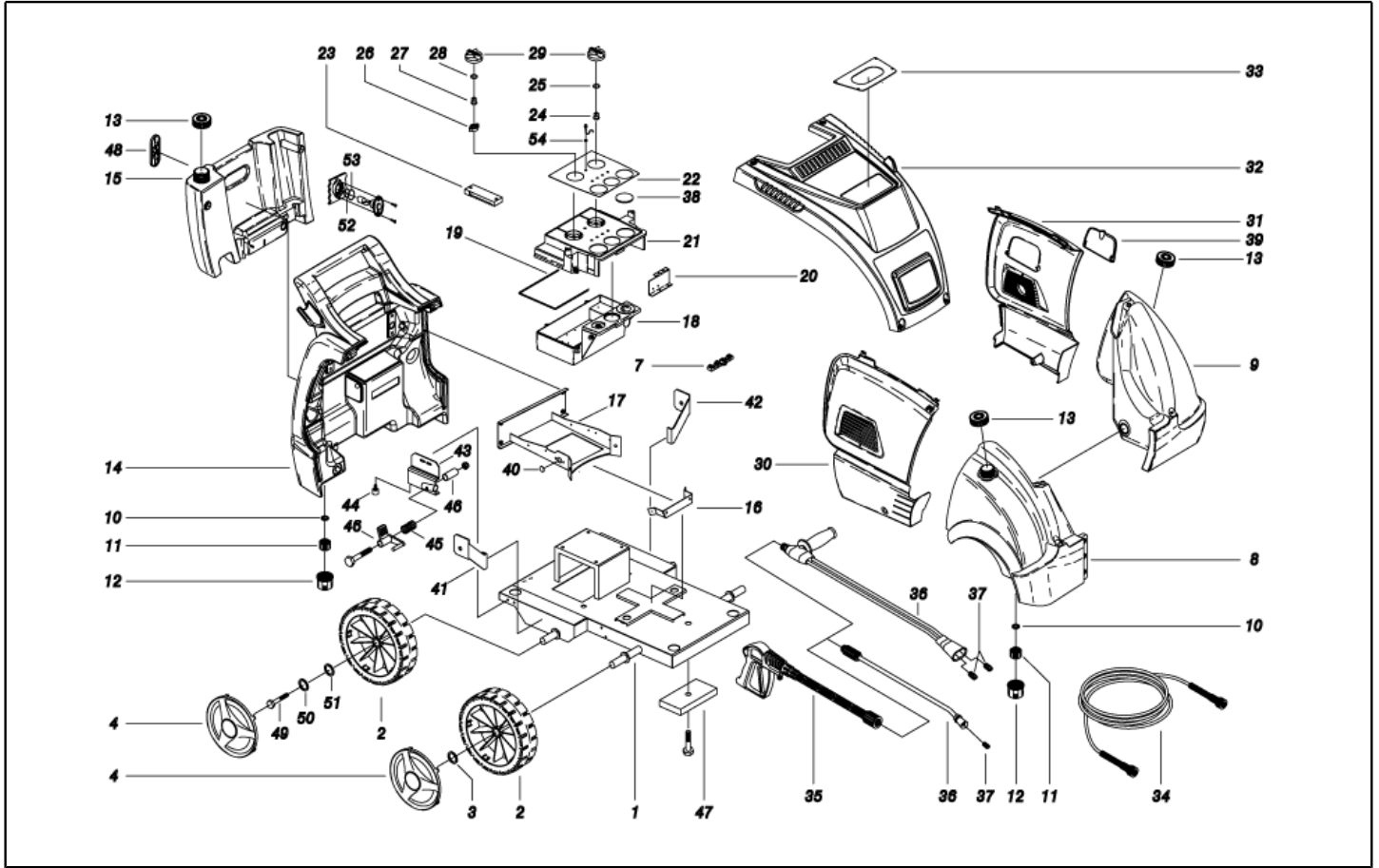


IPC

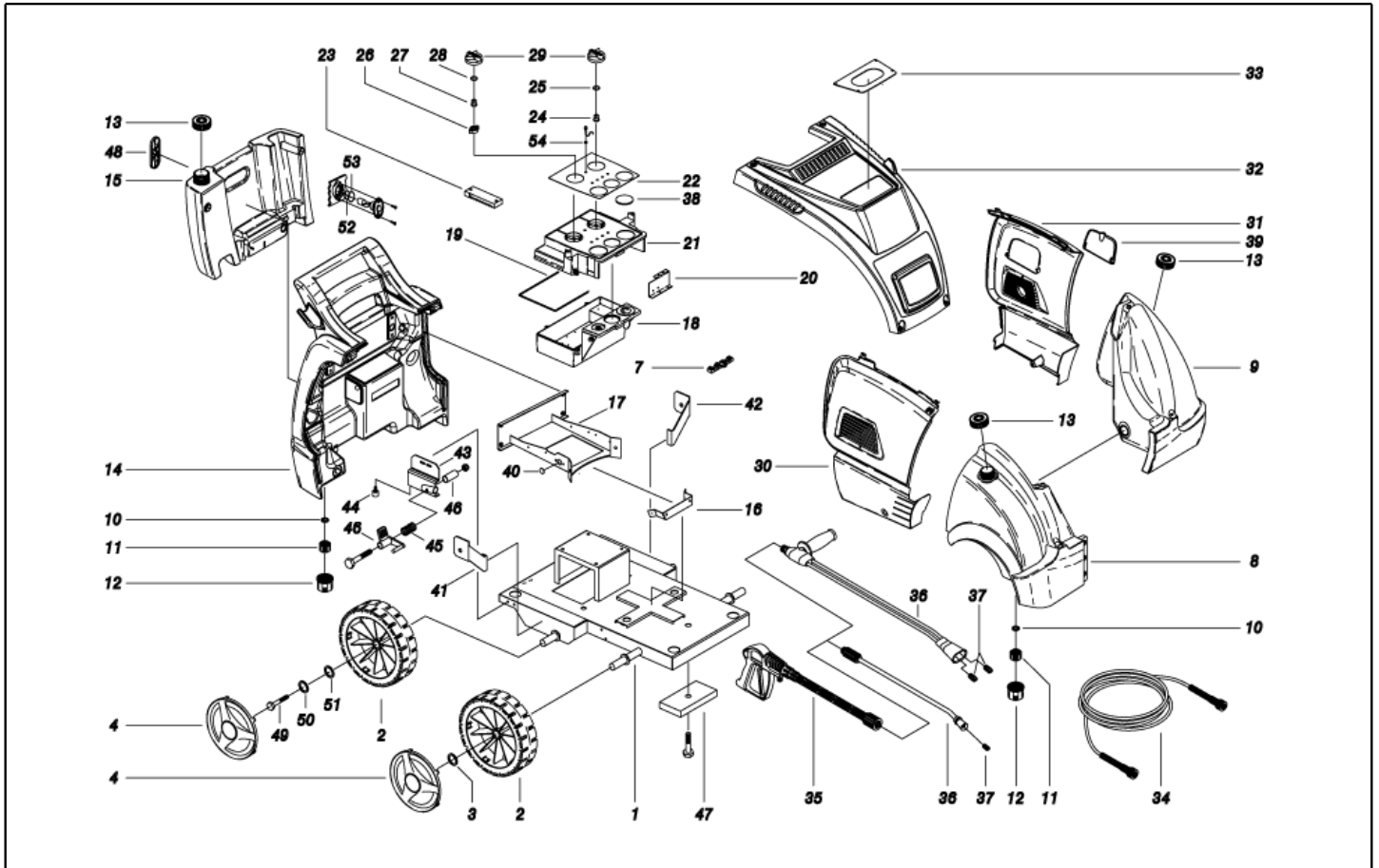
Spare parts list

Ref: IDAC40357

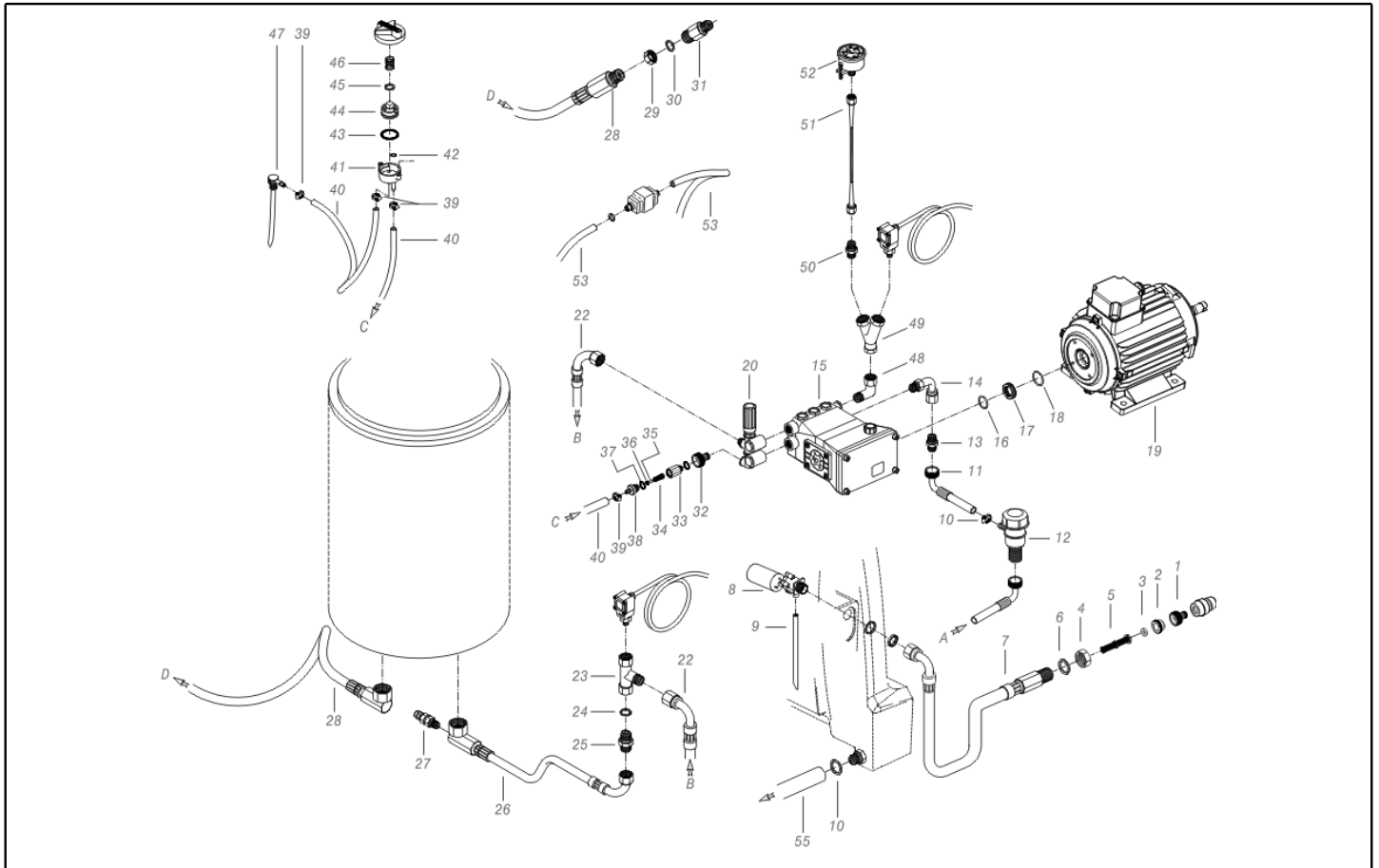
Model: H.P. CLEANER PW-H40/4D1310 M230/50 IPC



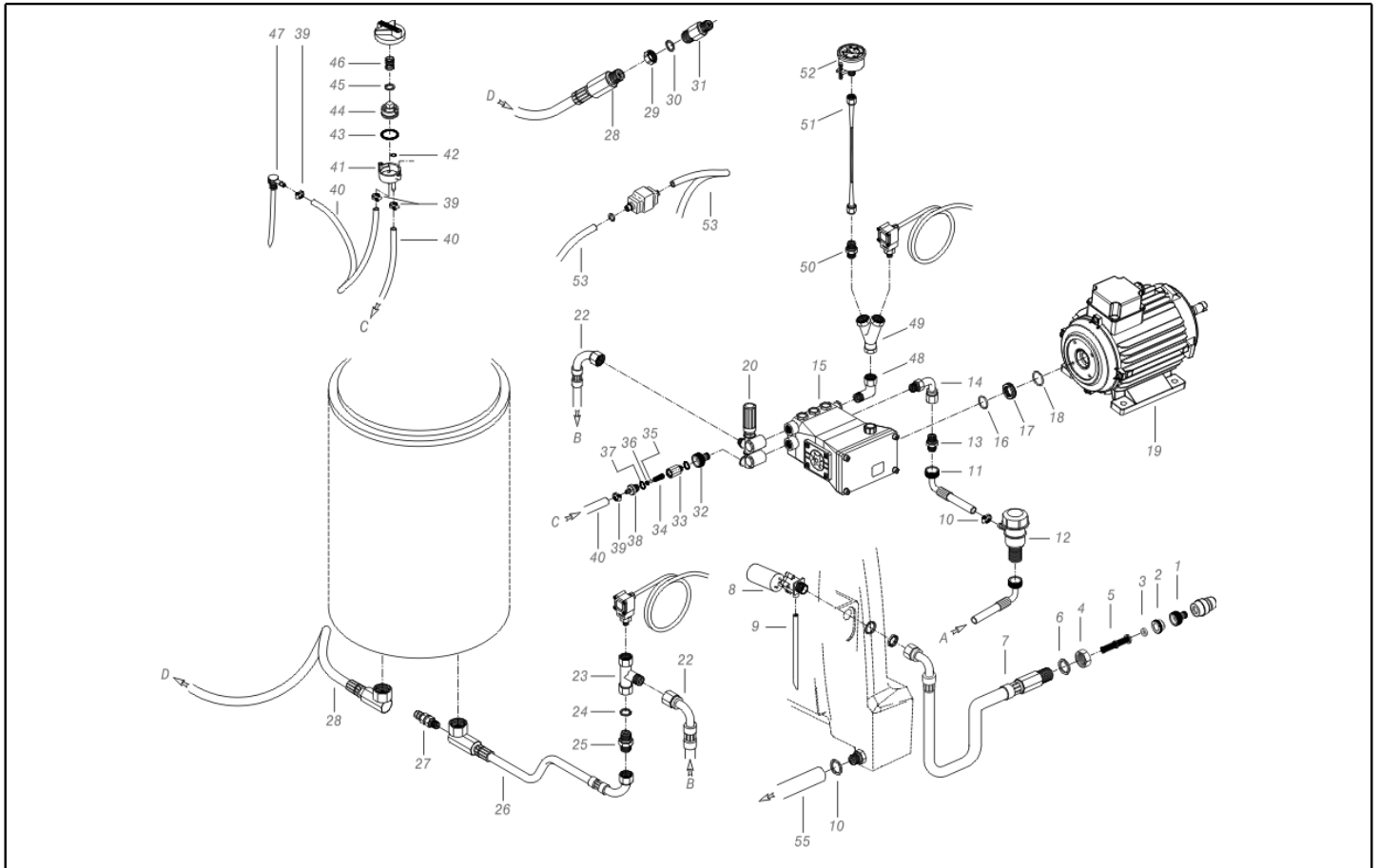
Ref. K	Part n.	Customer part n.	Description	Quantity	Validity		Price
					From	To	
0001	LAFN40152		CHASSIS P176-4W	1,00			--
0002	RTRT40045		WHEEL D.300-D.25 FLY-IPC BK/GRN	4,00	15/10/2015		--
0002	RTRT45383	00045383	WHEEL D.305-D.25 RT-IPC	4,00		14/10/2015	--
0003	VTRS09813	00009813	WASHER D.25	2,00	01/08/2012		--
0004	MPVR40292		HUB CAP D. 305 RT-PRT GR.368C	4,00		14/10/2015	--
0004	MPVR40734		HUB CAP D.50 G-48/PC GR.368C	4,00	15/10/2015		--
0005	VTDD46044	00046044	NUT M 6 GB. 1.7X 2.5 ZT	2,00			--
0007	MEVR20906	00020906	CABLE CLAMP KSM	1,00			--
0008	MPVR47393	00047393	FUEL TANK P176-S/CTR.LIV. PEHD	1,00			--
0009	MPVR46913	00046913	TANK P176-S/CTR.LV.PEHD	1,00			--
0010	GUGO11489	00011489	GASKET D.22X1,5	2,00	22/12/2005		--
0011	PVVR11806	00011806	DISCHARGE CAP FLL	2,00			--
0012	MPVR20187	00020187	RING NUT M 39 X 3	2,00			--
0013	MPVR45426	00045426	TANK CAP P176 PEHD	1,00			--
0013	MPVR45426	00045426	TANK CAP P176 PEHD	2,00			--
0014	MPVR40227		HANDLE P176-OPT C/SRB.-EN PEHD	1,00	20/01/2011		--
0015	MPVR46752	00046752	TOOL HOLDER P176-DAY C/SRB. PEHD	1,00			--
0016	LAFN47470	00047470	SUPPORT P176-2V.	1,00			--
0017	LAFN89452		SUPPORT P176-3V.	1,00			--
0018	MPVR47707	00047707	CONTROL BOX P176-2 CMP/MO. ABS	1,00			--
0019	GUGO33675	00033675	JOINT MOUSSE D. 4	0,97			--
0020	LAFN45827	00045827	SUPPORT BRACKET P176 BT	1,00			--
0021	MPVR47415	00047415	BOX COVER P176-2 ABS	1,00			--
0022	ETET40388		LABEL P176-175 GRN. PLC.	1,00			--
0023	MPVR33250	00033250	CABLE CLAMP COV MISTRAL	1,00			--
0024	MPVR23482	00023482	SWITCH TANG TEC. TUV	1,00			--
0025	GUGO23079	00023079	V-SEAL RING VAO014 13.5- 15.5	1,00			--
0026	MPVR41903	00041903	THICKNESS TERM.IM.PA66	1,00			--
0027	MPVR23484	00023484	TAIL PIECE THERM.KSM TUV	1,00			--
0028	GUGO25527	00025527	O-RING D. 14 X 3 NBR 70SH	1,00			--
0029	MPVR49057	00049057	BLACK KNOB P176-M.RACE PA6	3,00			--
0030	MPVR40295		LAT. PANEL P176-4W DX GR.368C	1,00			--
0031	MPVR40296		LAT. PANEL P176-4W SX GR.368C	1,00			--
0032	MPVR40288		GREEN COVER P176-OPTIMA PP GR.368C	1,00			--
0033	LAFN45454	00045454	PANEL P176-OPT INX	1,00			--
0034	TBAP25324	00025324	H.P. HOSE R1 MT 10 5/16" C/2 IRV ZC	1,00			--
0035	IPPR40010		GRIP G 5100+P.330 +M22 SW.M V	1,00		29/02/2016	--
0035	IPPR40020		GRIP G 6000+P.330 +M22 SW.M V	1,00	01/03/2016		--
0036	LCPR12976	00012976	EXTENSION P 70	1,00		30/11/2016	--
0036	LCPR40087		EXTENSION P 70 -P20.IX700 M22 M	1,00	01/12/2016		--
0037	UGLN11195	00011195	NOZZLE LECH 1/4 25035	1,00		12/02/2004	--
0037	UGLN49990	00049990	NOZZLE LECH 1/4 25034	1,00	13/02/2004		--
0038	MPVR47727	00047727	CAP P176 RES.BK	1,00			--
0039	MPVR40290		DOOR P176 PP GR.368C	1,00			--



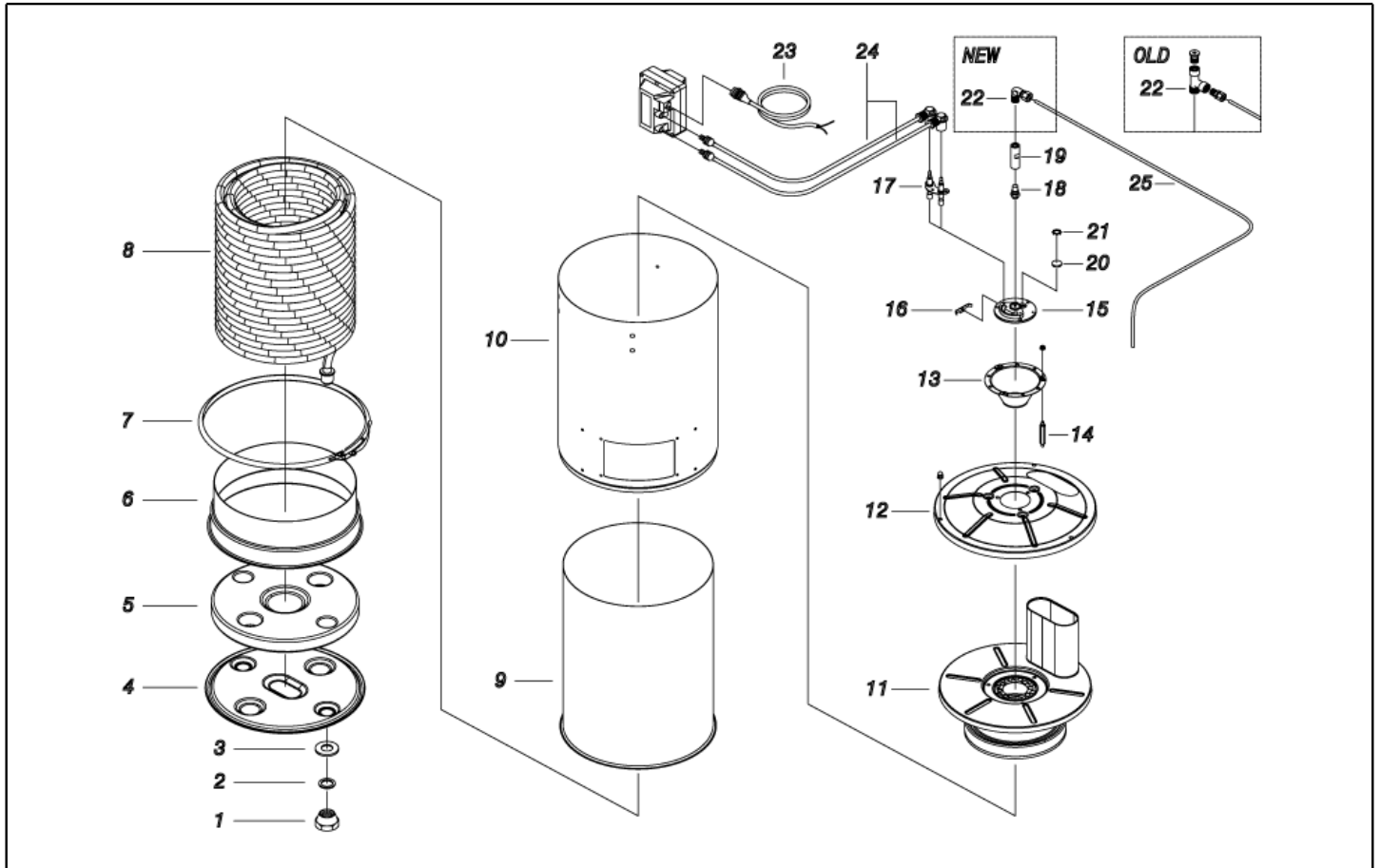
Ref. K	Part n.	Customer part n.	Description	Quantity	Validity		Price
					From	To	
0040	MEVR27264	00027264	FUSE-HOLDER 031-1081	1,00			--
0041	LAFN40155		BRACKET P176-4W DX ZC.	1,00			--
0042	LAFN40156		BRACKET P176-4W SX ZC.	1,00			--
0043	LAFN40154		BRACKET P176-4W BK.	1,00		14/10/2015	--
0043	LAFN40801		BRACKET P176-4W 2V. BK.	1,00	15/10/2015		--
0044	ABGO34061	00034061	VIBRATION DAMP. CL.25X17- 1M6X12 60SH NBR	1,00	15/10/2015		--
0045	MLML11917	00011917	SPRING D. 14.5 X24 X2.2	1,00	15/10/2015		--
0046	MPVR28178	00028178	CONTROL LEVER MTH PL.	1,00		14/10/2015	--
0046	MPVR40751		TRIGGER H28/4W	1,00	15/10/2015		--
0047	LAFN40177		WEIGHT P176-4W BK.	1,00			--
0048	MPVR40293		CAP P176 PP GR.368C	2,00			--
0049	VTVT00447	00000447	SCREW TE 8X25 UNI5739	2,00	01/08/2012		--
0050	VTRS00513	00000513	WASHER D. 8 X32 P.	2,00	01/08/2012		--
0051	VTRS40028		WASHER D.26 X37 X5 ZC.	2,00	15/10/2015		--
0051	VTRS73055	00073055	WASHER D.44x26x4 ZC U.6592	2,00	01/08/2012	14/10/2015	--



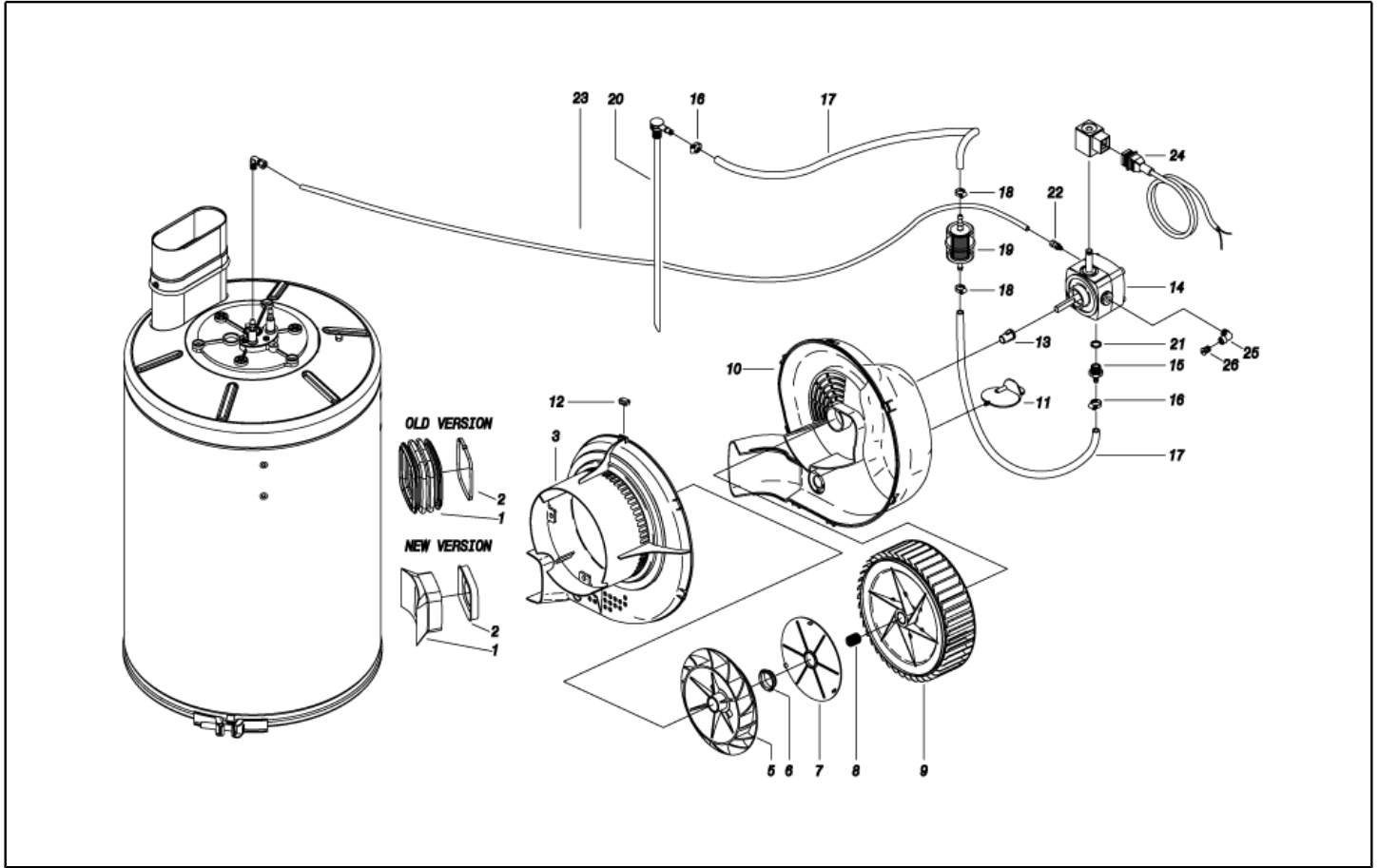
Ref. K	Part n.	Customer part n.	Description	Quantity	Validity		Price
					From	To	
0001	RCVR29600	00029600	SOCKET PTC 3/4 F	1,00			--
0002	RCVR37806	00037806	REDUCTION PTC 3/4-1/2 M/F	1,00			--
0003	GUGO37736	00037736	GASKET D. 10-19 X 5 70SH	1,00			--
0004	RCDS49875	00049875	RING NUT 1/2" X 6 CH.27 OT.	1,00			--
0005	FTAC30214	00030214	FILTER D.15X67	1,00			--
0006	VTRS00549	00000549	WASHER D.21,5X27X1,5 (1/2) RM	1,00			--
0007	TBBP48636	00048636	L.P. HOSE L= 950 3/4F 90°- 1/2M 0°	1,00			--
0008	RCGR40005		FLOATER MTM 3/4 PP. S/F. +ADP.176	1,00	20/01/2011		--
0008	RCVR49974	00049974	RING NUT 3/4" X 4 NIK	1,00	20/01/2011		--
0010	FSVR00431	00000431	CLAMP D. 16-25	1,00			--
0011	TBBP40027		L.P. HOSE L=150 3/4F 90° -LIB.15X23	1,00			--
0012	FTAC40006		FILTER S.309 MN.3/4" M-D.16 50MSH	1,00			--
0013	RCDS46146	00046146	NIPPLE 3/4 - 1/2 CB D. 7.5	1,00		16/10/2011	--
0013	RCDS87610	00087610	NIPPLE 3/4 - 1/2 CB D.13.0	1,00	17/10/2011		--
0014	RCVR00575	00000575	ELBOW 1/2" M/F A10	1,00			--
0015	PPAP40092		PUMP RC 10.12 SX N	1,00			--
0016	GUGO21337	00021337	O-RING D. 25.07 X 2.62 VIT 70SH	1,00			--
0017	RCDS25578	00025578	BUSHING IP WW141 OT.	1,00			--
0018	GUGO21339	00021339	O-RING D. 29.82 X 2.62 VIT 70SH	1,00			--
0019	MOMO40018		1PH MOTOR P245 HP 3 240-50 4P 63E	1,00			--
0020	VVAZ40006		VALVE AR M.MATIC 4/B-RC S/I.	1,00		07/07/2013	--
0020	VVAZ40060		VALVE AR M.MATIC 4/B-RC SI-J	1,00	08/07/2013		--
0022	TBAP40026		HOSE-FITTING 3/ 8 R1 L=510 3/8F90°-90°	1,00			--
0023	RCVR40016		CONNECTOR T 3/8 F/M/F OT. A.P.	1,00			--
0024	VTRS00548	00000548	WASHER D.17,5X23X1,5 (3/8)RM	1,00			--
0025	RCDS00610	00000610	NIPPLE 3/8 - 3/8 SV	1,00			--
0026	TBAP40025		HOSE-FITTING 3/ 8 R1 L=245 3/8F90-PM26	1,00			--
0027	VVSC47427	00047427	VALVE MG 1000 G1/4M-M D.8 250B	1,00			--
0028	TBAP46228	00046228	HOSE-FITTING 3/ 8 VP L=485 M26+3/8F-P.	1,00			--
0029	RCDS21120	00021120	RING NUT M 26 X 1,5	1,00			--
0031	RCIN09348	00009348	MALE COUPLING 3/8MA L=32	1,00			--
0032	RCVR02606	00002606	REDUCTION 1/2-1/4 M/F	1,00			--
0033	RCDS46072	00046072	VALVE BODY N/R 1/4F-1/4 P176 OT	1,00			--
0034	MLML21505	00021505	SPRING D. 8 X5 X0.3	1,00			--
0035	SFVR04274	00004274	BALL D. 7/32	1,00			--
0036	GUGO01055	00001055	O-RING D. 5.28 X 1.78 VIT 70SH	1,00			--
0037	GUGO01036	00001036	O-RING D. 10.82 X 1.78 NBR 70SH	1,00			--
0038	RCDS10546	00010546	VALVE SEAT 1/4M + PG. D.3-7.5 OTT	1,00			--
0039	FSVR00427	00000427	CLAMP D. 12 CLIC 66-110	2,00			--
0039	FSVR00427	00000427	CLAMP D. 12 CLIC 66-110	1,00			--
0039	FSVR00427	00000427	CLAMP D. 12 CLIC 66-110	1,00			--
0040	TBBP00051	00000051	DETERGENT HOSE D. 6-12	0,78			--
0040	TBBP00051	00000051	DETERGENT HOSE D. 6-12	1,25			--
0041	RCGR08069	00008069	TAP BODY DET. PRT	1,00			--



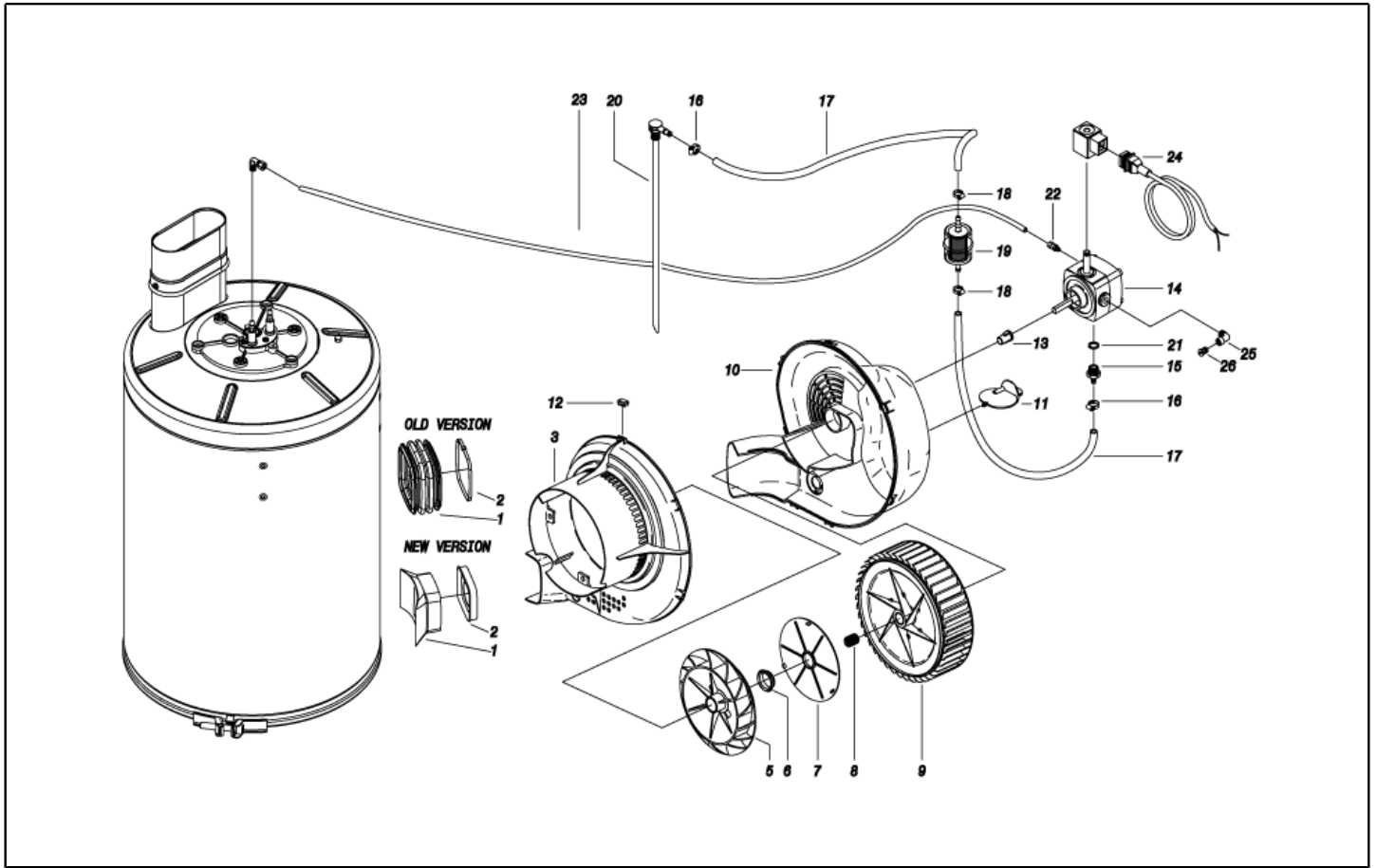
Ref. K	Part n.	Customer part n.	Description	Quantity	Validity		Price
					From	To	
0042	GUGO08071	00008071	O-RING D. 4.48 X 1.78 NBR 70SH	1,00			--
0043	GUGO12183	00012183	O-RING D. 23.4 X 3.53 VIT 70SH	1,00			--
0044	RCGR08070	00008070	ADJUSTER PRT	1,00			--
0045	VTRS00542	00000542	WASHER D.14X20	1,00			--
0046	MLML08068	00008068	SPRING D.1,5 L.23	1,00			--
0047	RCDS46087	00046087	SUCTION L=400 CPL	1,00			--
0048	RCVR72833	00072833	ELBOW 3/8"-1/4" M/F A.P.Ch OTT.	1,00			--
0049	RCVR85245	00085245	CONNECTOR Y 1/4 F/M/F A24 NIK	1,00			--
0050	RCDS00607	00000607	NIPPLE 1/4 - 1/4 SV	1,00			--
0051	TBAP40004		POLYAMIDE HOSE L=260 1/4 F-F	1,00			--
0052	MNMN49621	00049621	PRESSURE GAUGE 0-250 D.50 INOX	1,00			--
0053	TBBP00058	00000058	L.P. HOSE D. 4- 7	0,72			--
0055	TBBP40027		L.P. HOSE L=150 3/4F 90° -LIB.15X23	1,00	23/02/2012		--
0055	TBBP40028		L.P. HOSE L=130 3/4F 90° -LIB.15X23	1,00	09/11/2010	22/02/2012	--



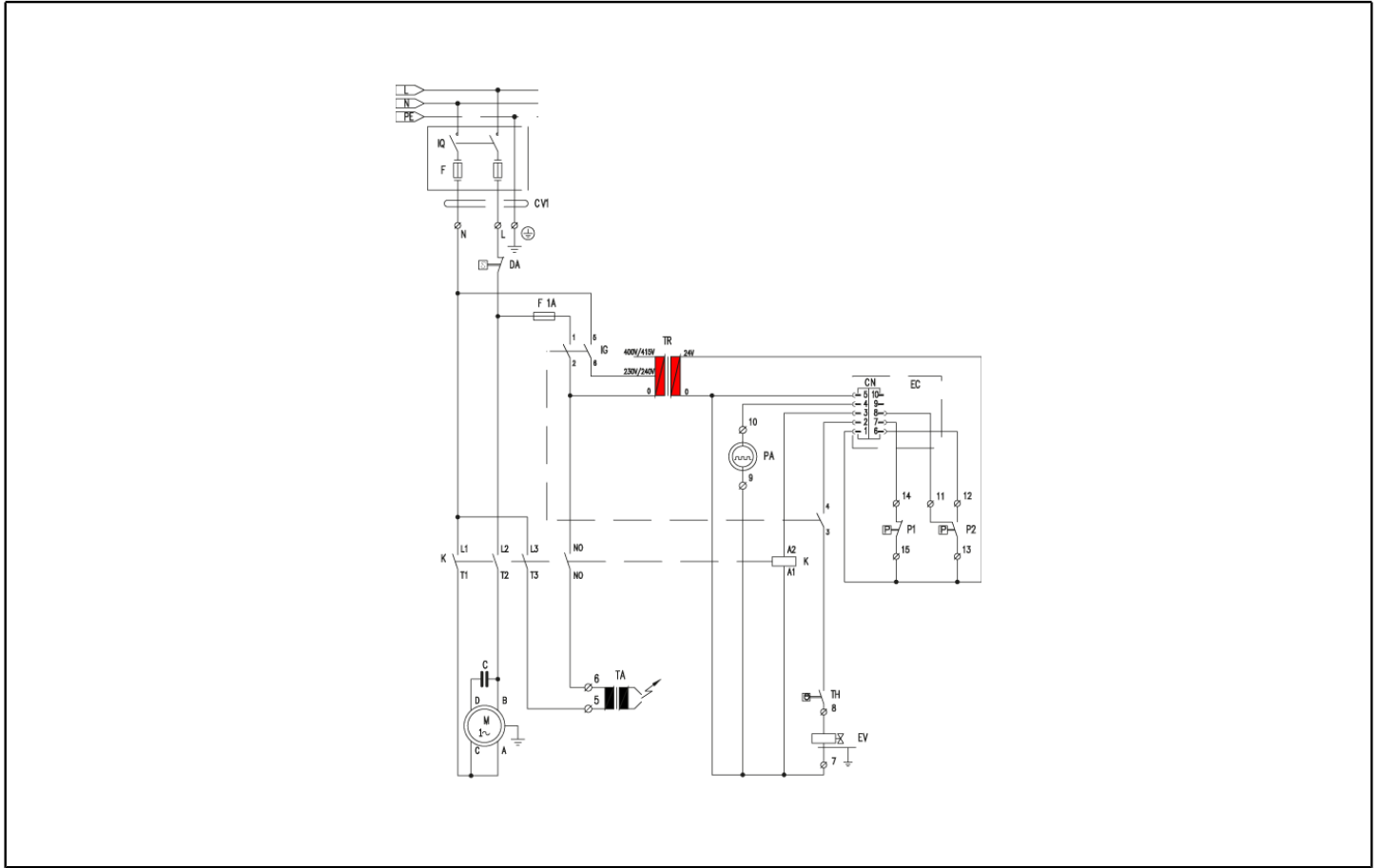
Ref. K	Part n.	Customer part n.	Description	Quantity	Validity		Price
					From	To	
0001	RCDS21120	00021120	RING NUT M 26 X 1,5	2,00			--
0002	GUGO21222	00021222	O-RING D. 15.54 X 2.62 VIT 80SH	2,00			--
0003	GUVR21021	00021021	ANTI-EXTR.RING D. 21 X17 TEF.	2,00			--
0004	LAFN44149	00044149	BOILER BOTTOM P176	1,00	01/02/2013		--
0005	ITTE44175	00044175	BOTTOM P176 C.TE	1,00	01/02/2013		--
0006	LAFN44151	00044151	BAND P176 INX	1,00	01/02/2013		--
0007	LAFN40037		RING D.342 P176 ZN 2V.CPL.	1,00	01/02/2013		--
0008	LAGR44156	00044156	DOUBLE COIL M26X1.5 P176 24MT GRZ	1,00	01/02/2013		--
0009	LASL40101		INT. CYLINDER PM INX	1,00	01/02/2013		--
0010	LAFN40274		EXT. CYLINDER PM-176 INX	1,00	01/02/2013		--
0011	LAFN40269		BOILER COVER SI PM INX	1,00	01/02/2013		--
0012	LAFN40270		BOILER COVER SE PM INX	1,00	01/02/2013		--
0013	LAFN44244	00044244	BAFFLE P176 30M INX	1,00	01/02/2013		--
0014	LAFN40271		PIN CH.10 X 67.7 M5M/M5M PM	3,00	01/02/2013		--
0015	MFVR18226	00018226	ELECTR.HOLDER FUT 3°V	1,00	01/02/2013		--
0016	LAFN07641	00007641	PLATE INX	1,00	01/02/2013		--
0017	MECA12525	00012525	ELECTRODE FUT	1,00	01/02/2013		--
0018	UGBR22575	00022575	BURNER NOZZLE DANF. 1.00 60 S	1,00	01/02/2013		--
0019	RCDS07642	00007642	NOZZLE HOLDER FUT	1,00	01/02/2013		--
0020	MPVR18228	00018228	OIL WARN-LIGHT D.17 X3	1,00	01/02/2013		--
0021	VTAE22633	00022633	SEEGER 0.4 X18,30X10,5	1,00	01/02/2013		--
0022	RCVR72867		CONNECTOR A "T" 1/8" FFM	1,00	01/07/2013	31/10/2013	--
0022	RCVR08954	00008954	ELBOW 1/8"-4 B5	1,00	01/03/2015		--
0022	RCVR89230		CAP G 1/8 M C/O-RING.	1,00	01/07/2013	28/02/2015	--
0023	MECB34463	00034463	CABLE BT L=800 SP. FD	1,00			--
0024	MECV35335	00035335	CABLE A.T. 9,8-23KOHM/M L= 500P	2,00			--
0025	TBCO40041		DIESEL HOSE P176 30MT D. 4 IX	1,00	20/07/2014		--
0025	TBCO46140	00046140	DIESEL HOSE P176 30MT D. 4	1,00		19/07/2014	--



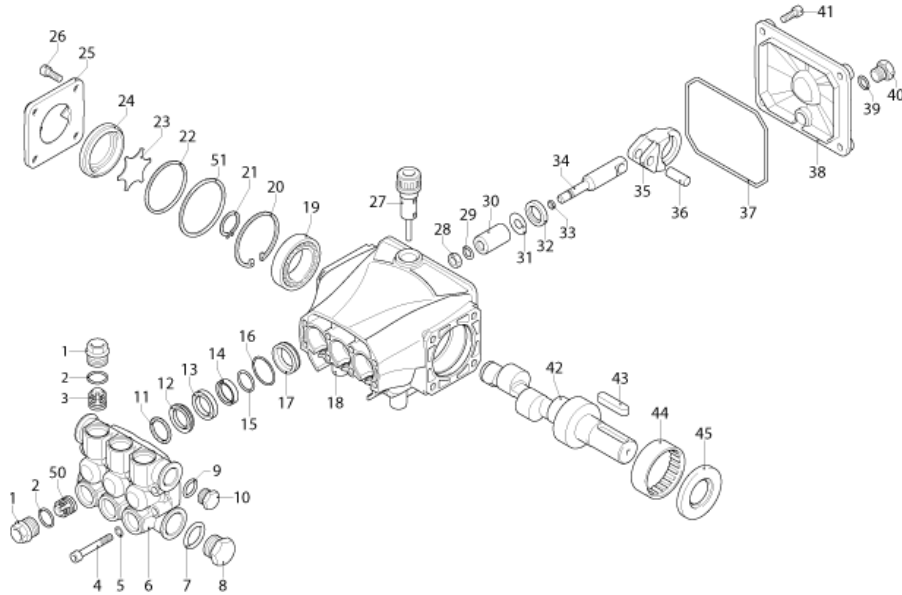
Ref. K	Part n.	Customer part n.	Description	Quantity	Validity		Price
					From	To	
0001	MPVR88426		CONVEYOR P176 PA6 BK.	1,00	01/02/2013		--
0002	GUGO88425		GASKET P245 EPDM	1,00			--
0003	E MPVR45488	00045488	SCROLL BODY P176 PP	1,00			--
0005	VEVR45443	00045443	MOTOR FAN P176 H 100	1,00			--
0006	LAFN45783	00045783	BUSHING D. 30 P176	1,00			--
0007	E MPVR45444	00045444	SEPARATOR P176 ABS	1,00			--
0008	VTVR45002	00045002	BUSHING D. 17-19X19 CPS.	1,00			--
0009	VEVR88781		IMPELLER P176 D.240 43P. 2V. PA6	1,00			--
0010	E MPVR45489	00045489	VENTILATOR COV. P176 ABS	1,00			--
0011	E MPVR45445	00045445	BUTTERFLY VALVE P176 PP	1,00			--
0012	E VTVR20127	00020127	CLIP KSM	8,00			--
0013	FGGT36513	00036513	JOINT HP 0.25 AACO	1,00			--
0014	PPGS40004		FUEL PUMP DNF BFA 01R5L1	1,00			--
0015	RCDS00626	00000626	HOSE FITTING 1/4 M D. 5- 7	1,00			--
0016	FSVR00427	00000427	CLAMP D. 12 CLIC 66-110	2,00			--
0017	TBCO06945	00006945	L.P. HOSE D. 6-12 10BAR C.PRESS	0,20			--
0017	TBCO06945	00006945	L.P. HOSE D. 6-12 10BAR C.PRESS	0,80			--
0018	FSVR11197	00011197	CLAMP D.I. 11 13315	2,00			--
0019	FTCO34840	00034840	FUEL FILTER FB 7/A NYL.	1,00		07/04/2010	--
0019	FTCO40003		FUEL FILTER FB 7/TA 60mc NYL.	1,00	08/04/2010	24/02/2016	--
0019	FTCO40004		FUEL FILTER FB 7/T 60mc NYL.	1,00	25/02/2016		--
0020	RCDS46087	00046087	SUCTION L=400 CPL	1,00			--
0021	VTRS04931	00004931	WASHER COPPER D.13X19X1.5	1,00			--
0022	RCVR14014	00014014	BI-CONE CONNEC. DTT 1/8" M B1 D. 2/ 4 NIK	1,00			--
0024	MECB46130	00046130	CABLE DLT L=1100	1,00			--
0025	RCVR34780	00034780	ELBOW 1/8" M/F A10	1,00	01/03/2015		--
0026	RCVR89230		CAP G 1/8 M C/O-RING.	1,00	01/03/2015		--



Ref. Part n.	Cust. part n.	Description	Reference	Price
KTRI40032		KIT PX 2- 6 VENT.P176	0003 0007 0010 0011 0012	--



Ref. K	Part n.	Customer part n.	Description	Quantity	Validity		Price
					From	To	
C	MECO88053	00088053	CAPACITOR 70 MF 550V C. 50 D.65X115	1,00			--
F	MEVR02824	00002824	FUSE 5X20 1A	1,00			--
K	METT40010		CONTACTOR SIE 3RT 2017-1AB01 24V	1,00	01/10/2014		--
K	METT43990	00043990	CONTACTOR SIE 3RT 1017 1AB01 5/60HZ	1,00		30/09/2014	--
DA	METT18986	00018986	GROUND PROTECT. WEBER T11-211 15A	1,00			--
EC	MECE48580	00048580	PCB P190 T-ST/MP V.PLUS	1,00			--
EV	MEBE43704	00043704	COIL DNF 24-50	1,00			--
IG	MECI40017		COMMUTAT.SWITCH 0-1-2 UN.	1,00	15/01/2011		--
IG	MECI40544	00040544	COMMUTAT.SWITCH 0-1-2 HD12H022-R000	1,00		14/01/2011	--
P1	MEPF40009		PRESSURE SWITCH PR 5 3/8M 25BAR	1,00	01/09/2012		--
P1	MEPF45229	00045229	PRESSURE SWITCH MTM 3/8M NA/NC 25B. MICR	1,00		31/08/2012	--
P2	MEPF39902	00039902	PRESSURE SWITCH MTM 1/4M NA/NC 25B. MICRO	1,00		31/08/2012	--
P2	MEPF76254	00076254	PRESSURE SWITCH PR 5 1/4M 25BAR	1,00	01/09/2012		--
PA	MEPD45940	00045940	DESCALING PUMP NME 1 24V 50/60HZ	1,00			--
TA	METR88630		TRANSFORMER 23/240V-5/60HZ 2X26KV TR.	1,00			--
TH	METK19354	00019354	THERMOSTAT 0-150° L=1500	1,00		14/12/2010	--
TH	METK40006		THERMOSTAT 0-150° L=1500 S&R	1,00	15/12/2010	31/12/2012	--
TH	METK40011		THERMOSTAT 0-150° L=1500 F&C	1,00	01/01/2013		--
TR	METR40003		TRANSFORMER 35VA 230-400/24 5/60HZ PM	1,00			--
CV1	MECB10519	00010519	CABLE H07 RNF 3X2.5 L=6.500	1,00			--



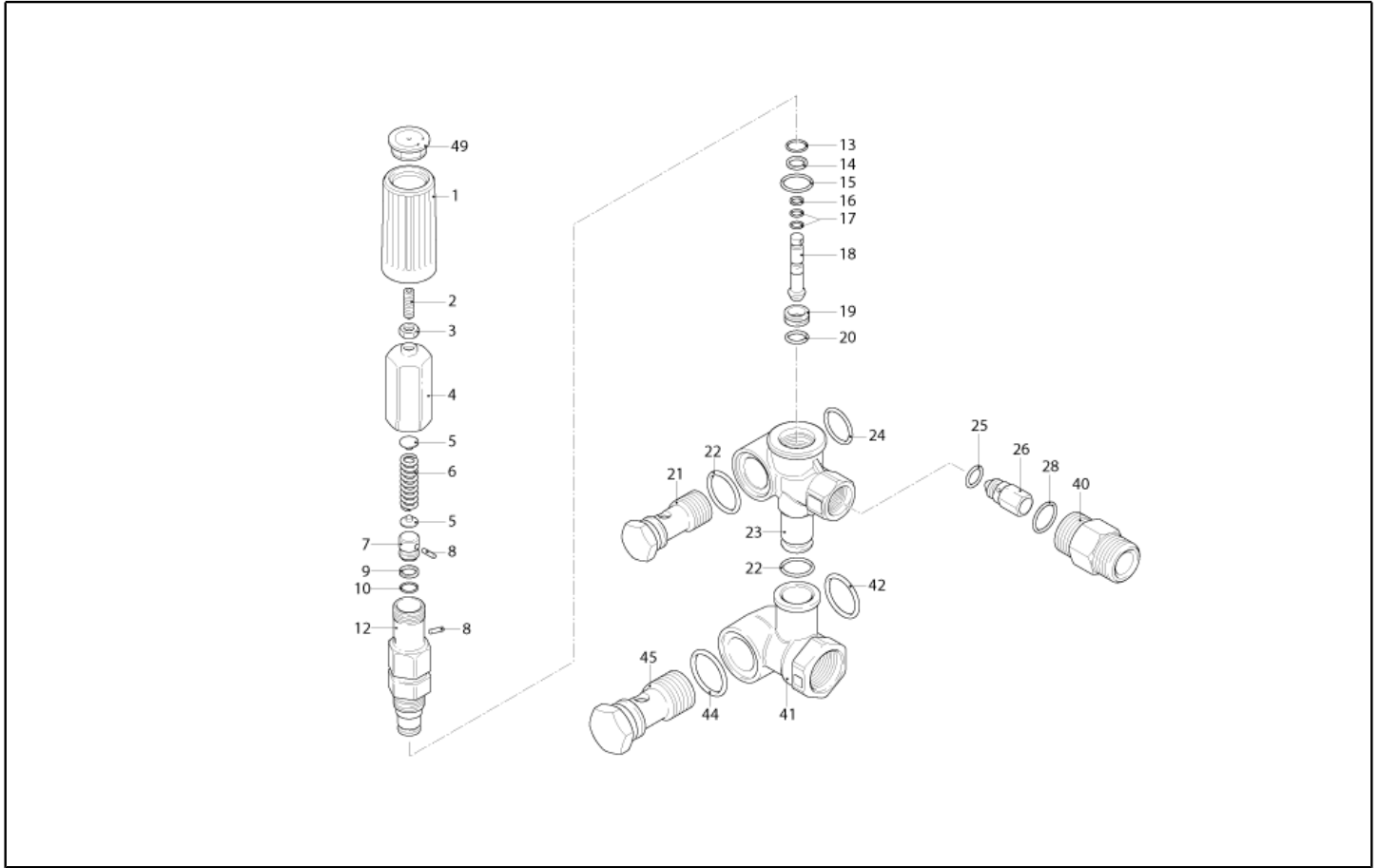
Ref. K	Part n.	Customer part n.	Description	Quantity	Validity		Price
					From	To	
0001	PVVR40120		CAP AR RC	6,00			--
0002	GUGO03505	00003505	O-RING D. 15.6 X 1.78 NBR 70SH	6,00			--
0003	S VVAM40002		VALVE UNIT RC	6,00		31/07/2012	--
0003	S VVAM40002		VALVE UNIT RC	3,00	01/08/2012		--
0004	VTVT06236	00006236	SCREW TCCE UNI 5931 6X40 ZB	8,00			--
0005	VTRS01077	00001077	WASHER D. 6.4X10X0,7	8,00			--
0006	MFVR40019		HEAD AR RC OT.	1,00			--
0007	GUGO19245	00019245	O-RING D. 17.5 X 2 NBR 70SH	1,00			--
0008	PVVR40121		CAP 1/2 M RC	1,00			--
0009	GUGO09720	00009720	O-RING D. 14 X 1.78 NBR 70SH	1,00			--
0010	PVVR40099		CAP 3/8 M HRM	1,00			--
0011	S PVVR40122		HEAD RING D. 18 RC	3,00			--
0012	S GUVR40035		PACKING D. 18 RC H.P.	3,00			--
0013	PVVR40123		INTERMED. RING D. 18 RC	3,00			--
0014	S GUVR40036		PACKING D. 18 RC L.P.	3,00			--
0015	S GUVR40037		ANTI-EXTR.RING D.21	3,00			--
0016	S GUGO19290	00019290	O-RING D. 23.52 X 1.78 NBR 70SH	3,00		31/03/2014	--
0016	S GUGO08182	00008182	O-RING D. 21.91 X 1.78 NBR 70SH	3,00	01/04/2014		--
0017	PVVR40124		PACKING RETAIN. D. 18 RC	3,00			--
0018	MFVR40020		PUMP CRANKCASE AR RC	1,00		31/03/2014	--
0018	MFVR40027		PUMP CRANKCASE AR RCS	1,00	01/04/2014		--
0019	CUVR28336	00028336	BALL BEARING 6304	1,00			--
0020	VTAE32478	00032478	CIRCLIP D. 32 UNI 7437	1,00			--
0021	VTAE06193	00006193	CIRCLIP D. 20 UNI 7435	1,00			--
0022	GUGO02561	00002561	O-RING D. 47.3 X 2.62 NBR 70SH	1,00			--
0023	PVVR40125		DISC RC	1,00			--
0024	PVVR40126		OIL INDICATOR RC	1,00			--
0025	MFVR40021		CRANKASE COVER AR RC LT.	1,00			--
0026	VTVT01531	00001531	SCREW TE 6X 16 UNI 5739	4,00			--
0027	PVVR19231	00019231	OIL CAP XTS	1,00		31/03/2014	--
0027	PVVR40436		OIL CAP RC	1,00	01/04/2014		--
0028	VTDD00483	00000483	NUT M 8 ZIN UNI 5588	3,00			--
0029	VTRS19394	00019394	WASHER D. 8X13X0,5	8,00			--
0030	S PIVR40005		PISTON D.18X30 RC	3,00			--
0031	PVVR19233	00019233	DISC XTS	3,00			--
0032	S GUGO09690	00009690	OIL SEAL 15X 24X 5 NBR70	3,00			--
0033	GUGO08071	00008071	O-RING D. 4.48 X 1.78 NBR 70SH	3,00			--
0034	PVVR40127		PISTON GUIDE RC	3,00			--
0035	BLVR40001		CONNECTING ROD RC	3,00			--
0036	PVVR40128		GUDGEON D. 9X23 RC	3,00			--
0037	GUGO18695	00018695	O-RING D. 101.27 X 2.62 NBR 70SH	1,00			--
0038	MFVR40022		CRANKASE COVER AR RC	1,00			--
0039	GUGO01036	00001036	O-RING D. 10.82 X 1.78 NBR 70SH	1,00			--
0040	PVVR40129		CAP 1/4 M RC	1,00			--



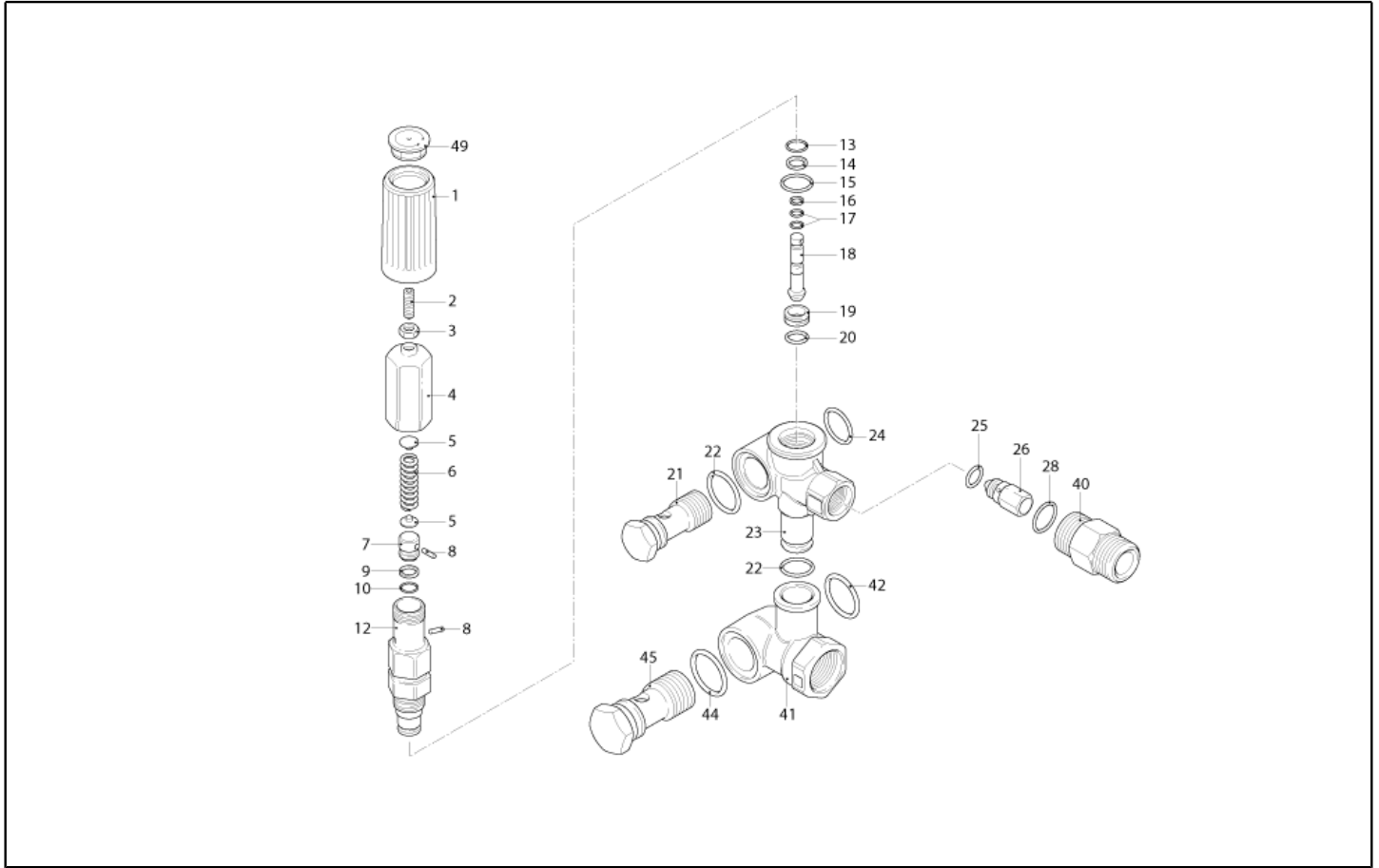
Ref. K	Part n.	Customer part n.	Description	Quantity	Validity		Price
					From	To	
0041	VTVT09913	00009913	SCREW TCEI 6X16 UNI5931	4,00			--
0042	ALMO40007		SHAFT AR RC 10LT VRS. N	1,00			--
0043	VTVR41531	00041531	KEY 8X 7X35 UNI 6604A	1,00			--
0044	CUVR23636	00023636	ROLLER BEARING HK 4516	1,00			--
0045	S GUGO00999	00000999	OIL SEAL 25X 52X 7 NBR70	1,00			--
0050	S VVAM40007		VALVE UNIT RC ASP. BK	3,00	01/08/2012		--
0051	PVVR40437		RING D. 51.8 X0.5	1,00	01/04/2014		--



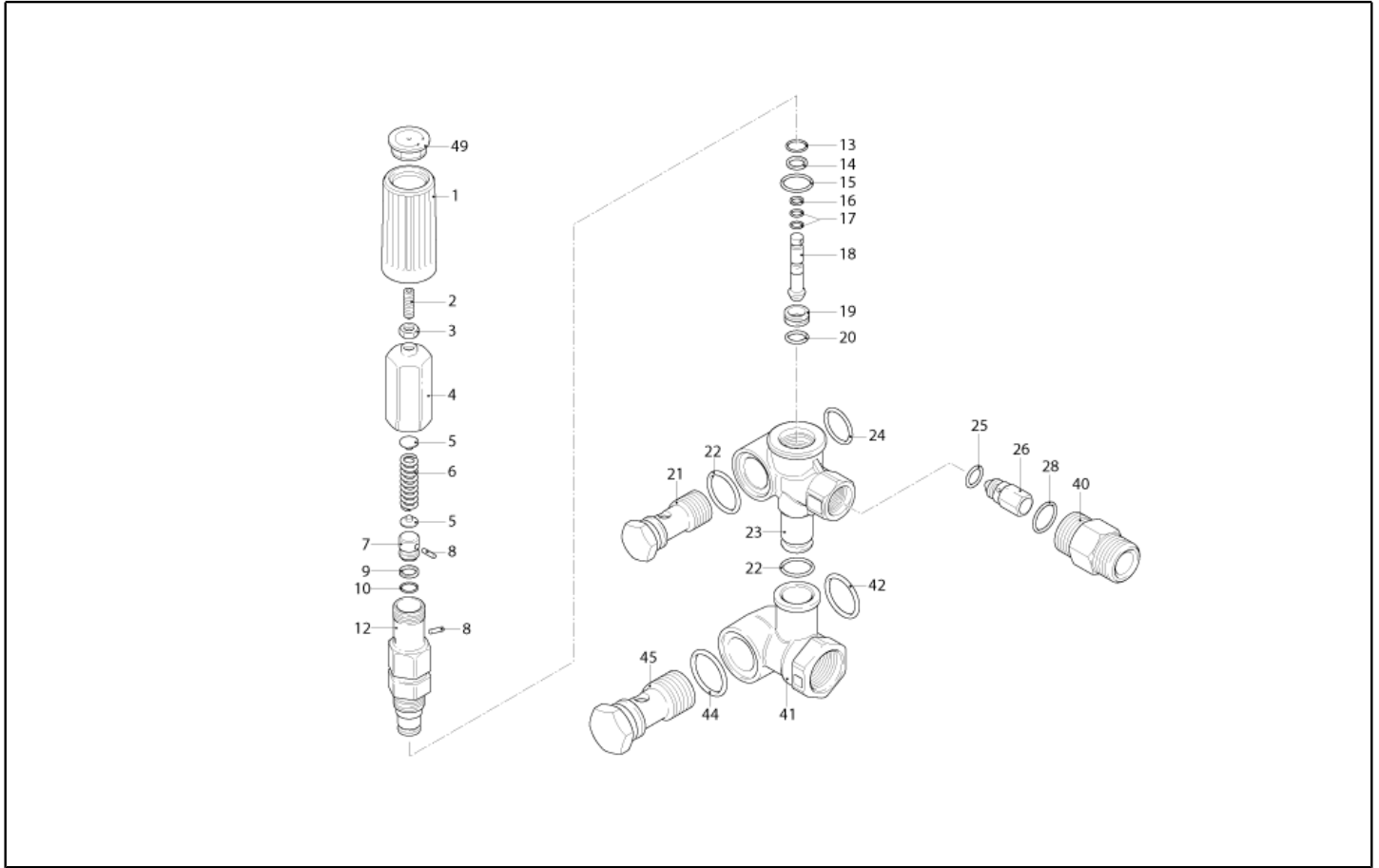
Ref. Part n.	Cust. part n.	Description	Reference	Price
KTRI40092		KIT P 15-2186 RC	0003	--
KTRI40093		KIT P 15-42917 RC	0030	--
KTRI40094		KIT P 15-42919 D.18 RC	0012 0014 0015 0016	--
KTRI40095		KIT P 15-42903 D.18 RC	0011	--
KTRI40096		KIT P 15-42918 RC	0032 0045	--
KTRI40207		KIT P 15-42914 RC 3+3 BL./WH.	0003 0050	--



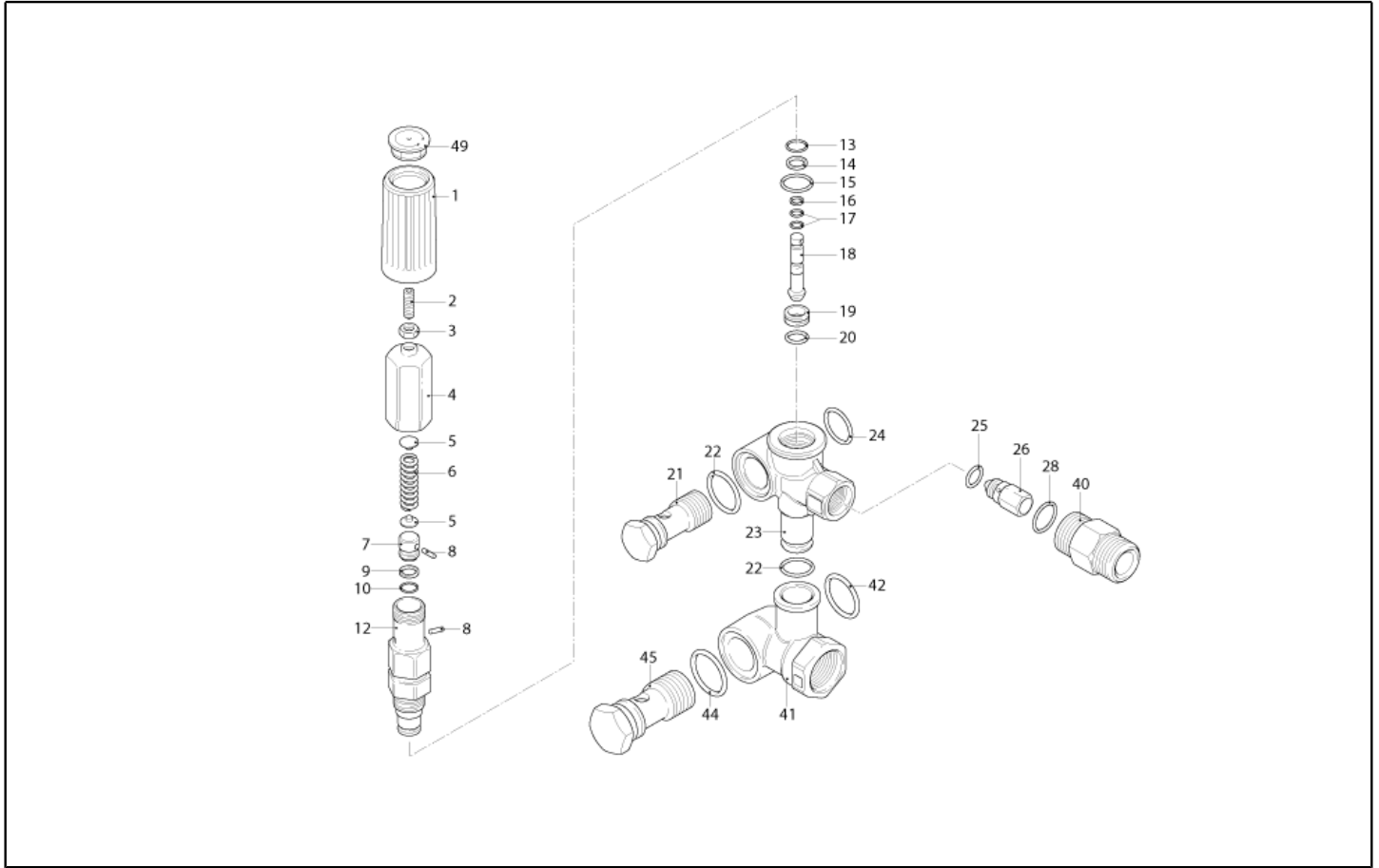
Ref. K	Part n.	Customer part n.	Description	Quantity	Validity		Price
					From	To	
0001	MPVR40162		KNOB AR XJS	1,00			--
0002	VTVT20261	00020261	SCREW EI-ST 6X20 UNI5923	1,00			--
0003	VTDD00482	00000482	NUT M 6 ZIN UNI 5588	1,00			--
0004	PVVR40066		REGISTER AR XJS	1,00			--
0005	PVVR40067		SPRING PLATE AR XJS	2,00			--
0006	MLML40007		SPRING D. 10.8X48.9 D.2.8 XJS	1,00			--
0007	S PVVR19187	00019187	PISTON COMBISET	1,00			--
0008	S VTVR19193	00019193	PLUG D. 2.5X10	2,00			--
0009	S GUVR40026		ANTI-EXTR.RING D. 8	1,00			--
0010	S GUGO06988	00006988	O-RING D. 7.66 X 1.78 NBR 70SH	1,00			--
0012	S PVVR40069		PISTON GUIDE AR XJS	1,00			--
0013	S GUGO09720	00009720	O-RING D. 14 X 1.78 NBR 70SH	1,00			--
0014	S GUGO12490	00012490	O-RING D. 8.74 X 1.78 NBR 70SH	1,00			--
0015	S GUGO02259	00002259	O-RING D. 15.54 X 2.62 NBR 70SH	1,00			--
0016	S GUVR40027		ANTI-EXTR.RING D. 3.7	1,00			--
0017	S GUGO19189	00019189	O-RING D. 2.90 X 1.78 NBR 70SH	2,00			--
0018	S PVVR40070		CONTROL PISTON AR XJS IF.	1,00			--
0019	S PVVR40071		VALVE SEAT AR XJS	1,00			--
0020	S GUGO41692	00041692	O-RING D. 9 X 1 NBR 70SH	1,00			--
0021	RCDS40068		SCREW G 3/8 M.MATIC 4/B OT.	1,00			--
0022	GUGO01047	00001047	O-RING D. 11.91 X 2.62 NBR 70SH	2,00			--
0023	PVVR40130		VALVE BODY M.MATIC 4/B	1,00			--
0024	GUGO19395	00019395	O-RING D. 20.24 X 2.62 NBR 70SH	1,00			--
0025	GUGO12494	00012494	O-RING D. 4 X 2.5 -NBR 70SH	1,00			--
0026	PVVR40074		COUPLING N.RIT. XJS	1,00			--
0028	GUGO11652	00011652	O-RING D. 12.42 X 1.78 NBR 70SH	1,00			--
0040	RCDS40069		NIPPLE G 3/8 M.MATIC 4/B	1,00			--
0041	PVVR40131		CONNECTOR M.MATIC 4/B	1,00			--
0042	GUGO76542	00076542	O-RING D. 23.47 X 2.62 NBR 70SH	1,00			--
0044	GUGO01058	00001058	O-RING D. 17.17 X 1.78 NBR 70SH	1,00			--
0045	RCDS40070		SCREW G 1/2 M.MATIC 4/B	1,00			--
0049	MPVR40163		CAP AR XJS	1,00			--



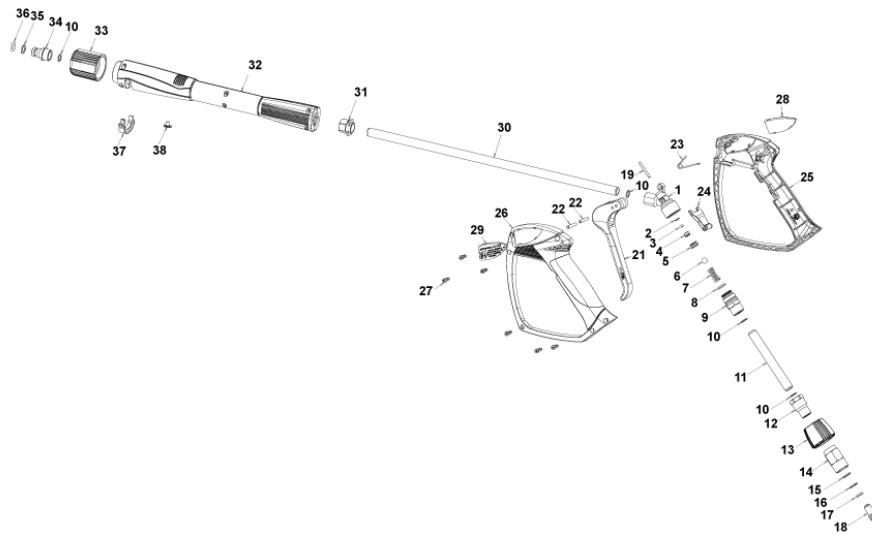
Ref. Part n.	Cust. part n.	Description	Reference	Price
KTRI40127		KIT P 14-100 M.MATIC 4/B	0007 0008 0009 0010 0012 0013 0014 0015 0016 0017 0018 0019 0020	--



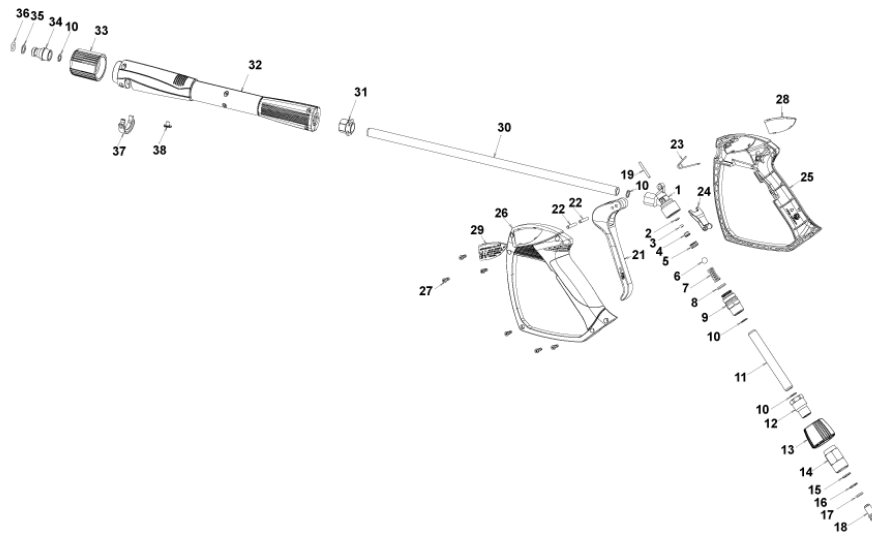
Ref. K	Part n.	Customer part n.	Description	Quantity	Validity		Price
					From	To	
0001	MPVR40162		KNOB AR XJS	1,00			--
0002	VTVT20261	00020261	SCREW EI-ST 6X20 UNI5923	1,00			--
0003	VTDD00482	00000482	NUT M 6 ZIN UNI 5588	1,00			--
0004	PVVR40066		REGISTER AR XJS	1,00			--
0005	PVVR40067		SPRING PLATE AR XJS	2,00			--
0006	MLML40007		SPRING D. 10.8X48.9 D.2.8 XJS	1,00			--
0007	S PVVR40068		SMALL PISTON AR XJS SP.	1,00			--
0008	S VTVR19193	00019193	PLUG D. 2.5X10	2,00			--
0009	S GUVR40026		ANTI-EXTR.RING D. 8	1,00			--
0010	S GUGO40179	00040179	O-RING D. 8 X 2 NBR 70SH	1,00			--
0012	S PVVR40385		PISTON GUIDE AR XJS 2V.	1,00			--
0013	S GUGO09720	00009720	O-RING D. 14 X 1.78 NBR 70SH	1,00			--
0014	S GUGO12490	00012490	O-RING D. 8.74 X 1.78 NBR 70SH	1,00			--
0015	S GUGO02259	00002259	O-RING D. 15.54 X 2.62 NBR 70SH	1,00			--
0016	S GUVR40027		ANTI-EXTR.RING D. 3.7	1,00			--
0017	S GUGO19189	00019189	O-RING D. 2.90 X 1.78 NBR 70SH	2,00			--
0018	S PVVR40070		CONTROL PISTON AR XJS IF.	1,00			--
0019	S PVVR40071		VALVE SEAT AR XJS	1,00			--
0020	S GUGO41692	00041692	O-RING D. 9 X 1 NBR 70SH	1,00			--
0021	RCDS40068		SCREW G 3/8 M.MATIC 4/B OT.	1,00			--
0022	GUGO01047	00001047	O-RING D. 11.91 X 2.62 NBR 70SH	2,00			--
0023	PVVR40130		VALVE BODY M.MATIC 4/B	1,00			--
0024	GUGO19395	00019395	O-RING D. 20.24 X 2.62 NBR 70SH	1,00			--
0025	S GUGO12494	00012494	O-RING D. 4 X 2.5 -NBR 70SH	1,00			--
0026	S PVVR40074		COUPLING N.RIT. XJS	1,00			--
0028	S GUGO11652	00011652	O-RING D. 12.42 X 1.78 NBR 70SH	1,00			--
0040	RCDS40069		NIPPLE G 3/8 M.MATIC 4/B	1,00			--
0041	PVVR40131		CONNECTOR M.MATIC 4/B	1,00			--
0042	GUGO76542	00076542	O-RING D. 23.47 X 2.62 NBR 70SH	1,00			--
0044	GUGO01058	00001058	O-RING D. 17.17 X 1.78 NBR 70SH	1,00			--
0045	RCDS40070		SCREW G 1/2 M.MATIC 4/B	1,00			--
0049	MPVR40163		CAP AR XJS	1,00			--



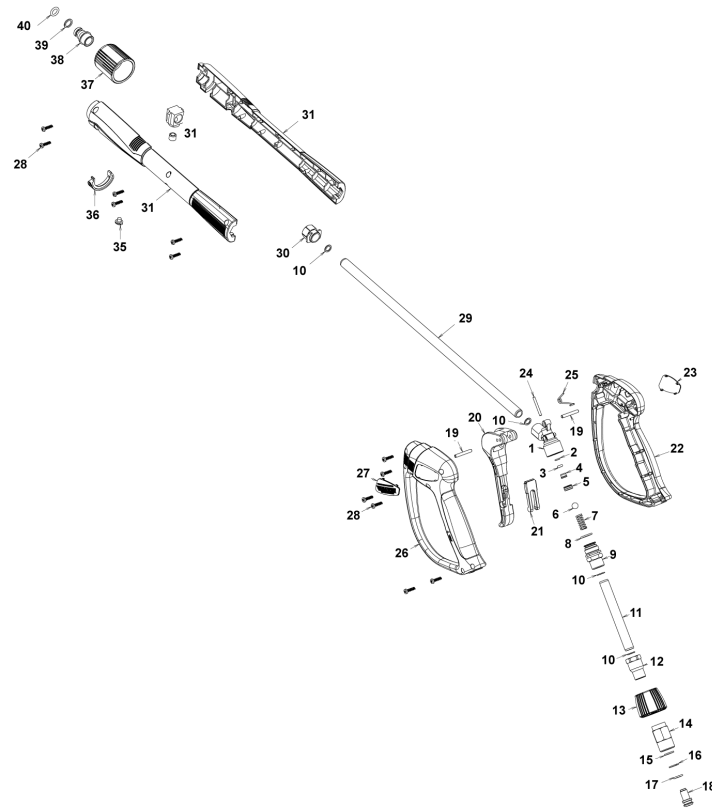
Ref. Part n.	Cust. part n.	Description	Reference	Price
KTRI40127		KIT P 14-100 M.MATIC 4/B	0007 0008 0009 0010 0012 0013 0014 0015 0016 0017 0018 0019 0020	--
KTRI40128		KIT P 14-101 M.MATIC 4/B CK.V.	0025 0026 0028	--



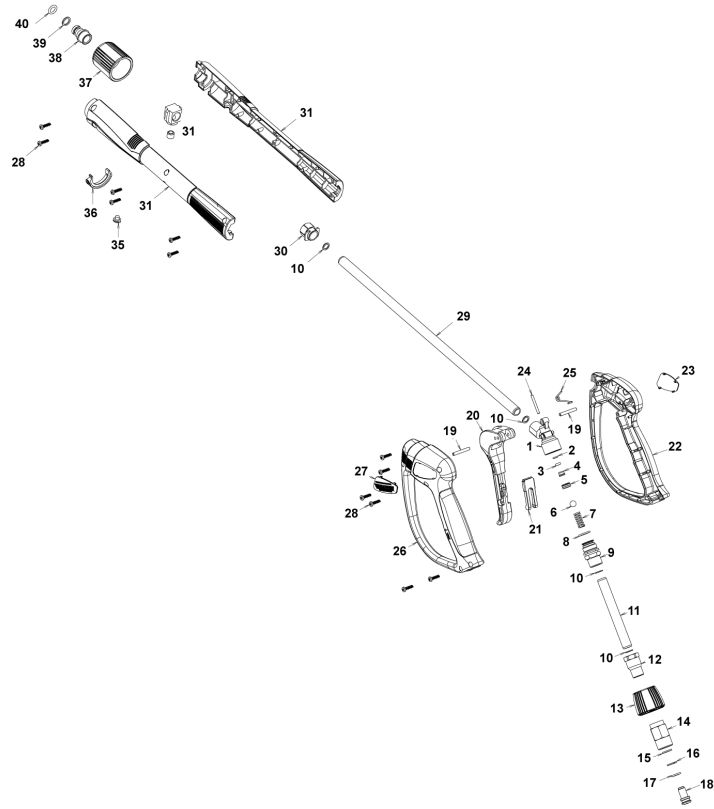
Ref. K	Part n.	Customer part n.	Description	Quantity	Validity		Price
					From	To	
0001	PVVR40381		GUN BODY G 5100 G1/4F	1,00			--
0002	S GUVR40074		ANTI-EXTR.RING D. 3 X 7.4X1.3	1,00			--
0003	S GUGO21835	00021835	O-RING D. 2.84 X 2.62 VIT. 80SH	1,00			--
0004	PVVR40382		PISTON GUIDE G 5100	1,00			--
0005	S PVVR40112		BALL SEAT G 5000	1,00			--
0006	S SFVR27026	00027026	BALL D.11/32" INX	1,00			--
0007	MLML40016		SPRING D. 9.4 x21.5x1.6 G5000	1,00			--
0008	GUGO12322	00012322	O-RING D. 14 X 1.78 NBR 90SH	1,00			--
0009	PVVR40383		CONNECTOR COLL.G5100 1/4F	1,00			--
0010	VTRS40017		WASHER D. 8.2X11,4X1.00	4,00			--
0011	PVVR40384		TUBE G 1/4" L.105	1,00			--
0012	RCIN40022		CONNECTOR SWIV G5100 1/4F	1,00			--
0013	MPVR40486		RING NUT G 5100 SW. GR.	1,00			--
0014	RCIN40021		JOINT SWIV 5100 M22	1,00			--
0015	S GUVR40075		ANTI-EXTR.RING D. 10 X14X1.5	1,00			--
0016	S GUVR40076		ANTI-EXTR.RING D. 11.2X14X1.2	1,00			--
0017	S GUGO15295	00015295	O-RING D. 10.82 X 1.78 VIT 80SH	1,00			--
0018	PVVR40386		SCREW SW. G 5100	1,00			--
0019	PVVR40387		SMALL PISTON G 5100	1,00			--
0021	MPVR40487		TRIGGER G 5100-SW	1,00			--
0022	VTVR40047		PLUG D. 4X29	2,00			--
0023	MLML40029		SPRING G 5100	1,00			--
0024	MPVR40488		SAFETY-DEVICE G 5100-SW	1,00			--
0025	MPVR40489		SHELL G 5100-SW DX	1,00			--
0026	MPVR40490		SHELL G 5100-SW SX	1,00			--
0027	VTVT40043		SCREW AF 4X 14 HILO ZN.N	6,00			--
0028	MPVR40491		PLATE G 5100 GR.DX	1,00			--
0029	MPVR40492		PLATE G 5100 GR.SX	1,00			--
0030	LCPR40086		TUBE 1/4 L=420 ZC. 0°	1,00			--
0031	MPVR40493		CONNECTOR G 5100-SW	1,00			--
0032	MPVR40494		PROTECTION P 420 C/AN.	1,00			--
0033	PVVR40119		CONNECTION M22X1.5 IRV G5000	1,00			--
0034	RCIN40009		GUDGEON G 1/4 F IRV G5000	1,00			--
0035	GUVR40034		ANTI-EXTR.RING D. 10 X14	1,00			--
0036	GUGO01946	00001946	O-RING D. 9.13 X 2.62 VIT 70SH	1,00			--
0037	MPVR40495		CAP G 5100 REM.	1,00			--
0038	MPVR40198		CAP G 5000	1,00			--



Ref. Part n.	Cust. part n.	Description	Reference	Price
KTRI40242		KIT P 26- 25 G 5100	0002 0003 0005 0006	--
KTRI40243		KIT P 26- 26 SWIVEL G 5100	0015 0016 0017	--



Ref. K	Part n.	Customer part n.	Description	Quantity	Validity		Price
					From	To	
0001	PVVR40381		GUN BODY G 5100 G1/4F	1,00			--
0002	S	GUVR40074	ANTI-EXTR.RING D. 3 X 7.4X1.3	1,00			--
0003	S	GUGO21835	00021835 O-RING D. 2.84 X 2.62 VIT. 80SH	1,00			--
0004	PVVR40382		PISTON GUIDE G 5100	1,00			--
0005	S	PVVR40112	BALL SEAT G 5000	1,00			--
0006	S	SFVR40002	BALL D.11/32" ALL GR16	1,00			--
0007	MLML40016		SPRING D. 9.4 x21.5x1.6 G5000	1,00			--
0008	GUGO12322	00012322	O-RING D. 14 X 1.78 NBR 90SH	1,00			--
0009	PVVR40383		CONNECTOR COLL.G5100 1/4F	1,00			--
0010	VTRS40017		WASHER D. 8.2X11,4X1.00	4,00			--
0011	PVVR40384		TUBE G 1/4" L.105	1,00			--
0012	RCIN40022		CONNECTOR SWIV G5100 1/4F	1,00			--
0013	MPVR40819		RING NUT G 5100 SW. BK.	1,00			--
0014	RCIN40021		JOINT SWIV 5100 M22	1,00			--
0015	S	GUVR40075	ANTI-EXTR.RING D. 10 X14X1.5	1,00			--
0016	S	GUVR40076	ANTI-EXTR.RING D. 11.2X14X1.2	1,00			--
0017	S	GUGO15295	00015295 O-RING D. 10.82 X 1.78 VIT 80SH	1,00			--
0018	PVVR40386		SCREW SW. G 5100	1,00			--
0019	VTVR40047		PLUG D. 4X29	2,00			--
0020	MPVR40820		TRIGGER G 6000-SW	1,00			--
0021	MPVR40821		SAFETY-DEVICE G 6000-SW	1,00			--
0022	MPVR40822		SHELL G 6000-SW DX	1,00			--
0023	MPVR40823		PLATE G 6000 GR.DX	1,00			--
0024	PVVR40387		SMALL PISTON G 5100	1,00			--
0025	MLML40029		SPRING G 5100	1,00			--
0026	MPVR40824		SHELL G 6000-SW SX	1,00			--
0027	MPVR40825		PLATE G 6000 GR.SX	1,00			--
0028	VTVT40043		SCREW AF 4X 14 HILO ZN.N	12,00			--
0029	LCPR40086		TUBE 1/4 L=420 ZC. 0°	1,00			--
0030	MPVR40493		CONNECTOR G 5100-SW	1,00			--
0031	MPVR40494		PROTECTION P 420 C/AN.	1,00			--
0035	MPVR40198		CAP G 5000	1,00			--
0036	MPVR40495		CAP G 5100 REM.	1,00			--
0037	PVVR40119		CONNECTION M22X1,5 IRV G5000	1,00			--
0038	RCIN40009		GUDGEON G 1/4 F IRV G5000	1,00			--
0039	GUVR40034		ANTI-EXTR.RING D. 10 X14	1,00			--
0040	GUGO01946	00001946	O-RING D. 9.13 X 2.62 VIT 70SH	1,00			--



Ref. Part n.	Cust. part n.	Description	Reference	Price
KTRI40243		KIT P 26- 26 SWIVEL G 5100	0015 0016 0017	--
KTRI40414		KIT P 26- 34 G 6000	0002 0003 0005 0006	--