

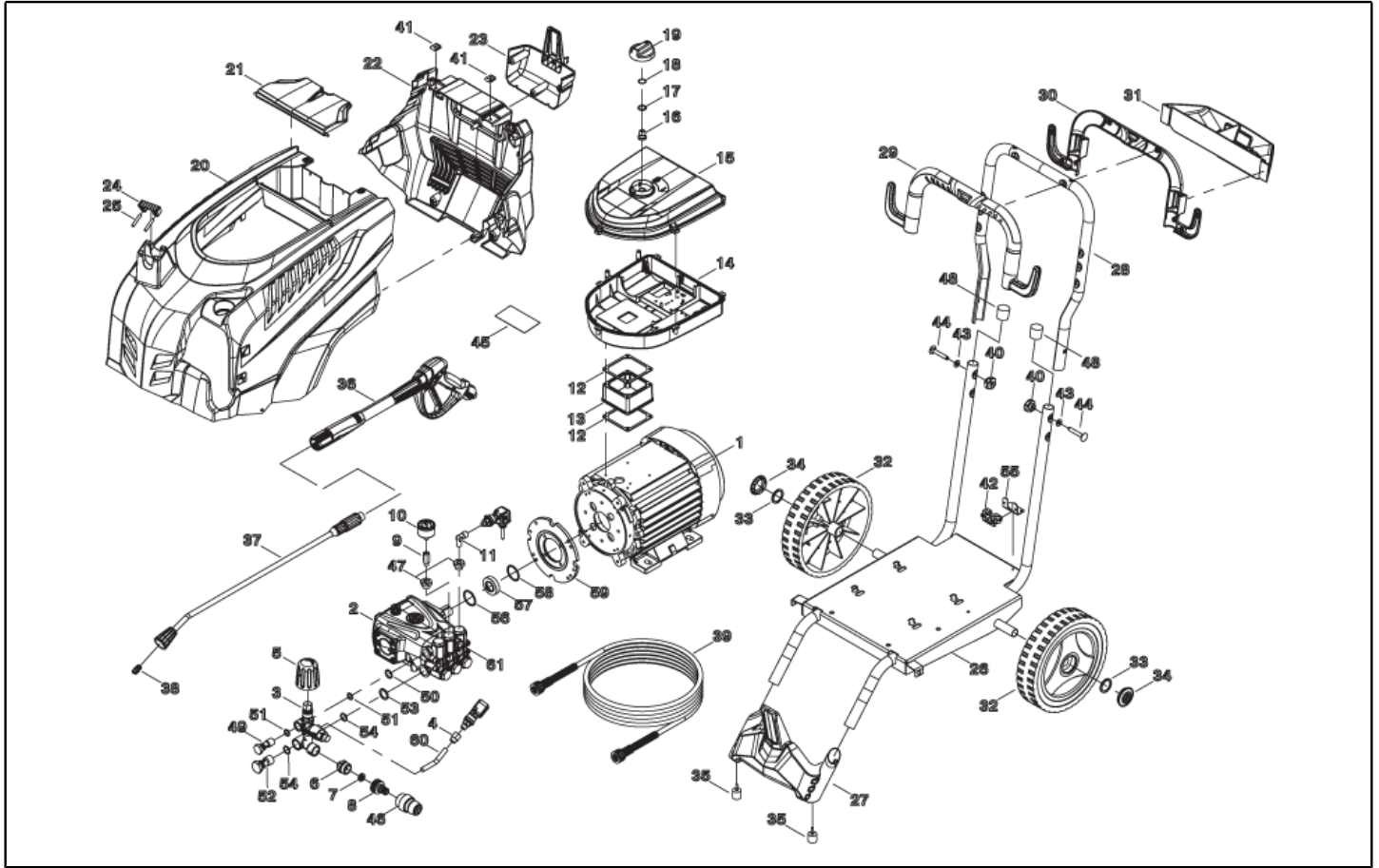


**IPC**

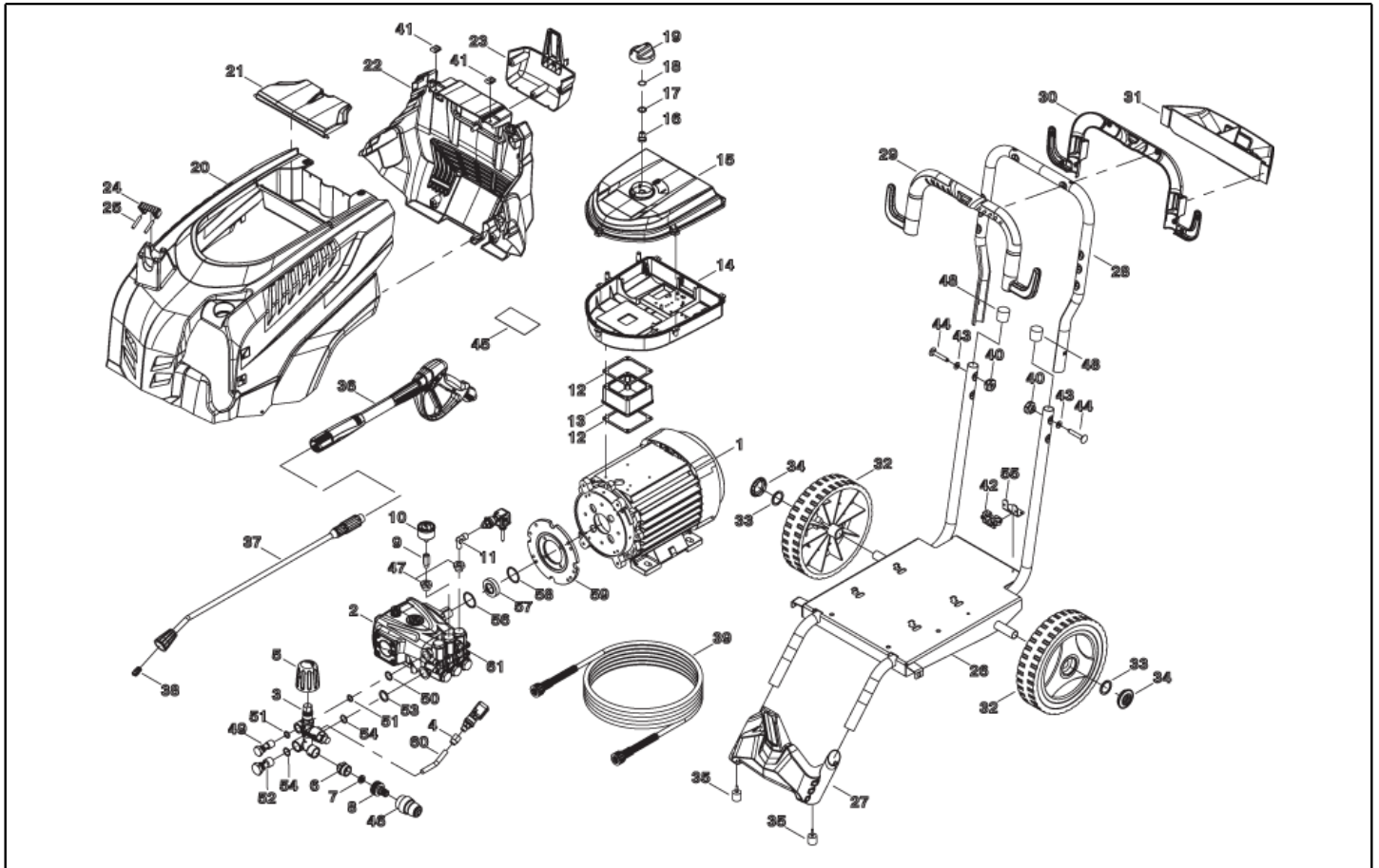
**Spare parts list**

Ref: IDAF40922

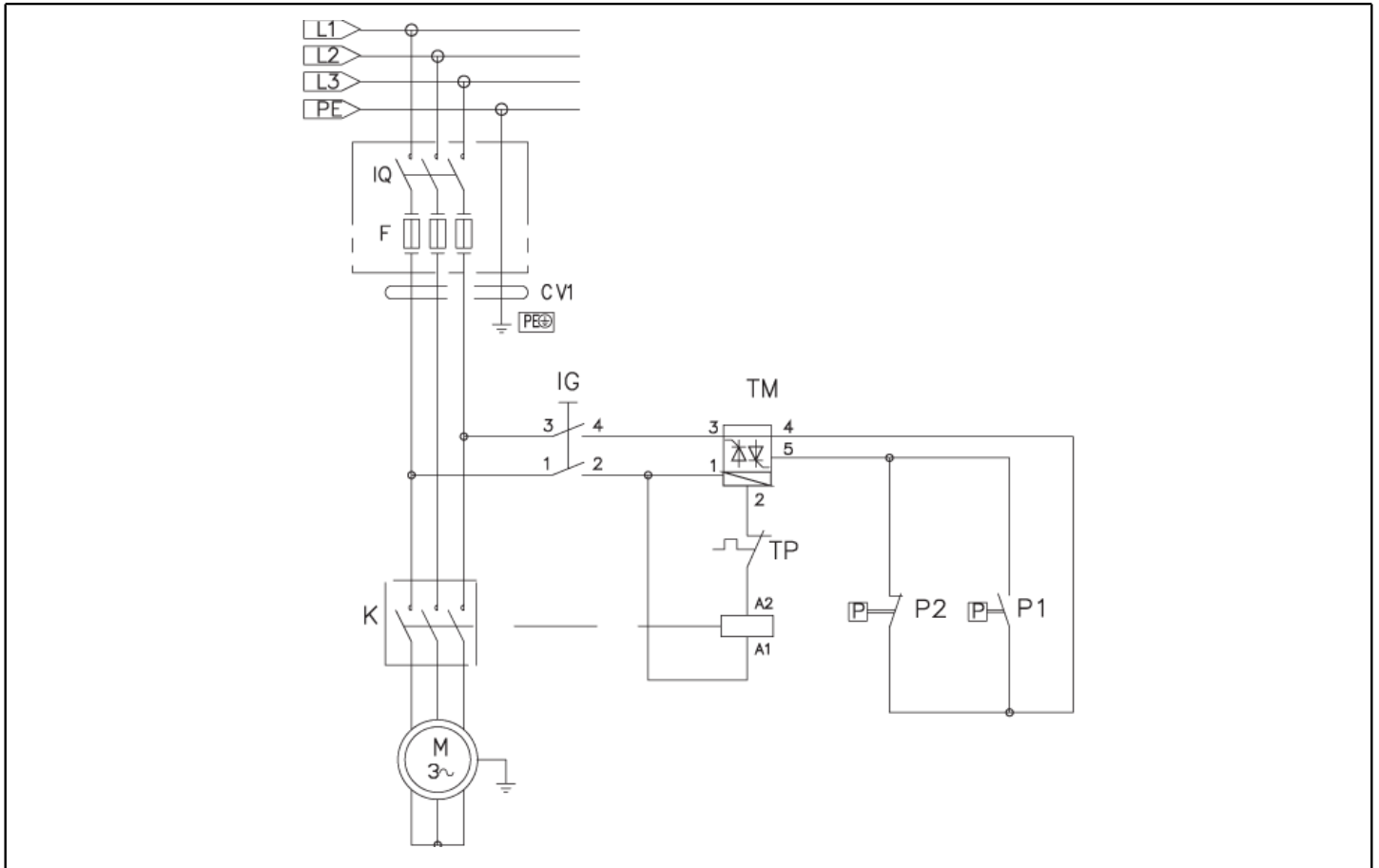
Model: H.P. CLEANER PW-C55 D2117P T400/50IPC



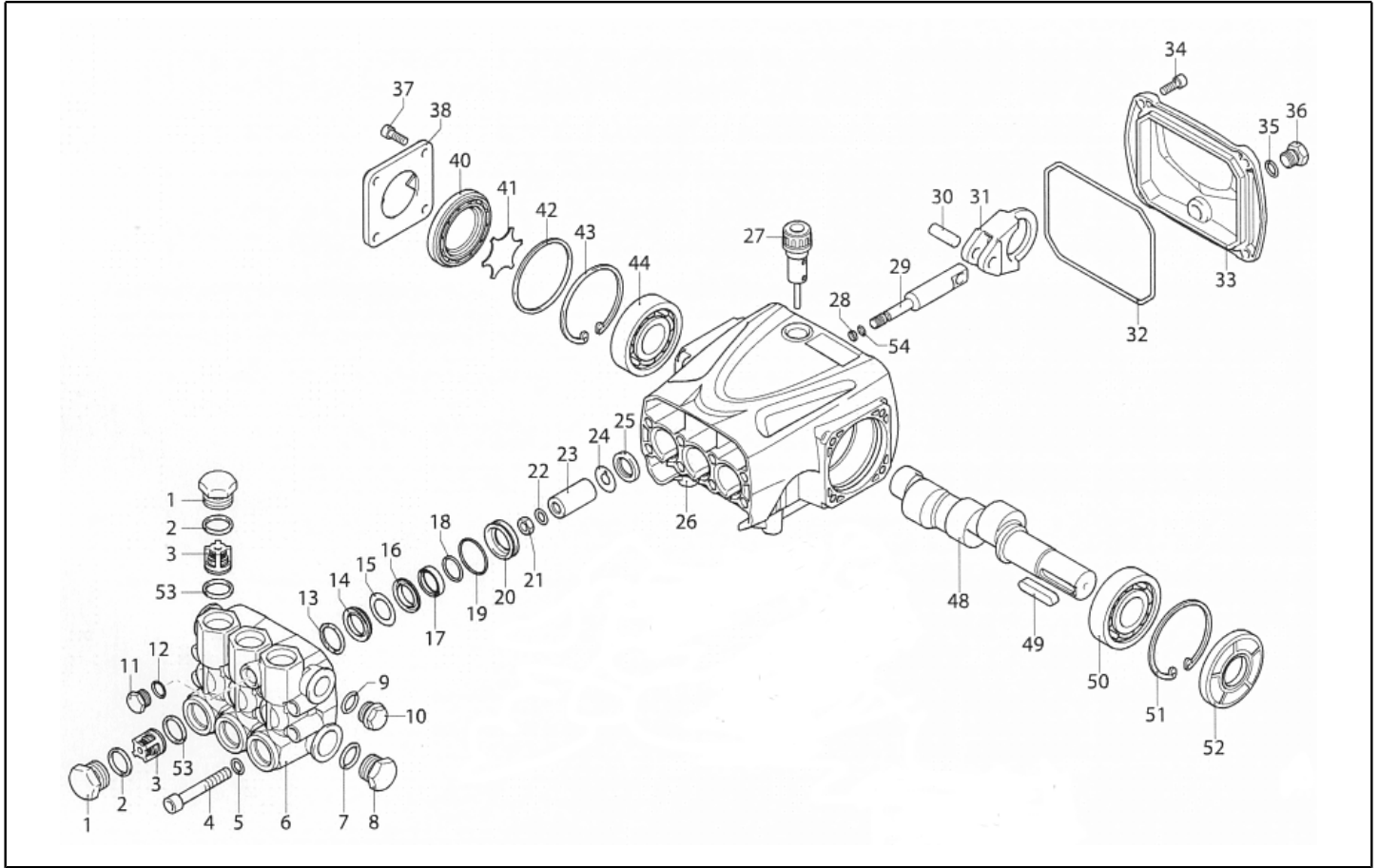
Ref. K	Part n.	Customer part n.	Description	Quantity	Validity		Price
					From	To	
0001	MOTR40030		3PH MOTOR C50 HP7.5 23-400/50C RR/K	1,00			--
0002	PPAP40058		PUMP RR 15.20 DX N	1,00			--
0003	VVAZ40078		VALVE VRF-2 AR-R PPr.S/IN.M22	1,00			--
0004	RCVR45741	00045741	NOZZLE HOLDER 1/4-1/8 F MTM	1,00			--
0005	PVVR40471		KNOB VRF-2 A.sf.	1,00			--
0006	RCDS87610	00087610	NIPPLE 3/4 - 1/2 CB D.13.0	1,00			--
0007	FTDT12702	00012702	FILTER PA	1,00			--
0008	RCVR29600	00029600	SOCKET PTC 3/4 F	1,00			--
0009	RCDS40280		COLUMN M-F 1/8 L=25 MM OT.	1,00			--
0010	MNMN93800		PRESSURE GAUGE 1/8 POST. 0-300 D.40 S/ST	1,00			--
0011	RCDS40176		ELBOW 1/8" M/F CN. L=24 OT.	1,00			--
0012	GUGO10881	00010881	GASKET M.EL. 73X73	2,00			--
0013	MPVR40926		SPACER PW-C45 CAME H.26.0 ABS	1,00			--
0014	MPVR40953		CONTROL BOX PW-C55 7.5Hp/RR ABS BK.	1,00			--
0015	MPVR40908		BOX COVER PW-C45 ABS BK.	1,00			--
0016	MPVR23482	00023482	SWITCH TANG TEC. TUV	1,00			--
0017	GUGO25527	00025527	O-RING D. 14 X 3 NBR 70SH	1,00			--
0018	VTRS40008		WASHER D. 3.2X 9 X0.8 NYL	2,00			--
0019	MPVR49057	00049057	BLACK KNOB P176-M.RACE PA6	1,00			--
0020	MPVR40920		GREEN COVER PW-C55 PPL V.368C	1,00			--
0021	MPVR40906		DOOR PW-C45 PPL BK.	1,00			--
0022	MPVR40921		BACK PANEL PW-C55 PP BK.	1,00			--
0023	MPVR40909		TOOL HOLDER PW-C45 PP BK.	1,00			--
0024	MPVR40485		RUBBER PW-H35 15-20BK.	1,00			--
0025	MPVR40534		PIN PW-H35 PP BK.	2,00			--
0026	LAFN40992		TROLLEY PW-C55	1,00			--
0027	MPVR40905		FOOT PW-C45 PP BK.	1,00			--
0028	LAFN40991		HANDLE PW-C45/55 BK.	1,00			--
0029	MPVR40910		HALF BEARING PW-C45 ANT. PP BK.	1,00			--
0030	MPVR40911		HALF BEARING PW-C45 PST. PP BK.	1,00			--
0031	MPVR40915		TOOL HOLDER PW-C45 HAN.PP BK.	1,00			--
0032	RTRT40019		WHEEL D.250-D.20X 58 RES BK.	2,00			--
0033	VTRS28558	00028558	WASHER D.20	2,00			--
0034	MPVR40734		HUB CAP D.50 G-48/IPC GR.368C	2,00			--
0035	MPVR60553	00060553	FOOT GOMMA 20X20 AQ EPDR50	2,00			--
0036	IPPR40020		GRIP G 6000+P.330 +M22 SW.M V	1,00			--
0037	LCPR40087		EXTENSION P 70 -P20.IX700 M22 M	1,00			--
0038	UGLN49987	00049987	NOZZLE LECH 1/4 15045	1,00			--
0039	TBAP25324	00025324	H.P. HOSE R1 MT 10 5/16" C/2 IRV ZC	1,00			--
0040	VTVR40062		HANDWHEEL F 8MA THF40 +CAP	2,00			--
0041	VTVR40064		PLATE M 5 SP.1.5 BR.	2,00			--
0042	MEVR33994	00033994	CABLE FASTNER 4228 B D. 6- 18	1,00			--
0043	VTRS00504	00000504	WASHER D. 8 TE ZC. UNI 6592	2,00			--
0044	VTVT40070		SCREW M 8X 50 TTQST UNI 5731	2,00			--



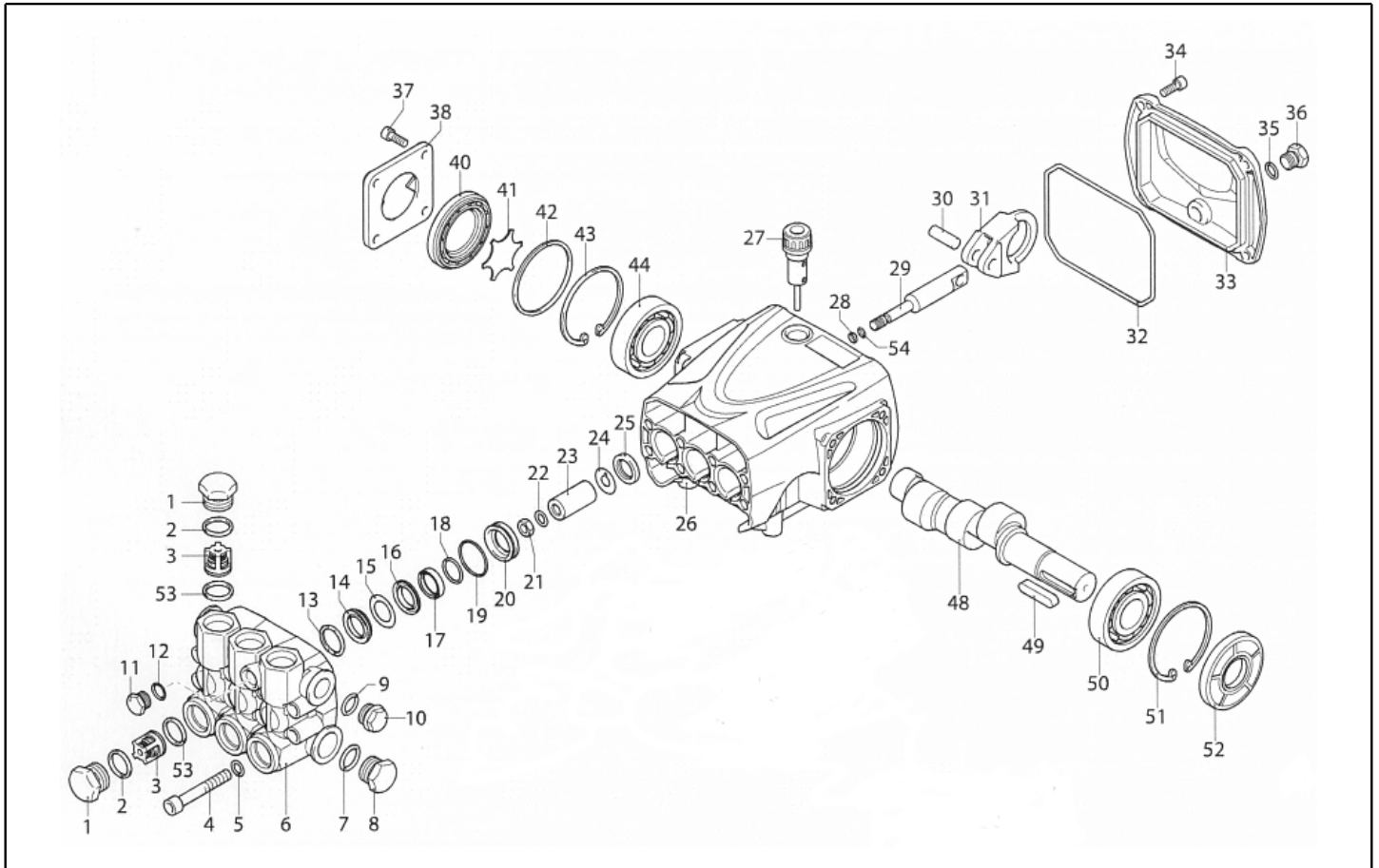
Ref. K	Part n.	Customer part n.	Description	Quantity	Validity		Price
					From	To	
0045	ETET41262		LABEL LED PW-C45 PLC	1,00			--
0046	RCVR29602	00029602	CONNECTOR D. 1/2"-5/8" PTC	1,00			--
0047	PVVR40175		CAP AR RR C/F. 1/8F+OR	2,00			--
0048	MPVR01696	00001696	PROD D.25 1.02.107	2,00			--
0049	RCDS40172		SCREW 3/8 VRF-2 OT 4F.	1,00			--
0050	VTRS00548	00000548	WASHER D.17,5X23X1,5 (3/8)RM	1,00			--
0051	GUGO03510	00003510	O-RING D. 12.37 X 2.62 NBR 70SH	2,00			--
0052	RCDS40171		SCREW G 1/2 VRF-2 OT. 2F.	1,00			--
0053	VTRS00549	00000549	WASHER D.21,5X27X1,5 (1/2) RM	1,00			--
0054	GUGO01048	00001048	O-RING D. 15.88 X 2.62 NBR 70SH	2,00			--
0055	LAFN40838		BRACKET PW-H100 ZC.	1,00			--
0056	GUGO21337	00021337	O-RING D. 25.07 X 2.62 VIT 70SH	1,00			--
0057	RCDS25578	00025578	BUSHING IP WW141 OT.	1,00			--
0058	GUGO21339	00021339	O-RING D. 29.82 X 2.62 VIT 70SH	1,00			--
0059	MFVR21309	00021309	COUNTERFLANGE MEC 90-100-112	1,00			--
0060	RCDS40281		CONNECTOR L=120 2X1/8M CN. IX.	1,00			--
0061	RCVR09058	00009058	CAP 1/4 M EI D. 8 NK.	1,00			--



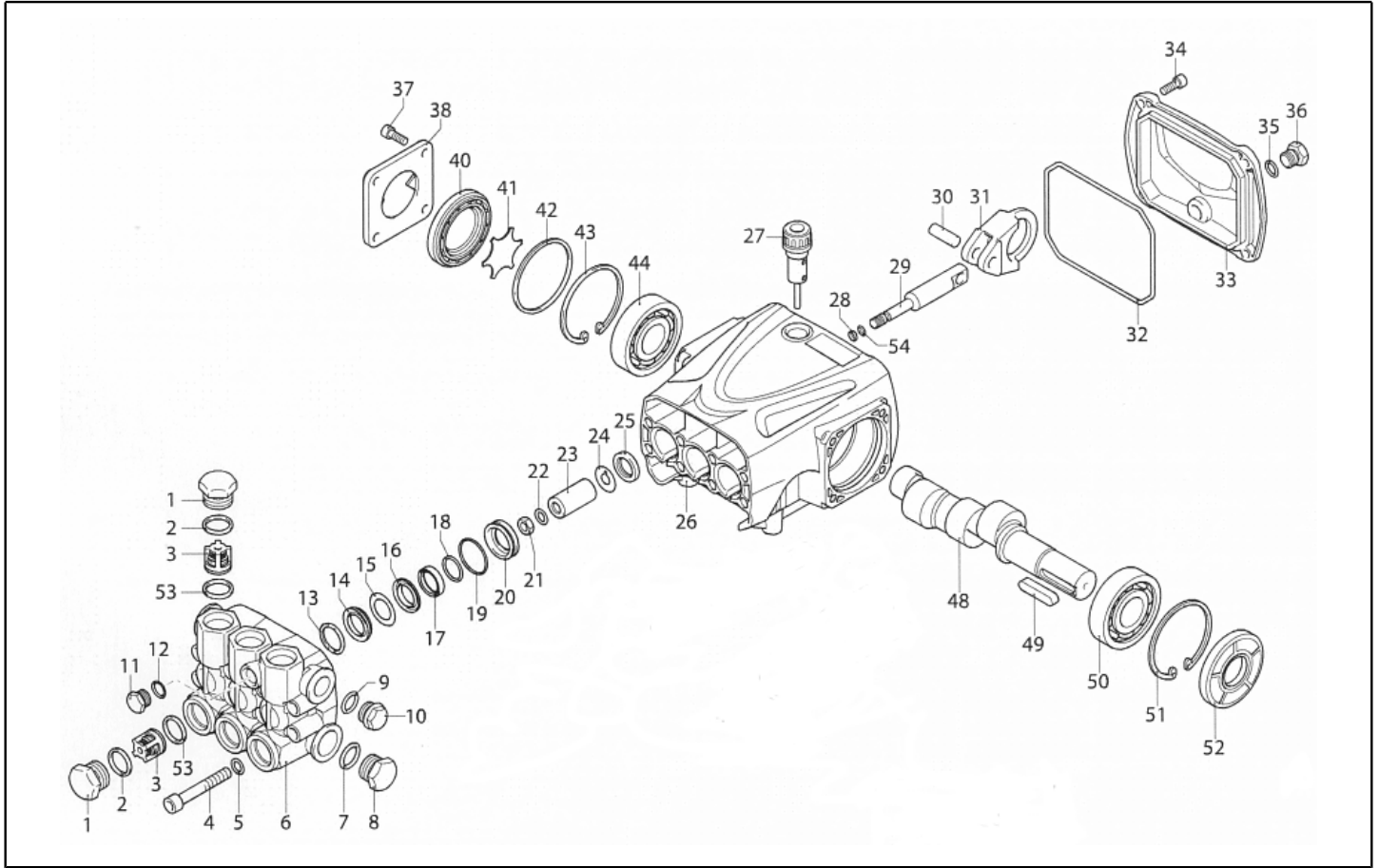
Ref. K	Part n.	Customer part n.	Description	Quantity	Validity		Price
					From	To	
K	METT40013		CONTACTOR SIE 3RT 2017-1AV01 400V	1,00			--
IG	MECI40020		SWITCH BRM BP. 0-1 12A	1,00			--
P1	MEPF39741	00039741	PRESSURE SWITCH MTM 1/8M NA/NC 25B. MICRO	1,00			--
P2	MEPF39902	00039902	PRESSURE SWITCH MTM 1/4M NA/NC 25B. MICRO	1,00			--
TM	METY40023		TIMER THV/1Eco. 400-5/60 30S.	1,00			--
CV1	MECB89888		CABLE H07 RNF 4X2.5 L=6.500	1,00			--



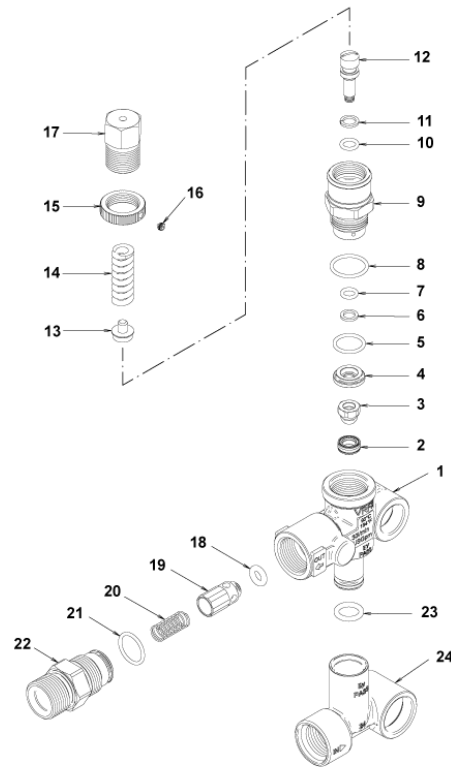
Ref. K	Part n.	Customer part n.	Description	Quantity	Validity		Price
					From	To	
0001	PVVR40161		CAP AR RR	6,00			--
0002	GUGO03502	00003502	O-RING D. 17.86 X 2.62 NBR 70SH	6,00			--
0003	S VVAM40003		VALVE UNIT RR	6,00			--
0004	VTVT63018		SCREW TCEI M 8X55 ZC U.5931	8,00			--
0005	VTRS14242	00014242	WASHER D. 8.4X13X0.8 UNI7064 SCH	8,00			--
0006	MFVR40028		HEAD AR RR OT.	1,00			--
0007	GUGO19245	00019245	O-RING D. 17.5 X 2 NBR 70SH	1,00			--
0008	PVVR40121		CAP 1/2 M RC	1,00			--
0009	GUGO09720	00009720	O-RING D. 14 X 1.78 NBR 70SH	1,00			--
0010	PVVR40099		CAP 3/8 M HRM	1,00			--
0011	PVVR40129		CAP 1/4 M RC	1,00			--
0012	GUGO01036	00001036	O-RING D. 10.82 X 1.78 NBR 70SH	1,00			--
0013	S PVVR40122		HEAD RING D. 18 RC	3,00			--
0014	S GUVR40035		PACKING D. 18 RC H.P.	3,00			--
0015	S GUVR40043		ANTI-EXTR.RING D.18X28	3,00			--
0016	S PVVR40162		INTERMED. RING D. 18 RR	3,00			--
0017	S GUVR40036		PACKING D. 18 RC L.P.	3,00			--
0018	S GUVR40037		ANTI-EXTR.RING D.21	3,00			--
0019	S GUGO19290	00019290	O-RING D. 23.52 X 1.78 NBR 70SH	3,00			--
0020	S PVVR40163		PACKING RETAIN. D. 18 RR	3,00			--
0021	VTDD00483	00000483	NUT M 8 ZIN UNI 5588	3,00			--
0022	VTRS19394	00019394	WASHER D. 8X13X0.5	3,00			--
0023	S PIVR40007		PISTON D.18 RR	3,00			--
0024	PVVR19233	00019233	DISC XTS	3,00			--
0025	S GUGO09690	00009690	OIL SEAL 15X 24X 5 NBR70	3,00			--
0026	MFVR40030		PUMP CRANKCASE AR RR	1,00			--
0027	PVVR19231	00019231	OIL CAP XTS	1,00			--
0028	GUGO08071	00008071	O-RING D. 4.48 X 1.78 NBR 70SH	3,00			--
0029	PVVR40176		PISTON GUIDE RR	3,00			--
0030	PVVR40178		GUDGEON D. 9 RR	3,00			--
0031	BLVR40002		CONNECTING ROD RR	3,00			--
0032	GUGO40017		O-RING D. 107.62 X 2.62 NBR 70SH	1,00			--
0033	MFVR40029		CRANKASE COVER AR RR	1,00			--
0034	VTVT09913	00009913	SCREW TCEI 6X16 UNI5931	4,00			--
0035	GUGO01036	00001036	O-RING D. 10.82 X 1.78 NBR 70SH	1,00			--
0036	PVVR40129		CAP 1/4 M RC	1,00			--
0037	VTVT09913	00009913	SCREW TCEI 6X16 UNI5931	4,00			--
0038	MFVR40021		CRANKASE COVER AR RC LT.	1,00			--
0040	PVVR40179		OIL INDICATOR RR	1,00			--
0041	PVVR40125		DISC RC	1,00			--
0042	GUGO09030	00009030	O-RING 56X82 X2.62 - NBR	1,00			--
0043	VTAE10405	00010405	CIRCLIP D. 62 UNI 7437	1,00			--
0044	CUVR09654	00009654	BALL BEARING 6305	1,00			--
0048	ALMO40012		SHAFT AR RR 15LT VRS. N	1,00			--



Ref. K	Part n.	Customer part n.	Description	Quantity	Validity		Price
					From	To	
0049	VTVR41531	00041531	KEY 8X 7X35 UNI 6604A	1,00			--
0050	CUVR09654	00009654	BALL BEARING 6305	1,00			--
0051	VTAE10405	00010405	CIRCLIP D. 62 UNI 7437	1,00			--
0052	S GUGO40018		OIL SEAL 25X 62X 8 NBR70	1,00			--
0053	S GUGO02259	00002259	O-RING D. 15.54 X 2.62 NBR 70SH	6,00			--
0054	GUVR40044		ANTI-EXTR.RING D. 5 X 8 X1	3,00			--

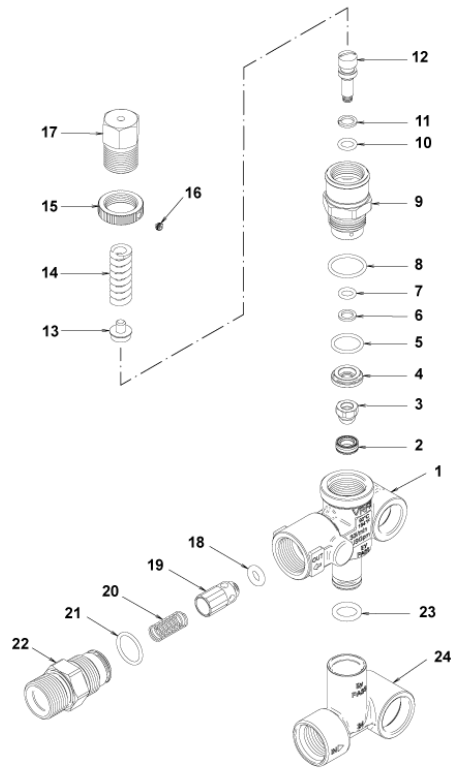


Ref. Part n.	Cust. part n.	Description	Reference	Price
KTRI40142		KIT P 15-42909 RR	0003 0053	--
KTRI40143		KIT P 15-42904 D.18 RR	0023	--
KTRI40144		KIT P 15-42922 RR	0025 0052	--
KTRI40145		KIT P 15-42924 D.18 RR	0014 0015 0017 0018 0019	--
KTRI40095		KIT P 15-42903 D.18 RC	0013	--
KTRI40146		KIT P 15-42923 D.18 RR	0016 0020	--

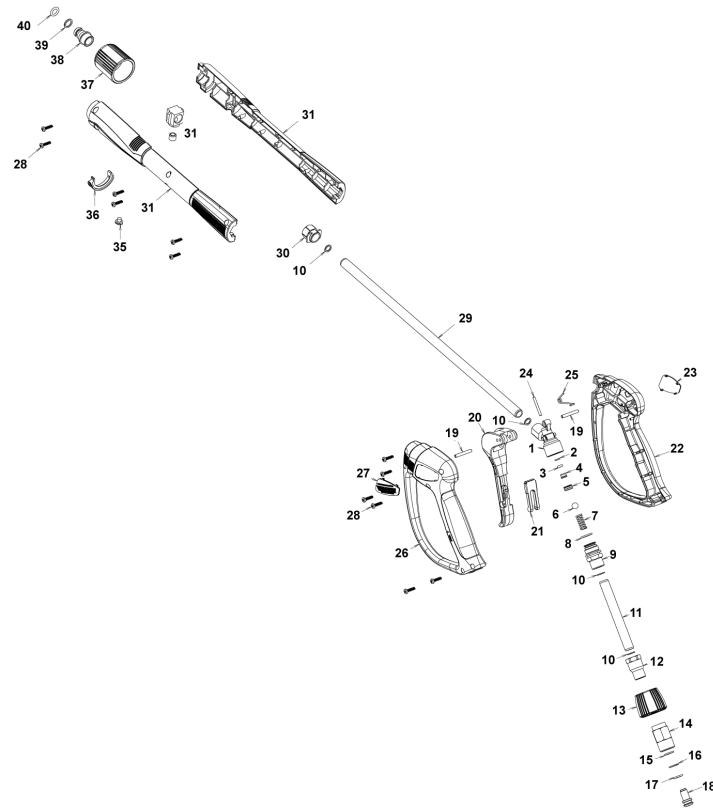


Ref. K	Part n.	Customer part n.	Description	Quantity	Validity		Price
					From	To	
0001	PVVR40375		VALVE BODY VRF2 +G1/8 F	1,00			--
0002	S PVVR40363		VALVE SEAT MV124 +OR	1,00			--
0003	S PVVR40364		COUPLING MV124	1,00			--
0004	S PVVR40365		SPACER MV124	1,00			--
0005	S GUGO12322	00012322	O-RING D. 14 X 1.78 NBR 90SH	1,00			--
0006	S GUVR40072		ANTI-EXTR.RING D. 6.5X 9.4	1,00			--
0007	S GUGO83861		O-RING D. 6.07 X 1.78 NBR 90SH	1,00			--
0008	S GUGO24913	00024913	O-RING D. 17.17 X 1.78 NBR 90SH	1,00			--
0009	S PVVR40366		CONNECTOR VRF2 D.10	1,00			--
0010	S GUGO03500	00003500	O-RING D. 6.75 X 1.78 NBR 70SH	1,00			--
0011	S GUVR40073		ANTI-EXTR.RING D. 7.1X10 X1.2 TBT	1,00			--
0012	S PVVR40367		SMALL PISTON D.10 VRF2	1,00			--
0013	PVVR40368		SPRING PLATE MV124 25B	1,00			--
0014	MLML40027		SPRING D. 3.0/6.0 X38.85	1,00			--
0015	PVVR40369		RING NUT MV167.09	1,00			--
0016	VTVT89696		SCREW EI-ST 4X 4 UNI5927 ZC	1,00			--
0017	PVVR40370		CAP VRF2 M18X1	1,00			--
0018	S GUGO46053	00046053	O-RING D. 6 X 3 NBR 90SH	1,00			--
0019	S PVVR40349		COUPLING VRT3	1,00			--
0020	S MLML40026		SPRING VRT3	1,00			--
0021	S GUGO12321	00012321	O-RING D. 15.6 X 1.78 NBR 90SH	1,00			--
0022	PVVR40374		CONNECTOR VRT3 M22 M	1,00			--
0023	S GUGO11225	00011225	O-RING D. 10.78 X 2.62 NBR 70SH	1,00			--
0024	PVVR40373		CONNECTOR VRF2.24	1,00			--

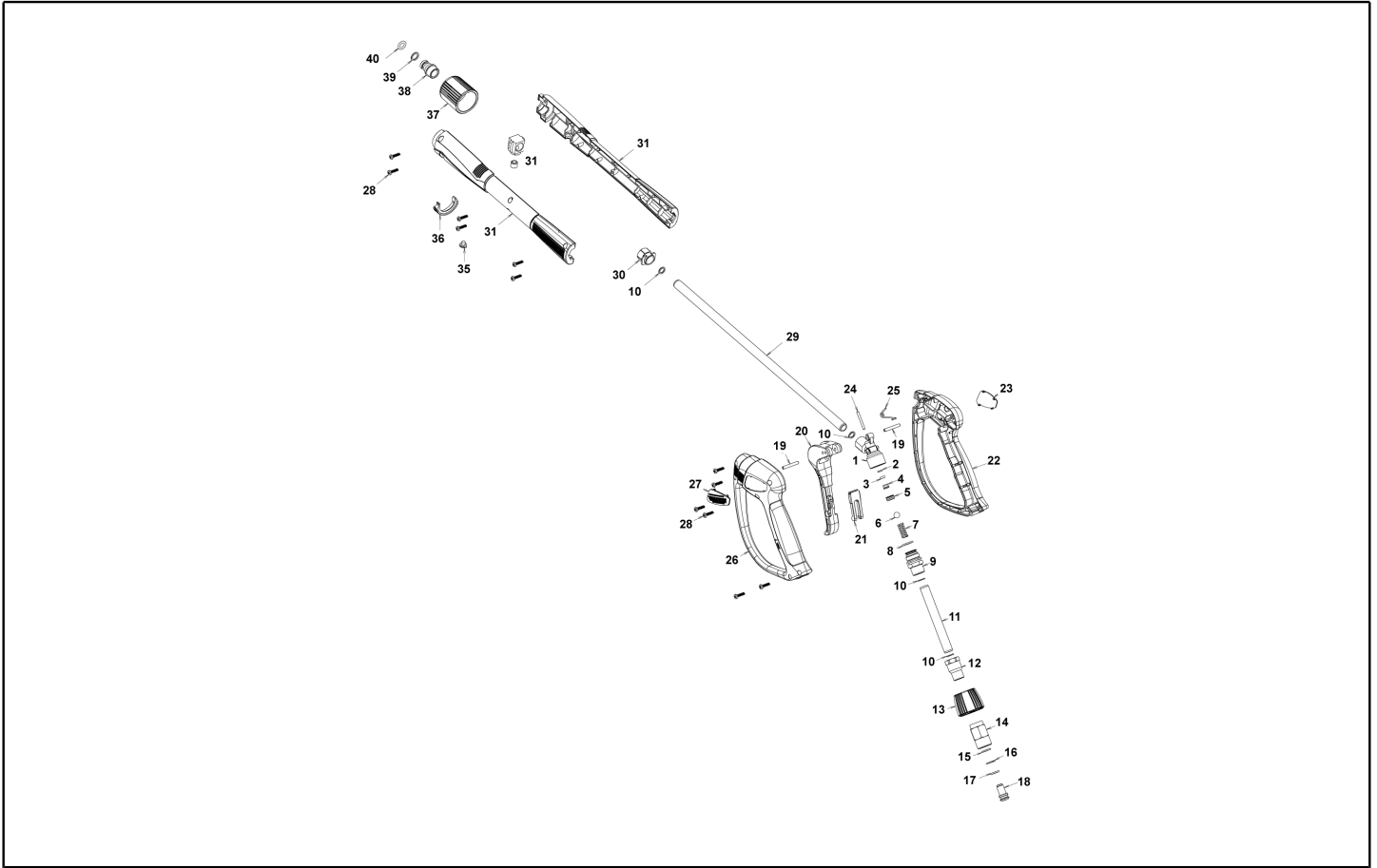




Ref. Part n.	Cust. part n.	Description	Reference	Price
KTRI40236		KIT P 14-103 VRF2	0002 0003 0004 0005 0006 0007 0008 0009 0010 0011 0012 0018 0019 0020 0021	--
KTRI40237		KIT P 14-104 SEAL VRF2	0002 0003 0005 0006 0007 0008 0010 0011 0018 0021	--



Ref. K	Part n.	Customer part n.	Description	Quantity	Validity		Price
					From	To	
0001	PVVR40381		GUN BODY G 5100 G1/4F	1,00			--
0002	S	GUVR40074	ANTI-EXTR.RING D. 3 X 7.4X1.3	1,00			--
0003	S	GUGO21835	00021835	O-RING D. 2.84 X 2.62 VIT. 80SH	1,00		--
0004	PVVR40382		PISTON GUIDE G 5100	1,00			--
0005	S	PVVR40112	BALL SEAT G 5000	1,00			--
0006	S	SFVR40002	BALL D.11/32" ALL GR16	1,00			--
0007	MLML40016		SPRING D. 9.4 x21.5x1.6 G5000	1,00			--
0008	GUGO12322	00012322	O-RING D. 14 X 1.78 NBR 90SH	1,00			--
0009	PVVR40383		CONNECTOR COLL.G5100 1/4F	1,00			--
0010	VTRS40017		WASHER D. 8.2X11,4X1.00	4,00			--
0011	PVVR40384		TUBE G 1/4" L.105	1,00			--
0012	RCIN40022		CONNECTOR SWIV G5100 1/4F	1,00			--
0013	MPVR40819		RING NUT G 5100 SW. BK.	1,00			--
0014	RCIN40021		JOINT SWIV 5100 M22	1,00			--
0015	S	GUVR40075	ANTI-EXTR.RING D. 10 X14X1.5	1,00			--
0016	S	GUVR40076	ANTI-EXTR.RING D. 11.2X14X1.2	1,00			--
0017	S	GUGO15295	00015295	O-RING D. 10.82 X 1.78 VIT 75SH	1,00		--
0018	PVVR40386		SCREW SW. G 5100	1,00			--
0019	VTVR40047		PLUG D. 4X29	2,00			--
0020	MPVR40820		TRIGGER G 6000-SW	1,00			--
0021	MPVR40821		SAFETY-DEVICE G 6000-SW	1,00			--
0022	MPVR40822		SHELL G 6000-SW DX	1,00			--
0023	MPVR40823		PLATE G 6000 GR.DX	1,00			--
0024	PVVR40387		SMALL PISTON G 5100	1,00			--
0025	MLML40029		SPRING G 5100	1,00			--
0026	MPVR40824		SHELL G 6000-SW SX	1,00			--
0027	MPVR40825		PLATE G 6000 GR.SX	1,00			--
0028	VTVT40043		SCREW AF 4X 14 HILO ZN.N	12,00			--
0029	LCPR40086		TUBE 1/4 L=420 ZC. 0°	1,00			--
0030	MPVR40493		CONNECTOR G 5100-SW	1,00			--
0031	MPVR40494		PROTECTION P 420 C/AN.	1,00			--
0035	MPVR40198		CAP G 5000	1,00			--
0036	MPVR40495		CAP G 5100 REM.	1,00			--
0037	PVVR40119		CONNECTION M22X1,5 IRV G5000	1,00			--
0038	RCIN40009		GUDGEON G 1/4 F IRV G5000	1,00			--
0039	GUVR40034		ANTI-EXTR.RING D. 10 X14	1,00			--
0040	GUGO01946	00001946	O-RING D. 9.13 X 2.62 VIT 70SH	1,00			--



Ref. Part n.	Cust. part n.	Description	Reference	Price
KTRI40243		KIT P 26- 26 SWIVEL G 5100	0015 0016 0017	--
KTRI40414		KIT P 26- 34 G 6000	0002 0003 0005 0006	--