

Integrated Professional Cleaning



IPC Foma



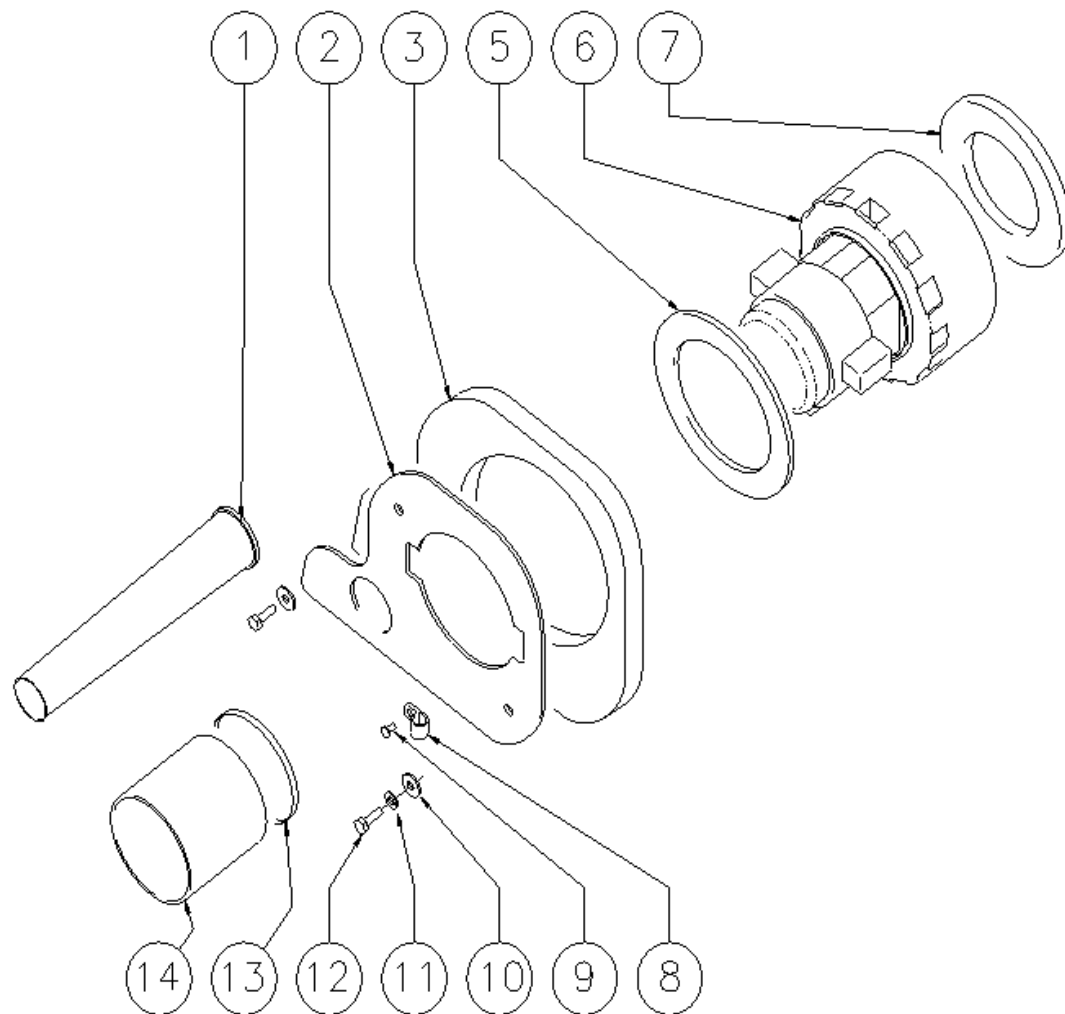
IPC Sverige

Spare Parts List

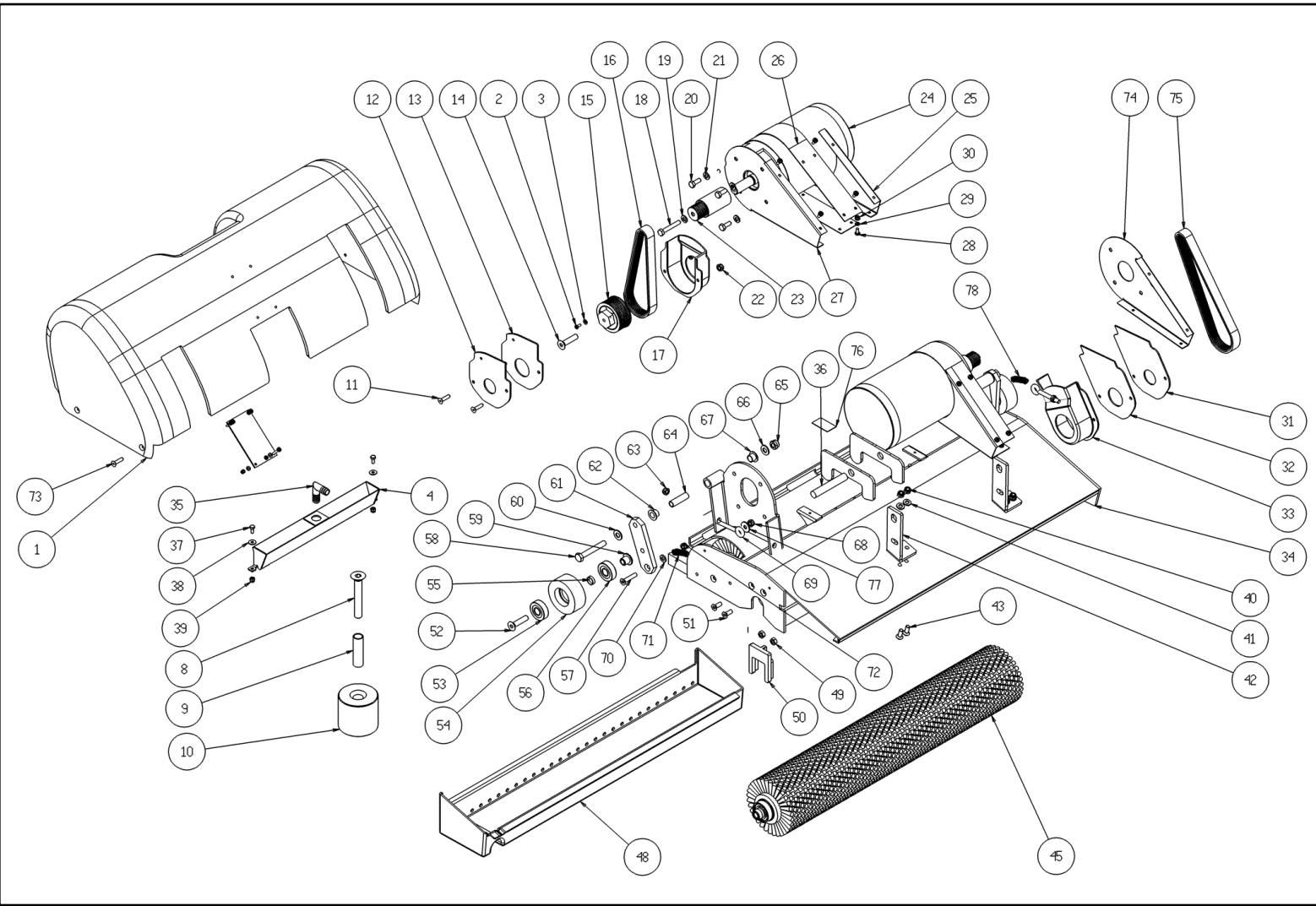
FOMA NORGE AS

Ref: LPTB01519

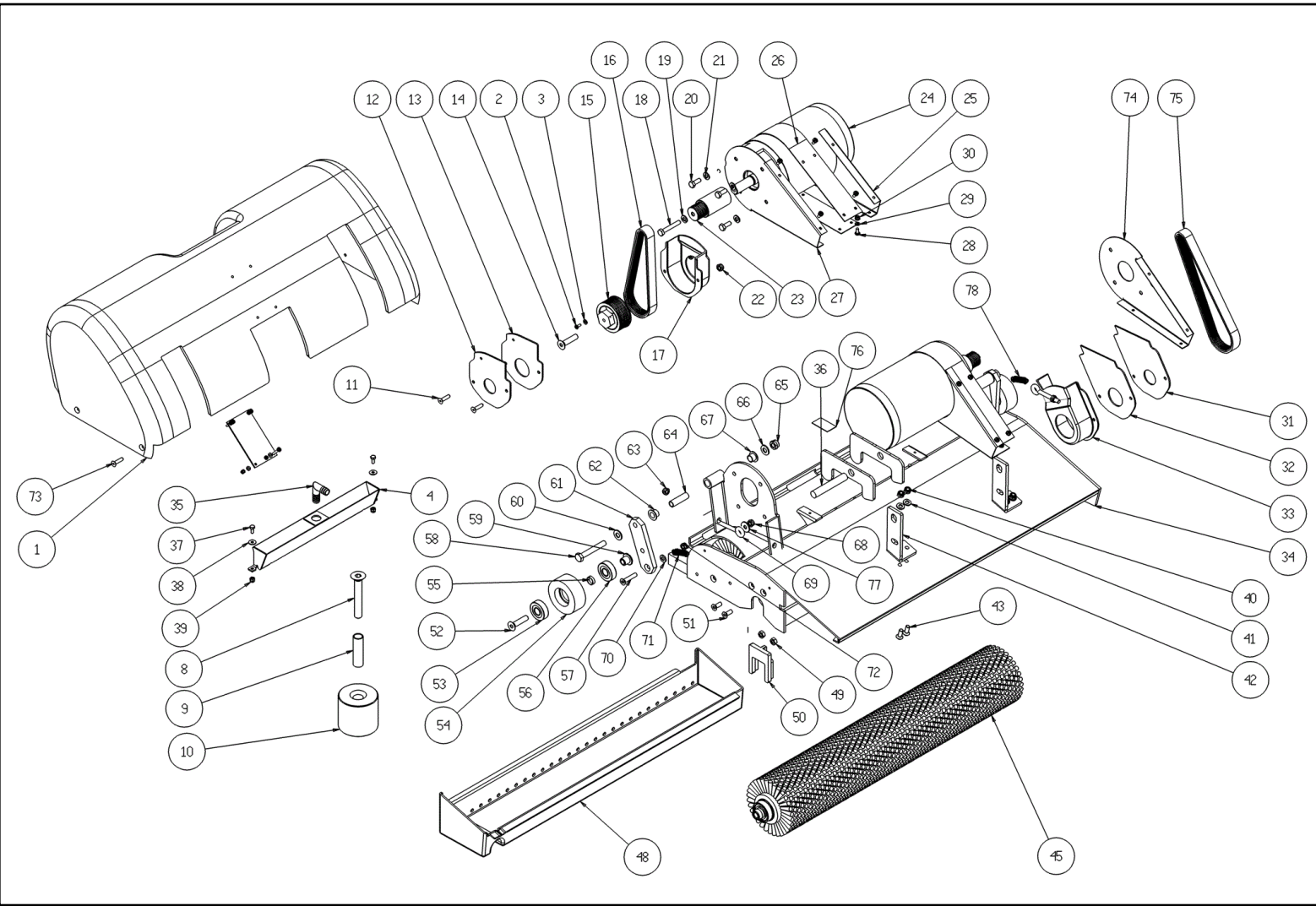
Model: CT55 BT55R GR/VE



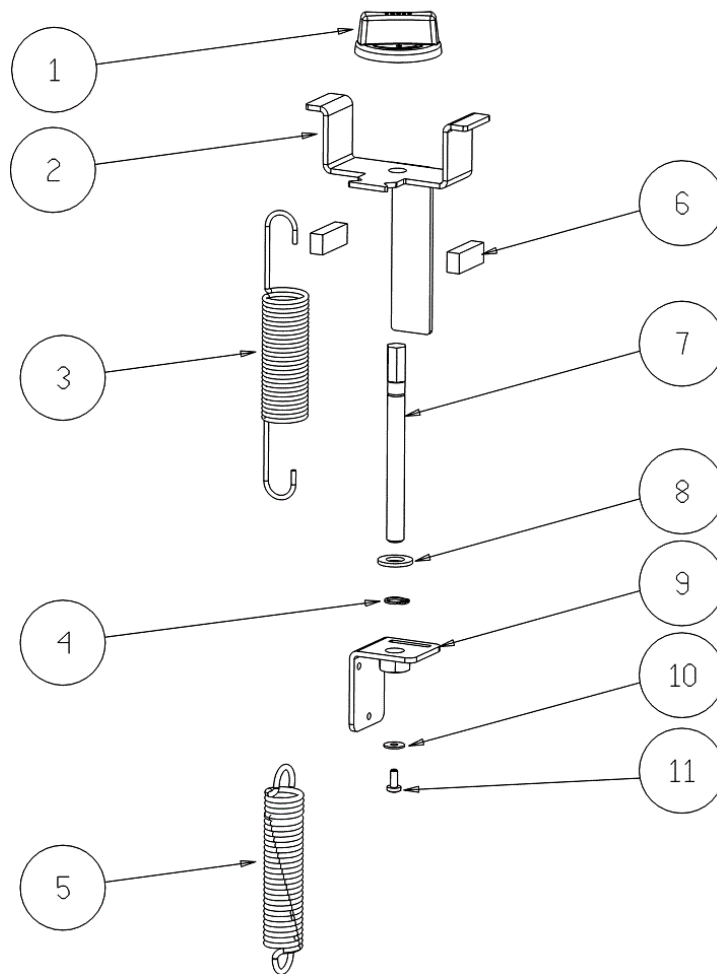
Ref.	K	Part N.	Customer Part N.	Description	Qty	Validity:		Price
						From	To	
0001		MPVR05259		TUBE SCARICO	1,00	06/2007		--
0001		TBFX00244		TUBE D 34 L200MM	1,00		06/2007	--
0002		LAFN06363		FLANGE ASPIRATORE	1,00			--
0003		MPVR05103		SOUND-PROOFING ASPIRATORE	1,00			--
0005		MPVR04724		FLANGE IN NYLON	1,00			--
0006		MEVR05200		CARBON MOTORE ASP.AMET.116599-13	2,00			--
0006		MOCC00253		MOTOR ASPIR.BIST.24V	1,00		11/2008	--
0006		MOCC00349		MOTOR VACUUM 2 STAGES 24V	1,00	11/2008		--
0007		GUGO00272		GASKET VACUUM MOTOR CT	1,00			--
0008		FSVR00099		CLAMP FERMATUBO	1,00			--
0009		VTVT00813		SCREW M 4X 8 TCB-TC UNI 8112	1,00			--
0010		VTRS13945		WASHER D. 6X18 INX UNI 6593	2,00			--
0011		VTRS15144		WASHER D. 6 INX GRW UNI 1751	2,00			--
0012		VTVT15143		SCREW TE 6X16 UNI5739	2,00			--
0013		FSVR00118		CLAMP D.94	1,00	05/2007		--
0013		FSVR00500		CLAMP 80-100 INOX	1,00		04/2007	--
0014		TBFX00268		SUCTION HOSE D80 L=80MM	1,00		04/2007	--
0014		TBFX00312		TUBE ASPIRAZIONE	1,00	05/2007		--



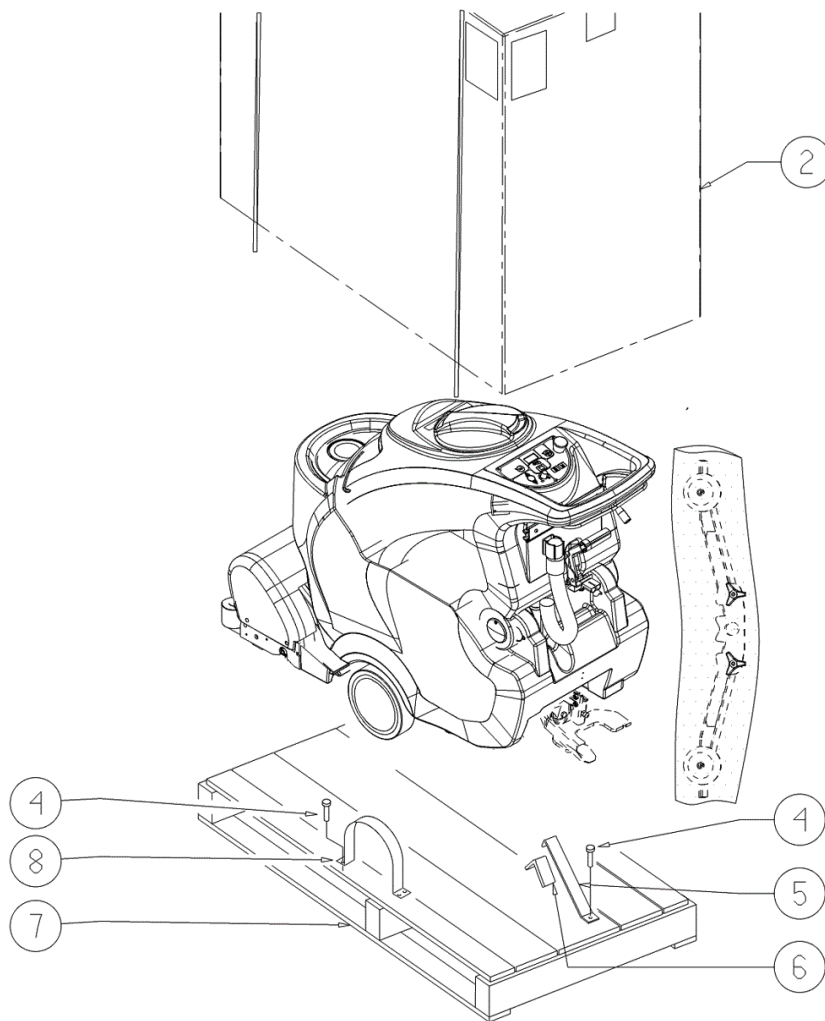
Ref.	K	Part N.	Customer Part N.	Description	Qty	Validity:		Price
						From	To	
0001		MPVR05597		COVERING -	1,00			--
0002		VTVT00722		SCREW	1,00			--
0003		VTRS01579		WASHER D. 3 UNI 6592	1,00			--
0008		VTVT00885		SCREW TSPEI M.12-80	2,00			--
0009		LAFN04111		SPACER	2,00			--
0010		MPVR05607		ROLLER -	2,00		03/2016	--
0010		MPVR10560		ROLLER -	2,00	03/2016		--
0011		VTVT00704		SCREW TE M 4X 16 UNI5739 INOX	4,00			--
0012		MPVR05602		CLOSURE -	1,00			--
0013		MPVR05756		GASKET -	1,00			--
0014		VTVT00750		SCREW TSPE M. 6-16	2,00			--
0015		MTPL00208		PULLEY -	1,00			--
0016		MTCG00130		BELT POLI	1,00			--
0017		MPVR05601		PROTECTION -	1,00			--
0018		VTVT15145		SCREW TE 6X40 UNI5739 INX	1,00			--
0019		VTRS13945		WASHER D. 6X18 INX UNI 6593	1,00			--
0020		VTVT15143		SCREW TE 6X16 UNI5739	8,00			--
0021		VTRS15144		WASHER D. 6 INX GRW UNI 1751	8,00			--
0022		VTDD15925		NUT M 4 INX	4,00			--
0023		MTPL00205		PULLEY -	2,00			--
0024		MEVR02027		CARBON -	2,00			--
0024		MOCC00379		MOTOR -	2,00			--
0025		LAFN07820		CONVEYOR -	2,00			--
0026		LAFN07819		CONVEYOR -	2,00			--
0027		LAFN07817		CONVEYOR -	1,00			--
0028		VTVT00813		SCREW M 4X 8 TCB-TC UNI 8112	16,00			--
0029		VTRS00515		WASHER D. 4 INX	16,00			--
0030		VTDD00055		NUT M 4 ATB A2	16,00			--
0031		MPVR05600		CLOSURE -	1,00			--
0032		MPVR05757		GASKET -	1,00			--
0033		MPVR05599		PROTECTION -	1,00			--
0034		LAFN06764		HEAD 55	1,00			--
0035		RCVR45752		HOSE FITTING "L" 3/8M - D.10 PLS.	1,00			--
0036		LAFN07633		PIN -	1,00			--
0037		VTVT00817		SCREW TE M4x12 UNI 5739 INOX	2,00			--
0038		VTRS00515		WASHER D. 4 INX	2,00			--
0039		VTDD15925		NUT M 4 INX	2,00			--
0040		VTDD01694		NUT M6 INOX	4,00			--
0041		VTRS00245		WASHER D.6 UNI 6592 INOX	4,00			--



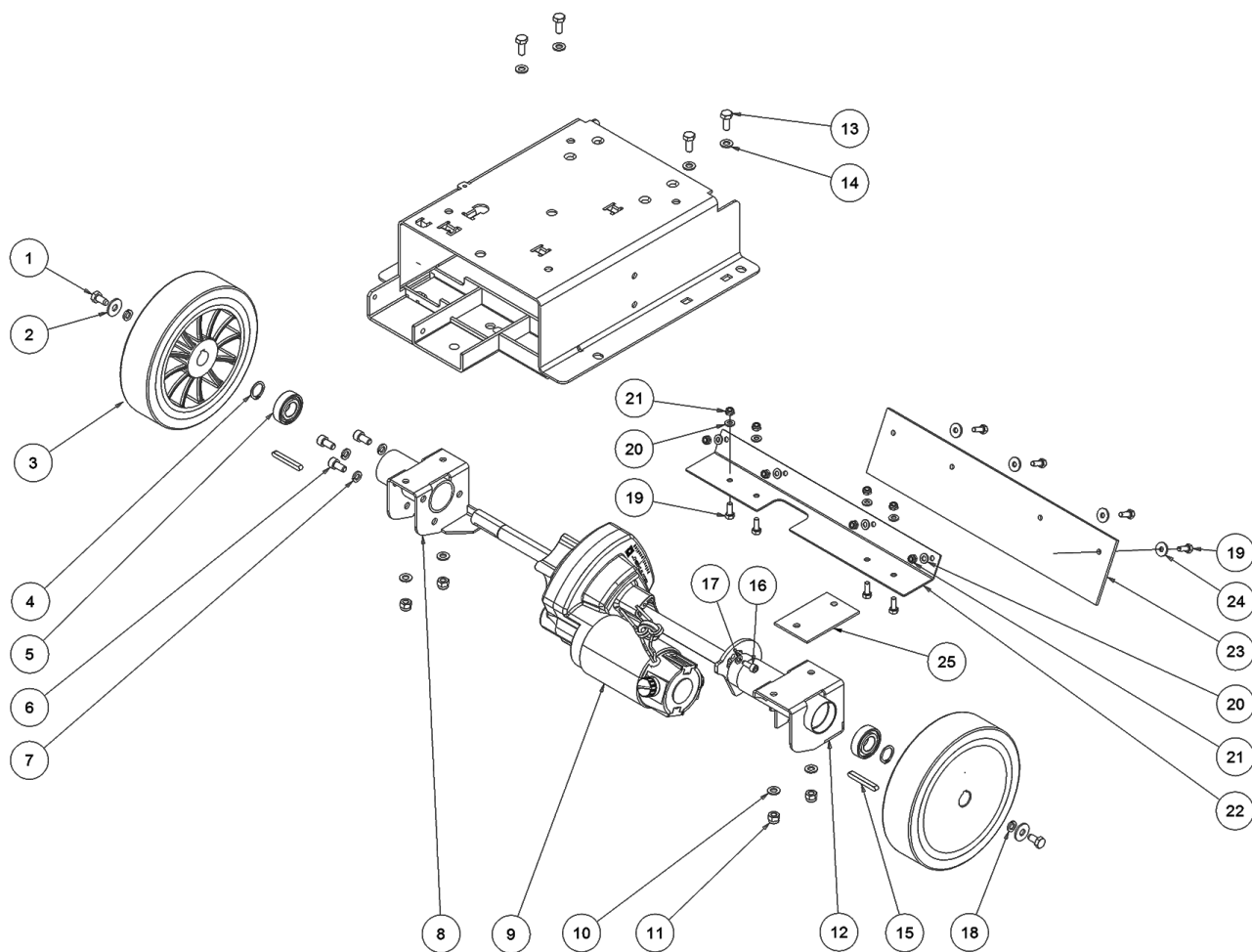
Ref.	K	Part N.	Customer Part N.	Description	Qty	Validity: From To	Price
0042		LAFN07634		BRACKET -	2,00		--
0043		VTVT00832		SCREW TSPEI M6X16 INOX	4,00		--
0045		SPPV01163		BRUSH -	2,00		--
0048		MPVR05603		DRAWER -	1,00		--
0049		VTDD15518		NUT M 6 INX	4,00		--
0050		MPVR31929		SUPPORT E 350 N	2,00		--
0051		VTVT00750		SCREW TSPE M. 6-16	4,00		--
0053		CUVR00004		BEARING 6201 2RS -MARCA-	2,00		--
0054		MTPL00206		PULLEY -	2,00		--
0055		LAFN07804		SPACER -	2,00		--
0056		CUVR00004		BEARING 6201 2RS -MARCA-	2,00		--
0057		VTVT30246		SCREW TSPEI M 6X 30 UNI 5933	2,00		--
0058		VTVT00728		SCREW TE M. 8-55	2,00		--
0059		LAFN51068		BUSHING LEVA POSTER.	2,00		--
0060		VTRS13947		WASHER D. 8 INX UNI 6592	1,00		--
0061		LAFN07769		BRACKET -	2,00		--
0062		CUVR43254		BUSHING CB 85 1010 18T	2,00		--
0063		VTDD01694		NUT M6 INOX	2,00		--
0064		LAFN07799		SPACER 10-8 L 39,9	2,00		--
0065		VTDD01695		NUT M 8 INX	2,00		--
0066		VTRS13947		WASHER D. 8 INX UNI 6592	2,00		--
0067		CUVR43254		BUSHING CB 85 1010 18T	2,00		--
0068		VTDD01694		NUT M6 INOX	2,00		--
0069		LAFN05186		TIE ROD	2,00		--
0070		VTDD15518		NUT M 6 INX	2,00		--
0071		MLML75961		SPRING D. 16 L.80	1,00		--
0072		VTDD01694		NUT M6 INOX	2,00		--
0073		VTVT00855		SCREW TSP+ M4X15	4,00		--
0074		LAFN07815		CONVEYOR -	1,00		--
0075		MTCG00129		BELT POLI	1,00		--
0076		GUVR01008		GASKET -	2,00		--
0077		VTRS13945		WASHER D. 6X18 INX UNI 6593	2,00		--
0078		MLML00065		SPRING L0=80 De=12 Df=1.7	1,00		--



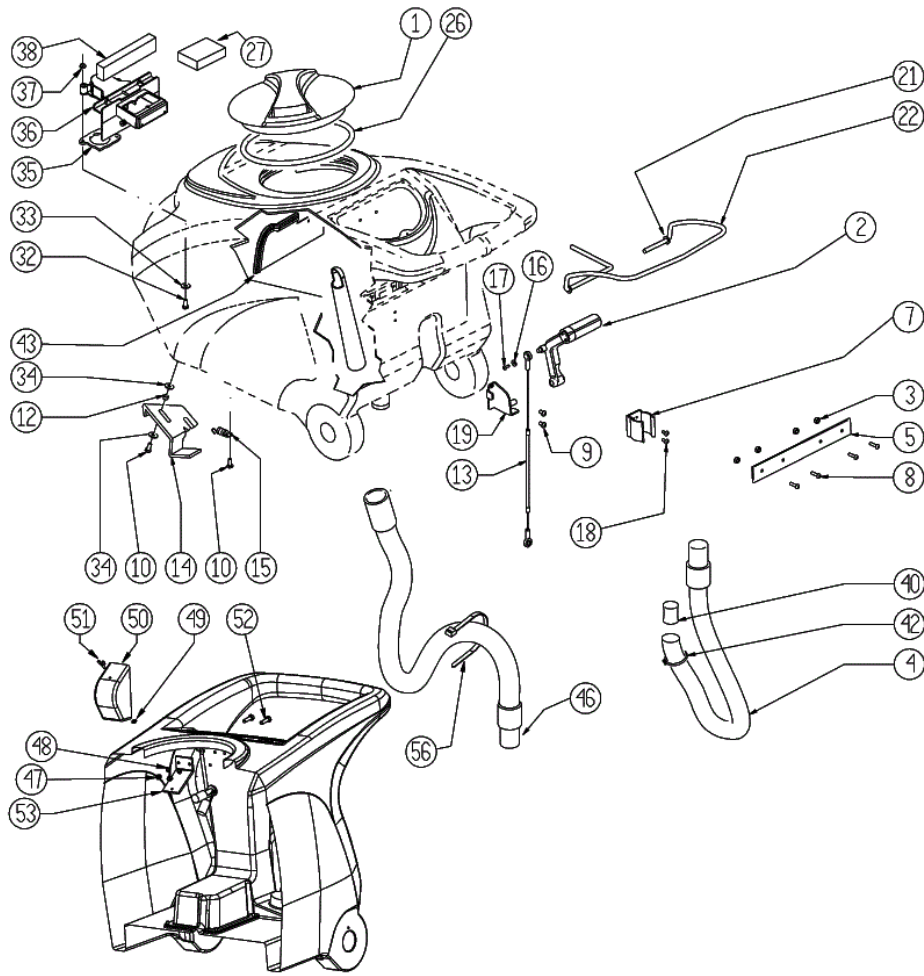
Ref. K	Part N.	Customer Part N.	Description	Qty	Validity:		Price
					From	To	
0001	MPVR75768		KNOB	1,00			--
0002	LAFN07458		SUPPORT -	1,00			--
0003	MLML00234		SPRING TESTATA LINEA 3	1,00			--
0004	VTAE13511		CIRCLIP D. 10 UNI 7435	1,00			--
0005	MLML00225		SPRING	1,00			--
0006	GUGO00315		MOUSSE CT25	2,00			--
0007	LAFN07457		SUPPORT -	1,00			--
0008	VTRS15523		WASHER D.10 X21 INOX UNI 6592	1,00			--
0009	LAFN07459		SUPPORT -	1,00			--
0010	VTRS00251		WASHER 4-16 INOX A2	1,00			--
0011	VTVT21887		SCREW TCB-TC 4X10 8112	1,00			--



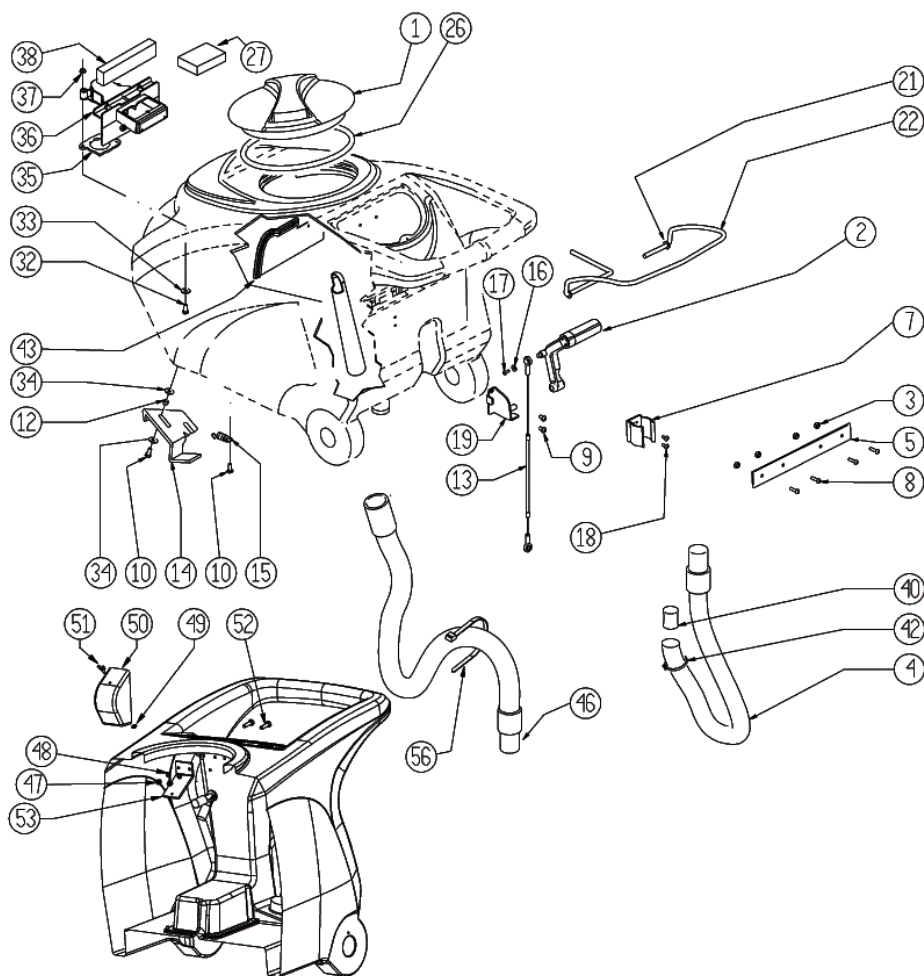
Ref. K	Part N.	Customer Part N.	Description	Qty	Validity:		Price
					From	To	
0002	MICT00196		BOX	1,00			--
0004	VTVT00043		SCREW AUTOF.LEGNO 4,5X25 TS BR	9,00			--
0005	MIVR00137		CLAMP RUOTA POSTERIORE X IMBAL.	1,00			--
0006	GUGO00009		MOUSSE	0,05			--
0007	MIBA00054		PALLET Scrubber 40/62B/BF/A	1,00			--
0008	MIVR00135		CLAMP RUOTA POSTERIORE X IMBAL.	2,00			--



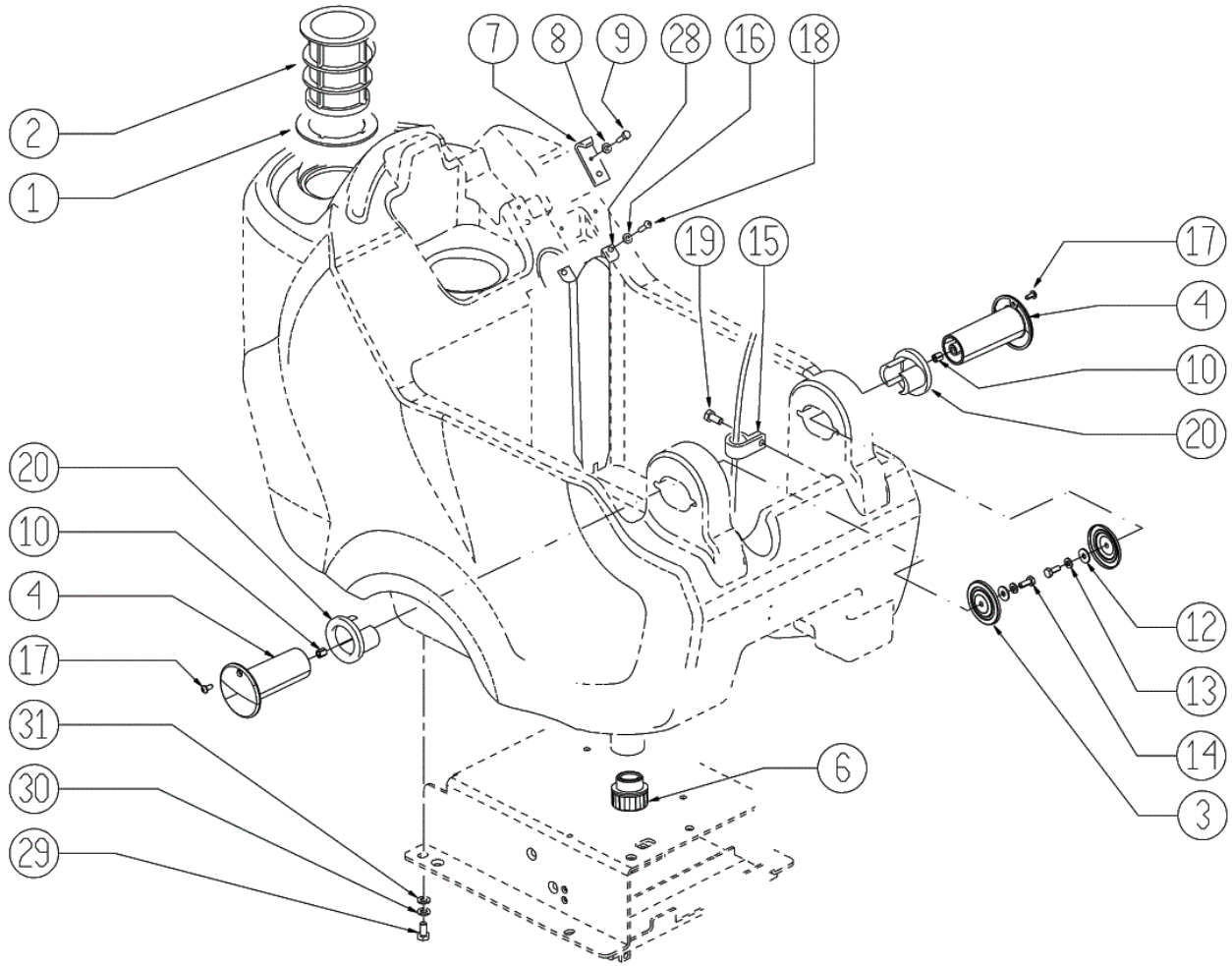
Ref.	K	Part N.	Customer Part N.	Description	Qty	Validity:		Price
						From	To	
0001		VTVT15916		SCREW TE M 8X 16 UNI 5739 A2	2,00			--
0002		VTRS13946		WASHER D. 8 X24 INX UNI 6593	2,00			--
0003		RTRT00546		WHEEL D.200	2,00			--
0004		VTAE06193		CIRCLIP D. 20 UNI 7435	2,00			--
0005		CUVR00190		BEARING 6004	2,00			--
0006		VTVT00876		SCREW TCEI M.8-16	3,00			--
0007		VTRS15146		WASHER D. 8 INX GRW UNI 1751	3,00			--
0008		LAFN07811		SUPPORT -	1,00			--
0009		MOCC00022		CARBON X MOT.COD.MOCC86902	2,00			--
0009		MOCC00396		MOTOR	1,00			--
0010		VTRS13947		WASHER D. 8 INX UNI 6592	4,00			--
0011		VTDD01695		NUT M 8 INX	4,00			--
0012		LAFN07813		SUPPORT -	1,00			--
0013		VTVT15916		SCREW TE M 8X 16 UNI 5739 A2	4,00			--
0014		VTRS13947		WASHER D. 8 INX UNI 6592	4,00			--
0015		VTVR00566		KEY 6X10X40	2,00			--
0016		VTVT00717		SCREW TCEI M. 6-16	2,00			--
0017		VTRS15144		WASHER D. 6 INX GRW UNI 1751	2,00			--
0018		VTRS15144		WASHER D. 6 INX GRW UNI 1751	2,00			--
0019		VTVT15143		SCREW TE 6X16 UNI5739	8,00			--
0020		VTRS00245		WASHER D.6 UNI 6592 INOX	8,00			--
0021		VTDD01694		NUT M6 INOX	8,00			--
0022		LAFN07951		BRACKET CT40-90	1,00			--
0023		MPVR06073		FLAP -	1,00			--
0024		VTRS13945		WASHER D. 6X18 INX UNI 6593	4,00			--
0025		MPVR10764		PROTECTION .	1,00	08/2016		--



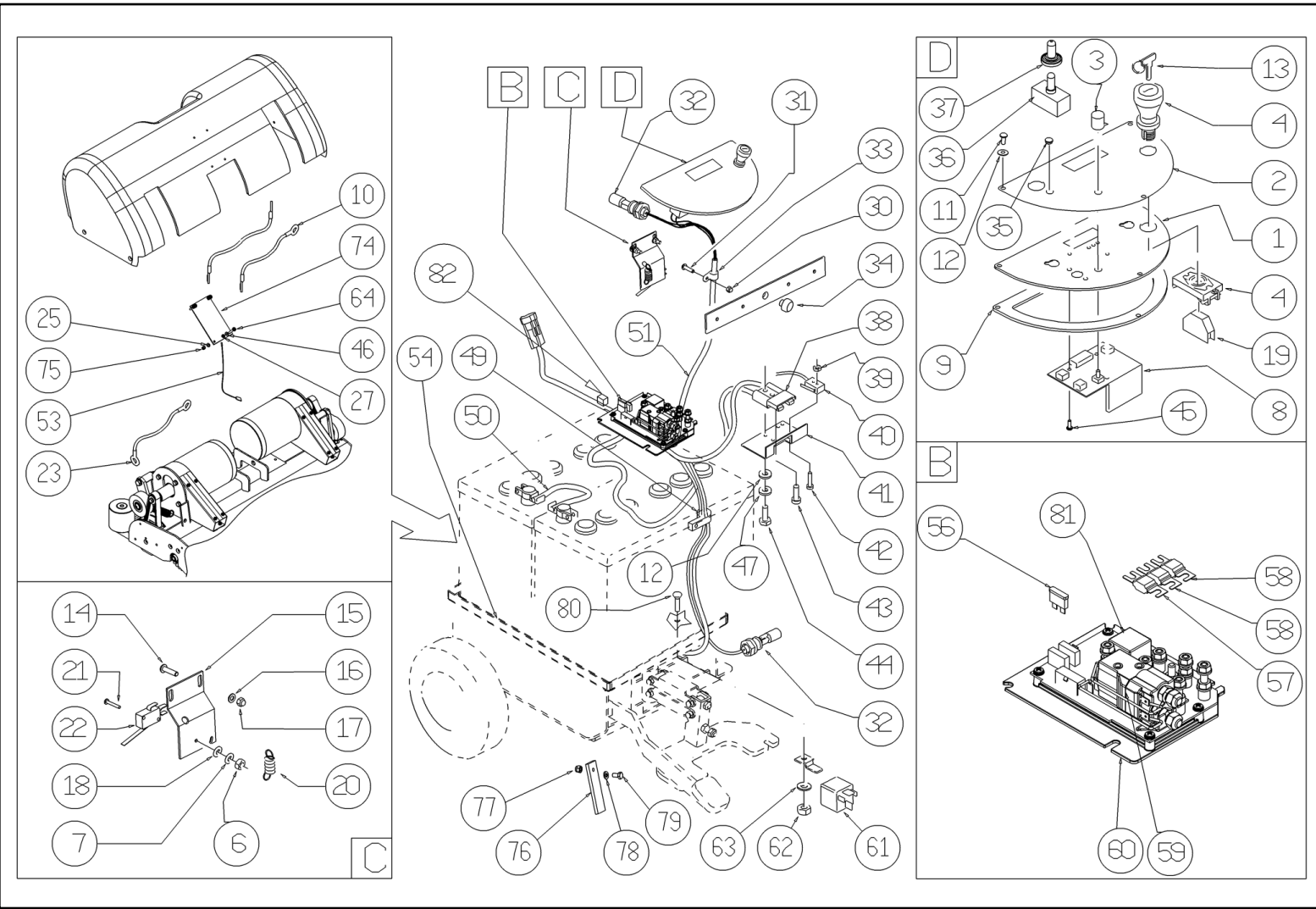
Ref. K	Part N.	Customer Part N.	Description	Qty	Validity:		Price
					From	To	
0001	MPVR04051		TANK CAP	1,00			--
0002	MPVR49942		LEVER SQUEEGEE LIFTING PP	1,00			--
0003	VTDD15518		NUT M 6 INX	4,00			--
0004	TBFX00348		TUBE CT40-70-90 HOSE DRAIN	1,00			--
0005	LAFN05865		PLATE COPRILEVA CONSENSO	1,00			--
0007	MPVR46988		CLIP LAV. SHK	1,00			--
0008	VTVT07726		SCREW TE 5X20	4,00			--
0009	VTVT01300		SCREW TE M5X12 INOX	2,00			--
0010	VTVT15143		SCREW TE 6X16 UNI5739	3,00			--
0012	LAFN03626		SPACER	2,00			--
0013	CMCV00460		CABLE SOLLEVAMENTO TERGI	1,00			--
0014	LAFN06849		HANDLE CT 70	1,00			--
0015	MLML34726		SPRING TR E350 N	1,00			--
0016	VTRS05904		WASHER D. 4 X16 2.083	1,00			--
0017	VTVT00718		SCREW TC+ M. 4,8-13	1,00			--
0018	VTVT37012		SCREW M 4X 10 TCB-TC INX	2,00			--
0019	LAFN05870		BRACKET LEVA SOLLEVAM. SQUEEGEE	1,00			--
0021	VTRS13947		WASHER D. 8 INX UNI 6592	2,00			--
0022	LAFN05861		LEVER CONSENSO SPAZZOLE	1,00		07/2014	--
0022	LAFN09339		LEVER -	1,00	07/2014		--
0026	GUGO00263		GASKET CIRCOLARE TAPPO	1,00			--
0027	FTDP00133		FILTER VACUUM MOTOR	1,00			--
0032	VTVT00814		SCREW TE M.4-25	2,00			--
0033	VTRS00251		WASHER 4-16 INOX A2	2,00			--
0034	VTRS00274		WASHER NYLON 66 D.8,4-17-2 UNI	4,00			--
0035	GUGO00417		GASKET SCATOLA ASPIRAZIONE	1,00			--
0036	MPVR05482		BOX -	1,00			--
0037	VTDD15925		NUT M 4 INX	2,00			--
0038	GUGO00449		GASKET CT55	1,00			--
0040	GUGO00245		GASKET	1,00			--
0042	FSVR43136		CLAMP D. 35-40 DF.	1,00			--
0043	MPVR06063		PLATE CT55	1,00			--
0046	KTRIO4696		KIT REPLACEMENT TBFX00353	1,00			--
0047	VTDD01693		NUT M 5 INX	2,00			--
0048	VTRS00516		WASHER D. 5 INX	2,00			--
0049	VTVR01038		WASHER -	1,00			--
0050	MPVR05596		PROTECTION -	1,00			--
0051	VTVT01150		SCREW 4x10	1,00			--
0052	VTVT00641		SCREW	2,00			--



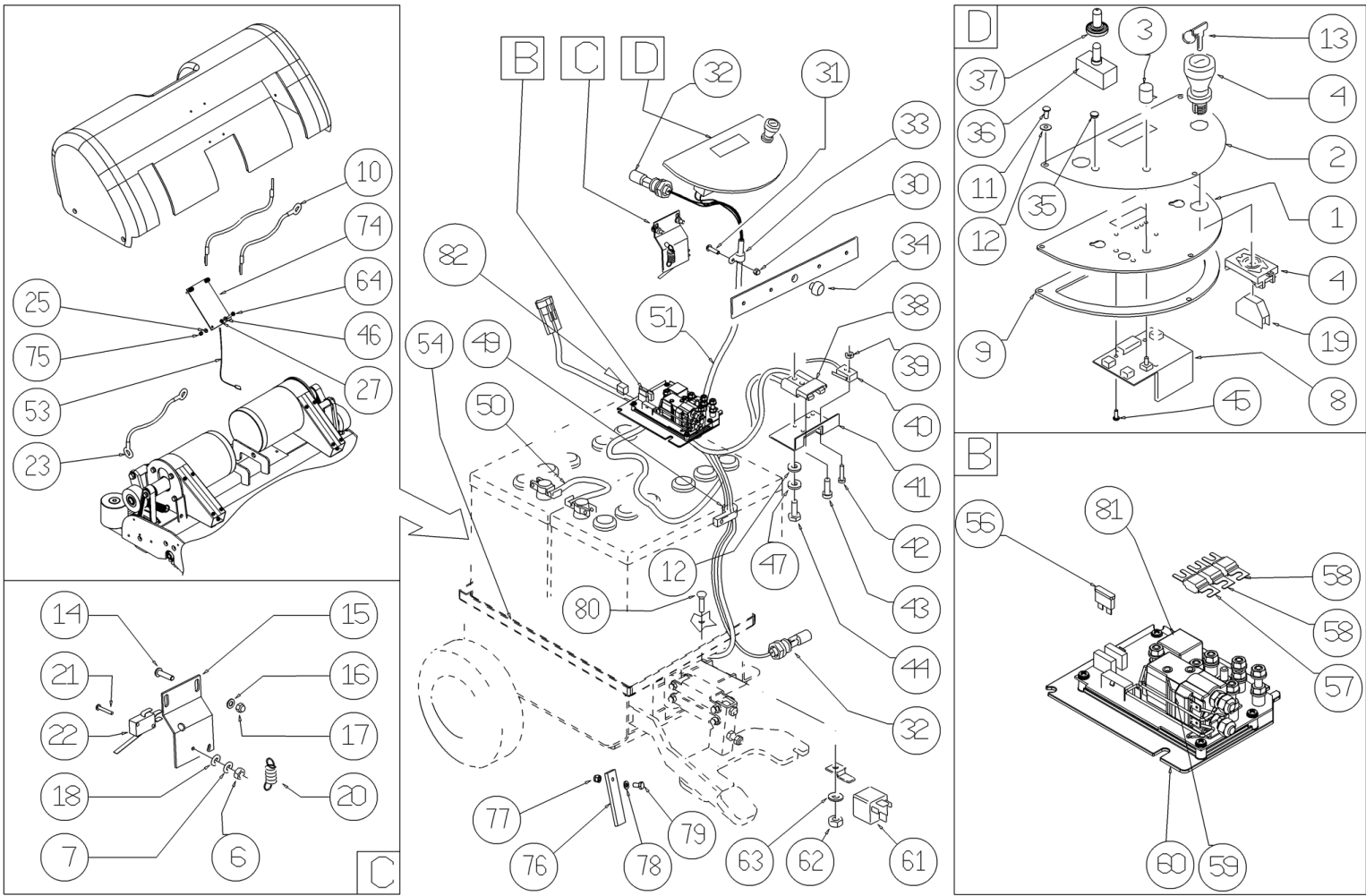
Ref.	K	Part N.	Customer Part N.	Description	Qty	Validity:		Price
						From	To	
0053		LAFN07631		BRACKET -	1,00			--
0056		FSVR00248		CLAMP -	1,00			--



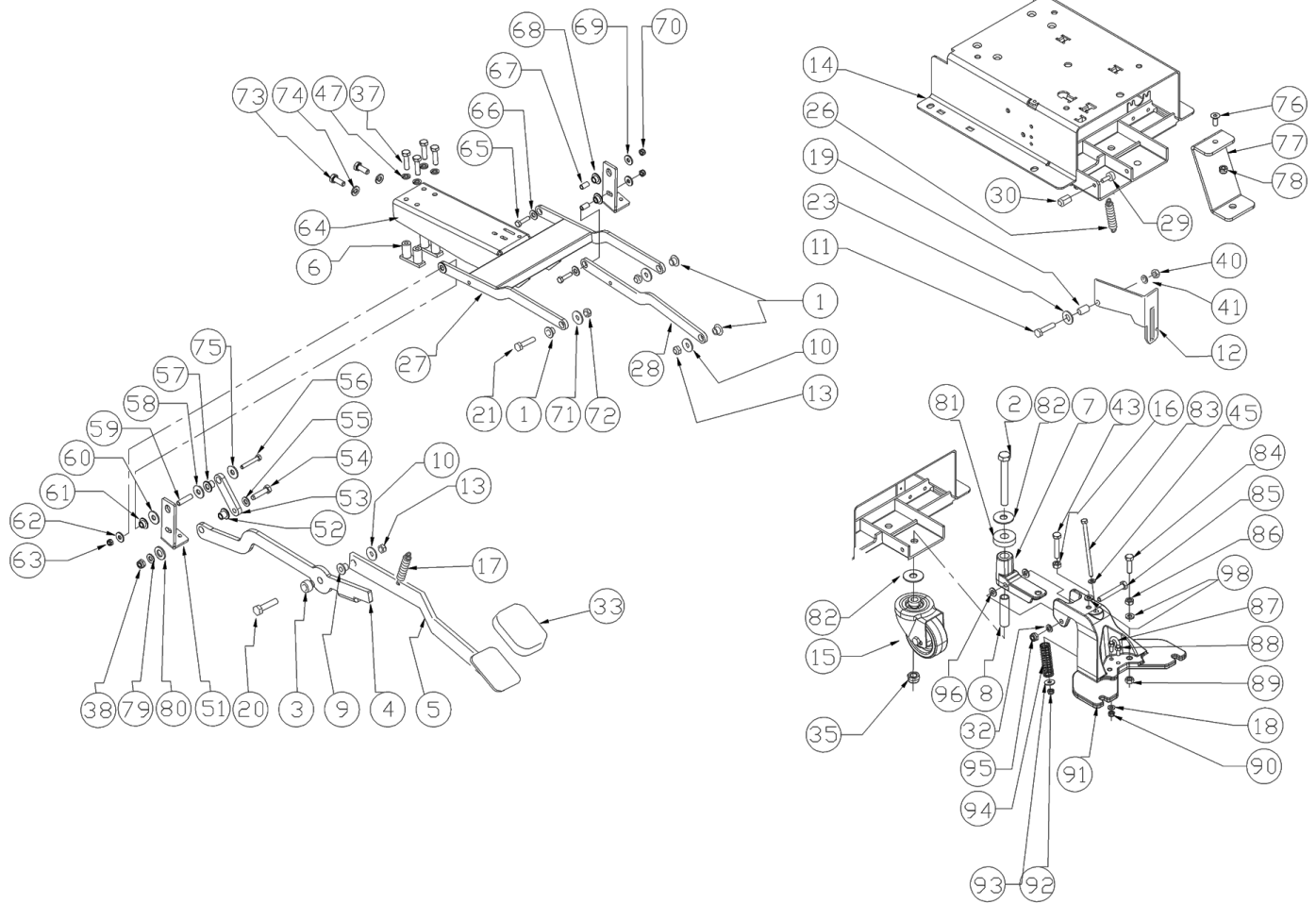
Ref.	K	Part N.	Customer Part N.	Description	Qty	Validity:		Price
						From	To	
0001		GUGO00450		GASKET CT55	1,00			--
0002		FTAC00040		FILTER -	1,00		05/2013	--
0002		FTAC48857		FILTER ASP. ACQUA SERB. LAVAP.	1,00	05/2013		--
0003		LAFN07800		SHEET METAL PA.-	2,00			--
0004		MPVR06407		PIN -	2,00	09/2014		--
0004		MPVR48695		PIN SHK.BK	2,00		09/2014	--
0006		MPVR08003		CAP	1,00		12/2016	--
0006		MPVR10774		CAP 1/2"	1,00	12/2016		--
0007		LAFN06489		PLATE	1,00			--
0008		VTRS15144		WASHER D. 6 INX GRW UNI 1751	1,00			--
0009		VTVT01303		SCREW TE M6-10 INOX	1,00			--
0010		VTVR48693		INSERT M6 D.9	2,00			--
0012		VTRS13945		WASHER D. 6X18 INX UNI 6593	2,00			--
0013		VTRS15144		WASHER D. 6 INX GRW UNI 1751	2,00			--
0014		VTVT15143		SCREW TE 6X16 UNI5739	2,00			--
0015		FSVR00244		CLAMP -	1,00	04/2013		--
0015		MPVR02933		DUCT LOCK D.9,5	2,00		04/2013	--
0016		VTRS00515		WASHER D. 4 INX	2,00			--
0017		VTVT48694		SCREW TCB TC 5 X12 UNI 9707 TZ	2,00		09/2014	--
0018		VTVT37012		SCREW M 4X 10 TCB-TC INX	2,00			--
0019		VTVT01300		SCREW TE M5X12 INOX	1,00	04/2013		--
0019		VTVT15961		SCREW M 5X 16 TCB TC UNI 7687	1,00		04/2013	--
0020		PMVR02028		RUBBER GRUPPO MONTAGGIO	2,00			--
0028		MPVR51085		FLAP POSTER.TERGI 950 MAGG.	1,00			--
0029		VTVT15916		SCREW TE M 8X 16 UNI 5739 A2	4,00			--
0030		VTRS00269		WASHER D. 8 DIN 6798-A INX A2	4,00			--
0031		VTRS13947		WASHER D. 8 INX UNI 6592	4,00			--



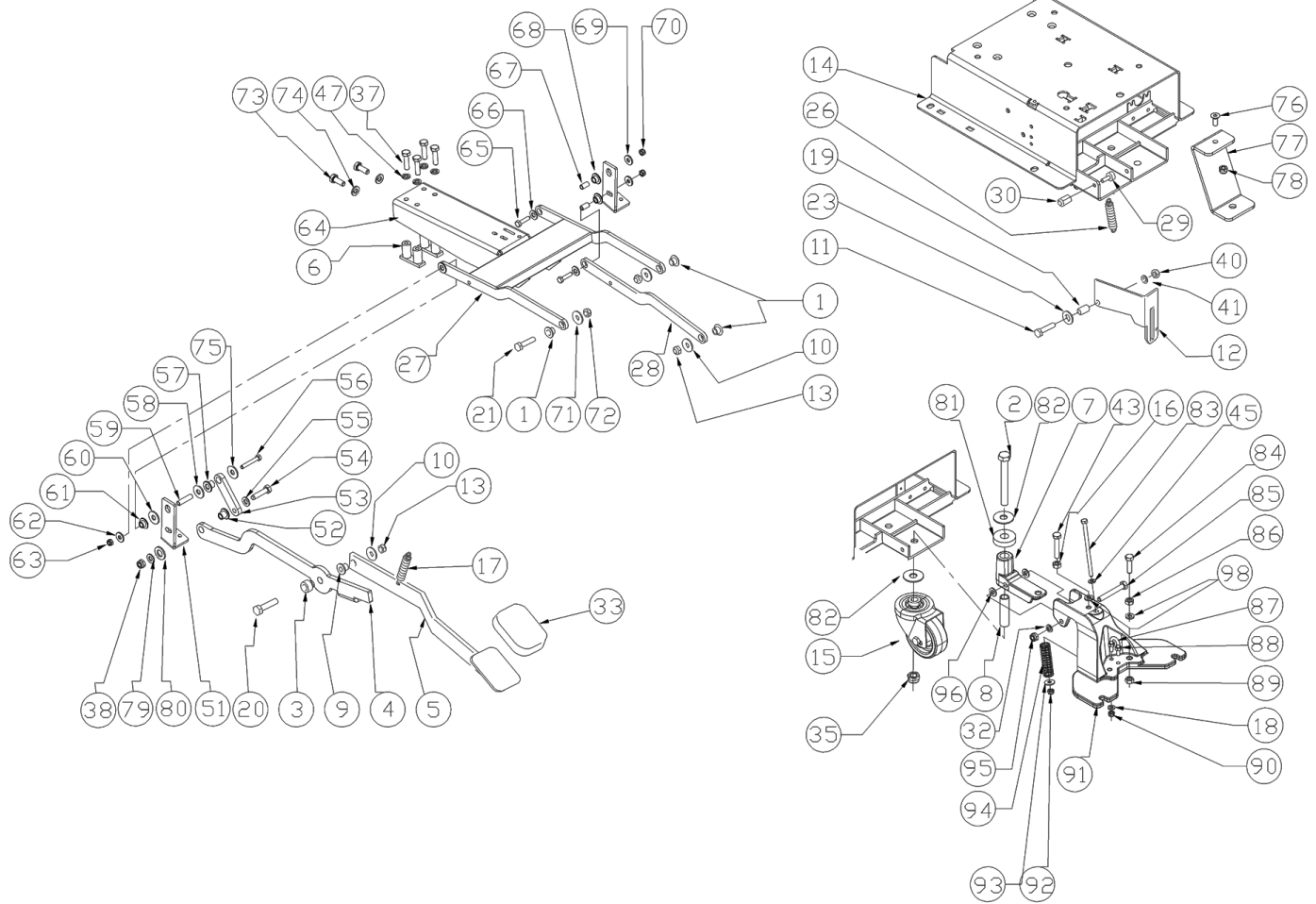
Ref.	K	Part N.	Customer Part N.	Description	Qty	Validity:		Price
						From	To	
0001	LAFN08989			SUPPORT -	1,00			--
0002	ETET01710			LABEL -	1,00			--
0003	MEVR01666			KNOB POTENTIOMETER	1,00			--
0004	MECI00402			BUTTON A FUNGO	1,00			--
0006	VTDD21115			NUT M 3 INOX	1,00			--
0007	VTRS00268			WASHER D.3	5,00			--
0008	MECE00586			BOARD CT40/CT70 R 2013	1,00			--
0009	GUGO38417			GASKET PANN.COM.EXTREME	1,00			--
0011	VTVT37012			SCREW M 4X 10 TCB-TC INX	3,00			--
0012	VTRS00515			WASHER D. 4 INX	9,00			--
0013	CHVR00051			KEYS SET SPARE SCRUBBERS W.B.	1,00			--
0014	VTVT07725			SCREW TE 5X16 UNI5739 INX	2,00			--
0015	LAFN05904			PLATE MICRO LEVA	1,00			--
0016	VTRS00516			WASHER D. 5 INX	2,00			--
0017	VTDD01693			NUT M 5 INX	4,00			--
0018	VTRS21116			WASHER D. 3 INX	2,00			--
0019	MECI00403			CONTACT -	1,00			--
0020	MLML00203			SPRING -	1,00			--
0021	VTVT01316			SCREW TC+ M3-16	2,00			--
0022	MECI36393			MICROSWITCH TRZ. DRW	1,00			--
0025	VTRS21116			WASHER D. 3 INX	4,00			--
0027	VTDD21115			NUT M 3 INOX	4,00			--
0030	VTDD15925			NUT M 4 INX	1,00			--
0031	VTVT00704			SCREW TE M 4X 16 UNI5739 INOX	1,00			--
0032	MECI00516			SENSOR DI LIVELLO ORIZZONTALE	2,00			--
0033	FSVR00099			CLAMP FERMATUBO	1,00			--
0034	MPVR00043			CAP CHIUS.FORO PORTAFUS.L 15	1,00			--
0036	MECI30499			SWITCH 10A - 250VAC	1,00			--
0037	MEVR01975			RUBBER DEVIATORE	1,00			--
0038	MEVR01707			CONNECTOR -	1,00			--
0039	VTDD08634			NUT M2	2,00			--
0040	MECI00334			MICROSWITCH V4	1,00			--
0041	LAFN06409			SUPPORT -	1,00			--
0042	VTVT00671			SCREW TC- M.2-16 OTTONE	2,00			--
0043	VTVT00872			SCREW TSP+ 2.9X13 AUTOFIL. INOX	1,00			--
0044	VTVT00814			SCREW TE M.4-25	2,00			--
0045	VTVT00722			SCREW -	3,00			--
0046	VTRS21116			WASHER D. 3 INX	4,00			--
0047	VTRS15913			WASHER D. 4 GROVER A2 UNI1751	2,00			--



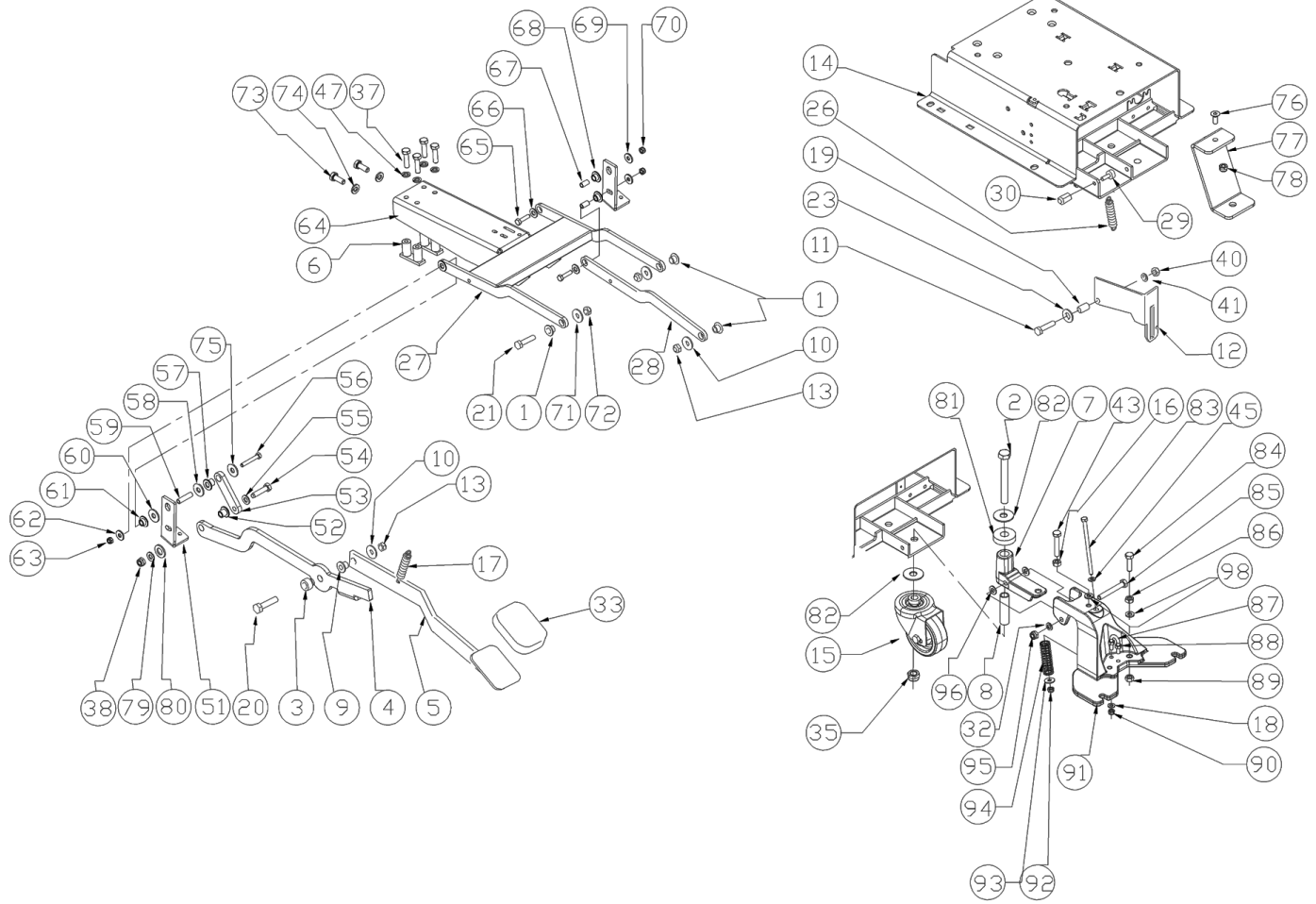
Ref.	K	Part N.	Customer Part N.	Description	Qty	Validity:		Price
						From	To	
0049		FSVR00099		CLAMP FERMATUBO	1,00			--
0050		MEVR34820		WIRING B 450 BT	1,00			--
0051		MECB01334		WIRING CT40-55-70 BT	1,00		03/2016	--
0051		MECB01374		WIRING CT40-55-70 RULLI	1,00	03/2016		--
0053		MECB01127		CABLE -	1,00			--
0054		LAFN35588		BATTERY SUPPORTLAV. BT	1,00			--
0056		MEVR01428		FUSE A LAMA 2 A. UNIVAL	1,00			--
0057		MEVR02061		FUSE 80A	1,00		12/2015	--
0057		MEVR02105		FUSE 50A OMEGA FT3050	1,00	01/2016		--
0058		MEVR02060		FUSE 40A	2,00			--
0059		METT00085		CONTACTOR 100A	1,00			--
0060		MECE00574		BOARD CT40-70-90	1,00			--
0061		MECI00005		RELAY 24V 10/20A	1,00			--
0062		VTDD01694		NUT M6 INOX	1,00			--
0063		VTRS00245		WASHER D.6 UNI 6592 INOX	1,00			--
0064		VTVT00654		SCREW TC+ M.3-20	4,00			--
0074		MECE00491		BOARD 40ECS CURRENT READER LED	1,00			--
0076		MPVR04693		RUBBER FUGGISCOSSA	1,00			--
0077		VTDD01694		NUT M6 INOX	1,00			--
0078		VTRS00245		WASHER D.6 UNI 6592 INOX	1,00			--
0079		VTVT15143		SCREW TE 6X16 UNI5739	1,00			--
0080		VTVT01676		SCREW TSTC UNI 7688 M6X16	1,00			--
0082		GUGO00460		MOUSSE 20x15x18	1,00	05/2015		--



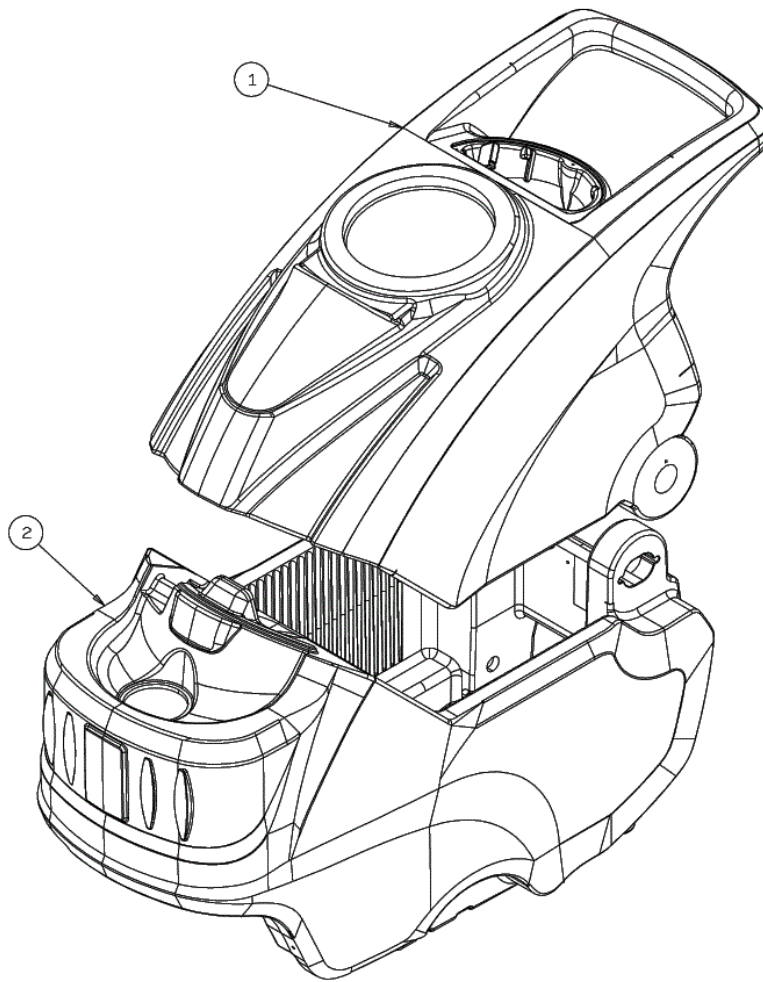
Ref.	K	Part N.	Customer Part N.	Description	Qty	Validity:		Price
						From	To	
0001		LAFN06391		BUSHING PARALLELOGRAMMA	6,00			--
0002		VTVT00285		SCREW TE M12X110	1,00			--
0003		LAFN04190		BUSHING PARALLELOGR.TEST.GR.	1,00			--
0004		LAFN07593		BRACKET LIFTING BRUSH HEAD	1,00			--
0005		LAFN07602		LEVER -	1,00		04/2013	--
0005		LAFN09270		PEDALE -	1,00	04/2013		--
0006		LAFN07603		BRACKET -	2,00			--
0007		MFVR00226		SUPPORT SQUEEGEE	1,00			--
0008		LAFN09006		PIN -	1,00			--
0009		LAFN51068		BUSHING LEVA POSTER.	1,00			--
0010		VTRS13946		WASHER D. 8 X24 INX UNI 6593	2,00			--
0011		VTVT00161		SCREW TE M6X20	1,00			--
0012		LAFN10124		PLATE -	1,00			--
0013		VTDD01695		NUT M 8 INX	3,00			--
0014		LAFN07606		BASE -	1,00			--
0015		RTRT00395		WHEEL CASTOR D.80X25 PU	1,00			--
0016		VTDD15521		NUT M 8 INX A2 UNI 5588	1,00			--
0017		MLML34726		SPRING TR E350 N	1,00			--
0018		VTRS00245		WASHER D.6 UNI 6592 INOX	2,00			--
0019		LAFN03840		BUSHING -	1,00			--
0020		VTVT15917		SCREW TE M 8X50 INOX A2 UNI	1,00			--
0021		VTVT15907		SCREW TE 8X25 UNI5739 INX	3,00			--
0023		VTRS00274		WASHER NYLON 66 D.8,4-17-2 UNI	1,00			--
0026		MLML00303		SPRING REGISTRAZIONE FLAP	1,00			--
0027		LAFN07563		ARM -	1,00			--
0028		LAFN06389		ARM PARALLELOGRAMMA	1,00			--
0029		MPVR75799		FOOT 20x9 M 6x18	1,00			--
0032		VTRS13947		WASHER D. 8 INX UNI 6592	1,00			--
0033		MPVR05186		COVERING -	1,00			--
0035		VTDD00176		NUT M.12 INOX A2 BASSO AUTOB.	1,00			--
0037		VTVT15907		SCREW TE 8X25 UNI5739 INX	4,00			--
0038		VTDD01695		NUT M 8 INX	1,00			--
0040		VTDD01694		NUT M6 INOX	5,00			--
0041		VTRS00245		WASHER D.6 UNI 6592 INOX	1,00			--
0043		VTVT15371		SCREW TE M 8X45 INOX A2 UNI	1,00			--
0045		VTRS00245		WASHER D.6 UNI 6592 INOX	1,00			--
0047		VTRS15146		WASHER D. 8 INX GRW UNI 1751	4,00			--
0051		LAFN07634		BRACKET -	2,00			--
0052		LAFN51068		BUSHING LEVA POSTER.	1,00			--



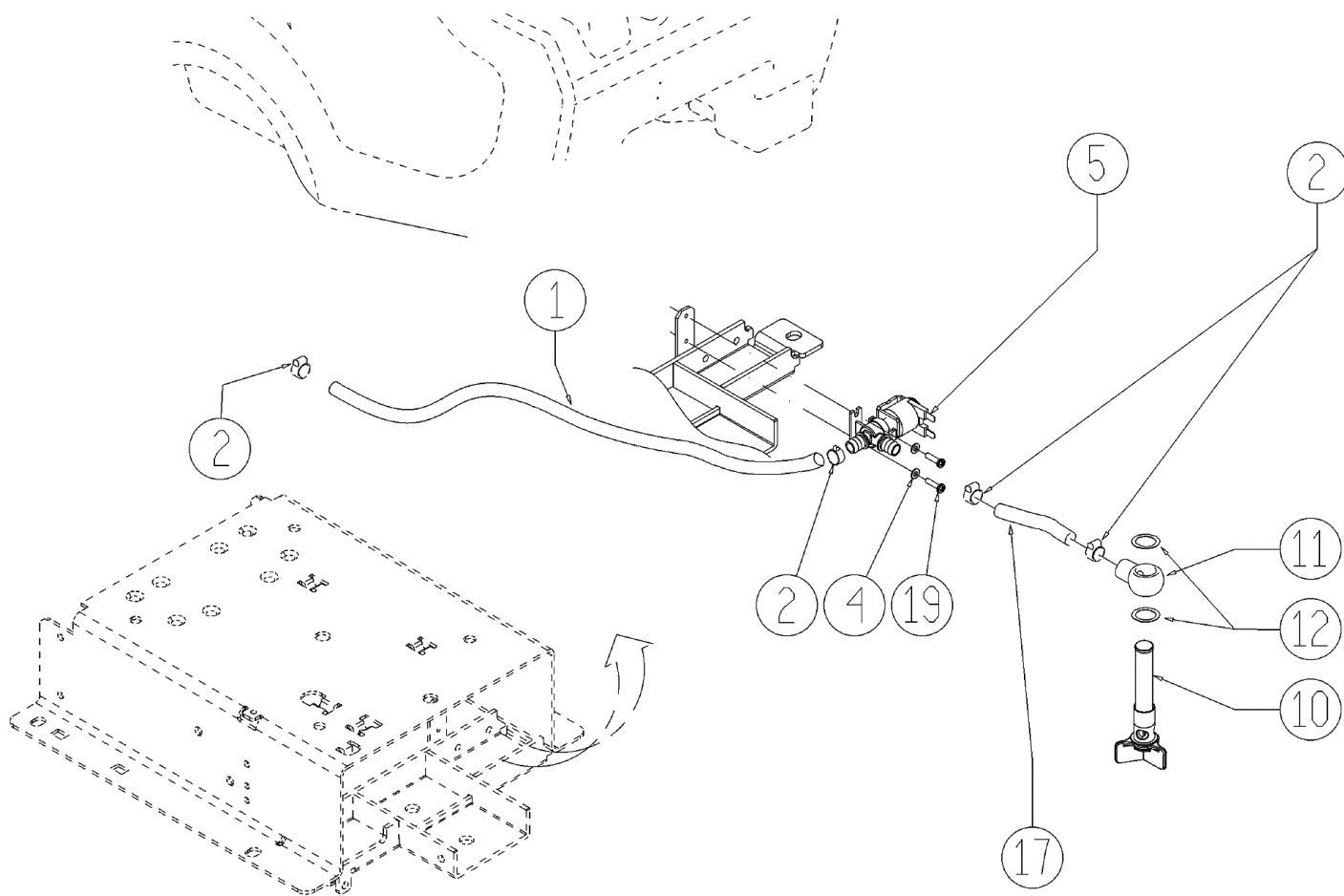
Ref.	K	Part N.	Customer Part N.	Description	Qty	Validity:		Price
						From	To	
0053		LAFN07638		LEVER -	1,00			--
0054		VTVT00410		SCREW TE M8x35 UNI5739 INOX	1,00			--
0055		VTRS13947		WASHER D. 8 INX UNI 6592	1,00			--
0056		VTVT15145		SCREW TE 6X40 UNI5739 INX	1,00			--
0057		LAFN51068		BUSHING LEVA POSTER.	1,00			--
0058		VTRS13946		WASHER D. 8 X24 INX UNI 6593	1,00			--
0059		LAFN06735		SPACER 6-8 H31.5	1,00			--
0060		VTRS13946		WASHER D. 8 X24 INX UNI 6593	1,00			--
0061		LAFN06391		BUSHING PARALLELOGRAMMA	1,00			--
0062		VTRS13945		WASHER D. 6X18 INX UNI 6593	1,00			--
0063		VTDD01694		NUT M6 INOX	1,00			--
0064		LAFN07635		BRACKET -	1,00			--
0065		VTVT15141		SCREW TE M 6X 25 UNI 5739 INX	2,00			--
0066		VTRS13945		WASHER D. 6X18 INX UNI 6593	2,00			--
0067		LAFN06898		SPACER 6-8 h15	2,00			--
0068		LAFN06391		BUSHING PARALLELOGRAMMA	2,00			--
0069		VTRS13945		WASHER D. 6X18 INX UNI 6593	2,00			--
0070		VTDD01694		NUT M6 INOX	2,00			--
0071		VTRS13946		WASHER D. 8 X24 INX UNI 6593	1,00			--
0072		VTDD01695		NUT M 8 INX	1,00			--
0073		VTVT15143		SCREW TE 6X16 UNI5739	2,00			--
0074		VTRS15144		WASHER D. 6 INX GRW UNI 1751	2,00			--
0075		VTRS13945		WASHER D. 6X18 INX UNI 6593	1,00			--
0076		VTVT00224		SCREW	1,00			--
0077		LAFN06860		BRACKET CT70	1,00			--
0078		VTDD01695		NUT M 8 INX	1,00			--
0079		VTRS13947		WASHER D. 8 INX UNI 6592	1,00			--
0080		VTRS15978		WASHER D.12X24 UNI 6592 INX	1,00			--
0081		MPVR06069		WASHER 15X40	1,00			--
0082		VTRS09142		WASHER D.12 X 36	2,00			--
0083		VTVT01008		SCREW 6X110	1,00			--
0084		VTVT13937		SCREW TE M 8X 30 INX UNI 5739	1,00			--
0085		VTVT01009		SCREW 8X60	1,00			--
0086		VTDD15521		NUT M 8 INX A2 UNI 5588	1,00			--
0087		LAFN09231		BRACKET M6X11X29	1,00			--
0088		VTDD00053		NUT M6 INOX UNI5589	2,00			--
0089		VTDD15521		NUT M 8 INX A2 UNI 5588	1,00			--
0090		VTDD01694		NUT M6 INOX	1,00			--
0091		MFVR00227		SUPPORT SQUEEGEE	1,00			--



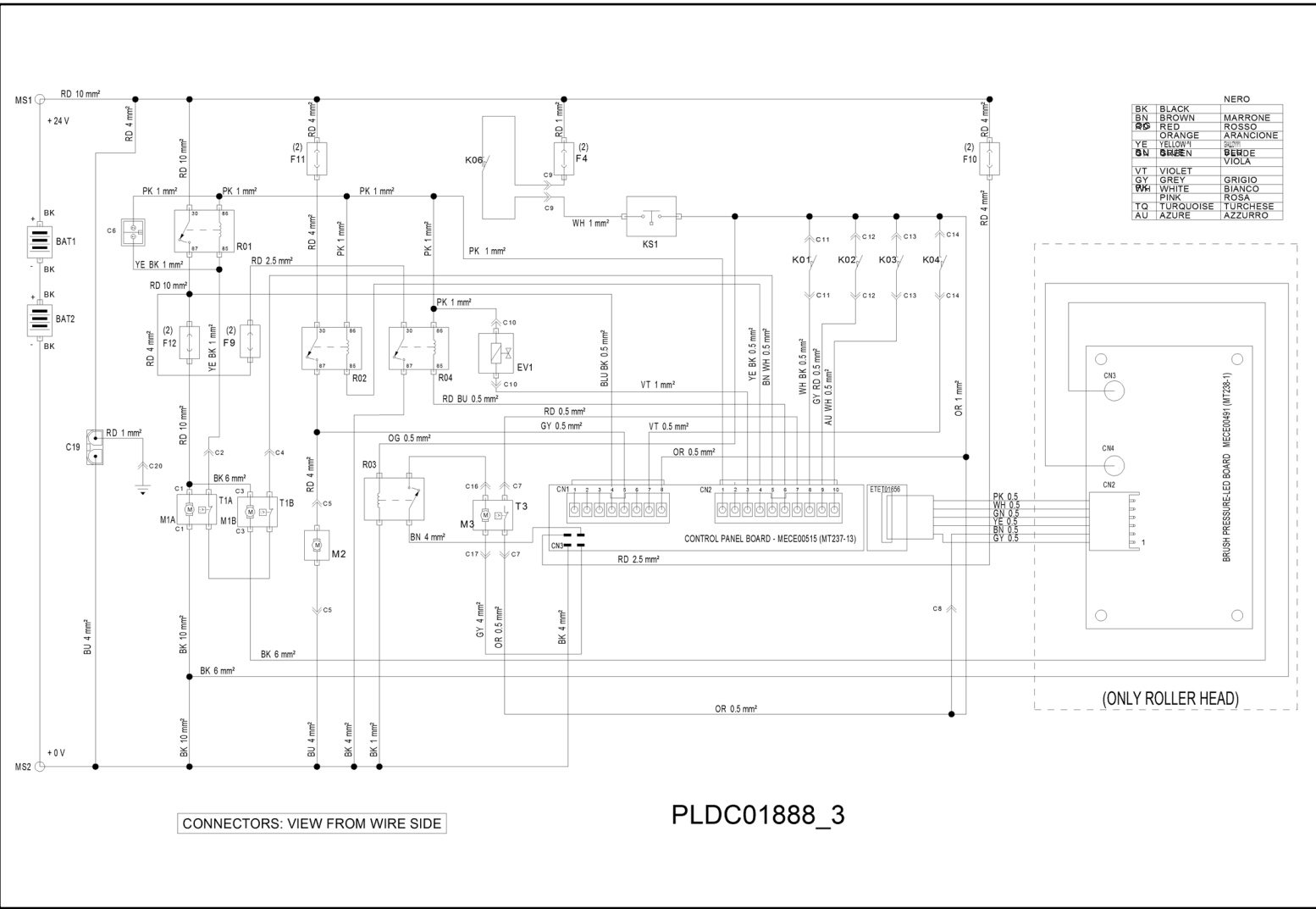
Ref. K	Part N.	Customer Part N.	Description	Qty	Validity:		Price
					From	To	
0092	VTDD01694		NUT M6 INOX	1,00			--
0093	VTRS13945		WASHER D. 6X18 INX UNI 6593	1,00			--
0094	MLML00338		SPRING -	1,00			--
0095	VTDD01695		NUT M 8 INX	1,00			--
0096	VTRS00274		WASHER NYLON 66 D.8,4-17-2 UNI	2,00			--
0098	VTRS15146		WASHER D. 8 INX GRW UNI 1751	2,00			--



Ref. K	Part N.	Customer Part N.	Description	Qty	Validity:		Price
					From	To	
0001	MPVR04997		TANK RECOVERY CT50	1,00			--
0002	MPVR04996		TANK SOLUTION CT55	1,00			--



Ref.	K	Part N.	Customer Part N.	Description	Qty	Validity:		Price
						From	To	
0001		TBFX48011		TUBE FLEX D.12X3 ARMORV.PVC TR	1,05			--
0002		FSVR00428		CLAMP D. 12-20	4,00			--
0004		VTRS00515		WASHER D. 4 INX	2,00			--
0005		MEEV00036		SOLENOID VALVE HOLE 8mm CLEANTIME	1,00			--
0010		MPVR05221		FILTER COMPLETO	1,00		02/2013	--
0010		MPVR06303		FILTER CT40-70-90	1,00	02/2013		--
0011		LAFN07783		CONNECTOR -	1,00			--
0012		VTRS00567		WASHER 1/2	2,00			--
0017		TBFX48011		TUBE FLEX D.12X3 ARMORV.PVC TR	0,17			--
0019		VTVT01158		SCREW M4x16	2,00			--



Ref.	K	Part N.	Customer Part N.	Description	Qty	Validity:		Price
						From	To	
EV1		MEEV00036		SOLENOID VALVE HOLE 8mm CLEANTIME	1,00			--
F04		MEVR01428		FUSE A LAMA 2 A. UNIVAL	1,00			--
F09		MEVR02060		FUSE 40A	1,00			--
F10		MEVR02104		FUSE -	1,00			--
F11		MEVR02060		FUSE 40A	1,00			--
F12		MEVR02105		FUSE 50A OMEGA FT3050	1,00			--

COMPONENTS

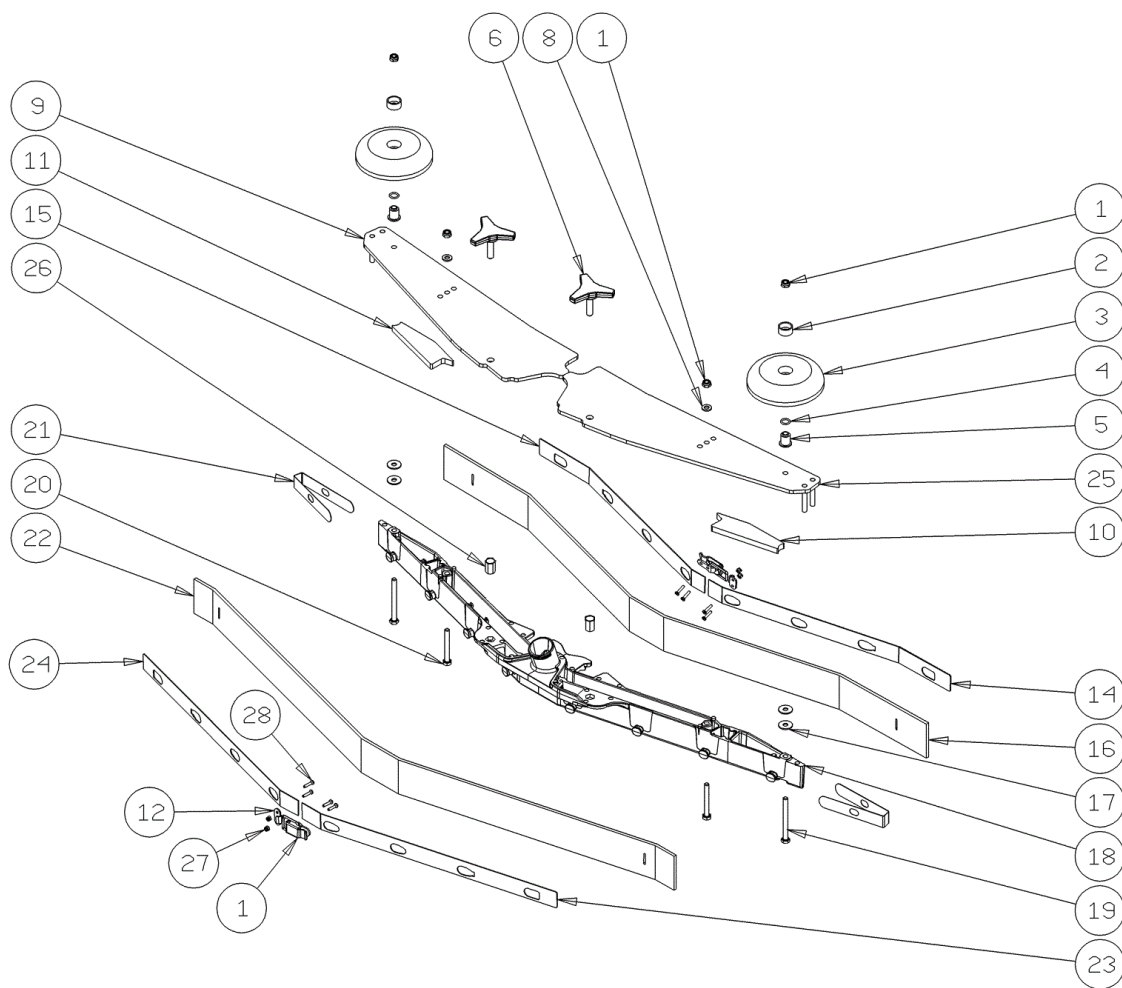
(3)(2)	F12	FUSE- BRUSH MOTORS (50 A) [80A ROLLER HEAD]	FUSIBILE SPAZZOLE POTENZA (50 A) [80A ROLLER]
(2)	F11	FUSE-VACUUM MOTOR (40 A)	FUSIBILE ASPIRATORE POTENZA (40 A)
(2)	F10	FUSE-TRACTION MOTORS (30 A)	FUSIBILE MOTORE TRAZIONE (30 A)
(2)	F9	FUSE-BRUSHES RELEASE (40 A)	FUSIBILE SGANCIO SPAZZOLE (40 A)
(2)	F4	FUSE-CONTROL PANEL (2 A)	FUSIBILE PLANCIA (2 A)
	R01	RELAY- BRUSH MOTORS	TELERUTTORE SPAZZOLE
	R02	RELAY- VACUUM MOTOR	RELE' ASPIRATORE
	R03	RELAY- TRACTION MOTOR	RELE' MOTORE TRAZIONE
	R04	RELAY- BRUSH RELEASE	RELE' SCANCIO SPAZZOLE
	EV1	ELECTRO-VALVE	ELETTROVALVOLA ACQUA
	KS1	GENERAL KEY	CHIAVE AVVIAMENTO
	K01	SWITCH- HAND LEVER	INTERRUTTORE LEVA TRAZIONE
	K02	SWITCH- RECOVERY TANK LEVEL (MAX)	LIVELLO TROPPO PIENO (N.O.)
	K03	SWITCH- SOLUTION TANK LEVEL (MIN)	LIVELLO MINIMO SERBATOIO (N.O.)
	K04	SWITCH- FORWARD / REWARD	INTERRUTTORE MARCIA AVANTI INDIETRO
	K06	SWITCH- BATTERY RECHARGE SAFETY	MICRO SICUREZZA RICARICA BATTERIE
	M1A	MOTOR- BRUSH 1	MOTORE SPAZZOLA -1
	M1B	MOTOR- BRUSH 2	MOTORE SPAZZOLA -2
	M2	MOTOR- VACUUM	MOTORE ASPIRATORE
	M3	MOTOR- TRACTION	MOTORE TRAZIONE
	T1A	THERMIC SWITCH BRUSH MOTOR 1	TERMICA MOTORE SPAZZOLA -1
	T1B	THERMIC SWITCH BRUSH MOTOR 2	TERMICA MOTORE SPAZZOLA -2
	T3	THERMIC SWITCH TRACTION MOTOR	TERMICA MOTORE TRAZIONE

COMPONENTS

MS1	CONNECTOR- BATTERY POSITIVE	MORSETTO BATTERIA POSITIVO
MS2	CONNECTOR- BATTERY NEGATIVE	MORSETTO BATTERIA NEGATIVO
C1	CONNECTOR- BRUSH MOTOR 1	CONN. MOTORE SPAZZOLA -1
C2	CONNECTOR- THERMIC SW. BRUSH MOTOR 1	CONN. TERMICA MOTORE SPAZZOLA -1
C3	CONNECTOR- BRUSH MOTOR 2	CONN. MOTORE SPAZZOLA -2
C4	CONNECTOR- THERMIC SW. BRUSH MOTOR 2	CONN. TERMICA MOTORE SPAZZOLA -2
C5	CONNECTOR- VACUUM MOTOR	CONN. MOTORE ASPIRAZIONE
C6	CONNECTOR- "CHEM DOSE" ACCESSORY	CONN. CHEM-DOS
C7	CONNECTOR THERMIC SWITCH-TRACTION MOTOR	CONN. TERMICA MOTORE TRAZIONE
C8	CONNECTOR- PRESSURE BOARD	CONN. POSITIVO SCHEDA PRESSIONE
C9	CONNECTOR- BATTERY RECHARGE SAFETY	CONN.SICUREZZA RICARICA BATTERIE
C10	CONNECTOR- BOARD/ ELECTROVALVE	CONN. E.V. H2O DA SCHEDA ELETTRONICA
C11	CONNECTOR- HAND LEVER	CONN. LEVA TRAZIONE
C12	CONNECTOR- RECOVERY TANK LEVEL (MAX)	CONN. LIVELLO TROPPO PIENO
C13	CONNECTOR- SOLUTION TANK LEVEL (MIN)	CONN. LIVELLO MINIMO
C14	CONNECTOR- FORWARD / REWARD	CONN. SELETORE MARCIA
C15	CONNECTOR- EXTERNAL BATT.CHARGER	CONN. MICRO C.B. ESTERNO
C16	CONNECTOR- TRACTION MOTOR	CONN. MOTORE TRAZIONE
C17	CONNECTOR- TRACTION MOTOR	CONN. MOTORE TRAZIONE
C19	CONNECTOR- BATTERY RECHARGE	SPINA ANDERSON RICARICA BATTERIE
C20	RING TERMINAL Ø8	CAPICORDA CON OCCHIELLO Ø8
CN1	CONNECTOR- CONTROL PANEL BOARD	CONN. 1 SCHEDA PLANCIA
CN2	CONNECTOR- CONTROL PANEL BOARD	CONN. 2 SCHEDA PLANCIA
CN3	CONNECTOR- CONTROL PANEL BOARD	CONN. 3 SCHEDA PLANCIA
CN4	CONNECTOR- CONTROL PANEL BOARD	CONN. 4 SCHEDA PLANCIA

PLDC01888_3

Ref.	K	Part N.	Customer Part N.	Description	Qty	Validity:		Price
						From	To	
EV1		MEEV00036		SOLENOID VALVE HOLE 8mm CLEANTIME	1,00			--
F04		MEVR01428		FUSE A LAMA 2 A. UNIVAL	1,00			--
F09		MEVR02060		FUSE 40A	1,00			--
F10		MEVR02104		FUSE -	1,00			--
F11		MEVR02060		FUSE 40A	1,00			--
F12		MEVR02105		FUSE 50A OMEGA FT3050	1,00			--



Ref.	K	Part N.	Customer Part N.	Description	Qty	Validity:		Price
						From	To	
0001		LAFN09302		CLOSURE -	2,00	09/2013		--
0002		MPVR49229		BUSHING SHK	2,00			--
0003		MPVR05290		ROLLER PARACOLPI	2,00			--
0004		GUGO00164		GASKET	2,00			--
0005		LAFN04100		SPACER PER RUOTINO PARACOLPI	2,00			--
0006		MPVR06003		KNOB AISI 304	2,00		03/2013	--
0006		MPVR06004		KNOB AISI 304	2,00	03/2013		--
0008		VTRS00245		WASHER D.6 UNI 6592 INOX	2,00			--
0009		LAFN09012		PLATE -	1,00			--
0010		GUVR00301		GASKET -	1,00			--
0011		GUVR00300		GASKET -	1,00			--
0012		LAFN09301		SOCKET -	2,00	09/2013		--
0014		LAFN08948		BRACKET -	1,00		09/2013	--
0014		LAFN09279		SHEET METAL PA.-	1,00	09/2013		--
0015		LAFN08949		BRACKET -	1,00		09/2013	--
0015		LAFN09280		SHEET METAL PA.-	1,00	09/2013		--
0016		MPVR08039		BLADE S LATEX	1,00			--
0017		VTRS13945		WASHER D. 6X18 INX UNI 6593	4,00			--
0018		KTRI02048		BODY SQUEEGEE PRESSOFUSO "S"	1,00			--
0019		VTVT00841		SCREW TE M 6X65 UNI 5739 INX	2,00			--
0020		VTVT15515		SCREW TE M 6X 50 INOX A2	2,00			--
0021		MPVR05897		CLOSURE S	2,00			--
0022		MPVR08035		BLADE S LATEX	1,00			--
0023		LAFN08950		BRACKET -	1,00		09/2013	--
0023		LAFN09281		SHEET METAL PA.-	1,00	09/2013		--
0024		LAFN08951		BRACKET -	1,00		09/2013	--
0024		LAFN09283		SHEET METAL PA.-	1,00	09/2013		--
0025		LAFN09013		PLATE -	1,00			--
0026		VTVR00565		INSERT -	2,00			--
0027		VTDD00210		NUT M 3 AUTOBL.DIN 985 IX.A2	8,00	09/2013		--
0028		VTVT01070		SCREW TSTC M3X8	8,00	09/2013		--