

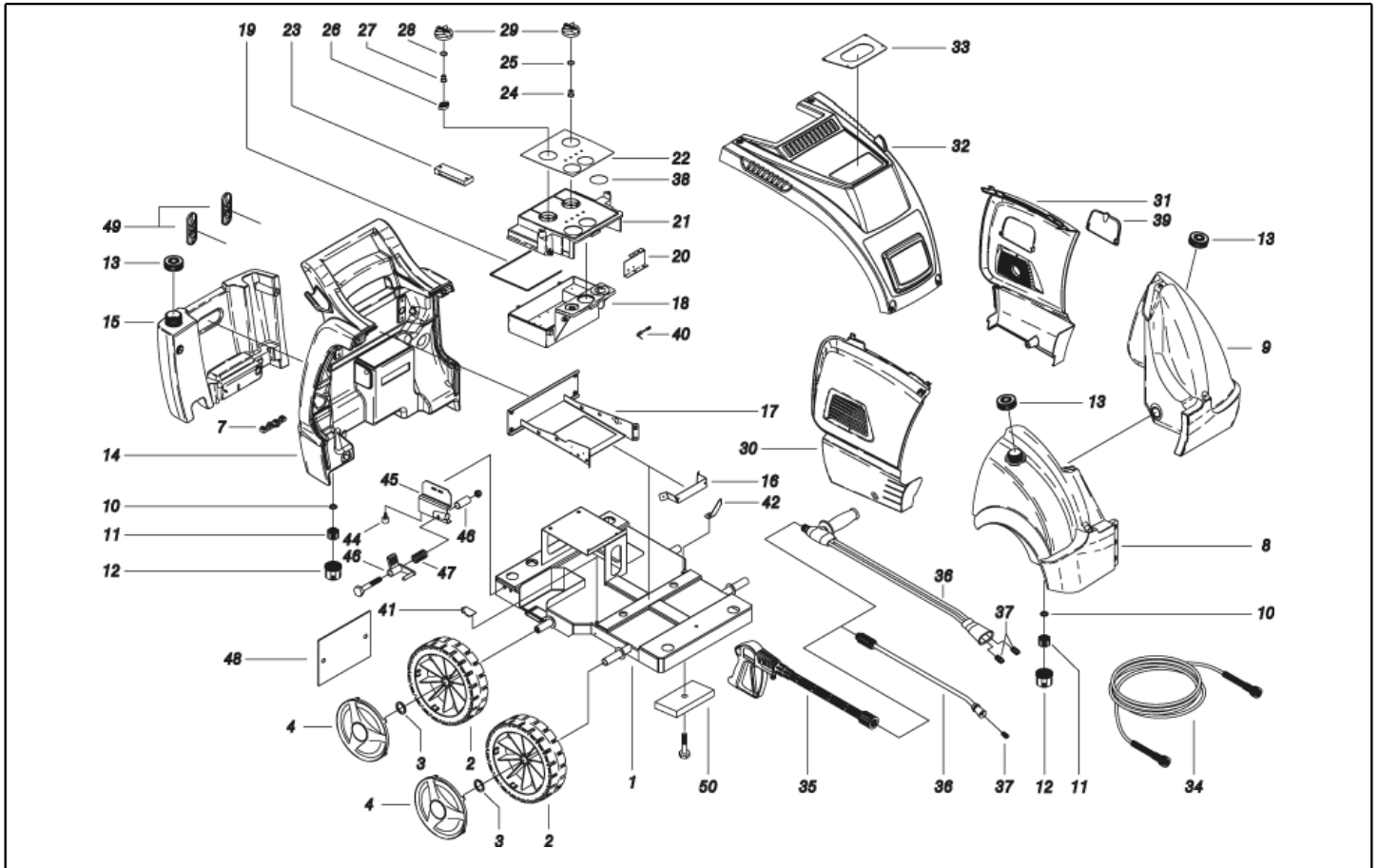


IPC

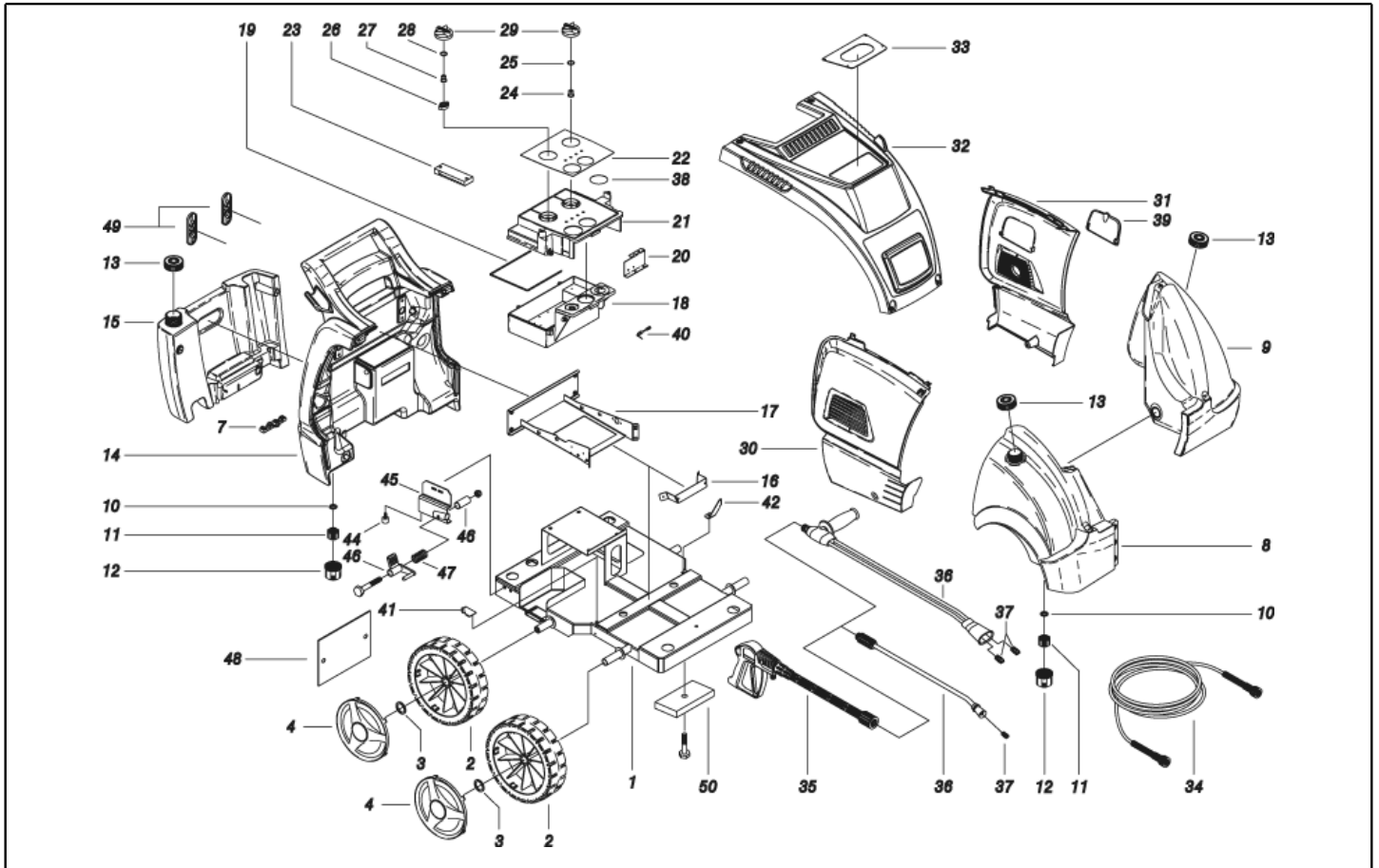
Spare parts list

Ref: IDAC40458

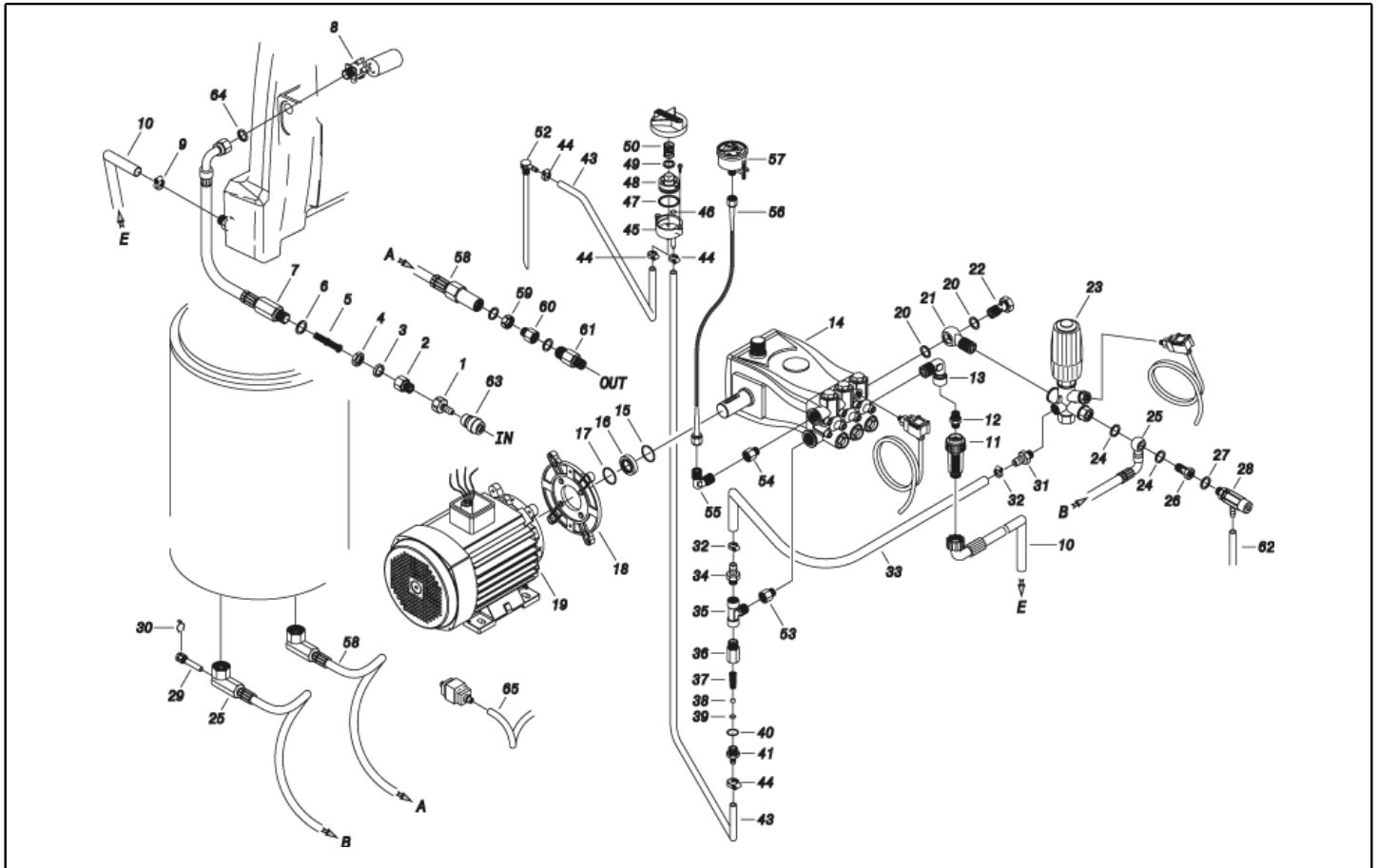
Model: H.P. CLEANER PW-H40/4D2017T 400/50 IPC



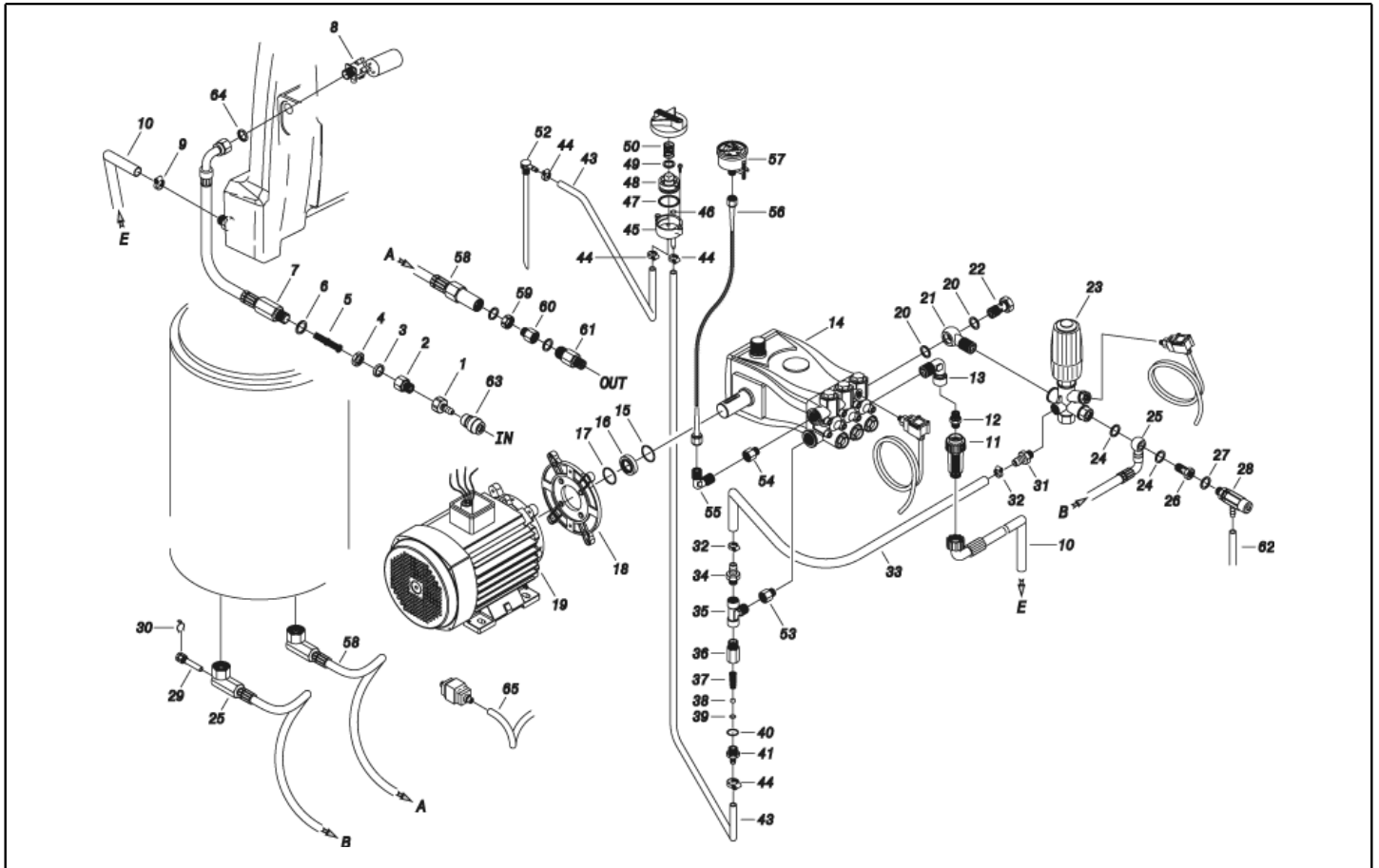
Ref. K	Part n.	Customer part n.	Description	Quantity	Validity		Price
					From	To	
0001	LAFN40522		CHASSIS P176/7.5-4W	1,00			--
0002	RTRT45383	00045383	WHEEL D.305-D.25 RT-IPC	4,00			--
0003	VTRS09813	00009813	WASHER D.25	2,00			--
0004	MPVR40292		HUB CAP D. 305 RT-PRT GR.368C	4,00			--
0007	MEVR20906	00020906	CABLE CLAMP KSM	1,00			--
0008	MPVR47393	00047393	FUEL TANK P176-S/CTR.LIV. PEHD	1,00			--
0009	MPVR46913	00046913	TANK P176-S/CTR.LV.PEHD	1,00			--
0010	GUGO11489	00011489	GASKET D.22X1,5	2,00			--
0010	GUGO11489	00011489	GASKET D.22X1,5	2,00	22/12/2005		--
0011	PVVR11806	00011806	DISCHARGE CAP FLL	2,00			--
0011	PVVR11806	00011806	DISCHARGE CAP FLL	2,00			--
0012	MPVR20187	00020187	RING NUT M 39 X 3	2,00			--
0012	MPVR20187	00020187	RING NUT M 39 X 3	2,00			--
0013	MPVR45426	00045426	TANK CAP P176 PEHD	1,00			--
0013	MPVR45426	00045426	TANK CAP P176 PEHD	2,00			--
0014	MPVR40227		HANDLE P176-OPT C/SRB.-EN PEHD	1,00			--
0015	MPVR46752	00046752	TOOL HOLDER P176-DAY C/SRB. PEHD	1,00			--
0016	LAFN47470	00047470	SUPPORT P176-2V.	1,00			--
0017	LAFN89452		SUPPORT P176-3V.	1,00			--
0018	MPVR40419		CONTROL BOX P176-2 7.5 ABS	1,00			--
0019	GUGO33675	00033675	JOINT MOUSSE D. 4	0,97			--
0020	LAFN45827	00045827	SUPPORT BRACKET P176 BT	1,00			--
0021	MPVR47415	00047415	BOX COVER P176-2 ABS	1,00			--
0022	ETET40388		LABEL P176-175 GRN. PLC.	1,00			--
0023	MPVR33250	00033250	CABLE CLAMP COV MISTRAL	1,00			--
0024	MPVR23482	00023482	SWITCH TANG TEC. TUV	1,00			--
0025	GUGO23079	00023079	V-SEAL RING VAO014 13.5- 15.5	1,00			--
0026	MPVR41903	00041903	THICKNESS TERM.IM.PA66	1,00			--
0027	MPVR23484	00023484	TAIL PIECE THERM.KSM TUV	1,00			--
0028	GUGO25527	00025527	O-RING D. 14 X 3 NBR 70SH	1,00			--
0029	MPVR49057	00049057	BLACK KNOB P176-M.RACE PA6	3,00			--
0030	MPVR40295		LAT. PANEL P176-4W DX GR.368C	1,00			--
0031	MPVR40296		LAT. PANEL P176-4W SX GR.368C	1,00			--
0032	MPVR40288		GREEN COVER P176-OPTIMA PP GR.368C	1,00			--
0033	LAFN45454	00045454	PANEL P176-OPT INX	1,00			--
0034	TBAP25324	00025324	H.P. HOSE R1 MT 10 5/16" C/2 IRV ZC	1,00			--
0035	IPPR40010		GRIP G 5100+P.330 +M22 SW.M V	1,00		29/02/2016	--
0035	IPPR40020		GRIP G 6000+P.330 +M22 SW.M V	1,00	01/03/2016		--
0036	LCPR12976	00012976	EXTENSION P 70	1,00		30/11/2016	--
0036	LCPR40087		EXTENSION P 70 -P20.IX700 M22 M	1,00	01/12/2016		--
0037	UGLN49987	00049987	NOZZLE LECH 1/4 15045	1,00	20/04/2006		--
0038	MPVR47727	00047727	CAP P176 RES.BK	1,00			--
0039	MPVR40290		DOOR P176 PP GR.368C	1,00			--
0040	MEVR27264	00027264	FUSE-HOLDER 031-1081	2,00			--



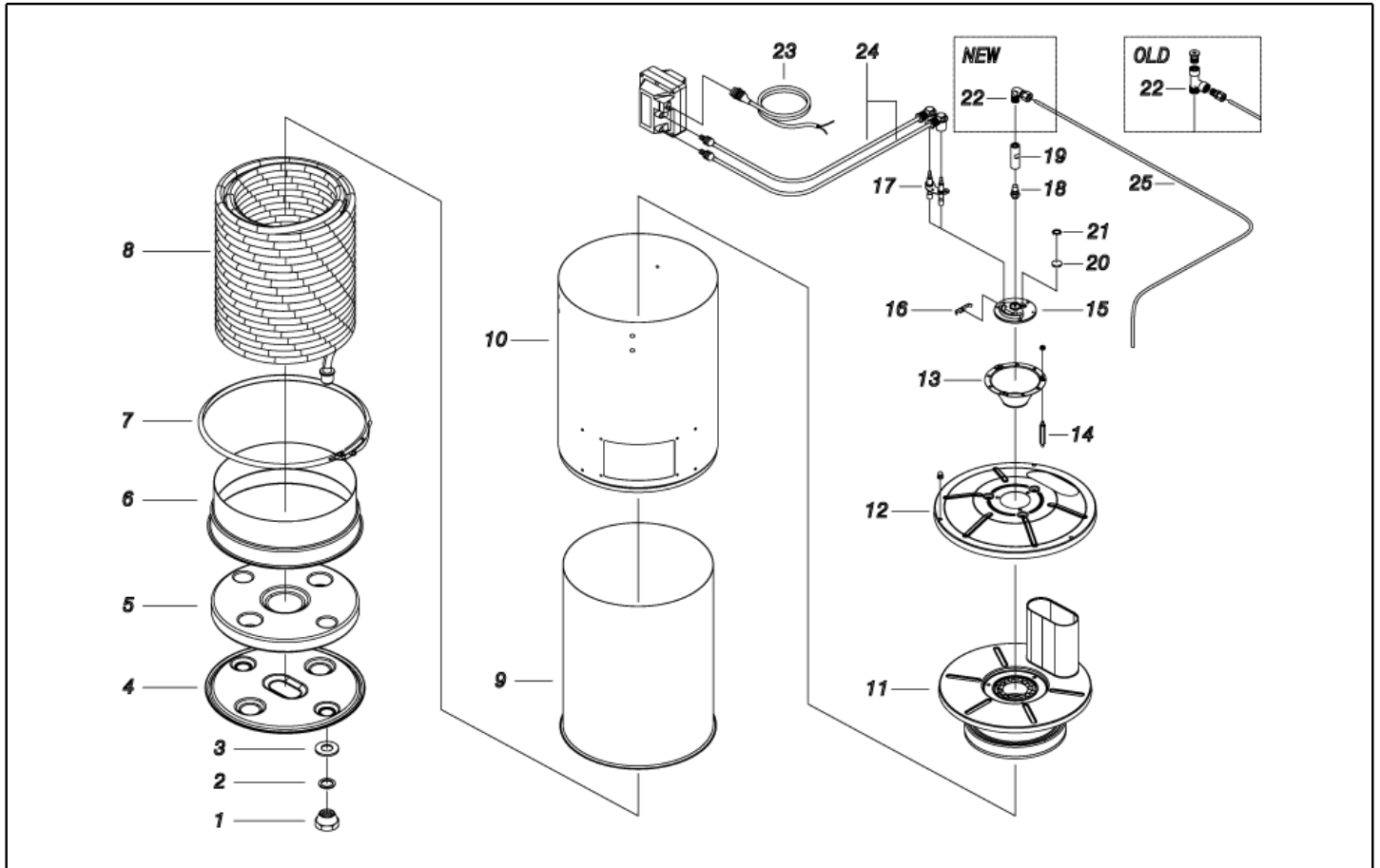
Ref. K	Part n.	Customer part n.	Description	Quantity	Validity		Price
					From	To	
0041	LAFN40526		BRACKET P176/7.5-4W DX ZC.	1,00			--
0042	LAFN40527		BRACKET P176/7.5-4W SX ZC.	1,00			--
0044	ABGO34061	00034061	VIBRATION DAMP. CL.25X17- 1M6X12 60SH NBR	1,00			--
0045	LAFN40154		BRACKET P176-4W BK.	1,00			--
0046	MPVR28178	00028178	CONTROL LEVER MTH PL.	1,00			--
0047	MLML11917	00011917	SPRING D. 14,5 X24 X2.2	1,00			--
0048	LAFN40525		SPLASH GUARD P176/7.5 ZC.	1,00			--
0049	MPVR40293		CAP P176 PP GR.368C	2,00			--
0050	LAFN40177		WEIGHT P176-4W BK.	1,00			--



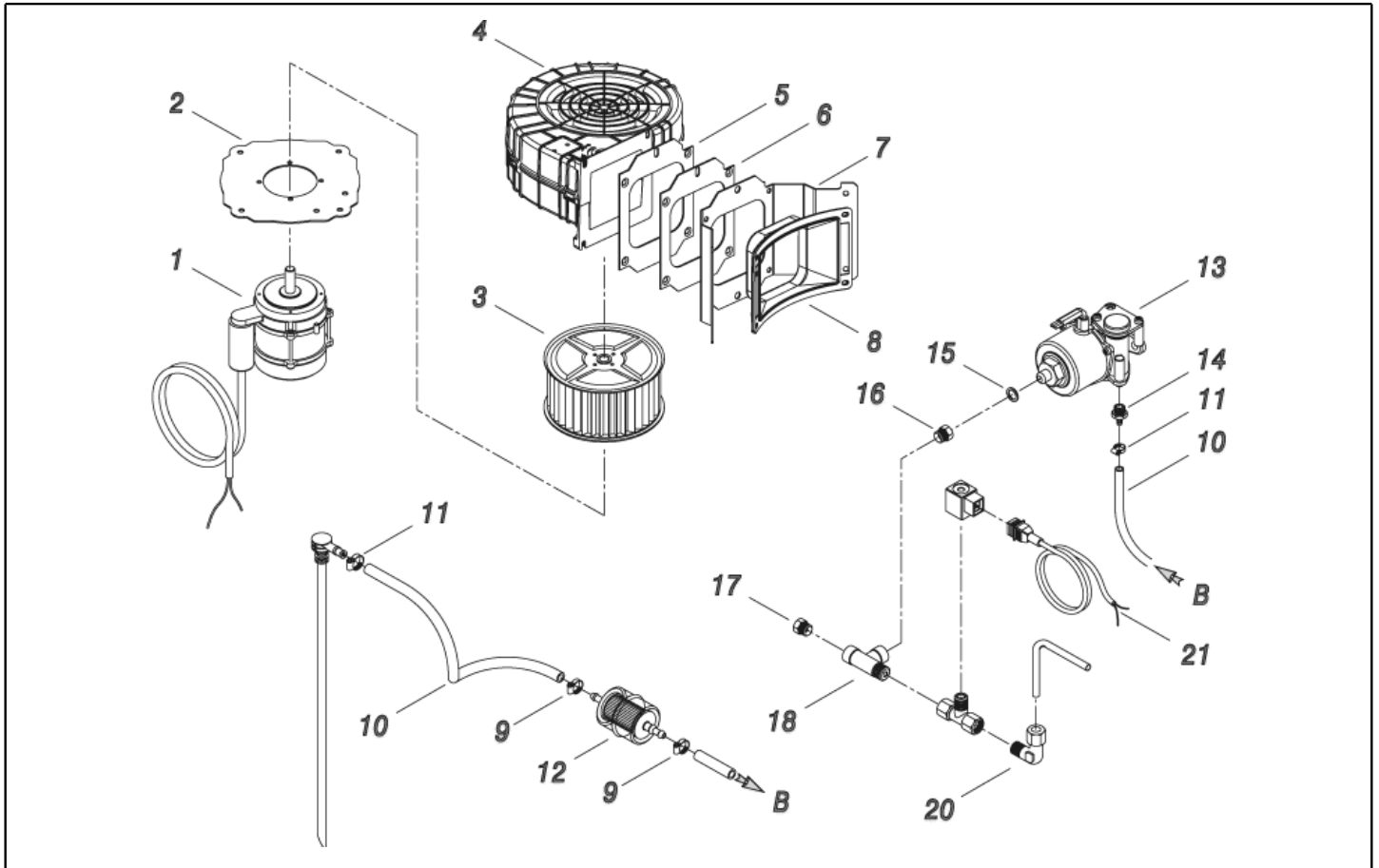
Ref. K	Part n.	Customer part n.	Description	Quantity	Validity		Price
					From	To	
0001	RCVR29602	00029602	CONNECTOR D. 1/2"-5/8" PTC	1,00			--
0002	RCVR37806	00037806	REDUCTION PTC 3/4-1/2 M/F	1,00			--
0003	GUGO37736	00037736	GASKET D. 10- 19 X 5 70SH	1,00			--
0004	RCDS49875	00049875	RING NUT 1/2"X 6 CH.27 OT.	1,00			--
0005	FTAC30214	00030214	FILTER D.15X67	1,00			--
0006	VTRS00549	00000549	WASHER D.21,5X27X1,5 (1/2) RM	1,00			--
0007	TBBP48636	00048636	L.P. HOSE L= 950 3/4F 90°- 1/2M 0°	1,00			--
0008	RCGR40005		FLOATER MTM 3/4 PP. S/F. +ADP.176	1,00			--
0009	FSVR00431	00000431	CLAMP D. 16-25	1,00			--
0010	TBBP40010		L.P. HOSE L=230 3/4F 90° -LIB.15X23	1,00			--
0011	FTAC23737	00023737	SUCTION FILTER ST 33 3/4" MF	1,00			--
0012	RCDS46146	00046146	NIPPLE 3/4 - 1/2 CB D. 7.5	1,00			--
0013	RCVR00575	00000575	ELBOW 1/2" M/F A10	1,00			--
0014	PPAP40097		PUMP RR 15.20 SX N	1,00			--
0015	GUGO21337	00021337	O-RING D. 25.07 X 2.62 VIT 70SH	1,00			--
0016	RCDS25578	00025578	BUSHING IP WW141 OT.	1,00			--
0017	GUGO21339	00021339	O-RING D. 29.82 X 2.62 VIT 70SH	1,00			--
0018	MFVR21309	00021309	COUNTERFLANGE MEC 90-100-112	1,00			--
0019	MOTR40039		3PH MOTOR 176 HP7.5 23-400/50C RR/K	1,00			--
0020	VTRS00548	00000548	WASHER D.17,5X23X1,5 (3/8)RM	2,00	15/12/2012		--
0020	VTRS12492	00012492	WASHER 3/8	2,00		14/12/2012	--
0021	RCDS03540	00003540	CONNECTOR O. 3/8 - G3/8M L= 36	1,00			--
0022	RCDS40002		SCREW G 3/8 L=32.5	1,00			--
0023	VVAZ40027		VALVE VRT3 3/8F 25MPa +PP1/4F	1,00			--
0024	VTRS12492	00012492	WASHER 3/8	2,00		30/11/2015	--
0024	VTRS40026		WASHER 3/8 ZC + NBR 85SH	2,00	01/12/2015		--
0025	TBAP40098		HOSE-FITTING 3/8 R2 L=830 3/8O.90-PM26	1,00			--
0026	RCDS07931	00007931	SCREW G 3/8 + 1/4F A.P.	1,00		31/01/2013	--
0026	RCDS40148		SCREW G 3/8 - 1/4F L=36 ZC.	1,00	01/02/2013		--
0027	VTRS40960	00040960	WASHER D.13.5X19 X4 AL.	1,00			--
0028	VVSC47427	00047427	VALVE MG 1000 G1/4M-M D.8 250B	1,00			--
0029	RCDS00593	00000593	SUMP IM 0-120 L=50	1,00			--
0030	MLML02623	00002623	SPRING IMT	1,00			--
0031	RCVR40067		HOSE FITTING 3/8 M D.10 OT.NIK	1,00			--
0032	FSVR00429	00000429	CLAMP D. 16-20 66-165	2,00			--
0033	TBCO15910	00015910	L.P. HOSE D.10-19	0,18			--
0034	RCVR40066		HOSE FITTING 1/4 M D.10 OT.NIK	1,00			--
0035	RCVR40065		CONNECTOR T 1/4 F/M/F OT.NIK	1,00			--
0036	RCDS46072	00046072	VALVE BODY N/R 1/4F-1/4 P176 OT	1,00			--
0037	MLML21505	00021505	SPRING D. 8 X5 X0.3	1,00			--
0038	SFVR04274	00004274	BALL D. 7/32	1,00			--
0039	GUGO01055	00001055	O-RING D. 5.28 X 1.78 VIT 70SH	1,00			--
0040	GUGO01036	00001036	O-RING D. 10.82 X 1.78 NBR 70SH	1,00			--
0041	RCDS10546	00010546	VALVE SEAT 1/4M + PG. D.3-7.5 OTT	1,00			--



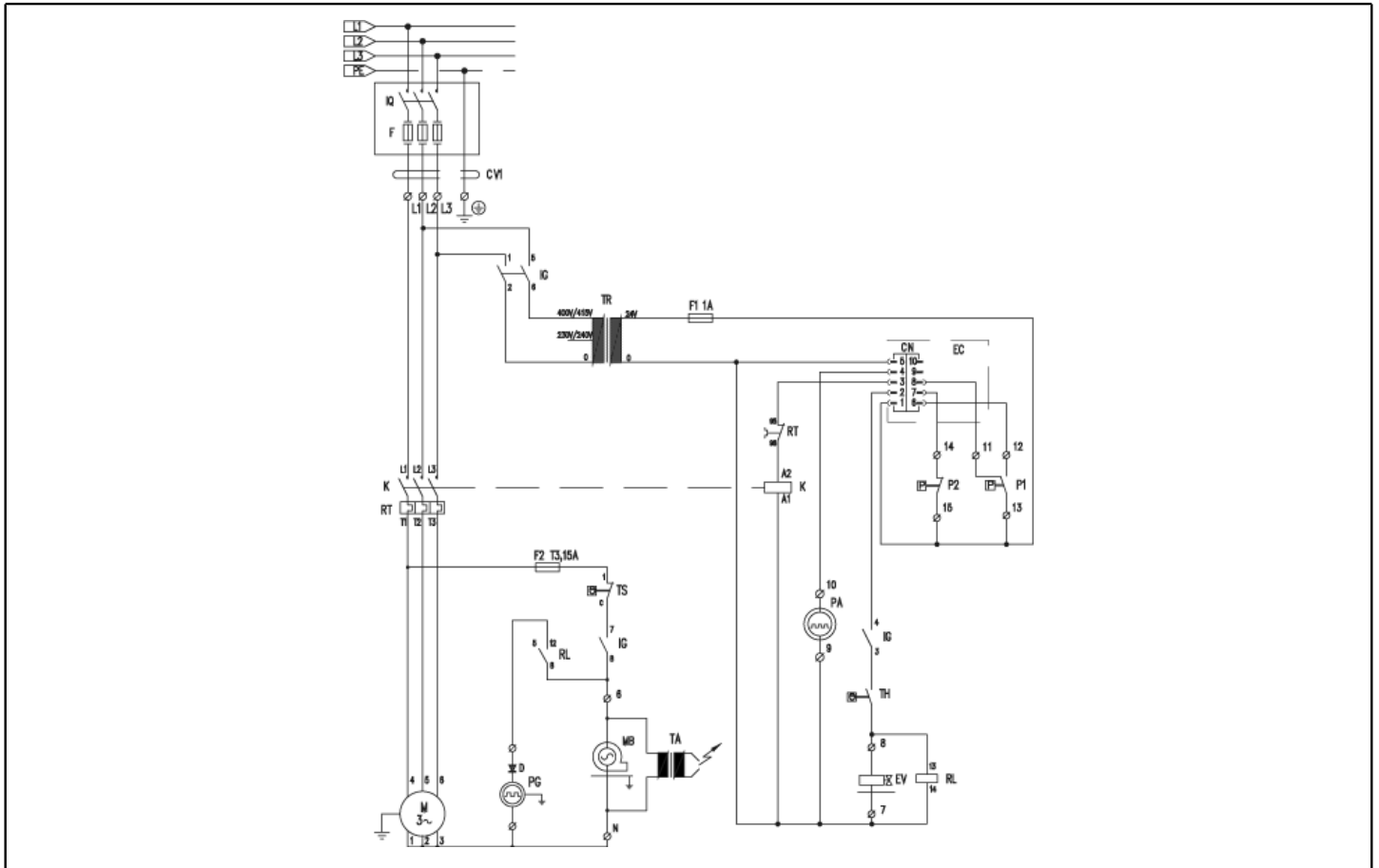
Ref. K	Part n.	Customer part n.	Description	Quantity	Validity		Price
					From	To	
0043	TBBP00051	00000051	DETERGENT HOSE D. 6-12	0,78			--
0043	TBBP00051	00000051	DETERGENT HOSE D. 6-12	1,25			--
0044	FSVR00427	00000427	CLAMP D. 12 CLIC 66-110	2,00			--
0045	RCGR08069	00008069	TAP BODY DET. PRT	1,00			--
0046	GUGO08071	00008071	O-RING D. 4.48 X 1.78 NBR 70SH	1,00			--
0047	GUGO12183	00012183	O-RING D. 23.4 X 3.53 VIT 70SH	1,00			--
0048	RCGR08070	00008070	ADJUSTER PRT	1,00			--
0049	VTRS00542	00000542	WASHER D.14X20	1,00			--
0050	MLML08068	00008068	SPRING D.1,5 L.23	1,00			--
0052	RCDS46087	00046087	SUCTION L=400 CPL	2,00			--
0053	RCVR02606	00002606	REDUCTION 1/2-1/4 M/F	1,00			--
0054	RCVR02607	00002607	REDUCTION 3/8-1/4 M/F	1,00			--
0055	RCVR40091		ELBOW 1/4" 45° M/M NIK.	1,00			--
0056	TBAP40004		POLYAMIDE HOSE L=260 1/4 F-F	1,00			--
0057	MNMN49621	00049621	PRESSURE GAUGE 0-250 D.50 INOX	1,00			--
0058	TBAP46228	00046228	HOSE-FITTING 3/ 8 VP L=485 M26+3/8F-P.	1,00			--
0059	RCDS21120	00021120	RING NUT M 26 X 1,5	1,00			--
0060	RCDS01374	00001374	SLEEVE 3/8 M/F L40/52	1,00			--
0061	RCIN09348	00009348	MALE COUPLING 3/8MA L=32	1,00			--
0062	TBBP93804		L.P. HOSE D. 6- 9	0,70			--
0063	RCVR29600	00029600	SOCKET PTC 3/4 F	1,00			--
0064	RCVR49974	00049974	RING NUT 3/4" X 4 NIK	1,00			--
0065	TBBP00058	00000058	L.P. HOSE D. 4- 7	0,72			--



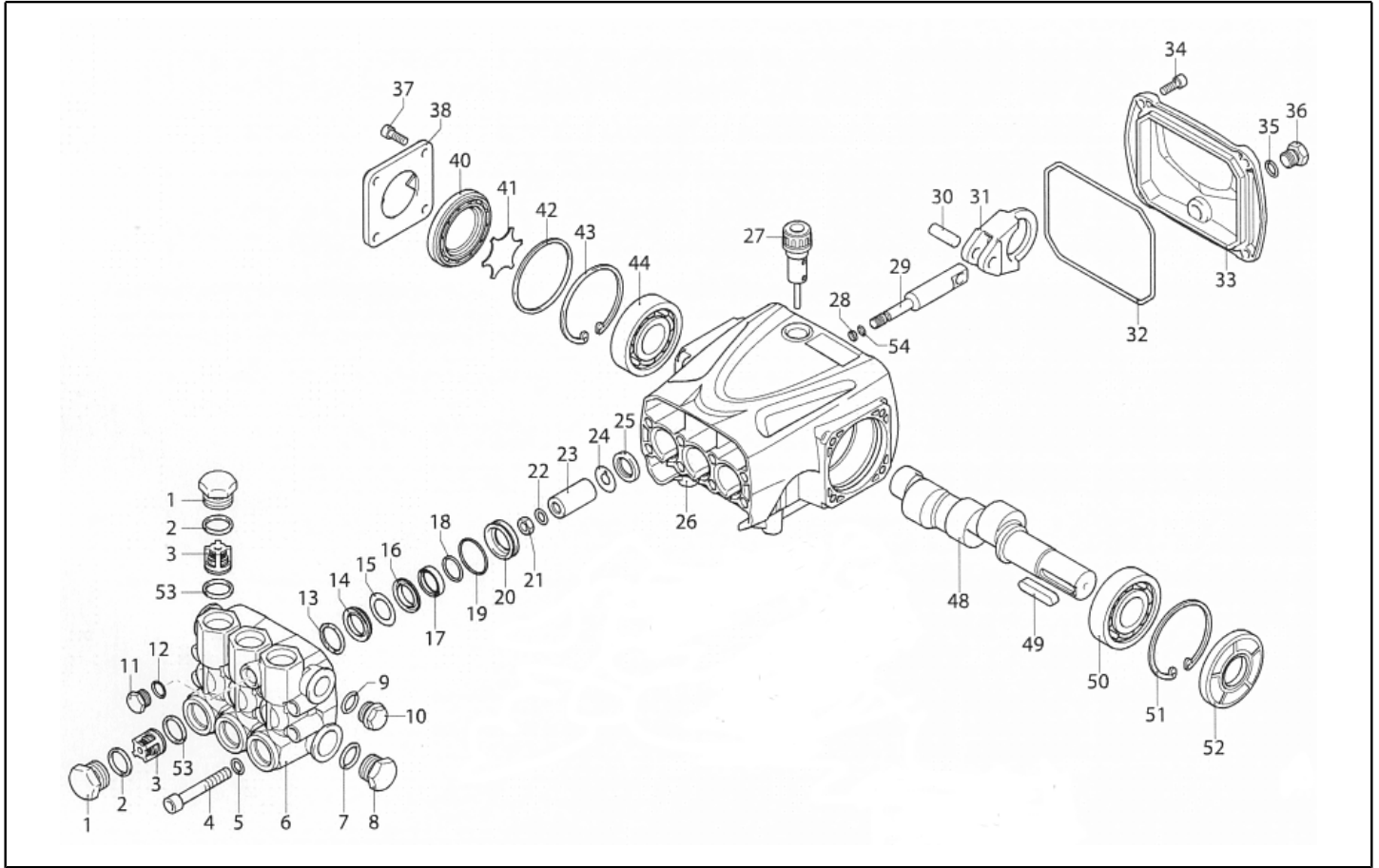
Ref. K	Part n.	Customer part n.	Description	Quantity	Validity		Price
					From	To	
0001	RCDS21120	00021120	RING NUT M 26 X 1,5	2,00			--
0002	GUGO21222	00021222	O-RING D. 15.54 X 2.62 VIT 80SH	2,00			--
0003	GUVR21021	00021021	ANTI-EXTR.RING D. 21 X17 TEF.	2,00			--
0004	LAFN44149	00044149	BOILER BOTTOM P176	1,00			--
0005	ITTE44175	00044175	BOTTOM P176 C.TE	1,00			--
0006	LAFN44151	00044151	BAND P176 INX	1,00			--
0007	LAFN40037		RING D.342 P176 ZN 2V.CPL.	1,00			--
0008	LAGR48101	00048101	DOUBLE COIL M26X1.5 P176 30MT. SP.2.6	1,00			--
0009	LASL40101		INT. CYLINDER PM INX	1,00			--
0010	LAFN40524		EXT. CYLINDER PM-176/7.5 INX	1,00			--
0011	LAFN40269		BOILER COVER SI PM INX	1,00			--
0012	LAFN40270		BOILER COVER SE PM INX	1,00			--
0013	LAFN44244	00044244	BAFFLE P176 30M INX	1,00			--
0014	LAFN40271		PIN CH.10 X 67.7 M5M/M5M PM	3,00			--
0015	MFVR18226	00018226	ELECTR.HOLDER FUT 3°V	1,00			--
0016	LAFN07641	00007641	PLATE INX	1,00			--
0017	MECA12525	00012525	ELECTRODE FUT	1,00			--
0018	UGBR22576	00022576	BURNER NOZZLE 1.35 60 S	1,00			--
0019	RCDS07642	00007642	NOZZLE HOLDER FUT	1,00			--
0020	MPVR18228	00018228	OIL WARN-LIGHT D.17 X3	1,00			--
0021	VTAE22633	00022633	SEEGER 0.4 X18,30X10,5	1,00			--
0022	RCVR08954	00008954	ELBOW 1/8"-4 B5	1,00			--
0023	MECB34463	00034463	CABLE BT L=800 SP. FD	1,00			--
0024	MECV35334	00035334	CABLE A.T. 9,8-23KOHMM L= 400P	2,00			--
0025	TBCO40009		DIESEL HOSE P176-7.5 30MT D. 4	1,00		14/07/2014	--
0025	TBCO40032		DIESEL HOSE P176-7.5 30MT D. 4 IX	1,00	15/07/2014		--



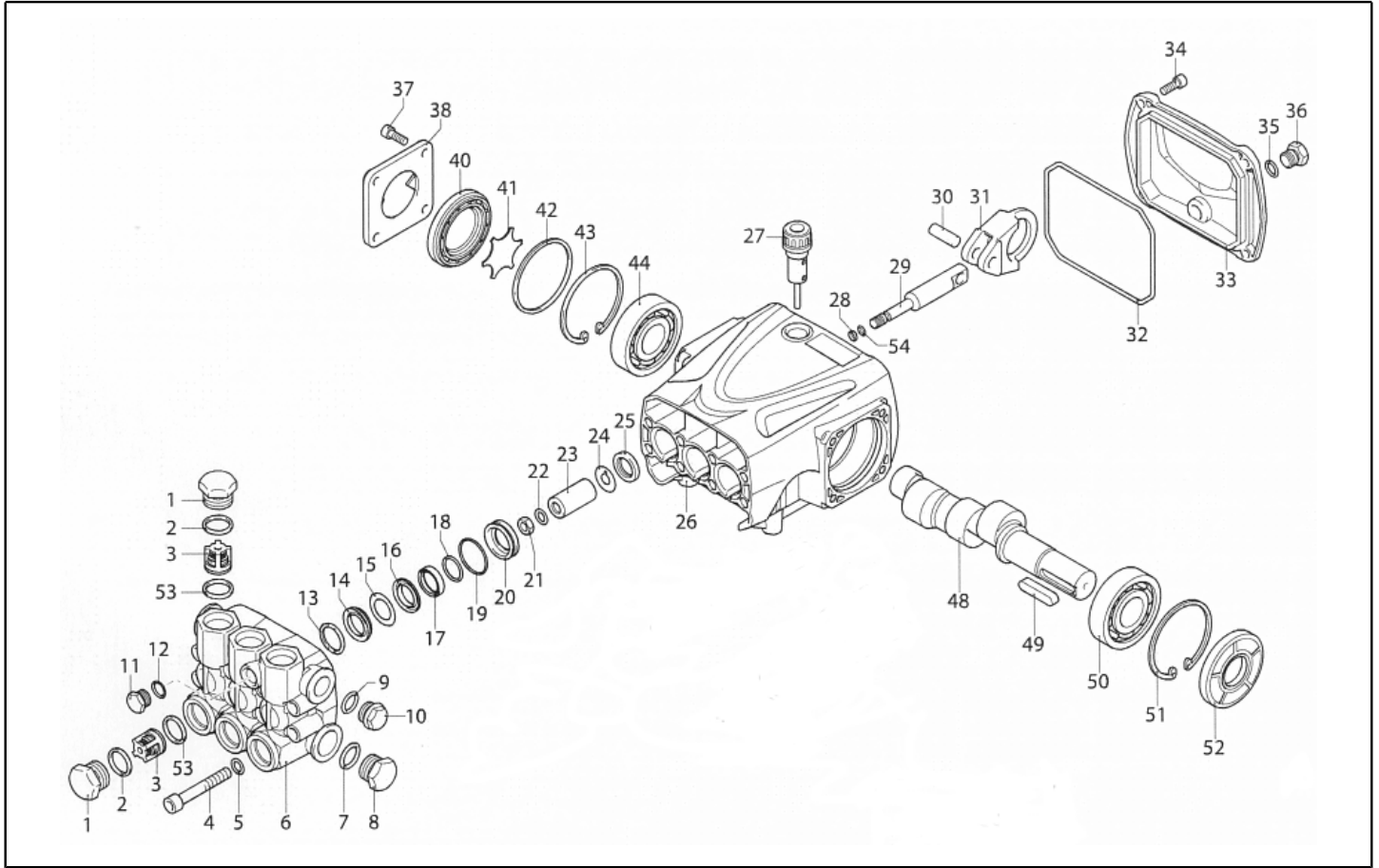
Ref. K	Part n.	Customer part n.	Description	Quantity	Validity		Price
					From	To	
0001	MOMB40007		BURNER MOTOR 230-50 IP44 110W AO/C SPP	1,00			--
0002	LAFN10272	00010272	MOTOR PLATE CB 3	1,00			--
0003	VEVR34275	00034275	IMPELLER D.160-80 D.12.7 36P B.SX	1,00			--
0004	MPVR40010		SCROLL CB4 -2PZ.CP	1,00		05/11/2015	--
0004	MPVR40665		SCROLL CB4 -2PZ.GR.	1,00	06/11/2015		--
0005	LAFN40528		FLANGE VENT.P176/7.5	1,00			--
0006	GUGO40003		GASKET CB4	1,00			--
0007	LAFN40523		BRACKET P176/7.5 ZC.	1,00			--
0008	MPVR40013		CONVEYOR P176-FBX PA6 BK.	1,00			--
0009	FSVR11197	00011197	CLAMP D.I. 11 13315	2,00			--
0010	TBCO06945	00006945	L.P. HOSE D. 6-12 10BAR C.PRESS	0,20			--
0010	TBCO06945	00006945	L.P. HOSE D. 6-12 10BAR C.PRESS	0,80			--
0011	FSVR00427	00000427	CLAMP D. 12 CLIC 66-110	4,00			--
0012	FTCO40003		FUEL FILTER FB 7/TA 60mc NYL.	1,00	08/04/2010	24/02/2016	--
0012	FTCO40004		FUEL FILTER FB 7/T 60mc NYL.	1,00	25/02/2016		--
0013	PPGS40016		FUEL PUMP VSC90 GHD2014 230-5/60	1,00			--
0014	RCDS21900	00021900	HOSE FITTING 1/8 M D. 3- 7	1,00			--
0015	VTRS63256	00063256	WASHER D.10,3X16X1,5 1/8 RM	1,00			--
0016	RCVR89164		SLEEVE 1/8 M/F A5	1,00			--
0017	RCVR89230		CAP G 1/8 M C/O-RING.	1,00			--
0018	RCVR72867		CONNECTOR A "T" 1/8" FFM	1,00			--
0020	RCVR08954	00008954	ELBOW 1/8"-4 B5	1,00			--
0021	MECB46130	00046130	CABLE DLT L=1100	1,00			--



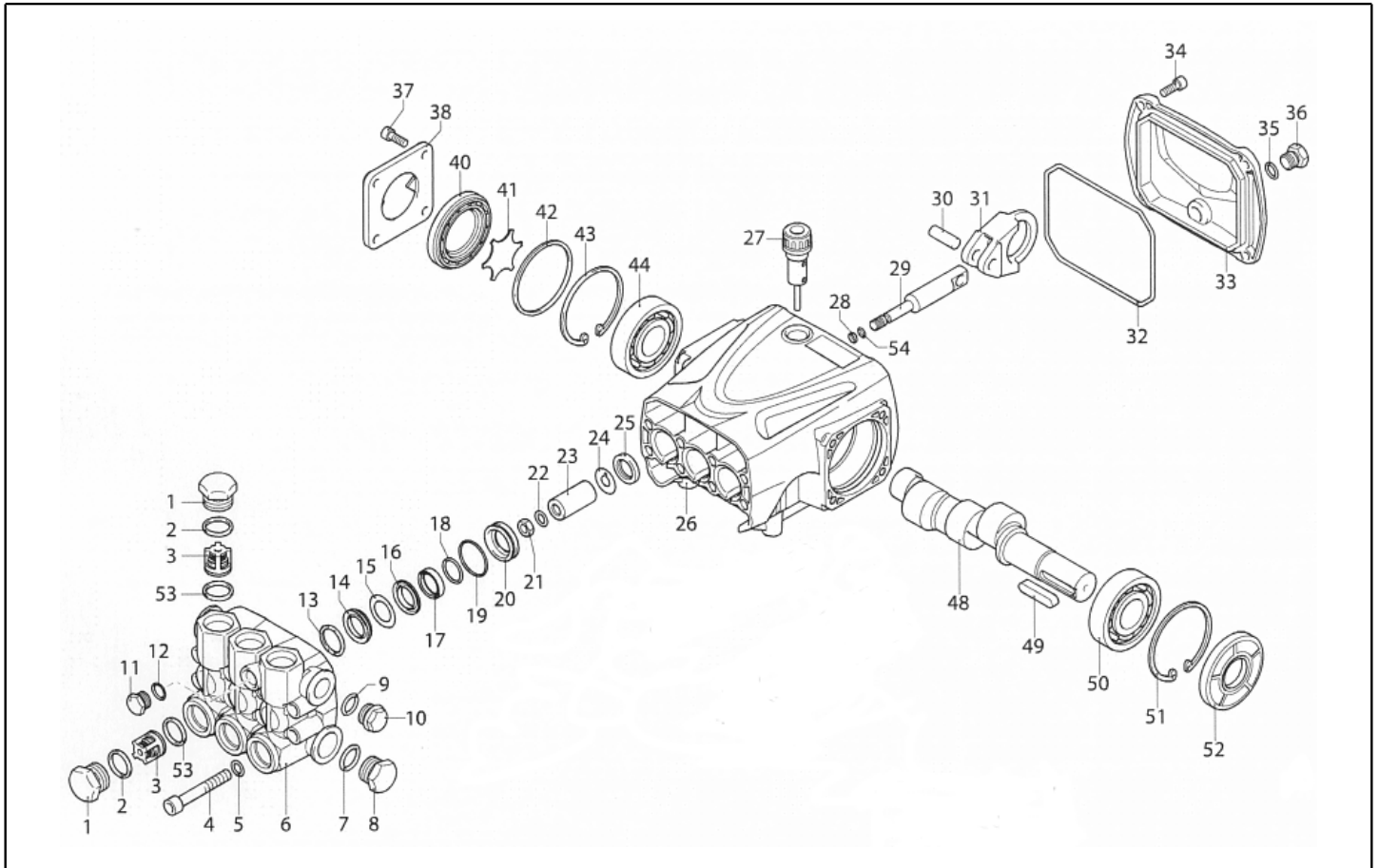
Ref. K	Part n.	Customer part n.	Description	Quantity	Validity		Price
					From	To	
K	METT40010		CONTACTOR SIE 3RT 2017-1AB01 24V	1,00	05/09/2014		--
K	METT45025	00045025	CONTACTOR SIE 3RT 1024 1AC20 24V	1,00		04/09/2014	--
EC	MECE48580	00048580	PCB P190 T-ST/MP V.PLUS	1,00			--
EV	MEEV40008		SOLENOID VALVE F84 1/8FF 24V-5/60HZ	1,00			--
F1	MEVR02824	00002824	FUSE 5X20 1A	1,00			--
F2	MEVR00237	00000237	FUSE 5X20 3,15A	1,00			--
IG	MECI40017		COMMUTAT.SWITCH 0-1-2 UN.	1,00			--
P1	MEPF76254	00076254	PRESSURE SWITCH PR 5 1/4M 25BAR	2,00			--
PA	MEPD45940	00045940	DESCALING PUMP NME 1 24V 50/60HZ	1,00			--
RL	MERL13852	00013852	SWITCH RELAY OMR 24 VAC 10A MY2-S	1,00			--
RT	METT40035		THERMAL RELAY SIE 3RU2116-4AB0 11-16 A	1,00	05/09/2014		--
RT	METT45026	00045026	THERMAL RELAY SIE 3RU1126-4AB0 11-16 A	1,00		04/09/2014	--
TA	METR88630		TRANSFORMER 23/240V-5/60HZ 2X26KV TR.	1,00			--
TH	METK40011		THERMOSTAT 0-150° L=1500 F&C	1,00			--
TR	METR40003		TRANSFORMER 35VA 230-400/24 5/60HZ PM	1,00			--
TS	METK34839	00034839	THERMOSTAT 60°C TR/711-N C.1.5	1,00			--
CV1	MECB17414	00017414	CABLE H07 RNF 4X2.5 L=6.500	1,00			--



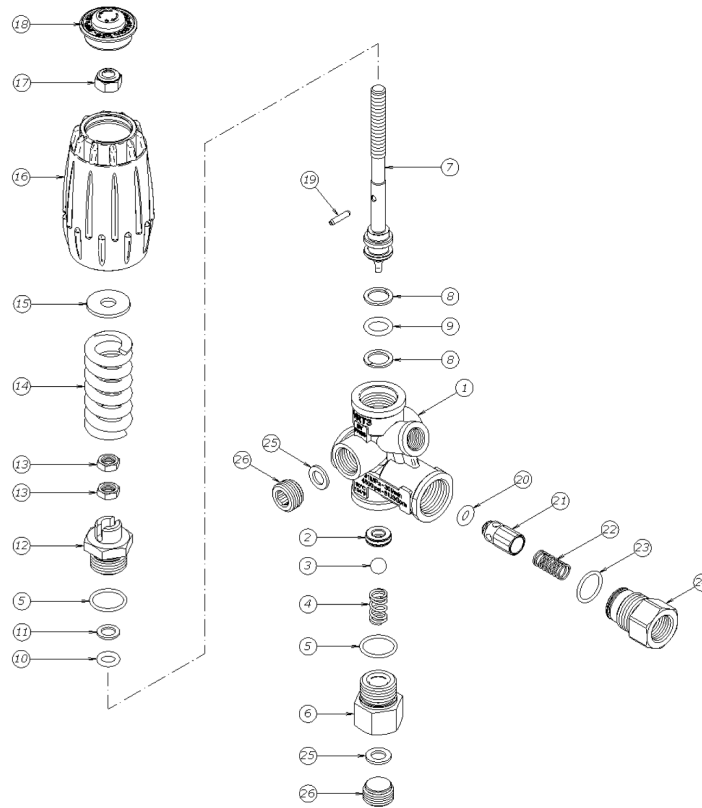
Ref. K	Part n.	Customer part n.	Description	Quantity	Validity		Price
					From	To	
0001	PVVR40161		CAP AR RR	6,00			--
0002	GUGO03502	00003502	O-RING D. 17.86 X 2.62 NBR 70SH	6,00			--
0003	S VVAM40003		VALVE UNIT RR	6,00			--
0004	VTVT63018		SCREW TCEI M 8X55 ZC U.5931	8,00			--
0005	VTRS14242	00014242	WASHER D. 8.4X13X0.8 UNI7064 SCH	8,00			--
0006	MFVR40028		HEAD AR RR OT.	1,00			--
0007	GUGO19245	00019245	O-RING D. 17.5 X 2 NBR 70SH	1,00			--
0008	PVVR40121		CAP 1/2 M RC	1,00			--
0009	GUGO09720	00009720	O-RING D. 14 X 1.78 NBR 70SH	1,00			--
0010	PVVR40099		CAP 3/8 M HRM	1,00			--
0011	PVVR40129		CAP 1/4 M RC	1,00			--
0012	GUGO01036	00001036	O-RING D. 10.82 X 1.78 NBR 70SH	1,00			--
0013	S PVVR40122		HEAD RING D. 18 RC	3,00			--
0014	S GUVR40035		PACKING D. 18 RC H.P.	3,00			--
0015	S GUVR40043		ANTI-EXTR.RING D.18X28	3,00			--
0016	S PVVR40162		INTERMED. RING D. 18 RR	3,00			--
0017	S GUVR40036		PACKING D. 18 RC L.P.	3,00			--
0018	S GUVR40037		ANTI-EXTR.RING D.21	3,00			--
0019	S GUGO19290	00019290	O-RING D. 23.52 X 1.78 NBR 70SH	3,00			--
0020	S PVVR40163		PACKING RETAIN. D. 18 RR	3,00			--
0021	VTDD00483	00000483	NUT M 8 ZIN UNI 5588	3,00			--
0022	VTRS19394	00019394	WASHER D. 8X13X0.5	3,00			--
0023	S PIVR40007		PISTON D.18 RR	3,00			--
0024	PVVR19233	00019233	DISC XTS	3,00			--
0025	S GUGO09690	00009690	OIL SEAL 15X 24X 5 NBR70	3,00			--
0026	MFVR40030		PUMP CRANKCASE AR RR	1,00			--
0027	PVVR19231	00019231	OIL CAP XTS	1,00			--
0028	GUGO08071	00008071	O-RING D. 4.48 X 1.78 NBR 70SH	3,00			--
0029	PVVR40176		PISTON GUIDE RR	3,00			--
0030	PVVR40178		GUDGEON D. 9 RR	3,00			--
0031	BLVR40002		CONNECTING ROD RR	3,00			--
0032	GUGO40017		O-RING D. 107.62 X 2.62 NBR 70SH	1,00			--
0033	MFVR40029		CRANKCASE COVER AR RR	1,00			--
0034	VTVT09913	00009913	SCREW TCEI 6X16 UNI5931	4,00			--
0035	GUGO01036	00001036	O-RING D. 10.82 X 1.78 NBR 70SH	1,00			--
0036	PVVR40129		CAP 1/4 M RC	1,00			--
0037	VTVT09913	00009913	SCREW TCEI 6X16 UNI5931	4,00			--
0038	MFVR40021		CRANKCASE COVER AR RC LT.	1,00			--
0040	PVVR40179		OIL INDICATOR RR	1,00			--
0041	PVVR40125		DISC RC	1,00			--
0042	GUGO09030	00009030	O-RING 56X82 X2.62 - NBR	1,00			--
0043	VTAE10405	00010405	CIRCLIP D. 62 UNI 7437	1,00			--
0044	CUVR09654	00009654	BALL BEARING 6305	1,00			--
0048	ALMO40012		SHAFT AR RR 15LT VRS. N	1,00			--



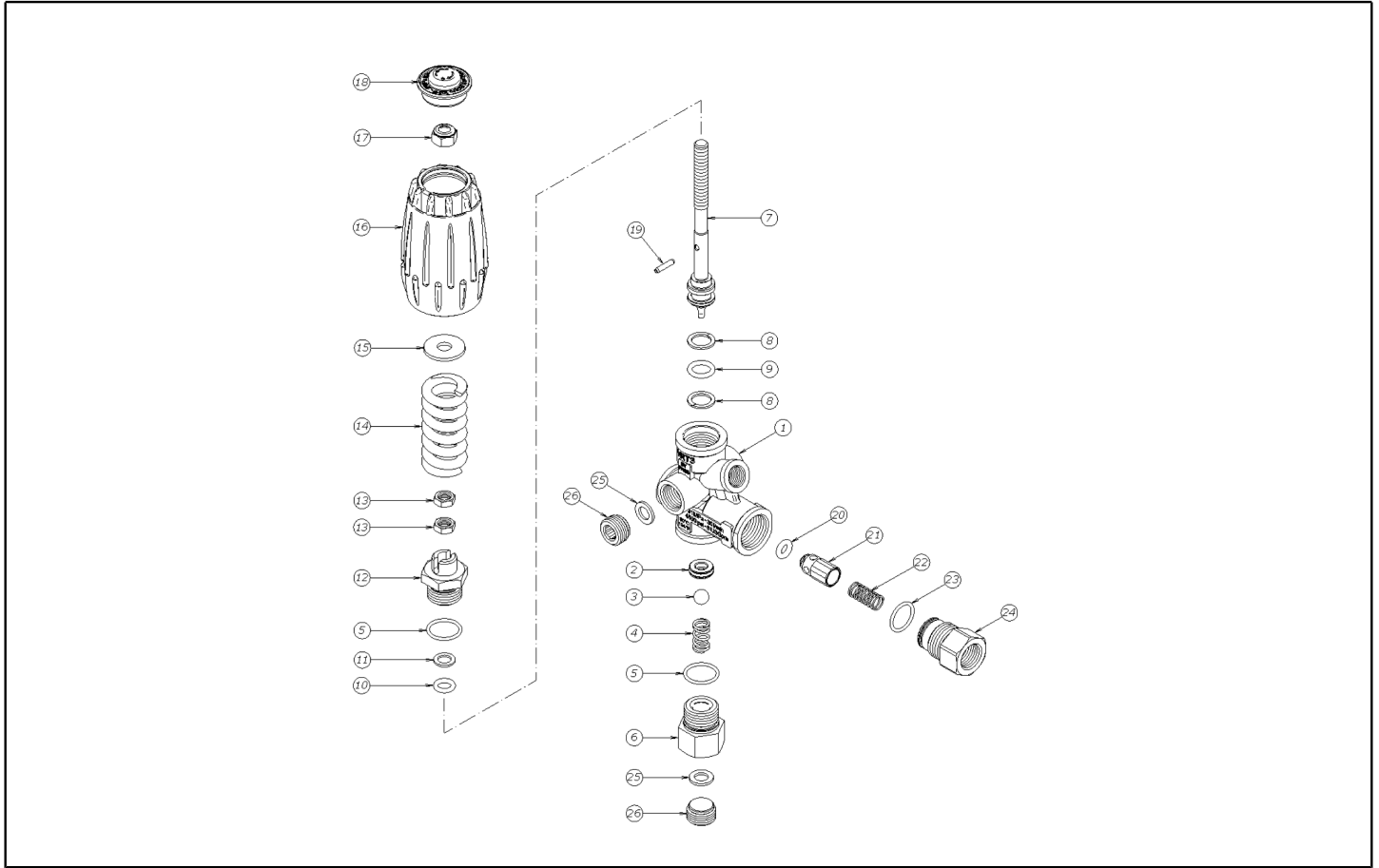
Ref. K	Part n.	Customer part n.	Description	Quantity	Validity		Price
					From	To	
0049	VTVR41531	00041531	KEY 8X 7X35 UNI 6604A	1,00			--
0050	CUVR09654	00009654	BALL BEARING 6305	1,00			--
0051	VTAE10405	00010405	CIRCLIP D. 62 UNI 7437	1,00			--
0052	S GUGO40018		OIL SEAL 25X 62X 8 NBR70	1,00			--
0053	S GUGO02259	00002259	O-RING D. 15.54 X 2.62 NBR 70SH	6,00			--
0054	GUVR40044		ANTI-EXTR.RING D. 5 X 8 X1	3,00			--



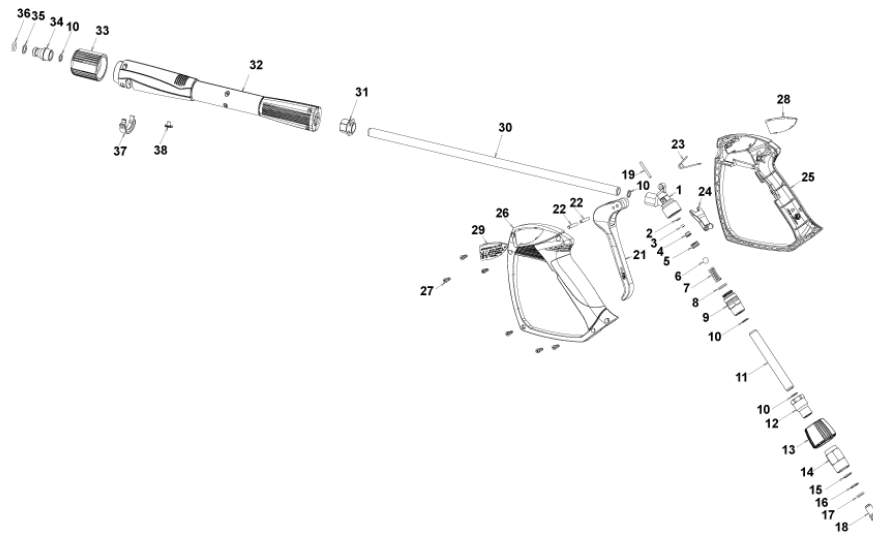
Ref. Part n.	Cust. part n.	Description	Reference	Price
KTRI40095		KIT P 15-42903 D.18 RC	0013	--
KTRI40142		KIT P 15-42909 RR	0003 0053	--
KTRI40143		KIT P 15-42904 D.18 RR	0023	--
KTRI40144		KIT P 15-42922 RR	0025 0052	--
KTRI40145		KIT P 15-42924 D.18 RR	0014 0015 0017 0018 0019	--
KTRI40146		KIT P 15-42923 D.18 RR	0016 0020	--



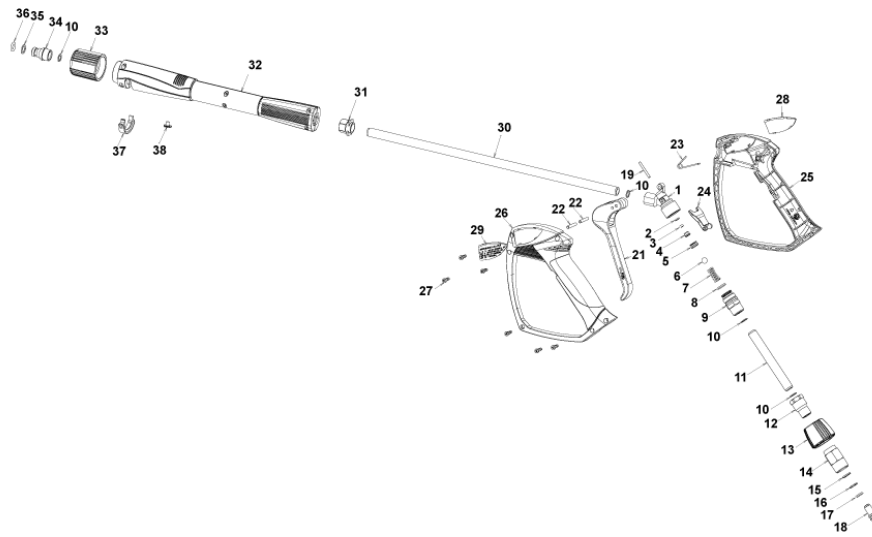
Ref. K	Part n.	Customer part n.	Description	Quantity	Validity		Price
					From	To	
0001	PVVR40342		VALVE BODY VRT3 3/8F	1,00			--
0002	S PVVR40343		BALL SEAT D.7 VRT3 + OR	1,00			--
0003	S SFVR27026	00027026	BALL D.11/32" INX	1,00			--
0004	MLML40024		SPRING MV0316 28	1,00			--
0005	S GUGO24913	00024913	O-RING D. 17.17 X 1.78 NBR 90SH	2,00			--
0006	PVVR40344		CONNECTOR VRT3 G3/8F	1,00			--
0007	PVVR40345		PUSH ROD VRT3	1,00			--
0008	S GUVR40070		ANTI-EXTR.RING D. 11.5X15.9X1.2	2,00			--
0009	S GUGO11225	00011225	O-RING D. 10.78 X 2.62 NBR 70SH	1,00			--
0010	S GUGO21638	00021638	O-RING D. 7.60 X 2.62 NBR 70SH	1,00			--
0011	S GUVR40071		ANTI-EXTR.RING D. 8 X 12.6	1,00			--
0012	PVVR40346		ROD GUIDE VRT3	1,00			--
0013	VTDD40011		NUT M 8 OT UNI EN 24035	2,00			--
0014	MLML40025		SPRING D. 5.7/20.7X56 25MPa	1,00			--
0015	VTRS00512	00000512	WASHER D. 8 X24 ZC.	1,00			--
0016	PVVR40347		KNOB VRT3-VHP	1,00			--
0017	VTDD00124		NUT M 8 BASSO	1,00			--
0018	PVVR40348		CAP VRT3 25MPa	1,00			--
0019	VTVR40045		ELASTIC PLUG 3X14 UNI-EN28748	1,00			--
0020	S GUGO46053	00046053	O-RING D. 6 X 3 NBR 90SH	1,00			--
0021	PVVR40349		COUPLING VRT3	1,00			--
0022	MLML40026		SPRING VRT3	1,00			--
0023	S GUGO12321	00012321	O-RING D. 15.6 X 1.78 NBR 90SH	1,00			--
0024	PVVR40350		CONNECTOR VRT3 G 3/8F	1,00			--
0025	VTRS12254	00012254	WASHER D. 8X14X1.5	2,00			--
0026	PVVR40351		CAP EI G 3/8 VRT3 OT	2,00			--



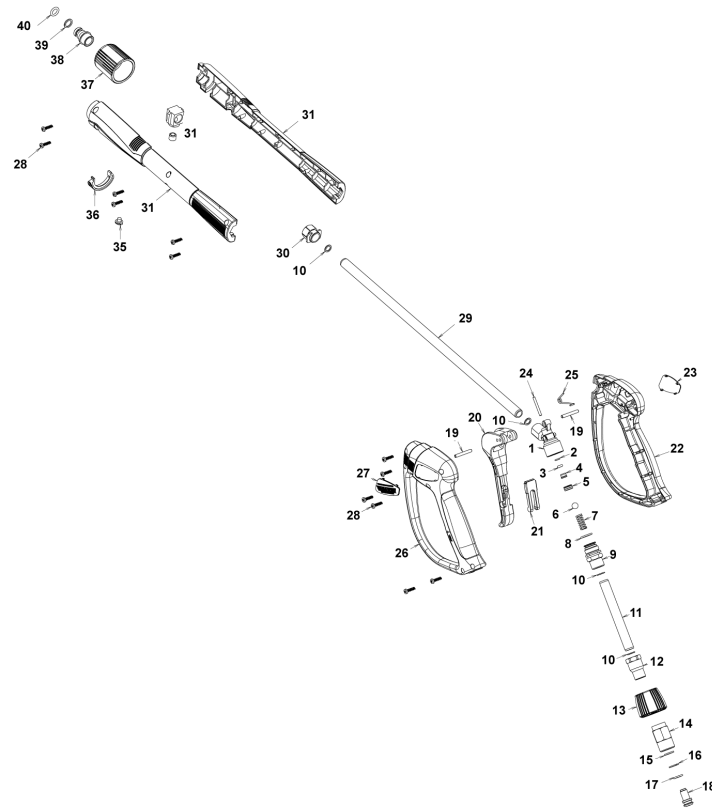
Ref. Part n.	Cust. part n.	Description	Reference	Price
KTRI40217		KIT P 14-102 VRT3	0002 0003 0005 0009 0010 0011 0020 0023 0008	--



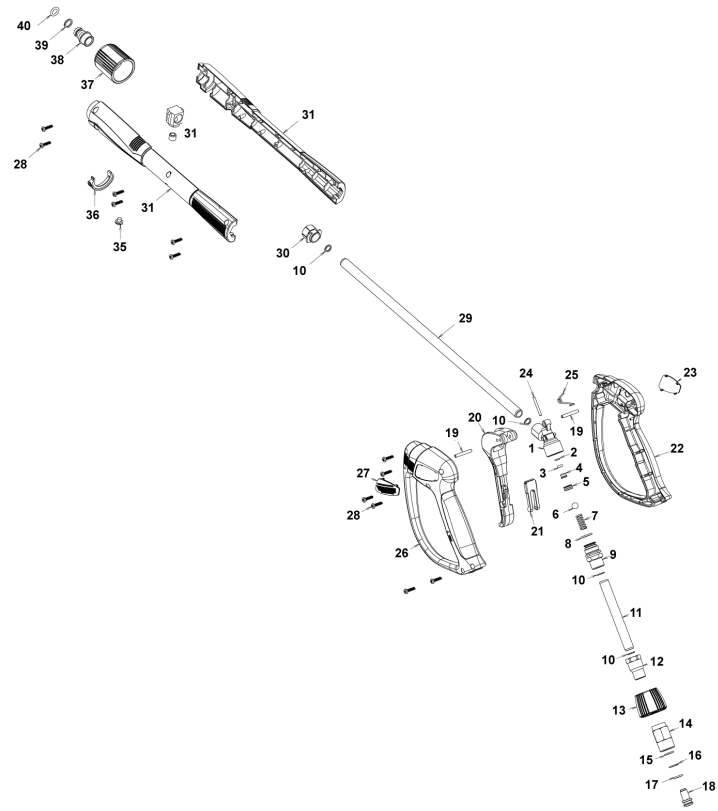
Ref. K	Part n.	Customer part n.	Description	Quantity	Validity		Price
					From	To	
0001	PVVR40381		GUN BODY G 5100 G1/4F	1,00			--
0002	S GUVR40074		ANTI-EXTR.RING D. 3 X 7.4X1.3	1,00			--
0003	S GUGO21835	00021835	O-RING D. 2.84 X 2.62 VIT. 80SH	1,00			--
0004	PVVR40382		PISTON GUIDE G 5100	1,00			--
0005	S PVVR40112		BALL SEAT G 5000	1,00			--
0006	S SFVR27026	00027026	BALL D.11/32" INX	1,00			--
0007	MLML40016		SPRING D. 9.4 x21.5x1.6 G5000	1,00			--
0008	GUGO12322	00012322	O-RING D. 14 X 1.78 NBR 90SH	1,00			--
0009	PVVR40383		CONNECTOR COLL.G5100 1/4F	1,00			--
0010	VTRS40017		WASHER D. 8.2X11,4X1.00	4,00			--
0011	PVVR40384		TUBE G 1/4" L.105	1,00			--
0012	RCIN40022		CONNECTOR SWIV G5100 1/4F	1,00			--
0013	MPVR40486		RING NUT G 5100 SW. GR.	1,00			--
0014	RCIN40021		JOINT SWIV 5100 M22	1,00			--
0015	S GUVR40075		ANTI-EXTR.RING D. 10 X14X1.5	1,00			--
0016	S GUVR40076		ANTI-EXTR.RING D. 11.2X14X1.2	1,00			--
0017	S GUGO15295	00015295	O-RING D. 10.82 X 1.78 VIT 80SH	1,00			--
0018	PVVR40386		SCREW SW. G 5100	1,00			--
0019	PVVR40387		SMALL PISTON G 5100	1,00			--
0021	MPVR40487		TRIGGER G 5100-SW	1,00			--
0022	VTVR40047		PLUG D. 4X29	2,00			--
0023	MLML40029		SPRING G 5100	1,00			--
0024	MPVR40488		SAFETY-DEVICE G 5100-SW	1,00			--
0025	MPVR40489		SHELL G 5100-SW DX	1,00			--
0026	MPVR40490		SHELL G 5100-SW SX	1,00			--
0027	VTVT40043		SCREW AF 4X 14 HILO ZN.N	6,00			--
0028	MPVR40491		PLATE G 5100 GR.DX	1,00			--
0029	MPVR40492		PLATE G 5100 GR.SX	1,00			--
0030	LCPR40086		TUBE 1/4 L=420 ZC. 0°	1,00			--
0031	MPVR40493		CONNECTOR G 5100-SW	1,00			--
0032	MPVR40494		PROTECTION P 420 C/AN.	1,00			--
0033	PVVR40119		CONNECTION M22X1.5 IRV G5000	1,00			--
0034	RCIN40009		GUDGEON G 1/4 F IRV G5000	1,00			--
0035	GUVR40034		ANTI-EXTR.RING D. 10 X14	1,00			--
0036	GUGO01946	00001946	O-RING D. 9.13 X 2.62 VIT 70SH	1,00			--
0037	MPVR40495		CAP G 5100 REM.	1,00			--
0038	MPVR40198		CAP G 5000	1,00			--



Ref. Part n.	Cust. part n.	Description	Reference	Price
KTRI40242		KIT P 26- 25 G 5100	0002 0003 0005 0006	--
KTRI40243		KIT P 26- 26 SWIVEL G 5100	0015 0016 0017	--



Ref. K	Part n.	Customer part n.	Description	Quantity	Validity		Price
					From	To	
0001	PVVR40381		GUN BODY G 5100 G1/4F	1,00			--
0002	S	GUVR40074	ANTI-EXTR.RING D. 3 X 7.4X1.3	1,00			--
0003	S	GUGO21835	00021835	O-RING D. 2.84 X 2.62 VIT. 80SH	1,00		--
0004	PVVR40382		PISTON GUIDE G 5100	1,00			--
0005	S	PVVR40112	BALL SEAT G 5000	1,00			--
0006	S	SFVR40002	BALL D.11/32" ALL GR16	1,00			--
0007	MLML40016		SPRING D. 9.4 x21.5x1.6 G5000	1,00			--
0008	GUGO12322	00012322	O-RING D. 14 X 1.78 NBR 90SH	1,00			--
0009	PVVR40383		CONNECTOR COLL.G5100 1/4F	1,00			--
0010	VTRS40017		WASHER D. 8.2X11,4X1.00	4,00			--
0011	PVVR40384		TUBE G 1/4" L.105	1,00			--
0012	RCIN40022		CONNECTOR SWIV G5100 1/4F	1,00			--
0013	MPVR40819		RING NUT G 5100 SW. BK.	1,00			--
0014	RCIN40021		JOINT SWIV 5100 M22	1,00			--
0015	S	GUVR40075	ANTI-EXTR.RING D. 10 X14X1.5	1,00			--
0016	S	GUVR40076	ANTI-EXTR.RING D. 11.2X14X1.2	1,00			--
0017	S	GUGO15295	00015295	O-RING D. 10.82 X 1.78 VIT 80SH	1,00		--
0018	PVVR40386		SCREW SW. G 5100	1,00			--
0019	VTVR40047		PLUG D. 4X29	2,00			--
0020	MPVR40820		TRIGGER G 6000-SW	1,00			--
0021	MPVR40821		SAFETY-DEVICE G 6000-SW	1,00			--
0022	MPVR40822		SHELL G 6000-SW DX	1,00			--
0023	MPVR40823		PLATE G 6000 GR.DX	1,00			--
0024	PVVR40387		SMALL PISTON G 5100	1,00			--
0025	MLML40029		SPRING G 5100	1,00			--
0026	MPVR40824		SHELL G 6000-SW SX	1,00			--
0027	MPVR40825		PLATE G 6000 GR.SX	1,00			--
0028	VTVT40043		SCREW AF 4X 14 HILO ZN.N	12,00			--
0029	LCPR40086		TUBE 1/4 L=420 ZC. 0°	1,00			--
0030	MPVR40493		CONNECTOR G 5100-SW	1,00			--
0031	MPVR40494		PROTECTION P 420 C/AN.	1,00			--
0035	MPVR40198		CAP G 5000	1,00			--
0036	MPVR40495		CAP G 5100 REM.	1,00			--
0037	PVVR40119		CONNECTION M22X1,5 IRV G5000	1,00			--
0038	RCIN40009		GUDGEON G 1/4 F IRV G5000	1,00			--
0039	GUVR40034		ANTI-EXTR.RING D. 10 X14	1,00			--
0040	GUGO01946	00001946	O-RING D. 9.13 X 2.62 VIT 70SH	1,00			--



Ref. Part n.	Cust. part n.	Description	Reference	Price
KTRI40243		KIT P 26- 26 SWIVEL G 5100	0015 0016 0017	--
KTRI40414		KIT P 26- 34 G 6000	0002 0003 0005 0006	--