



IPC

Spare parts list

Ref: ASDO15512

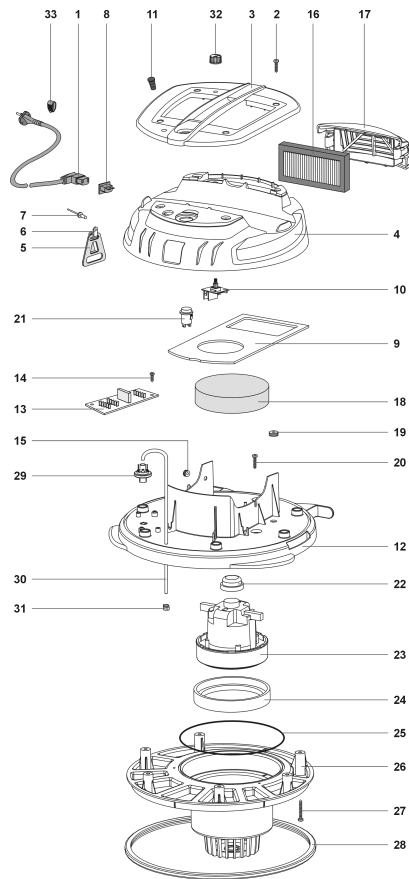
Model: VACUUM CLEANER LP 1/16 LUXE ECO A DOLPH



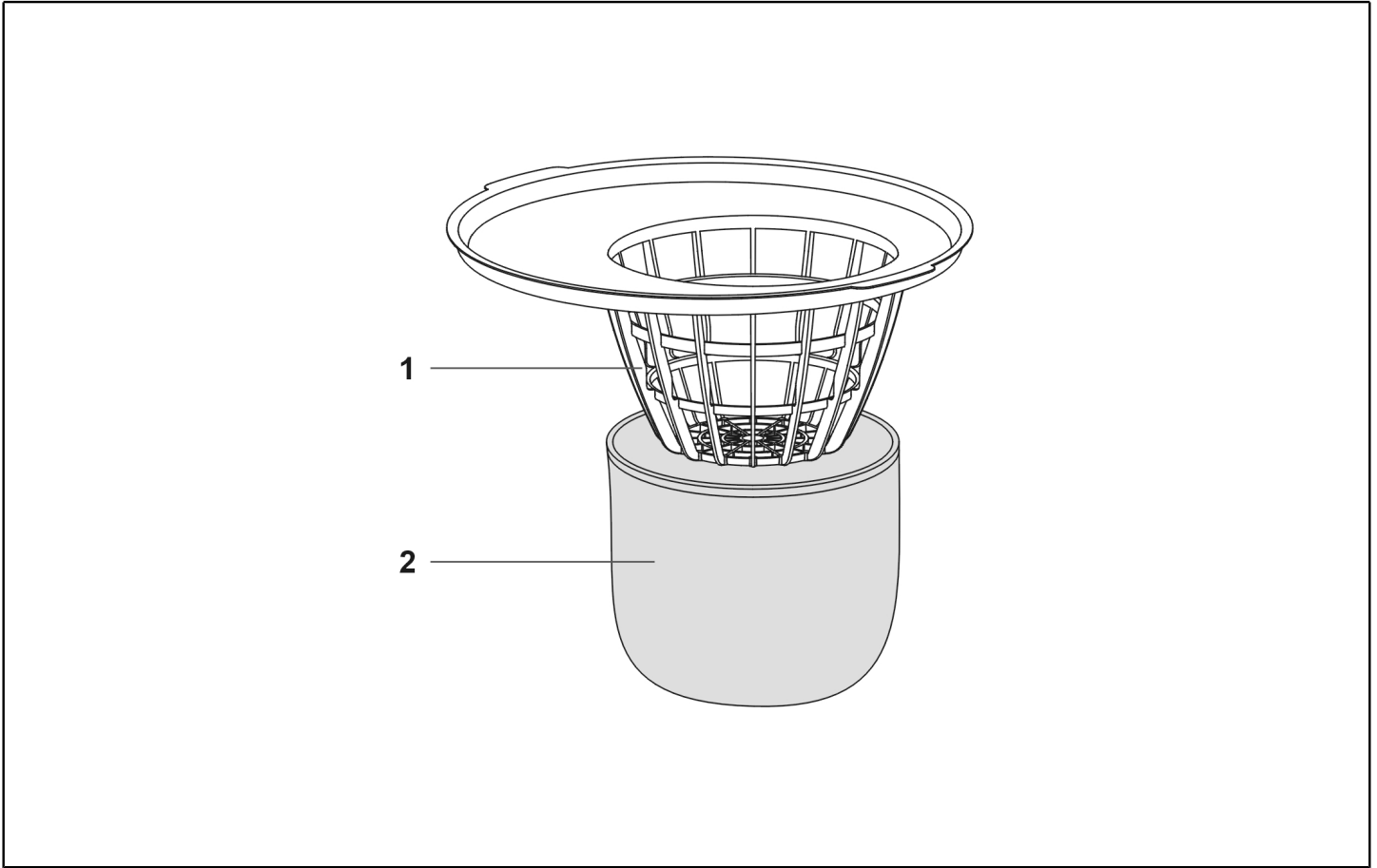
IPC Integrated Professional Cleaning

IPC Soteco

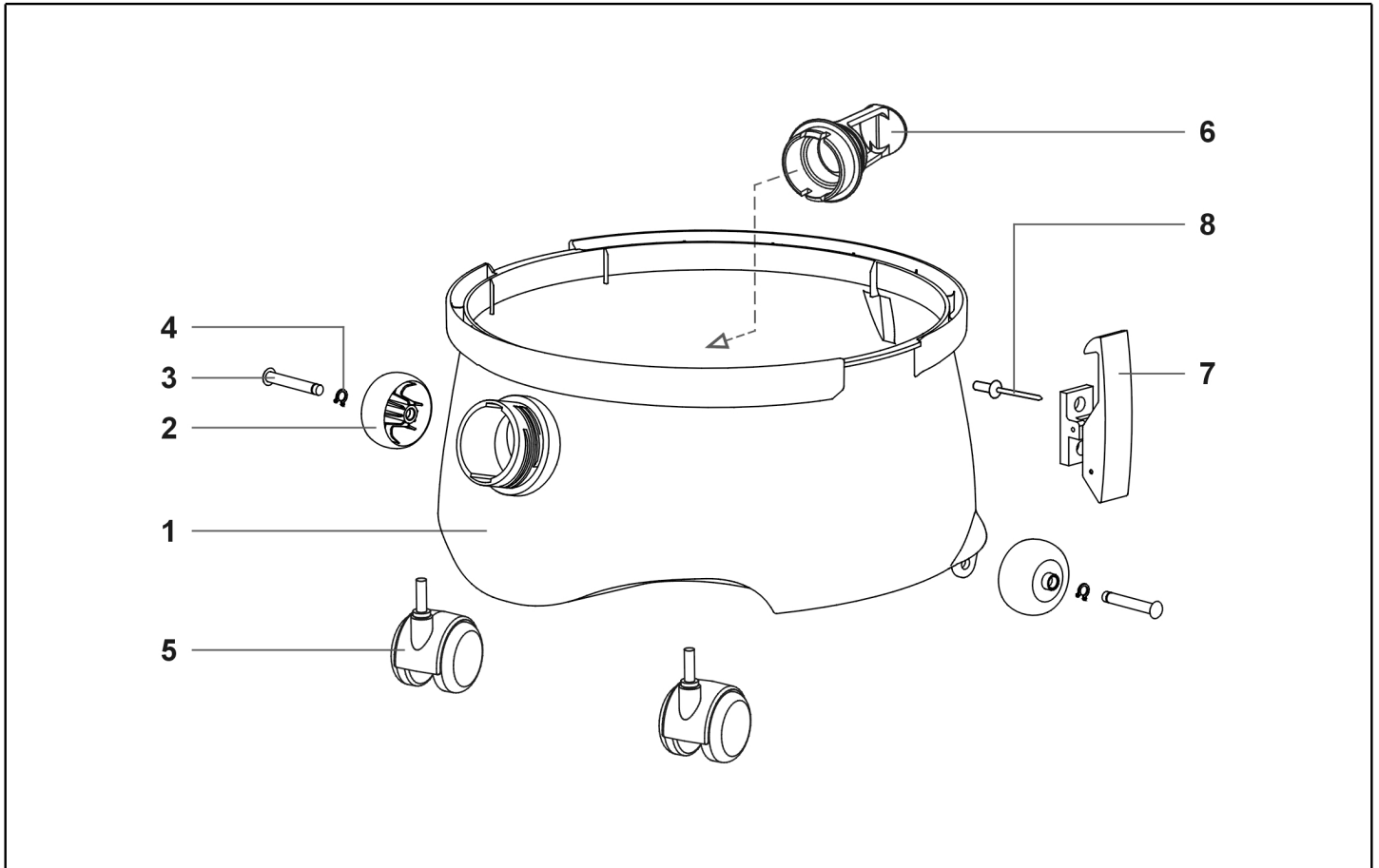
Ref. K	Part n.	Customer part n.	Description	Quantity	Validity		Price
					From	To	
0001	PMTA08683		HEAD DOLPHIN LUX ECO A C/S	1,00			--
0002	FTDP00756		KIT CESTELLO POLICARBON LEO	1,00			--
0003	PMFU02620		TANK LEO MAXI NE/NE COMP	1,00			--



Ref. K	Part n.	Customer part n.	Description	Quantity	Validity		Price
					From	To	
*	MECB01212	07632	WIRING 43CM MOTOR	1,00			--
*	MECB01557	01101 BA	CONN.WIRE C.350-LB-FF-FF	4,00	20/07/2017		--
*	MECB01579	01101 BX	CONN.WIRE C.420-GR-FF-FF48	2,00	20/07/2017		--
*	MECB01566	01101 BJ	CONN.WIRE C.350-NE-FF-ST	2,00	20/07/2017		--
*	MEVR02225	01105/P	FASTON COVER FOR ART.01103/C	8,00	20/07/2017		--
*	FSVR00127	01106	CLAMP	5,00			--
*	MECB02030		WIRING DOLPHIN LUXE	1,00			--
*	MEVR02225	01105/P	FASTON COVER FOR ART.01103/C	4,00			--
0001	MECB01971		CABLE ELET. 2X1 MT.12,5 IEC320	1,00			--
0002	VTVT71960	01005	SCREW PAT TMT PHL 5X14 ZN BLACK	4,00			--
0003	MPVR11679		HANDLE DOLPHIN VE IPC C/POT + S/	1,00			--
0004	MPVR11660		COVER DOLPHIN NE C/S	1,00			--
0005	MPVR06992	020232	HOOK F.CABLE AND SOCKET	1,00			--
0006	MPVR06955	07877	BLOCK "P" NYLON	1,00			--
0007	VTVR71992	01302	RIVET 4,8X17	1,00			--
0008	MEVR01887	07915	SOCKET BIPOLE AD INCASSO IEC32	1,00			--
0009	GUVR00404	020067	ADHESIVE GASKET COVE. LEO PE EPS	1,00			--
0010	MECE00787		POTENTIOMETER 220-240V DOLPHIN	1,00			--
0011	MEVR02085	06898-1	LAMP W/RED GEM W/RING NUT	1,00			--
0012	MPVR20005		MOTOR FASTENER LEO VE-IPC	1,00	20/07/2017		--
0013	MECE00795		BOARD RAD COLLEG. OPZIONALI DOL	1,00	20/07/2017		--
0014	VTVT71960	01005	SCREW PAT TMT PHL 5X14 ZN BLACK	2,00	20/07/2017		--
0015	MEVR40111	07855	GUIDING SLIT W/LEO MEMBRANE	1,00	20/07/2017		--
0016	FTDP00506	021437 H	CARTRIDGE HEPA 140X70X20 RECT.	1,00			--
0017	MPVR11536		BLACK BRACKET DOLPHIN	1,00	16/06/2017		--
0018	FTDP40010	020066	FILTER PPI/80 D.115X20	1,00			--
0019	MEVR40111	07855	GUIDING SLIT W/LEO MEMBRANE	1,00	20/07/2017		--
0020	VTVT71961	01006	SCREW PFU TMT PHL 5X20 BLACK	3,00			--
0021	MECI00470		SWITCH A PULSANTE FM4,8X0,8	1,00			--
0022	MPVR40559	07502	MOT.FASTENER GUM G.EPDM30 D42X20	1,00			--
0023	MOMO00585	030343TP	MOTOR TS32 CP TP 650W 220-240 5	1,00			--
0024	GUGO40052	07890	L-GASKET D.130 H=9	1,00			--
0025	GUGO40053	020056	OR RUBBER SPONGE D.4 D.190 (L=600)	1,00			--
0026	MPVR40560	07817	LEO BASE	1,00			--
0027	VTVT71966	01026	SCREW PAT TMT PHL 5X30 BLACK	6,00			--
0028	GUVR40077	07799	GASKET FOR LEO BASE	1,00			--
0029	MEPF00019	06897	PRESSURE SENS. 140 MBAR	1,00			--
0030	TBBP00547	07604	TUBE PVC D.5X3 CM46 X WAR LIGH	1,00			--
0031	FSVR00147	020102	CABLE TIE D.5 MONO LOBO	1,00			--
0032	MANO00020	06519	KNOB POTENTIOMETER BLACK COMP	1,00			--
0033	MPVR06885	06770	CLIP BIG FIXING CABL ELE	1,00			--



Ref. K	Part n.	Customer part n.	Description	Quantity	Validity		Price
					From	To	
0001	MPVR11521		RING PORTAFILTRO LEO	1,00	20/03/2017		--
0002	FTDP00750		FILTER POLICARBON/TNT CONICO LEO	1,00			--



Ref. K	Part n.	Customer part n.	Description	Quantity	Validity		Price
					From	To	
0001	PMVR06349		TANK LEO MAXI NE forato	1,00			--
0002	RTRT00588	020613/G	REAR WHEEL LEO MAXI TANK GUMMED	2,00			--
0003	LAFN40594	020948	WHEEL PIN LEO MX.	2,00			--
0004	VTAE00094	020949	CIRCLIP RAD.DIAM.8 UNI7434	2,00			--
0005	RTRT40033	07885	WHEEL D.50 GREY W/ PIVOT SOFT	2,00			--
0006	MPVR40562	07796	DEFLECTOR LEO W/OR	1,00			--
0007	CHVR28735	01847/SNE	COMPLETE PLASTIC HOOK BLACK	2,00			--
0008	VTVR71992	01302	RIVET 4,8X17	4,00			--