

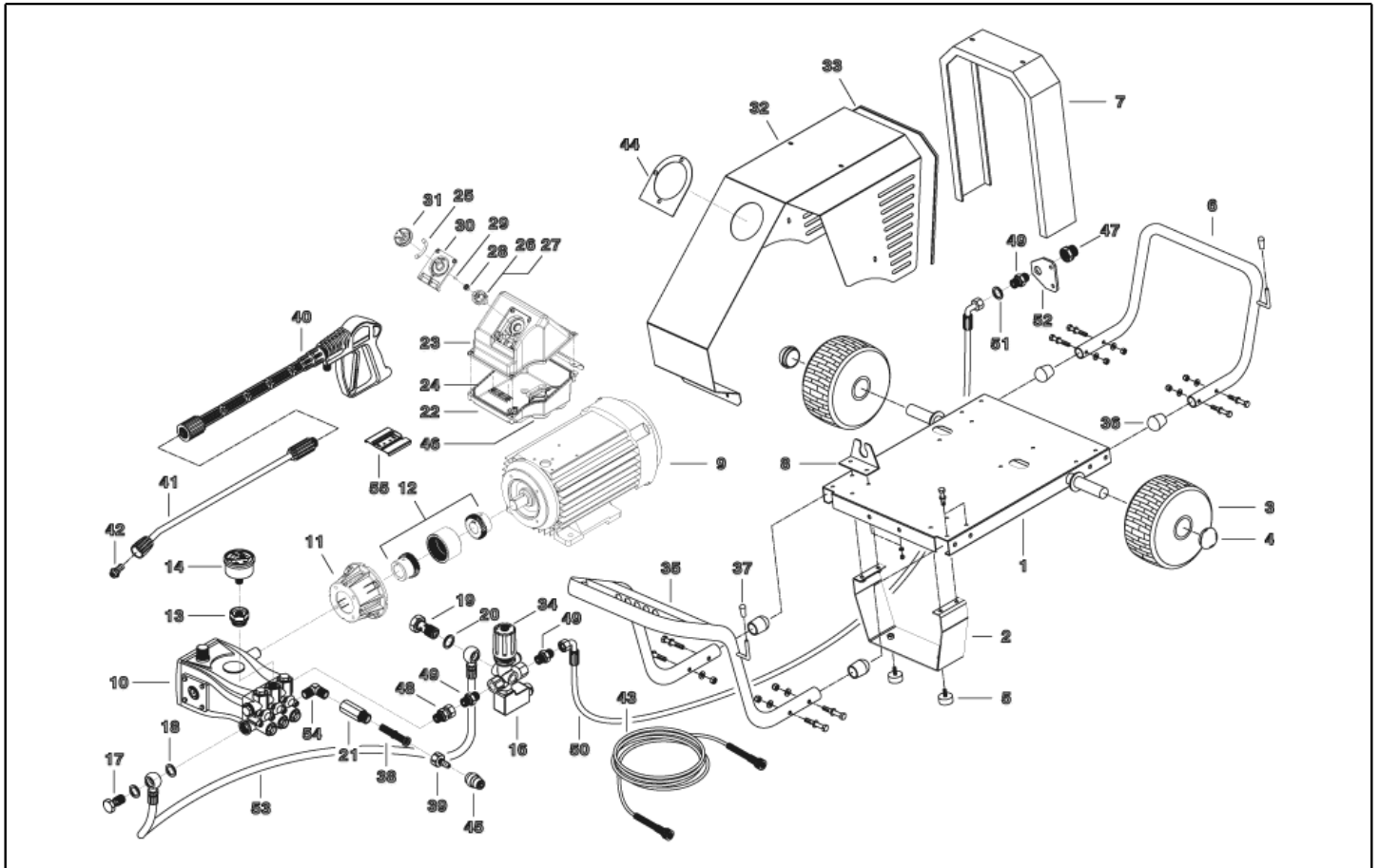


**IPC**

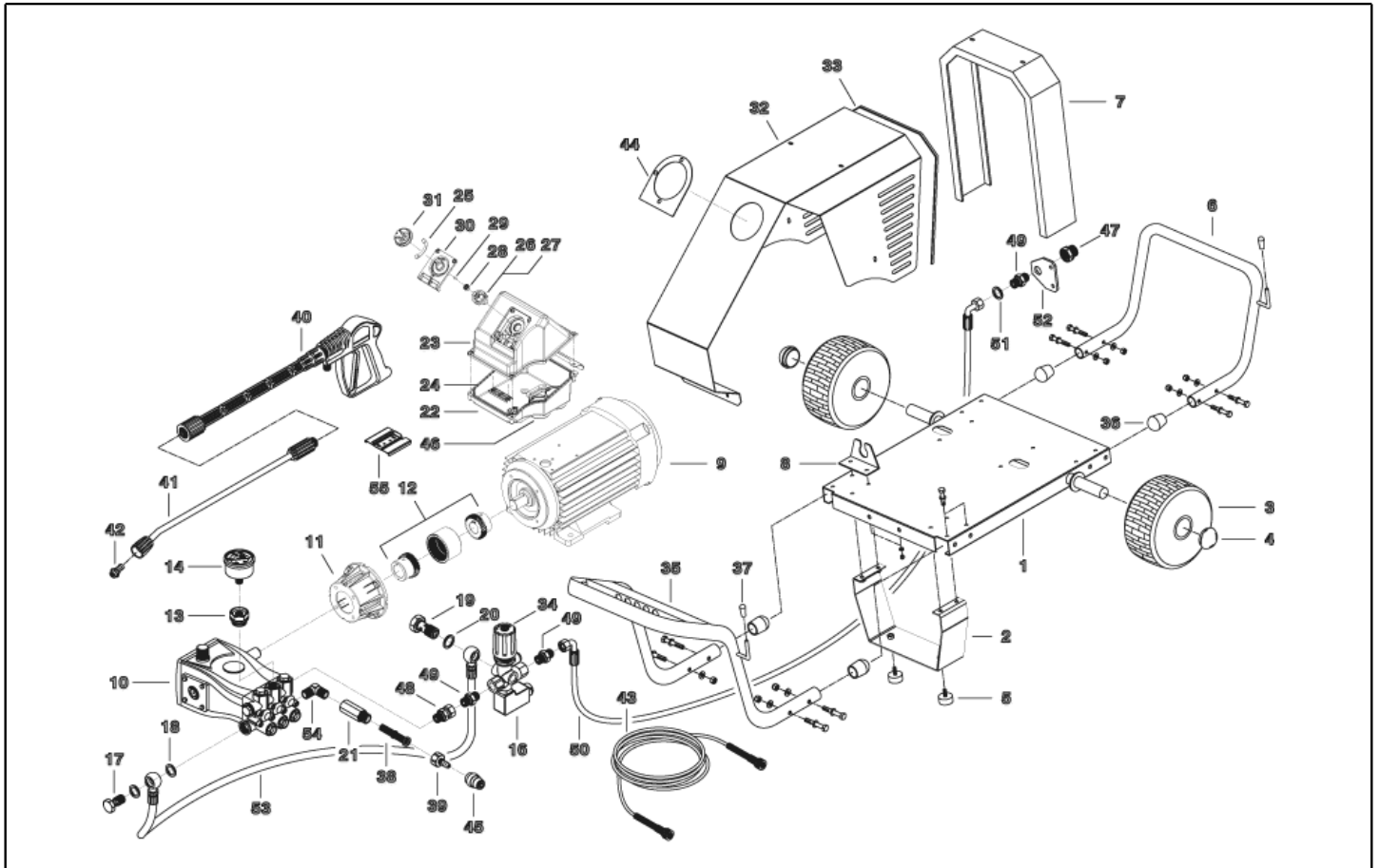
**Spare parts list**

Ref: IDAF40333

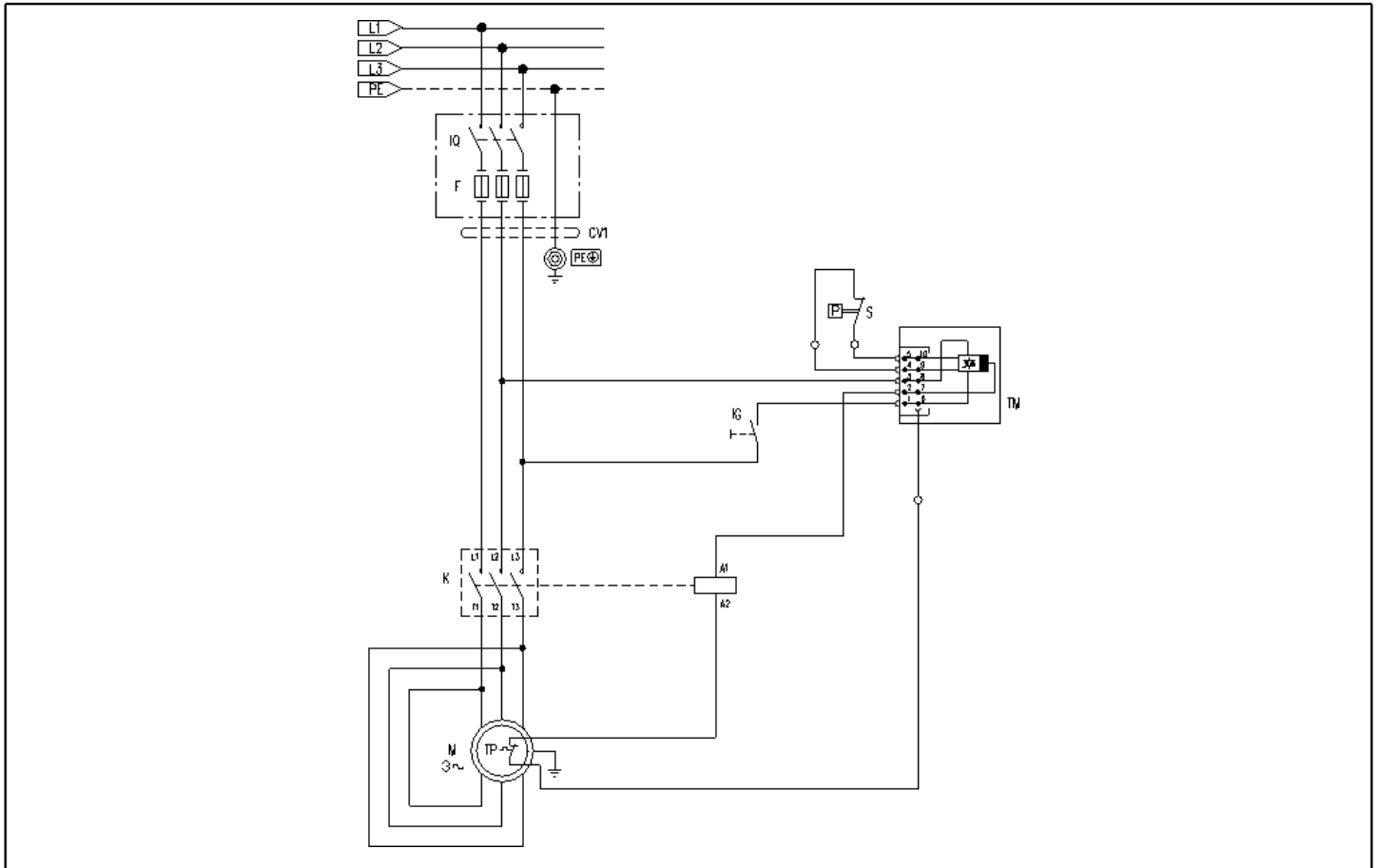
Model: H.P. CLEANER PW-C80 D2517P T230/50IPC



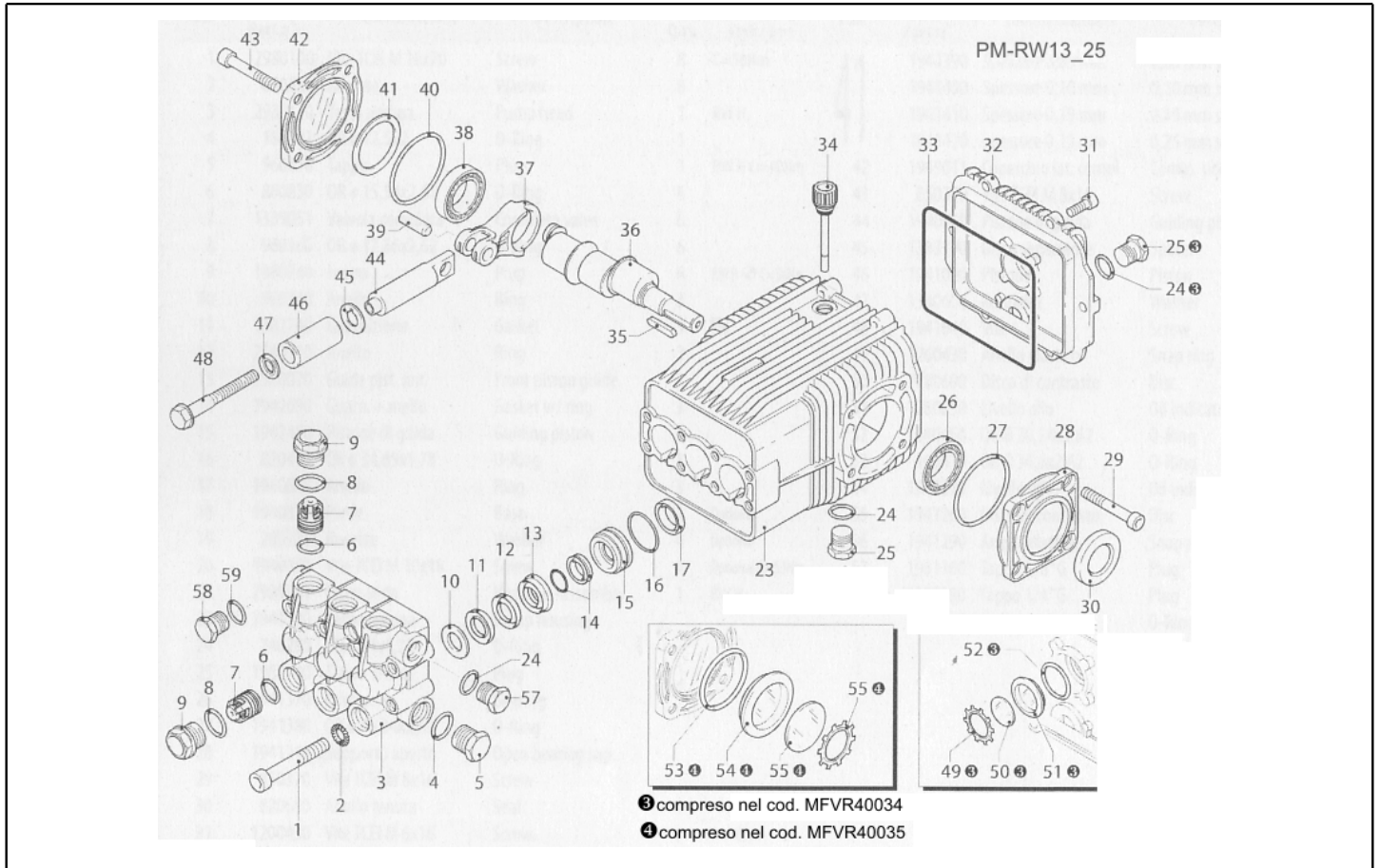
Ref. K	Part n.	Customer part n.	Description	Quantity	Validity		Price
					From	To	
0001	LAFN40179		CHASSIS BENZ HP 9-13	1,00			--
0002	LAFN40181		FOOT BENZ HP 9-13	1,00			--
0003	RTRT40006		WHEEL D. 13.5"X 6/ 6 -D.25 PN.	2,00			--
0004	VTVR01268	00001268	HUB CAP D. 25	2,00			--
0005	MPVR60726	00060726	VIBRATION DAMP. TCC48X25- 1M8X16 60SH GMM	2,00			--
0006	LAFN40183		BUMPER BENZ HP 9-13	1,00			--
0007	LAFN40451		BRACKET PW-C80 BK.	1,00			--
0008	LAFN40452		BRACKET PW-C80 M25 BK.	1,00			--
0009	MOTR89784		3PH MOTOR B3-14 HP10 23/400-50 E.X5	1,00			--
0010	PPAP40075		PUMP RW 15.25 DX NC	1,00			--
0011	MFVR89552		FLANGE MOTOR H 112 B14-P237 9HP	1,00			--
0012	FGGT88467		FLEX. COUPLING P105 HP 9.0 CPL.	1,00			--
0013	PVVR40209		CAP AR RW C/F. 1/4F+OR	1,00			--
0014	MNMN89878		PRESSURE GAUGE G1/4 0-400 D.50 INOX	1,00			--
0016	VVAZ89669		VALVE BP 9 3/8F-250B. +SWITCH	1,00			--
0017	RCDS16328	00016328	SCREW G 1/2 D.8	1,00			--
0018	VTRS12491	00012491	WASHER 1/2	2,00			--
0019	RCDS01371	00001371	SCREW G 3/8 A.P.	1,00			--
0020	VTRS12492	00012492	WASHER 3/8	2,00			--
0021	RCDS89865		SLEEVE 3/4-1/2 M/F P237 OT	1,00			--
0022	MPVR40345		BOX COVER P237-C80 PA6 BK.	1,00			--
0023	MPVR89768		CONTROL BOX P237 PA6 BK.	1,00			--
0024	GUGO11309	00011309	JOINT MOUSSE D. 3	0,80			--
0025	LAFN40454		BRACKET PW-C80 ZC.	1,00			--
0026	MPVR89759		TAIL PIECE P237 INT. PA6 BK.	1,00			--
0027	GUGO01032	00001032	O-RING D. 17.13 X 2.62 NBR 70SH	1,00			--
0028	MPVR89760		ROLLER P237 PA6 BK.	1,00			--
0029	LAFN89793		PIN P237 INX	1,00			--
0030	MPVR89763		COVER P237 PA6 BK.	1,00			--
0031	MPVR89762		BLACK KNOB P237 PA6	1,00			--
0032	LAFN40455		COVER PW-C80 INX	1,00			--
0033	GUVR13437	00013437	EDGE H=10	3,70			--
0035	LAFN40188		HANDLE BENZ HP 9-13	1,00			--
0036	MPVR01697	00001697	PROD D.30 1.02.109	2,00			--
0036	MPVR32471	00032471	PROD D. 8 BK	1,00			--
0037	MPVR32471	00032471	PROD D. 8 BK	1,00			--
0037	MPVR01697	00001697	PROD D.30 1.02.109	2,00			--
0038	FTAC30214	00030214	FILTER D.15X67	1,00			--
0039	RCVR29600	00029600	SOCKET PTC 3/4 F	1,00			--
0040	IPPR40010		GRIP G 5100+P.330 +M22 SW.M V	1,00			--
0041	LCPR12976	00012976	EXTENSION P 70	1,00			--
0042	UGLN49986	00049986	NOZZLE LECH 1/4 1504	1,00			--
0043	TBAP25324	00025324	H.P. HOSE R1 MT 10 5/16" C/2 IRV ZC	1,00			--
0044	ETET40420		LABEL PW-C80 PLC	1,00			--



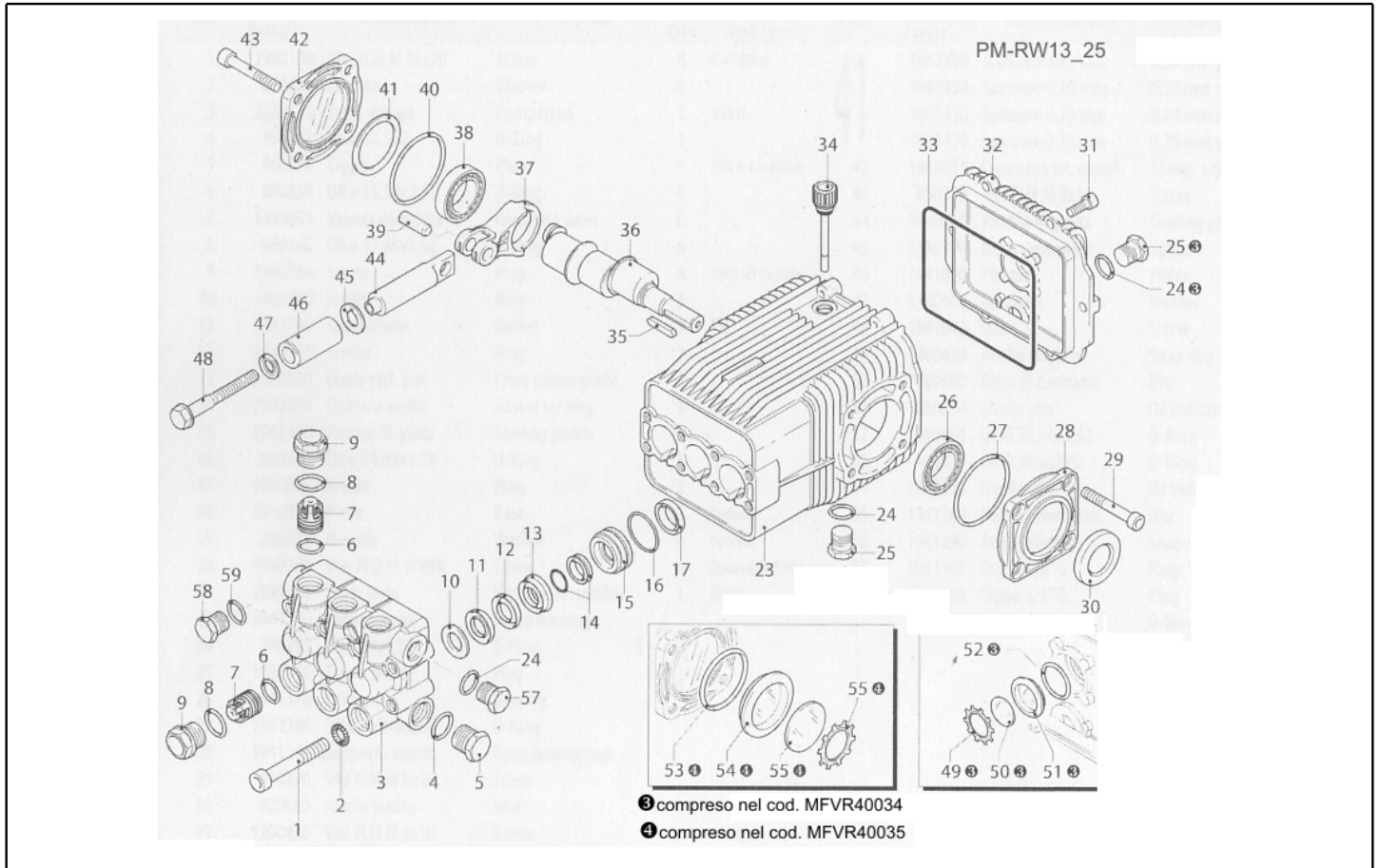
Ref. K	Part n.	Customer part n.	Description	Quantity	Validity		Price
					From	To	
0045	RCVR29602	00029602	CONNECTOR D. 1/2"-5/8" PTC	1,00			--
0046	GUGO89794		O-RING 41.28 X 3.53- NBR -70SH	1,00			--
0047	RCIN03753	00003753	MALE COUPLING M22-3/8 M-FA	1,00			--
0048	RCVR00563	00000563	SWIVEL RACCORD 3/8 M/F	1,00			--
0049	RCDS00610	00000610	NIPPLE 3/8 - 3/8 SV	3,00			--
0050	TBAP40084		HOSE-FITTING 3/ 8 L=430 R2 3/8F45- 90°	1,00			--
0051	VTRS00548	00000548	WASHER D.17,5X23X1,5 (3/8)RM	1,00			--
0052	LAFN40453		SUPPORT PW-C80 DS BK.	1,00			--
0053	TBBP28994	00028994	L.P. HOSE L= 390 1/2OCC-3/8OCC. 90°	1,00			--
0054	RCVR72843	00072843	CONNECTOR 90g 1/2"Gj AP	1,00			--
0055	LAFN46067	00046067	SUPPORT L.60 P176	1,00	21/02/2015		--
0055	LAFN46067	00046067	SUPPORT L.60 P176	1,00	28/02/2012	31/01/2013	--



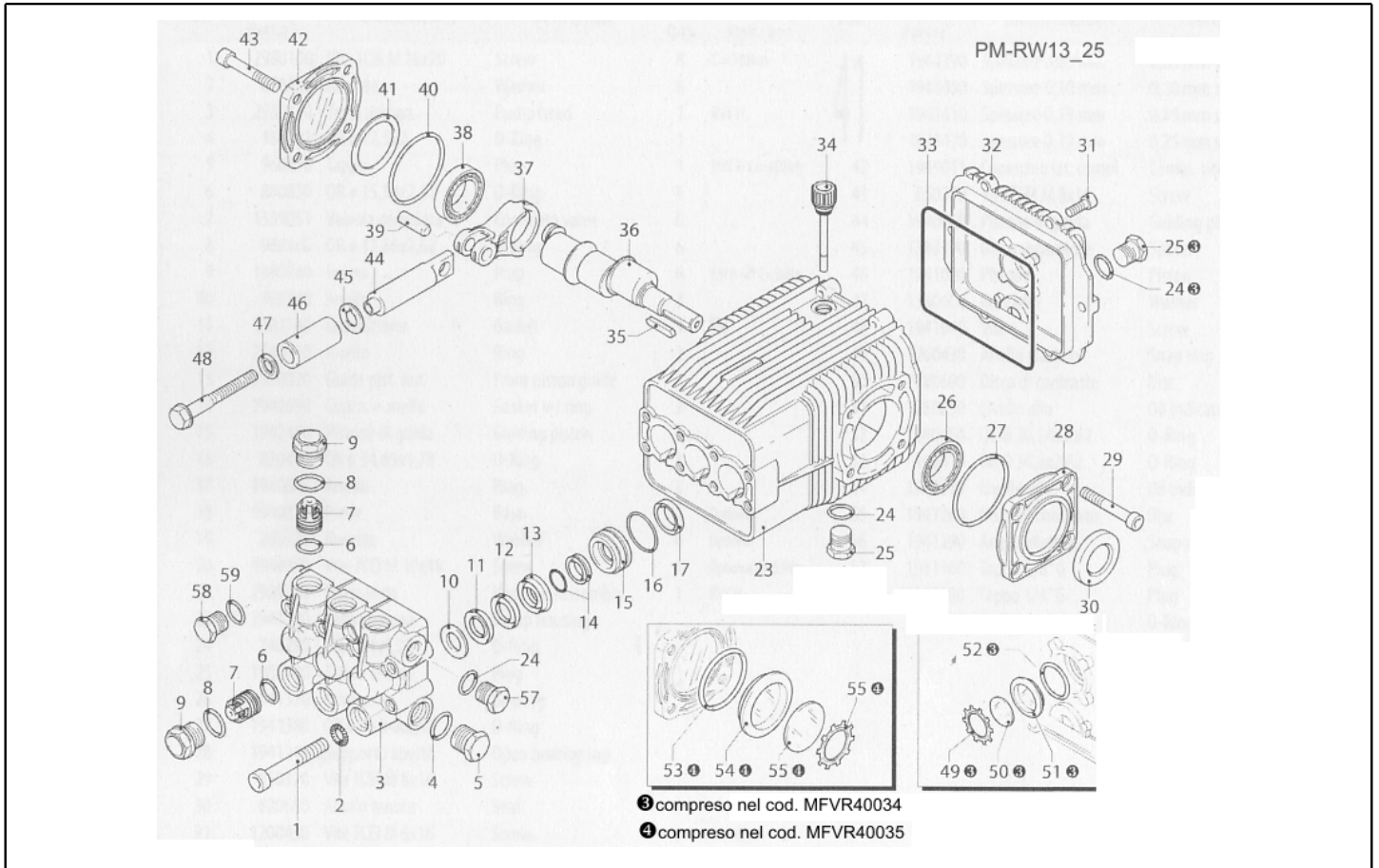
Ref. K	Part n.	Customer part n.	Description	Quantity	Validity		Price
					From	To	
K	METT40026		CONTACTOR SIE 3RT 2027-1AL20 230V	1,00	21/02/2015		--
K	METT45020	00045020	CONTACTOR SIE 3RT 1034 1AL20 230V	1,00		20/02/2015	--
IG	MECI37646	00037646	MICROSWITCH XGA2-88 16(6)A	1,00			--
TM	METY89836		TIMER THV/1+OPTO 220V 5/60 30S	1,00			--
CV1	MECB89887		CABLE H07RNF 4X4 L. 6.500	1,00			--



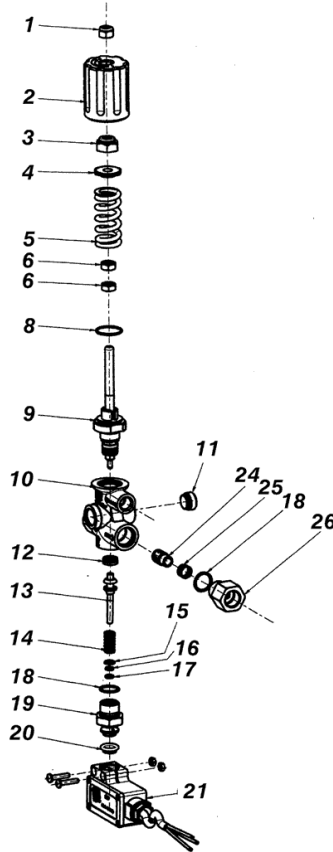
Ref. K	Part n.	Customer part n.	Description	Quantity	Validity		Price
					From	To	
0001	VTVT40030		SCREW TCEI 10X70 UNI5931	8,00			--
0002	VTRS00519	00000519	WASHER D.10 DT	8,00			--
0003	MFVR40052		HEAD AR RW OT.	1,00			--
0004	GUGO19245	00019245	O-RING D. 17.5 X 2 NBR 70SH	1,00			--
0005	PVVR40180		CAP 1/2 M RW	1,00			--
0006	S GUGO02259	00002259	O-RING D. 15.54 X 2.62 NBR 70SH	6,00			--
0007	S VVAM40003		VALVE UNIT RR	6,00			--
0008	GUGO03502	00003502	O-RING D. 17.86 X 2.62 NBR 70SH	6,00			--
0009	PVVR40181		CAP AR RW	6,00			--
0010	S PVVR40182		HEAD RING D. 18 RW	3,00			--
0011	S GUVR40045		PACKING D. 18 RW H.P.	3,00			--
0012	S GUVR40046		ANTI-EXTR.RING D.18X28	3,00			--
0013	S PVVR40184		INTERMED. RING D. 18 RW	3,00			--
0014	S GUVR40047		PACKING D. 18 RW W2+W3	3,00			--
0015	S PVVR40185		INTERMED. RING D. 18 RW	3,00			--
0016	S GUGO63438		O-RING D. 34.65 X 1.78 NBR 70SH	3,00			--
0017	S GUGO40019		OIL SEAL RW	3,00			--
0023	MFVR40032		PUMP CRANKCASE AR RW	1,00			--
0024	GUGO09720	00009720	O-RING D. 14 X 1.78 NBR 70SH	3,00			--
0025	PVVR40099		CAP 3/8 M HRM	2,00			--
0026	CUVR09205	00009205	ROLLER BEARING 32206 A	1,00			--
0027	S GUGO01132	00001132	O-RING D. 66.35 X 2.62 NBR 70SH	1,00			--
0028	MFVR40033		CRANKCASE COVER AR RW LAT. OPEN	1,00			--
0029	VTVT01118	00001118	SCREW TCEI M 8X16 ZC. UNI 5931	4,00			--
0030	S GUGO11229	00011229	OIL SEAL 30X 52X 7 NBR70	1,00			--
0031	VTVT01531	00001531	SCREW TE 6X 16 UNI 5739	6,00			--
0032	MFVR40034		CRANKCASE COVER AR RW	1,00			--
0033	S GUGO40020		O-RING D. 132 X 3 NBR 70SH	1,00			--
0034	PVVR40150		OIL CAP AR SHP	1,00			--
0035	VTVR06364	00006364	KEY 8 X7 X40	1,00			--
0036	ALMO40020		SHAFT AR RW15.25 H	1,00			--
0037	BLVR40003		CONNECTING ROD RW	3,00			--
0038	CUVR53292			1,00			--
0039	PVVR40186		GUDGEON D. 14 RW	3,00			--
0040	S GUGO01132	00001132	O-RING D. 66.35 X 2.62 NBR 70SH	1,00			--
0041	PVVR40187		THICKNESS AR 0,05 mm	1,00			--
0041	PVVR40189		THICKNESS AR 0,10 mm	1,00			--
0041	PVVR40192		THICKNESS AR 0,19 mm	1,00			--
0041	PVVR40193		THICKNESS AR 0,25 mm	1,00			--
0042	MFVR40035		CRANKCASE COVER AR RW LAT. CPL	1,00			--
0043	VTVT01118	00001118	SCREW TCEI M 8X16 ZC. UNI 5931	4,00			--
0044	PVVR40194		PISTON GUIDE RW	3,00			--
0045	PVVR40197		DISC RW	3,00			--
0046	S PIVR40008		PISTON D.18 RW	3,00			--



Ref. K	Part n.	Customer part n.	Description	Quantity	Validity		Price
					From	To	
0047	VTRS40011		WASHER D. 6X12X1	3,00			--
0048	VTVT40031		SCREW TE M 6X 60 UNI 5737 A2	3,00			--
0049	VTAE19239	00019239	SEEGER 0,5 X25,35X16,0	1,00			--
0050	PVVR40199		DISC CONTRASTO POMPA RW	1,00			--
0051	PVVR19238	00019238	OIL INDICATOR XTS	1,00			--
0052	GUGO19395	00019395	O-RING D. 20.24 X 2.62 NBR 70SH	1,00			--
0053	GUGO01943	00001943	O-RING D. 34.6 X 2.62 NBR 70SH	1,00			--
0054	PVVR40200		OIL INDICATOR RW	1,00			--
0055	PVVR40202		DISC CONTRASTO POMPA RW	1,00			--
0056	VTAE40004		SEEGER 0,5 X40,40X30,0	1,00			--
0057	PVVR40203		CAP 3/8 M RW	1,00			--
0058	PVVR40205		CAP 1/4G M RW	1,00			--
0059	GUGO01036	00001036	O-RING D. 10.82 X 1.78 NBR 70SH	1,00			--

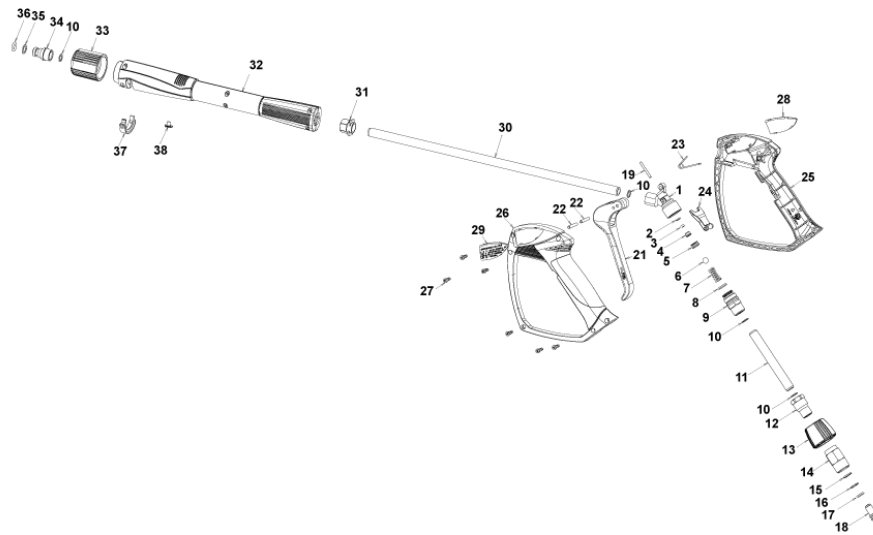


Ref. Part n.	Cust. part n.	Description	Reference	Price
K A	KTRI40156	KIT P 15-42169 RW	0006 0007	--
K B	KTRI40157	KIT P 15-42911 D.18 RW	0046	--
K C	KTRI40158	KIT P 15-42170 RW	0017 0027 0030 0033 0040	--
K E	KTRI40159	KIT P 15-42915 D.18 RW	0010 0011 0012 0014 0016	--
K H	KTRI40160	KIT P 15-42172 D.18 RW	0013 0015	--

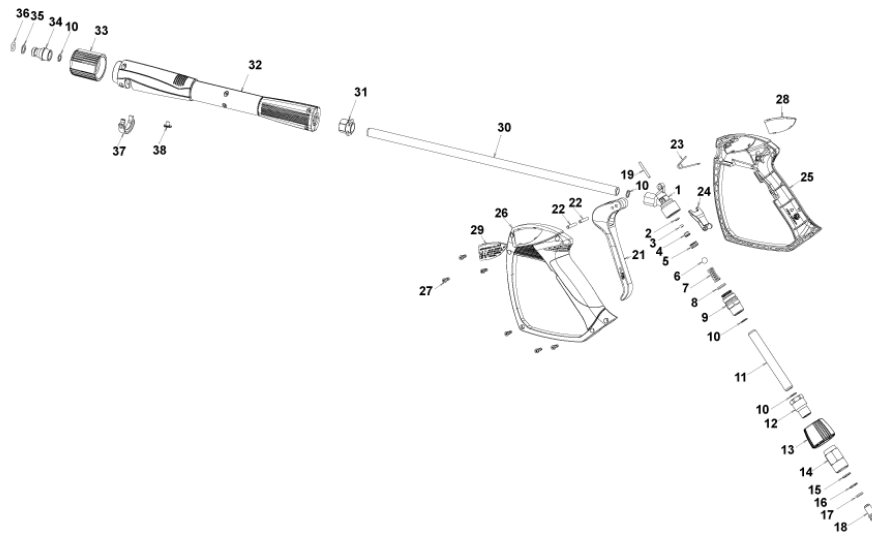


Ref. K	Part n.	Customer part n.	Description	Quantity	Validity		Price
					From	To	
0001	VTDD89669		NUT M 8 X1 AUT. INX A2	1,00			--
0002	MPVR40002		KNOB BP9 BK.	1,00			--
0003	VTDD88134	00088134	NUT M 8 BY-PASS BP91	1,00			--
0004	PVVR88140	00088140	SPRING PLATE BP91	1,00			--
0005	MLML40001		SPRING D.15.6 X27 L=51.5 250B.	1,00			--
0006	VTDD40000		NUT M 8 X1 UNI5588 INX A2	1,00			--
0008	GUGO11652	00011652	O-RING D. 12.42 X 1.78 NBR 70SH	1,00			--
0009	PVVR40016		PUSH ROD BP9 CP.	1,00			--
0010	PVVR88137	00088137	VALVE BODY BP91 RIT.3/8" F	1,00			--
0011	PVVR88139	00088139	CAP 3/8 M BP91	1,00			--
0012	PVVR88135	00088135	INSERT BY-PASS BP91	1,00			--
0013	PVVR40017		CONTROL PISTON BP9+SW.	1,00			--
0014	MLML40002		SPRING D. 7.3 X10.1 L=24.3 INX	1,00			--
0015	GUVR40004		ANTI-EXTR.RING D. 5.1X 7.9X1.5	1,00			--
0016	GUGO08071	00008071	O-RING D. 4.48 X 1.78 NBR 70SH	1,00			--
0017	VTRS00516	00000516	WASHER D. 5 INX	1,00			--
0018	GUGO03505	00003505	O-RING D. 15.6 X 1.78 NBR 70SH	2,00			--
0019	PVVR40018		VALVE GUIDE BP9	1,00			--
0020	GUGO40001		GASKET BP9	1,00			--
0021	MEPF40000		PRESSURE SWITCH BP9 -3F.	1,00			--
0022	VTDD00147		NUT M 4 INX U.5588	2,00			--
0023	VTVT27366	00027366	SCREW M 4X20 TCB T-CROCE INOX	2,00			--
0024	PVVR49636	00049636	SMALL PISTON BP91 C/OR	1,00			--
0025	MLML40004		SPRING BP 9	1,00			--
0026	PVVR49638	00049638	CONNECTOR BP91 3/8F	1,00			--





Ref. K	Part n.	Customer part n.	Description	Quantity	Validity		Price
					From	To	
0001	PVVR40381		GUN BODY G 5100 G1/4F	1,00			--
0002	S GUVR40074		ANTI-EXTR.RING D. 3 X 7.4X1.3	1,00			--
0003	S GUGO21835	00021835	O-RING D. 2.84 X 2.62 VIT. 80SH	1,00			--
0004	PVVR40382		PISTON GUIDE G 5100	1,00			--
0005	S PVVR40112		BALL SEAT G 5000	1,00			--
0006	S SFVR27026	00027026	BALL D.11/32" INX	1,00			--
0007	MLML40016		SPRING D. 9.4 x21.5x1.6 G5000	1,00			--
0008	GUGO12322	00012322	O-RING D. 14 X 1.78 NBR 90SH	1,00			--
0009	PVVR40383		CONNECTOR COLL.G5100 1/4F	1,00			--
0010	VTRS40017		WASHER D. 8.2X11,4X1.00	4,00			--
0011	PVVR40384		TUBE G 1/4" L.105	1,00			--
0012	RCIN40022		CONNECTOR SWIV G5100 1/4F	1,00			--
0013	MPVR40486		RING NUT G 5100 SW. GR.	1,00			--
0014	RCIN40021		JOINT SWIV 5100 M22	1,00			--
0015	S GUVR40075		ANTI-EXTR.RING D. 10 X14X1.5	1,00			--
0016	S GUVR40076		ANTI-EXTR.RING D. 11.2X14X1.2	1,00			--
0017	S GUGO15295	00015295	O-RING D. 10.82 X 1.78 VIT 80SH	1,00			--
0018	PVVR40386		SCREW SW. G 5100	1,00			--
0019	PVVR40387		SMALL PISTON G 5100	1,00			--
0021	MPVR40487		TRIGGER G 5100-SW	1,00			--
0022	VTVR40047		PLUG D. 4X29	2,00			--
0023	MLML40029		SPRING G 5100	1,00			--
0024	MPVR40488		SAFETY-DEVICE G 5100-SW	1,00			--
0025	MPVR40489		SHELL G 5100-SW DX	1,00			--
0026	MPVR40490		SHELL G 5100-SW SX	1,00			--
0027	VTVT40043		SCREW AF 4X 14 HILO ZN.N	6,00			--
0028	MPVR40491		PLATE G 5100 GR.DX	1,00			--
0029	MPVR40492		PLATE G 5100 GR.SX	1,00			--
0030	LCPR40086		TUBE 1/4 L=420 ZC. 0°	1,00			--
0031	MPVR40493		CONNECTOR G 5100-SW	1,00			--
0032	MPVR40494		PROTECTION P 420 C/AN.	1,00			--
0033	PVVR40119		CONNECTION M22X1.5 IRV G5000	1,00			--
0034	RCIN40009		GUDGEON G 1/4 F IRV G5000	1,00			--
0035	GUVR40034		ANTI-EXTR.RING D. 10 X14	1,00			--
0036	GUGO01946	00001946	O-RING D. 9.13 X 2.62 VIT 70SH	1,00			--
0037	MPVR40495		CAP G 5100 REM.	1,00			--
0038	MPVR40198		CAP G 5000	1,00			--



Ref. Part n.	Cust. part n.	Description	Reference	Price
KTRI40242		KIT P 26- 25 G 5100	0002 0003 0005 0006	--
KTRI40243		KIT P 26- 26 SWIVEL G 5100	0015 0016 0017	--