

Integrated Professional Cleaning



IPC Foma



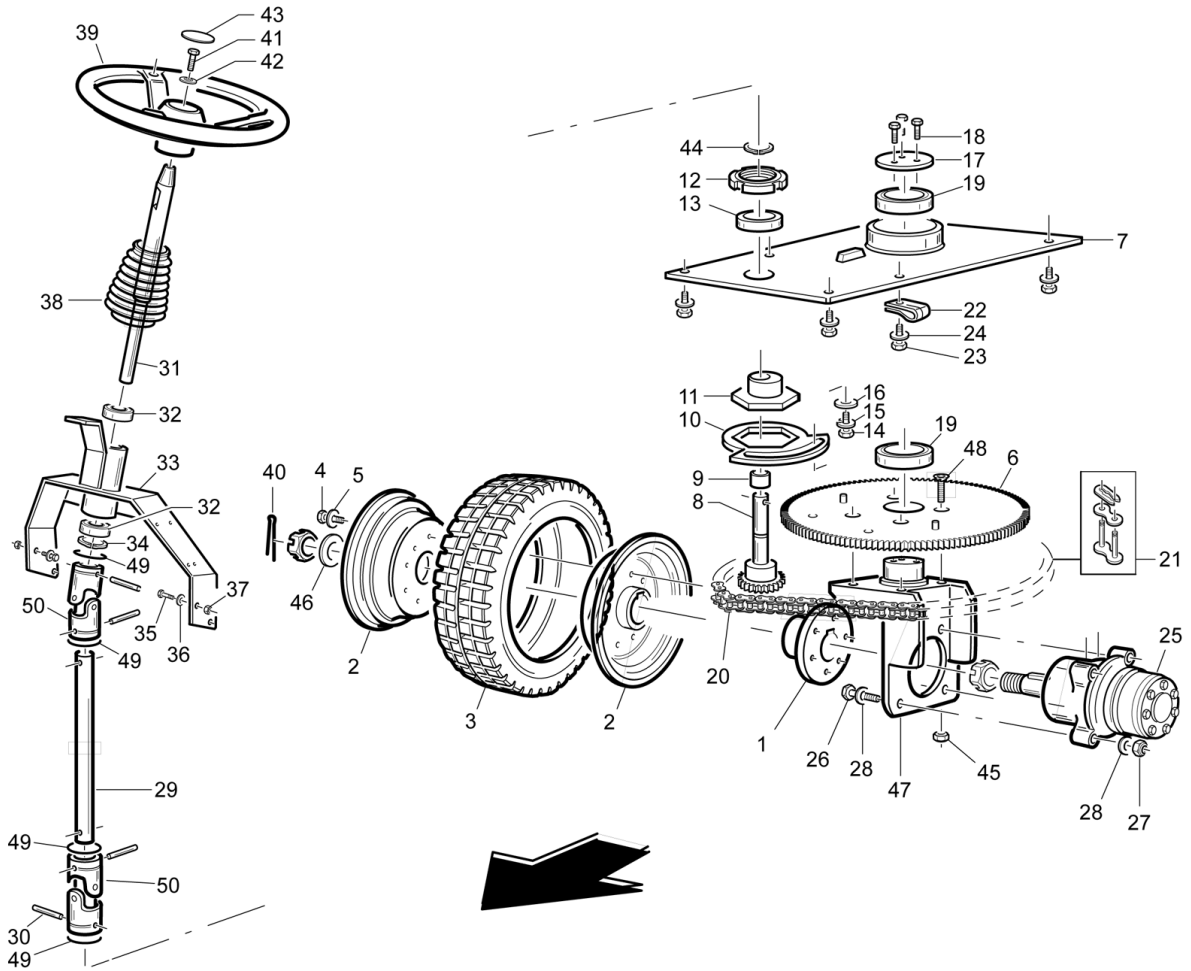
IPC Sverige

Spare Parts List

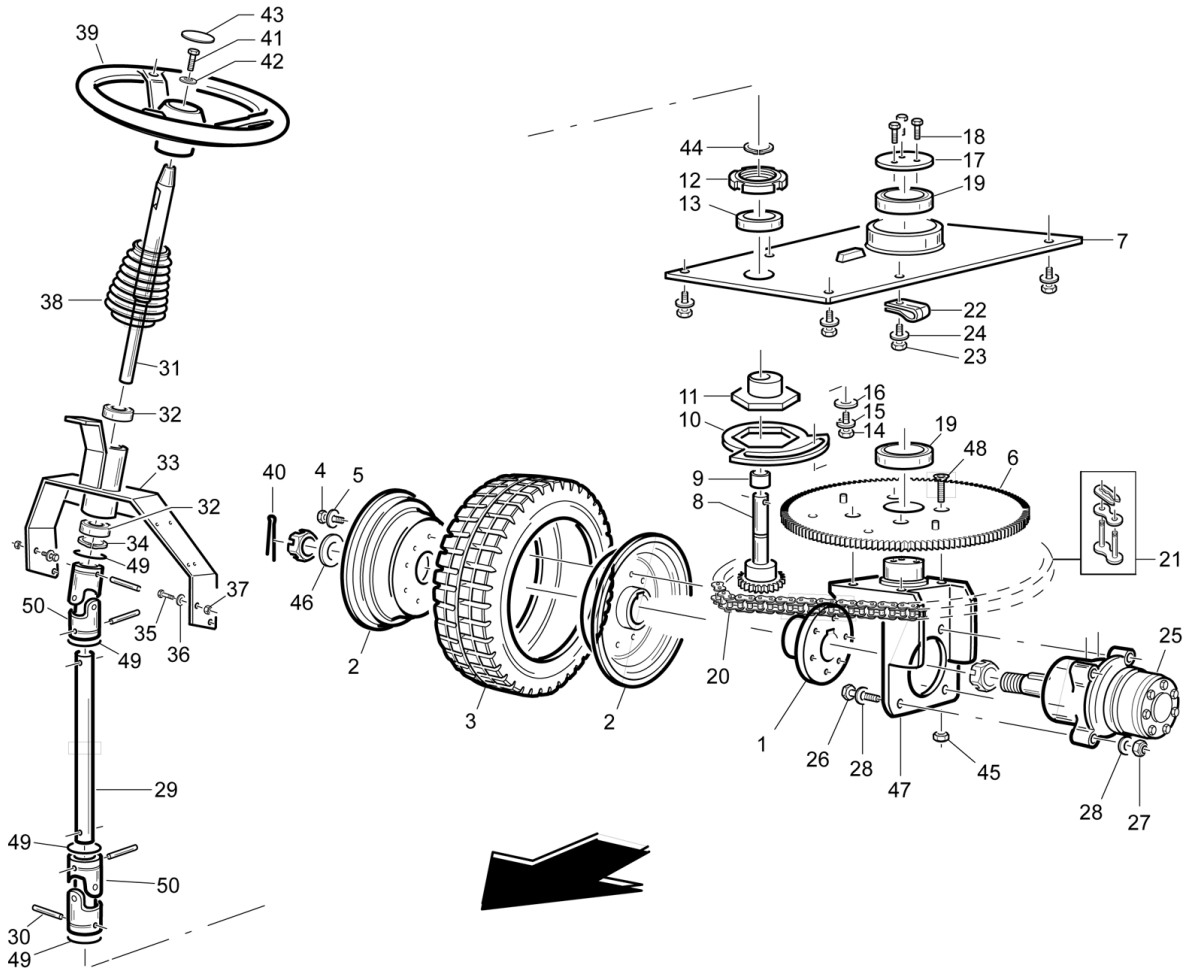
FOMA NORGE AS

Ref: MSUB00417

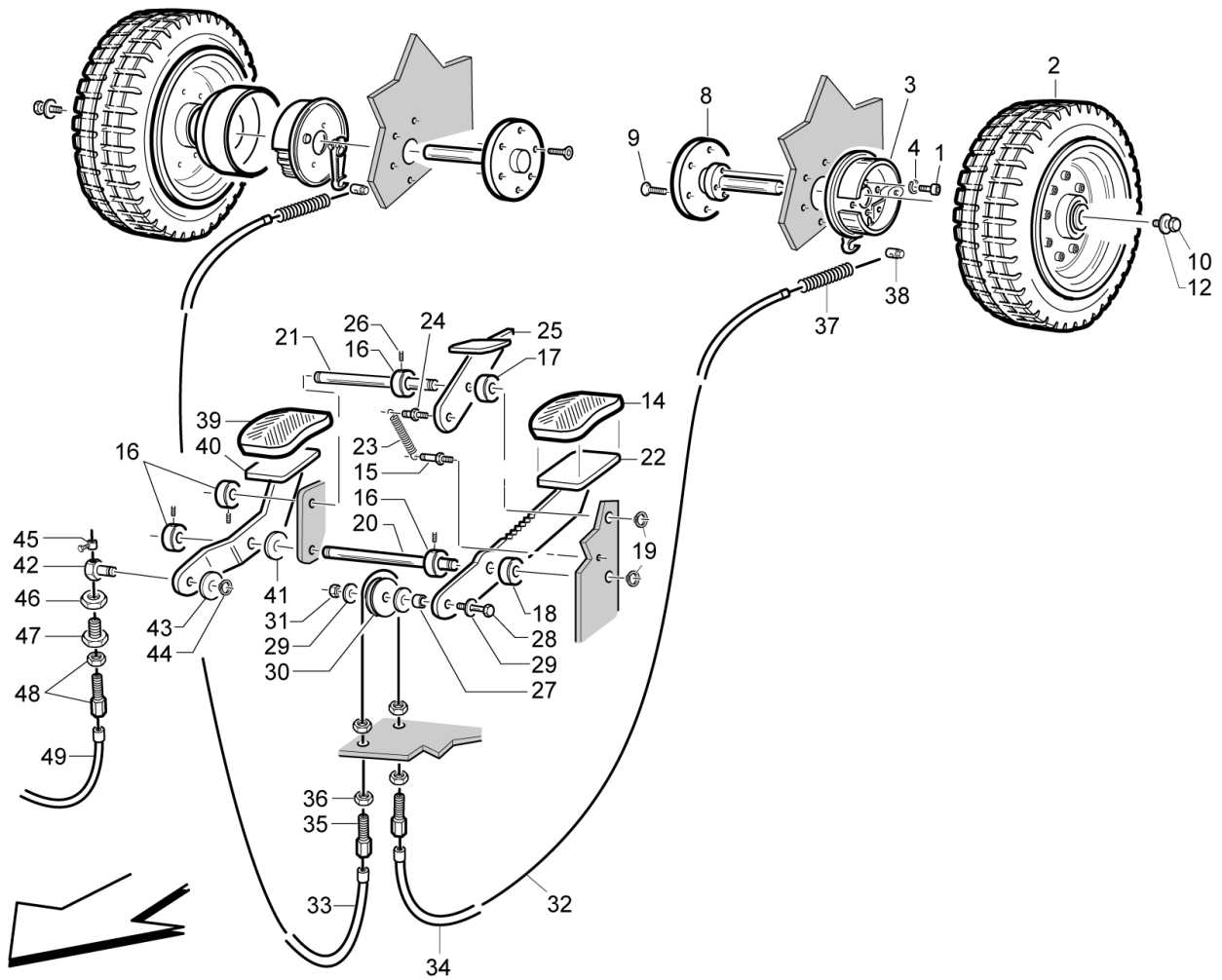
Model: 1450 D GR/VE YANMAR



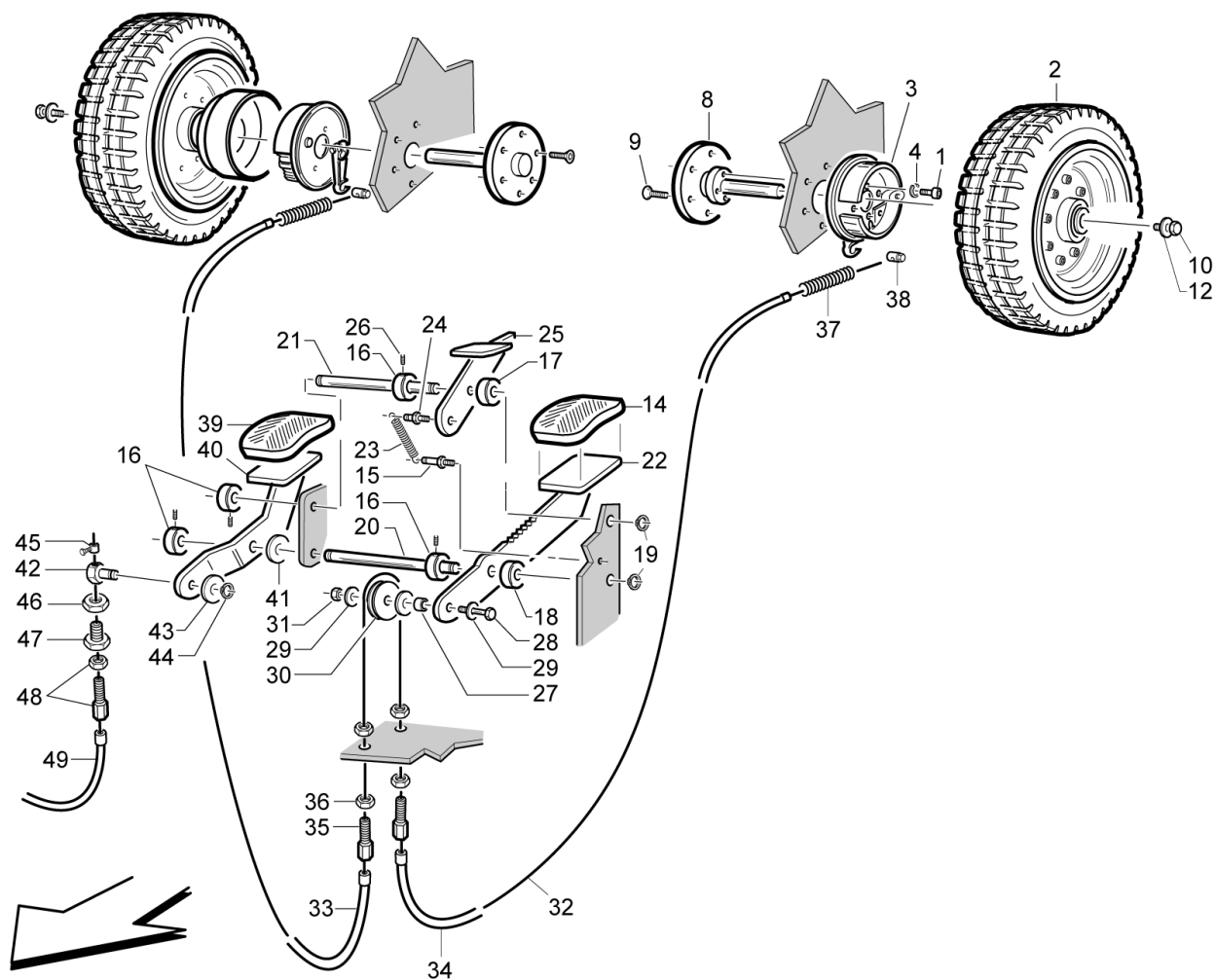
Ref.	K	Part N.	Customer Part N.	Description	Qty	Validity:		Price
						From	To	
0001		LAFN41026		HUB TRACTION WHEEL 1450	1,00			--
0002		LAFN41025		WHEEL 6" WITH HOLE 90 MM	2,00			--
0003		RTRT00389		WHEEL 4.00 6" RUBBER	1,00			--
0004		VTVT13944		SCREW TCEI M 8X20 UNI 5931 INX	8,00			--
0005		VTRS15146		WASHER D. 8 INX GRW UNI 1751	8,00			--
0006		LAFN06945		BRAKE -	1,00			--
0007		LAFN45094		FLANGE TK1400	1,00			--
0008		LAFN07840		PIN -	1,00	01/2010		--
0008		LAFN75974		PIN TK 1000	1,00		01/2010	--
0009		LAFN75841		BUSHING TK 1000	2,00			--
0010		LAFN47039		FLANGE L.14	1,00			--
0011		LAFN75842		BUSHING TK 1000	1,00			--
0012		VTVR75747		RING NUT AUTOBLOK M 35 X 1,5 GUK	1,00			--
0013		LAFN75913		SPACER TK	1,00			--
0014		VTVT01110		SCREW TE 8X16 UNI5739	1,00			--
0015		VTRS01080		WASHER D. 8 GRW	1,00			--
0016		VTRS00512		WASHER D. 8 X24 ZC.	1,00			--
0017		LAFN47004		FLANGE TK1400	1,00			--
0018		VTVT00014		SCREW TE UNI 5739 8X20 CL.10.9	3,00			--
0019		CUVR75816		BEARING 51112	2,00			--
0020		MTCR45093		CHAIN 3/8 TK1400 STE.	1,00			--
0021		MTCR47037		WARP KNITTING 3/8	1,00			--
0022		FSVR00005		CLAMP TIPO "ECO"FORO MM8 D.1 W0	1,00			--
0023		VTVT00448		SCREW TE 8X30 UNI5739	6,00			--
0024		VTRS01080		WASHER D. 8 GRW	6,00			--
0025		MOID00025		MOTOR -	1,00			--
0026		VTVT00029		SCREW TE UNI 5739 12X60 ZB	4,00			--
0027		VTDD00494		NUT M12 TEF	4,00			--
0028		VTRS00506		WASHER D.12 UNI 6592	4,00			--
0029		PMTR00021		SHAFT STERZO 1000 T.NUOVO COMPL	1,00		01/2010	--
0029		PMVR01693		SHAFT -	1,00	01/2010		--
0030		VTVR00327		PLUG -	2,00		01/2010	--
0030		VTVR01039		PLUG -	2,00	01/2010		--
0031		LAFN06740		SHAFT 1450	1,00			--
0032		CUVR00005		BEARING 6202 2RS	2,00			--
0034		VTAE17003		CIRCLIP D. 15 UNI 7435	1,00			--
0035		VTVT63129		SCREW TE F/ROND. M 8X16 ZB	4,00			--
0036		VTRS00504		WASHER D. 8 TE ZC. UNI 6592	4,00			--
0037		VTDD00492		NUT M 8 ZINC	4,00			--



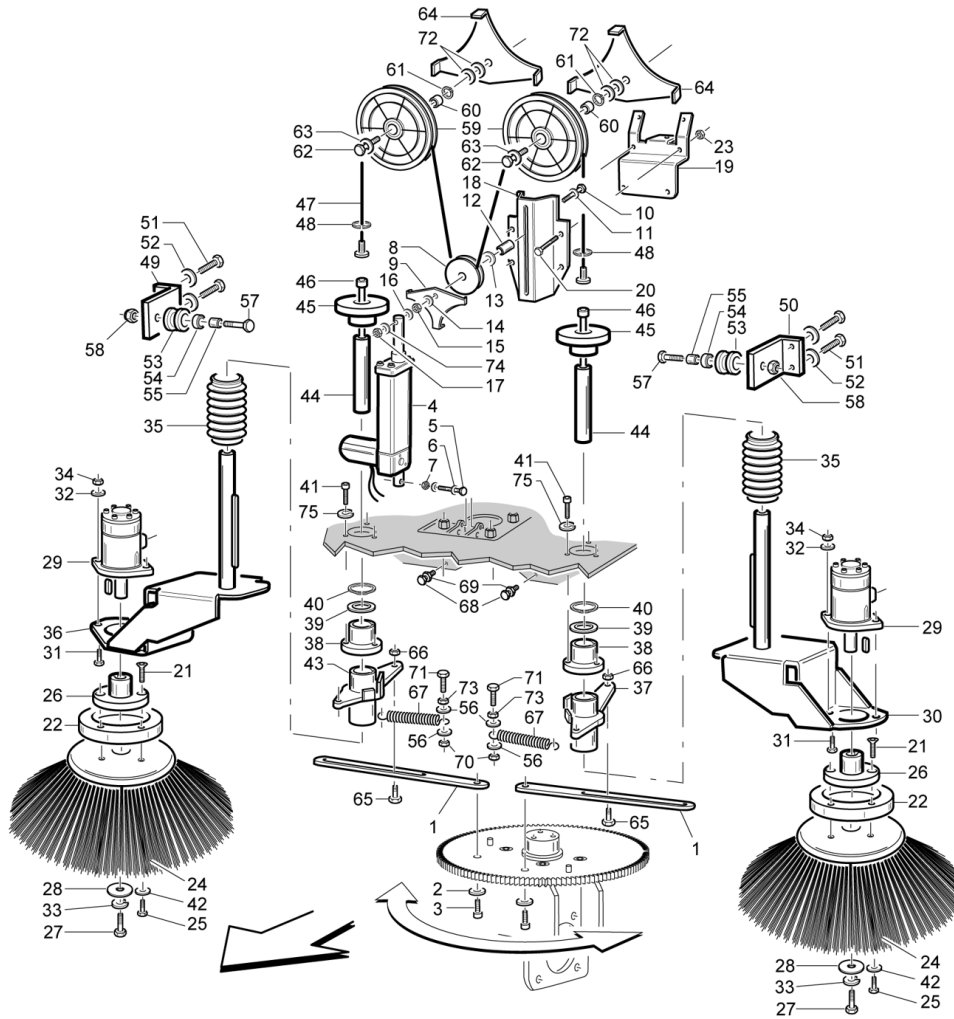
Ref. K	Part N.	Customer Part N.	Description	Qty	Validity:		Price
					From	To	
0038	MPVR05237		PROTECTOR -	1,00			--
0039	MPVR01517		STEERING WHEEL	1,00			--
0040	VTVR00417		SPLIT PIN 3X40	1,00			--
0041	VTVT00455		SCREW TE 10X20 UNI5739	1,00			--
0042	VTRS44254		WASHER D.10 X40X2.5 UNI6593	1,00			--
0043	MPVR47026		BLACK CAP L.14	1,00			--
0044	VTAE17003		CIRCLIP D. 15 UNI 7435	1,00			--
0045	VTDD00483		NUT M 8 ZIN UNI 5588	4,00			--
0046	VTRS73055		WASHER D.44x26x4 ZC U.6592	1,00			--
0047	LAFN07756		SUPPORT -	1,00	06/2015		--
0047	LAFN41021		SUPPORT ANTERIOR WHEEL	1,00		06/2015	--
0048	VTVT47143		SCREW TSPEI M 10X 16 ZC UNI5933	4,00			--
0049	VTAE00080		CIRCLIP -	4,00	01/2010		--
0050	VTVR00562		ARTICULATION -	2,00			--



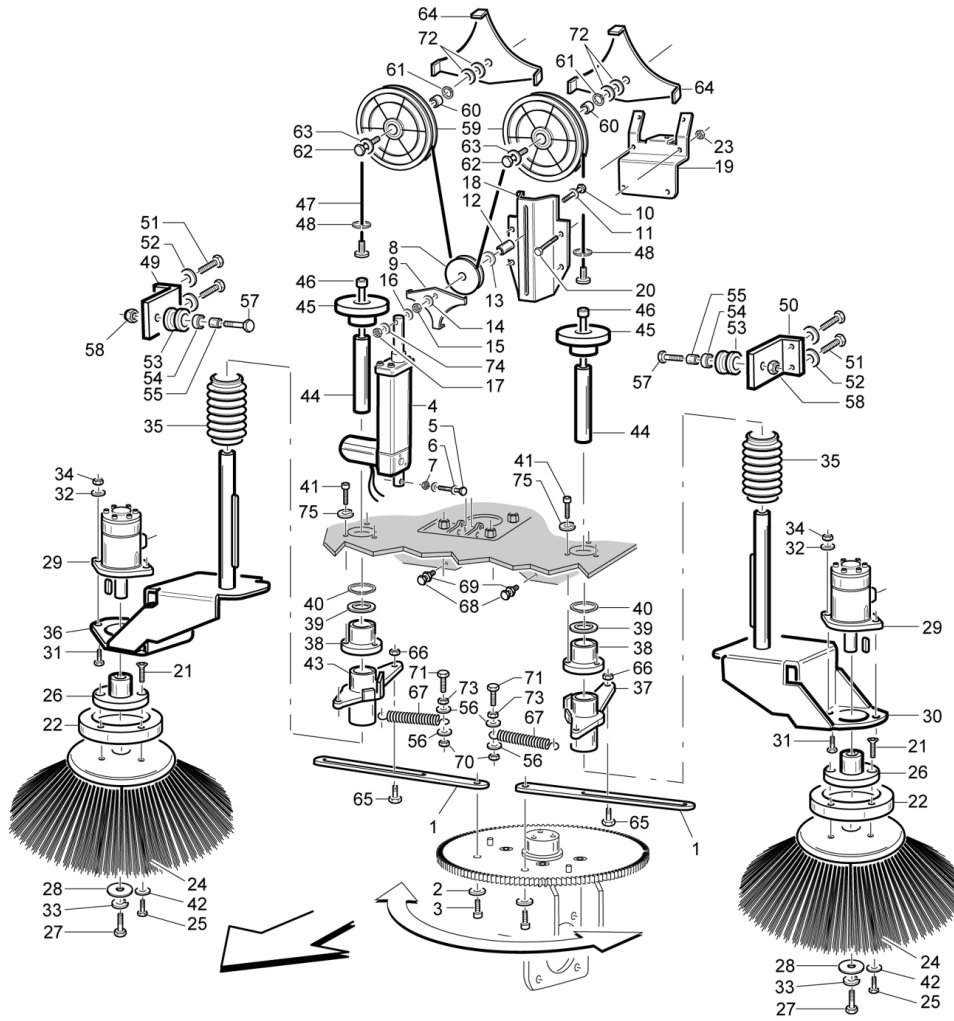
Ref.	K	Part N.	Customer Part N.	Description	Qty	Validity:		Price
						From	To	
0001		VTVT01118		SCREW TCEI M 8X16 ZC. UNI 5931	8,00			--
0002		RTRT00393		WHEEL -	2,00			--
0003		RTRT45090		BLOCK BRAKE D.125 TK	2,00			--
0004		VTRS01080		WASHER D. 8 GRW	8,00			--
0008		LAFN41022		WHEEL PIN POSTERIOR	2,00			--
0009		VTVT00129		SCREW TSCE UNI 5933 8X20 ZB	12,00			--
0010		VTVT13936		SCREW TE M 10X 20	2,00			--
0012		LAFN04144		WASHER RUOTE POSTERIORI	2,00			--
0014		MPVR45096		RUBBER V 1201 GR.	1,00			--
0015		LAFN47035		PIN CH.10 H.26	1,00			--
0016		LAFN47030		BUSHING L.14	4,00			--
0017		LAFN47033		BUSHING L.14	1,00			--
0018		LAFN47019		BUSHING L.14	1,00			--
0019		VTAE87276		SEEGER EXT. D10 DIN471	2,00			--
0020		LAFN47036		PIN BRK.+FLAP L.14	1,00			--
0021		LAFN47031		PIN L.14	1,00			--
0022		LAFN47034		BRAKE PEDAL L.14	1,00			--
0023		MLML75960		SPRING D. 8 X1 X32	1,00			--
0024		LAFN47029		PIN CH.10 H.16	1,00			--
0025		LAFN47032		PEDALE L.14	1,00			--
0026		VTVT75731		SCREW UNI 5923 6 X5	3,00			--
0027		LAFN03940		BUSHING 8/12-5,25	1,00			--
0028		VTVT00447		SCREW TE 8X25 UNI5739	1,00			--
0029		VTRS00504		WASHER D. 8 TE ZC. UNI 6592	1,00			--
0030		MTPL00081		PULLEY BRAKE	1,00			--
0031		VTDD00124		NUT M 8 BASSO	1,00			--
0032		CMCV00231		CABLE brake pedal	1,00			--
0033		CMCV00229		SHEATH	1,00			--
0034		CMCV00145		SHEATH	1,00			--
0035		CMCV02397		REGISTER CH.12X 8MAX35	2,00			--
0036		VTDD00057		NUT UNI 5589 M8 BASSO ZB	2,00			--
0037		MLML75964		SPRING D. 11,3 X100 X1,5 TK	2,00			--
0038		CMCV32233		CLAMP VT10 X 16 M 6	2,00		01/2010	--
0038		VTVR00560		CLAMP -	2,00	01/2010		--
0039		MPVR45096		RUBBER V 1201 GR.	1,00			--
0040		LAFN47133		PEDALE L.14 FLAP	1,00			--
0041		VTRS00505		WASHER D.10 TE UNI 6592	1,00			--
0042		LAFN75973		PIN FLAP TK	1,00			--
0043		VTRS00506		WASHER D.12 UNI 6592	1,00			--



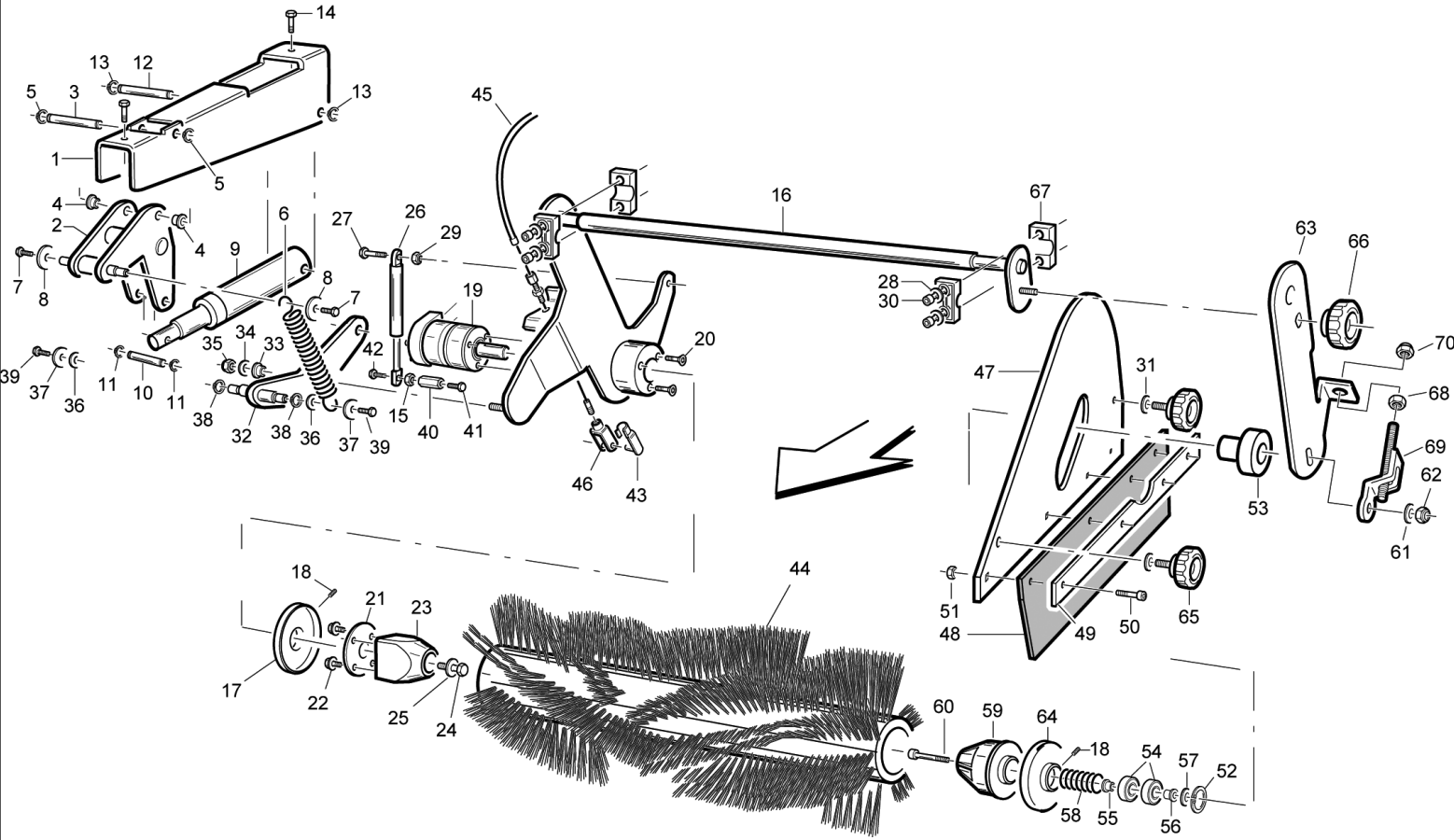
Ref.	K	Part N.	Customer Part N.	Description	Qty	Validity:		Price
						From	To	
0044		VTAE14016		CIRCLIP D. 12 UNI 7435	1,00			--
0045		VTVR00028		CLAMP PER CASSETTO G1300	1,00			--
0046		VTDD01682		NUT M12 ZC UNI 5588	1,00			--
0047		LAFN75975		PIN TK	1,00			--
0048		CMCV75723		REGISTER D.7	1,00			--
0049		CMCV47132		SHEATH L.14 A.FLAP	1,00			--



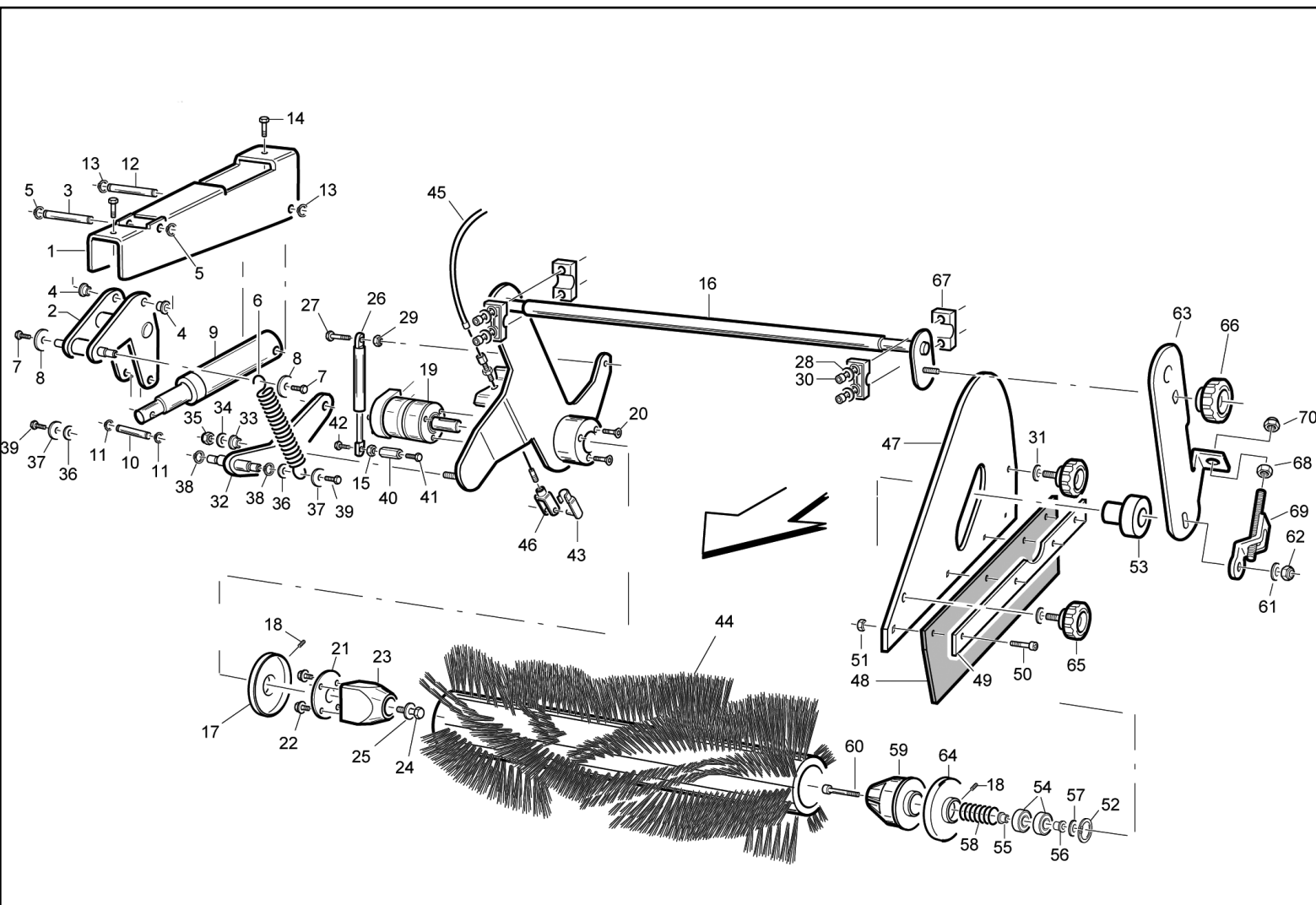
Ref.	K	Part N.	Customer Part N.	Description	Qty	Validity:		Price
						From	To	
0001		LAFN47079		ROD L.14	2,00			--
0002		VTRS15958		WASHER D. 5 X15 UNI 6593	2,00			--
0003		VTVT00058		SCREW TCEI M 5X12 ZB U.5931	2,00			--
0004		MOCC00339		ATUATOR 1450	1,00			--
0005		VTVT01537		SCREW TE 8X55 UNI5739	1,00			--
0006		VTRS00504		WASHER D. 8 TE ZC. UNI 6592	2,00			--
0007		VTDD00492		NUT M 8 ZINC	1,00			--
0008		MTPL00200		PULLEY 1450	1,00			--
0009		LAFN06934		SHEET METAL PA.1450	1,00			--
0010		VTVT17344		SCREW TE 6X50 UNI5739	1,00			--
0011		VTRS04026		WASHER D. 6X18X2.38	1,00			--
0012		LAFN03742		SPACER SILENZIATORE	1,00			--
0013		VTRS00512		WASHER D. 8 X24 ZC.	1,00			--
0014		VTRS04026		WASHER D. 6X18X2.38	1,00			--
0015		VTDD00482		NUT M 6 ZIN UNI 5588	1,00			--
0016		VTRS00503		WASHER D. 6 TE UNI 6798	1,00			--
0017		VTDD00491		NUT M 6 TEF	1,00			--
0018		LAFN06744		BRACKET 1450	1,00			--
0019		LAFN06745		BRACKET 1450	1,00			--
0020		VTVT01537		SCREW TE 8X55 UNI5739	2,00			--
0021		VTVT00296		SCREW TSPIC 3,9x16 UNI6955 ZNT	6,00			--
0022		MPVR05573		PROTECTION -	2,00			--
0023		VTDD00483		NUT M 8 ZIN UNI 5588	2,00			--
0024		SPPV01232		BRUSH 1450	2,00			--
0025		VTVT06237		SCREW TCEI 6X20 UNI5931	12,00			--
0026		LAFN41028		HUB SIDE BRUSH	2,00			--
0027		VTVT00447		SCREW TE 8X25 UNI5739	2,00			--
0028		VTRS00513		WASHER D. 8 X32 P.	2,00			--
0029		MOID00023		MOTOR 1450	2,00			--
0030		LAFN41014		LEFT ARM ANTERIOR BRUSH	2,00			--
0031		VTVT00459		SCREW TE M 10X40 ZINC. UNI 5739	4,00			--
0032		VTRS00505		WASHER D.10 TE UNI 6592	4,00			--
0033		VTRS01080		WASHER D. 8 GRW	2,00			--
0034		VTDD00493		NUT M10 TEF	4,00			--
0035		MPVR47066		PROTECTOR L.14	2,00			--
0036		LAFN41015		LEFT ARM ANTERIOR BRUSH	1,00			--
0037		LAFN07750		GUIDE -	1,00			--
0038		LAFN47070		FLANGE L.14 LT.	2,00			--
0039		LAFN47081		SPACER L.14	2,00			--



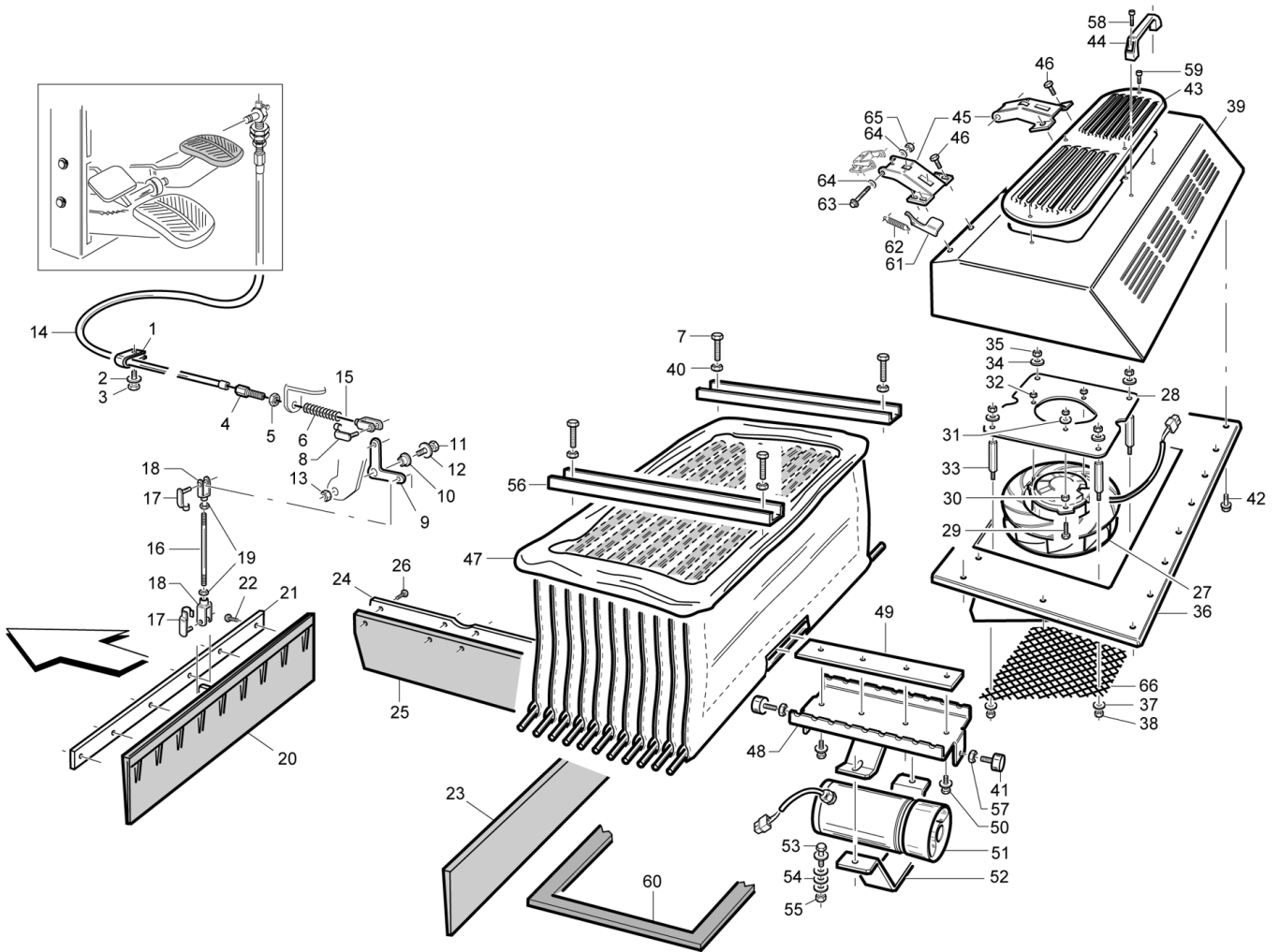
Ref.	K	Part N.	Customer Part N.	Description	Qty	Validity: From	To	Price
0040		VTAE12644		CIRCLIP D. 30 UNI 7435	2,00			--
0041		VTVT09913		SCREW TCEI 6X16 UNI5931	6,00			--
0042		VTRS00503		WASHER D. 6 TE UNI 6798	6,00			--
0043		LAFN07749		GUIDE -	1,00			--
0044		LAFN06742		SPACER D.20X4,5	2,00			--
0045		LAFN06743		FLANGE 1450	2,00			--
0046		VTVT01682		SCREW TCCE UNI 5931 10X100	2,00			--
0047		CMCV00432		CABLE 1450	1,00			--
0048		VTAE00078		CIRCLIP D. 17 UNI 7437	2,00			--
0049		LAFN06747		SUPPORT 1450	1,00			--
0050		LAFN06748		SUPPORT 1450	1,00			--
0051		VTVT15525		SCREW TE 6X18	4,00			--
0052		VTRS63242		WASHER D. 6 X24 ZC	4,00			--
0053		MPVR02895		ROLLER PER CENTRAGGIO SPAZZOLA	2,00			--
0054		CUVR00088		BEARING 626 2RS1	2,00			--
0055		LAFN03840		BUSHING	2,00			--
0056		VTRS00512		WASHER D. 8 X24 ZC.	4,00			--
0057		VTVT12255		SCREW TCEI 6X25 UNI5931	2,00			--
0058		VTDD00491		NUT M 6 TEF	2,00			--
0059		MTPL39048		PULLEY PA6 174 GT + 6201 2RS	2,00			--
0060		CUVR19847		BALL BEARING 6203 2RS1	2,00			--
0061		VTAE32479		CIRCLIP D. 40 UNI 7437	2,00			--
0062		VTVT17848		SCREW TE M 12X 40 UNI 5737	2,00			--
0063		VTRS00506		WASHER D.12 UNI 6592	8,00			--
0064		LAFN06933		SHEET METAL PA.1450	2,00			--
0065		LAFN47080		SCREW L.14	2,00			--
0066		VTDD00491		NUT M 6 TEF	2,00			--
0067		MLML45102		SPRING TR	2,00			--
0068		VTVT00017		SCREW TE UNI 5739 8X35 ZB	2,00			--
0069		VTDD00483		NUT M 8 ZIN UNI 5588	6,00			--
0070		VTDD00124		NUT M 8 BASSO	4,00			--
0071		VTVT00450		SCREW TE 8X40 UNI5739	2,00			--
0072		VTRS00506		WASHER D.12 UNI 6592	4,00			--
0073		VTDD00124		NUT M 8 BASSO	2,00			--
0074		VTRS00503		WASHER D. 6 TE UNI 6798	1,00			--
0075		VTRS01079		WASHER D. 6 GROWER	2,00			--



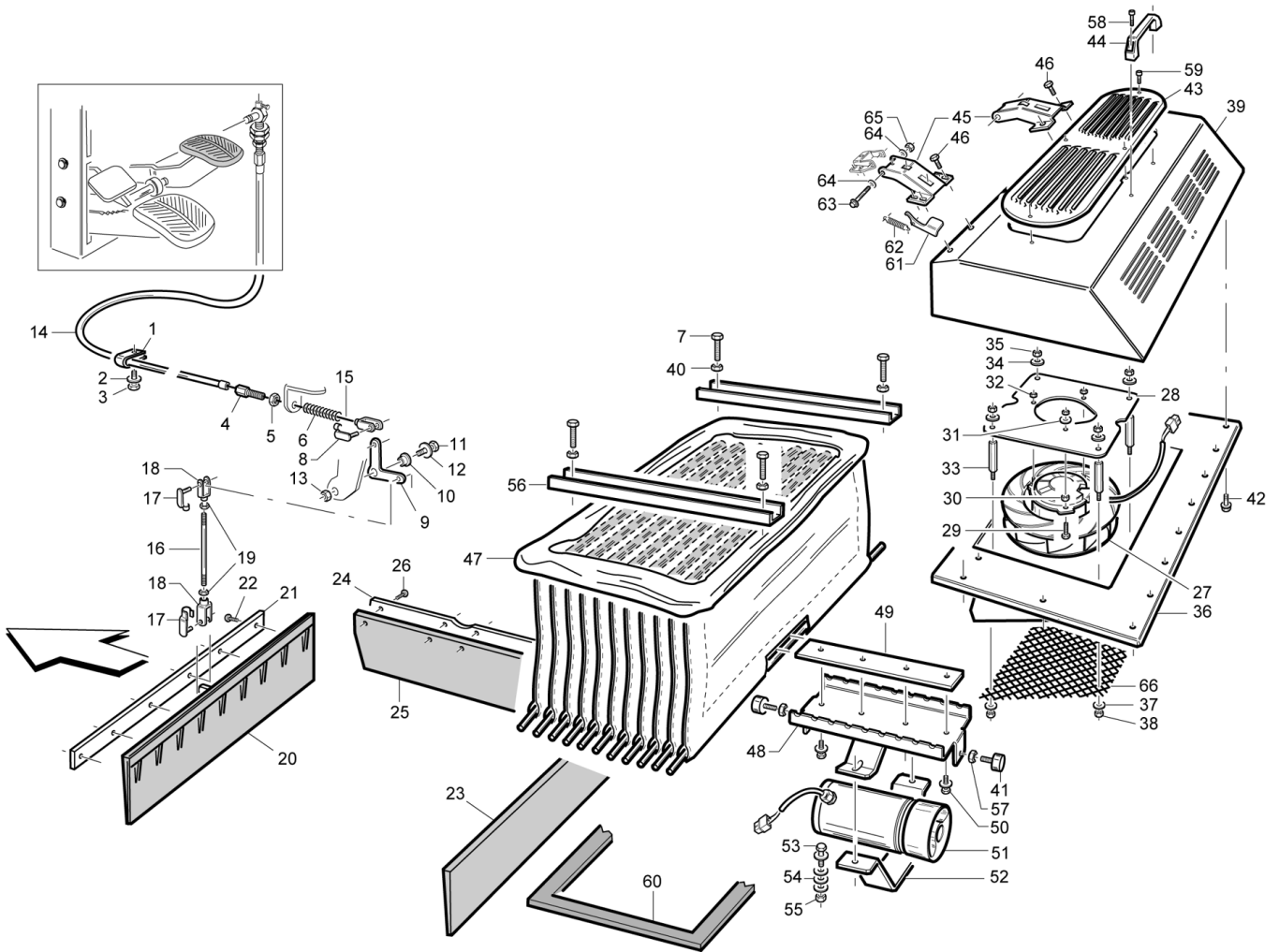
Ref.	K	Part N.	Customer Part N.	Description	Qty	Validity:		Price
						From	To	
0001		LAFN06751		BRACKET 1450	1,00			--
0002		LAFN06752		CONNECTING ROD 1450	1,00			--
0003		LAFN06755		PIN 1450	1,00			--
0004		CUVR00139		BUSHING SITERIZZATA	2,00			--
0005		VTAE13511		CIRCLIP D. 10 UNI 7435	2,00			--
0006		MLML00312		SPRING -	1,00			--
0007		VTVT00527		SCREW TE FR 6X10 ZB ZIG.	2,00			--
0008		VTRS00514		WASHER D.10X30X11.4	2,00			--
0009		PIID00043		CYLINDER D.25	1,00		05/2009	--
0009		PIID00050		CYLINDER D.25	1,00	05/2009		--
0010		LAFN06756		PIN 1450	1,00			--
0011		VTAE27064		CIRCLIP D. 14 UNI 7435	2,00			--
0012		LAFN06754		PIN 1450	1,00			--
0013		VTAE27064		CIRCLIP D. 14 UNI 7435	2,00			--
0014		VTVT63129		SCREW TE F/ROND. M 8X16 ZB	2,00			--
0015		VTDD00482		NUT M 6 ZIN UNI 5588	1,00			--
0016		LAFN41016		ASSEMBLED CENTRAL BRUSH ARM	1,00			--
0017		LAFN41017		PROTECTION MAIN BRUSH RIGHT SIDE	1,00			--
0018		VTVT00337		GRUB SCREW M5x6 UNI5925	1,00			--
0019		MOID00003		HYDRAULIC MOTOR20 CC	1,00			--
0021		LAFN06871		FLANGE 1450	1,00			--
0022		VTVT62920		SCREW TE F/ROND. M 6X 16 ZB	4,00			--
0023		LAFN41019		HUB MAIN BRUSH MOTOR HYD.SIDE	1,00			--
0024		VTVT62920		SCREW TE F/ROND. M 6X 16 ZB	1,00			--
0025		VTRS63242		WASHER D. 6 X24 ZC	1,00			--
0027		VTVT62920		SCREW TE F/ROND. M 6X 16 ZB	1,00			--
0028		VTRS00503		WASHER D. 6 TE UNI 6798	1,00			--
0029		VTDD00482		NUT M 6 ZIN UNI 5588	1,00			--
0030		VTVT06236		SCREW TCEI 6X40 UNI5931	4,00			--
0031		VTRS00503		WASHER D. 6 TE UNI 6798	2,00			--
0032		LAFN06753		CONNECTING ROD 1450	1,00			--
0033		CUVR00139		BUSHING SITERIZZATA	1,00			--
0034		VTRS00514		WASHER D.10X30X11.4	1,00			--
0035		VTDD00493		NUT M10 TEF	1,00			--
0036		VTRS00506		WASHER D.12 UNI 6592	1,00			--
0037		VTRS00514		WASHER D.10X30X11.4	1,00			--
0038		VTAE14016		CIRCLIP D. 12 UNI 7435	1,00			--
0039		VTVT00527		SCREW TE FR 6X10 ZB ZIG.	2,00			--
0040		MPVR01570		SPACER M6 H=30	1,00			--



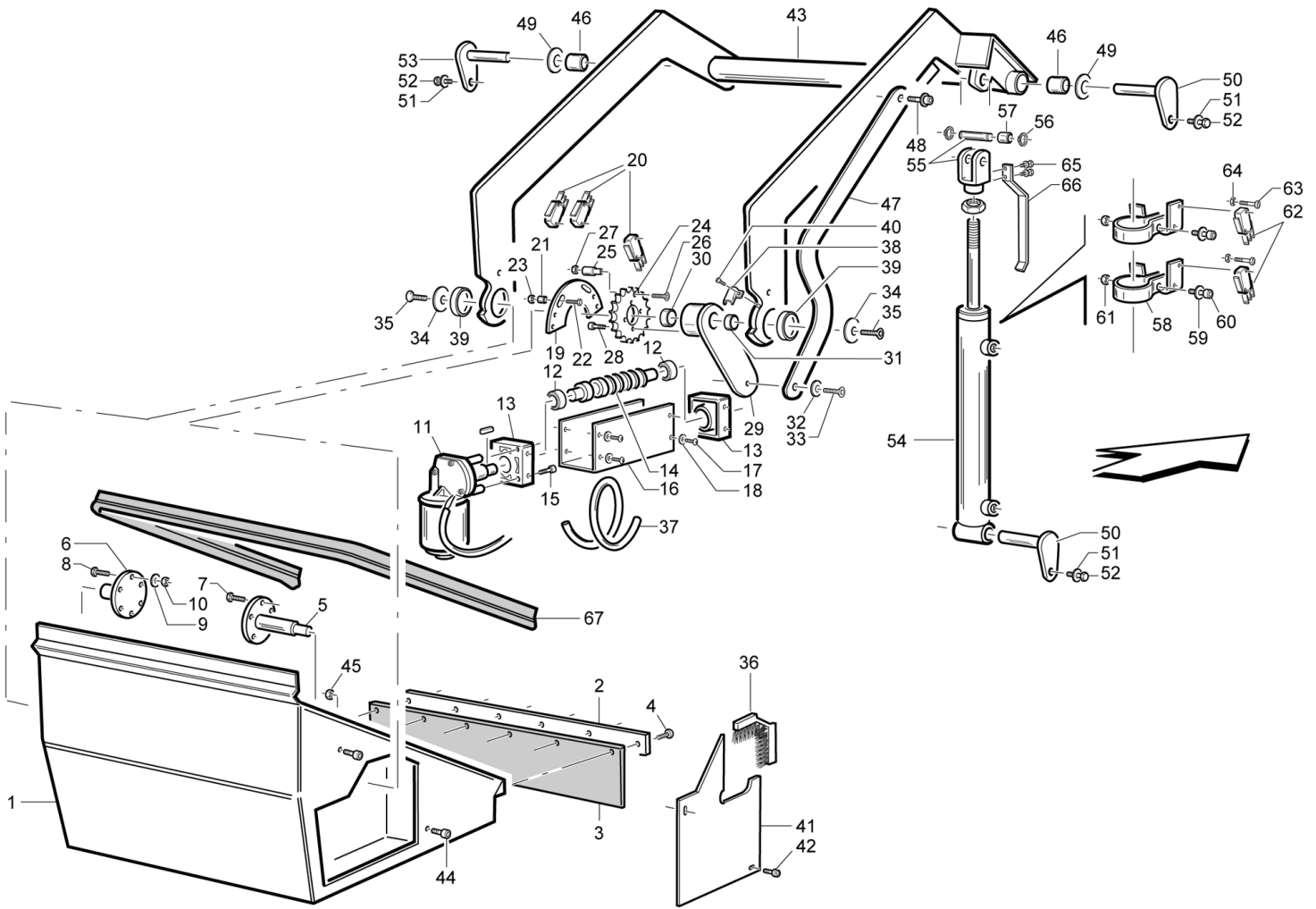
Ref.	K	Part N.	Customer Part N.	Description	Qty	Validity:		Price
						From	To	
0041		VTVT00527		SCREW TE FR 6X10 ZB ZIG.	1,00			--
0042		VTVT62920		SCREW TE F/ROND. M 6X 16 ZB	1,00			--
0043		CMCV75718		CLIP UNI 1676 M8	1,00			--
0044		SPPV01229		BRUSH 1450	1,00			--
0045		CMCV00433		CABLE 1450	1,00			--
0046		CMCV00001		FORK UNI 1676 M8X16	1,00			--
0047		LAFN06600		BUMPER FRONTALE F1150	1,00			--
0048		MPVR04669		FLAP LATERALE	1,00			--
0049		LAFN06601		PLATE FISSA FLAP	1,00			--
0050		VTVT00044		SCREW TC AF.X PLAS UNI9707 4X16	4,00			--
0051		VTVR47015		INSERT PLS. D.3	4,00			--
0052		VTAE00076		CIRCLIP D.37 DIN 472	1,00			--
0053		LAFN06836		PIN CENTRAGGIO PROTEZIONE	1,00			--
0054		CUVR17004		BALL BEARING 6202 -2RS1	2,00			--
0055		LAFN06782		BUSHING PER CUSCINETTO	1,00			--
0056		LAFN06783		BUSHING PER CUSCINETTO 1	1,00			--
0057		VTRS00553		WASHER PARAPOLVERE	1,00			--
0058		MLML00295		SPRING SPAZZOLA CENTRALE	1,00			--
0059		MPVR04923		SUPPORT SPAZZOLA CENTRALE	1,00			--
0060		VTVT01128		SCREW TCCE UNI 5931 12X120 ZB	1,00			--
0061		VTRS00506		WASHER D.12 UNI 6592	1,00			--
0062		VTDD00012		NUT AUTOBLOK DIN 985 M12 ZB	1,00			--
0063		LAFN08825		ARM -	1,00	09/2010		--
0063		LAFN47050		LATERAL ARM L.14	1,00		09/2010	--
0064		LAFN06837		PROTECTION SPAZZOLA CENTRALE	1,00			--
0065		RTRT00022		HANDWHEEL D.30 M6X15	2,00		01/2010	--
0065		VTVR00559		HANDWHEEL -	2,00	01/2010		--
0066		VTVR00047		HANDWHEEL D.50 M8	1,00			--
0067		LAFN47055		HOSE COLLAR C3 D.18	2,00			--
0068		VTDD00492		NUT M 8 ZINC	1,00			--
0069		LAFN08826		REGISTER -	1,00			--
0070		VTDD00492		NUT M 8 ZINC	1,00			--



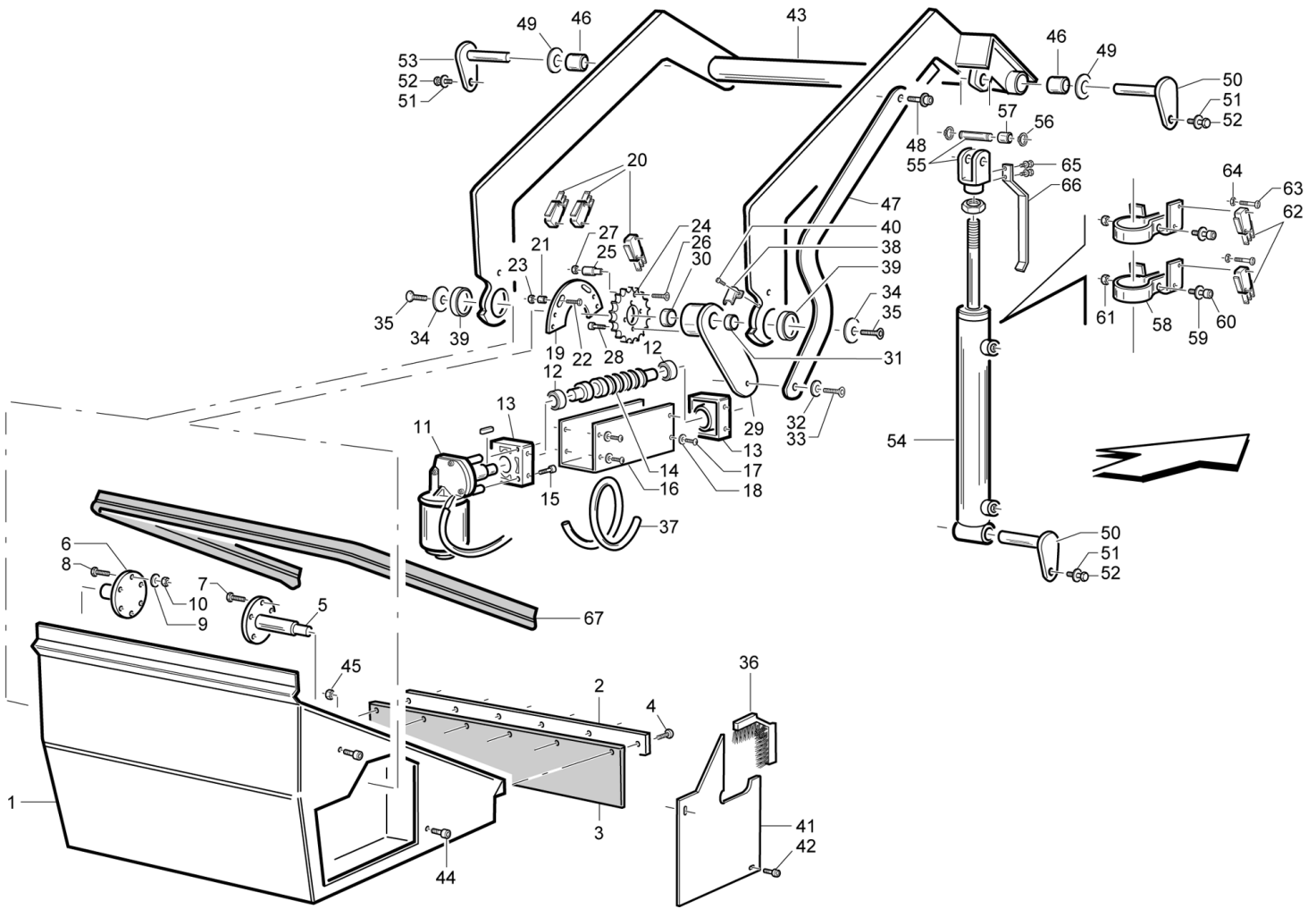
Ref.	K	Part N.	Customer Part N.	Description	Qty	Validity:		Price
						From	To	
0001		FSVR00005		CLAMP TIPO "ECO"FORO MM8 D.1 W0	1,00			--
0002		VTRS01080		WASHER D. 8 GRW	1,00			--
0003		VTVT00448		SCREW TE 8X30 UNI5739	1,00			--
0004		CMCV02397		REGISTER CH.12X 8MAX35	1,00			--
0005		VTDD00057		NUT UNI 5589 M8 BASSO ZB	1,00			--
0006		MLML75964		SPRING D. 11,3 X100 X1,5 TK	1,00			--
0007		VTVT00017		SCREW TE UNI 5739 8X35 ZB	4,00			--
0008		CMCV00009		CLIP UNI 1676	1,00			--
0009		LAFN47128		LEVER L.14	1,00			--
0010		LAFN47129		BUSHING L.14 A.FLAP	1,00			--
0011		VTVT00448		SCREW TE 8X30 UNI5739	1,00			--
0012		VTRS00504		WASHER D. 8 TE ZC. UNI 6592	2,00			--
0013		VTDD00124		NUT M 8 BASSO	1,00			--
0014		CMCV47132		SHEATH L.14 A.FLAP	1,00			--
0015		CMCV87172		CABLE ALZA FLAP 2125404	1,00			--
0016		LAFN47130		PIN L.14 A.FLAP	1,00			--
0017		CMCV75717		CLIP UNI 1676 M6	2,00			--
0018		CMCV76639		FORK M 6 UNI 1676	2,00			--
0019		VTDD00482		NUT M 6 ZIN UNI 5588	2,00			--
0020		MPVR44781		RUBBER FLAP FRONT G1404-G1400	1,00			--
0021		LAFN47131		SHEET METAL PA.FLAP ANTERIORE	1,00			--
0022		VTVT00044		SCREW TC AF.X PLAS UNI9707 4X16	6,00			--
0023		MPVR45327		RUBBER L.1400 PST	1,00			--
0024		LAFN06939		PLATE DX	1,00			--
0025		MPVR04669		FLAP LATERALE	1,00			--
0026		VTVT00044		SCREW TC AF.X PLAS UNI9707 4X16	4,00			--
0027		VEVR00068		IMPELLER -	1,00			--
0028		LAFN06854		SHEET METAL PA.1450	1,00			--
0029		VTVT00444		SCREW TE 6X20 UNI5739	3,00			--
0030		VTDD00482		NUT M 6 ZIN UNI 5588	3,00			--
0031		VTRS00503		WASHER D. 6 TE UNI 6798	3,00			--
0032		VTDD00491		NUT M 6 TEF	3,00			--
0033		LAFN06757		SPACER 1450	3,00			--
0034		VTRS04026		WASHER D. 6X18X2.38	4,00			--
0035		VTDD00491		NUT M 6 TEF	4,00			--
0036		LAFN06736		COVER 1450	1,00			--
0037		VTRS04026		WASHER D. 6X18X2.38	4,00			--
0038		VTDD00491		NUT M 6 TEF	4,00			--
0039		LAFN06737		COVER 1450	1,00			--



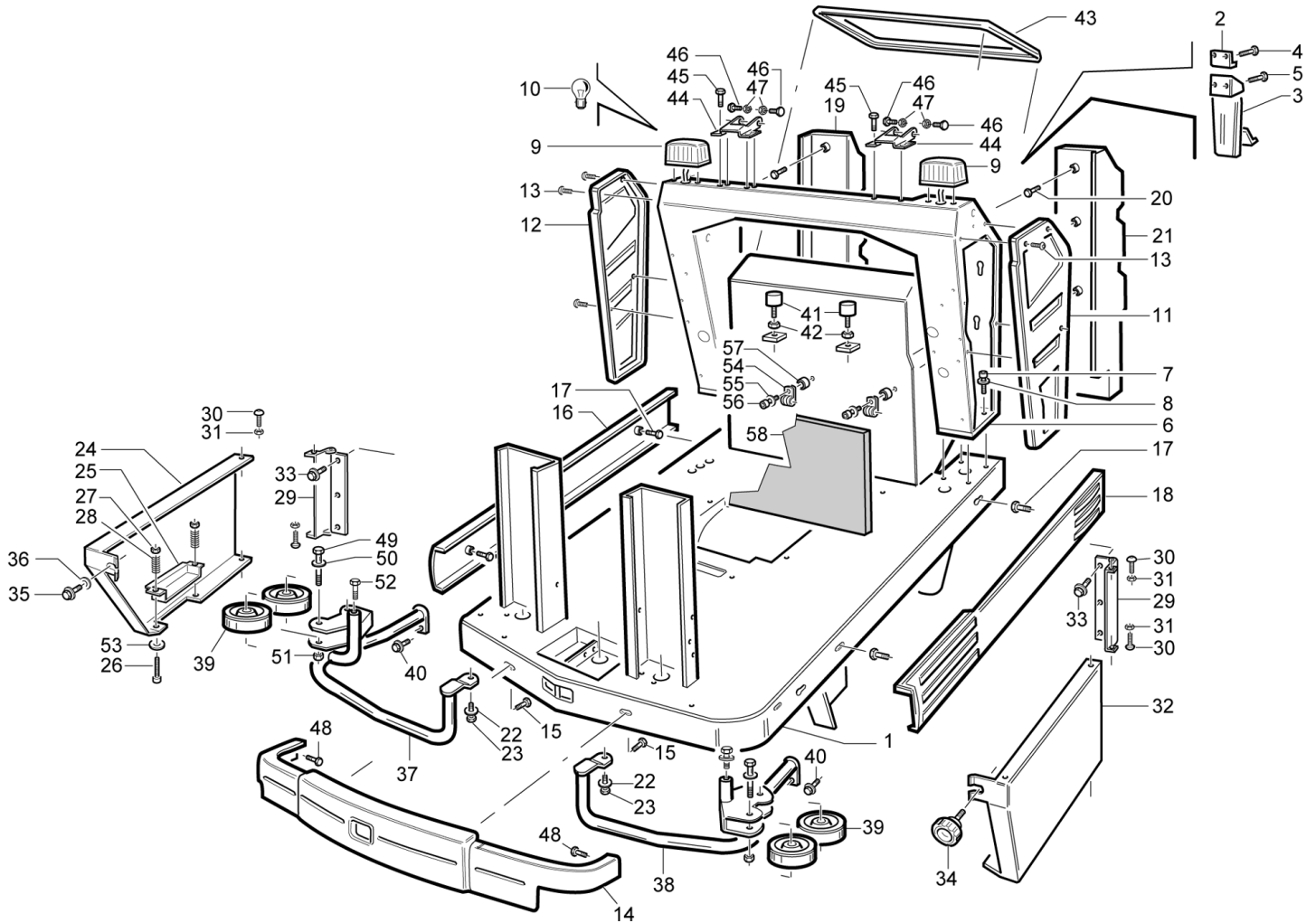
Ref.	K	Part N.	Customer Part N.	Description	Qty	Validity:		Price
						From	To	
0040		VTDD00483		NUT M 8 ZIN UNI 5588	4,00			--
0041		ABGO00013		VIBRATION DAMP.25x25 M6x25	2,00			--
0042		VTVT62920		SCREW TE F/ROND. M 6X 16 ZB	20,00			--
0043		MPVR04916		BRACKET COPERCHIO ASPIRATORI	1,00			--
0044		MPVR01499		HANDLE	1,00			--
0045		LAFN06932		COUPLING 1450	2,00			--
0046		VTVT62920		SCREW TE F/ROND. M 6X 16 ZB	4,00			--
0047		FTDP00204		FILTER 1450	1,00			--
0048		LAFN06720		BRACKET -	1,00			--
0049		LAFN06719		PLATE -	1,00			--
0050		VTVT00427		SCREW TSPEI 8X35 UNI5933 INX	4,00			--
0051		MOCC00340		MOTOR 1450	1,00			--
0052		LAFN06718		BRACKET -	1,00			--
0053		VTVT00642		SCREW TE 10X30	2,00			--
0054		VTRS00505		WASHER D.10 TE UNI 6592	8,00			--
0055		VTDD00493		NUT M10 TEF	2,00			--
0056		LAFN06766		SECTION U	2,00			--
0057		VTDD00491		NUT M 6 TEF	2,00			--
0058		VTVT06237		SCREW TCEI 6X20 UNI5931	2,00			--
0058		VTVT06237		SCREW TCEI 6X20 UNI5931	2,00			--
0059		VTVT62920		SCREW TE F/ROND. M 6X 16 ZB	4,00			--
0060		MPVR00052		GASKET	2,00			--
0061		LAFN07623		LEVER -	1,00			--
0062		MLML75960		SPRING D. 8 X1 X32	1,00			--
0063		VTVT00249		SCREW EXAGONAL M6X50 UNI5739	1,00			--
0064		VTRS00503		WASHER D. 6 TE UNI 6798	2,00			--
0065		VTDD19688		NUT M6 UNI 7473	1,00			--
0066		LAFN07620		NET -	1,00			--



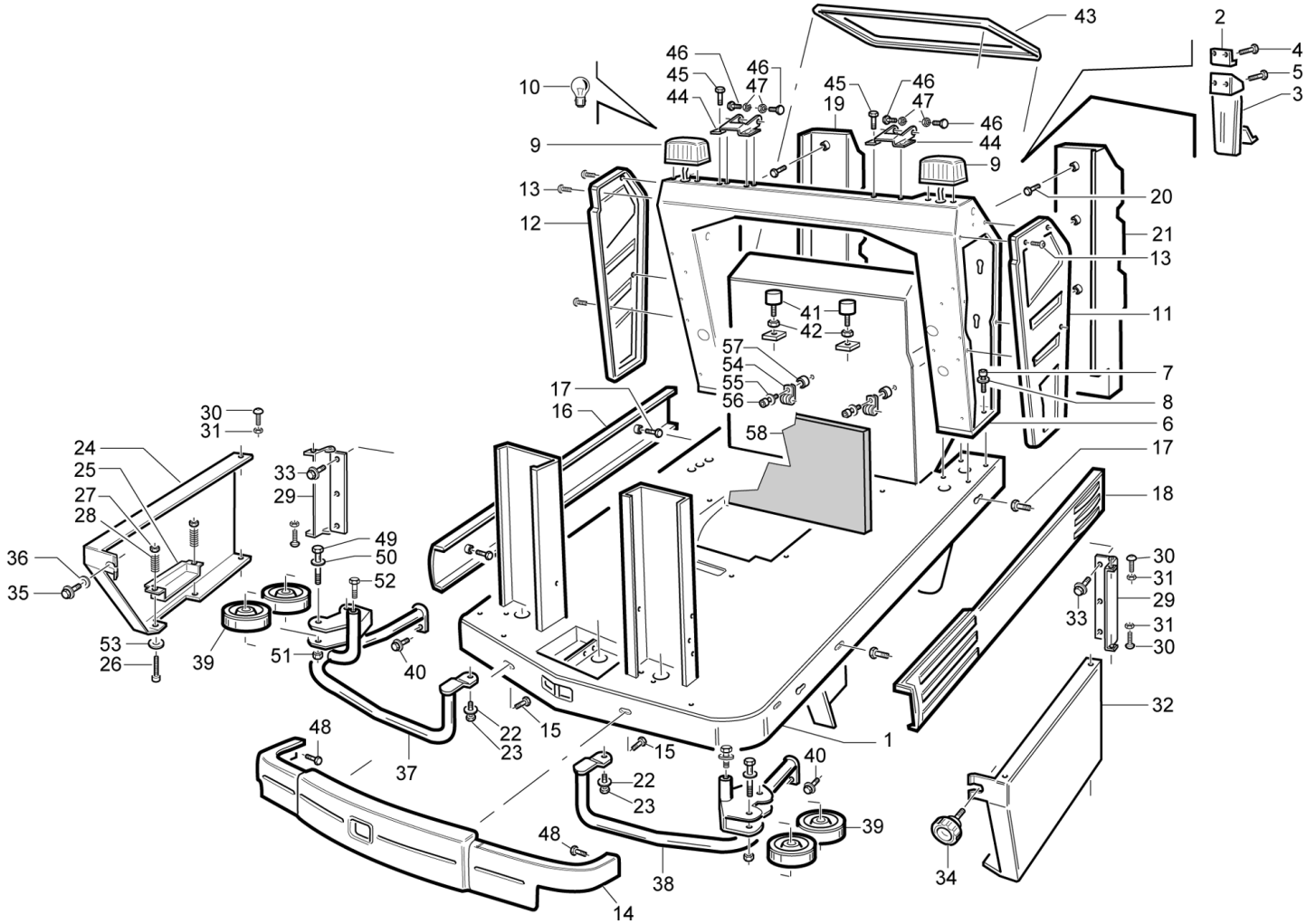
Ref.	K	Part N.	Customer Part N.	Description	Qty	Validity: From To	Price
0001		LAFN47103		DRAWER L.14	1,00		--
0002		LAFN47104		DUCT LOCK FLAP	1,00		--
0003		MPVR45104		RUBBER FLAP L.1400	1,00		--
0004		VTVT00044		SCREW TC AF.X PLAS UNI9707 4X16	6,00		--
0005		LAFN47102		PIN L.14 DX	1,00		--
0006		LAFN47100		PIN L.14 SX	1,00		--
0007		VTVT62920		SCREW TE F/ROND. M 6X 16 ZB	6,00		--
0008		VTVT00006		SCREW TE UNI 5739 6X16 ZB	6,00		--
0009		VTRS00503		WASHER D. 6 TE UNI 6798	6,00		--
0010		VTDD00491		NUT M 6 TEF	6,00		--
0011		RDGR00037		MOTOR.GEARBOX 1450	1,00		--
0012		CUVR06174		BALL BEARING 6002-2RS1	2,00		--
0013		LAFN45319		SUPPORT L.14	2,00		--
0014		MTIG45320		TOOTHED WHEEL L.14	1,00		--
0015		VTVT06237		SCREW TCEI 6X20 UNI5931	3,00		--
0016		LAFN45321		COVER L.14	1,00		--
0017		VTVT00098		SCREW AUTOF.TC UNI 6954 3,9X9,5	4,00		--
0018		VTRS00502		WASHER D. 5 0.466 UNI 6592	4,00		--
0019		LAFN45283		PLATE TK1400	1,00		--
0020		MECI44780		MICROSWITCH D2VW-5L2A-1M OMR	3,00		--
0021		LAFN47095		SPACER D. 6-10 L= 8	2,00		--
0022		VTVT19236		SCREW TCEI 5X20 UNI 5931	2,00		--
0023		VTDD00040		NUT M5 UNI7474	2,00		--
0024		MTCR46479		TOOTHED WHEEL L.14 EL.	1,00		--
0025		LAFN45233		PAWL TK1400	1,00		--
0026		VTVT00299		SCREW TSPEI M6x25 UNI5933	1,00		--
0027		VTDD00491		NUT M 6 TEF	1,00		--
0028		VTVT06237		SCREW TCEI 6X20 UNI5931	3,00		--
0029		LAFN47096		CONNECTING ROD L.14 CASS.	1,00		--
0030		MPVR47097		BUSHING D. 30X34X15 GLYC.	1,00		--
0031		MPVR00006		BUSHING GLYCODUR GLY.PG 25-28-15F	1,00		--
0032		LAFN47099		SPACER L.14	1,00		--
0033		VTVT13515		SCREW TSPEI M6x16 UNI5933 10.9	1,00		--
0034		LAFN47094		SPACER L.14	1,00		--
0035		VTVT45340		SCREW TSPEI 8X16 UNI5933	1,00		--
0036		LAFN01089		PROTECTION ANTIPOLVERE TK1400	1,00		--
0037		MPVR45285		SHEATH TK1400	1,00		--
0038		LAFN45717		PLATE L.14	1,00		--
0039		LAFN47123		BUSHING L.14	1,00		--



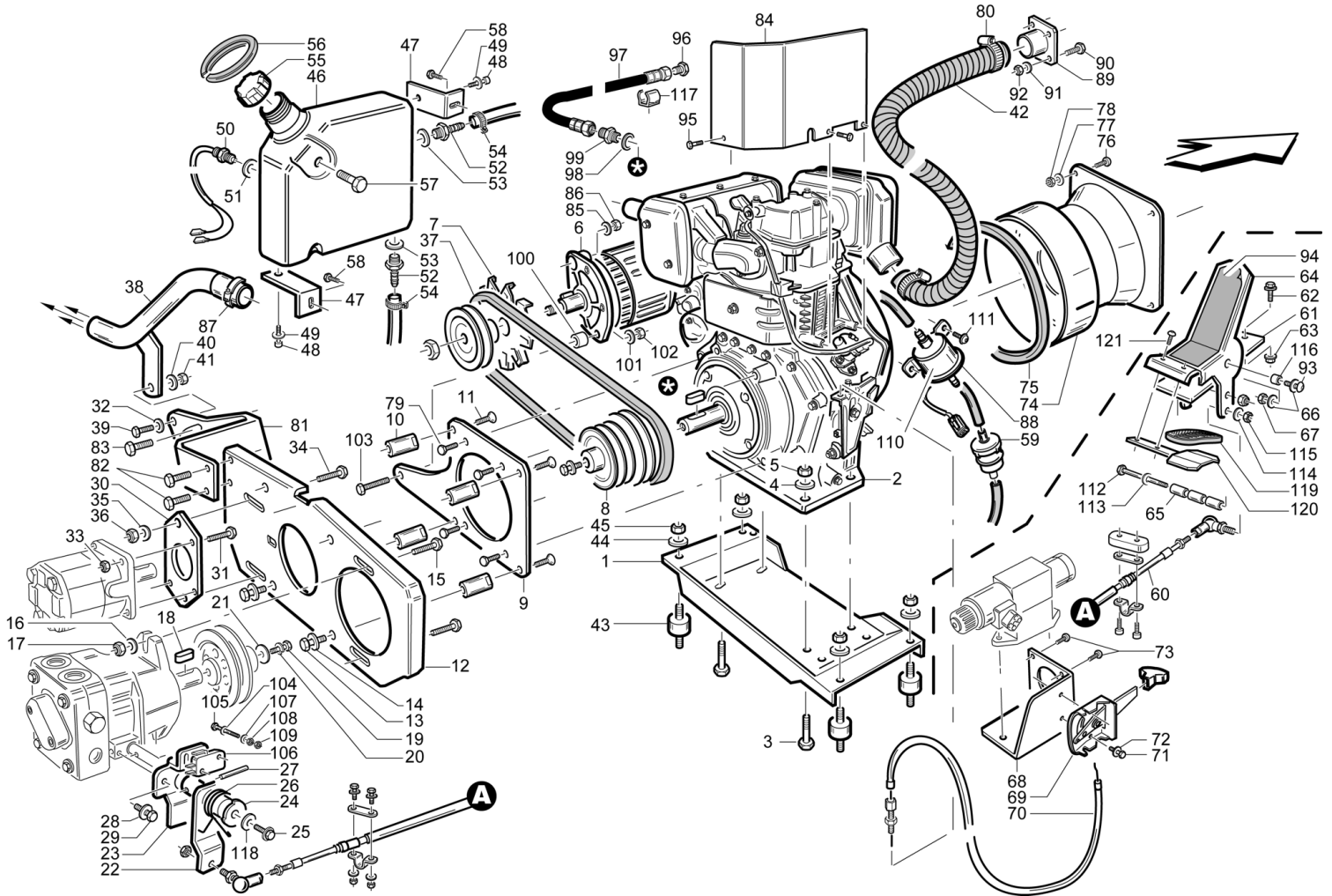
Ref.	K	Part N.	Customer Part N.	Description	Qty	Validity:		Price
						From	To	
0040		VTVT00089		SCREW TCCE UNI 5931 4X10 ZB	1,00			--
0041		LAFN45284		BOX COVER TK1400	1,00			--
0042		VTVT00099		SCREW AUTOF.TC UNI 6954 3,9X13	4,00			--
0043		LAFN47106		ARM L.14	1,00			--
0044		VTVT19472		SCREW TCEI M 8X10 UNI 5931	2,00			--
0045		VTDD00124		NUT M 8 BASSO	2,00			--
0046		MPVR47105		BUSHING D. 25X28X25 GLYC.	2,00			--
0047		LAFN47101		ARM L. 14	1,00			--
0048		LAFN47098		PIN L.14 PARALL.	1,00			--
0049		VTRS47111		WASHER D.25 X50 X1.5 PVC	2,00			--
0050		LAFN47110		PIN L.14 DX	2,00			--
0051		VTRS63242		WASHER D. 6 X24 ZC	2,00			--
0052		VTVT09916		SCREW TBEI M 6X 20 ISO 7380 ZB	2,00			--
0053		LAFN47124		PIN L.14 SX	1,00			--
0054		PIID45105		PISTON D.50 ST25	1,00			--
0055		CMCV47108		FORK M20 X15 +PN.	1,00			--
0056		VTAE17003		CIRCLIP D. 15 UNI 7435	2,00			--
0057		MPVR47125		BUSHING D. 16X18X20 GLYC.	1,00			--
0058		LAFN47127		SUPPORT MICRO.L.14	2,00			--
0059		VTRS00503		WASHER D. 6 TE UNI 6798	2,00			--
0060		VTVT12255		SCREW TCEI 6X25 UNI5931	2,00			--
0061		VTDD19688		NUT M6 UNI 7473	2,00			--
0062		MECI44780		MICROSWITCH D2VW-5L2A-1M OMR	2,00			--
0063		VTVT00019		SCREW TE UNI 5739 3X20 ZB	4,00			--
0064		VTDD00001		NUT UNI 5588 M3 ZB	4,00			--
0065		VTVT17639		SCREW TCEI M 5X10 UNI 5931	2,00			--
0066		LAFN47093		ECCENTRIC CAM L.14	1,00			--
0067		GUVR45103		GASKET TK1400	1,00			--



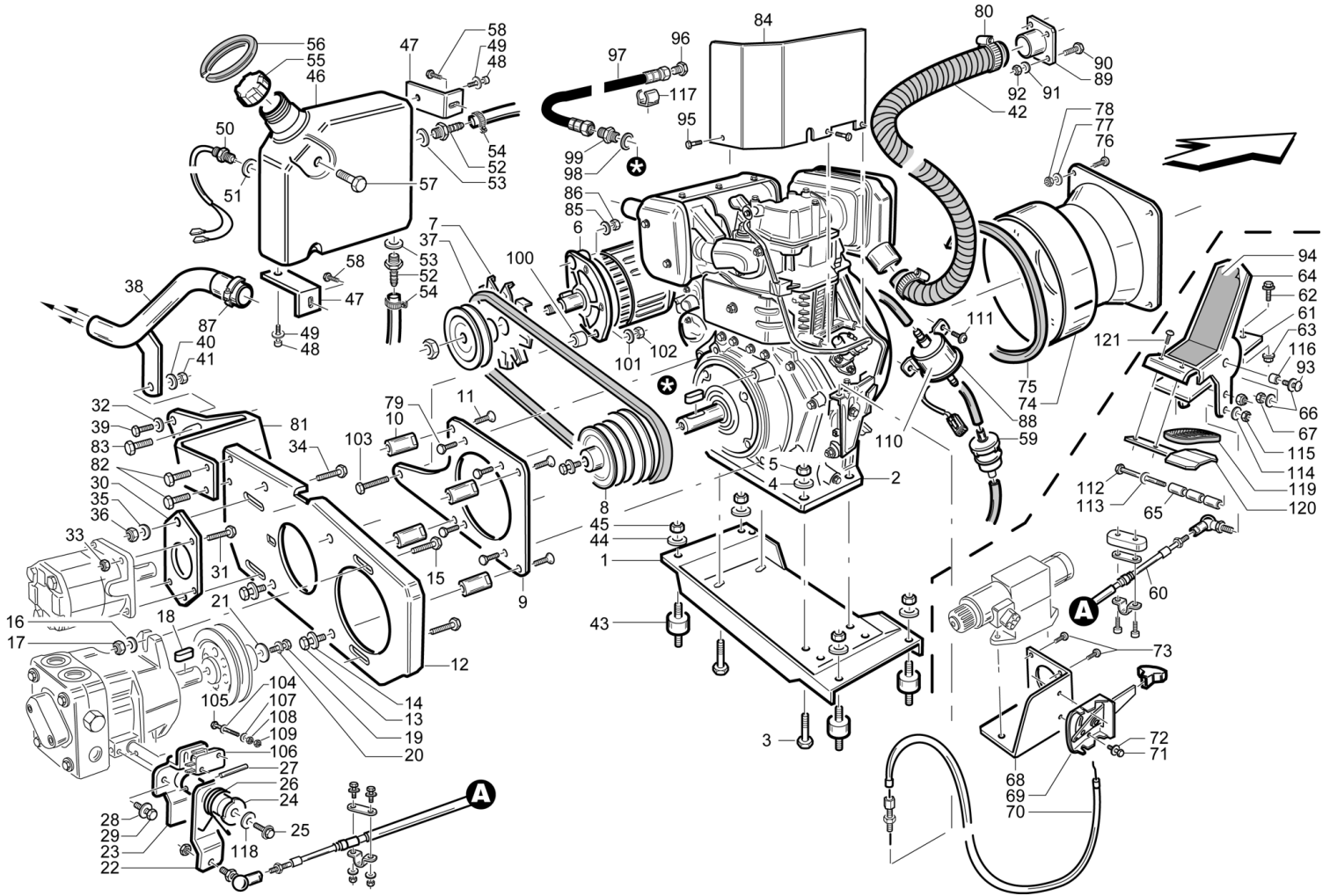
Ref.	K	Part N.	Customer Part N.	Description	Qty	Validity: From	To	Price
0001		LAFN41013		FRAME 1450	1,00			--
0002		CHVR76643		SUPP.HOLDER	1,00			--
0003		CHVR76642		CLOSURE SW1000	1,00			--
0004		VTVT75726		SCREW TBEI M 6X 16 ISO 7380 ZB	2,00			--
0005		VTVT75726		SCREW TBEI M 6X 16 ISO 7380 ZB	2,00			--
0006		LAFN06738		UPRIGHT 1450	1,00			--
0007		VTVT01535		SCREW TCEI M10X 40 UNI 5931 ZB	8,00			--
0008		VTRS00505		WASHER D.10 TE UNI 6592	8,00			--
0009		MELF85067		LANTERN FLASH 21W 24V OR.	2,00			--
0010		MELF00049		LAMP -	2,00			--
0011		MPVR05414		COVERING -	1,00			--
0012		MPVR05413		COVERING -	1,00			--
0013		VTVT00044		SCREW TC AF.X PLAS UNI9707 4X16	10,00			--
0014		MPVR87170		BUMPER GRIGIO CPL 21201056	1,00			--
0015		VTVT63129		SCREW TE F/ROND. M 8X16 ZB	2,00			--
0016		MPVR00225		BUMPER LATERALE DX TK1400	1,00			--
0017		VTVT01118		SCREW TCEI M 8X16 ZC. UNI 5931	4,00			--
0018		MPVR00226		BUMPER LATERALE SX 1400	1,00			--
0019		MPVR00227		BUMPER POSTERIORE DX TK1400	1,00			--
0020		VTVT63129		SCREW TE F/ROND. M 8X16 ZB	4,00			--
0021		MPVR00229		BUMPER POSTERIORE SX TK1400	1,00			--
0022		VTRS01080		WASHER D. 8 GRW	2,00			--
0023		VTVT00448		SCREW TE 8X30 UNI5739	2,00			--
0024		LAFN06856		PLANE DX 1450	1,00			--
0025		LAFN46645		PROTECTION L.14 DX	1,00			--
0026		VTVT00392		SCREW M6x35 UNI5739 inox	2,00			--
0027		VTDD00491		NUT M 6 TEF	2,00			--
0028		MLML46644		SPRING D. 6	2,00			--
0029		CEVR45986		HINGE L.14	2,00			--
0030		VTVT75726		SCREW TBEI M 6X 16 ISO 7380 ZB	2,00			--
0031		VTDD00491		NUT M 6 TEF	2,00			--
0032		LAFN00724		PLANE LATERALE SX	1,00			--
0033		VTVT00527		SCREW TE FR 6X10 ZB ZIG.	4,00			--
0034		RTRT00022		HANDWHEEL D.30 M6X15	1,00		01/2010	--
0034		VTVR00559		HANDWHEEL -	1,00	01/2010		--
0035		VTVT62920		SCREW TE F/ROND. M 6X 16 ZB	1,00			--
0036		VTRS63242		WASHER D. 6 X24 ZC	1,00			--
0037		LAFN07452		BUMPER -	1,00			--
0038		LAFN07453		BUMPER -	1,00			--



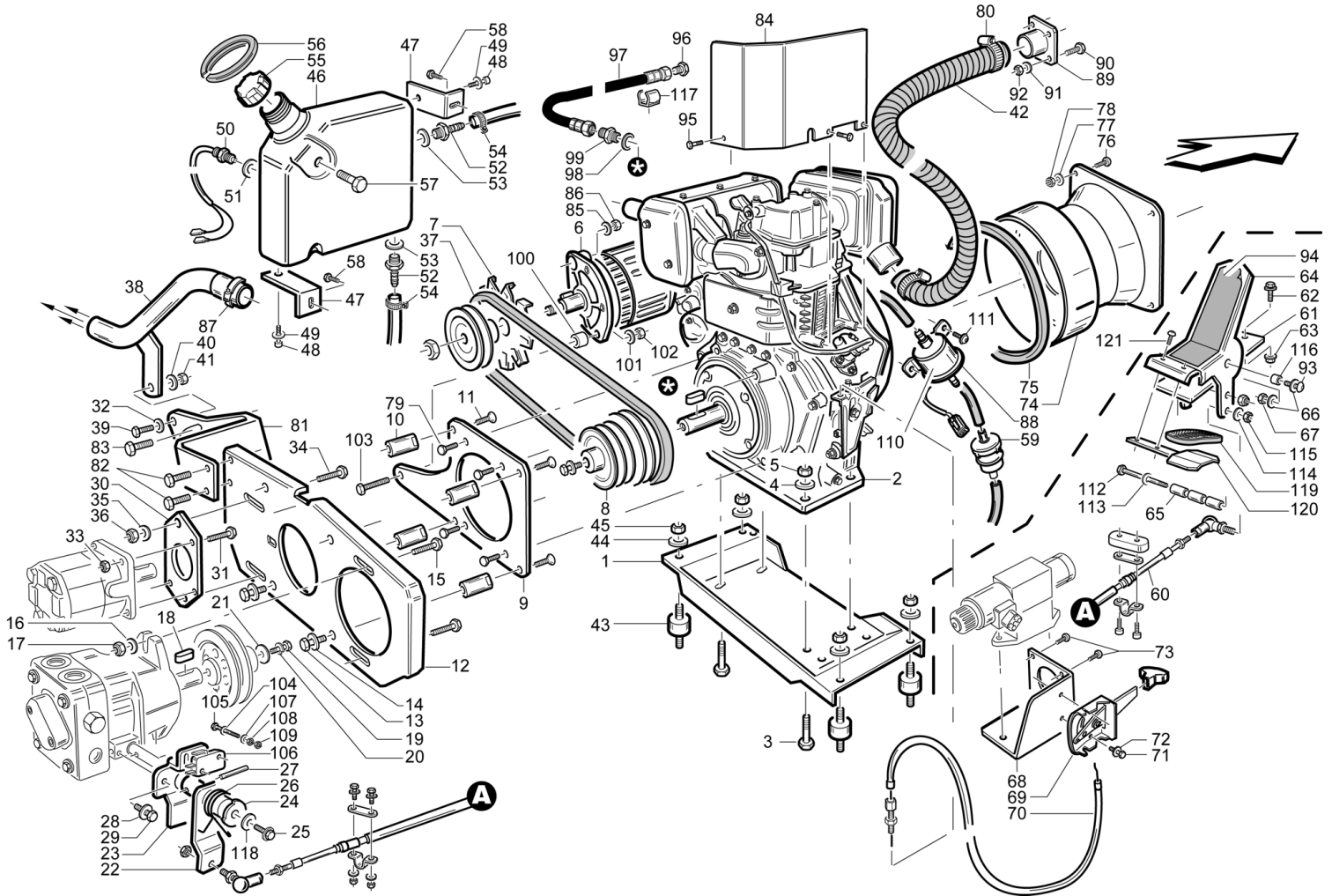
Ref.	K	Part N.	Customer Part N.	Description	Qty	Validity:		Price
						From	To	
0039		RTRT00016		WHEEL SCIOLTE 80/30/G NERE	4,00			--
0040		VTVT62920		SCREW TE F/ROND. M 6X 16 ZB	2,00			--
0041		ABGO00026		VIBRATION DAMP.	2,00			--
0042		VTDD10776		NUT M 8 X1 UNI 5588	2,00			--
0043		GUGO00432		GASKET -	2,02			--
0044		LAFN06734		COUPLING CERNIERA 1450	2,00			--
0045		VTVT62920		SCREW TE F/ROND. M 6X 16 ZB	8,00			--
0046		VTVT63129		SCREW TE F/ROND. M 8X16 ZB	4,00			--
0047		VTDD00492		NUT M 8 ZINC	4,00			--
0048		VTVT01118		SCREW TCEI M 8X16 ZC. UNI 5931	2,00			--
0049		VTVT01537		SCREW TE 8X55 UNI5739	4,00			--
0050		VTRS00504		WASHER D. 8 TE ZC. UNI 6592	4,00			--
0051		VTDD00492		NUT M 8 ZINC	4,00			--
0052		VTVT63129		SCREW TE F/ROND. M 8X16 ZB	2,00			--
0053		VTRS00503		WASHER D. 6 TE UNI 6798	2,00			--
0054		FSVR00005		CLAMP TIPO "ECO"FORO MM8 D.1 W0	3,00			--
0055		VTRS04026		WASHER D. 6X18X2.38	3,00			--
0056		VTVT63029		SCREW TCEI M 6X 35 UNI 5931 ZB	3,00			--
0057		LAFN00092		BUSHING FISSAGGIO CHIAVE SBLOCCO	2,00			--
0058		ITSO00066		INSULATOR 1450	1,00			--
0059		LAFN07622		SPACER -	4,00			--



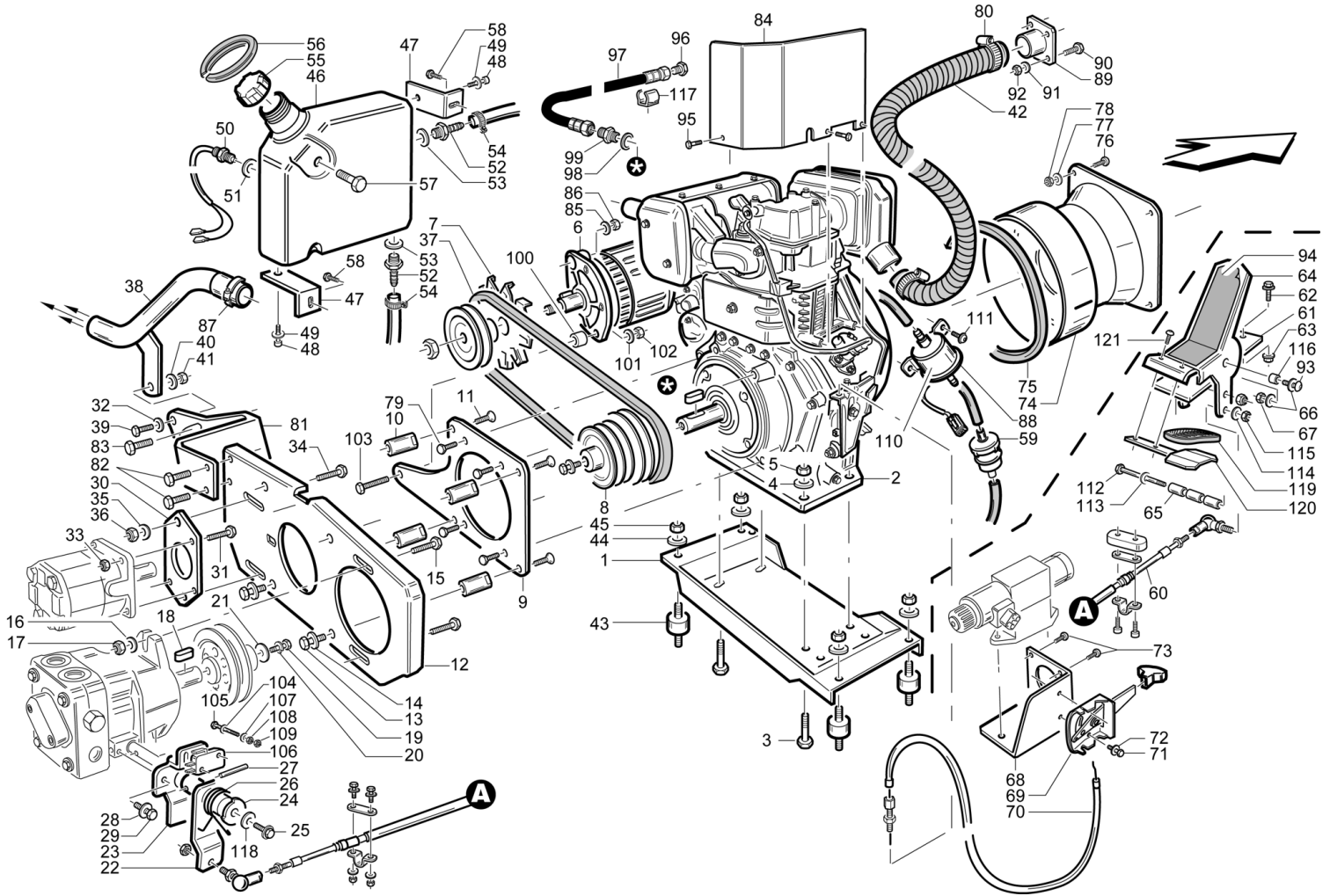
Ref.	K	Part N.	Customer Part N.	Description	Qty	Validity:		Price
						From	To	
0001		LAFN06717		BRACKET -	1,00			--
0002		MODS00011		MOTOR DIESEL	1,00			--
0003		VTVT00459		SCREW TE M 10X40 ZINC. UNI 5739	4,00			--
0004		VTRS15523		WASHER D.10 X21 INOX UNI 6592	4,00			--
0005		VTDD00493		NUT M10 TEF	4,00			--
0006		ARGN00019		ALTERNATOR 12V	1,00			--
0007		VEVR47160		IMPELLER ALTER. A.OR.	1,00	03/2010		--
0008		MTPL00196		PULLEY YANMAR	1,00			--
0009		LAFN06878		FLANGE 1450	1,00			--
0010		LAFN06876		SPACER -	4,00			--
0012		LAFN06877		BRACKET 1450	1,00			--
0013		VTVT00456		SCREW TE 10X25 UNI5739	4,00			--
0014		VTRS00514		WASHER D.10X30X11.4	4,00			--
0015		VTVT01005		SCREW TTQS 10X30	2,00		02/2016	--
0015		VTVT01426		SCREW TTQS M.10X35	2,00	02/2016		--
0016		VTRS00505		WASHER D.10 TE UNI 6592	4,00			--
0017		VTDD00493		NUT M10 TEF	2,00			--
0018		VTVR13164		KEY 5X5X30	1,00			--
0019		VTVT00444		SCREW TE 6X20 UNI5739	1,00			--
0020		VTRS01079		WASHER D. 6 GROWER	1,00			--
0021		VTRS63242		WASHER D. 6 X24 ZC	1,00			--
0022		LAFN06936		BRACKET 1450	1,00			--
0023		LAFN06935		BRACKET 1450	1,00			--
0024		LAFN06942		ECCENTRIC CAM 1450	1,00			--
0026		MLML00088		SPRING	1,00			--
0027		VTVR46987		ELASTIC PLUG 5X25 UNI 6873	1,00			--
0028		VTRS01080		WASHER D. 8 GRW	1,00			--
0029		VTVT01110		SCREW TE 8X16 UNI5739	1,00			--
0030		LAFN06880		FLANGE 1450	1,00			--
0031		VTVT00144		SCREW TSPEI M8X30 DIN963	4,00			--
0032		VTRS00504		WASHER D. 8 TE ZC. UNI 6592	4,00			--
0033		VTDD00492		NUT M 8 ZINC	4,00			--
0034		VTVT01005		SCREW TTQS 10X30	2,00		02/2016	--
0034		VTVT01426		SCREW TTQS M.10X35	2,00	02/2016		--
0035		VTRS00505		WASHER D.10 TE UNI 6592	2,00			--
0036		VTDD00493		NUT M10 TEF	2,00			--
0037		MTCG00128		BELT G1450	1,00			--
0038		LAFN06853		SILENCER 1450	1,00			--
0039		VTVT01357		SCREW M8X20	1,00			--



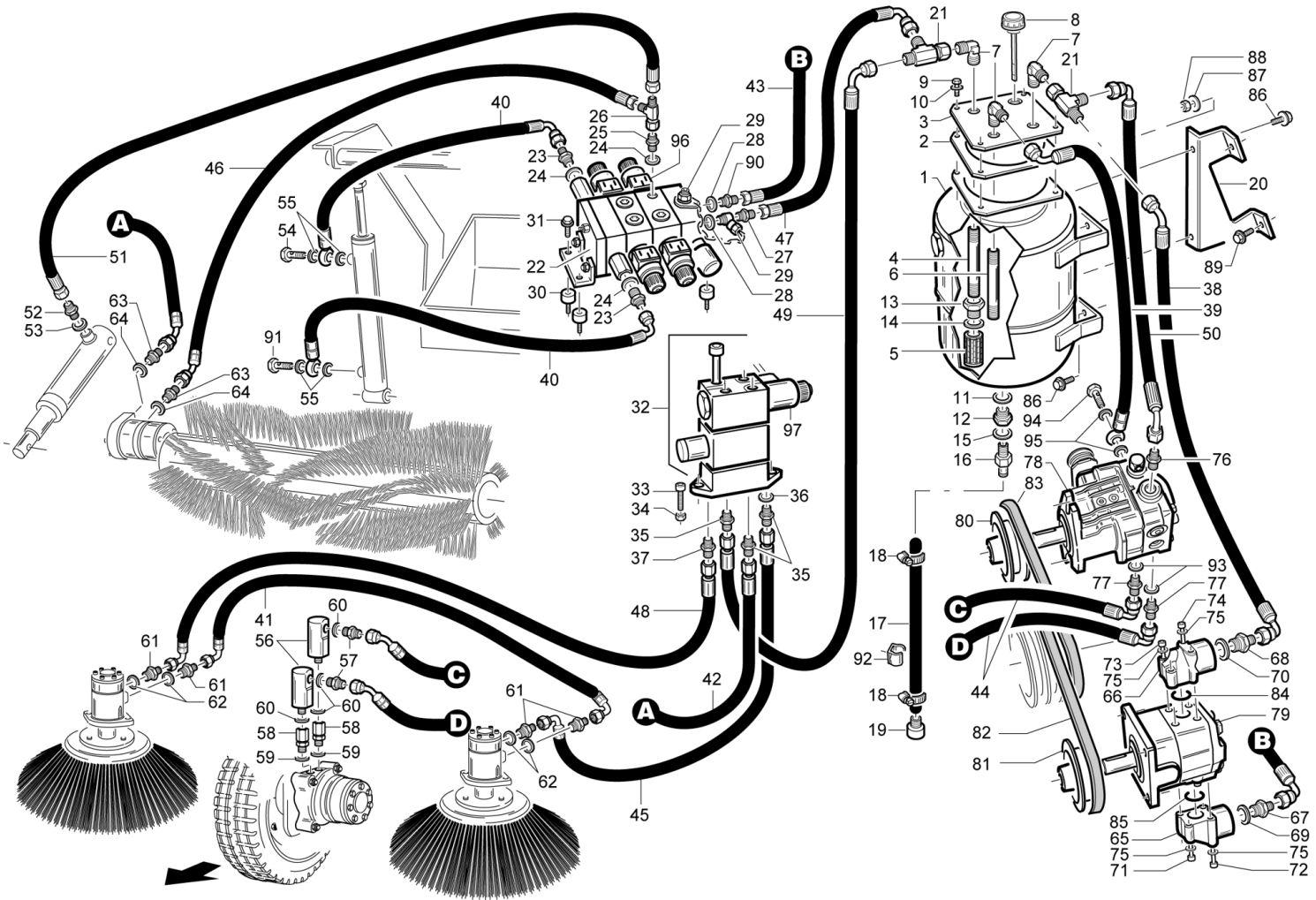
Ref.	K	Part N.	Customer Part N.	Description	Qty	Validity:		Price
						From	To	
0040		VTRS00504		WASHER D. 8 TE ZC. UNI 6592	1,00			--
0041		VTDD00492		NUT M 8 ZINC	1,00			--
0043		ABGO00009		VIBRATION DAMP.MM 40X30 8MAX25	4,00			--
0044		VTRS00512		WASHER D. 8 X24 ZC.	4,00			--
0045		VTDD00124		NUT M 8 BASSO	4,00			--
0046		MPVR00280		TANK CARBURANTE TK1400 DIESEL	1,00			--
0047		LAFN47171		BRACKET L.14 TANK.	2,00			--
0048		VTVT17639		SCREW TCEI M 5X10 UNI 5931	2,00			--
0049		VTRS15958		WASHER D. 5 X15 UNI 6593	2,00			--
0050		MECI85110		SWITCH S1.PML.M16	1,00			--
0051		GUGO00033		GASKET SENSORE BENZINA TK1400	1,00			--
0052		LAFN01091		HOSE FITTING SERBATOIO CARBURANTE 1400	2,00			--
0053		GUVR47174		GASKET L.14	2,00			--
0054		FSVR19693		CLAMP D. 7-11	2,00			--
0055		MPVR47165		TANK CAP C/VALV.	1,00			--
0056		MPVR00778		GASKET PROTEZ.SERBATOIO TK1400	1,00			--
0057		RCDS00002		CAP 1/4"	1,00			--
0058		VTVT00527		SCREW TE FR 6X10 ZB ZIG.	2,00			--
0059		FTCO00008		FILTER FB 1/A	1,00			--
0060		CMCV00431		CABLE 1450	1,00			--
0061		LAFN41024		BRACKET TRACTION PEDAL	1,00			--
0062		VTVT75726		SCREW TBEI M 6X 16 ISO 7380 ZB	2,00			--
0063		VTDD19688		NUT M6 UNI 7473	2,00			--
0064		LAFN41023		PEDALE 1450	1,00			--
0065		LAFN00092		BUSHING FISSAGGIO CHIAVE SBLOCCO	3,00			--
0066		VTRS00504		WASHER D. 8 TE ZC. UNI 6592	4,00			--
0067		VTDD00492		NUT M 8 ZINC	2,00			--
0068		LAFN06855		BRACKET 1450	1,00			--
0069		CMCV75739		ACCELERATOR TK S	1,00			--
0070		CMCV87184		CABLE + GU. TK 1000	1,00			--
0071		VTVT09841		SCREW TE M 4X 10 ZC. UNI 5739	2,00			--
0072		VTRS00501		WASHER D. 4 0.232 UNI 6592	2,00			--
0073		VTVT75726		SCREW TBEI M 6X 16 ISO 7380 ZB	4,00			--
0074		MPVR05590		CONVEYOR -	1,00			--
0075		GUGO00285		GASKET TK1320048	0,80			--
0076		VTVT75726		SCREW TBEI M 6X 16 ISO 7380 ZB	4,00			--
0077		VTRS04026		WASHER D. 6X18X2.38	4,00			--
0078		VTDD00491		NUT M 6 TEF	4,00			--
0079		VTVT63134		SCREW M 8X25 TSPEI ZC UNI 5933	4,00			--



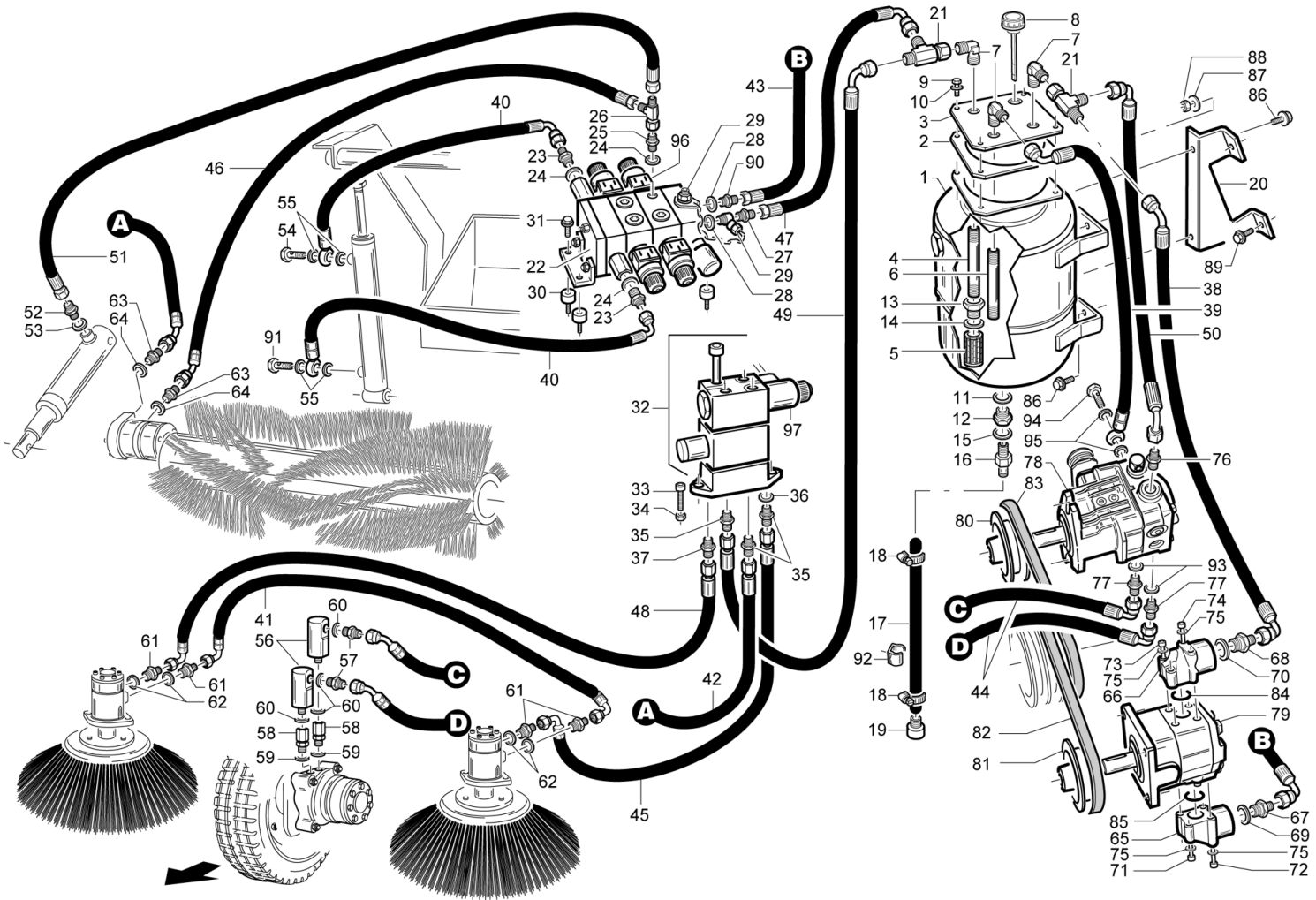
Ref.	K	Part N.	Customer Part N.	Description	Qty	Validity:		Price
						From	To	
0080		FSVR00033		CLAMP 45-60	2,00			--
0081		LAFN06850		BRACKET 1450	1,00			--
0082		VTVT63129		SCREW TE F/ROND. M 8X16 ZB	2,00			--
0083		VTVT00642		SCREW TE 10X30	1,00			--
0084		LAFN07242		CONVEYOR -	1,00			--
0085		VTRS00505		WASHER D.10 TE UNI 6592	1,00			--
0086		VTDD00493		NUT M10 TEF	1,00			--
0087		LAFN02936		METALLIC CLAMP 2"	1,00			--
0088		PPBP00054		PUMP 12V	1,00			--
0089		MPVR05455		CONVEYOR -	1,00			--
0090		VTVT75726		SCREW TBEI M 6X 16 ISO 7380 ZB	4,00			--
0091		VTRS00503		WASHER D. 6 TE UNI 6798	4,00			--
0092		VTDD00491		NUT M 6 TEF	4,00			--
0093		VTVT75724		SCREW TBEI M 8X 22 ISO 7380 ZB	2,00			--
0094		MPVR05475		LABEL -	1,00			--
0095		VTVT00527		SCREW TE FR 6X10 ZB ZIG.	3,00			--
0096		RCDS00002		CAP 1/4"	1,00			--
0097		TBBP00455		TUBE -	1,00			--
0098		VTRS00548		WASHER D.17,5X23X1,5 (3/8)RM	1,00			--
0099		RCVR00755		NIPPLE M-M	1,00			--
0100		LAFN00103		SPACER FISS.MOT.IDR.RUOTA ANT.	3,00			--
0101		VTRS00506		WASHER D.12 UNI 6592	1,00			--
0102		VTDD00494		NUT M12 TEF	1,00			--
0103		VTVT00029		SCREW TE UNI 5739 12X60 ZB	1,00			--
0104		VTRS21116		WASHER D. 3 INX	2,00			--
0105		VTVT01350		SCREW M3-20 INOX	2,00			--
0106		MECIO0114		MICROSWITCH	1,00			--
0107		VTRS21116		WASHER D. 3 INX	2,00			--
0108		VTDD00001		NUT UNI 5588 M3 ZB	2,00			--
0109		VTDD00001		NUT UNI 5588 M3 ZB	2,00			--
0110		PPBP00054		PUMP 12V	1,00			--
0111		VTVT00527		SCREW TE FR 6X10 ZB ZIG.	2,00			--
0112		VTVT00707		SCREW TE M 6X 80 ZC. UNI 5737	1,00			--
0113		VTRS00503		WASHER D. 6 TE UNI 6798	4,00			--
0114		VTRS00503		WASHER D. 6 TE UNI 6798	1,00			--
0115		VTDD00130		NUT M. 6	1,00			--
0116		RCDS35584		BUSHING D. 8X12X 4.3	2,00			--
0117		FSVR00024		HOSE COLLAR	1,00			--
0118		VTRS04026		WASHER D. 6X18X2.38	1,00			--



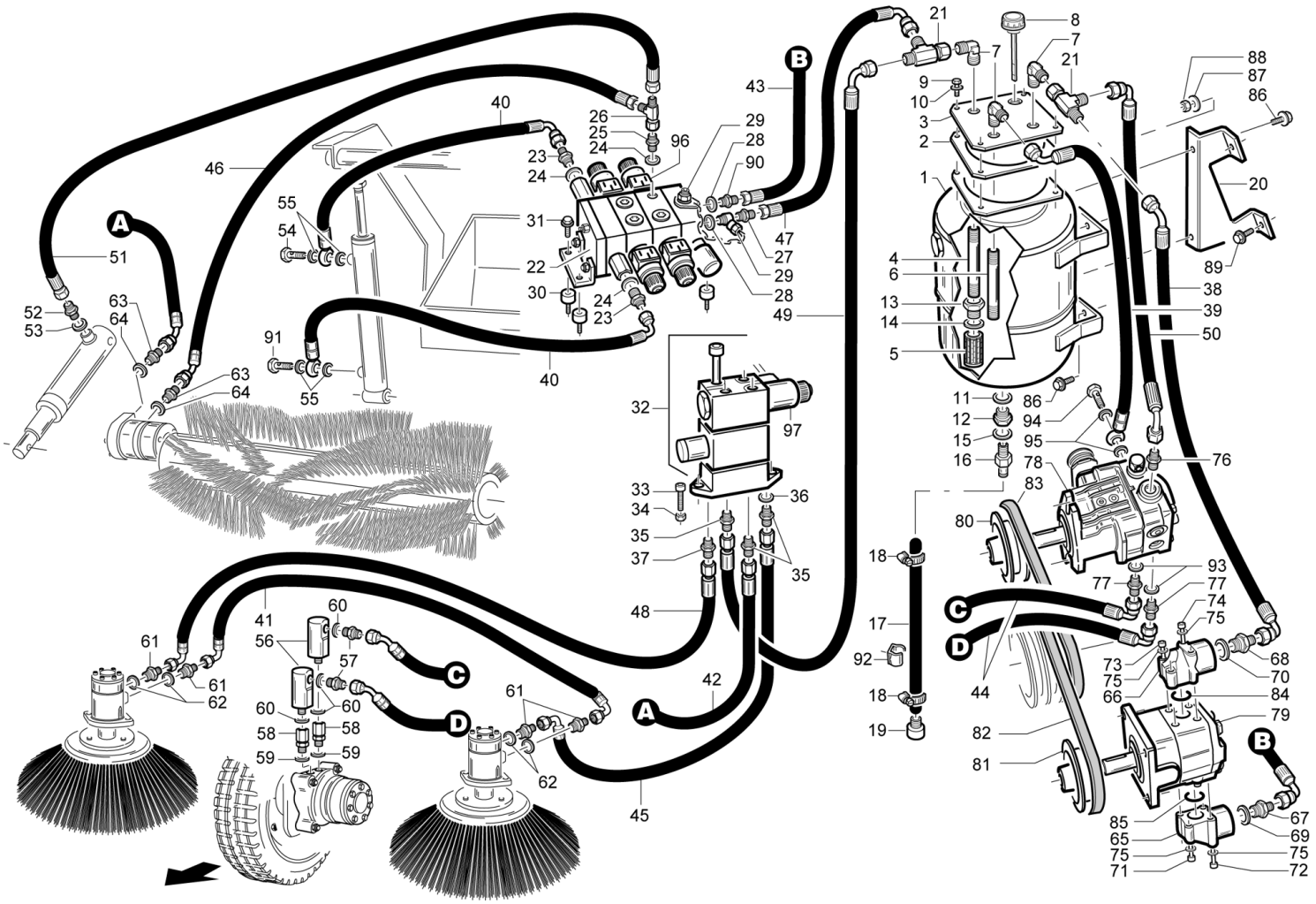
Ref.	K	Part N.	Customer Part N.	Description	Qty	Validity:		Price
						From	To	
0119		MPVR45096		RUBBER V 1201 GR.	1,00	09/2009		--
0120		LAFN06557		PEDALE G1450	1,00	09/2009		--
0121		VTVT00093		SCREW TBCE ISO 7380 6X12 ZB	2,00	09/2009		--



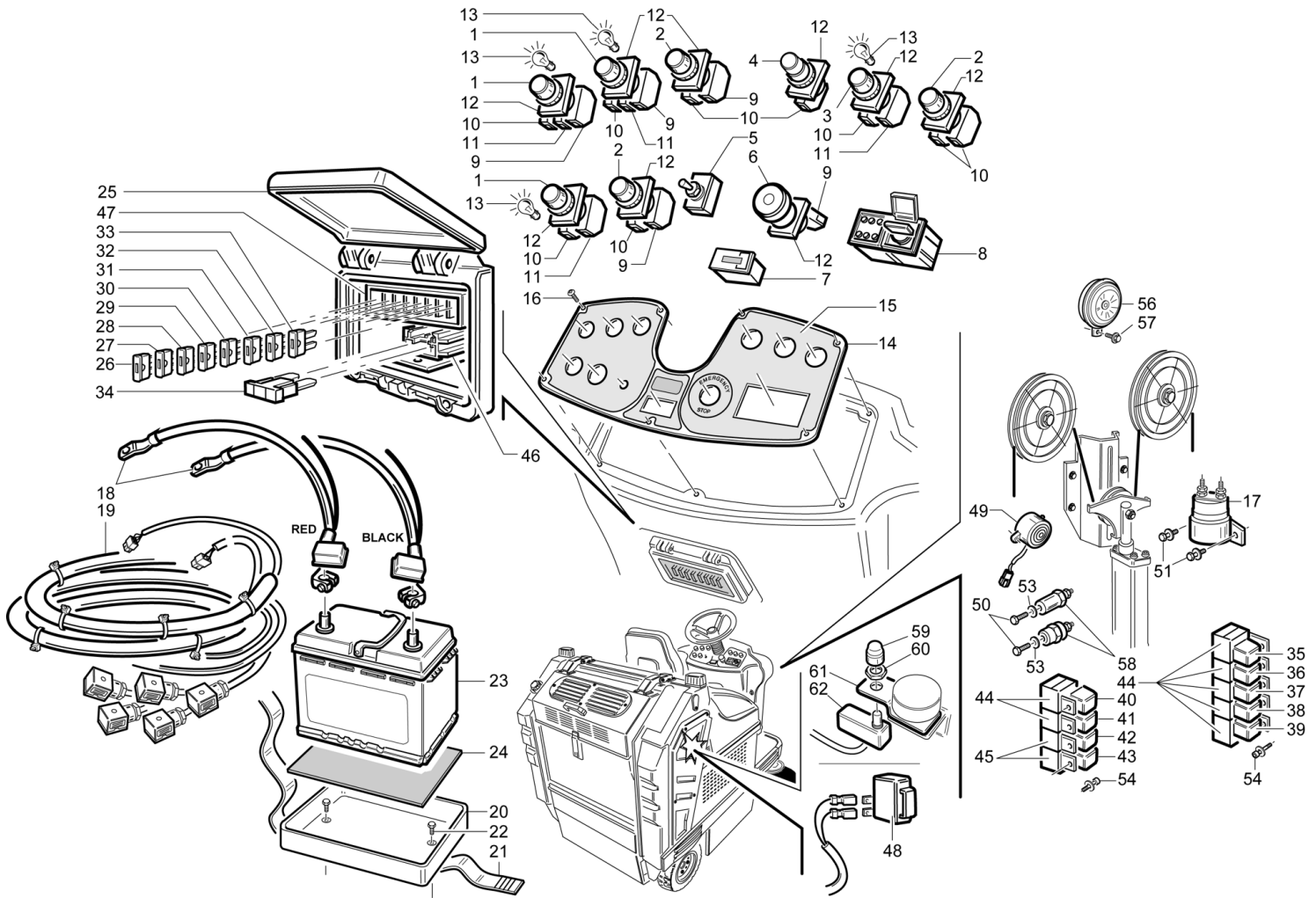
Ref.	K	Part N.	Customer Part N.	Description	Qty	Validity: From	To	Price
0001		PIID00008		TANK	1,00			--
0002		GUVR00063		GASKET HYDRAULIC TANK	1,00			--
0003		LAFN01852		FLANGE TANK 140/150/1450	1,00			--
0004		TBBP00060		TUBE OIL FILTER 150	1,00			--
0005		FTMT00008		OIL FILTER	1,00			--
0006		LAFN01853		TUBE OIL	2,00			--
0007		RCVR00182		CURVE	3,00			--
0008		RCVR00592		CAP 1/2"	1,00			--
0009		VTVT01531		SCREW TE 6X 16 UNI 5739	4,00			--
0010		VTRS01079		WASHER D. 6 GROWER	4,00			--
0011		VTRS11876		WASHER COPPER 3/4' 27X34X1.5	1,00			--
0012		RCVR00184		CAP	1,00			--
0013		RCVR00147		REDUCTION 1"M-1/2"F	1,00			--
0014		VTRS00092		WASHER COPPER 1"	1,00			--
0015		VTRS04931		WASHER COPPER D.13X19X1.5	1,00			--
0017		TBBP00097		OIL PIPE 10X17	1,00			--
0018		FSVR00025		CLAMP	2,00			--
0019		LAFN01550		CAP	1,00			--
0020		LAFN06937		BRACKET 1450	1,00			--
0021		RCDS00034		ADAPTER 1/2"	2,00			--
0022		PIID00044		BLOCK 1450	1,00		07/2009	--
0022		PIID00053		BLOCK IDRAULICO 1450	1,00	07/2009		--
0023		RCDS00035		REDUCTION 1/4"-1/8"	2,00			--
0024		VTRS00375		WASHER BONDER 1/4"	3,00			--
0025		RCDS00036		REDUCTION 1/4"-1/4"	1,00			--
0026		RCDS00037		ADAPTER 1/4"	1,00			--
0027		RCDS00038		REDUCTION 3/8"-3/8"	2,00		03/2010	--
0028		VTRS00143		WASHER BONDER 3/8"	2,00			--
0029		RCDS00039		SOCKET 1/4"	1,00			--
0030		LAFN00027		SCREW SEDILE VERSIONE DIESEL	4,00			--
0031		VTVT00527		SCREW TE FR 6X10 ZB ZIG.	4,00			--
0032		PIID00045		BLOCK 1450	1,00		07/2009	--
0032		PIID00054		BLOCK SPAZZOLE LAT.	1,00	07/2009		--
0033		VTVT06237		SCREW TCEI 6X20 UNI5931	2,00			--
0034		VTDD00491		NUT M 6 TEF	2,00			--
0035		RCDS00038		REDUCTION 3/8"-3/8"	3,00		03/2010	--
0036		VTRS00143		WASHER BONDER 3/8"	4,00			--
0037		RCDS00043		NIPPLE 1/2"1/4"	1,00			--
0038		TBAP00207		FLEXIBLE HOSE	1,00			--



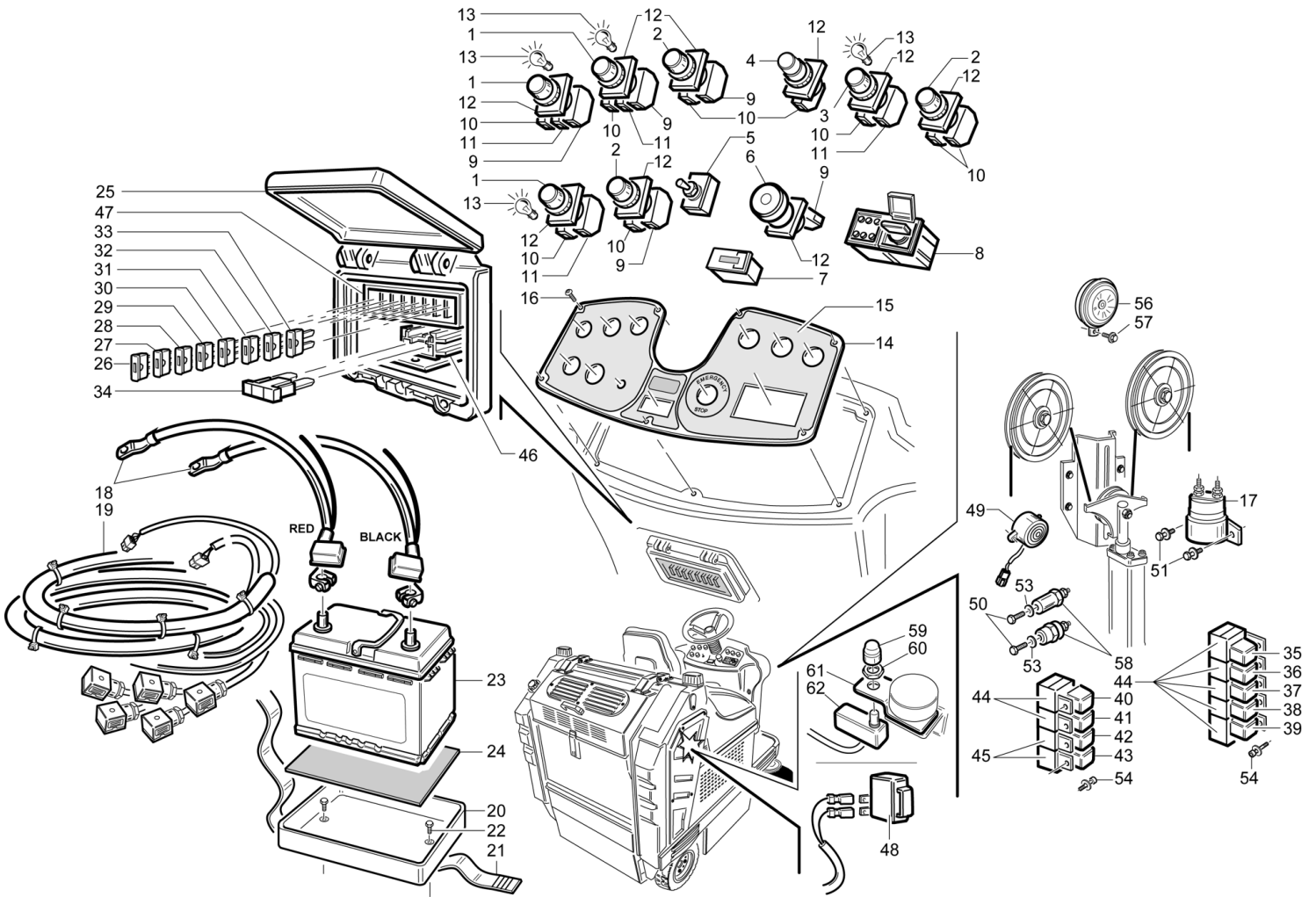
Ref.	K	Part N.	Customer Part N.	Description	Qty	Validity:		Price
						From	To	
0039		TBAP00208		FLEXIBLE HOSE	1,00			--
0040		TBAP00209		FLEXIBLE HOSE	2,00			--
0041		TBAP00210		FLEXIBLE HOSE	1,00			--
0042		TBAP00212		FLEXIBLE HOSE	1,00			--
0043		TBAP00213		FLEXIBLE HOSE	1,00			--
0044		TBAP00214		FLEXIBLE HOSE	2,00			--
0045		TBAP00215		FLEXIBLE HOSE	1,00			--
0046		TBAP00216		FLEXIBLE HOSE	1,00			--
0047		TBAP00217		FLEXIBLE HOSE	1,00			--
0048		TBAP00218		FLEXIBLE HOSE	1,00			--
0049		TBAP00217		FLEXIBLE HOSE	1,00			--
0050		TBAP00220		FLEXIBLE HOSE	1,00			--
0051		TBAP00211		FLEXIBLE HOSE	1,00			--
0052		RCDS00038		REDUCTION 3/8"-3/8"	1,00		03/2010	--
0053		VTRS00143		WASHER BONDER 3/8"	1,00			--
0054		RCDS47107		SCREW G 1/8	2,00			--
0055		VTRS00008		WASHER BONDER 1/8"	4,00			--
0056		RCDS00040		JOINT 90° 3/8"	2,00			--
0057		RCDS00041		NIPPLE 3/4"3/8"	2,00			--
0058		RCVR00589		REDUCTION -	2,00			--
0059		GUGO00441		O-RING -	2,00			--
0060		VTRS00143		WASHER BONDER 3/8"	4,00			--
0061		RCDS00043		NIPPLE 1/2"1/4"	4,00			--
0062		VTRS00142		WASHER BONDER 1/2"	4,00		07/2013	--
0062		VTRS00567		WASHER 1/2	4,00	07/2013		--
0063		RCDS00038		REDUCTION 3/8"-3/8"	2,00		03/2010	--
0064		VTRS00143		WASHER BONDER 3/8"	2,00			--
0065		RCDS00031		FLANGE 35mm	1,00			--
0066		RCDS00032		FLANGE 40mm	1,00			--
0067		RCDS00038		REDUCTION 3/8"-3/8"	1,00		03/2010	--
0068		RCDS00028		REDUCTION 1/2"-1/2"MM	1,00			--
0069		VTRS00143		WASHER BONDER 3/8"	1,00			--
0070		VTRS00142		WASHER BONDER 1/2"	1,00		07/2013	--
0070		VTRS00567		WASHER 1/2	1,00	07/2013		--
0071		VTVT12255		SCREW TCEI 6X25 UNI5931	2,00			--
0072		VTVT63029		SCREW TCEI M 6X 35 UNI 5931 ZB	2,00			--
0073		VTVT63029		SCREW TCEI M 6X 35 UNI 5931 ZB	2,00			--
0074		VTVT33568		SCREW TCEI M 6X45 UNI 5931	2,00			--
0075		VTRS01079		WASHER D. 6 GROWER	8,00			--



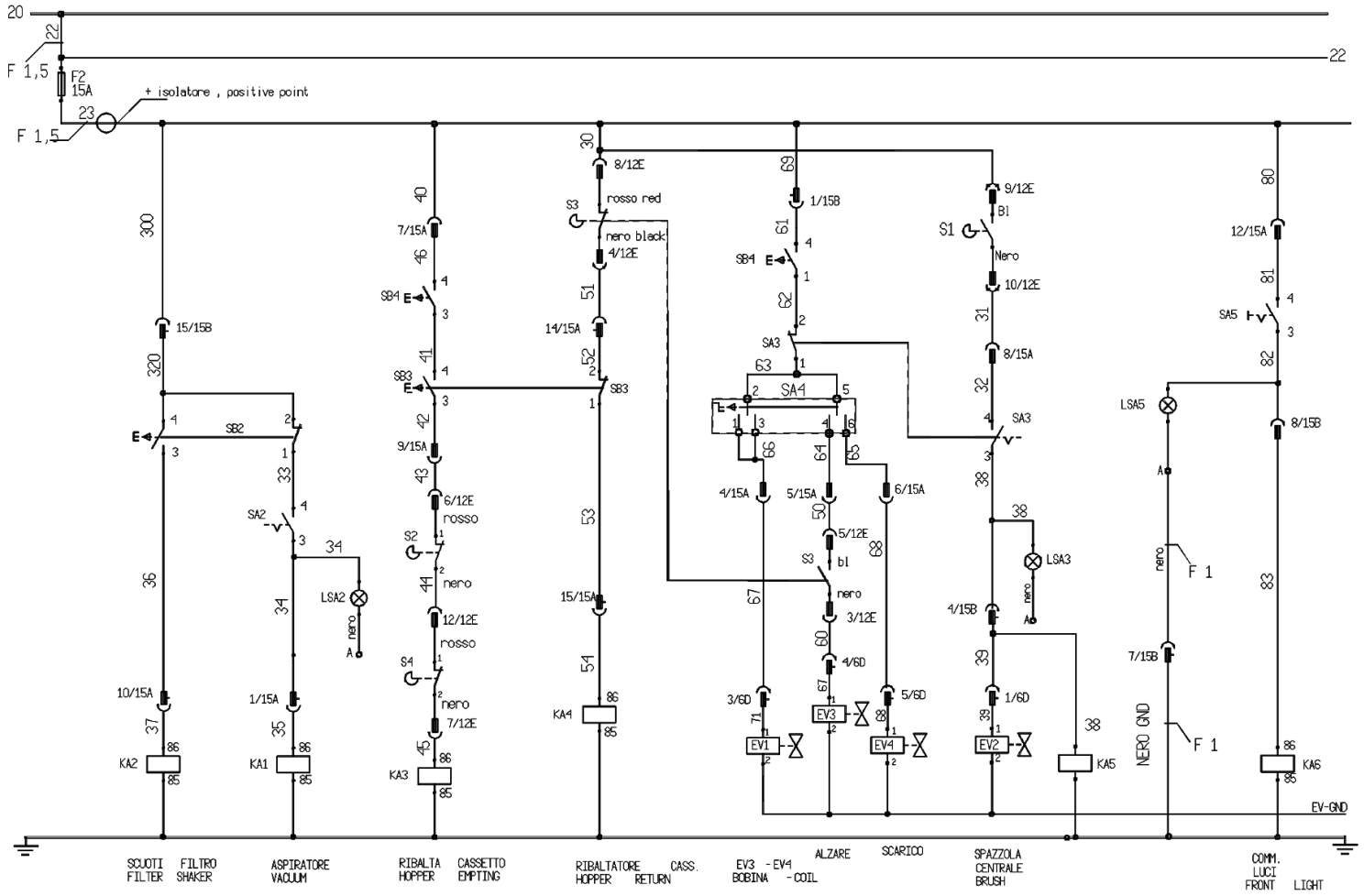
Ref.	K	Part N.	Customer Part N.	Description	Qty	Validity:		Price
						From	To	
0076		RCDS00030		REDUCTION 9/16"-9/16"	2,00			--
0077		RCDS00029		REDUCTION 3/4"-3/4"	2,00			--
0078		PPBP00047		PUMP 10 CC	1,00			--
0079		PPID00034		PUMP 4CC	1,00			--
0080		MTPL00202		PULLEY -	1,00			--
0081		MTPL00199		PULLEY SERVIZI	1,00			--
0082		MTCG00127		BELT G1450	1,00			--
0083		MTCG00127		BELT G1450	1,00			--
0084		GUGO00439		O-RING -	1,00			--
0085		GUGO00440		O-RING -	1,00			--
0086		VTVT01357		SCREW M8X20	6,00			--
0087		VTRS00504		WASHER D. 8 TE ZC. UNI 6592	2,00			--
0088		VTDD00492		NUT M 8 ZINC	2,00			--
0089		VTVT01357		SCREW M8X20	2,00			--
0090		RCDS00043		NIPPLE 1/2"1/4"	1,00			--
0091		VTVR00093		SCREW 1/8" hole 1,2	1,00			--
0092		FSVR00024		HOSE COLLAR	1,00			--
0093		GUGO00442		O-RING -	2,00			--
0094		RCVR00038		SCREW FORATA 9/16" JIC	1,00			--
0095		VTRS00003		WASHER RAME D.14	3,00			--
0096		MEVR01988		COIL 12V	4,00	07/2009		--
0097		MEVR01990		COIL 12V	1,00	07/2009		--



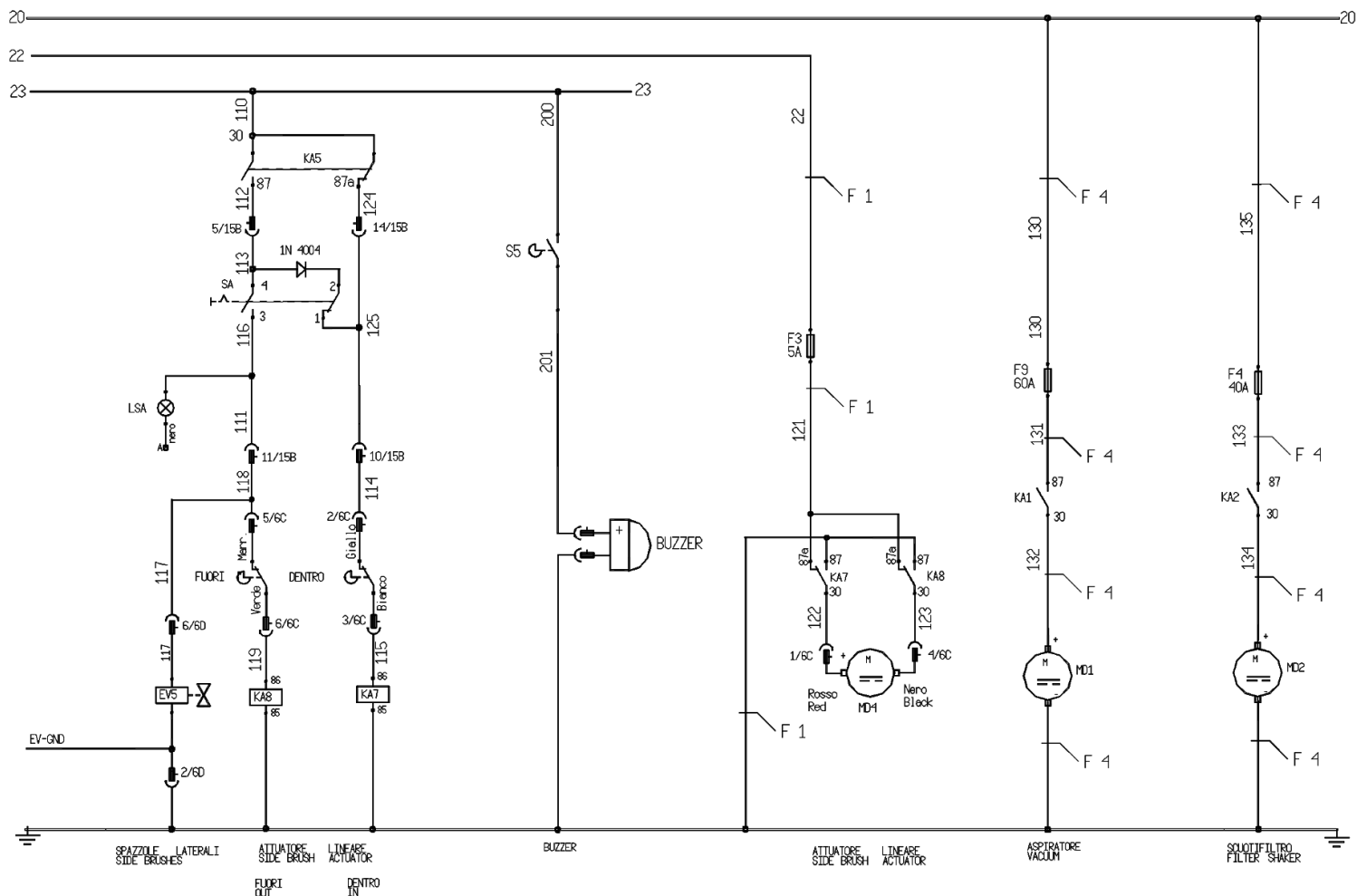
Ref.	K	Part N.	Customer Part N.	Description	Qty	Validity:		Price
						From	To	
0001		MECI00551		SWITCH -	3,00			--
0002		MECI00554		BUTTON -	3,00			--
0003		MECI00553		SWITCH -	1,00			--
0004		MECI00552		BUTTON -	1,00			--
0005		KTRI02132	1450	KIT	1,00	08/2012		--
0005		MECI00567		SELECTOR -	1,00		08/2012	--
0006		MECI00550		BUTTON -	1,00			--
0007		MESB00010		HOUR-COUNTER CURTIS	1,00			--
0008		MEVR01754		DIASASS.SPANNER-	1,00			--
0009		MECI00518		CONTACT NC	5,00			--
0010		MECI00517		CONTACT NO 3-4	10,00			--
0011		MECI00519		CONTACT LIGHT X1-X2	4,00			--
0012		MECI00520		SMALL BASKET FIX TO FIX CONTACT	9,00			--
0013		MELF00047		LAMP -	4,00			--
0014		LAFN06725		BOARD 1450	1,00			--
0015		ETET01580		LABEL 1450	1,00			--
0016		VTVT01366		SCREW M4X16	7,00			--
0017		METT00091		CONTACTOR 12V ET106 P1	1,00			--
0018		MECB01076		WIRING -	1,00			--
0019		MECB01075		WIRING -	1,00			--
0020		LAFN10051		CONTAINER BATTERY	1,00			--
0021		MPVR02939		BELT BATTERIA	1,00			--
0022		VTVT62920		SCREW TE F/ROND. M 6X 16 ZB	2,00			--
0023		BAAC00038		BATTERY 12V 45Ah	1,00		01/2010	--
0023		BAAC75749		BATTERY 12V 45A X SW1000SC	1,00	01/2010		--
0024		LAFN02617		PROTECTION RUBBER	1,00			--
0025		MEVR00232		DOOR TO REMOVE AND RESET FUSE	1,00			--
0026		MEVR00344		FUSE 4A	1,00			--
0027		MEVR01133		FUSE 15A 32V	1,00			--
0028		MEVR01133		FUSE 15A 32V	1,00			--
0029		MEVR01133		FUSE 15A 32V	1,00			--
0030		MEVR01380		FUSE A LAMA	1,00			--
0031		MEVR00344		FUSE 4A	1,00			--
0032		MEVR01133		FUSE 15A 32V	1,00			--
0033		MEVR00039		FUSE LAMELLARE 20A	1,00			--
0034		MEVR00617		FUSE 80A	1,00			--
0035		MERL00012		SWITCH RELAY 12V	1,00			--
0036		MERL00012		SWITCH RELAY 12V	1,00			--
0037		MERL00012		SWITCH RELAY 12V	1,00			--



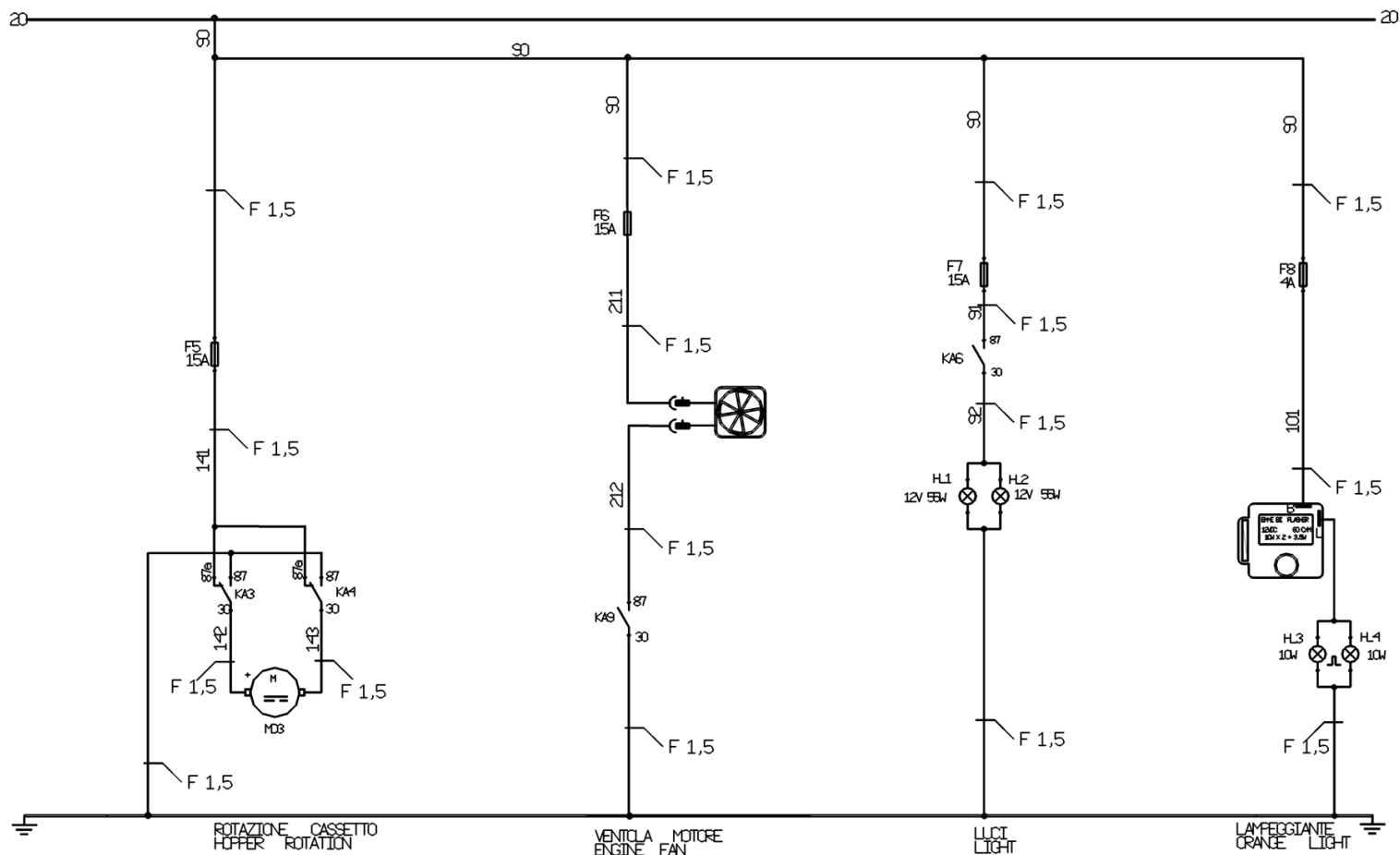
Ref.	K	Part N.	Customer Part N.	Description	Qty	Validity:		Price
						From	To	
0038		MERL00012		SWITCH RELAY 12V	1,00			--
0039		MERL00012		SWITCH RELAY 12V	1,00			--
0040		MERL00012		SWITCH RELAY 12V	1,00			--
0041		MERL00012		SWITCH RELAY 12V	1,00			--
0042		MERL00014		SWITCH RELAY 12V	1,00			--
0043		MERL00014		SWITCH RELAY 12V	1,00			--
0044		MEVR02014		BASE -	7,00			--
0045		MEVR02015		BASE -	2,00			--
0046		MEVR00613		FUSE CARRIER MAXIVAL with cover	1,00			--
0047		MEVR01742		FUSE-HOLDER	1,00			--
0048		MECE00476		BOARD 20W	1,00			--
0049		MEVR02013		BUZZER -	1,00			--
0050		VTVT00005		SCREW TE FR 5X12 ZB	2,00			--
0051		VTVT00005		SCREW TE FR 5X12 ZB	2,00			--
0054		VTVT00005		SCREW TE FR 5X12 ZB	4,00			--
0056		MEVR33429		KLAXON K100/Y 1A 12V	1,00			--
0057		VTVT62920		SCREW TE F/ROND. M 6X 16 ZB	1,00			--
0059		MEVR00655		CAP	1,00	01/2010		--
0060		MECI75801		MICROSWITCH TK	1,00	01/2010		--
0061		LAFN07862		BRACKET -	1,00	01/2010		--
0062		MECI75801		MICROSWITCH TK	1,00	01/2010		--



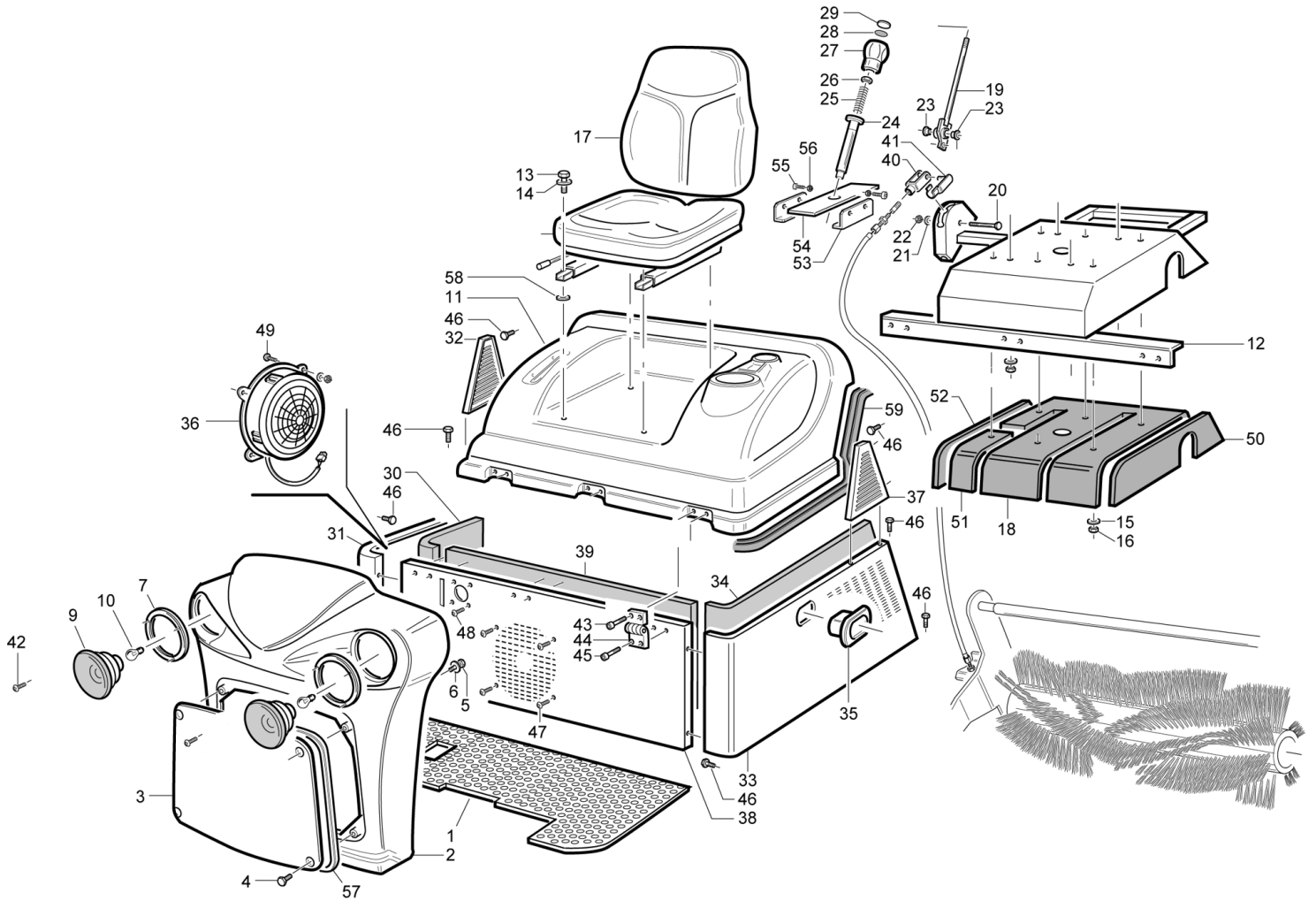
Ref.	K	Part N.	Customer Part N.	Description	Qty	Validity:		Price
						From	To	
0GS1		ARGN00019		ALTERNATOR 12V	1,00			--
0HA1		MEVR33429		KLAXON K100/Y 1A 12V	1,00			--
0KA1		MERL00012		SWITCH RELAY 12V	1,00			--
0KA2		MERL00012		SWITCH RELAY 12V	1,00			--
0KA3		MERL00012		SWITCH RELAY 12V	1,00			--
0KA4		MERL00012		SWITCH RELAY 12V	1,00			--
0KA5		MERL00014		SWITCH RELAY 12V	1,00			--
0KA6		MERL00014		SWITCH RELAY 12V	1,00			--
0KA7		MERL00012		SWITCH RELAY 12V	1,00			--
0KA8		MERL00012		SWITCH RELAY 12V	1,00			--
0KM1		METT00091		CONTACTOR 12V ET106 P1	1,00			--
0MD1		VEVR00068		IMPELLER -	1,00			--
0MD2		MOCC00340		MOTOR 1450	1,00			--
0MD3		RDGR00037		MOTOR.GEARBOX 1450	1,00			--
0MD4		MOCC00339		ATUATOR 1450	1,00			--



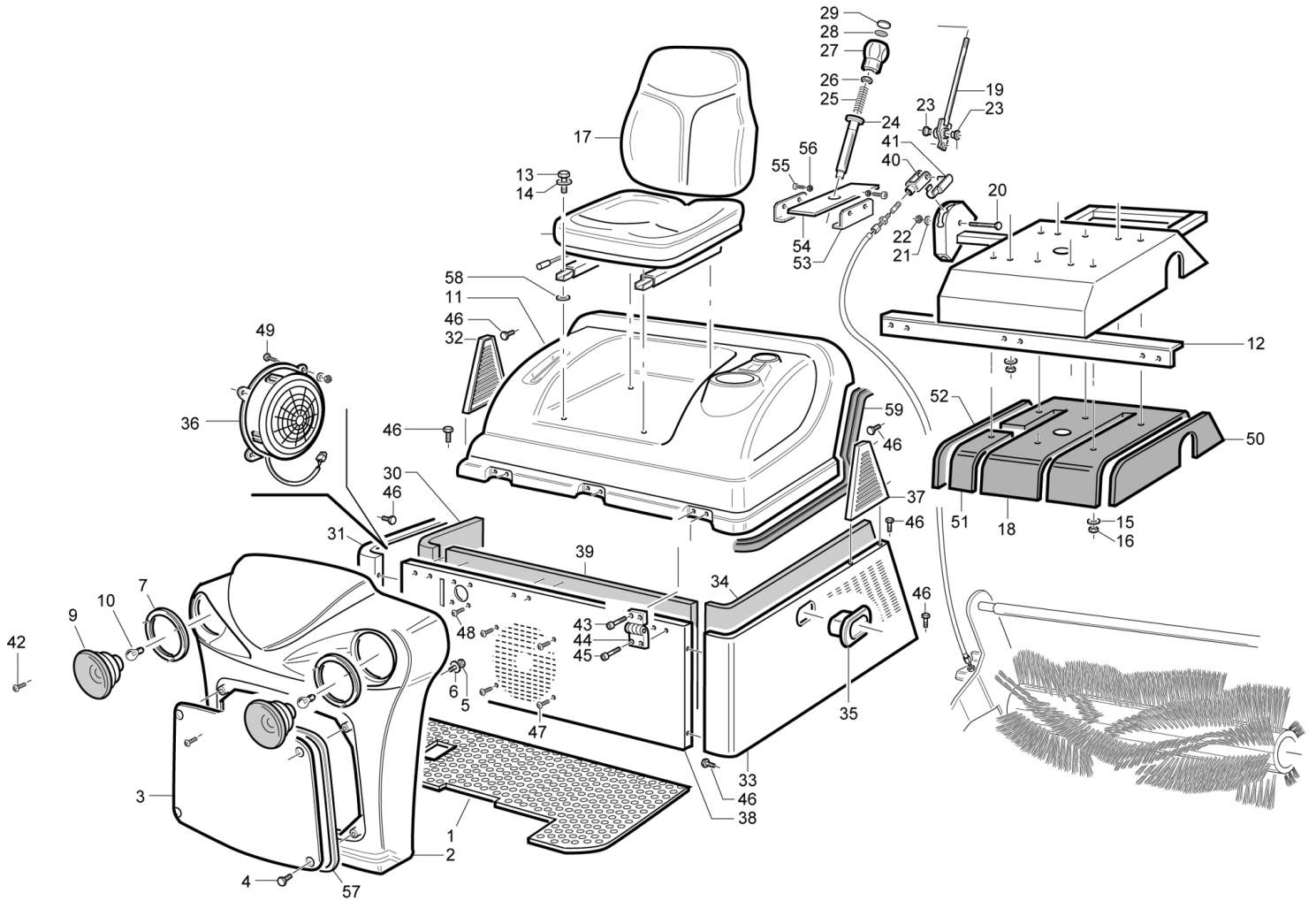
Ref.	K	Part N.	Customer Part N.	Description	Qty	Validity:		Price
						From	To	
0GS1		ARGN00019		ALTERNATOR 12V	1,00			--
0HA1		MEVR33429		KLAXON K100/Y 1A 12V	1,00			--
0KA1		MERL00012		SWITCH RELAY 12V	1,00			--
0KA2		MERL00012		SWITCH RELAY 12V	1,00			--
0KA3		MERL00012		SWITCH RELAY 12V	1,00			--
0KA4		MERL00012		SWITCH RELAY 12V	1,00			--
0KA5		MERL00014		SWITCH RELAY 12V	1,00			--
0KA6		MERL00014		SWITCH RELAY 12V	1,00			--
0KA7		MERL00012		SWITCH RELAY 12V	1,00			--
0KA8		MERL00012		SWITCH RELAY 12V	1,00			--
0KM1		METT00091		CONTACTOR 12V ET106 P1	1,00			--
0MD1		VEVR00068		IMPELLER -	1,00			--
0MD2		MOCC00340		MOTOR 1450	1,00			--
0MD3		RDGR00037		MOTOR.GEARBOX 1450	1,00			--
0MD4		MOCC00339		ATUATOR 1450	1,00			--



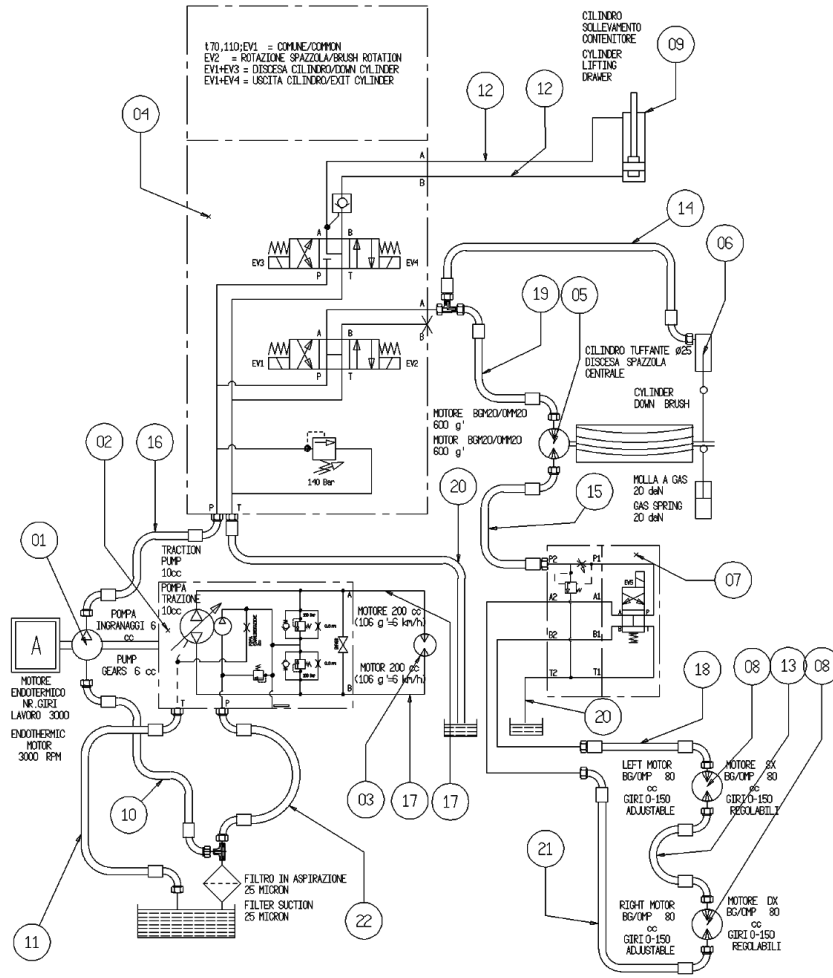
Ref.	K	Part N.	Customer Part N.	Description	Qty	Validity:		Price
						From	To	
0GS1		ARGN00019		ALTERNATOR 12V	1,00			--
0HA1		MEVR33429		KLAXON K100/Y 1A 12V	1,00			--
0KA1		MERL00012		SWITCH RELAY 12V	1,00			--
0KA2		MERL00012		SWITCH RELAY 12V	1,00			--
0KA3		MERL00012		SWITCH RELAY 12V	1,00			--
0KA4		MERL00012		SWITCH RELAY 12V	1,00			--
0KA5		MERL00014		SWITCH RELAY 12V	1,00			--
0KA6		MERL00014		SWITCH RELAY 12V	1,00			--
0KA7		MERL00012		SWITCH RELAY 12V	1,00			--
0KA8		MERL00012		SWITCH RELAY 12V	1,00			--
0KM1		METT00080		CONTACTOR E TL 10P 12V 100A	1,00			--
0MD1		VEVR00068		IMPELLER -	1,00			--
0MD2		MOCC00340		MOTOR 1450	1,00			--
0MD3		RDGR00037		MOTOR.GEARBOX 1450	1,00			--
0MD4		MOCC00339		ATUATOR 1450	1,00			--



Ref.	K	Part N.	Customer Part N.	Description	Qty	Validity:		Price
						From	To	
0001		MPVR05382		ROD 1450	1,00			--
0002		MPVR07053		SIDE PANEL 1450	1,00			--
0003		MPVR05367		COVER 1450	1,00			--
0004		VTVT00005		SCREW TE FR 5X12 ZB	4,00			--
0005		VTVT62920		SCREW TE F/ROND. M 6X 16 ZB	5,00			--
0006		VTRS63242		WASHER D. 6 X24 ZC	4,00			--
0007		MPVR05369		BRACKET 1450	2,00			--
0009		MELF00052		LANTERN -	2,00	06/2011		--
0009		MEVR00135		LANTERN G1400	2,00		06/2011	--
0010		MELF00050		LAMP -	2,00	06/2011		--
0011		KTRI02101		KIT -	1,00			--
0012		LAFN06761		FRAME PORTASEDILE 1450	1,00			--
0013		VTVT00017		SCREW TE UNI 5739 8X35 ZB	4,00	03/2013	12/2015	--
0013		VTVT00447		SCREW TE 8X25 UNI5739	4,00	12/2015		--
0013		VTVT00450		SCREW TE 8X40 UNI5739	4,00		03/2013	--
0014		VTRS00512		WASHER D. 8 X24 ZC.	4,00			--
0015		VTRS00512		WASHER D. 8 X24 ZC.	4,00			--
0016		VTDD00124		NUT M 8 BASSO	4,00			--
0017		SESD00003		SEAT TK1300 CON MICRO.E GUIDE	1,00		04/2014	--
0017		SESD45981		SEAT SC 73 L.14	1,00	04/2014		--
0018		ITSO00062		INSULATOR 1450	1,00			--
0019		LAFN06762		LEVER 1450	1,00			--
0020		VTVT00626		SCREW TE 8X40	1,00			--
0021		VTRS00504		WASHER D. 8 TE ZC. UNI 6592	1,00			--
0022		VTDD00124		NUT M 8 BASSO	1,00			--
0023		RCDS31040		BUSHING D. 8X 12X13	2,00			--
0024		LAFN06763		BOX 1450	1,00			--
0025		MLML47075		SPRING D.15X 24 X1.5	1,00			--
0026		VTDD00042		NUT AUT.M10 UNI7474	1,00			--
0027		MPVR05432		SMALL KNOB 1450	1,00			--
0028		MPVR05433		LABEL 1450	1,00			--
0029		MPVR05545		COVER 1450	1,00			--
0030		ITSO00060		INSULATOR 1450	1,00			--
0031		LAFN06758		BODY SIDE 1450	1,00			--
0032		LAFN06868		BODY SIDE 1450	1,00			--
0033		LAFN06759		BODY SIDE 1450	1,00			--
0034		ITSO00061		INSULATOR 1450	1,00			--
0035		MPVR04698		FRAME FORO	1,00			--
0036		VEVR00069		IMPELLER -	1,00			--



Ref.	K	Part N.	Customer Part N.	Description	Qty	Validity:		Price
						From	To	
0037		LAFN06869		BODY SIDE 1450	1,00			--
0038		LAFN06760		PANEL 1450	1,00			--
0039		ITSO00059		INSULATOR 1450	1,00			--
0040		CMCV00001		FORK UNI 1676 M8X16	1,00			--
0041		CMCV75718		CLIP UNI 1676 M8	1,00			--
0042		VTVT00800		SCREW TC 4X12 ZN	6,00			--
0043		VTVT06237		SCREW TCEI 6X20 UNI5931	6,00			--
0044		CEVR85332		HINGE MEB F D.6 TK	3,00			--
0045		VTVT06237		SCREW TCEI 6X20 UNI5931	6,00			--
0046		VTVT62920		SCREW TE F/ROND. M 6X 16 ZB	6,00			--
0047		VTVT75726		SCREW TBEI M 6X 16 ISO 7380 ZB	4,00			--
0048		VTVT75726		SCREW TBEI M 6X 16 ISO 7380 ZB	4,00			--
0049		VTVT75726		SCREW TBEI M 6X 16 ISO 7380 ZB	4,00			--
0050		ITSO00065		INSULATOR 1450	1,00			--
0051		ITSO00067		INSULATOR 1450	1,00			--
0052		ITSO00064		INSULATOR 1450	1,00			--
0053		LAFN07451		GUIDE -	2,00			--
0054		MPVR05462		SLIDE -	1,00			--
0055		VTVT00659		SCREW TC+ M. 4-15	4,00			--
0056		VTDD04369		NUT M 4 TEF UNI 7473	4,00			--
0057		GUGO00432		GASKET -	1,70			--
0058		VTRS00512		WASHER D. 8 X24 ZC.	4,00			--
0059		GUVR00010		GASKET	1,00			--



Ref.	K	Part N.	Customer Part N.	Description	Qty	Validity:		Price
						From	To	
0001		PPID00034		PUMP 4CC	1,00			--
0002		PPBP00047		PUMP 10 CC	1,00			--
0003		MOID00025		MOTOR -	1,00			--
0004		PIID00044		BLOCK 1450	1,00		07/2009	--
0004		PIID00053		BLOCK IDRAULICO 1450	1,00	07/2009		--
0005		MOID00003		HYDRAULIC MOTOR20 CC	1,00			--
0006		PIID00043		CYLINDER D.25	1,00		05/2009	--
0006		PIID00050		CYLINDER D.25	1,00	05/2009		--
0007		PIID00045		BLOCK 1450	1,00		07/2009	--
0007		PIID00054		BLOCK SPAZZOLE LAT.	1,00	07/2009		--
0008		MOID00023		MOTOR 1450	2,00			--
0009		PIID45105		PISTON D.50 ST25	1,00			--
0010		TBAP00207		FLEXIBLE HOSE	1,00			--
0011		TBAP00208		FLEXIBLE HOSE	1,00			--
0012		TBAP00209		FLEXIBLE HOSE	2,00			--
0013		TBAP00210		FLEXIBLE HOSE	1,00			--
0014		TBAP00211		FLEXIBLE HOSE	1,00			--
0015		TBAP00212		FLEXIBLE HOSE	1,00			--
0016		TBAP00213		FLEXIBLE HOSE	1,00			--
0017		TBAP00214		FLEXIBLE HOSE	2,00			--
0018		TBAP00215		FLEXIBLE HOSE	1,00			--
0019		TBAP00216		FLEXIBLE HOSE	1,00			--
0020		TBAP00217		FLEXIBLE HOSE	2,00			--
0021		TBAP00218		FLEXIBLE HOSE	1,00			--
0022		TBAP00220		FLEXIBLE HOSE	1,00			--