

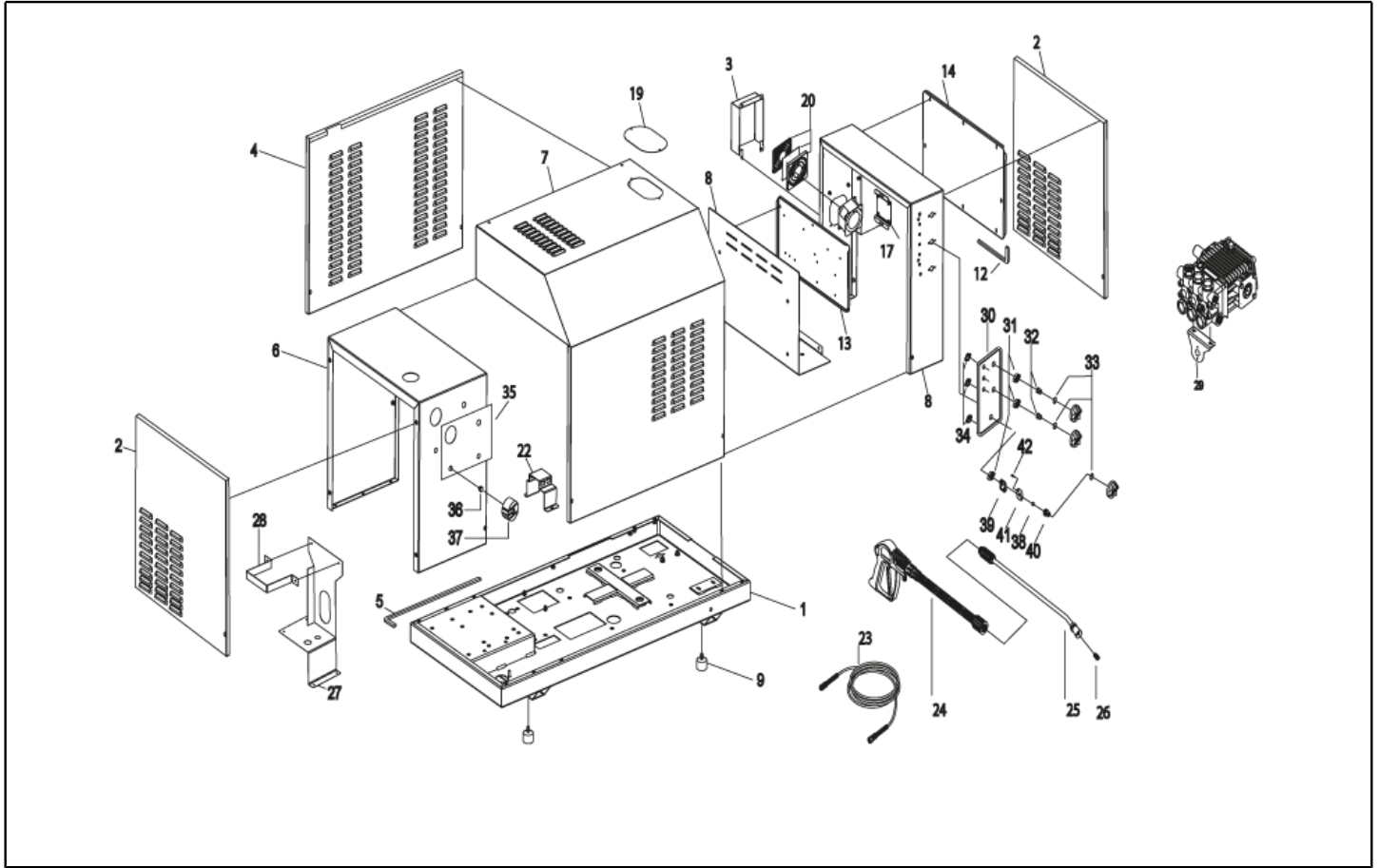


IPC

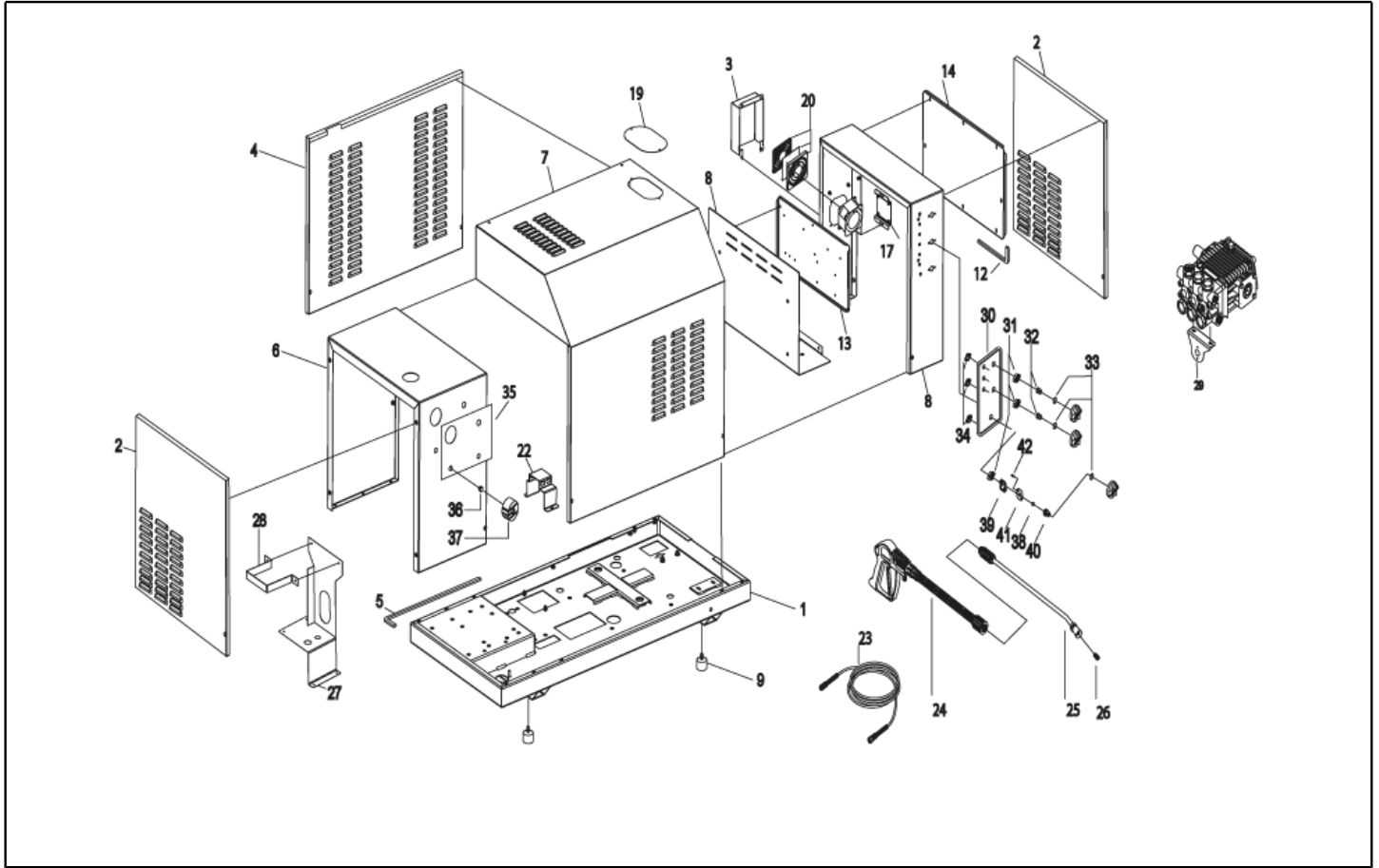
Spare parts list

Ref: IDAC41136

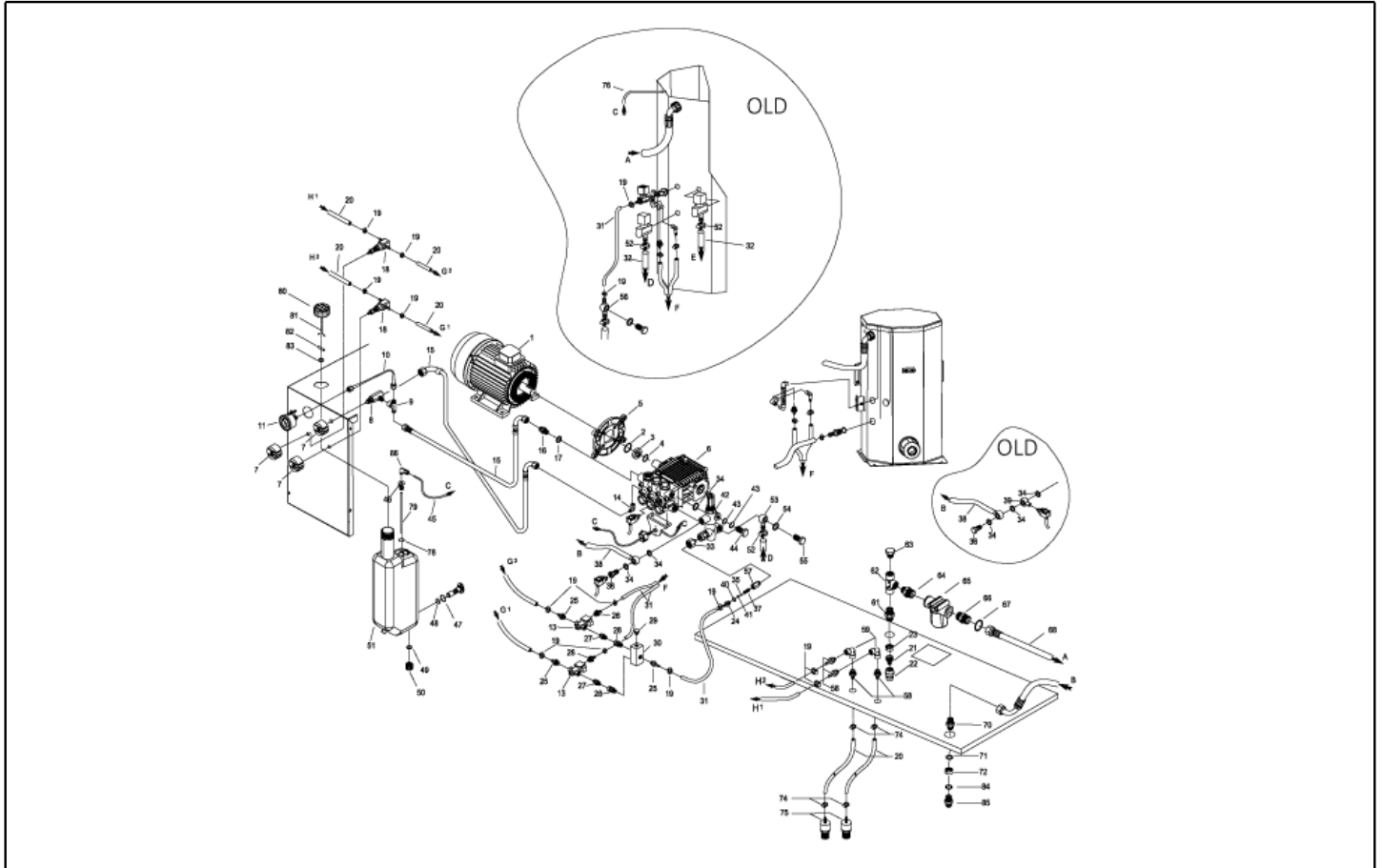
Model: H.P. CLEANER IWD-E D1712P36 T400/50IPC



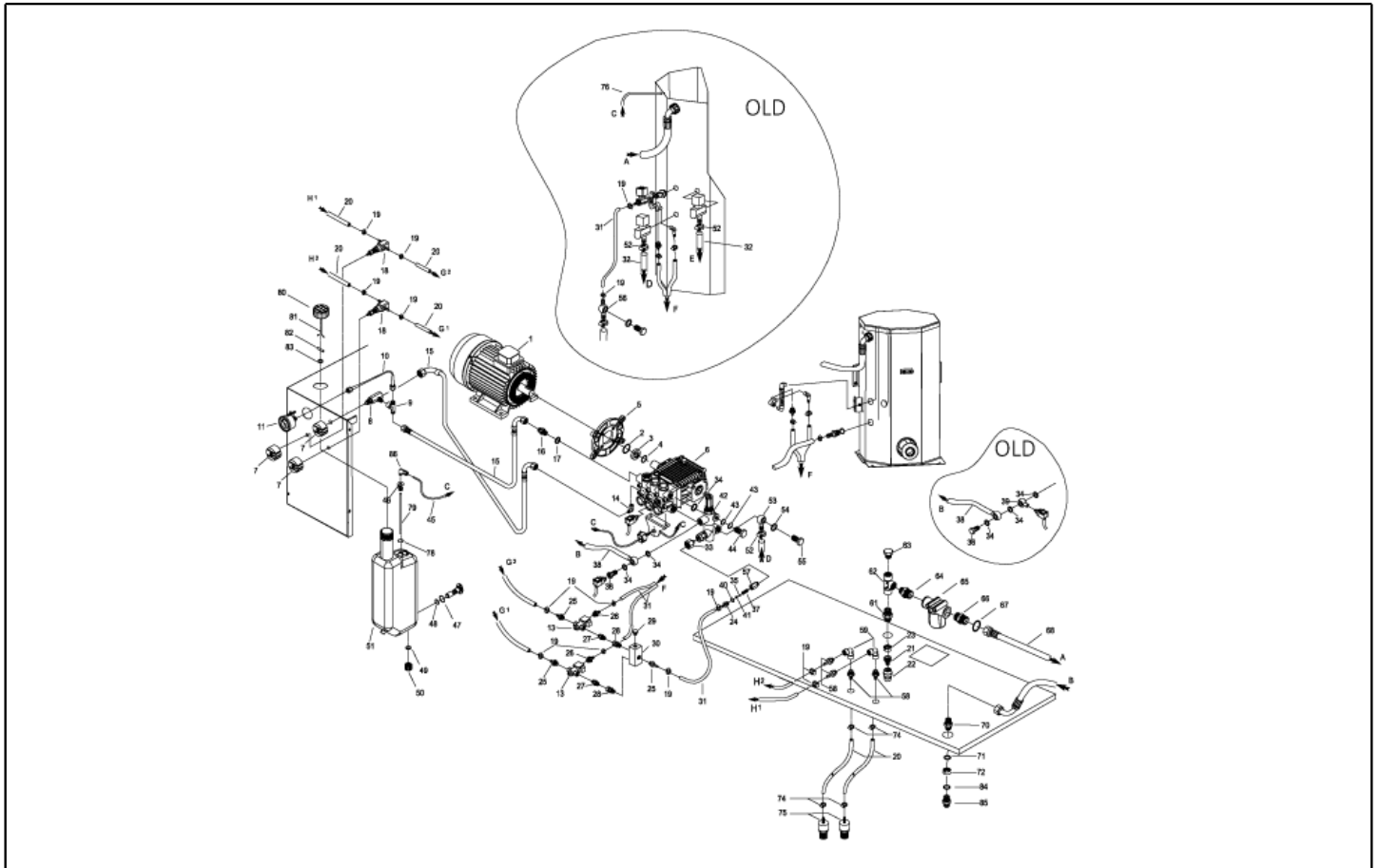
Ref. K	Part n.	Part n. 2	Description	Quantity	Validity		Price
					From	To	
0001	LAFN41205		BASE IDROWAND-E D/2 BK	1,00			--
0002	LAFN48165		LAT. PANEL IWD/2 DX-SX L.20 INX	2,00			--
0003	LAFN41213		PROTECTION IWD-E IX	1,00			--
0004	LAFN48162		BACK PANEL IWD/2 INX	1,00			--
0005	GUVR13437		EDGE H=10	0,12			--
0006	LAFN41199		BAND IWD-E LT.SX INX	1,00			--
0007	LAFN48163		ANT. PANEL IWD/2 -40MT INX	1,00			--
0008	LAFN41200		BAND IWD-E LT.DX INX	1,00			--
0009	ABGO33796		VIBRATION DAMP. 40X30-M 8X12+M 8F-60+5SH	4,00			--
0012	GUGO27129		JOINT 10X3	1,50			--
0013	LAFN41201		PLATE IWD-E ZC	1,00			--
0014	LAFN41203		BOX COVER IWD-E INX	1,00			--
0017	LAFN41165		SUPPORT BRACKET PW-E100 ZC.	1,00		30/09/2020	--
0018	VTVR48190		BAR M 6X190 IWD/2	2,00			--
0019	LAFN41204		PLUGGING IWD-E/IX	1,00			--
0020	FTDP40023		AIR FILTER 80X80X10 PAM	1,00			--
0020	GUGO48318		GASKET D. 9- 14 X 1 NBR	1,00			--
0021	MPVR89723		GREY KNOB P176-MR C/F.FS.	3,00			--
0022	LAFN41197		FILTER BRACKET IWD-E BK.	1,00			--
0023	TBAP40237		H.P. HOSE R1 MT 10 1/ 4" C/2 IRV AM	1,00			--
0024	IPPR40025		GRIP G 6000+P.330 +M22 SW.M 2V	1,00			--
0025	LCPR40087		EXTENSION P 70 -P20.IX700 M22 M	1,00			--
0026	UGLN49986		NOZZLE LECH 1/4 1504	1,00			--
0027	LAFN41195		SUPPORT BRACKET IWD-E BK.	1,00			--
0028	LAFN41196		BRACKET IWD-E A.CLC.BK.	1,00			--
0029	LAFN41172		SUPPORT A.CALC. PW-E100 ZC	1,00			--
0029	MPVR44324		SUPPORT NM1-P105 PVC	1,00			--
0030	ETET41414		LABEL IWD-E ELETT.	1,00			--
0031	MPVR23487		THICKNESS THERM. - INT. TUV	3,00			--
0032	MPVR23482		TAIL PIECE TEC. TUV	2,00			--
0033	GUGO25527		O-RING D. 14 X 3 NBR 70SH	3,00			--
0034	MEVR40281		SPACER M 4 X 7 L= 8 PA6.6	3,00			--
0035	ETET41420		LABEL IWD-E IDR. PC	1,00			--
0036	LAFN40923		INSERT CH.13 L.7 OT.	1,00			--
0037	MPVR74070		INSERT FOR STEAM CRANK	2,00			--
0038	S LAFN40916		BUSHING D. 6- 9 L= 8 BZ.SINT.	1,00	01/11/2016		--
0039	S MPVR41903		THICKNESS TERM.IM.PA66	1,00			--
0040	S MPVR40843		TAIL PIECE THERM.PW-H PL.	1,00	01/11/2016		--
0041	S LAFN40763		PLATE PW-H28 POT. IX	1,00			--
0042	S VTVR40014		PIN CH. 7 X 10 M4M/M4F NIK.	2,00			--



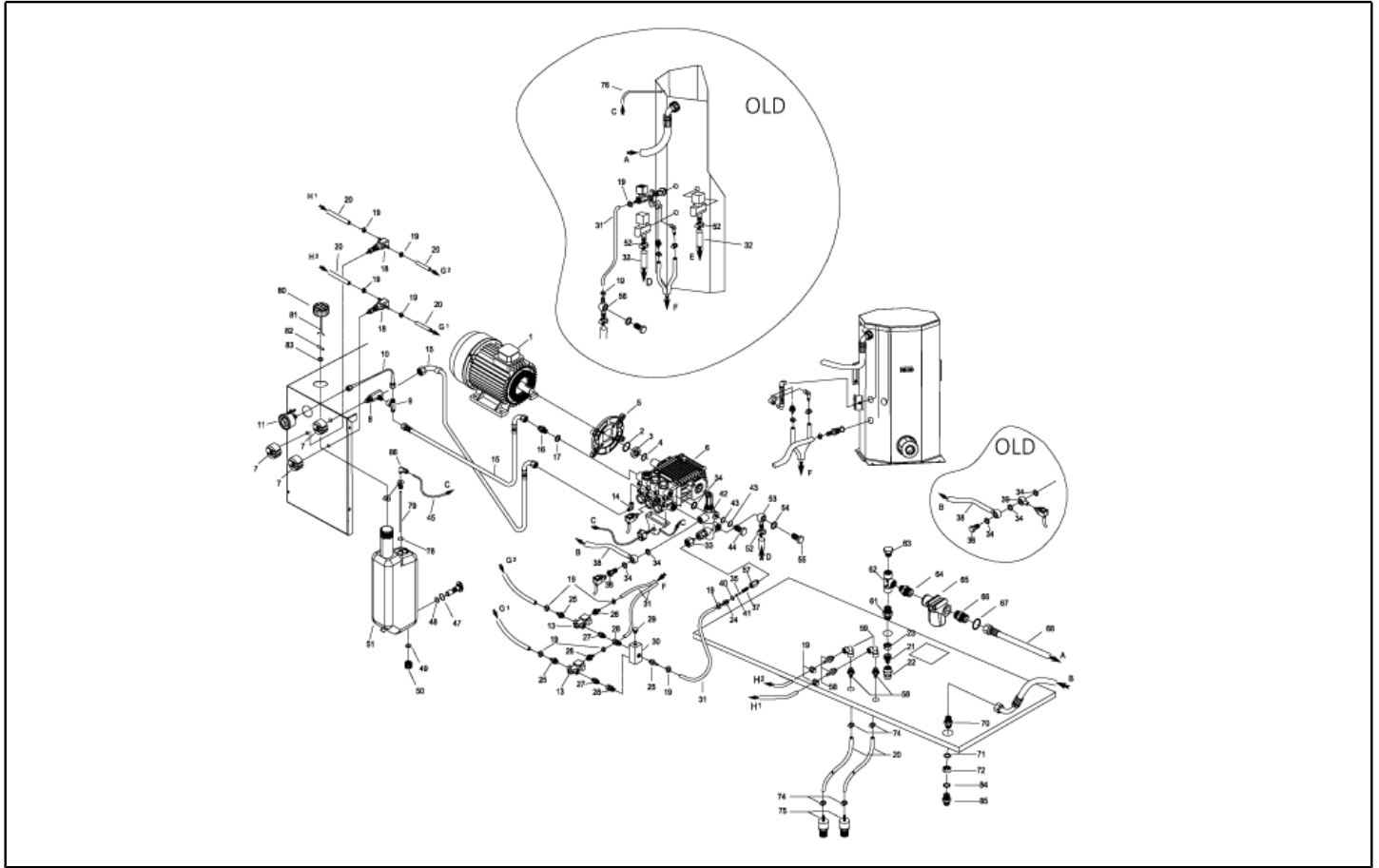
Ref. Part n.	Part n. 2	Description	Reference	Price
POT	KTRI40415	KIT P 20- 4 POT. VSH P11 PW-H	0038 0039 0040 0041 0042 POT	--



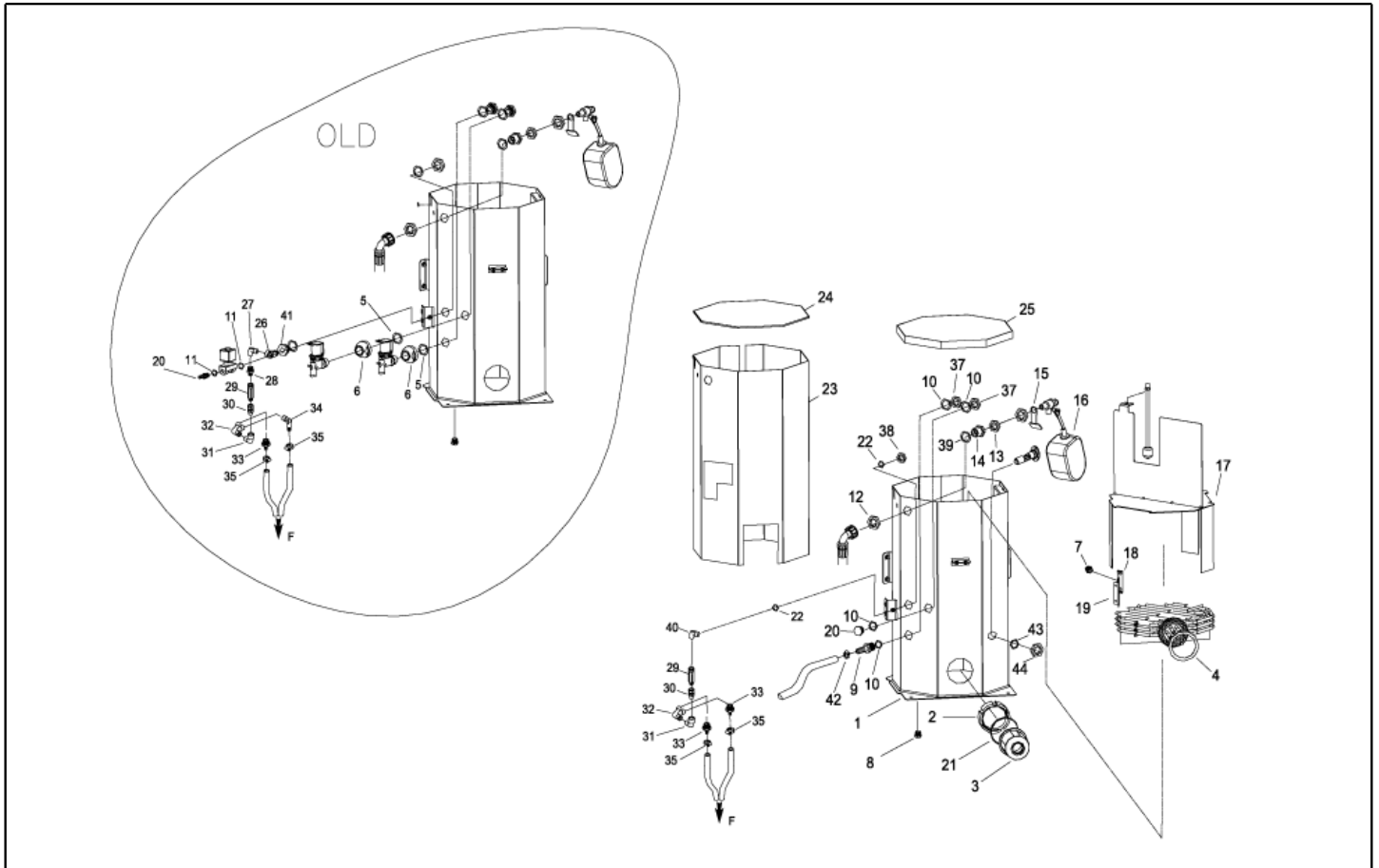
Ref. K	Part n.	Part n. 2	Description	Quantity	Validity		Price
					From	To	
0001	MOTR40033		3PH MOTOR AC HP 7.5 2/460-5/60 RR/K	1,00			--
0002	GUGO21339		O-RING D. 29.82 X 2.62 VIT 70SH	1,00			--
0003	RCDS25578		BUSHING IP WW141 OT.	1,00			--
0004	GUGO21337		O-RING D. 25.07 X 2.62 VIT 70SH	1,00			--
0005	MFVR21309		COUNTERFLANGE MEC 90-100-112	1,00			--
0006	PPAP40162		PUMP RRA 4G.30 SX N C/AC 70°	1,00			--
0007	MPVR40584		KNOB	3,00			--
0008	VVSF40022		PRESSURE VALVE D.1.3	1,00			--
0009	RCVR26495		CONNECTOR T 1/4 M/F/M A17	1,00			--
0010	TBAP40004		POLYAMIDE HOSE L=260 1/4 F-F	1,00			--
0011	MNMN49621		PRESSURE GAUGE 0-250 D.50 INOX	1,00			--
0013	MEEV14389		BODY 1/4"SCEM PM139LV	2,00			--
0014	RCVR62669		ELBOW 1/4M - 1/2M H.P.	1,00			--
0015	TBAP48180		HOSE-FITTING 1/4 R1 L=480 0-90° 1/4 F	2,00			--
0016	RCDS00608		NIPPLE 3/8 - 1/4 SV	1,00			--
0017	VTRS00548		WASHER D.17,5X23X1,5 (3/8)RM	1,00			--
0018	RCGR40025		DETERGENT TAP MB-SK 2x D. 4-6.5	2,00			--
0019	FSVR00427		CLAMP D. 12 CLIC 66-110	8,00			--
0019	FSVR00427		CLAMP D. 12 CLIC 66-110	6,00			--
0020	TBBP00051		DETERGENT HOSE D. 6-12	1,60			--
0020	TBBP00051		DETERGENT HOSE D. 6-12	0,60			--
0020	TBBP00051		DETERGENT HOSE D. 6-12	0,80			--
0020	TBBP00051		DETERGENT HOSE D. 6-12	2,00			--
0021	RCVR29602		CONNECTOR D. 1/2"-5/8" PTC	1,00			--
0022	RCVR29600		SOCKET PTC 3/4 F	1,00			--
0023	RCVR59738		LOCKNUT G 3/4	1,00			--
0024	RCDS10546		VALVE SEAT 1/4M + PG. D.3-7.5 OTT	1,00			--
0025	RCDS00626		HOSE FITTING 1/4 M D. 5- 7	3,00			--
0026	RCDS29082		HOSE FITTING 1/8 F D. 7 EL.KS 610	2,00			--
0027	RCDS00607		NIPPLE 1/4 - 1/4 SV	2,00			--
0028	RCVR00562		SWIVEL RACCORD 1/4 M/F	2,00			--
0029	RCDS01088		CAP 1/4X 9 M WW90	1,00			--
0030	RCDS48462		BLOCK 4V. 4X1/4F IWD-2V.	1,00			--
0031	TBCO06945		L.P. HOSE D. 6-12 10BAR C.PRESS	0,53			--
0031	TBCO06945		L.P. HOSE D. 6-12 10BAR C.PRESS	0,57			--
0031	TBCO06945		L.P. HOSE D. 6-12 10BAR C.PRESS	0,37			--
0031	TBCO06945		L.P. HOSE D. 6-12 10BAR C.PRESS	0,92		30/09/2020	--
0032	TBBP40019		L.P. HOSE D.15.8-24 EPDM 20 BAR	0,68			--
0032	TBBP40019		L.P. HOSE D.15.8-24 EPDM 20 BAR	0,65		30/09/2020	--
0033	RCVR02606		REDUCTION 1/2-1/4 M/F	1,00			--
0034	VTRS00548		WASHER D.17,5X23X1,5 (3/8)RM	1,00			--
0034	VTRS00248		WASHER 3/8 ZC + NBR 85SH	2,00	01/02/2024		--
0034	VTRS00548		WASHER D.17,5X23X1,5 (3/8)RM	3,00		31/01/2024	--
0035	SFVR04274		BALL D. 7/32	1,00			--



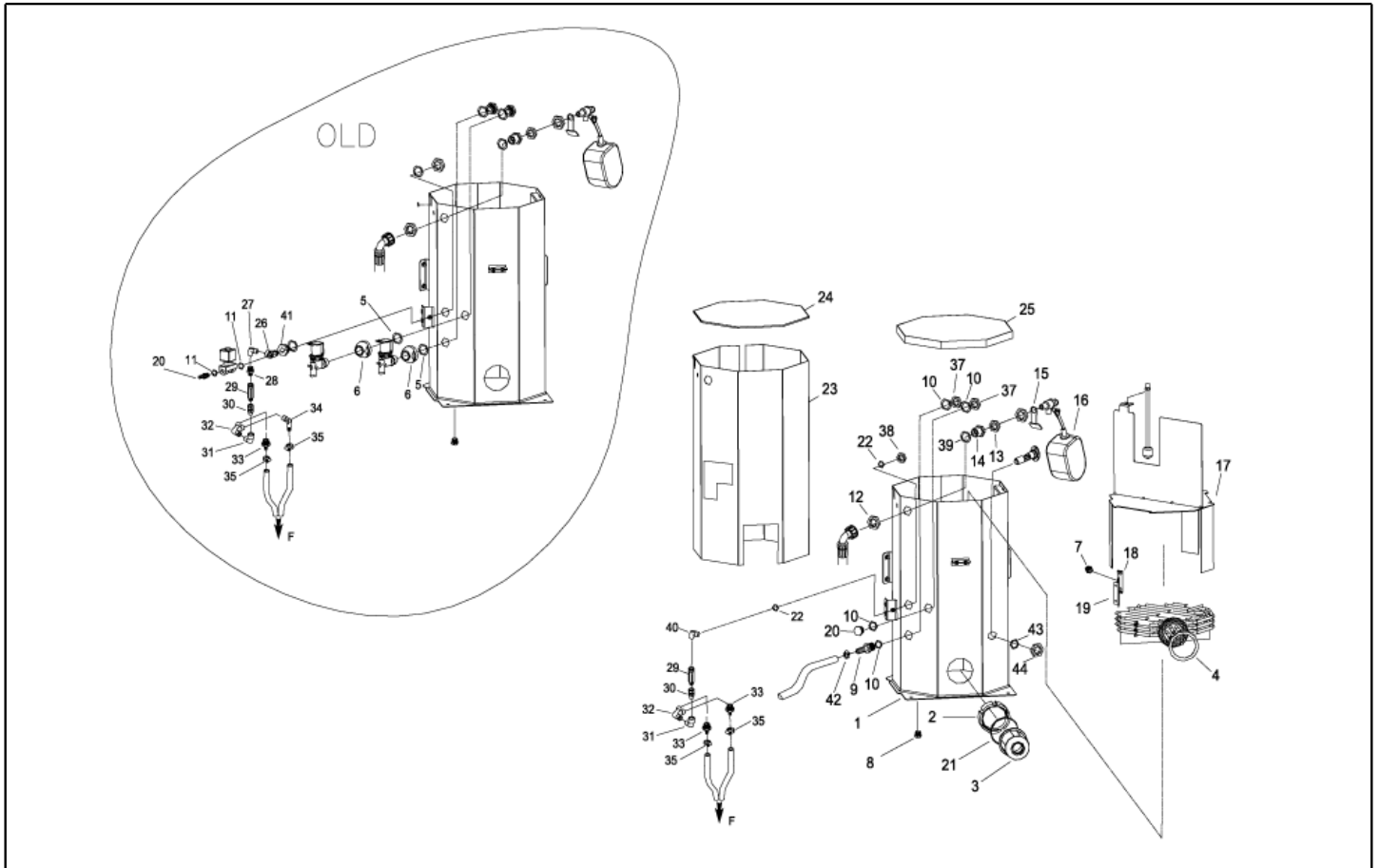
Ref. K	Part n.	Part n. 2	Description	Quantity	Validity		Price
					From	To	
0036	RCDS40148		SCREW G 3/8 - 1/4F L=36 ZC.	1,00	01/02/2024		--
0036	RCDS14384		SCREW G 3/8 VSP 180	1,00		31/01/2024	--
0037	MLML21505		SPRING D. 8 X5 X0.3	1,00			--
0038	TBAP40242		HOSE-FITTING 5/16 R1 3/8F90°-3/8O.35°	1,00			--
0039	RCDS40692		CONNECTOR O. 3/8 - G1/4F L=28.5	1,00		31/01/2024	--
0040	GUGO01036		O-RING D. 10.82 X 1.78 NBR 70SH	1,00			--
0041	GUGO01055		O-RING D. 5.28 X 1.78 VIT 70SH	1,00			--
0042	VVAZ40100		VALVE VRF-2 AR-R AC Vit.S/I.RG	1,00			--
0043	GUGO03510		O-RING D. 12.37 X 2.62 NBR 70SH	2,00			--
0044	RCDS40172		SCREW 3/8 VRF-2 OT 4F.	1,00			--
0045	TBBP00058		L.P. HOSE D. 4- 7	1,00			--
0046	RCDS40205		CONNECTOR H2O2 G1/8F +PG.7 PVC BK.	1,00			--
0047	GUGO01197		O-RING D. 22.22 X 2.62 NBR 70SH	1,00			--
0048	GUGO01056		O-RING D. 18.72 X 2.62 NBR 70SH	1,00			--
0049	GUGO11489		GASKET D.22X1,5	1,00			--
0050	PVVR11806		DISCHARGE CAP FLL	1,00			--
0051	MPVR40594		WATER TANK STM SG-50 PE	1,00			--
0052	FSVR00431		CLAMP D. 16-25	2,00			--
0053	RCDS40301		CONNECTOR O. 1/2 - 7.0-16 OT.	1,00	01/10/2020		--
0053	RCDS40304		CONNECTOR O. 1/2 - 8.0-16 OT.	1,00		30/09/2020	--
0054	VTRS00549		WASHER D.21,5X27X1.5 (1/2) RM	3,00			--
0055	RCDS40254		SCREW G 1/2 VRF-2 D.11.5 IX	1,00	01/10/2020		--
0055	RCDS40297		SCREW G 1/2 L=97 D.11.5 IX	1,00		30/09/2020	--
0056	RCDS08814		CONNECTOR O. 1/2 - 8-16+5-7	1,00		30/09/2020	--
0057	RCDS46072		VALVE BODY N/R 1/4F-1/4 P176 OT	1,00			--
0058	RCDS00626		HOSE FITTING 1/4 M D. 5- 7	4,00			--
0061	RCDS48469		NIPPLE 3/4 - 1/2 CB D.12.0	1,00			--
0062	RCVR00670		TEE UNION 1/2 F/F/F	1,00			--
0063	RCDS01091		CAP 1/2X10 M	1,00			--
0064	RCDS48179		NIPPLE 3/4 - 1/2 D.15 L.70 OT.	1,00			--
0065	FTAC40015		WATER FILTER 3/4 FF 100MS 55L/1 TC	1,00			--
0066	RCVR40006		NIPPLE 3/4 - 3/4 D.18 L=60 PPL	1,00			--
0067	GUGO01043		O-RING D. 25.07 X 2.62 NBR 70SH	1,00			--
0068	TBBP40151		L.P. HOSE L= 950 3/4F90°-3/4F 0°	1,00			--
0070	RCIN09348		MALE COUPLING 3/8MA L=32	1,00			--
0071	VTRS11876		WASHER D.27 X34 X1.5 (3/4)COPPER	1,00			--
0071	VTRS11876		WASHER D.27 X34 X1.5 (3/4)COPPER	5,00		30/09/2020	--
0072	RCVR59738		LOCKNUT G 3/4	1,00			--
0074	FSVR15255		CLAMP D. 8-12	2,00			--
0075	FTDT04648		FILTER PG. D.6 PLS	2,00			--
0076	TBBP85832		L.P. HOSE D. 5- 8	1,25			--
0078	GUGO28327		O-RING D. 7.51 X 3.53 NBR 70SH	1,00			--
0079	RCDS20136		SUCTION L= 355 C.	1,00			--
0080	MPVR40611		TANK CAP MHDS-SK BK. C/F.	1,00			--



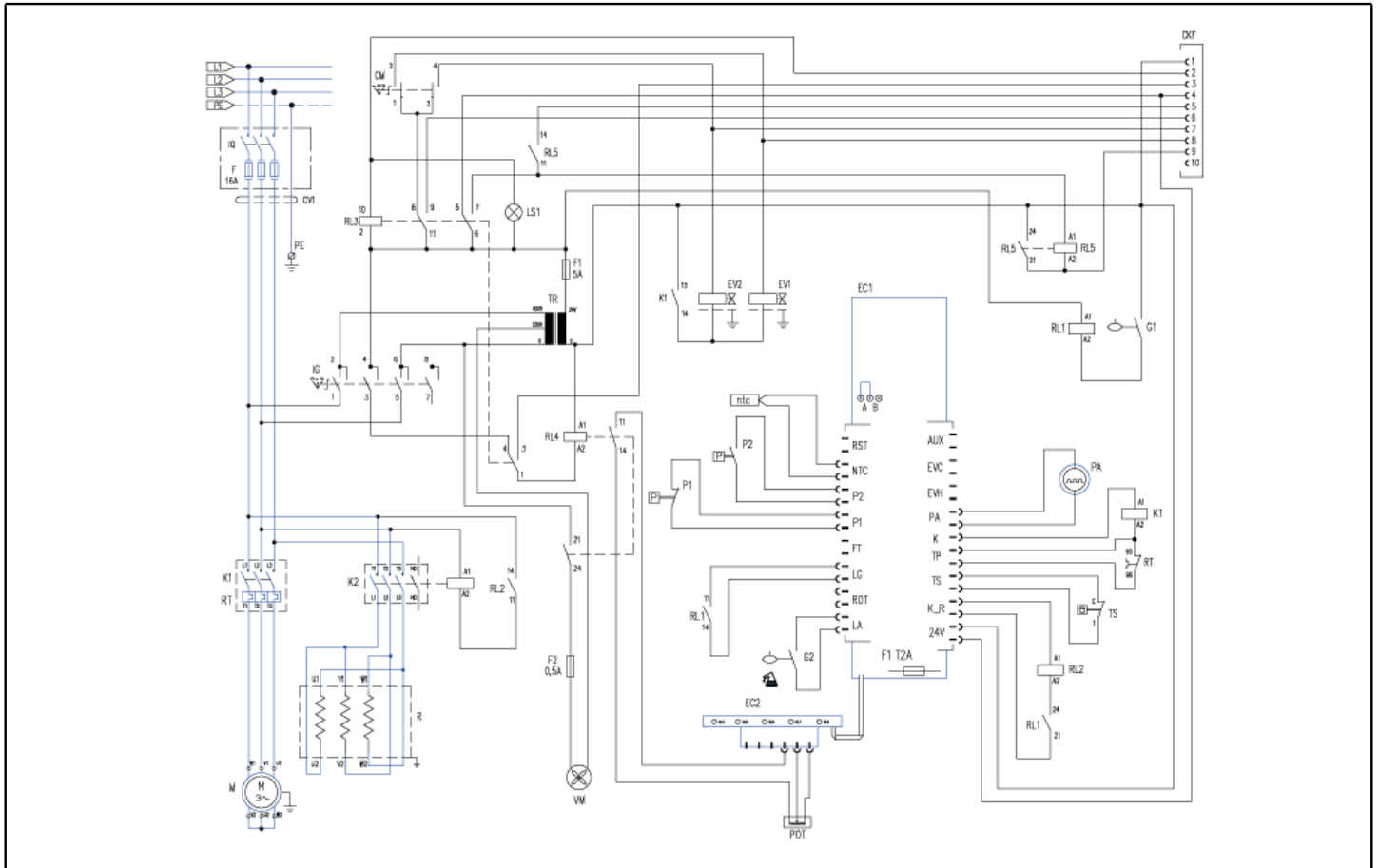
Ref. K	Part n.	Part n. 2	Description	Quantity	Validity		Price
					From	To	
0081	VTVR40026		SMALL CHAIN 13MG. INX L=220 G.V-MSC.	1,00			--
0082	LAFN40498		PIN D. 6 X 12-15 IX	1,00			--
0083	VTRS07728		WASHER D. 6 INX	1,00			--
0084	VTRS00548		WASHER D.17,5X23X1,5 (3/8)RM	1,00			--
0085	RCDS40298		SLEEVE 3/4-3/8 M-M/F OT.	1,00			--
0086	RCVR40212		CONNECTOR L 1/8" M CN D. 6/ 4 NIK	1,00			--



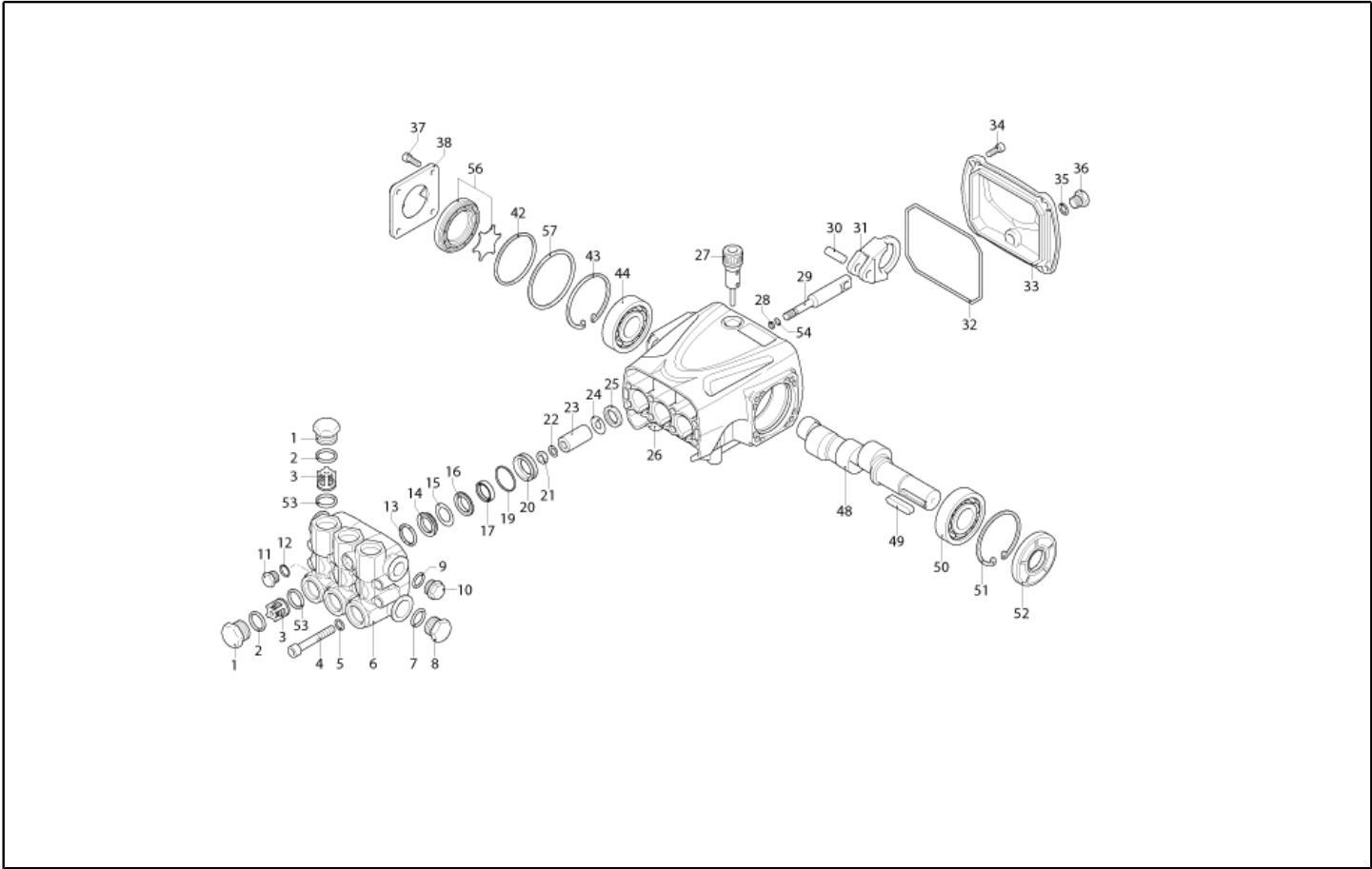
Ref. K	Part n.	Part n. 2	Description	Quantity	Validity		Price
					From	To	
0001	LAFN41135		CYLINDER PW-E100 INX.	1,00		14/02/2020	--
0001	LAFN41241		CYLINDER IWD-E INX.	1,00	15/02/2020	30/09/2020	--
0001	LAFN41283		CYLINDER IWD-E INX. 2V.	1,00	01/10/2020		--
0002	RCDS40292		RING NUT 2"1/2 CH.85 ZC.	1,00			--
0003	MPVR40991		CAP PW-E100 PA6	1,00			--
0004	GLVR40129		GASKET D.72,5X88 X3 PTFE/E	1,00			--
0005	GUGO01050		O-RING D. 32.93 X 3.53 NBR 70SH	2,00		30/09/2020	--
0006	RCDS40299		CONNECTOR EL.V. G3/4F D.49 L.28 PA6	2,00		30/09/2020	--
0007	MEVR40254		CONNECTOR G.1/4M D.6 TEF.	1,00			--
0008	RCVR40046		CAP 1/4 M OT.NIK EI D. 6	1,00			--
0009	RCVR73008		HOSE FITTING 1/2 D.17 454/A	1,00	01/10/2020		--
0010	VTRS00549		WASHER D.21,5X27X1.5 (1/2) RM	3,00	01/02/2021		--
0012	RCVR59738		LOCKNUT G 3/4	1,00	01/10/2020		--
0013	RCDS40105		LOCKNUT G 3/8 ES.19 SP.4 OT	1,00			--
0014	RCDS40291		RING NUT G 3/4 PW-E100 OT.	1,00			--
0015	LAFN41137		PANEL PW-E100 INX	1,00			--
0016	RCGR40023		TAP G 3/8M D.8 OT. E100	1,00	20/07/2019		--
0016	RCGR40021		BALL GL. 3/8 RM 100°C	1,00			--
0016	RCGR40020		TAP G 3/8M D.8 OT.	1,00		19/07/2019	--
0017	LAFN41132		BULKWARD PW-E100 IX	1,00			--
0018	LAFN41139		SUPPORT PW-E100 IX	1,00			--
0019	LAFN41140		BRACKET NTC PW-E100 IX	1,00			--
0020	RCDS03514		HOSE FITTING 3/8 M D. 5- 7	1,00		30/09/2020	--
0020	RCDS01091		CAP 1/2X10 M	1,00	01/02/2021	31/01/2022	--
0021	GUGO02261		O-RING D. 71.12 X 2.62 NBR 70SH	1,00			--
0022	VTRS04931		WASHER COPPER D.13X19X1.5	2,00	01/10/2020		--
0023	ITTE40014		PROTECTION PW-E100 CIL.	1,00			--
0024	ITTE40015		PROTECTION PW-E100 COP.	1,00			--
0025	LAFN41136		COVER PW-E100 IX	1,00			--
0026	RCVR40177		CONNECTOR T 3/8 M/M/O.NIK	1,00		30/09/2020	--
0027	RCVR00582		ELBOW 3/8" F A9	1,00		30/09/2020	--
0028	RCVR40188		NIPPLE 3/8 - 1/4 CN.NK.	1,00		31/01/2021	--
0029	FTAC40016		WATER FILTER 1/4 MF HP	1,00			--
0030	RCVR00562		SWIVEL RACCORD 1/4 M/F	1,00			--
0031	RCVR00581		ELBOW 1/4" F A9	1,00			--
0032	RCVR85245		CONNECTOR Y 1/4 F/M/F A24 NIK	1,00			--
0033	RCDS00626		HOSE FITTING 1/4 M D. 5- 7	1,00			--
0033	RCDS00626		HOSE FITTING 1/4 M D. 5- 7	1,00	01/02/2021		--
0034	RCVR72873		HOSE FITTING "L" 1/4M - D.7 OT.NK	1,00		30/09/2020	--
0035	FSVR00427		CLAMP D. 12 CLIC 66-110	2,00			--
0036	MEVR00244		FAIR-LEAD D. 7-12 PVC	2,00			--
0037	RCDS21223		RING NUT 1/2" X 5 NIK	1,00	01/02/2021		--
0038	RCDS40307		CAP 1/4X 9 M C/F.d.7	1,00	01/10/2020		--
0039	VTRS11876		WASHER D.27 X34 X1.5 (3/4)COPPER	1,00	01/10/2020		--



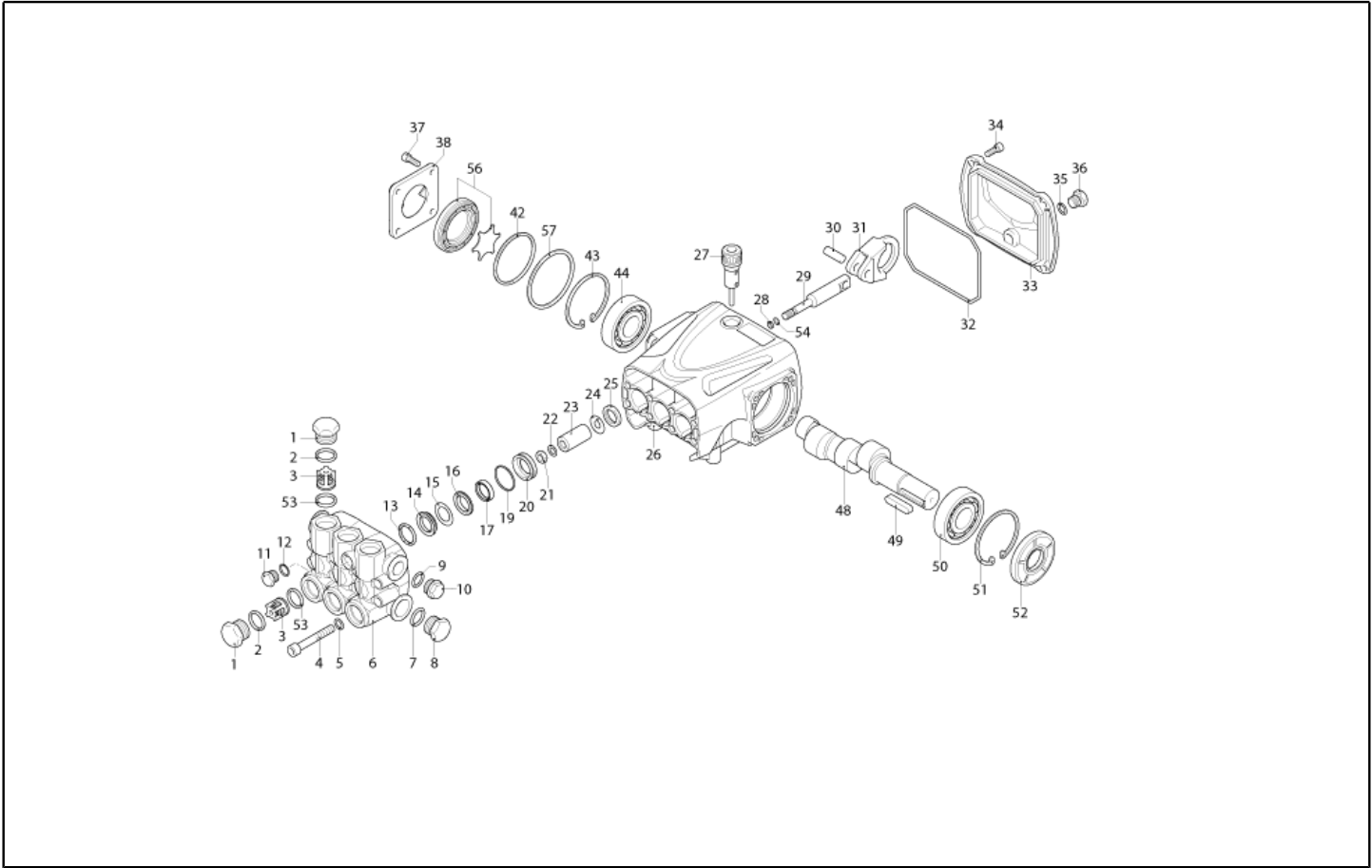
Ref. K	Part n.	Part n. 2	Description	Quantity	Validity		Price
					From	To	
0040	RCVR00573		ELBOW 1/4" M/F A10	1,00	01/10/2020		--
0041	RCVR40119		REDUCTION M/F 3/4"-3/8" A4	2,00		31/01/2021	--
0043	VTRS40027		WASHER 1/2 ZC + NBR 85SH	1,00	01/02/2022		--
0044	RCDS49875		RING NUT 1/2"X 6 CH.27 OT.	1,00	01/02/2022		--



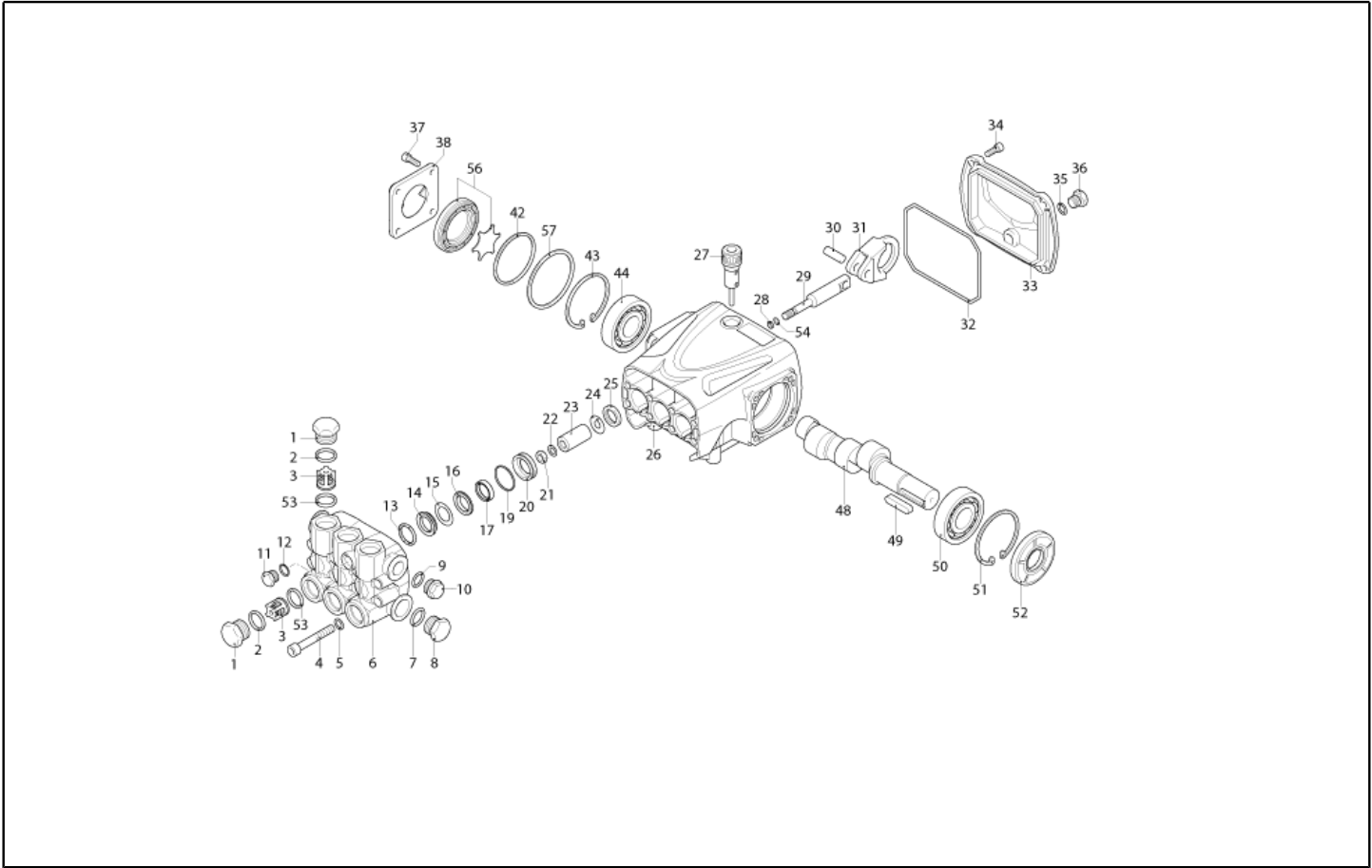
Ref. K	Part n.	Part n. 2	Description	Quantity	Validity		Price
					From	To	
R	MEVR40235		RESISTANCE 2.5*OT/IX. 33.0KW T 400V	1,00		30/04/2021	--
R	MEVR40309		RESISTANCE 2.5*OT/L.80 33.0KW T 400V	1,00	01/05/2021	31/01/2024	--
R	MEVR40345		RESISTANCE 2.5*OT/L.80 33.0KW 400+CB	1,00	01/02/2024		--
CM	MECI48382		COMMUTAT.SWITCH BRM 1-0-2 UNIP.12A CR012	1,00			--
F1	MEVR30498		FUSE 5X20 5 A	1,00			--
F2	MEVR09010		FUSE 5X20 0,5A	1,00			--
G1	MECI40055		SWITCH REED N.C. H210 IX	1,00		31/01/2022	--
G1	MECI49945		SENSOR LEVEL S1.PML.15NO-FST +G.1/2	1,00	01/02/2022		--
G2	MECI40006		SENSOR LEVEL S1.PML.XD.FPJ FST.	1,00			--
IG	MECI40017		COMMUTAT.SWITCH 0-1-2 UN.	1,00			--
K1	METT40010		CONTACTOR SIE 3RT 2017-1AB01 24V	1,00			--
K2	MECE40055		FILTER RC 3RT2926-1CE00 26A	1,00	01/02/2024		--
K2	METT40027		CONTACTOR SIE 3RT 2027-1AV00 400V	1,00	01/02/2024		--
K2	MECE40055		FILTER RC 3RT2926-1CE00 26A	2,00		31/01/2024	--
LS	MELF61944		LAMP D.10 24V ORN.	1,00			--
PA	MEPD25575		DESCALING PUMP NME-1 24V CPL.	1,00			--
RL	MERL40001		SWITCH RELAY FIND 40.52 2SC. 8A 24VAC	3,00			--
RL	MEVR40259		BASE FINDER 95.P5.spa	3,00			--
RT	METT40034		THERMAL RELAY SIE 3RU2116-1KB0 9-12.5A	1,00			--
TR	METR41580		TRANSFORMER 50VA 400-230/50V	1,00			--
TS	METK40023		THERMOSTAT 105°C TU F RM 20(5)A 250V	1,00			--
VM	VEVR40015		VENTILATOR 230V AC 80X80X38	1,00			--
CKF	MEVR35664		PROTECTION ILME 10P FIX	1,00			--
CKF	MEVR35662		SOCKET ILME 10P+T	1,00			--
CV1	MECB40435		CABLE N.589 H07 RNF 4X16 L.6.50	1,00			--
EC1	MECE40090		PCB PW-E100 TST+CO+VRT 5.2	1,00		30/09/2020	--
EC1	MECE40101		PCB IWD-E TSH+CO+VRT 2V.5.2	1,00	01/10/2020		--
EC2	MECE40089		PCB LED PW 5 GR. FLT/BLT	1,00			--
EV3	MEEV40021		SOLENOID VALVE PARK S.153 3/8F+KP07 230V	1,00		30/09/2020	--
NTC	MEVR40253		PROBE NTC/10K B2585 IP68	1,00			--
POT S	MEVR40149		POTENTIOMETER VSH P11S1V0FLSY 5/10K LN.	1,00			--
RL2	MERL40007		SWITCH RELAY FIND 40.31 1SC.12A 24VAC	1,00			--
RL2	MEVR40248		BASE FINDER 95.P3.spa	1,00			--
RL3	MERL06520		SWITCH RELAY FIND 24V CA 60.13U	1,00			--
RL3	MEVR06538		BASE FIND 90.23	1,00			--
EV12	MEBE29000		COIL SCEM ZB14-24V AC	2,00			--
EV45	MEEV40020		SOLENOID VALVE RPE 1V. 3/4M 24V DV21	2,00		30/09/2020	--
K1,2	METT40055		CONTACTOR SIE 3RT 2027-2AV00 400V	2,00		31/01/2024	--
P1,2	MEPF40052		PRESSURE SWITCH PR 5 1/4M 15BAR L.1300	2,00		03/07/2022	--
P1,2	MEPF40064		PRESSURE SWITCH PS2 G1/4M 15BAR	2,00	04/07/2022		--



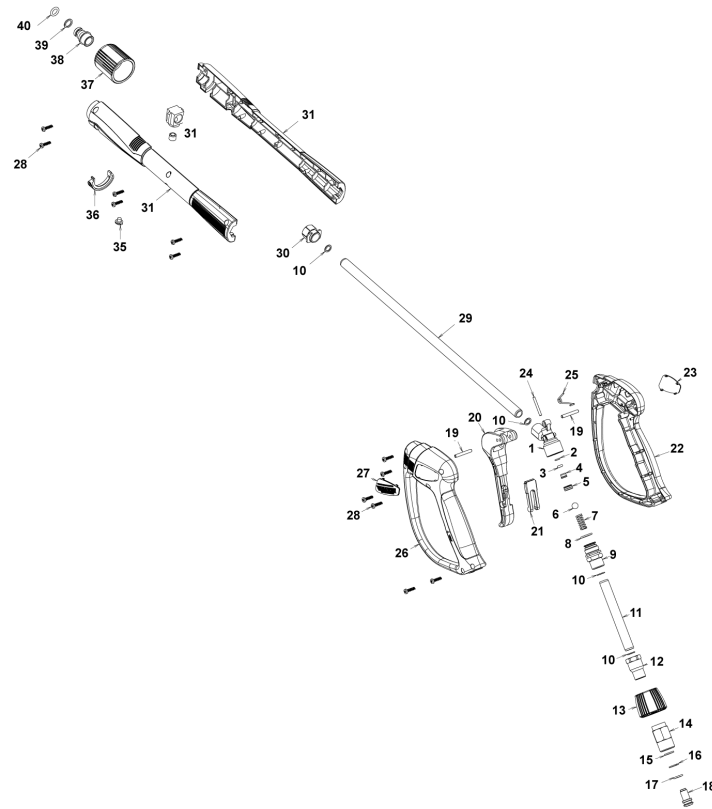
Ref. K	Part n.	Part n. 2	Description	Quantity	Validity		Price
					From	To	
0001	PVVR40161		CAP AR RR	6,00			--
0002	GUGO03502		O-RING D. 17.86 X 2.62 NBR 70SH	6,00			--
0003	S VVAM40003		VALVE UNIT RR	6,00			--
0004	VTVT63018		SCREW TCEI M 8X55 ZC U.5931	8,00			--
0005	VTRS14242		WASHER D. 8.4X13X0.8 UNI7064 SCH	8,00			--
0006	MFVR40028		HEAD AR RR OT.	1,00			--
0007	GUGO19245		O-RING D. 17.5 X 2 NBR 70SH	1,00			--
0008	PVVR40121		CAP 1/2 M RC	1,00			--
0009	GUGO09720		O-RING D. 14 X 1.78 NBR 70SH	1,00			--
0010	PVVR40099		CAP 3/8 M HRM	1,00			--
0011	PVVR40129		CAP 1/4 M RC	1,00			--
0012	GUGO01036		O-RING D. 10.82 X 1.78 NBR 70SH	1,00			--
0013	S PVVR40122		HEAD RING D. 18 RC	3,00			--
0014	S GUVR40119		PACKING D. 18 RC/70 H.P.	3,00			--
0015	S GUVR40043		ANTI-EXTR.RING D.18X28	3,00			--
0016	S PVVR40162		INTERMED. RING D. 18 RR	3,00			--
0017	S GUVR40120		PACKING D. 18 RC/70 L.P.	3,00			--
0019	S GUGO19290		O-RING D. 23.52 X 1.78 NBR 70SH	3,00			--
0020	S PVVR40163		PACKING RETAIN. D. 18 RR	3,00			--
0021	VTDD00483		NUT M 8 ZIN UNI 5588	3,00			--
0022	VTRS19394		WASHER D. 8X13X0.5	3,00			--
0023	S PIVR40007		PISTON D.18 RR	3,00			--
0024	PVVR19233		DISC XTS	3,00			--
0025	S GUGO09690		OIL SEAL 15X 24X 5 NBR70	3,00			--
0026	MFVR40030		PUMP CRANKCASE AR RR	1,00			--
0027	PVVR19231		OIL CAP XTS	1,00			--
0028	GUGO08071		O-RING D. 4.48 X 1.78 NBR 70SH	3,00			--
0029	PVVR40176		PISTON GUIDE RR	3,00			--
0030	PVVR40178		GUDGEON D. 9 RR	3,00			--
0031	BLVR40002		CONNECTING ROD RR	3,00			--
0032	GUGO40017		O-RING D. 107.62 X 2.62 NBR 70SH	1,00			--
0033	MFVR40029		CRANKCASE COVER AR RR	1,00			--
0034	VTVT09913		SCREW TCEI 6X16 UNI5931	4,00			--
0035	GUGO01036		O-RING D. 10.82 X 1.78 NBR 70SH	1,00			--
0036	PVVR40129		CAP 1/4 M RC	1,00			--
0037	VTVT09913		SCREW TCEI 6X16 UNI5931	4,00			--
0038	MFVR40021		CRANKCASE COVER AR RC LT.	1,00			--
0042	GUGO09030		O-RING 56X82 X2.62 - NBR	1,00			--
0043	VTAE10405		CIRCLIP D. 62 UNI 7437	1,00			--
0044	CUVR09654		BALL BEARING 6305	1,00			--
0048	ALMO40034		SHAFT AR RR 13LT VRS. N	1,00			--
0049	VTVR41531		KEY 8X 7X35 UNI 6604A	1,00			--
0050	CUVR09654		BALL BEARING 6305	1,00			--
0051	VTAE10405		CIRCLIP D. 62 UNI 7437	1,00			--



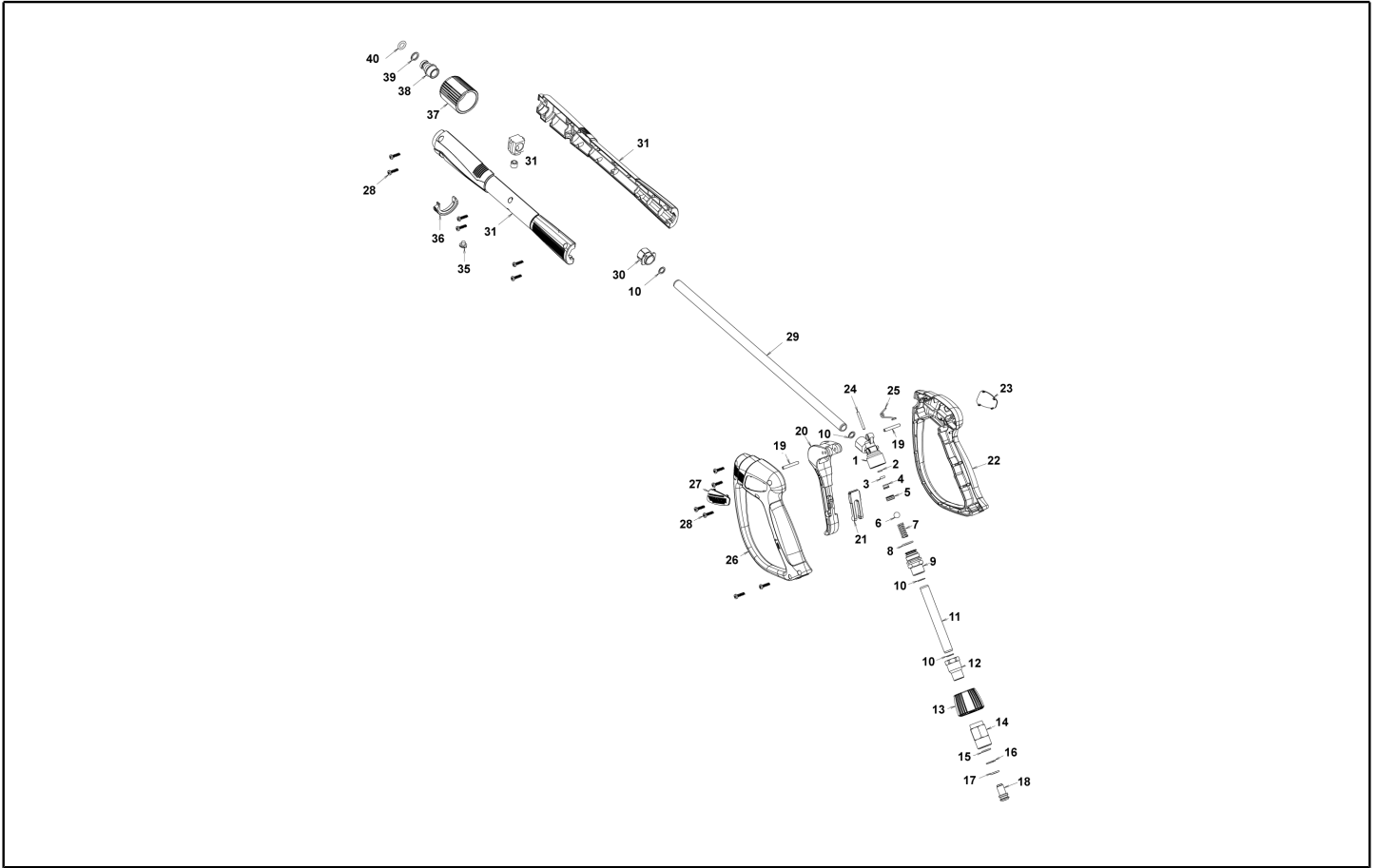
Ref. K	Part n.	Part n. 2	Description	Quantity	Validity		Price
					From	To	
0052	S	GUGO40018	OIL SEAL 25X 62X 8 NBR70	1,00			--
0053	S	GUGO02259	O-RING D. 15.54 X 2.62 NBR 70SH	6,00			--
0054		GUVR40044	ANTI-EXTR.RING D. 5 X 8 X1	3,00			--
0056		PVVR40473	OIL INDICATOR RR CPL.	1,00			--
0057		PVVR40566	RING D. 61.8 X57.8 X0.5	1,00			--



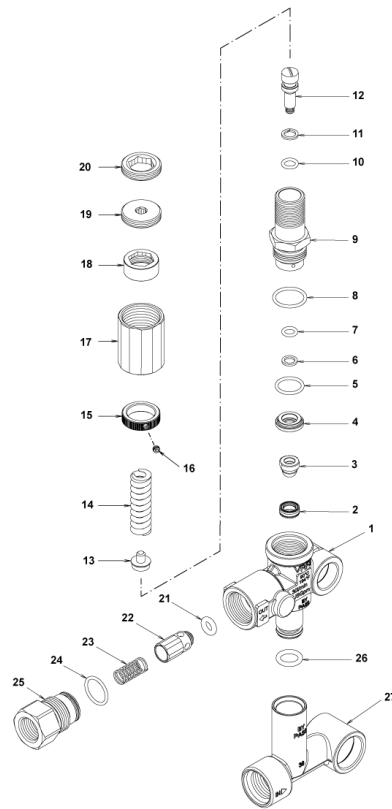
Ref. Part n.	Part n. 2	Description	Reference	Price
KTRI40095		KIT P 15-42903 D.18 RC	0013	--
KTRI40142		KIT P 15-42909 RR	0003 0053	--
KTRI40143		KIT P 15-42904 D.18 RR	0023	--
KTRI40144		KIT P 15-42922 RR	0025 0052	--
KTRI40336		KIT P 15-43193 AC.70°C D.18 RR	0013 0014 0016 0017 0019 0020	--



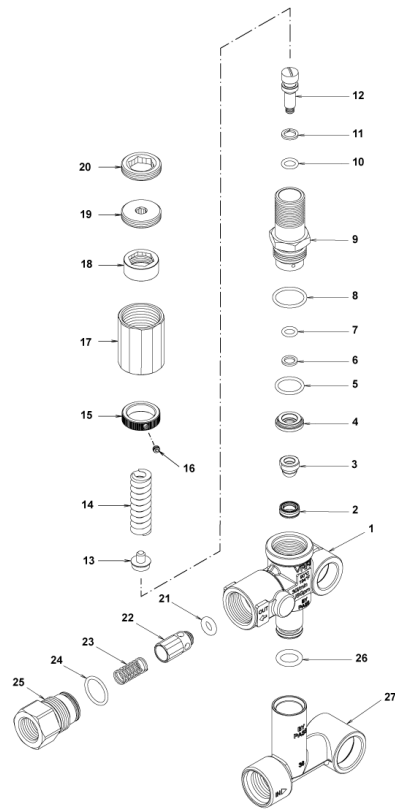
Ref. K	Part n.	Part n. 2	Description	Quantity	Validity		Price
					From	To	
0001	PVVR40381		GUN BODY G 5100 G1/4F	1,00			--
0002	S	GUVR40074	ANTI-EXTR.RING D. 3 X 7.4X1.3	1,00			--
0003	S	GUGO21835	O-RING D. 2.84 X 2.62 VIT. 80SH	1,00			--
0004	PVVR40382		PISTON GUIDE G 5100	1,00			--
0005	S	PVVR40563	BALL SEAT AL36 G6000 + OR	1,00			--
0006	S	SFVR40004	BALL D. 5/16" ALL.GR16	1,00			--
0007	S	MLML40047	SPRING D. 9.4 x23.5x1.6 G6000	1,00			--
0008		GUGO12322	O-RING D. 14 X 1.78 NBR 90SH	1,00			--
0009	PVVR40383		CONNECTOR COLL.G5100 1/4F	1,00			--
0010	VTRS40017		WASHER D. 8.2X11,4X1.00	4,00			--
0011	PVVR40384		TUBE G 1/4" L.105	1,00			--
0012	RCIN40022		CONNECTOR SWIV G5100 1/4F	1,00			--
0013	MPVR40967		RING NUT G 6000 SW. GR.	1,00			--
0014	RCIN40021		JOINT SWIV 5100 M22	1,00			--
0015	S	GUVR40075	ANTI-EXTR.RING D. 10 X14X1.5	1,00			--
0016	S	GUVR40076	ANTI-EXTR.RING D. 11.2X14X1.2	1,00			--
0017	S	GUGO15295	O-RING D. 10.82 X 1.78 VIT 75SH	1,00			--
0018	PVVR40386		SCREW SW. G 5100	1,00			--
0019	VTVR40047		PLUG D. 4X29	2,00			--
0020	MPVR40820		TRIGGER G 6000-SW	1,00			--
0021	MPVR40821		SAFETY-DEVICE G 6000-SW	1,00			--
0022	MPVR40822		SHELL G 6000-SW DX	1,00			--
0023	MPVR40968		PLATE G 6000/2 GR.DX	1,00			--
0024	S	PVVR40564	SMALL PISTON G 6000 AL36 SP.	1,00			--
0025	MLML40029		SPRING G 5100	1,00			--
0026	MPVR40824		SHELL G 6000-SW SX	1,00			--
0027	MPVR40825		PLATE G 6000 GR.SX	1,00			--
0028	VTVT40043		SCREW AF 4X 14 HILO ZN.N	12,00			--
0029	LCPR40181		TUBE 1/4 L=416 ZC. 0°	1,00			--
0030	MPVR40493		CONNECTOR G 5100-SW	1,00			--
0031	MPVR40494		PROTECTION P 420 C/AN.	1,00			--
0035	MPVR40198		CAP G 5000	1,00			--
0036	MPVR40495		CAP G 5100 REM.	1,00			--
0037	PVVR40119		CONNECTION M22X1,5 IRV G5000	1,00			--
0038	RCIN40048		GUDGEON G 1/4 F IRV G6000/2	1,00			--
0039	GUVR40034		ANTI-EXTR.RING D. 10 X14	1,00			--
0040	GUGO63555		O-RING D. 9.3 X 2,4 VIT 75SH	1,00			--



Ref. Part n.	Part n. 2	Description	Reference	Price
KTRI40243		KIT P 26- 26 SWIVEL G 5100	0015 0016 0017	--
KTRI40513		KIT P 26- 36 G 6000/II	0002 0003 0005 0006 0007 0024	--



Ref. K	Part n.	Part n. 2	Description	Quantity	Validity		Price
					From	To	
0001	PVVR40362		VALVE BODY VRF2	1,00			--
0002	S	PVVR40363	VALVE SEAT MV124 +OR	1,00			--
0003	S	PVVR40364	COUPLING MV124	1,00			--
0004	S	PVVR40365	SPACER MV124	1,00			--
0005	S	GUGO12322	O-RING D. 14 X 1.78 NBR 90SH	1,00			--
0006	S	GUVR40072	ANTI-EXTR.RING D. 6.5X 9.4	1,00			--
0007	S	GUGO10330	O-RING D. 6.07 X 1.78 VIT 70SH	1,00			--
0008	S	GUGO24913	O-RING D. 17.17 X 1.78 NBR 90SH	1,00			--
0009	S	PVVR40388	CONNECTOR VRF2 RG.165 56A	1,00			--
0010	S	GUGO03497	O-RING D. 6.75 X 1.78 VIT 80SH	1,00			--
0011	S	GUVR40073	ANTI-EXTR.RING D. 7.1X10 X1.2 TBT	1,00			--
0012	S	PVVR40367	SMALL PISTON D.10 VRF2	1,00			--
0013	S	PVVR40368	SPRING PLATE MV124 25B	1,00			--
0014	S	MLML47987	SPRING D. 3.25X41.1 MV 625	1,00			--
0015	S	PVVR40369	RING NUT MV167.09	1,00			--
0016	S	VTVT89696	SCREW EI-ST 4X 4 UNI5927 ZC	1,00			--
0017	S	PVVR47989	CAP MV 625 REG.	1,00			--
0018	S	PVVR47990	RING NUT MV 625 REG.	1,00			--
0019	S	PVVR47991	REGISTER MV 625 REG.	1,00			--
0020	S	PVVR47992	CLAMP MV 625 REG.	1,00			--
0021		GUGO27030	O-RING D. 6 X 3 VIT 70SH	1,00			--
0022		PVVR40349	COUPLING VRT3	1,00			--
0023		MLML40026	SPRING VRT3	1,00			--
0024		GUGO12321	O-RING D. 15.6 X 1.78 NBR 90SH	1,00			--
0025		PVVR40350	CONNECTOR VRT3 G 3/8F	1,00			--
0026		GUGO08606	O-RING D. 10.78 X 2.62 VIT 80SH	1,00			--
0027		PVVR40373	CONNECTOR VRF2.24	1,00			--



Ref. Part n.	Part n. 2	Description	Reference	Price
KTRI40530		KIT P 14-118 VRF2-HT	0002 0003 0004 0005 0006 0007 0008 0009 0010 0011 0012 0013 0014 0015 0016 0017 0018 0019 0020	--