

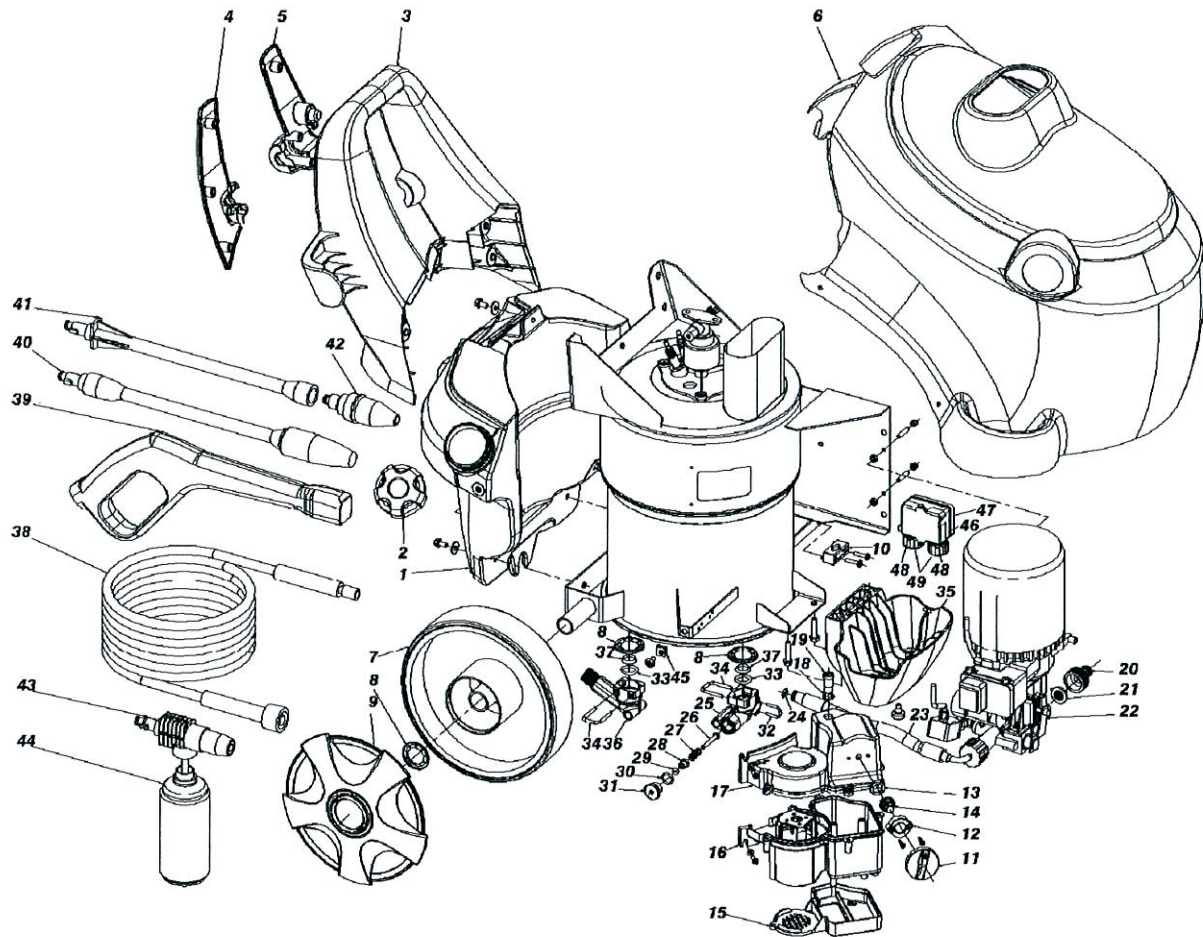


Spare Parts List

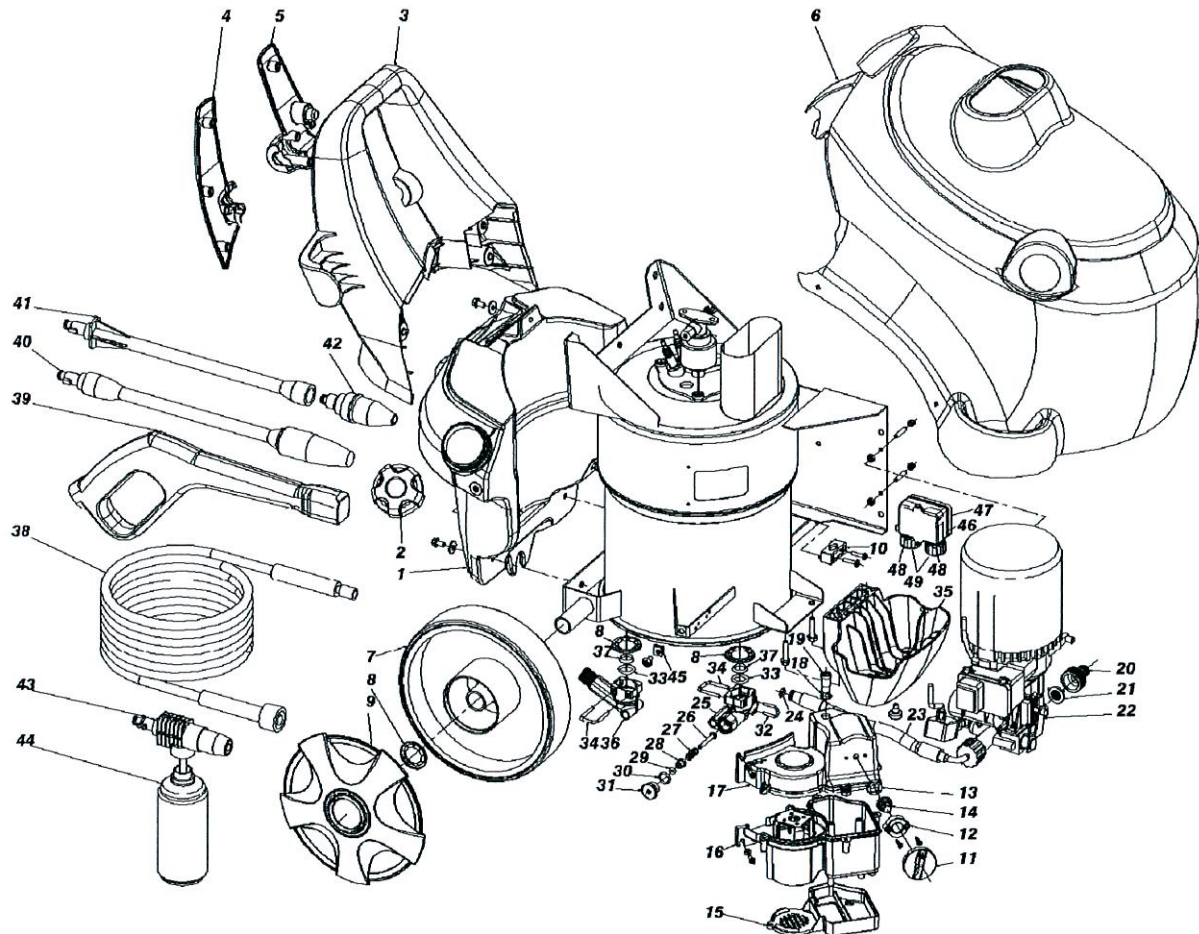
FOMA NORGE AS

Ref: IDAC49936

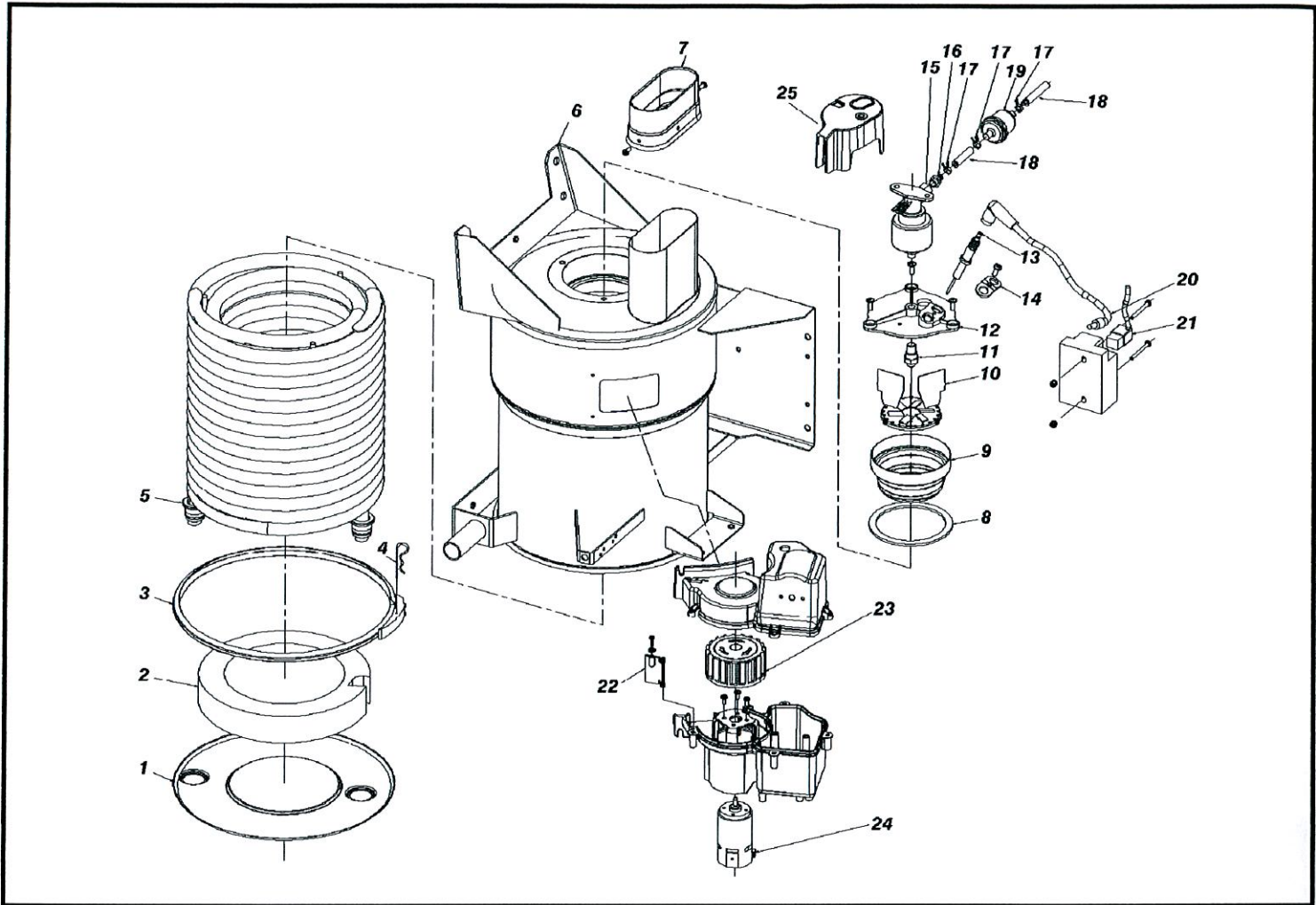
Model: IDROP HOT LINE DS 121 M 230/50 3-01IPC



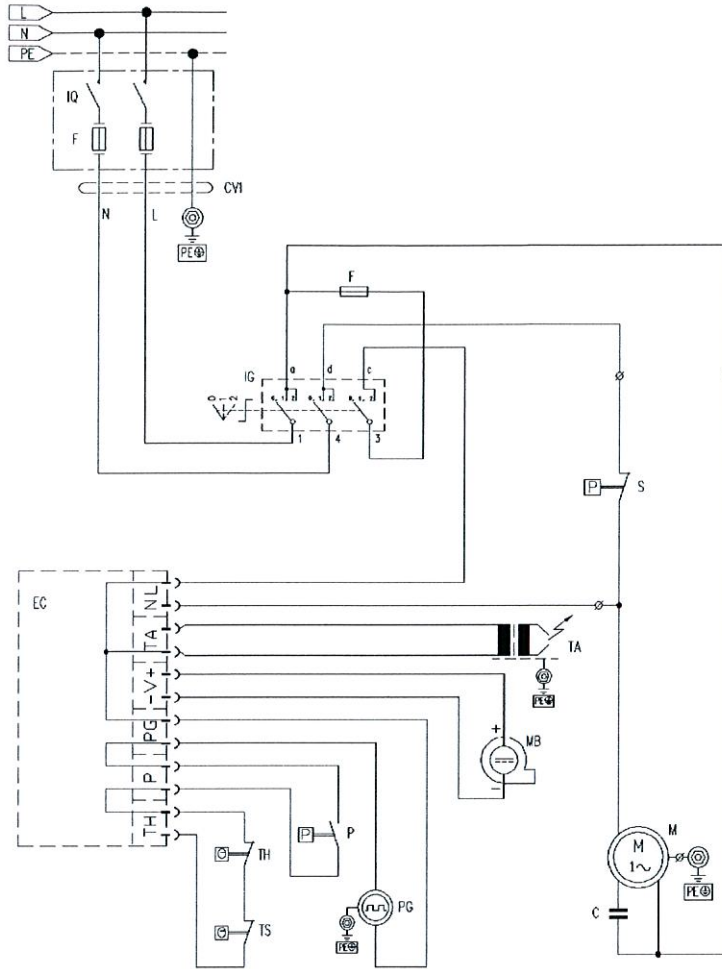
Ref. K	Part N.	Customer Part N.	Description	Qty	Validity:		Price
					From	To	
0001	MPVR87831		FUEL TANK P191 PEHD	1,00			--
0002	MPVR49673		TANK CAP P215 PEHD	1,00			--
0003	MPVR87830		HANDLE P191 PPL BK.	1,00			--
0004	MPVR87746		HOSE WIND.SUPP.P191 DX PP	1,00		04/2005	--
0005	MPVR87745		HOSE WIND.SUPP.P191 SX PP	1,00		04/2005	--
0006	MPVR87832		RED COVER P191 PP	1,00			--
0007	RTRT87839		WHEEL D.250-D.25X 53 RT-IPC	2,00			--
0008	VTRS09813		WASHER D.25	2,00			--
0009	MPVR87834		RED WHEEL COVER. 250 RT/P191	2,00			--
0010	MEVR20906		CABLE FASTNER KSM	1,00	07/2004		--
0010	MEVR87965		CABLE CLAMP PG 11 SPIR. BK.	1,00		04/2004	--
0011	MPVR87748		BLACK KNOB P191 PP	1,00			--
0012	MFVR19964		ELECTR.HOLDER KSM	1,00		10/2004	--
0012	MFVR88612		ELECTR.HOLDER KSM 1/8CN.	1,00	10/2004		--
0012	MPVR87752		THICKNESS INT. P191 PP	1,00			--
0013	GUGO23079		V-SEAL RING VA0014 13.5- 15.5	1,00			--
0014	MPVR87751		TAIL PIECE P191 INT. UE. PP	1,00			--
0015	MPVR87754		CABLE CLAMP COVP191 PP	1,00			--
0016	MPVR87743		CONTROL BOX P191 PP BK.	1,00			--
0017	MPVR87744		BOX COVER P191 PP BK.	1,00			--
0018	GUGO48319		GASKET D. 12.5-16.5X1 NBR	1,00			--
0019	MEVR27264		FUSE-HOLDER 031-1081	1,00			--
0020	RCVR29602		CONNECTOR D. 1/2"-5/8" PTC	1,00			--
0021	FDT60702		WATER FILTER H94 IP	1,00			--
0022	PPEL91006		MOTOR-DRIV.PUMPH121 DS 230/50 HOT	1,00			--
0023	TBAP87848		TUBE 1/4 RACC L=270 R1 P191	1,00			--
0024	GUGO01060		O-RING D. 9.92 X 2.62 NBR 70SH	1,00			--
0025	MFVR49976		CONNECTOR P191 AL. INL.	1,00			--
0026	RCDS87759		SMALL PISTON V.SC. P191 OT.	1,00			--
0027	MLML87845		SPRING D. 7.8 X21 D.2.0 INX	1,00			--
0028	MPVR87758		BUSHING V.SC. P191 POM	1,00			--
0029	GUGO37529		O-RING D. 5.23 X 2.62 NBR 70SH	1,00			--
0030	GUGO01054		O-RING D. 15.08 X 2.62 NBR 70SH	1,00			--
0031	RCDS87757		VALVE TAP P191 OT.	1,00			--
0033	GUGO36290		O-RING D. 17.04 X 3.53 NBR 70SH	2,00			--
0034	LAFN37625		PLUG "U" T-STOP PRM INX	1,00			--
0034	LAFN87846		PLUG "U" P191 INX	2,00			--
0035	MPVR87747		FOOT P191 PP BK.	1,00			--
0036	MFVR49975		CONNECTOR P191 AL. OUT.	1,00			--



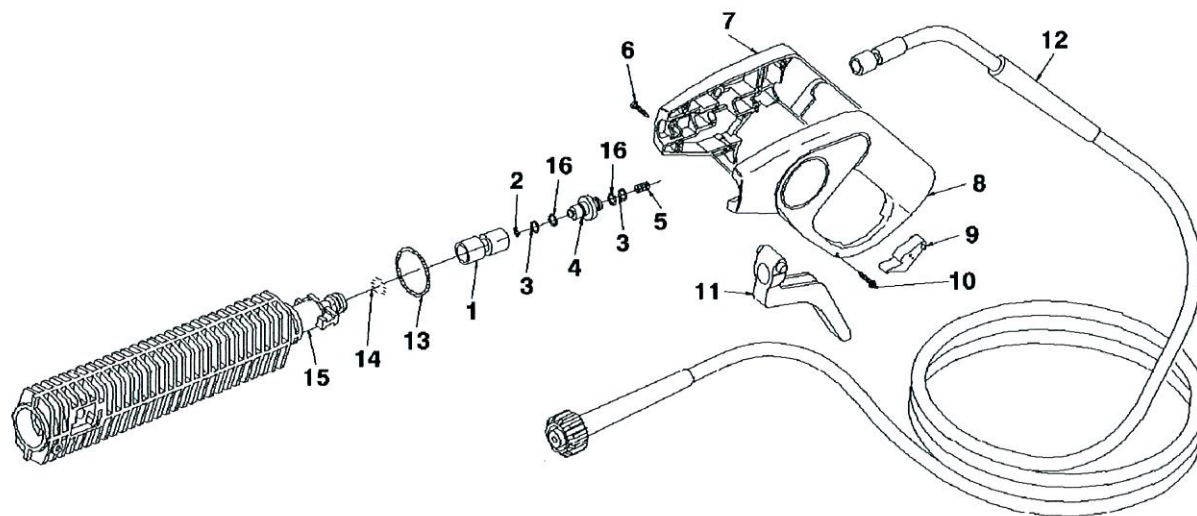
Ref. K	Part N.	Customer Part N.	Description	Qty	Validity:		Price
					From	To	
0037	GUVR21021		ANTI-EXTR.RING D. 21 X17 TEF.	2,00			--
0038	TBAP91011		H.P. HOSE 1/4 210B 8MT M22d14 SW	1,00		03/2004	--
0039	IPPR91454		GUN P2004 OT 150B S/TUBO	1,00		03/2004	--
0039	IPPR91545		GUN P2004 GM 8MT 150B OT H/L	1,00	03/2004	04/2005	--
0039	IPPR93237		GUN SW GM 8MT 150B OT H/L 14	1,00	04/2005		--
0040	LCTE91693		LANCE CMB P2004 1,15 90SH	1,00			--
0041	LCPR91704		EXTENSION LANCIA SW PL 140B 90SH	1,00			--
0042	LCTE81742		ROTATING HEAD TURBO 1,10 TR206	1,00			--
0043	LCPR83620		FOAM DEVICE SWING 96	1,00		06/2005	--
0043	LCPR90295		FOAM DEVICE SWING 96 CNA	1,00	06/2005		--
0044	MPVR60992		TANK 0,4 LT S/TPP	1,00		06/2005	--
0045	VTVR28636		PLATE M 6 ZNC.	2,00			--
0046	MPVR88198		SHELL P191 DRV. PA6 BK.	1,00	09/2004		--
0048	GUGO28327		O-RING D. 7.51 X 3.53 NBR 70SH	2,00	09/2004		--
0049	MPVR28326		WING NUT G1/2 HBX	2,00	09/2004		--



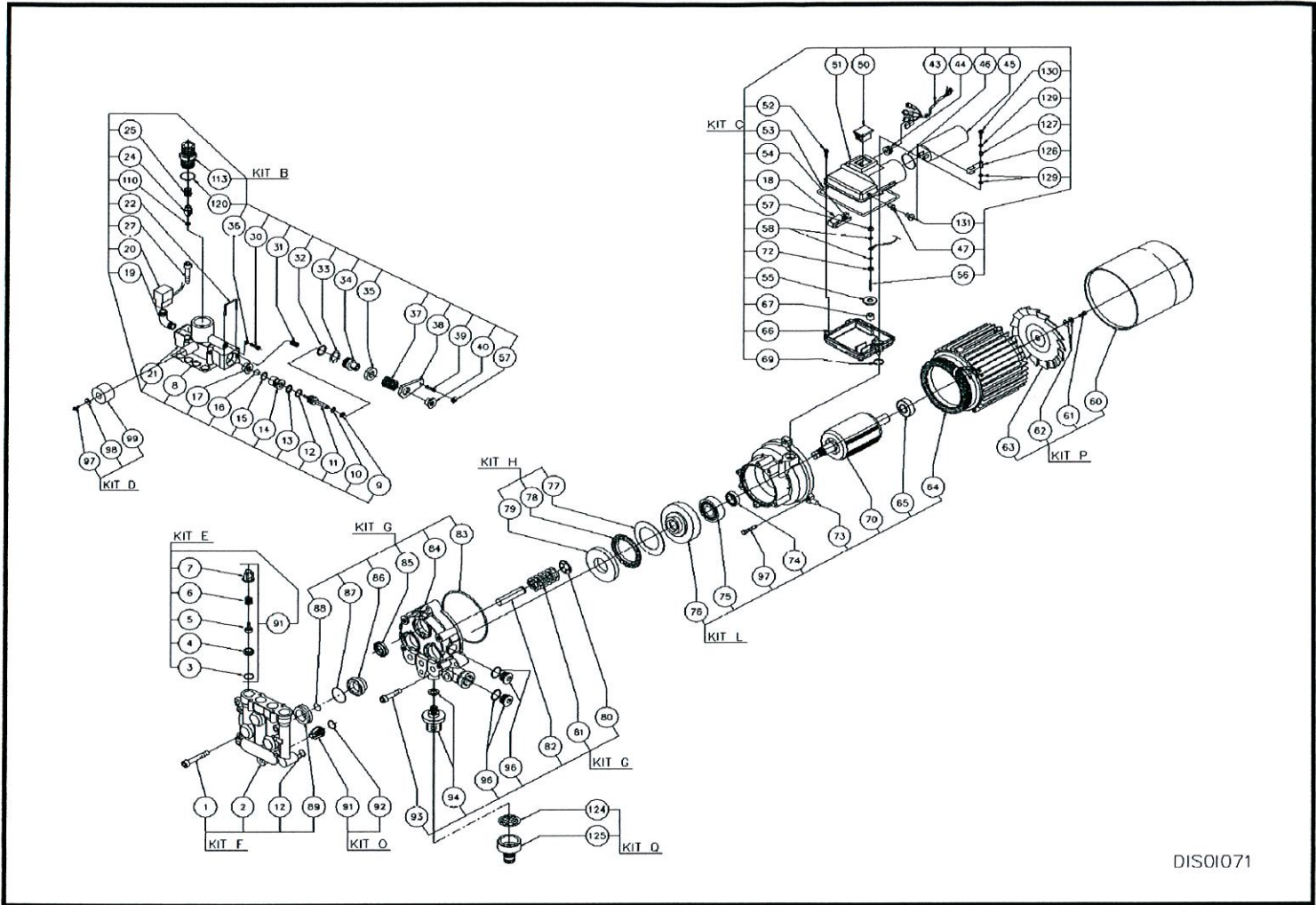
Ref. K	Part N.	Customer Part N.	Description	Qty	Validity:		Price
					From	To	
0001	LAFN87769		BOILER BOTTOM P191	1,00			--
0002	LAFN26524		BOTTOM F.CER. MTH	1,00			--
0003	LAFN27418		RING D.278 MTH	1,00			--
0004	VTVR47052		SPLIT PIN "R" D. 2 X 43 ZC	1,00			--
0005	LAGR87828		DOUBLE COIL P191 TD 18.5MT GRZ	1,00			--
0006	LAFN87659		BOILER BODY P191	1,00			--
0007	LAFN36603		CHIMNEY EXTENS.KSM H.45 INX	1,00		06/2005	--
0008	GUVR25775		GASKET D. 105/88 X 3	1,00			--
0009	LAFN20055		NOSEPIECE KSM	1,00			--
0010	LAFN20120		BAFFLE MTH	1,00			--
0011	UGBR28863		BURNER NOZZLE 0.50 60 S	1,00			--
0013	MECA18232		ELECTRODE L=101.5 KSM	2,00			--
0014	LAFN20123		PLATE KSM INX	1,00			--
0015	PPGS88271		FUEL PUMP MP45 SLRS 220V/0.50 15 RC	1,00		06/2005	--
0015	PPGS89286		FUEL PUMP VSC63 A5H 220V 0.50GH SD	1,00	06/2005		--
0016	RCDS21900		HOSE FITTING 1/8 M D. 3- 7	1,00			--
0017	FSVR72803		CLAMP D 9.3 - 9.9	1,00			--
0018	TBBP72695		TUBE PVC D. 5 -9 RED	0,29			--
0018	TBBP72695		TUBE PVC D. 5 -9 RED	0,29			--
0019	FTCO10912		FILTER D.7	1,00			--
0020	MECV87765		CABLE A.T. 22KOHM/M L= 340 P.	2,00			--
0021	MECB87766		CABLE BT L=800 SP.	1,00			--
0022	MPVR87753		BUTTERFLY VALVE P191 PP	1,00			--
0023	VEVR87749		IMPELLER P191 D. 75 20P. PA6	1,00			--
0024	MOMB87803		BURNER MOTOR MP43,5 230-50	1,00			--
0025	MPVR88317		SHELL P.GAS. TAIS PP BK.	1,00	07/2004		--



Ref. K	Part N.	Customer Part N.	Description	Qty	Validity:		Price
					From	To	
F	MEVR07043		FUSE 5X20 2A T	1,00			--
P	MEPF39741		PRESSURE SWITCHMTM 1/8M NA/NC 25B. MICRO	1,00			--
EC	MECE87755		PCB P191 T-ST. 230V 5/60HZ	1,00			--
IG	MECI87801		COMMUTAT.SWITCH0-1-2 16(8)A S.4RH	1,00			--
TA	METR87767		TRANSFORMER 22/240V-5/60HZ 2X12KV EL.	1,00			--
TH	METK87771		THERMOSTAT 70°C TG200 C.1,5	1,00			--
TS	METK49116		THERMOSTAT 60°C TG400 C.1,5 RIPR.	1,00			--
CV1	MECB88060		CABLE H07 RNF 3X1.5 L=6.500 SP.	1,00			--

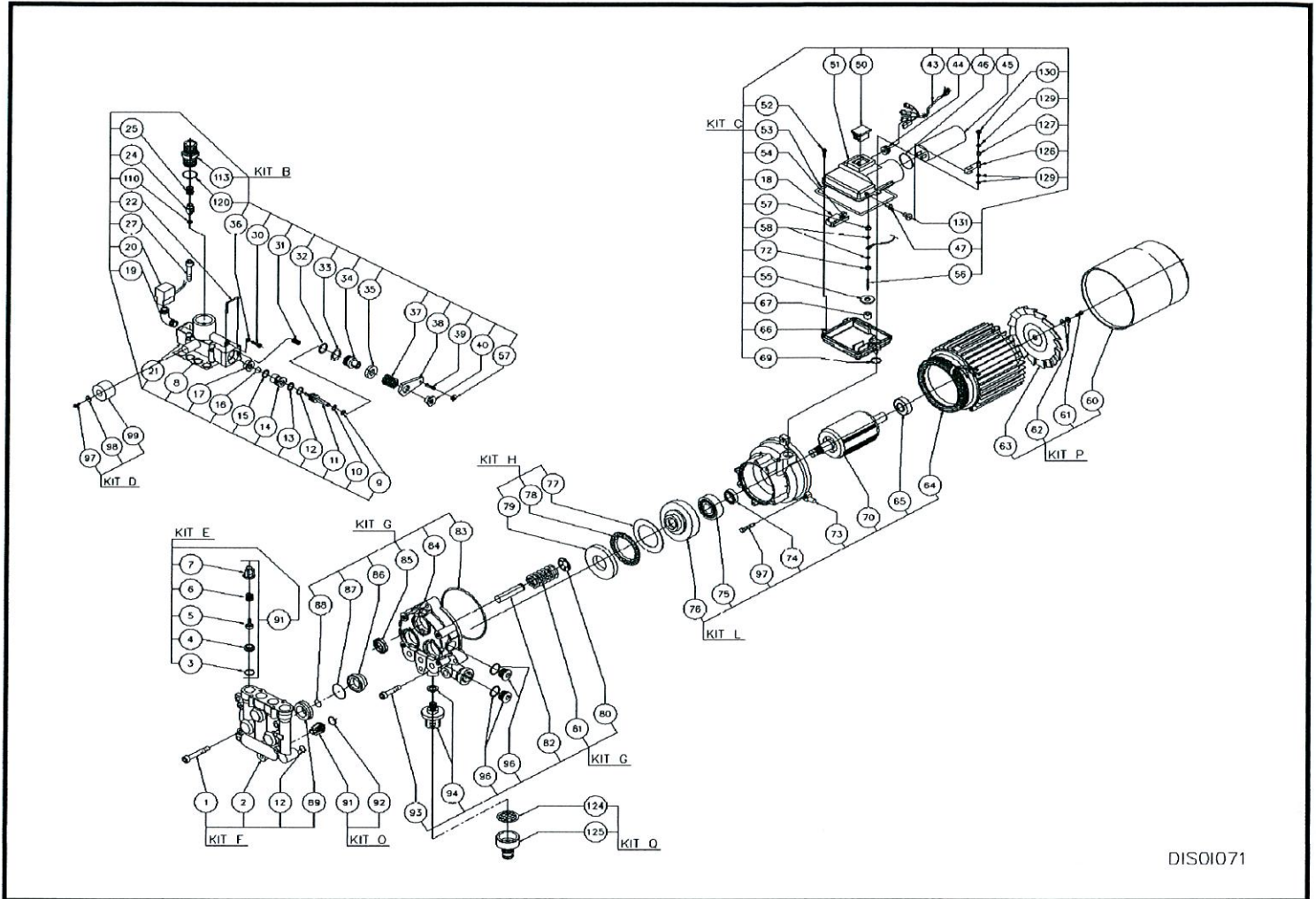


Ref. K	Part N.	Customer Part N.	Description	Qty	Validity:		Price
					From	To	
0001	PVVR59549		VALVE BODY PISTOLA SW 96	1,00			--
0002	GUGO63482		O-RING D. 3 X 2 NBR 90SH	1,00			--
0003	GUGO63426		O-RING D. 7.66 X 1.78 NBR 90SH	2,00			--
0004	PVVR93236		COUPLING SWING OT D.5 C/ANTIESTR.	1,00			--
0005	MLML59284		SPRING RICHIAMO LEVA PISTOLA	1,00			--
0006	VTVT62999		SCREW M3X20 TCCR ZN.P.LUNG.S/PU	6,00			--
0007	MPVR59980		HALF BEARING DX PIST.SW 97 UL	1,00			--
0008	MPVR59995		HALF BEARING SX PIST.SW 97 UL	1,00			--
0009	MPVR60289		ROD LEVA PISTOL.HOBBY NERO	1,00			--
0011	MPVR60478		LEVER PIST.LG SWING NERA UL	1,00			--
0012	TBAP93235		H.P. HOSE 1/4 210B 8MT M22d14 SW	1,00			--
0013	GUGO01942		O-RING D. 20.63 X 2.62 NBR 70SH	1,00			--
0014	GUGO88073		O-RING D. 7.60 X 2.62 NBR 90SH	1,00			--
0015	MPVR60266		EXTENSION X PIST/C.SW UL F7,5	1,00			--
0016	GUVR09753		ANTI-EXTR.RING D. 8 X11X1.5	2,00			--



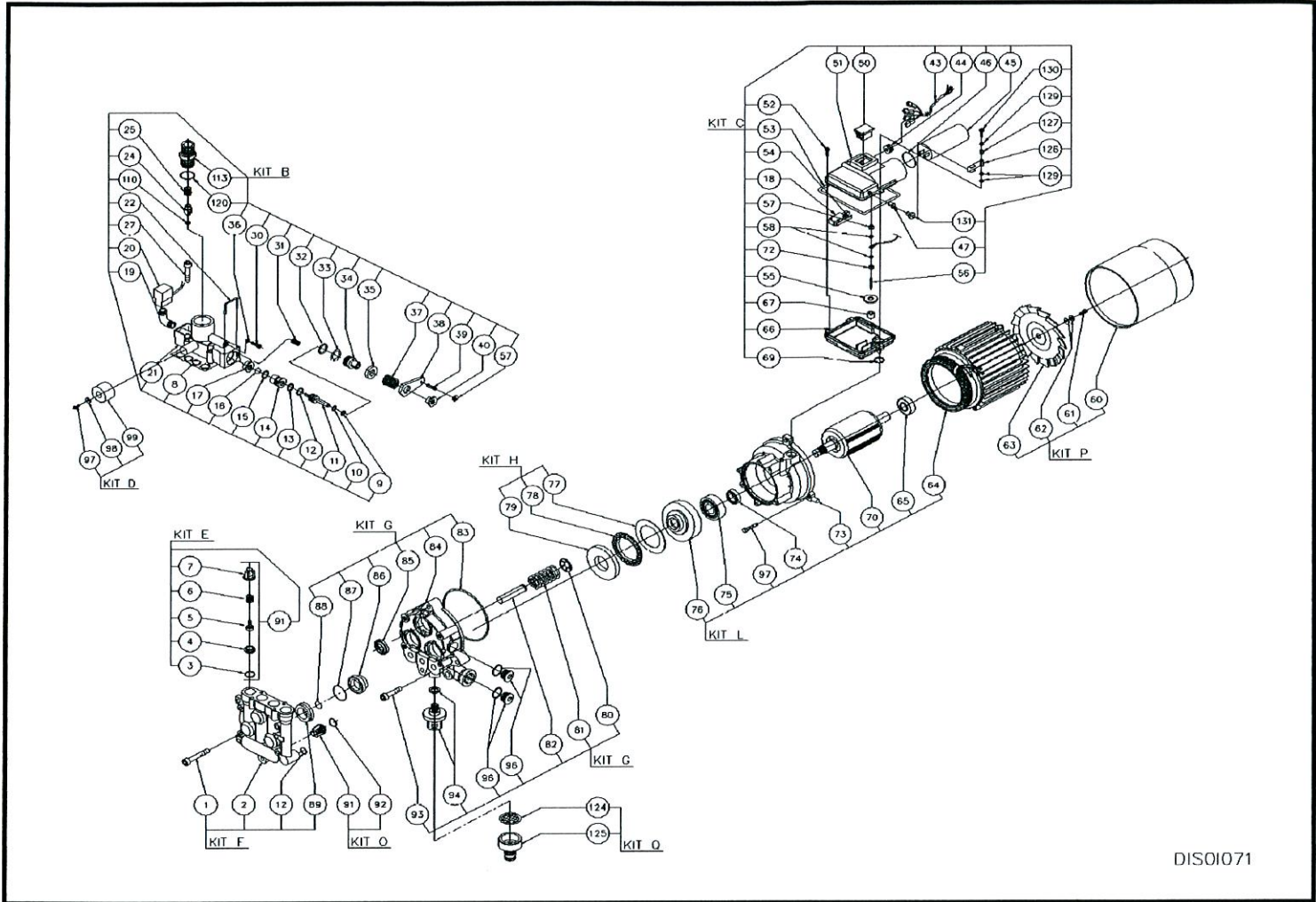
DIS01071

Ref.	K	Part N.	Customer Part N.	Description	Qty	Validity: From	To	Price
0001	E	VTVT63028		SCREW TCEI M 6X35	5,00			--
0002	E	MFVR40203		PUMP HEAD HOBBY 90 AL.	1,00			--
0003	E	GUGO21841		O-RING D. 12.42 X 1.78 NBR 90SH	3,00			--
0004	E	PVVR40191		VALVE SEAT "TH"	1,00			--
0005	E	PVVR40190		CAP A.700 INX	1,00	05/1997		--
0006	E	MLML40189		SPRING D. 5.5 "TH"	1,00			--
0007	E	PVVR40188		VALVE GUIDE "TH"	1,00			--
0008	E	GUGO40193		O-RING D. 15 X 2 NBR 70SH	4,00			--
0009	E	GUVR40170		ANTI-EXTR.RING D. 6 X 9	1,00			--
0010	E	GUGO12489		O-RING D. 6.07 X 1.78 NBR 70SH	1,00			--
0011	E	PVVR81242		CONTROL PISTON BY-PASS H90 OT S2	1,00			--
0012	E	GUGO63403		O-RING D. 8.73 X 1.78 NBR 70SH	2,00			--
0013	E	GUVR63570		ANTI-EXTR.RING D. 9 X12 X1.5 OR108	1,00			--
0014	E	PVVR81275		VALVE SEAT D. 5.6 B POL.	1,00			--
0015	E	GUGO03496		O-RING D. 9.25 X 1.78 NBR 70SH	1,00			--
0016	E	SFVR53318		BALL D. 7 AISI 420	1,00			--
0017	E	PVVR40167		CAP B12	1,00			--
0018	E	MEC180639		MICROSWITCH 20A F.S/L	1,00			--
0019	E	RCVR34780		ELBOW 1/8" M/F A10	1,00			--
0020	E	MEPF39741		PRESSURE SWITCHMTM 1/8M NA/NC 25B. MICRO	1,00			--
0021	E	MFVR91014		MANIFOLD AL H121 C/VT+F/MN FIN	1,00			--
0022	E	LAFN82147		PLUG ARR.CART BY-PASS BUR S2	1,00			--
0024	E	VVSF40182		VALVE H90 PLS	1,00			--
0025	E	MLML59254		SPRING D. 9.2 X10X0.8 AISI 302	1,00			--
0027	E	VTVT63025		SCREW TCEI M 5X30 UNI 5931 12.9	4,00	07/2002		--
0030	E	RCDS83749		SCREW CHIUSURA BY PASS M6	1,00			--
0031	E	MLML80000		SPRING D. 5.1 X19 X0.4 E/ST	1,00			--
0032	E	GUGO11652		O-RING D. 12.42 X 1.78 NBR 70SH	1,00			--
0033	E	GUGO09720		O-RING D. 14 X 1.78 NBR 70SH	1,00			--
0034	E	PVVR40164		VALVE BODY BY-PASS B	1,00			--
0035	E	LAFN58903		SPACER D.12 BY-PASS	1,00			--
0036	E	GUGO01062		O-RING D. 3.69 X 1.78 NBR 70SH	1,00			--
0037	E	MLML67104		SPRING 130 BAR D. 3.4	1,00			--
0038	E	LAFN58939		BLADE H 97	1,00			--
0039	E	VTVT63055		SCREW M 5X 16 EI-ST UNI 5923	1,00			--
0040	E	VTDD59240		NUT B	1,00			--
0043	E	MECB91021		CABLE HO5VV-F 4X HOT-LINE	1,00			--
0044	E	MEVR90388		FAIR-LEAD GOMMA 9/14/18-3	1,00	03/2004		--
0045	E	MECO61703		CAPACITOR 25 MF 450V D.45X93 2FST	1,00			--



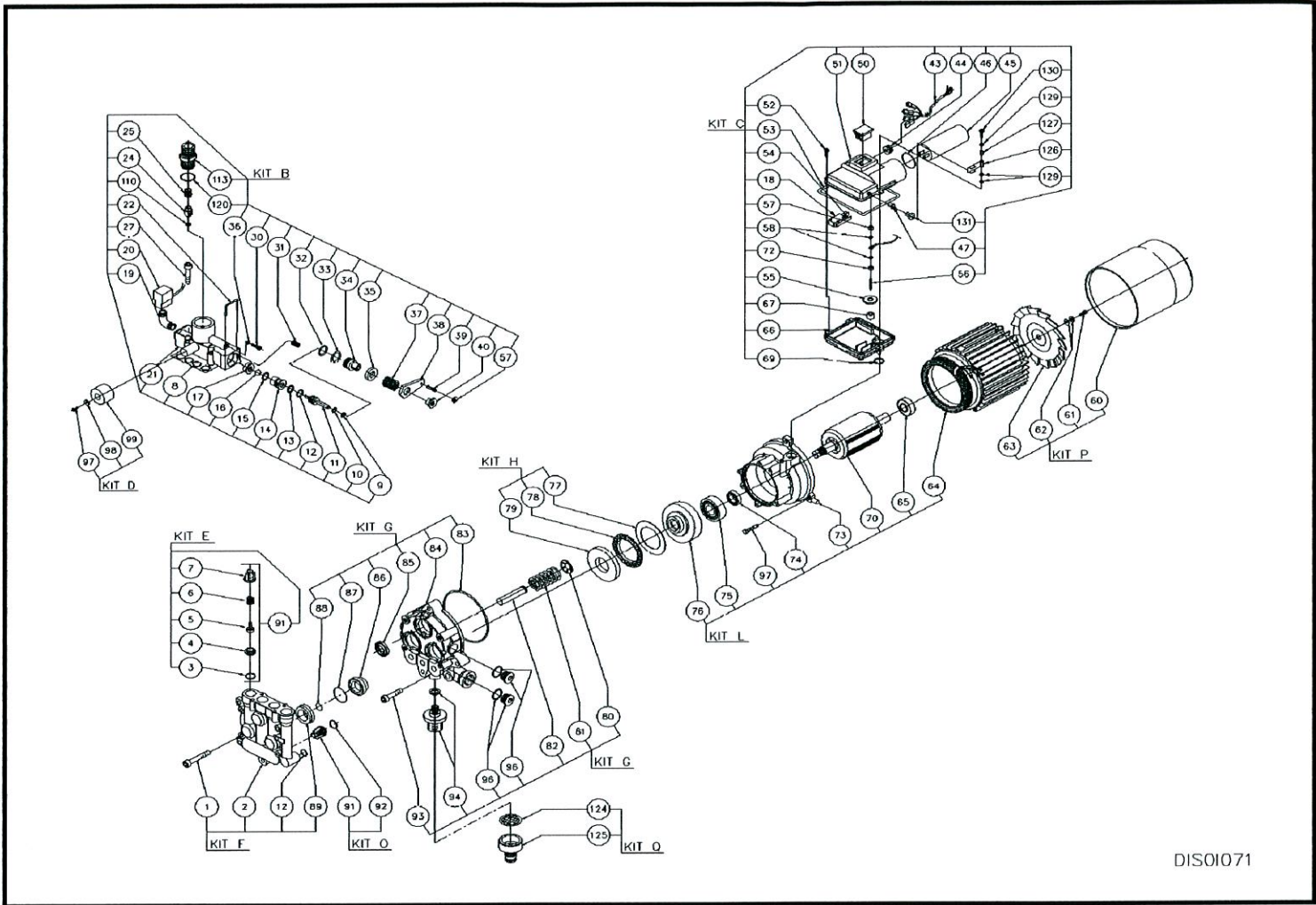
DIS01071

Ref.	K	Part N.	Customer Part N.	Description	Qty	Validity: From To	Price
0046	E	GUGO25526		O-RING D. 37.82 X 1.78 NBR 70SH	1,00		--
0047	E	MPVR41620		PROTECTOR S.T-STOP FP	1,00		--
0050	E	MPVR91022		BASE COVER INT. SIGN. 30X22	1,00		--
0051	E	MPVR81092		BOX COVER H120 /H130 S2 MD.	1,00		--
0052	E	VTVT01516		SCREW TCB TC 3.9X16	2,00		--
0053	E	GUVR82555		JOINT D. 4	0,45	03/2004	--
0054	E	LAFN41618		LAMINATION ONE JT.	1,00		--
0055	E	VTRS63242		WASHER D. 6 X24 ZC	1,00		--
0056	E	VTVT63061		SCREW M 5X 35 EI-ST UNI 5927	1,00		--
0057	E	VTDD01678		NUT M 5 UNI 5588	2,00		--
0058	E	VTRS63309		WASHER D. 5 UNI 8842	2,00		--
0060	E	MPVR91009		CONVEYOR H121 HOT-LINE	1,00	11/2002	--
0061	E	VTVT63023		SCREW TCEI M 5X12 ZC	1,00		--
0062	E	VTRS63276		WASHER D. 5 UNI 8836 EL.	2,00	03/1999	--
0063	E	VEVR40161		IMPELLER A.700 D.140	1,00		--
0064	E	MOST84271		EL.MOT. STATOR C125 X65 H80 230V 50HZ M6	1,00	11/2002	--
0065	E	CUVR53295		BALL BEARING 6003 2Z ZKL	1,00		--
0066	E	MPVR60093		BOX H130 S2 HOBBY	1,00	03/2004	--
0067	E	LAFN62762		SPACER D. 11 H. 7MM	1,00		--
0069	E	GUGO63500		O-RING D. 19 X 2 NBR 70SH	1,00	03/2004	--
0070	E	MORT67499		EL.MOT. ROTOR CPL 65 X20 H80 AL211 G6	1,00	10/1999	--
0072	E	VTDD63175		NUT M 5 FL.	1,00		--
0073	E	MFVR82389		SHIELD H130 S2 S/SP.	1,00	06/2001	--
0074	E	PVVR63537		OIL SEAL 17X 28X 7-NBR HOBBY 90	1,00		--
0075	E	CUVR53290		BEARING 6303 17X47X14	1,00	06/1999	--
0076	E	MFVR58074		CAP 10° HOBBY 90	1,00		--
0077	E	CUVR40153		FLANGE D. 40X60-1 AS4060	1,00		--
0078	E	CUVR40152		ROLLER BEARING AXK 4060	1,00		--
0079	E	CUVR40151		FLANGE D.60 H.90	1,00		--
0080	E	PVVR59101		RETAINER RING SW D.10,7/29,9	3,00		--
0081	E	MLML59285		SPRING 5 SP	3,00		--
0082	E	PIVR58598		PISTON D.12X62 SW	3,00	06/2001	--
0083	E	GUGO40199		O-RING D. 80.60 X 2.62 NBR 70SH	1,00		--
0084	E	MFVR84104		CRANKCASE 12 CT H3 PPF3/8G S/SP	1,00	12/2002	--
0085	E	PVVR63545		OIL SEAL 12X 22X 4/6 -NBR70	3,00		--
0086	E	PVVR83270		PACKING RETAIN.D. 12X 28 H13,7 S2	3,00	12/2001	--
0087	E	GUGO19290		O-RING D. 23.52 X 1.78 NBR 70SH	3,00	10/1994	--
0088	E	GUGO19194		O-RING D. 11.11 X 1.78 NBR 70SH	3,00		--
0089	E	PVVR63543		PACKING D. 12 X22 X5	3,00		--



DIS01071

Ref.	K	Part N.	Customer Part N.	Description	Qty	Validity:		Price
						From	To	
0091	E	VVAM41610		VALVE UNIT F 140/150 IP	6,00			--
0092	E	GUGO40192		O-RING D. 12 X 2 NBR 90SH	3,00			--
0093	E	VTVT01116		SCREW TCEI 6X30 UNI5931	3,00			--
0094	E	MPVR84857		INTAKE CONNECT.H121 3/8-3/4 LG +GUARN.	1,00	01/2003		--
0096	E	RCVR67288		OIL CAP 3/8+G TCNB-38	2,00			--
0097	E	VTVT90541		SCREW TCEI M 6X20 ATF TRIL.	4,00	02/2004		--
0098	E	VTRS63195		WASHER D. 6.4X16.3X1 UNI 1739/64	1,00	03/2004		--
0099	E	MPVR60544		FOOT H130 (D. 6)	1,00	03/2004		--
0110	E	GUGO40181		O-RING D. 5 X 2 NBR 90SH	1,00			--
0113	E	MFVR58336		NIPPLE A.300 AL	1,00			--
0120	E	GUGO40193		O-RING D. 15 X 2 NBR 70SH	1,00			--
0124	E	GUVR63631		GASKET C/FILTRO 24X15X3,5	1,00			--
0125	E	RCVR62752		SOCKET 3433 BK	1,00			--
0126	E	LAFN82461		TRIGGER MICRO TS	1,00			--
0127	E	RCDS82462		BUSHING LEVA COMANDO MICRO	1,00			--
0129	E	VTRS63230		WASHER D. 4 X12	3,00			--
0130	E	VTVT63001		SCREW TRU TC CR. 4 X30 ZINC.	1,00			--
0131	E	MPVR60607		GUDGEON MICRO 5X11,5 PL	1,00			--



DIS01071

Ref. Part N.	Cust. Part N.	Description	Reference	Price
K B	KTRI91858	MANIFOLD KIT F 14-008 H/L-121	0008 0009 0010 0011 0012 0013 0014 0015 0016 0017 0019 0020 0021 0022 0024 0025 0027 0030 0031 0032 0033 0034 0035 0036 0037 0038 0039 0040 0057 0110 0113 0120	--
K C	KTRI91864	CONTROL BOARD KIT F 37-029 H121 H/L(2P)	0018 0043 0044 0045 0046 0050 0051 0052 0053 0054 0055 0057 0058 0066 0067 0069 0072 0126 0127 0129 0130	--
K D	KTRI82831	FOOT KIT 570 (5 PZ)	0097 0098 0099	--
K E	KTRI82808	SMALL VALVE KIT 558 (30 PZ)	0003 0004 0005 0006 0007 0091	--
K F	KTRI82809	HEAD KIT 559 (5 PZ)	0001 0002 0012 0089	--
K G	KTRI82832	CRANKCASE KIT 571 (5 PZ)	0080 0081 0082 0083 0084 0085 0086 0087 0088 0093 0094 0096	--
K H	KTRI82812	ROLLER BEAR.DISKIT 562 (10 PZ)	0077 0078 0079	--
K L	KTRI83598	MOTOR KIT 692 H120 230/50(1 PZ)	0064 0065 0070 0073 0074 0075 0076 0097	--
K O	KTRI83170	SMALL VALVE KIT 613 (30 PZ)	0091 0092	--
K P	KTRI91862	CONVEYOR KIT F 24-021 H/L-121	0060 0061 0062 0063	--
K Q	KTRI82810	QUICK SOCKET KIT 560 (20 PZ)	0124 0125	--