

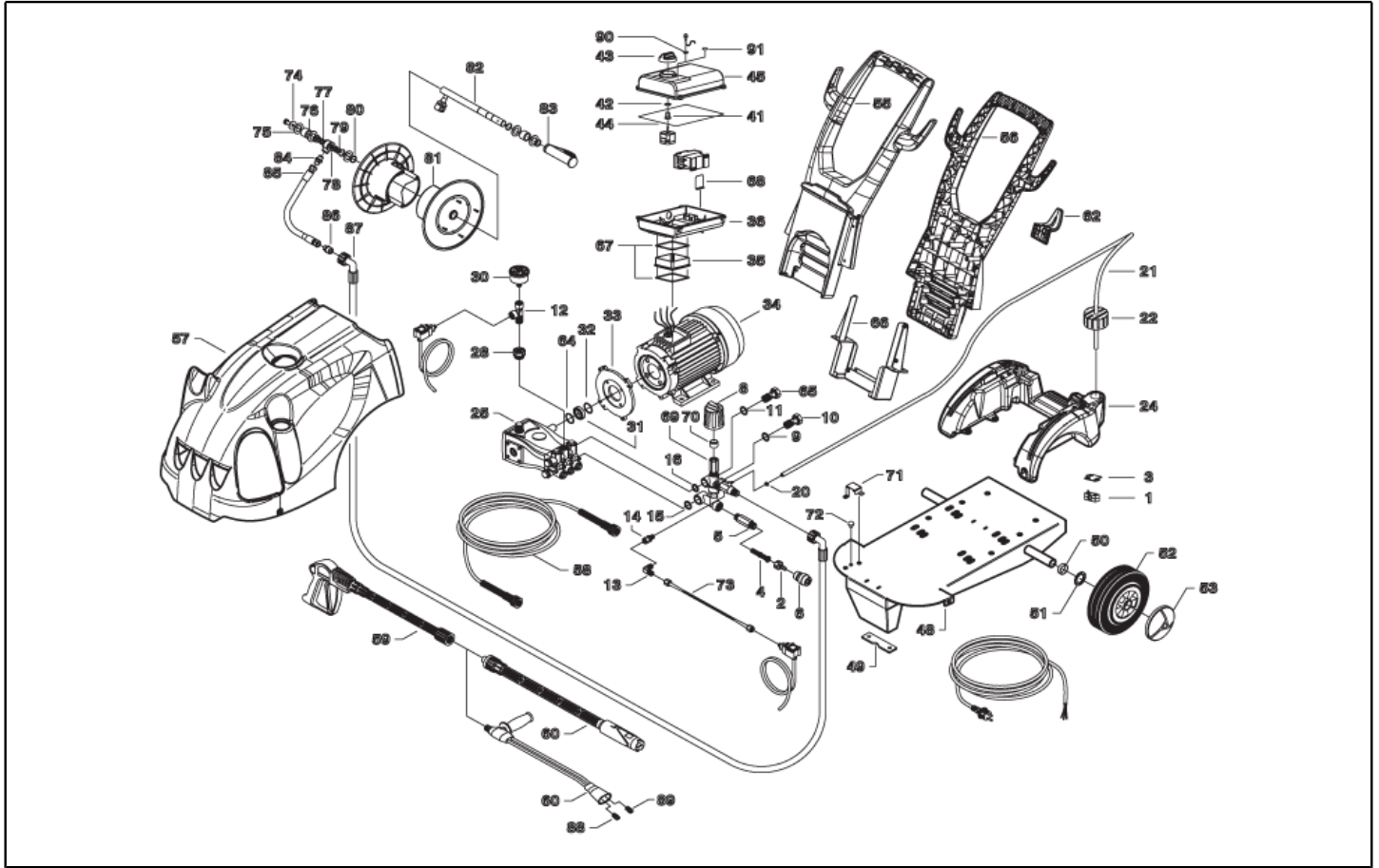


**IPC**

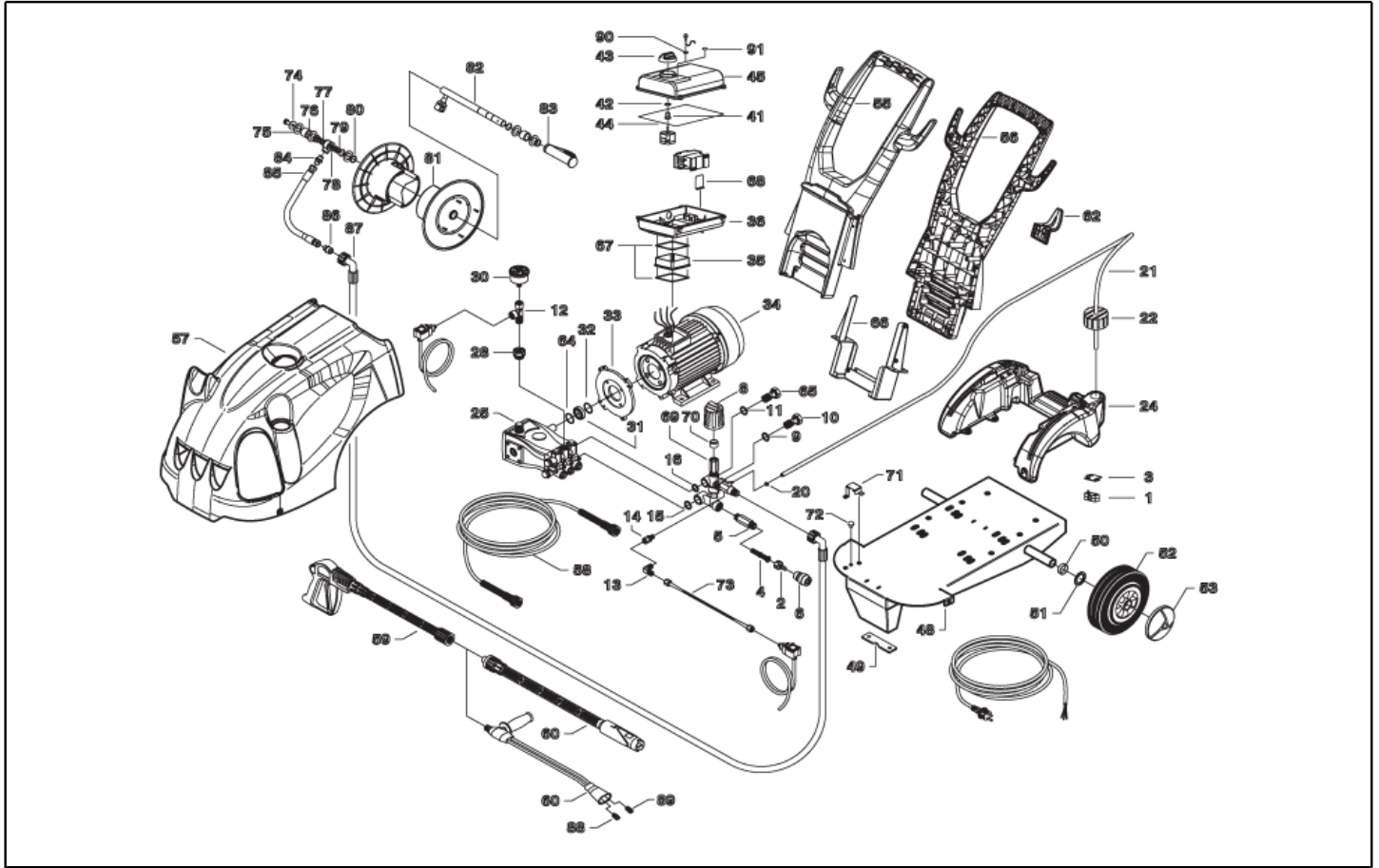
**Spare parts list**

Ref: IDAF40267

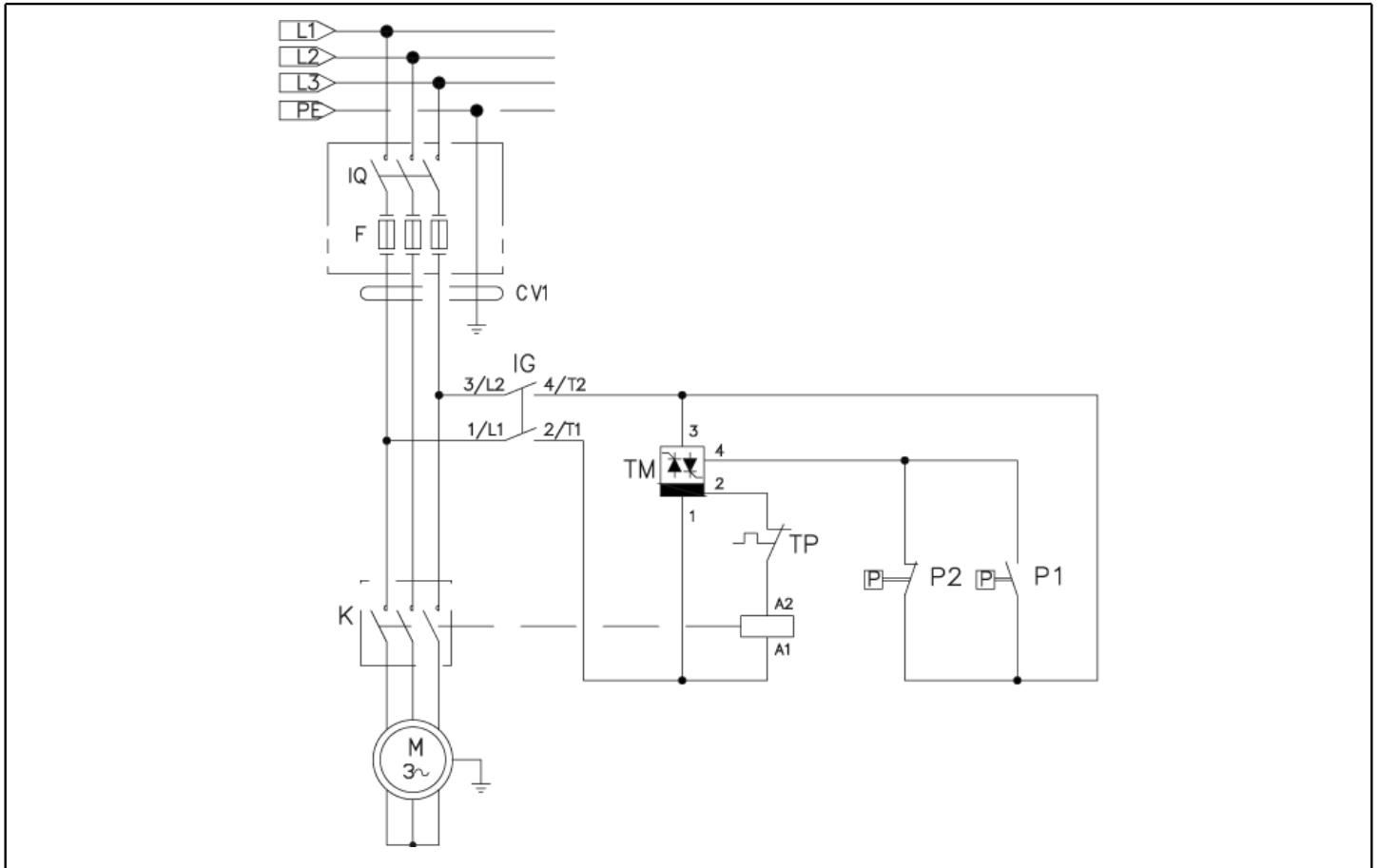
Model: H.P. CLEANER PW-C50P D1718P T400/50IPC



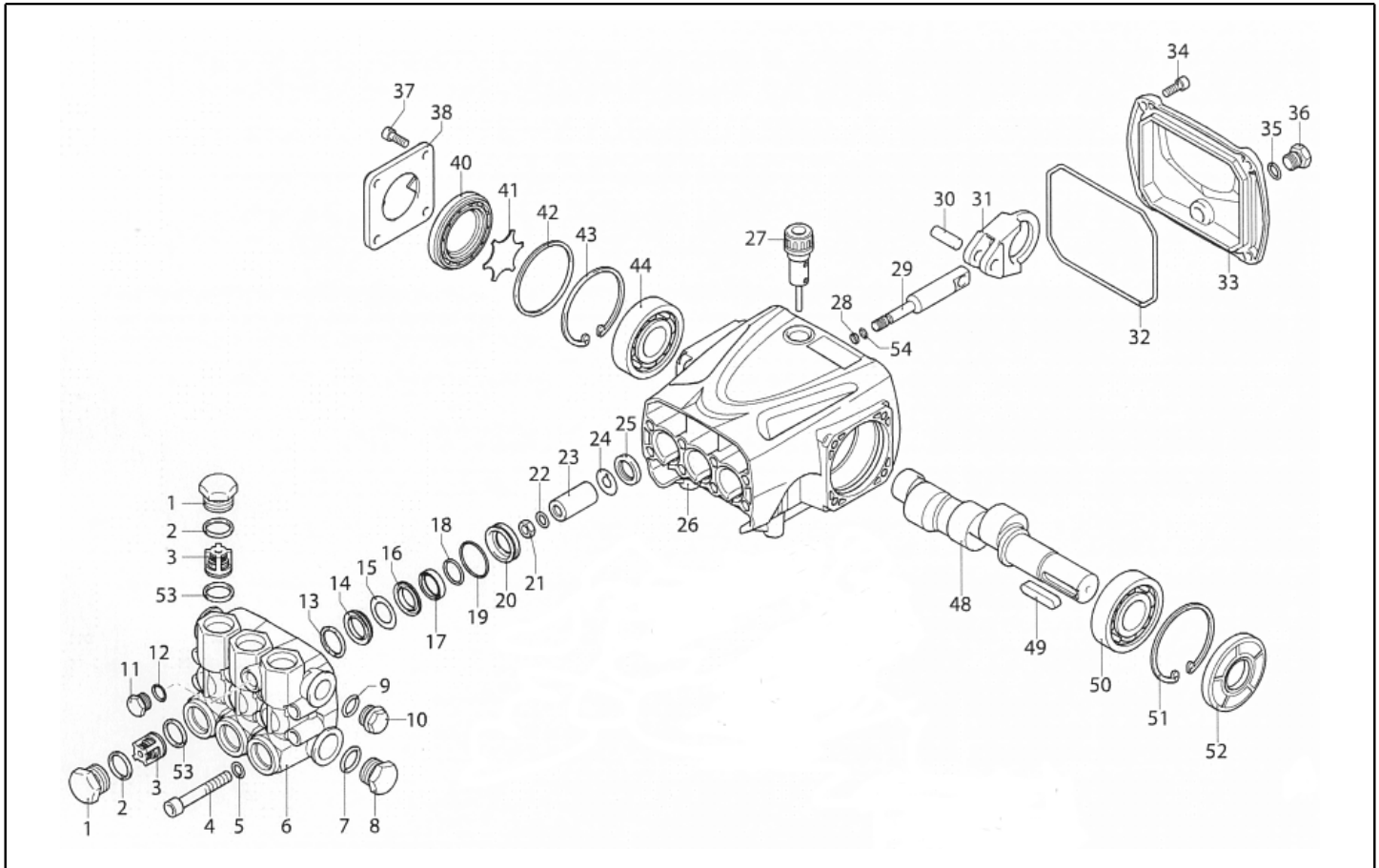
| Ref. K | Part n.    | Customer part n. | Description                         | Quantity | Validity   |            | Price |
|--------|------------|------------------|-------------------------------------|----------|------------|------------|-------|
|        |            |                  |                                     |          | From       | To         |       |
| 0001   | MEVR20906  | 00020906         | CABLE CLAMP KSM                     | 1,00     |            |            | --    |
| 0002   | RCVR29600  | 00029600         | SOCKET PTC 3/4 F                    | 1,00     |            |            | --    |
| 0003   | LAFN40457  |                  | SUPPORT PW-C40                      | 1,00     |            |            | --    |
| 0004   | FTAC30214  | 00030214         | FILTER D.15X67                      | 1,00     |            | 31/07/2012 | --    |
| 0005   | RCDS42051  | 00042051         | NIPPLE 3/4 - 1/2 RYL                | 1,00     |            | 31/07/2012 | --    |
| 0005   | RCDS87610  | 00087610         | NIPPLE 3/4 - 1/2 CB D.13.0          | 1,00     | 01/08/2012 |            | --    |
| 0005   | FTDT12702  | 00012702         | FILTER PA                           | 1,00     | 01/08/2012 |            | --    |
| 0006   | RCVR29602  | 00029602         | CONNECTOR D. 1/2"-5/8" PTC          | 1,00     |            |            | --    |
| 0008   | MPVR09436  | 00009436         | BLACK KNOB ST 260                   | 1,00     |            | 20/06/2014 | --    |
| 0008   | MPVR40589  |                  | BLACK KNOB ST 260 IPC               | 1,00     | 21/06/2014 |            | --    |
| 0009   | GUGO01048  | 00001048         | O-RING D. 15.88 X 2.62 NBR 70SH     | 2,00     | 10/07/2013 |            | --    |
| 0009   | VTRS00549  | 00000549         | WASHER D.21,5X27X1.5 (1/2) RM       | 2,00     |            | 09/07/2013 | --    |
| 0010   | RCDS12486  | 00012486         | SCREW G 1/2 L=48.5                  | 1,00     |            | 09/07/2013 | --    |
| 0010   | RCDS40171  |                  | SCREW G 1/2 VRF-2 OT. 2F.           | 1,00     | 10/07/2013 |            | --    |
| 0011   | GUGO03510  | 00003510         | O-RING D. 12.37 X 2.62 NBR 70SH     | 2,00     | 10/07/2013 |            | --    |
| 0011   | VTRS00548  | 00000548         | WASHER D.17,5X23X1.5 (3/8)RM        | 2,00     |            | 09/07/2013 | --    |
| 0012   | RCVR72867  |                  | CONNECTOR A "T" 1/8" FFM            | 1,00     |            |            | --    |
| 0013   | RCVR35844  | 00035844         | ELBOW 1/4-1/8 M/M NIK               | 1,00     |            | 31/03/2013 | --    |
| 0013   | RCVR34780  | 00034780         | ELBOW 1/8" M/F A10                  | 1,00     | 01/04/2013 | 11/06/2013 | --    |
| 0013   | RCDS40176  |                  | ELBOW 1/8" M/F CN. L=24 OT.         | 1,00     | 01/10/2013 |            | --    |
| 0014   | RCVR02589  | 00002589         | SLEEVE 1/8-1/4 F A6                 | 1,00     | 01/10/2013 |            | --    |
| 0021   | TBBP62474  | 00062474         | L.P. HOSE D. 7-10 CR.               | 0,45     |            |            | --    |
| 0022   | MPVR60848  | 00060848         | TANK CAP 1-1/4F                     | 1,00     |            |            | --    |
| 0024   | MPVR40353  |                  | TANK PW-C50 PEHD                    | 1,00     |            |            | --    |
| 0025   | PPAP40059  |                  | PUMP RR 18.16 DX N                  | 1,00     |            |            | --    |
| 0028   | PVVR40175  |                  | CAP AR RR C/F. 1/8F+OR              | 1,00     |            |            | --    |
| 0030   | MNMIN18650 | 00018650         | PRESSURE GAUGE 0-300 D.40           | 1,00     |            |            | --    |
| 0031   | RCDS25578  | 00025578         | BUSHING IP WW141 OT.                | 1,00     |            |            | --    |
| 0032   | GUGO21339  | 00021339         | O-RING D. 29.82 X 2.62 VIT 70SH     | 1,00     |            |            | --    |
| 0033   | MFVR21309  | 00021309         | COUNTERFLANGE MEC 90-100-112        | 1,00     |            |            | --    |
| 0034   | MOTR40030  |                  | 3PH MOTOR C50 HP7.5 23-400/50C RR/K | 1,00     |            |            | --    |
| 0035   | MPVR40348  |                  | SPACER C50 H.22 PP                  | 1,00     |            |            | --    |
| 0036   | MPVR40334  |                  | CONTROL BOX PW-C4/50 ABS BK.        | 1,00     |            |            | --    |
| 0041   | MPVR23482  | 00023482         | SWITCH TANG TEC. TUV                | 1,00     |            |            | --    |
| 0042   | GUGO25527  | 00025527         | O-RING D. 14 X 3 NBR 70SH           | 1,00     |            |            | --    |
| 0043   | MPVR49057  | 00049057         | BLACK KNOB P176-M.RACE PA6          | 1,00     |            |            | --    |
| 0044   | GUGO33675  | 00033675         | JOINT MOUSSE D. 4                   | 0,90     |            |            | --    |
| 0045   | MPVR40335  |                  | BOX COVER PW-C40 ABS BK.            | 1,00     |            |            | --    |
| 0048   | LAFN40472  |                  | CHASSIS PW-C50                      | 1,00     |            |            | --    |
| 0049   | MPVR10079  | 00010079         | FOOT SUPPORT N S.JET                | 1,00     |            |            | --    |
| 0050   | MPVR29447  | 00029447         | SPACER D. 26-30 L=10 PVC            | 4,00     |            |            | --    |
| 0051   | VTRS09813  | 00009813         | WASHER D.25                         | 2,00     |            |            | --    |
| 0052   | RTRT40002  |                  | WHEEL D.260 3.00-4 D.25 S.PI.NY     | 2,00     |            |            | --    |
| 0053   | MPVR28995  | 00028995         | GREY HUB CAP D. 110                 | 2,00     |            |            | --    |



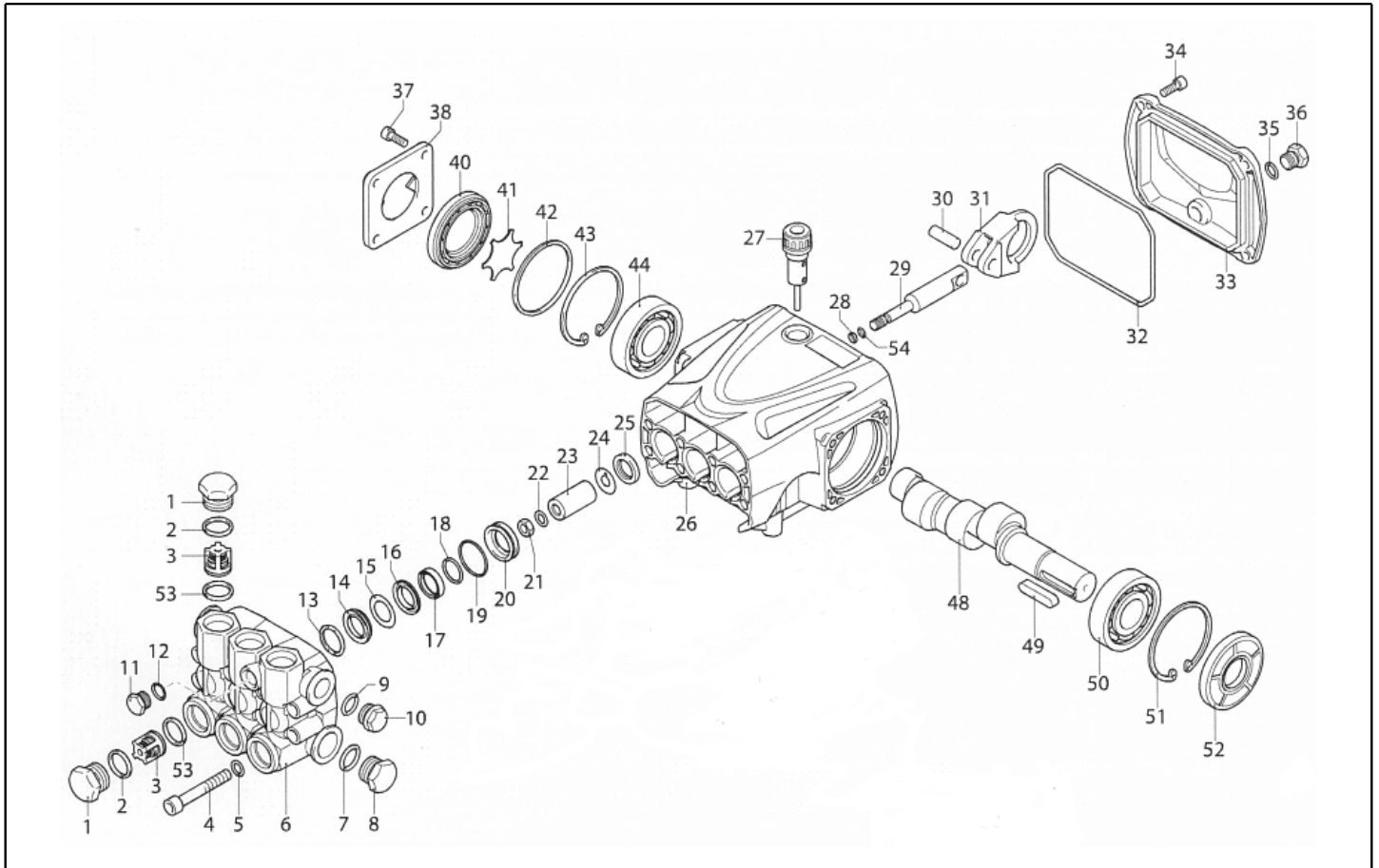
| Ref. K | Part n.   | Customer part n. | Description                            | Quantity | Validity   |            | Price |
|--------|-----------|------------------|--|----------|------------|------------|-------|
|        |           |                  |  |          | From       | To         |       |
| 0055   | MPVR40332 |                  | HANDLE PW-C4/50 ANT. PP BK.            | 1,00     |            |            | --    |
| 0056   | MPVR40331 |                  | HANDLE PW-C4/50 PST. PP BK.            | 1,00     |            |            | --    |
| 0057   | MPVR40342 |                  | GREEN COVER PW-C50 PPL V.368C          | 1,00     |            |            | --    |
| 0058   | TBAP40062 |                  | H.P. HOSE R1 MT 15 5/16" C/2 IRV ZC    | 1,00     | 26/01/2012 |            | --    |
| 0059   | IPPR40010 |                  | GRIP G 5100+P.330 +M22 SW.M V          | 1,00     |            | 29/02/2016 | --    |
| 0059   | IPPR40020 |                  | GRIP G 6000+P.330 +M22 SW.M V          | 1,00     | 01/03/2016 |            | --    |
| 0060   | LCPR40050 |                  | EXTENSION P 580 - T10P 1.65 Via        | 1,00     |            |            | --    |
| 0060   | LCPR40052 |                  | LANCE TURBO TPR-20+SF230 D.1,60        | 1,00     | 01/02/2012 |            | --    |
| 0062   | MPVR80139 | 00080139         | HOSE REEL H110                         | 1,00     |            | 04/05/2012 | --    |
| 0062   | MPVR80139 | 00080139         | HOSE REEL H110                         | 1,00     | 05/05/2012 |            | --    |
| 0064   | GUGO21337 | 00021337         | O-RING D. 25.07 X 2.62 VIT 70SH        | 1,00     |            |            | --    |
| 0065   | RCDS12495 | 00012495         | SCREW G 3/8 L=48.5                     | 1,00     |            | 09/07/2013 | --    |
| 0065   | RCDS40172 |                  | SCREW 3/8 VRF-2 OT 4F.                 | 1,00     | 10/07/2013 |            | --    |
| 0066   | LAFN40456 |                  | BRACKET PW-C40 BK.                     | 1,00     |            |            | --    |
| 0067   | GUGO10881 | 00010881         | GASKET M.EL. 73X73                     | 1,00     |            |            | --    |
| 0067   | GUGO10881 | 00010881         | GASKET M.EL. 73X73                     | 1,00     |            |            | --    |
| 0068   | LAFN40458 |                  | SUPPORT PW-C40 INX                     | 1,00     |            |            | --    |
| 0069   | VVAZ40018 |                  | VALVE MV 625 AR-R AF I.2.1 RG.         | 1,00     |            | 31/01/2013 | --    |
| 0069   | VVAZ40029 |                  | VALVE VRF-2 AR-R AF I.2.1              | 1,00     | 01/10/2013 |            | --    |
| 0070   | PVVR40273 |                  | ADAPTER VRF-2 RG.                      | 1,00     | 01/02/2013 |            | --    |
| 0071   | LAFN40478 |                  | BRACKET PW-C50                         | 1,00     |            | 31/03/2013 | --    |
| 0072   | MPVR40391 |                  | FOOT GM. TY.2 D.13.5/6 L.6 TPE         | 1,00     |            | 31/03/2013 | --    |
| 0073   | TBAP40087 |                  | POLYAMIDE HOSE L=320 1/4 F-F           | 1,00     |            | 31/03/2013 | --    |
| 0073   | RCDS40167 |                  | CONNECTOR L= 70 2X1/8M CN. IX.         | 1,00     | 01/10/2013 |            | --    |
| 0074   | VTRS40016 |                  | WASHER D.22 X32 X1.2 ZC.               | 2,00     | 26/01/2012 |            | --    |
| 0075   | VTRS04924 | 00004924         | WASHER D.23X 39                        | 2,00     |            |            | --    |
| 0076   | MPVR40333 |                  | SPACER D. 20.5-30 L=23 POM             | 2,00     |            |            | --    |
| 0077   | GUGO01032 | 00001032         | O-RING D. 17.13 X 2.62 NBR 70SH        | 2,00     |            |            | --    |
| 0078   | RCDS89862 |                  | BLOCK PRT-P237 G3/8 OT.                | 1,00     |            |            | --    |
| 0079   | GUVR37665 | 00037665         | ANTI-EXTR.RING D.17.8X22 X1.5 PTFE     | 2,00     |            |            | --    |
| 0080   | VTAE33674 | 00033674         | CIRCLIP D. 22 UNI 7435                 | 6,00     |            |            | --    |
| 0081   | MPVR37152 | 00037152         | HOSE REEL PRT PP                       | 2,00     |            | 30/09/2013 | --    |
| 0081   | MPVR40581 |                  | HOSE REEL PRT.ANM PP                   | 2,00     | 01/10/2013 |            | --    |
| 0082   | LAFN48953 | 00048953         | AXLE PRT 2V. 3PZ.                      | 1,00     | 10/06/2003 |            | --    |
| 0083   | MPVR31495 | 00031495         | HANDLE PRT D. 3.5                      | 1,00     |            |            | --    |
| 0084   | RCDS00610 | 00000610         | NIPPLE 3/8 - 3/8 SV                    | 1,00     |            |            | --    |
| 0085   | TBAP40083 |                  | HOSE-FITTING 3/ 8 R2 L=460 0- 0° 3/8F  | 1,00     |            |            | --    |
| 0086   | RCIN09348 | 00009348         | MALE COUPLING 3/8MA L=32               | 1,00     |            |            | --    |
| 0087   | TBAP40092 |                  | HOSE-FITTING 3/ 8 R1 L=660 2/IRV F 90° | 1,00     |            |            | --    |



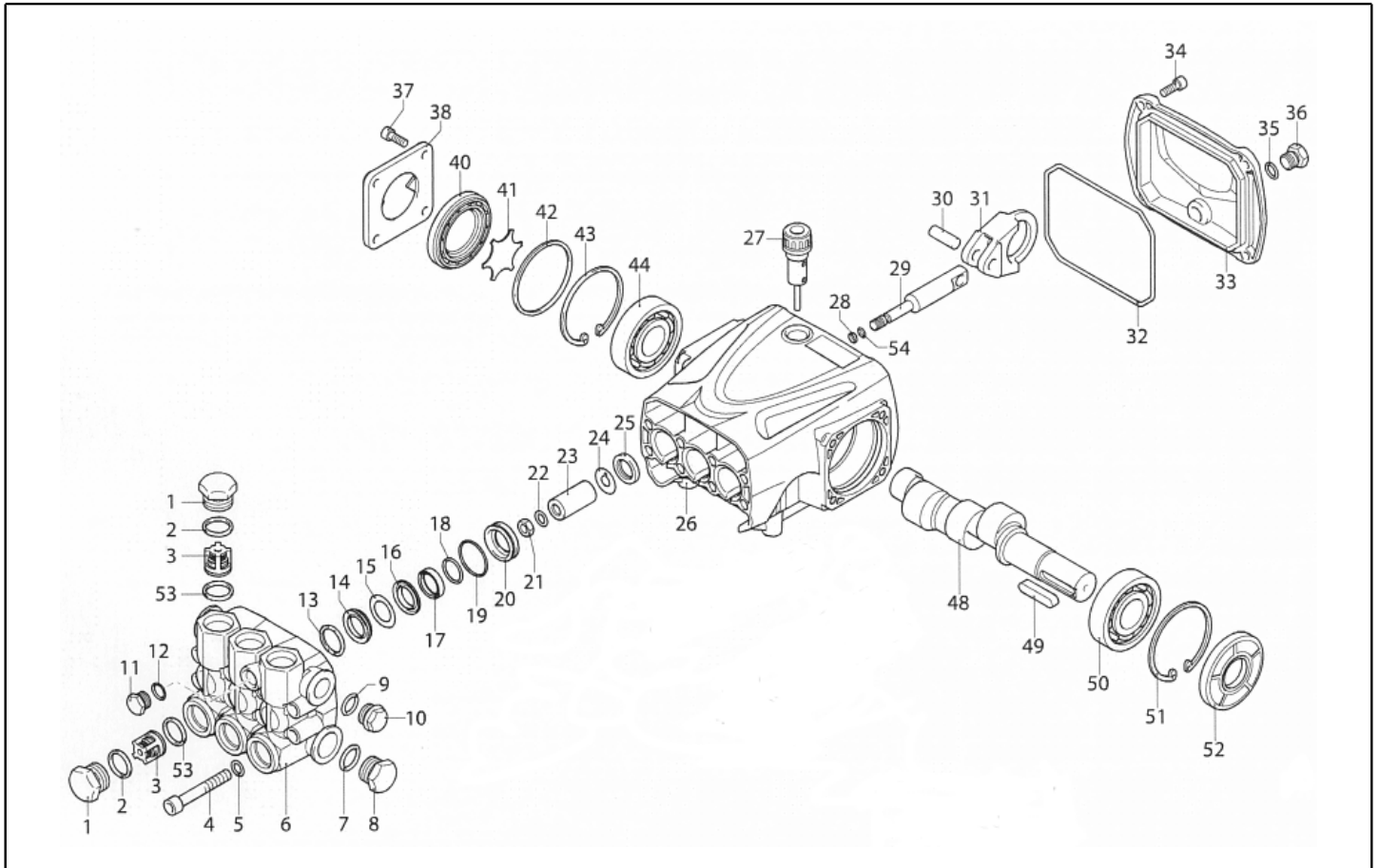
| Ref. K | Part n.   | Customer part n. | Description                               | Quantity | Validity   |            | Price |
|--------|-----------|------------------|---|----------|------------|------------|-------|
|        |           |                  |   |          | From       | To         |       |
| K      | METT40013 |                  | CONTACTOR SIE 3RT 2017-1AV01 400V         | 1,00     | 15/10/2014 |            | --    |
| K      | METT40664 | 00040664         | CONTACTOR SIE 3RT 1017 1AV01 400V         | 1,00     |            | 14/10/2014 | --    |
| IG     | MECI40020 |                  | SWITCH BRM BP. 0-1 12A                    | 1,00     |            |            | --    |
| P1     | MEPF39741 | 00039741         | PRESSURE SWITCH MTM 1/8M NA/NC 25B. MICRO | 1,00     |            |            | --    |
| P2     | MEPF39902 | 00039902         | PRESSURE SWITCH MTM 1/4M NA/NC 25B. MICRO | 1,00     |            |            | --    |
| TM     | METY37439 | 00037439         | TIMER THV/1S 380-415V 30S.5/60            | 1,00     |            | 31/08/2015 | --    |
| TM     | METY40003 |                  | TIMER THV/1 400-5/60 30S.2P               | 1,00     | 01/09/2015 |            | --    |
| CV1    | MECB89888 |                  | CABLE H07 RNF 4X2.5 L=6.500               | 1,00     |            |            | --    |



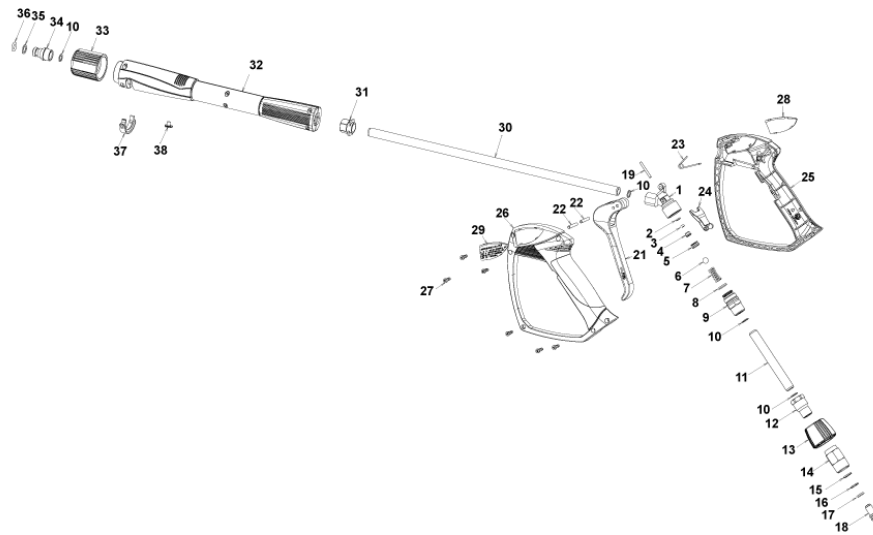
| Ref. K | Part n.     | Customer part n. | Description                      | Quantity | Validity |    | Price |
|--------|-------------|------------------|----------------------------------|----------|----------|----|-------|
|        |             |                  |                                  |          | From     | To |       |
| 0001   | PVVR40161   |                  | CAP AR RR                        | 6,00     |          |    | --    |
| 0002   | GUGO03502   | 00003502         | O-RING D. 17.86 X 2.62 NBR 70SH  | 6,00     |          |    | --    |
| 0003   | S VVAM40003 |                  | VALVE UNIT RR                    | 6,00     |          |    | --    |
| 0004   | VTVT63018   |                  | SCREW TCEI M 8X55 ZC U.5931      | 8,00     |          |    | --    |
| 0005   | VTRS14242   | 00014242         | WASHER D. 8.4X13X0.8 UNI7064 SCH | 8,00     |          |    | --    |
| 0006   | MFVR40028   |                  | HEAD AR RR OT.                   | 1,00     |          |    | --    |
| 0007   | GUGO19245   | 00019245         | O-RING D. 17.5 X 2 NBR 70SH      | 1,00     |          |    | --    |
| 0008   | PVVR40121   |                  | CAP 1/2 M RC                     | 1,00     |          |    | --    |
| 0009   | GUGO09720   | 00009720         | O-RING D. 14 X 1.78 NBR 70SH     | 1,00     |          |    | --    |
| 0010   | PVVR40099   |                  | CAP 3/8 M HRM                    | 1,00     |          |    | --    |
| 0011   | PVVR40129   |                  | CAP 1/4 M RC                     | 1,00     |          |    | --    |
| 0012   | GUGO01036   | 00001036         | O-RING D. 10.82 X 1.78 NBR 70SH  | 1,00     |          |    | --    |
| 0013   | S PVVR40122 |                  | HEAD RING D. 18 RC               | 3,00     |          |    | --    |
| 0014   | S GUVR40035 |                  | PACKING D. 18 RC H.P.            | 3,00     |          |    | --    |
| 0015   | S GUVR40043 |                  | ANTI-EXTR.RING D.18X28           | 3,00     |          |    | --    |
| 0016   | S PVVR40162 |                  | INTERMED. RING D. 18 RR          | 3,00     |          |    | --    |
| 0017   | S GUVR40036 |                  | PACKING D. 18 RC L.P.            | 3,00     |          |    | --    |
| 0018   | S GUVR40037 |                  | ANTI-EXTR.RING D.21              | 3,00     |          |    | --    |
| 0019   | S GUGO19290 | 00019290         | O-RING D. 23.52 X 1.78 NBR 70SH  | 3,00     |          |    | --    |
| 0020   | S PVVR40163 |                  | PACKING RETAIN. D. 18 RR         | 3,00     |          |    | --    |
| 0021   | VTDD00483   | 00000483         | NUT M 8 ZIN UNI 5588             | 3,00     |          |    | --    |
| 0022   | VTRS19394   | 00019394         | WASHER D. 8X13X0.5               | 3,00     |          |    | --    |
| 0023   | S PIVR40007 |                  | PISTON D.18 RR                   | 3,00     |          |    | --    |
| 0024   | PVVR19233   | 00019233         | DISC XTS                         | 3,00     |          |    | --    |
| 0025   | S GUGO09690 | 00009690         | OIL SEAL 15X 24X 5 NBR70         | 3,00     |          |    | --    |
| 0026   | MFVR40030   |                  | PUMP CRANKCASE AR RR             | 1,00     |          |    | --    |
| 0027   | PVVR19231   | 00019231         | OIL CAP XTS                      | 1,00     |          |    | --    |
| 0028   | GUGO08071   | 00008071         | O-RING D. 4.48 X 1.78 NBR 70SH   | 3,00     |          |    | --    |
| 0029   | PVVR40176   |                  | PISTON GUIDE RR                  | 3,00     |          |    | --    |
| 0030   | PVVR40178   |                  | GUDGEON D. 9 RR                  | 3,00     |          |    | --    |
| 0031   | BLVR40002   |                  | CONNECTING ROD RR                | 3,00     |          |    | --    |
| 0032   | GUGO40017   |                  | O-RING D. 107.62 X 2.62 NBR 70SH | 1,00     |          |    | --    |
| 0033   | MFVR40029   |                  | CRANKASE COVER AR RR             | 1,00     |          |    | --    |
| 0034   | VTVT09913   | 00009913         | SCREW TCEI 6X16 UNI5931          | 4,00     |          |    | --    |
| 0035   | GUGO01036   | 00001036         | O-RING D. 10.82 X 1.78 NBR 70SH  | 1,00     |          |    | --    |
| 0036   | PVVR40129   |                  | CAP 1/4 M RC                     | 1,00     |          |    | --    |
| 0037   | VTVT09913   | 00009913         | SCREW TCEI 6X16 UNI5931          | 4,00     |          |    | --    |
| 0038   | MFVR40021   |                  | CRANKASE COVER AR RC LT.         | 1,00     |          |    | --    |
| 0040   | PVVR40179   |                  | OIL INDICATOR RR                 | 1,00     |          |    | --    |
| 0041   | PVVR40125   |                  | DISC RC                          | 1,00     |          |    | --    |
| 0042   | GUGO09030   | 00009030         | O-RING 56X82 X2.62 - NBR         | 1,00     |          |    | --    |
| 0043   | VTAE10405   | 00010405         | CIRCLIP D. 62 UNI 7437           | 1,00     |          |    | --    |
| 0044   | CUVR09654   | 00009654         | BALL BEARING 6305                | 1,00     |          |    | --    |
| 0048   | ALMO40013   |                  | SHAFT AR RR 18LT VRS. N          | 1,00     |          |    | --    |



| Ref. K | Part n.     | Customer part n. | Description                     | Quantity | Validity |    | Price |
|--------|-------------|------------------|---------------------------------|----------|----------|----|-------|
|        |             |                  |                                 |          | From     | To |       |
| 0049   | VTVR41531   | 00041531         | KEY 8X 7X35 UNI 6604A           | 1,00     |          |    | --    |
| 0050   | CUVR09654   | 00009654         | BALL BEARING 6305               | 1,00     |          |    | --    |
| 0051   | VTAE10405   | 00010405         | CIRCLIP D. 62 UNI 7437          | 1,00     |          |    | --    |
| 0052   | S GUGO40018 |                  | OIL SEAL 25X 62X 8 NBR70        | 1,00     |          |    | --    |
| 0053   | S GUGO02259 | 00002259         | O-RING D. 15.54 X 2.62 NBR 70SH | 6,00     |          |    | --    |
| 0054   | GUVR40044   |                  | ANTI-EXTR.RING D. 5 X 8 X1      | 3,00     |          |    | --    |

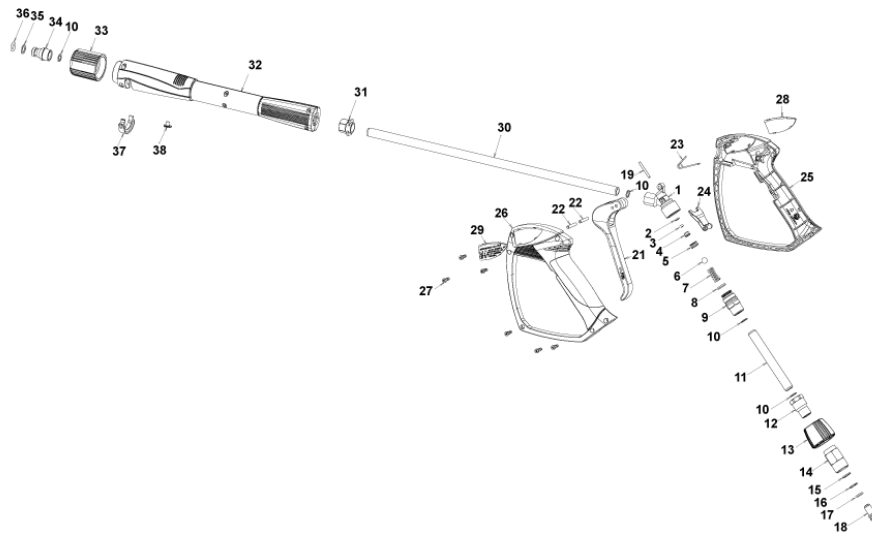


| Ref. Part n. | Cust. part n. | Description            | Reference                | Price |
|--------------|---------------|------------------------|--------------------------|-------|
| KTRI40095    |               | KIT P 15-42903 D.18 RC | 0013                     | --    |
| KTRI40142    |               | KIT P 15-42909 RR      | 0003 0053                | --    |
| KTRI40143    |               | KIT P 15-42904 D.18 RR | 0023                     | --    |
| KTRI40144    |               | KIT P 15-42922 RR      | 0025 0052                | --    |
| KTRI40145    |               | KIT P 15-42924 D.18 RR | 0014 0015 0017 0018 0019 | --    |
| KTRI40146    |               | KIT P 15-42923 D.18 RR | 0016 0020                | --    |

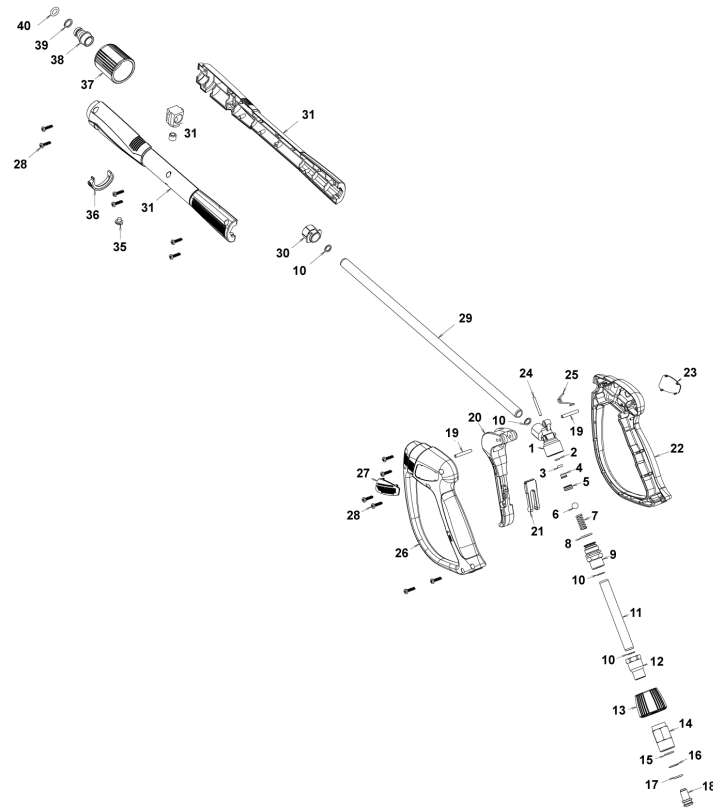


| Ref. K | Part n.     | Customer part n. | Description                     | Quantity | Validity |    | Price |
|--------|-------------|------------------|---------------------------------|----------|----------|----|-------|
|        |             |                  |                                 |          | From     | To |       |
| 0001   | PVVR40381   |                  | GUN BODY G 5100 G1/4F           | 1,00     |          |    | --    |
| 0002   | S GUVR40074 |                  | ANTI-EXTR.RING D. 3 X 7.4X1.3   | 1,00     |          |    | --    |
| 0003   | S GUGO21835 | 00021835         | O-RING D. 2.84 X 2.62 VIT. 80SH | 1,00     |          |    | --    |
| 0004   | PVVR40382   |                  | PISTON GUIDE G 5100             | 1,00     |          |    | --    |
| 0005   | S PVVR40112 |                  | BALL SEAT G 5000                | 1,00     |          |    | --    |
| 0006   | S SFVR27026 | 00027026         | BALL D.11/32" INX               | 1,00     |          |    | --    |
| 0007   | MLML40016   |                  | SPRING D. 9.4 x21.5x1.6 G5000   | 1,00     |          |    | --    |
| 0008   | GUGO12322   | 00012322         | O-RING D. 14 X 1.78 NBR 90SH    | 1,00     |          |    | --    |
| 0009   | PVVR40383   |                  | CONNECTOR COLL.G5100 1/4F       | 1,00     |          |    | --    |
| 0010   | VTRS40017   |                  | WASHER D. 8.2X11,4X1.00         | 4,00     |          |    | --    |
| 0011   | PVVR40384   |                  | TUBE G 1/4" L.105               | 1,00     |          |    | --    |
| 0012   | RCIN40022   |                  | CONNECTOR SWIV G5100 1/4F       | 1,00     |          |    | --    |
| 0013   | MPVR40486   |                  | RING NUT G 5100 SW. GR.         | 1,00     |          |    | --    |
| 0014   | RCIN40021   |                  | JOINT SWIV 5100 M22             | 1,00     |          |    | --    |
| 0015   | S GUVR40075 |                  | ANTI-EXTR.RING D. 10 X14X1.5    | 1,00     |          |    | --    |
| 0016   | S GUVR40076 |                  | ANTI-EXTR.RING D. 11.2X14X1.2   | 1,00     |          |    | --    |
| 0017   | S GUGO15295 | 00015295         | O-RING D. 10.82 X 1.78 VIT 80SH | 1,00     |          |    | --    |
| 0018   | PVVR40386   |                  | SCREW SW. G 5100                | 1,00     |          |    | --    |
| 0019   | PVVR40387   |                  | SMALL PISTON G 5100             | 1,00     |          |    | --    |
| 0021   | MPVR40487   |                  | TRIGGER G 5100-SW               | 1,00     |          |    | --    |
| 0022   | VTVR40047   |                  | PLUG D. 4X29                    | 2,00     |          |    | --    |
| 0023   | MLML40029   |                  | SPRING G 5100                   | 1,00     |          |    | --    |
| 0024   | MPVR40488   |                  | SAFETY-DEVICE G 5100-SW         | 1,00     |          |    | --    |
| 0025   | MPVR40489   |                  | SHELL G 5100-SW DX              | 1,00     |          |    | --    |
| 0026   | MPVR40490   |                  | SHELL G 5100-SW SX              | 1,00     |          |    | --    |
| 0027   | VTVT40043   |                  | SCREW AF 4X 14 HILO ZN.N        | 6,00     |          |    | --    |
| 0028   | MPVR40491   |                  | PLATE G 5100 GR.DX              | 1,00     |          |    | --    |
| 0029   | MPVR40492   |                  | PLATE G 5100 GR.SX              | 1,00     |          |    | --    |
| 0030   | LCPR40086   |                  | TUBE 1/4 L=420 ZC. 0°           | 1,00     |          |    | --    |
| 0031   | MPVR40493   |                  | CONNECTOR G 5100-SW             | 1,00     |          |    | --    |
| 0032   | MPVR40494   |                  | PROTECTION P 420 C/AN.          | 1,00     |          |    | --    |
| 0033   | PVVR40119   |                  | CONNECTION M22X1.5 IRV G5000    | 1,00     |          |    | --    |
| 0034   | RCIN40009   |                  | GUDGEON G 1/4 F IRV G5000       | 1,00     |          |    | --    |
| 0035   | GUVR40034   |                  | ANTI-EXTR.RING D. 10 X14        | 1,00     |          |    | --    |
| 0036   | GUGO01946   | 00001946         | O-RING D. 9.13 X 2.62 VIT 70SH  | 1,00     |          |    | --    |
| 0037   | MPVR40495   |                  | CAP G 5100 REM.                 | 1,00     |          |    | --    |
| 0038   | MPVR40198   |                  | CAP G 5000                      | 1,00     |          |    | --    |





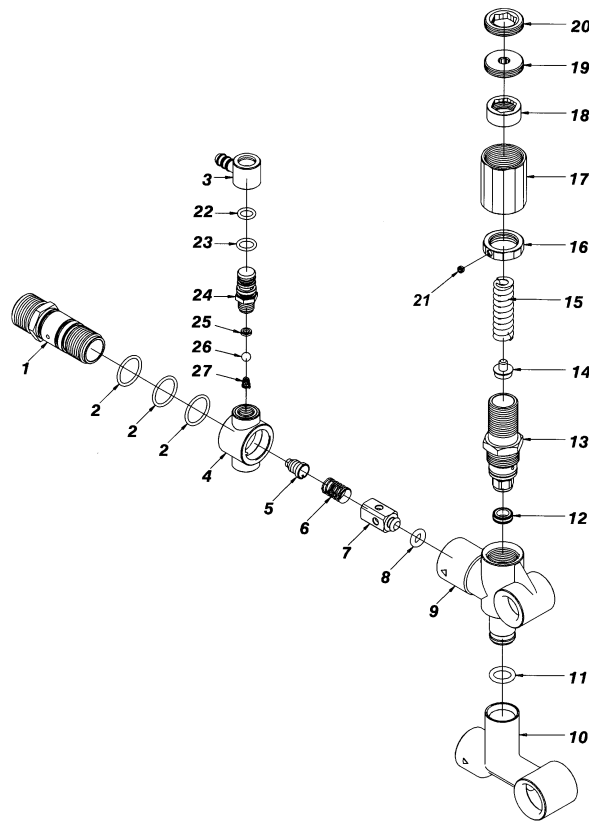
| Ref. Part n. | Cust. part n. | Description                | Reference           | Price |
|--------------|---------------|----------------------------|---------------------|-------|
| KTRI40242    |               | KIT P 26- 25 G 5100        | 0002 0003 0005 0006 | --    |
| KTRI40243    |               | KIT P 26- 26 SWIVEL G 5100 | 0015 0016 0017      | --    |



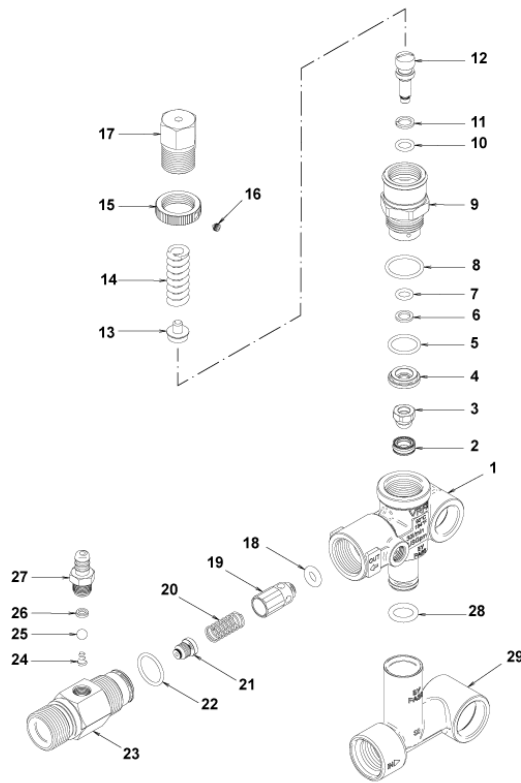
| Ref. K | Part n.     | Customer part n. | Description                     | Quantity | Validity |    | Price |
|--------|-------------|------------------|---------------------------------|----------|----------|----|-------|
|        |             |                  |                                 |          | From     | To |       |
| 0001   | PVVR40381   |                  | GUN BODY G 5100 G1/4F           | 1,00     |          |    | --    |
| 0002   | S GUVR40074 |                  | ANTI-EXTR.RING D. 3 X 7.4X1.3   | 1,00     |          |    | --    |
| 0003   | S GUGO21835 | 00021835         | O-RING D. 2.84 X 2.62 VIT. 80SH | 1,00     |          |    | --    |
| 0004   | PVVR40382   |                  | PISTON GUIDE G 5100             | 1,00     |          |    | --    |
| 0005   | S PVVR40112 |                  | BALL SEAT G 5000                | 1,00     |          |    | --    |
| 0006   | S SFVR40002 |                  | BALL D.11/32" ALL GR16          | 1,00     |          |    | --    |
| 0007   | MLML40016   |                  | SPRING D. 9.4 x21.5x1.6 G5000   | 1,00     |          |    | --    |
| 0008   | GUGO12322   | 00012322         | O-RING D. 14 X 1.78 NBR 90SH    | 1,00     |          |    | --    |
| 0009   | PVVR40383   |                  | CONNECTOR COLL.G5100 1/4F       | 1,00     |          |    | --    |
| 0010   | VTRS40017   |                  | WASHER D. 8.2X11,4X1.00         | 4,00     |          |    | --    |
| 0011   | PVVR40384   |                  | TUBE G 1/4" L.105               | 1,00     |          |    | --    |
| 0012   | RCIN40022   |                  | CONNECTOR SWIV G5100 1/4F       | 1,00     |          |    | --    |
| 0013   | MPVR40819   |                  | RING NUT G 5100 SW. BK.         | 1,00     |          |    | --    |
| 0014   | RCIN40021   |                  | JOINT SWIV 5100 M22             | 1,00     |          |    | --    |
| 0015   | S GUVR40075 |                  | ANTI-EXTR.RING D. 10 X14X1.5    | 1,00     |          |    | --    |
| 0016   | S GUVR40076 |                  | ANTI-EXTR.RING D. 11.2X14X1.2   | 1,00     |          |    | --    |
| 0017   | S GUGO15295 | 00015295         | O-RING D. 10.82 X 1.78 VIT 80SH | 1,00     |          |    | --    |
| 0018   | PVVR40386   |                  | SCREW SW. G 5100                | 1,00     |          |    | --    |
| 0019   | VTVR40047   |                  | PLUG D. 4X29                    | 2,00     |          |    | --    |
| 0020   | MPVR40820   |                  | TRIGGER G 6000-SW               | 1,00     |          |    | --    |
| 0021   | MPVR40821   |                  | SAFETY-DEVICE G 6000-SW         | 1,00     |          |    | --    |
| 0022   | MPVR40822   |                  | SHELL G 6000-SW DX              | 1,00     |          |    | --    |
| 0023   | MPVR40823   |                  | PLATE G 6000 GR.DX              | 1,00     |          |    | --    |
| 0024   | PVVR40387   |                  | SMALL PISTON G 5100             | 1,00     |          |    | --    |
| 0025   | MLML40029   |                  | SPRING G 5100                   | 1,00     |          |    | --    |
| 0026   | MPVR40824   |                  | SHELL G 6000-SW SX              | 1,00     |          |    | --    |
| 0027   | MPVR40825   |                  | PLATE G 6000 GR.SX              | 1,00     |          |    | --    |
| 0028   | VTVT40043   |                  | SCREW AF 4X 14 HILO ZN.N        | 12,00    |          |    | --    |
| 0029   | LCPR40086   |                  | TUBE 1/4 L=420 ZC. 0°           | 1,00     |          |    | --    |
| 0030   | MPVR40493   |                  | CONNECTOR G 5100-SW             | 1,00     |          |    | --    |
| 0031   | MPVR40494   |                  | PROTECTION P 420 C/AN.          | 1,00     |          |    | --    |
| 0035   | MPVR40198   |                  | CAP G 5000                      | 1,00     |          |    | --    |
| 0036   | MPVR40495   |                  | CAP G 5100 REM.                 | 1,00     |          |    | --    |
| 0037   | PVVR40119   |                  | CONNECTION M22X1,5 IRV G5000    | 1,00     |          |    | --    |
| 0038   | RCIN40009   |                  | GUDGEON G 1/4 F IRV G5000       | 1,00     |          |    | --    |
| 0039   | GUVR40034   |                  | ANTI-EXTR.RING D. 10 X14        | 1,00     |          |    | --    |
| 0040   | GUGO01946   | 00001946         | O-RING D. 9.13 X 2.62 VIT 70SH  | 1,00     |          |    | --    |



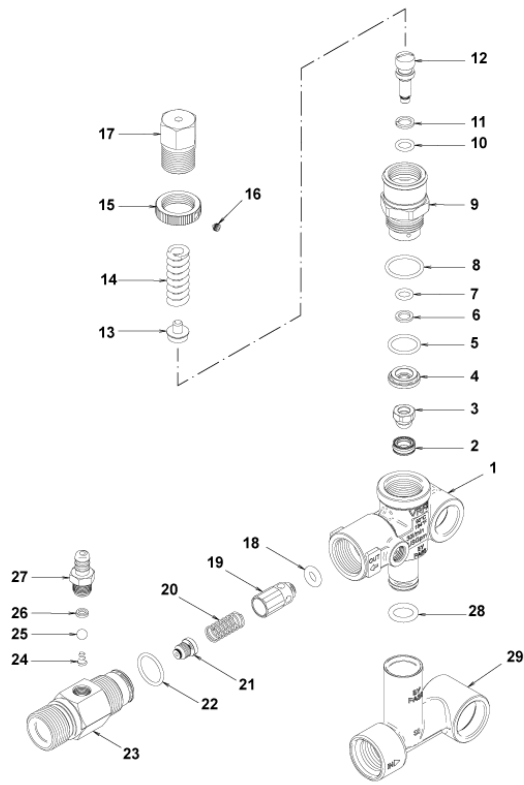
| Ref. Part n. | Cust. part n. | Description                | Reference           | Price |
|--------------|---------------|----------------------------|---------------------|-------|
| KTRI40243    |               | KIT P 26- 26 SWIVEL G 5100 | 0015 0016 0017      | --    |
| KTRI40414    |               | KIT P 26- 34 G 6000        | 0002 0003 0005 0006 | --    |



| Ref. K | Part n.   | Customer part n. | Description                     | Quantity | Validity |    | Price |
|--------|-----------|------------------|---------------------------------|----------|----------|----|-------|
|        |           |                  |                                 |          | From     | To |       |
| 0001   | PVVR47993 | 00047993         | METERING. BODY MV 625 M22       | 1,00     |          |    | --    |
| 0002   | GUGO01058 | 00001058         | O-RING D. 17.17 X 1.78 NBR 70SH | 3,00     |          |    | --    |
| 0003   | PVVR47999 | 00047999         | HOSE FITTING MV 625             | 1,00     |          |    | --    |
| 0004   | PVVR47995 | 00047995         | METERING. BODY MV 625 GIR.      | 1,00     |          |    | --    |
| 0005   | UGEI46790 | 00046790         | NOZZLE D. 2.1 MV625             | 1,00     |          |    | --    |
| 0006   | MLML47978 | 00047978         | SPRING MV 625                   | 1,00     |          |    | --    |
| 0007   | PVVR47979 | 00047979         | PIN MV 625                      | 1,00     |          |    | --    |
| 0008   | GUGO46053 | 00046053         | O-RING D. 6 X 3 NBR 90SH        | 1,00     |          |    | --    |
| 0009   | PVVR47980 | 00047980         | VALVE BODY MV 625               | 1,00     |          |    | --    |
| 0010   | PVVR40271 |                  | CONNECTOR MV 625-RR             | 1,00     |          |    | --    |
| 0011   | GUGO11225 | 00011225         | O-RING D. 10.78 X 2.62 NBR 70SH | 1,00     |          |    | --    |
| 0012   | PVVR47985 | 00047985         | VALVE SEAT MV 625 + O-RING      | 1,00     |          |    | --    |
| 0013   | PVVR47988 | 00047988         | CONNECTOR MV 625 REG.           | 1,00     |          |    | --    |
| 0014   | PVVR47986 | 00047986         | SPRING PLATE MV 625             | 1,00     |          |    | --    |
| 0015   | MLML47987 | 00047987         | SPRING D. 3.25X41.1 MV 625      | 1,00     |          |    | --    |
| 0016   | PVVR47984 | 00047984         | RING NUT MV 625                 | 1,00     |          |    | --    |
| 0017   | PVVR47989 | 00047989         | CAP MV 625 REG.                 | 1,00     |          |    | --    |
| 0018   | PVVR47990 | 00047990         | RING NUT MV 625 REG.            | 1,00     |          |    | --    |
| 0019   | PVVR47991 | 00047991         | REGISTER MV 625 REG.            | 1,00     |          |    | --    |
| 0020   | PVVR47992 | 00047992         | CLAMP MV 625 REG.               | 1,00     |          |    | --    |
| 0021   | VTVT24918 | 00024918         | SCREW EI-ST 4X 4 UNI5927        | 1,00     |          |    | --    |
| 0022   | GUGO06988 | 00006988         | O-RING D. 7.66 X 1.78 NBR 70SH  | 1,00     |          |    | --    |
| 0023   | GUGO12490 | 00012490         | O-RING D. 8.74 X 1.78 NBR 70SH  | 1,00     |          |    | --    |
| 0024   | PVVR47998 | 00047998         | CONNECTOR MV 625                | 1,00     |          |    | --    |
| 0025   | PVVR47994 | 00047994         | BALL SEAT MV 625                | 1,00     |          |    | --    |
| 0026   | SFVR04274 | 00004274         | BALL D. 7/32                    | 1,00     |          |    | --    |
| 0027   | MLML47996 | 00047996         | SPRING D. 5.5                   | 1,00     |          |    | --    |



| Ref. K | Part n.     | Customer part n. | Description                       | Quantity | Validity |    | Price |
|--------|-------------|------------------|-----------------------------------|----------|----------|----|-------|
|        |             |                  |                                   |          | From     | To |       |
| 0001   | PVVR40375   |                  | VALVE BODY VRF2 +G1/8 F           | 1,00     |          |    | --    |
| 0002   | S PVVR40363 |                  | VALVE SEAT MV124 +OR              | 1,00     |          |    | --    |
| 0003   | S PVVR40364 |                  | COUPLING MV124                    | 1,00     |          |    | --    |
| 0004   | S PVVR40365 |                  | SPACER MV124                      | 1,00     |          |    | --    |
| 0005   | S GUGO12322 | 00012322         | O-RING D. 14 X 1.78 NBR 90SH      | 1,00     |          |    | --    |
| 0006   | S GUVR40072 |                  | ANTI-EXTR.RING D. 6.5X 9.4        | 1,00     |          |    | --    |
| 0007   | S GUGO83861 |                  | O-RING D. 6.07 X 1.78 NBR 90SH    | 1,00     |          |    | --    |
| 0008   | S GUGO24913 | 00024913         | O-RING D. 17.17 X 1.78 NBR 90SH   | 1,00     |          |    | --    |
| 0009   | S PVVR40366 |                  | CONNECTOR VRF2 D.10               | 1,00     |          |    | --    |
| 0010   | S GUGO03500 | 00003500         | O-RING D. 6.75 X 1.78 NBR 70SH    | 1,00     |          |    | --    |
| 0011   | S GUVR40073 |                  | ANTI-EXTR.RING D. 7.1X10 X1.2 TBT | 1,00     |          |    | --    |
| 0012   | S PVVR40367 |                  | SMALL PISTON D.10 VRF2            | 1,00     |          |    | --    |
| 0013   | PVVR40368   |                  | SPRING PLATE MV124 25B            | 1,00     |          |    | --    |
| 0014   | MLML40027   |                  | SPRING D. 3.0/6.0 X38.85          | 1,00     |          |    | --    |
| 0015   | PVVR40369   |                  | RING NUT MV167.09                 | 1,00     |          |    | --    |
| 0016   | VTVT89696   |                  | SCREW EI-ST 4X 4 UNI5927 ZC       | 1,00     |          |    | --    |
| 0017   | PVVR40370   |                  | CAP VRF2 M18X1                    | 1,00     |          |    | --    |
| 0018   | S GUGO46053 | 00046053         | O-RING D. 6 X 3 NBR 90SH          | 1,00     |          |    | --    |
| 0019   | S PVVR40349 |                  | COUPLING VRT3                     | 1,00     |          |    | --    |
| 0020   | S MLML40026 |                  | SPRING VRT3                       | 1,00     |          |    | --    |
| 0021   | S UGEI40010 |                  | NOZZLE D. 2.1 VRF-2               | 1,00     |          |    | --    |
| 0022   | S GUGO12321 | 00012321         | O-RING D. 15.6 X 1.78 NBR 90SH    | 1,00     |          |    | --    |
| 0023   | S PVVR40376 |                  | METERING. BODY VRF-2 M22 M        | 1,00     |          |    | --    |
| 0024   | S MLML47996 | 00047996         | SPRING D. 5.5                     | 1,00     |          |    | --    |
| 0025   | S SFVR40001 |                  | BALL D. 7/32" AISI 316/L          | 1,00     |          |    | --    |
| 0026   | S PVVR47994 | 00047994         | BALL SEAT MV 625                  | 1,00     |          |    | --    |
| 0027   | S PVVR40014 |                  | HOSE FITTING P237-MV              | 1,00     |          |    | --    |
| 0028   | GUGO11225   | 00011225         | O-RING D. 10.78 X 2.62 NBR 70SH   | 1,00     |          |    | --    |
| 0029   | PVVR40373   |                  | CONNECTOR VRF2.24                 | 1,00     |          |    | --    |



| Ref. Part n. | Cust. part n. | Description             | Reference  | Price |
|--------------|---------------|-------------------------|--|-------|
| KTRI40236    |               | KIT P 14-103 VRF2       | 0002 0003 0004 0005 0006 0007 0008 0009 0010 0011<br>0012 0018 0019 0020 0021 0022 | --    |
| KTRI40237    |               | KIT P 14-104 SEAL VRF2  | 0002 0003 0005 0006 0007 0008 0010 0011 0018 0021<br>0022                          | --    |
| KTRI40259    |               | KIT P 14-106 VRF2 I.2.1 | 0018 0019 0020 0021 0022 0023 0024 0025 0026 0027                                  | --    |