



**IPC**

**Spare parts list**

Ref: ASDO13816

Cust.ref: FOMA 1/24 W&D TC GAR

Model: VACUUM A.315 RAD TC NE/VEI C/ACC

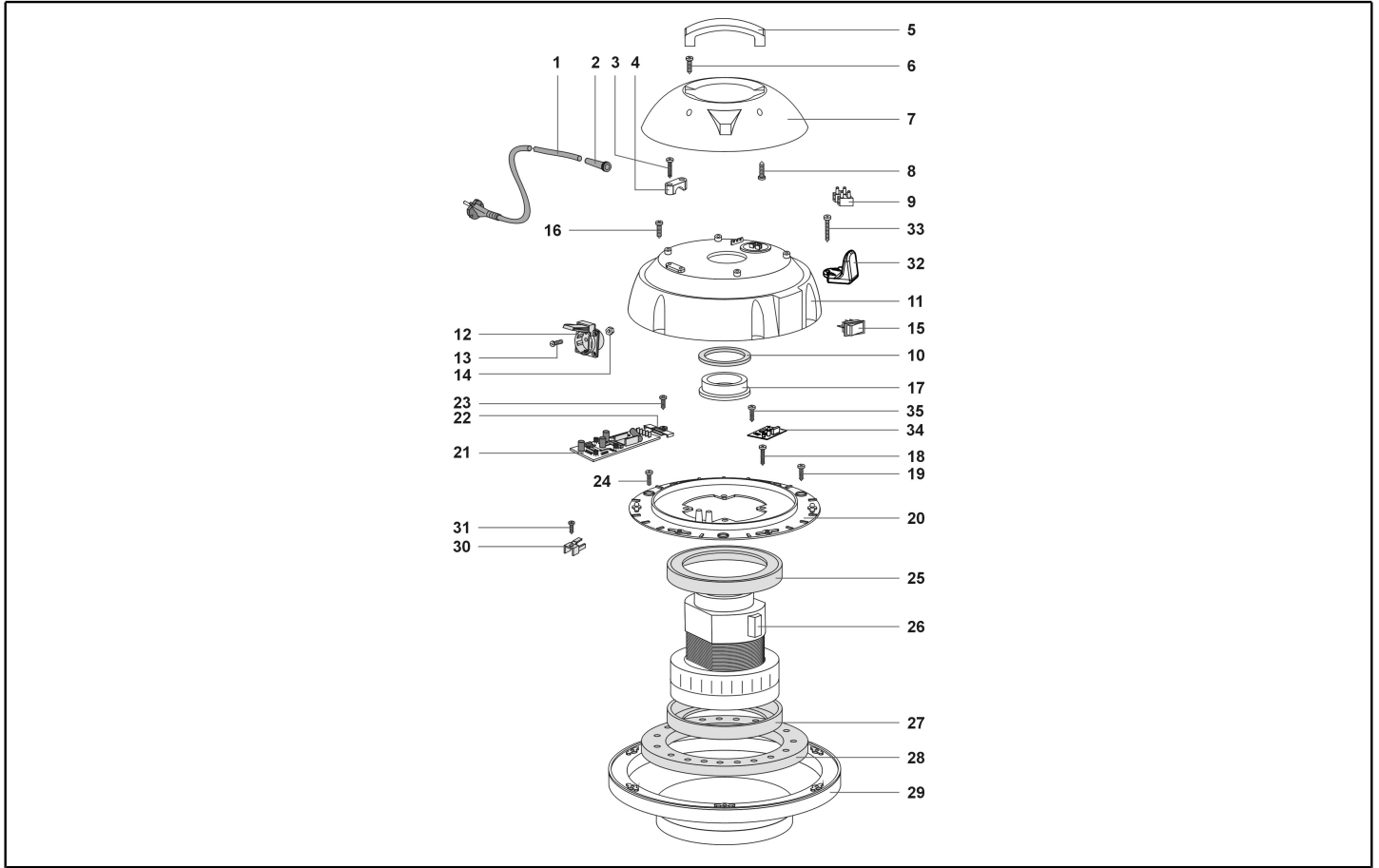
Cust.model: FOMA 1/24 W&D TC GARAGE



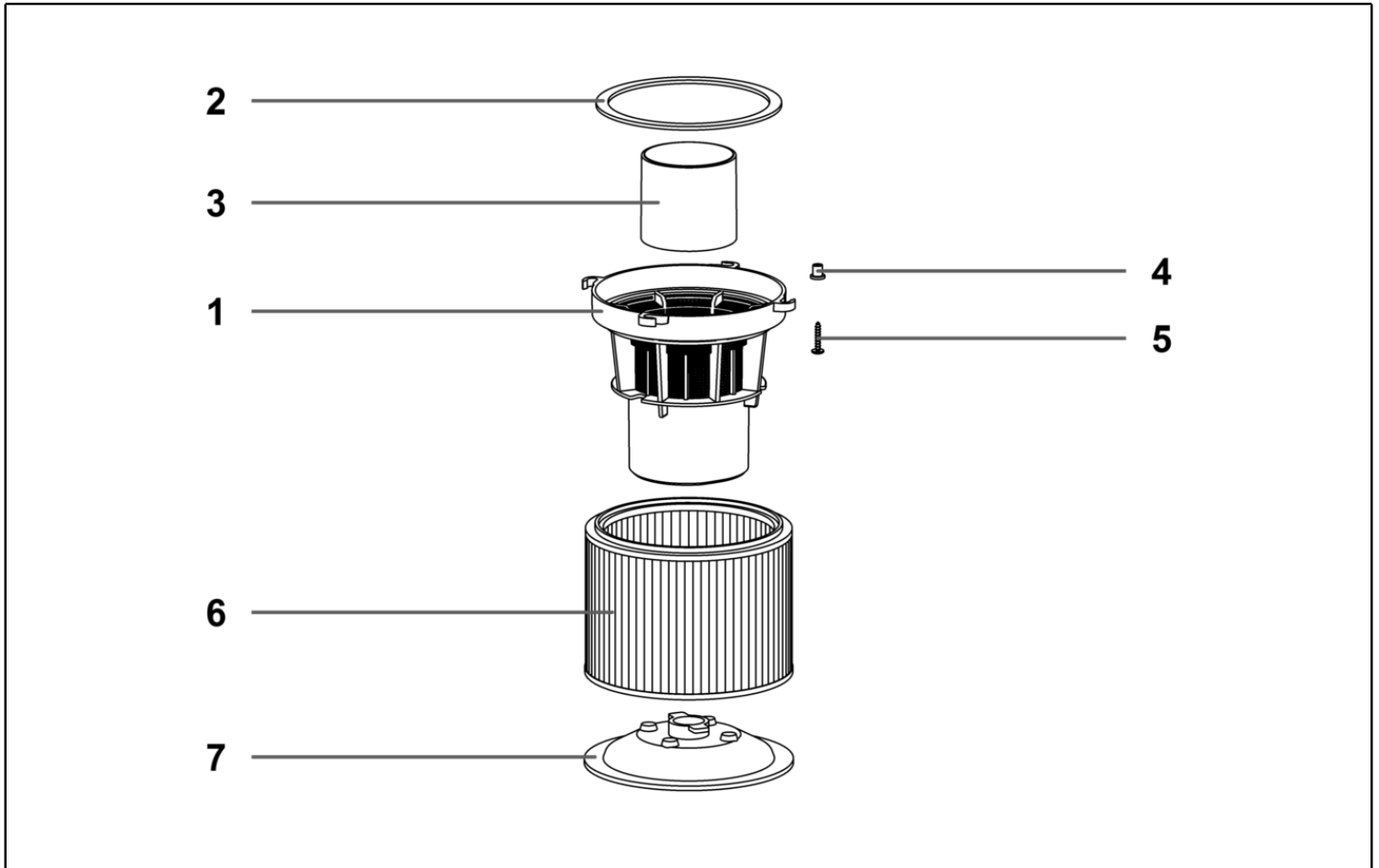
IPC Integrated Professional Cleaning

**IPC Soteco**

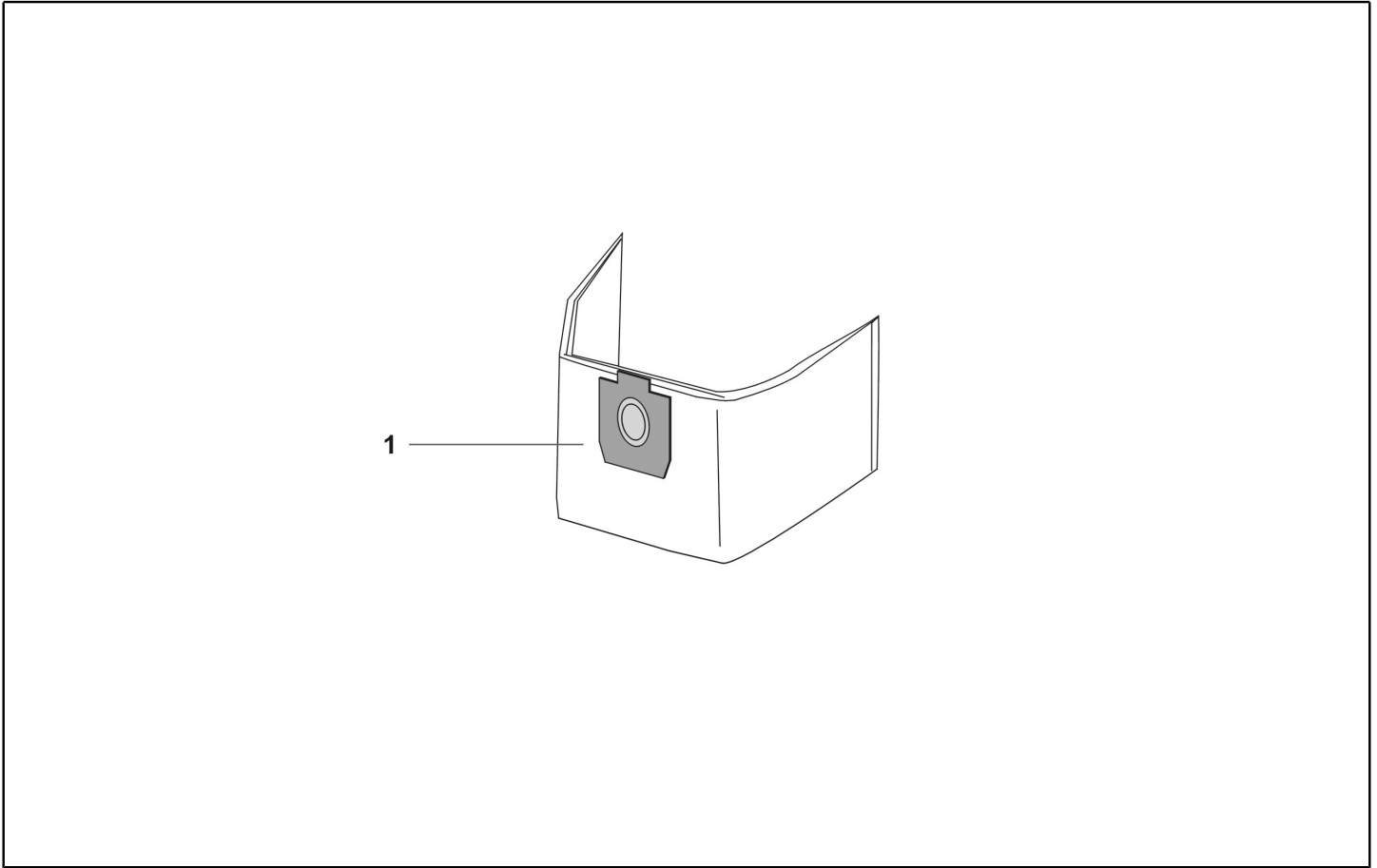
Ref. K	Part n.	Part n. 2	Description	Quantity	Validity		Price
					From	To	
0001	PMTA09147		HEAD A.315 RAD TC P/SK NE/VEI	1,00			--
0002	KTRI03693		FILTERING KIT 300/500/400/600 POLY	1,00			--
0003	FTDP00682		FILTER SACK 300 MICROFIB. TNT CL.M	1,00			--
0004	PMFU02835		ST.STEEL DRUM 300 H=400 VEI (FOMA) COMP	1,00			--
0005	CARR01568		BLACK TROLLEY 300 COMPLETE	1,00			--
0006	PMDT01240		OUTFIT KIT 36 WET-DRY C/632T TFL.NE9	1,00			--



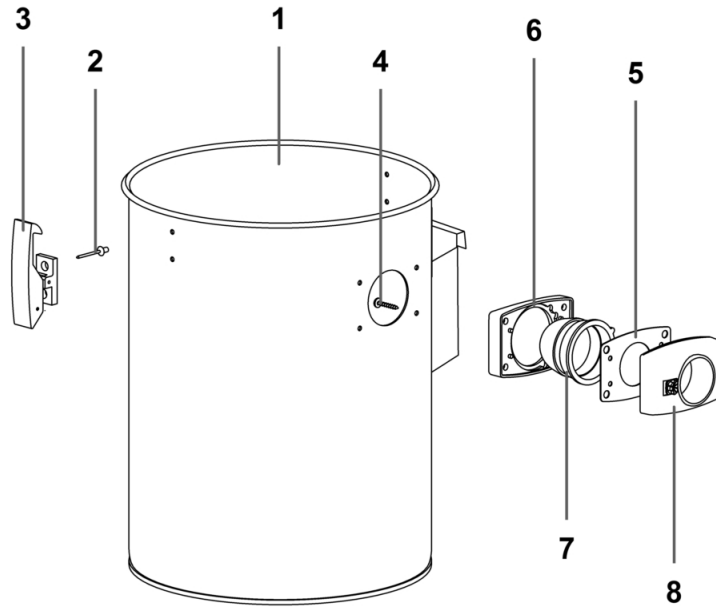
Ref. K	Part n.	Part n. 2	Description	Quantity	Validity		Price
					From	To	
*	MECB01675		CONN.WIRE M.400-G/V-FF-SP9-S1,5	2,00			--
*	MECB01671		CONN.WIRE M.200-G/V-FF-5,2-S1,5	1,00			--
*	MECB01828		WIRING 40CM MOTOR POKE-IN-TP	1,00			--
*	MEVR02225		FASTON COVER FOR ART.01103/C	2,00			--
*	FSVR00127		CLAMP	4,00			--
0001	MECB28740		ELECTRIC CORD 3X1,5 MT 8,5	1,00			--
0002	MEVR28673		FAIRLEAD	1,00			--
0003	VTVT71961		SCREW PFU TMT PHL 5X20 ZN NERA	2,00			--
0004	MPVR28690		CABLE CLAMP	1,00			--
0005	MPVR34361		HANDLE "T" AMST.NEW BLACK	1,00			--
0006	VTVT71961		SCREW PFU TMT PHL 5X20 ZN NERA	4,00			--
0007	MPVR07548		COVER A.300 BLACK	1,00			--
0008	VTVT71961		SCREW PFU TMT PHL 5X20 ZN NERA	2,00			--
0009	MECB01772		TERMINAL BOARD 300-500 3P 4/C RAD	1,00			--
0010	MPVR38371		WASHER H8 D85X65	1,00			--
0011	PMVR03358		COVERING A.315 TELECONTROL IPC-GREE	1,00			--
0012	MEVR38061		SCHUKO ADD.SOCKET W/PROTECTION	1,00			--
0013	VTVT01192		SCREW TSP CROSS M 4X12 UNI 7688	4,00			--
0014	VTDD00242		NUT 4 M NYLON	4,00	01/02/2019		--
0015	MECI38052		COMMUTATOR ANTISPLASH	1,00			--
0016	VTVT71961		SCREW PFU TMT PHL 5X20 ZN NERA	6,00			--
0017	MPVR86282		RING MOTORE H=7 (15) PLAST.	1,00			--
0018	VTVT71961		SCREW PFU TMT PHL 5X20 ZN NERA	4,00			--
0019	VTVT71960		SCREW SCREW PAT TMT PHL 5X14 ZN	2,00			--
0020	MPVR38366		MOTORFASTENER WET	1,00			--
0021	MECE00799		PCB TELECONTROL 2015 LEG	1,00	23/07/2018		--
0022	LAFN87310		CARD BLOCK BRACKET	2,00			--
0023	VTVT71961		SCREW PFU TMT PHL 5X20 ZN NERA	2,00			--
0024	VTVT71962		SCREW TMT M 5X9,5 PH	1,00			--
0025	GUGO28683		"L" GASKET W/O HOLES H=5,5	1,00			--
0026	MOMO28716		MOT.BD302 1000W 220-240V 50-60HZ	1,00			--
0027	GUGO28683		"L" GASKET W/O HOLES H=5,5	1,00			--
0028	FTDP38067		WASHER MTP 65MM 18D 230X145	1,00			--
0029	PMBA00375		BASE 300 W/GASKET+PI. BLACK	1,00			--
0030	MEVR02242		CLAMP W/FASTON	1,00			--
0031	VTVT71960		SCREW SCREW PAT TMT PHL 5X14 ZN	1,00			--
0032	MPVR06686		UNI.CABLE HAN. UNIVERSAL	1,00			--
0033	VTVT72055		SCREW PFU TMT PHL 5X25 ZN BLACK	1,00			--
0034	MECE00676		PCB ANTIDISTURBO TLC 2015	1,00	26/01/2021		--
0035	VTVT71960		SCREW SCREW PAT TMT PHL 5X14 ZN	1,00	26/01/2021		--



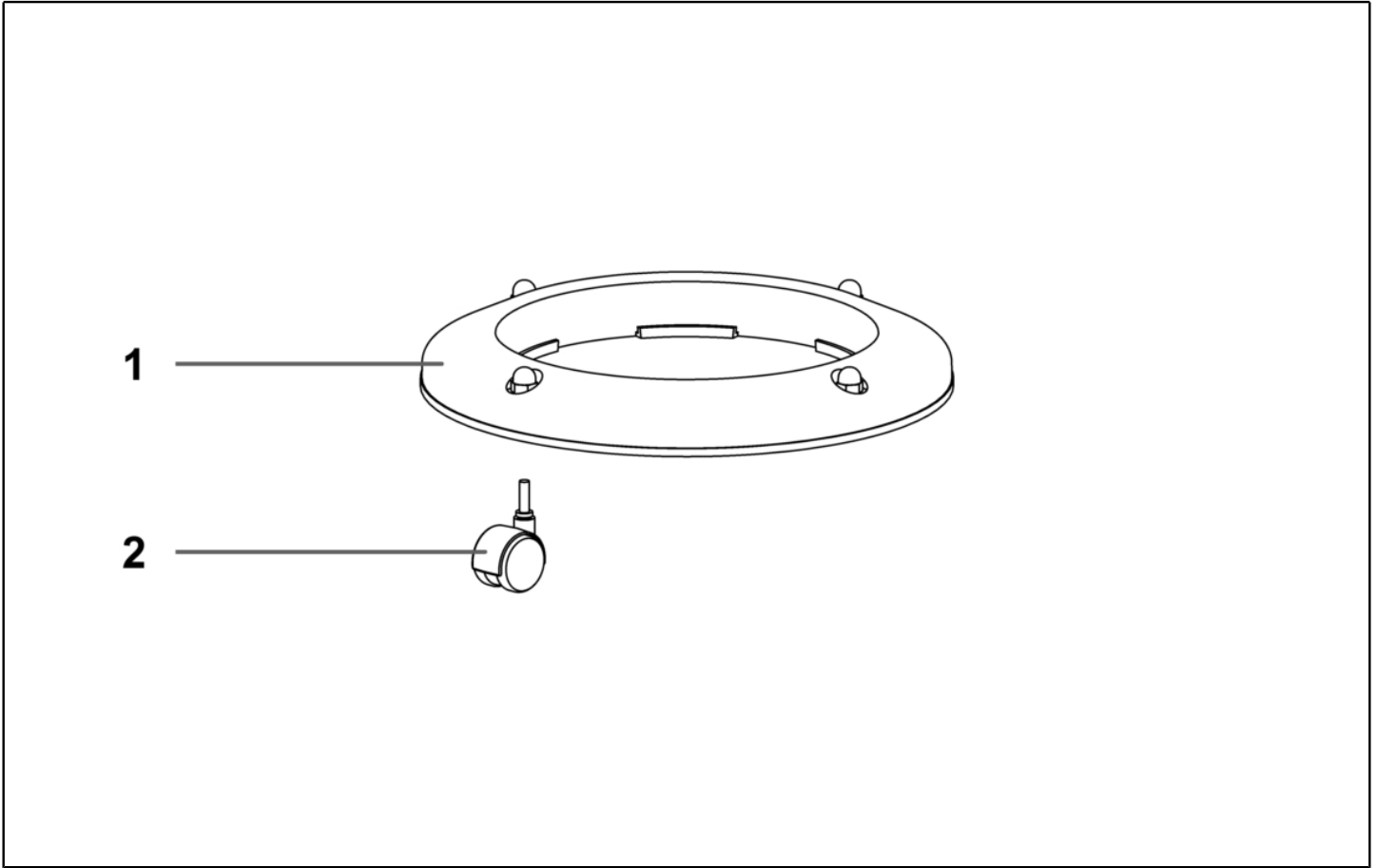
Ref. K	Part n.	Part n. 2	Description	Quantity	Validity		Price
					From	To	
0001	MPVR40521		NET ANTIFOAM BODY HIGH	1,00			--
0002	GUVR40078		GASKET H3 DS50 W/ANTIFOAM BODY	1,00			--
0003	RCGR40008		HIGH FLOAT 99 W/GASKET 37 SHA	1,00			--
0004	MPVR35796		BUSHING PLASTIC SLEEVE D.8	4,00			--
0005	VTVT36751		SCREW SCREW PAT TMT PHL 5X25	4,00			--
0006	FTDP44260		POLYESTER CARTRIDGE 175X145X163	1,00			--
0007	MPVR28723		COMPL.RING FOR FILTER	1,00			--



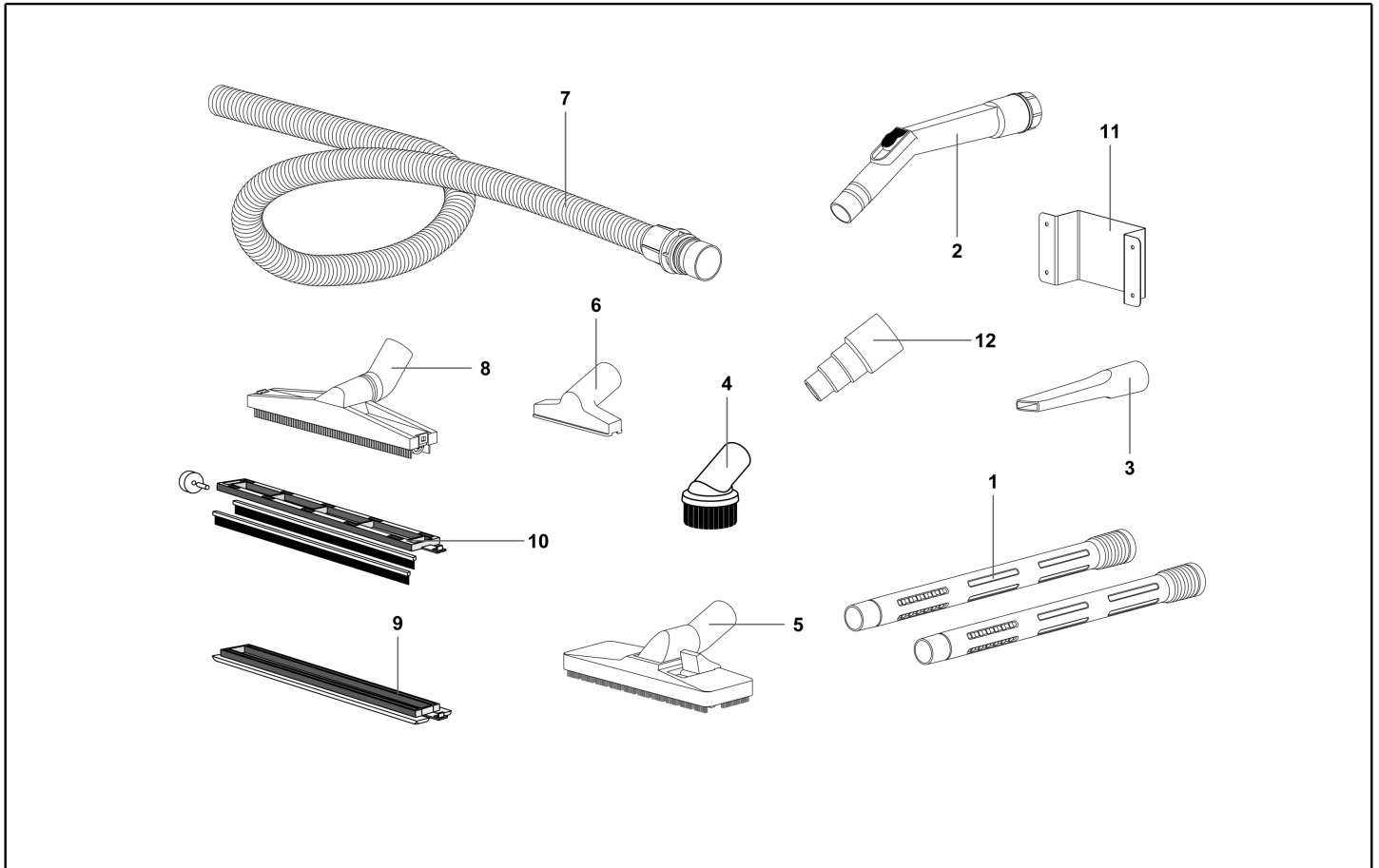
Ref. K	Part n.	Part n. 2	Description	Quantity	Validity		Price
					From	To	
0001	FTDP00682		FILTER SACK 300 MICROFIB. TNT CL.M	1,00			--
0001	FTDP00682		FILTER SACK 300 MICROFIB. TNT CL.M	1,00			--



Ref. K	Part n.	Part n. 2	Description	Quantity	Validity		Price
					From	To	
0001	LAFN11545		ST.STEEL DRUM 300 H=400 G.45° C/S	1,00			--
0002	VTVR71991		RIVET 5X11	4,00			--
0003	CHVR28735		COMPLETE PLASTIC HOOK BLACK	2,00			--
0004	VTVT71966		SCREW PAT TMT PHL 5X30 BLACK	4,00			--
0005	GUGO28701		GASKET D.38	1,00			--
0006	GUGO28736		GASKET R 205 BLACK	1,00			--
0007	MPVR28696		DEFLECTOR 99	1,00			--
0008	MPVR09047		PIPE UNION R155 BLACK C/PUL.GR-IPC	1,00			--

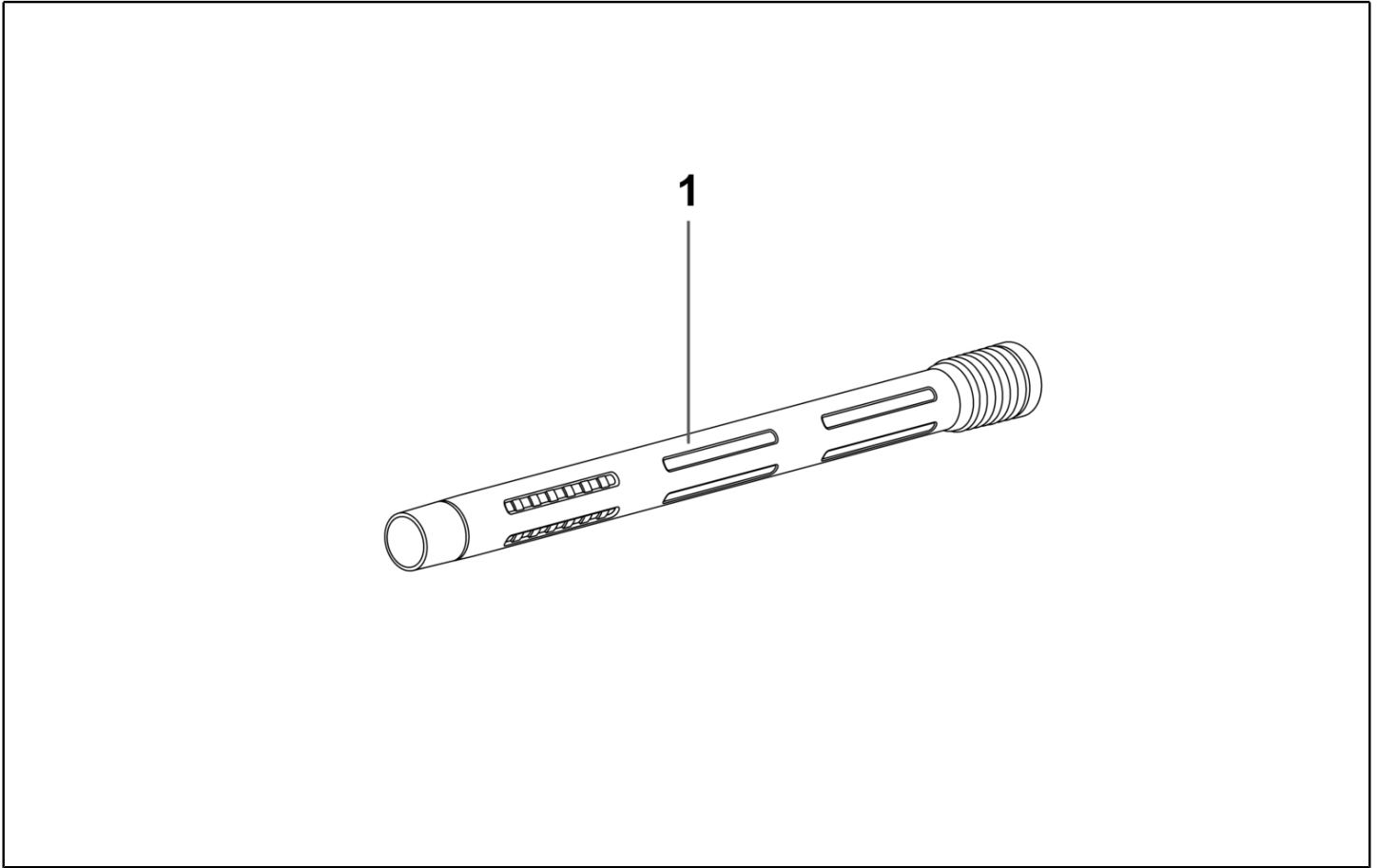


Ref. K	Part n.	Part n. 2	Description	Quantity	Validity		Price
					From	To	
0001	MPVR07594		TROLLEY BODY BODY TROLLEY 300 BLACK	1,00			--
0002	RTRT00452		WHEEL D.42 W/PIN	4,00			--



Ref. K	Part n.	Part n. 2	Description	Quantity	Validity		Price
					From	To	
0001	LAFN28238		AL-PLAST.TUBE D.36 MT.0,50	2,00			--
0002	LAFN85073		PLASTIC WAND WITH AIR REGULATION	1,00			--
0003	MPVR11566		.. CREVICE TOOL 35CM	1,00			--
0004	SPPV28243		ROUND TOOL	1,00			--
0005	SPPV01771		ASPIRAMATIC TOOL W/T BLACK	1,00			--
0006	MPVR00141		SMALL TOOL D.36	1,00			--
0007	TBFX01319		FLEXIBLE HOSE N9-3638	1,00			--
0008	SPPV28245		WET BRUSH 300 D.36	1,00			--
0009	SPPV86108		CARPET SLIDE 300	1,00			--
0010	SPPV01806		SLIDE 300 STRIP M + STRIP C	1,00			--
0011	LAFN11512		WALL BRACKET AISI 430 H=46 mm	1,00			--
0012	MPVR40837		COUPLING REDUCTION IMPLEMENT	1,00	21/02/2020		--

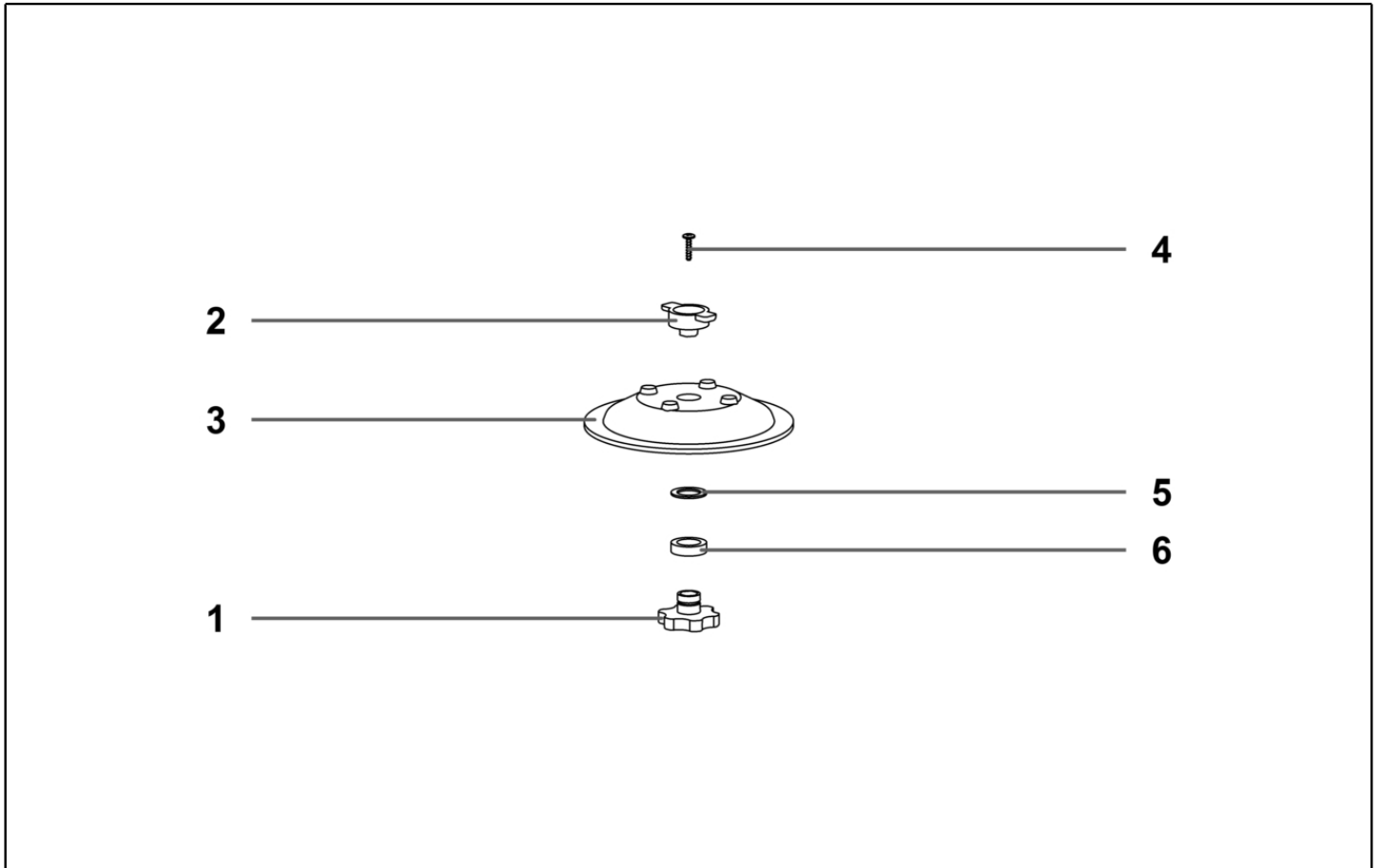




Ref. K	Part n.	Part n. 2	Description	Quantity	Validity		Price
					From	To	
0001	LAFN28238		AL-PLAST.TUBE D.36 MT.0,50	1,00			--
0001	LAFN28238		AL-PLAST.TUBE D.36 MT.0,50	1,00			--



Ref. K	Part n.	Part n. 2	Description	Quantity	Validity		Price
					From	To	
0001	GUVR40078		GASKET H3 DS50 W/ANTIFOAM BODY	1,00			--
0001	GUVR40078		GASKET H3 DS50 W/ANTIFOAM BODY	1,00			--



Ref. K	Part n.	Part n. 2	Description	Quantity	Validity		Price
					From	To	
0001	MPVR07254		KNOB RAPID ATTACK	1,00			--
0002	MPVR07253		HOOKING RAPID ATTACK	1,00			--
0003	MPVR06630		DISC FILTER SUPPORT	1,00			--
0004	VTVT71961		SCREW PFU TMT PHL 5X20 ZN NERA	1,00			--
0005	VTRS00418		WASHER P.P. 30X20X1,5	1,00			--
0006	VTRS00419		WASHER SPONGE RUBBER 30X20X8	1,00			--