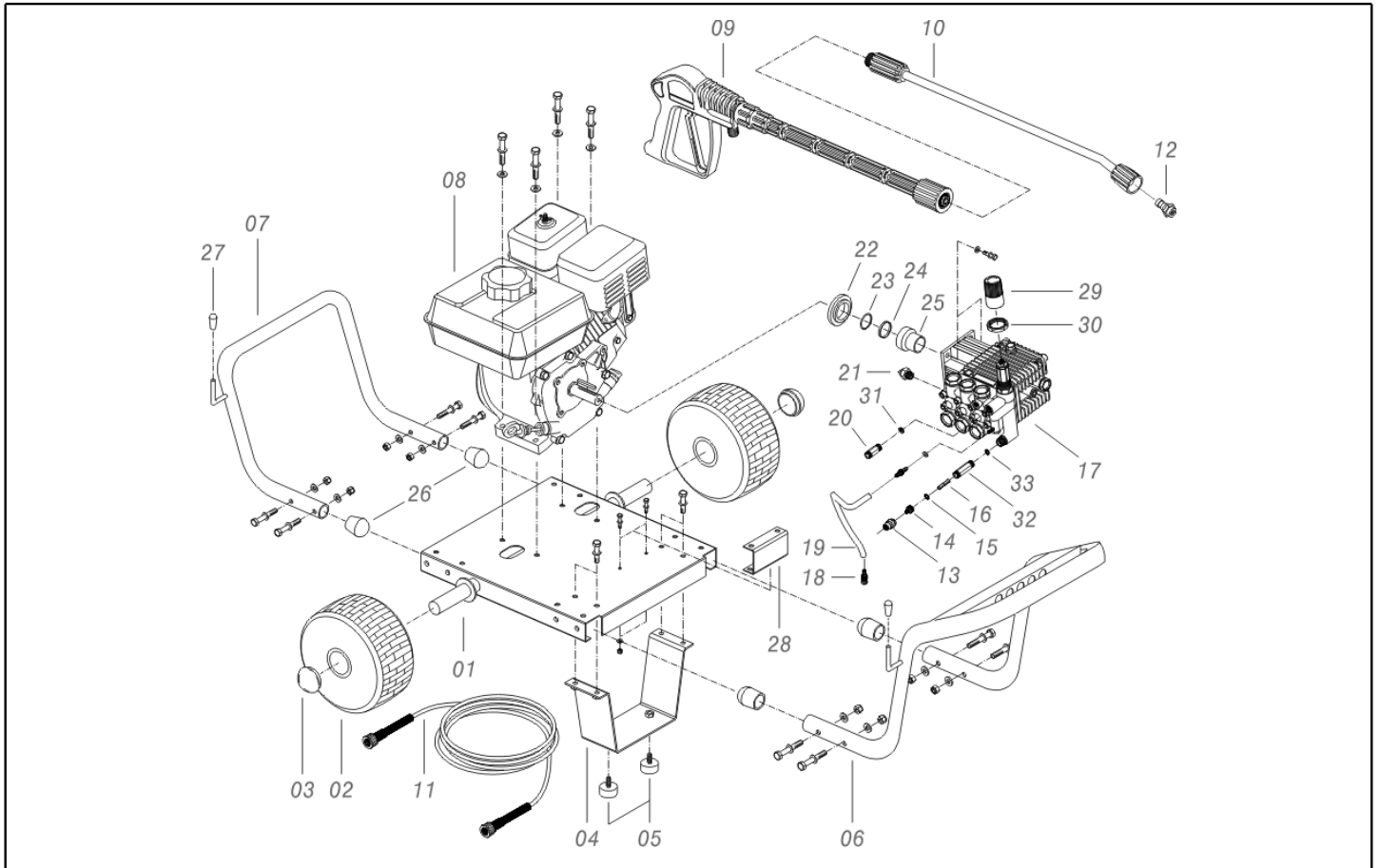


IPC

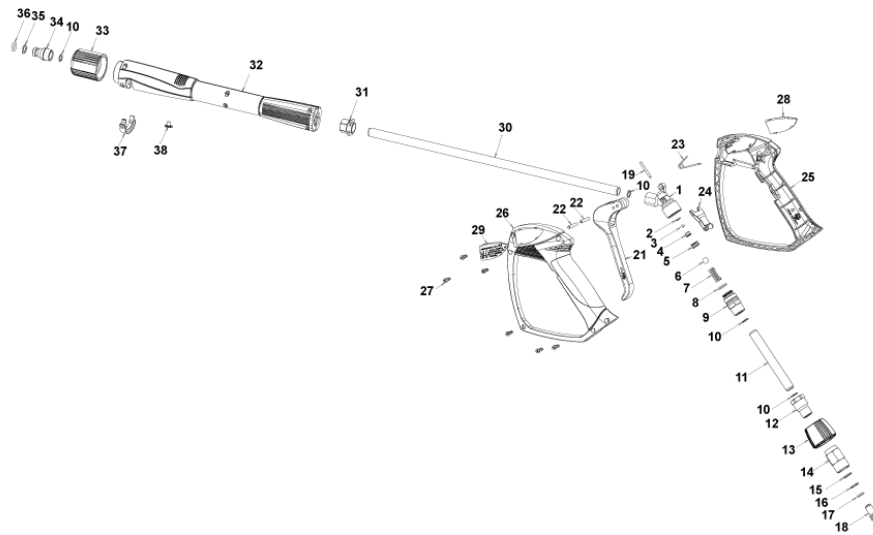
Spare parts list

Ref: IDAF40352

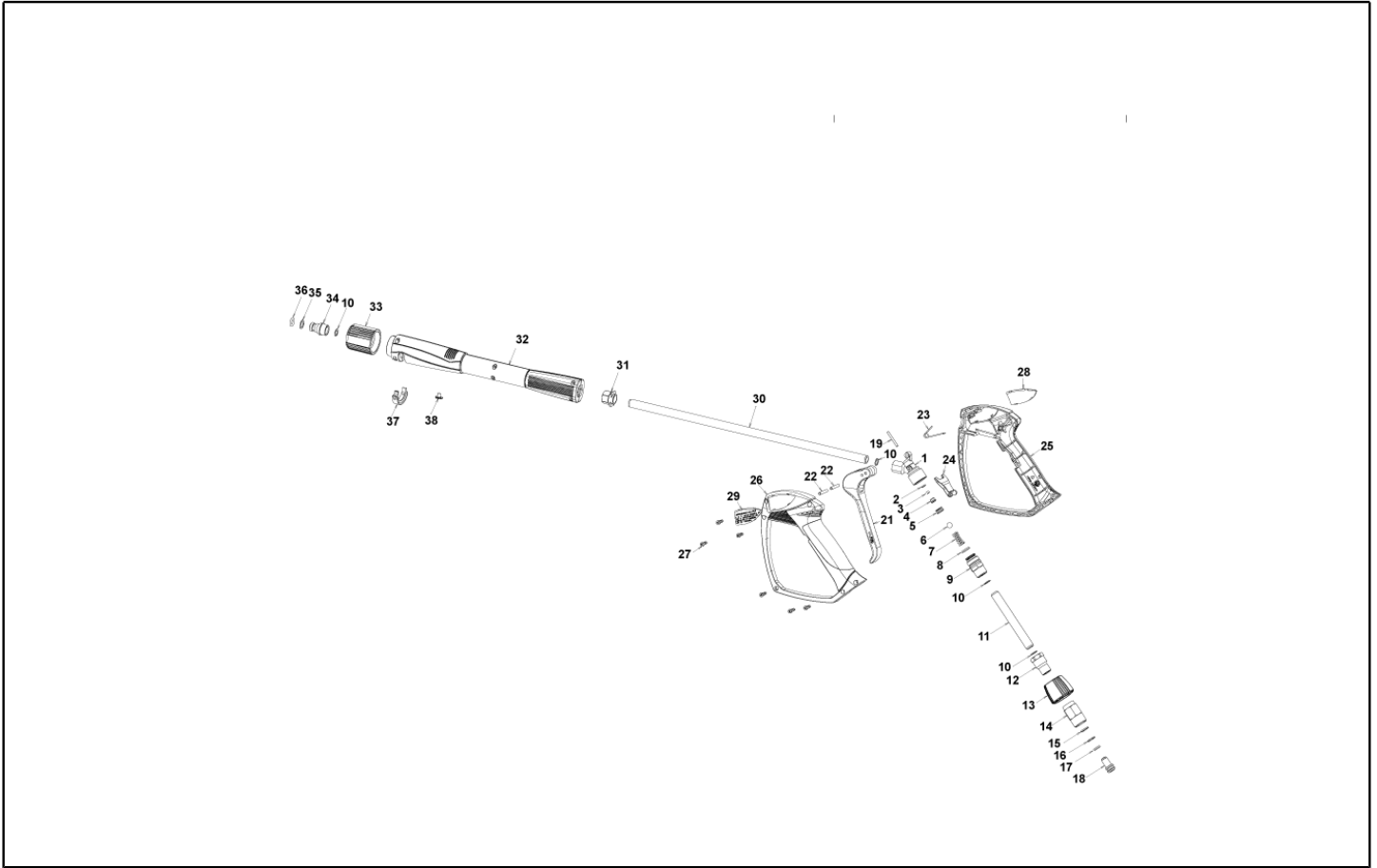
Model: H.P. CLEANER BENZ-C H1811Pi P IPC



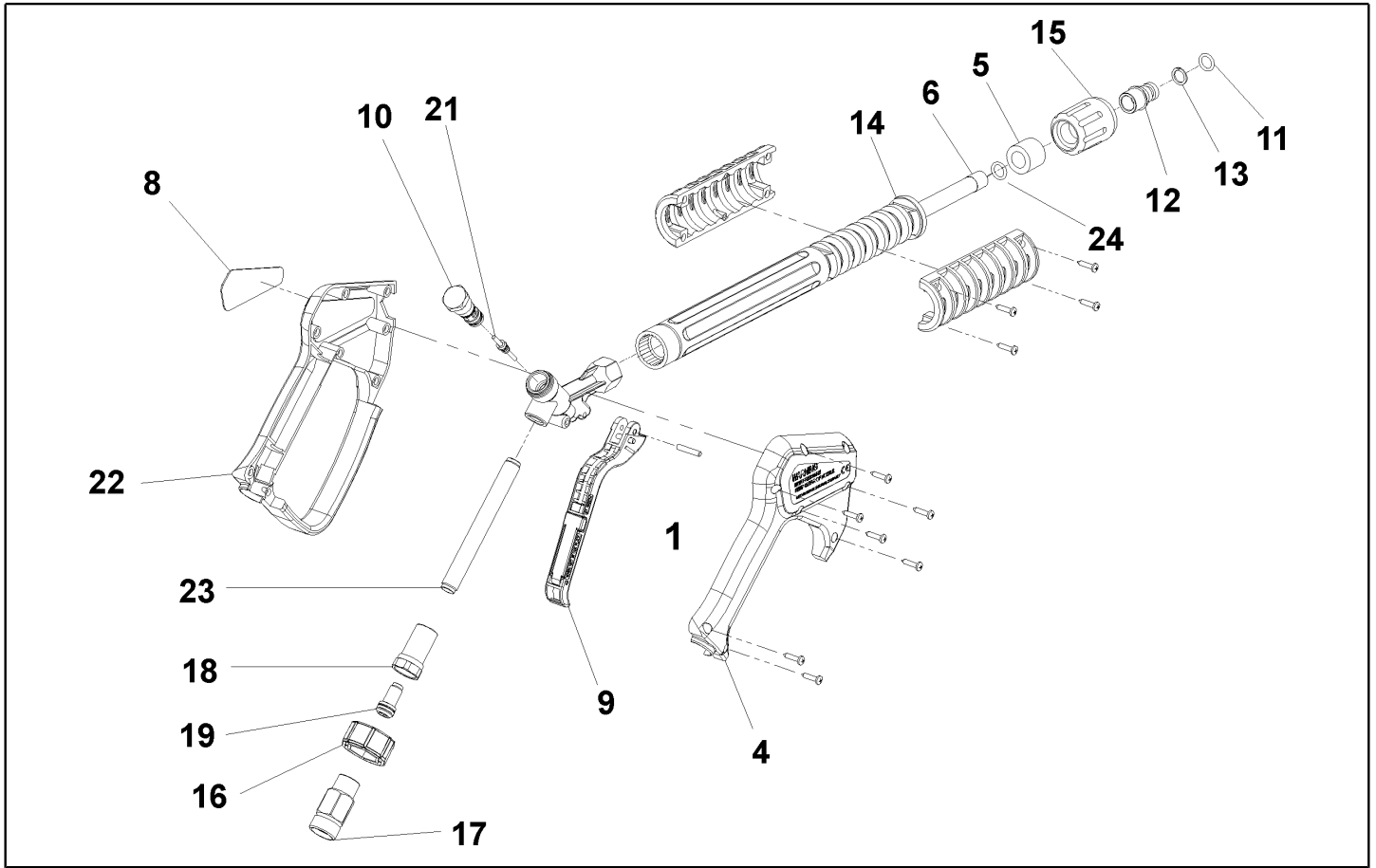
Ref. K	Part n.	Customer part n.	Description	Quantity	Validity		Price
					From	To	
0001	LAFN40180		CHASSIS BENZ HP 6.5	1,00			--
0002	RTRT40007		WHEEL D. 11.4"X 4/4 -D.25 PN.	2,00			--
0003	VTVR01268	00001268	HUB CAP D. 25	2,00			--
0004	LAFN40182		FOOT BENZ HP 6.5	1,00			--
0005	MPVR60726	00060726	VIBRATION DAMP. TCC48X25- 1M8X16 60SH GMM	2,00			--
0006	LAFN40189		HANDLE BENZ HP 6.5	1,00			--
0007	LAFN40184		BUMPER BENZ HP 6.5	1,00			--
0008	MOSC40001		ENGINE MOTOR HONDA GX200UT1 QX-4 OH	1,00			--
0009	IPPR40010		GRIP G 5100+P.330 +M22 SW.M V	1,00	16/04/2014		--
0009	IPPR89429		GRIP G 4500 - P.330 -M22SW.M V	1,00		15/04/2014	--
0010	LCPR40013		EXTENSION P 70 - HYPERJET 1/4F	1,00			--
0011	TBAP25324	00025324	H.P. HOSE R1 MT 10 5/16" C/2 IRV ZC	1,00			--
0012	UGLN49990	00049990	NOZZLE LECH 1/4 25034	1,00			--
0013	RCVR29600	00029600	SOCKET PTC 3/4 F	1,00			--
0014	RCVR29602	00029602	CONNECTOR D. 1/2"-5/8" PTC	1,00			--
0016	FTAC30214	00030214	FILTER D.15X67	1,00			--
0017	PPAP40034		PUMP TT1511 SX C T.IN.2.0 FL/H	1,00			--
0018	FTDT04648	00004648	FILTER PG. D.6 PLS	1,00			--
0019	TBBP00051	00000051	DETERGENT HOSE D. 6-12	1,50			--
0020	RCDS10544	00010544	NIPPLE M22-3/8 M-M D. 3 L=62	1,00			--
0021	VVSC37614	00037614	VALVE 3/8" 63°C	1,00			--
0022	LAFN40213		RING BENZ HP 6.5 AL.	1,00			--
0023	GUGO26964	00026964	O-RING D. 18.72 X 2.62 NBR 90SH	1,00			--
0024	GUGO21339	00021339	O-RING D. 29.82 X 2.62 VIT 70SH	1,00			--
0025	RCDS40061		BUSHING HONDA 6.5HP	1,00			--
0026	MPVR01697	00001697	PROD D.30 1.02.109	4,00			--
0027	MPVR32471	00032471	PROD D. 8 BK	2,00			--
0028	LAFN40190		SUPPORT BRACKET BENZ HP 6.5	1,00			--
0029	PVVR18673	00018673	KNOB COLT	1,00			--
0030	RCDS21788	00021788	RING NUT M 28 X 1.5 L=16	1,00			--
0031	GUGO03507	00003507	O-RING D. 13.95 X 2.62 VIT 70SH	1,00			--
0032	RCDS46109	00046109	NIPPLE 3/4 - 1/2 RYL INX	1,00			--
0033	GUGO01032	00001032	O-RING D. 17.13 X 2.62 NBR 70SH	1,00			--



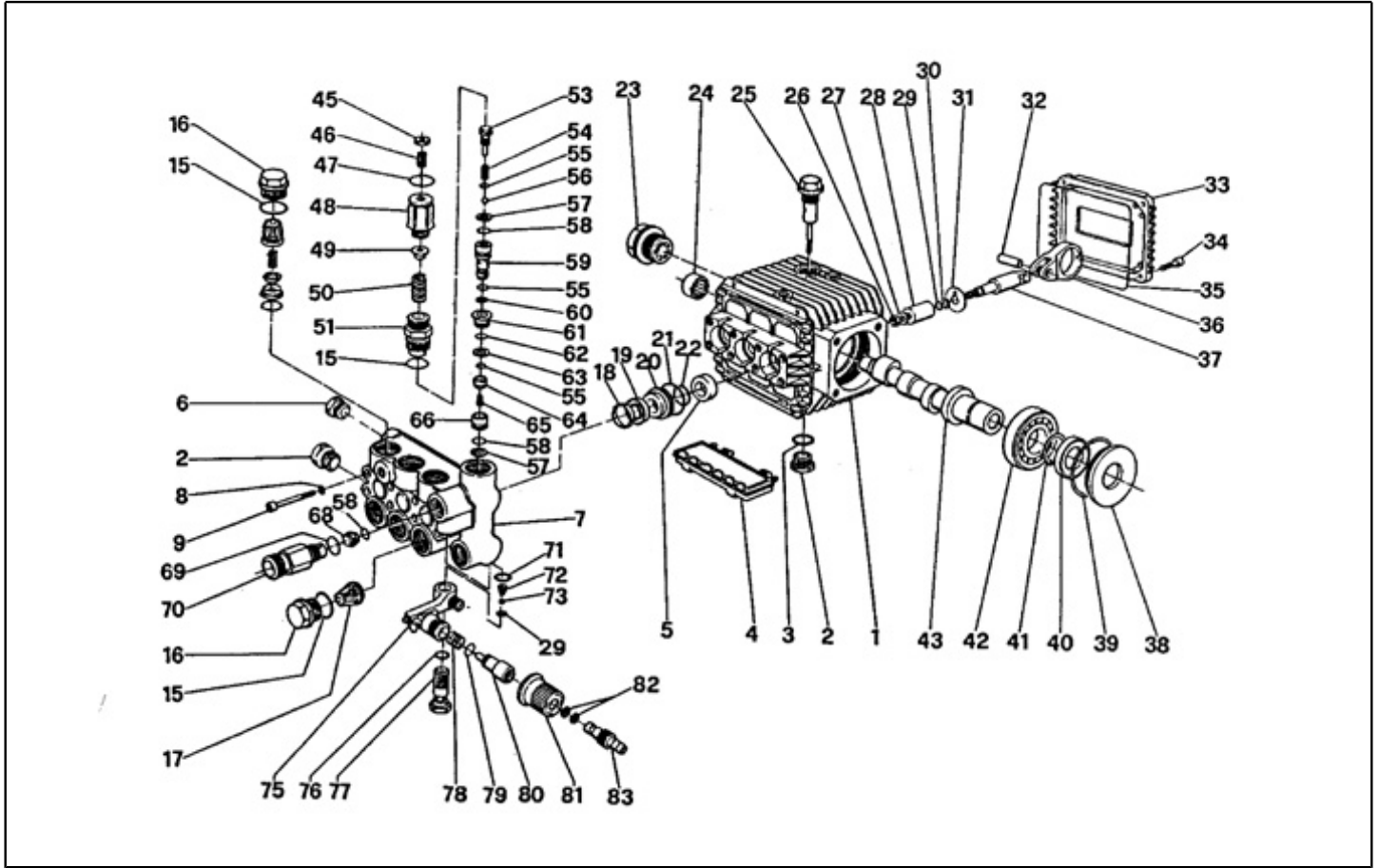
Ref. K	Part n.	Customer part n.	Description	Quantity	Validity		Price
					From	To	
0001	PVVR40381		GUN BODY G 5100 G1/4F	1,00			--
0002	S GUVR40074		ANTI-EXTR.RING D. 3 X 7.4X1.3	1,00			--
0003	S GUGO21835	00021835	O-RING D. 2.84 X 2.62 VIT. 80SH	1,00			--
0004	PVVR40382		PISTON GUIDE G 5100	1,00			--
0005	S PVVR40112		BALL SEAT G 5000	1,00			--
0006	S SFVR27026	00027026	BALL D.11/32" INX	1,00			--
0007	MLML40016		SPRING D. 9.4 x21.5x1.6 G5000	1,00			--
0008	GUGO12322	00012322	O-RING D. 14 X 1.78 NBR 90SH	1,00			--
0009	PVVR40383		CONNECTOR COLL.G5100 1/4F	1,00			--
0010	VTRS40017		WASHER D. 8.2X11,4X1.00	4,00			--
0011	PVVR40384		TUBE G 1/4" L.105	1,00			--
0012	RCIN40022		CONNECTOR SWIV G5100 1/4F	1,00			--
0013	MPVR40486		RING NUT G 5100 SW. GR.	1,00			--
0014	RCIN40021		JOINT SWIV 5100 M22	1,00			--
0015	S GUVR40075		ANTI-EXTR.RING D. 10 X14X1.5	1,00			--
0016	S GUVR40076		ANTI-EXTR.RING D. 11.2X14X1.2	1,00			--
0017	S GUGO15295	00015295	O-RING D. 10.82 X 1.78 VIT 75SH	1,00			--
0018	PVVR40386		SCREW SW. G 5100	1,00			--
0019	PVVR40387		SMALL PISTON G 5100	1,00			--
0021	MPVR40487		TRIGGER G 5100-SW	1,00			--
0022	VTVR40047		PLUG D. 4X29	2,00			--
0023	MLML40029		SPRING G 5100	1,00			--
0024	MPVR40488		SAFETY-DEVICE G 5100-SW	1,00			--
0025	MPVR40489		SHELL G 5100-SW DX	1,00			--
0026	MPVR40490		SHELL G 5100-SW SX	1,00			--
0027	VTVT40043		SCREW AF 4X 14 HILO ZN.N	6,00			--
0028	MPVR40491		PLATE G 5100 GR.DX	1,00			--
0029	MPVR40492		PLATE G 5100 GR.SX	1,00			--
0030	LCPR40086		TUBE 1/4 L=420 ZC. 0°	1,00			--
0031	MPVR40493		CONNECTOR G 5100-SW	1,00			--
0032	MPVR40494		PROTECTION P 420 C/AN.	1,00			--
0033	PVVR40119		CONNECTION M22X1.5 IRV G5000	1,00			--
0034	RCIN40009		GUDGEON G 1/4 F IRV G5000	1,00			--
0035	GUVR40034		ANTI-EXTR.RING D. 10 X14	1,00			--
0036	GUGO01946	00001946	O-RING D. 9.13 X 2.62 VIT 70SH	1,00			--
0037	MPVR40495		CAP G 5100 REM.	1,00			--
0038	MPVR40198		CAP G 5000	1,00			--



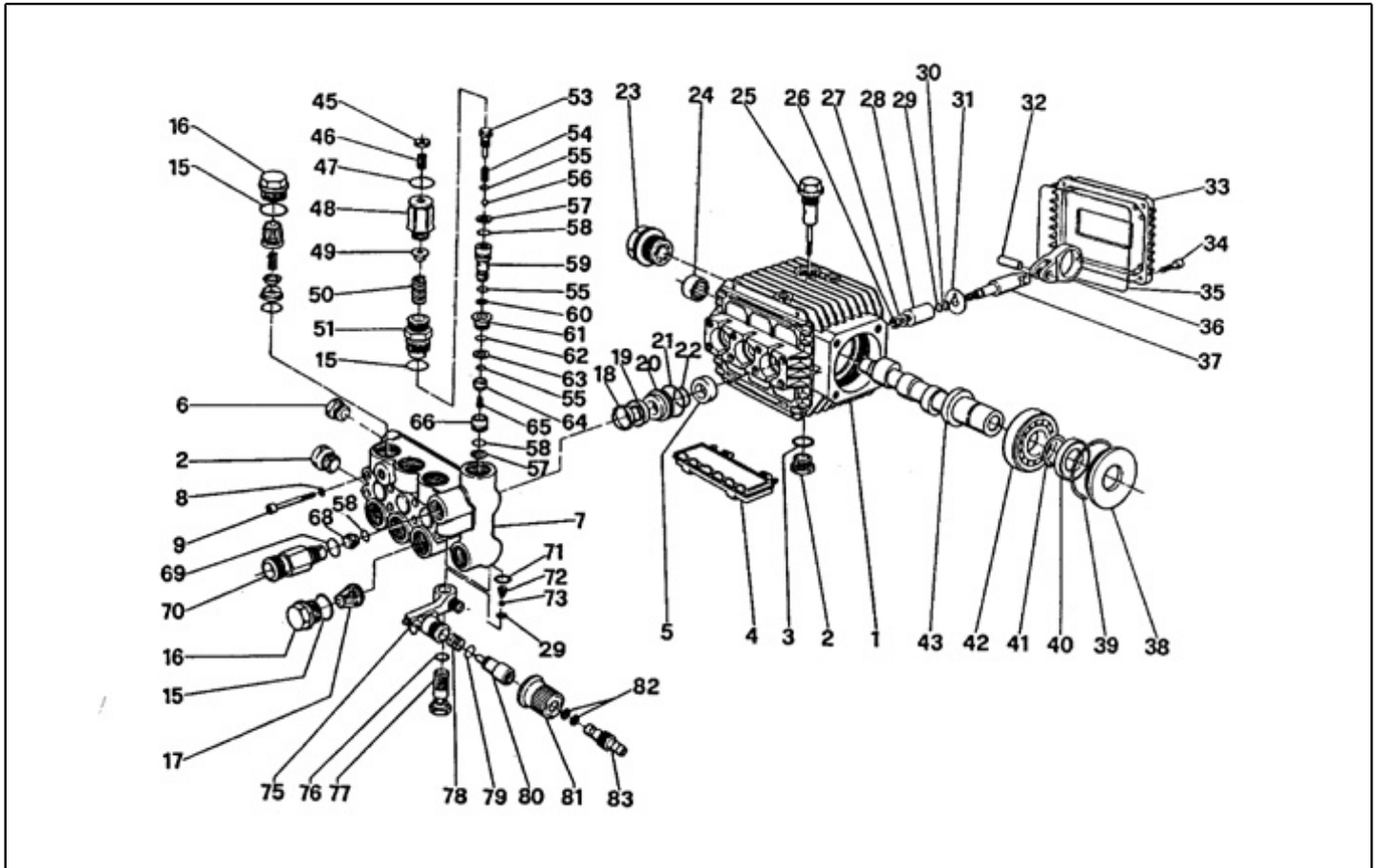
Ref. Part n.	Cust. part n.	Description	Reference	Price
KTRI40242		KIT P 26- 25 G 5100	0002 0003 0005 0006	--
KTRI40243		KIT P 26- 26 SWIVEL G 5100	0015 0016 0017	--



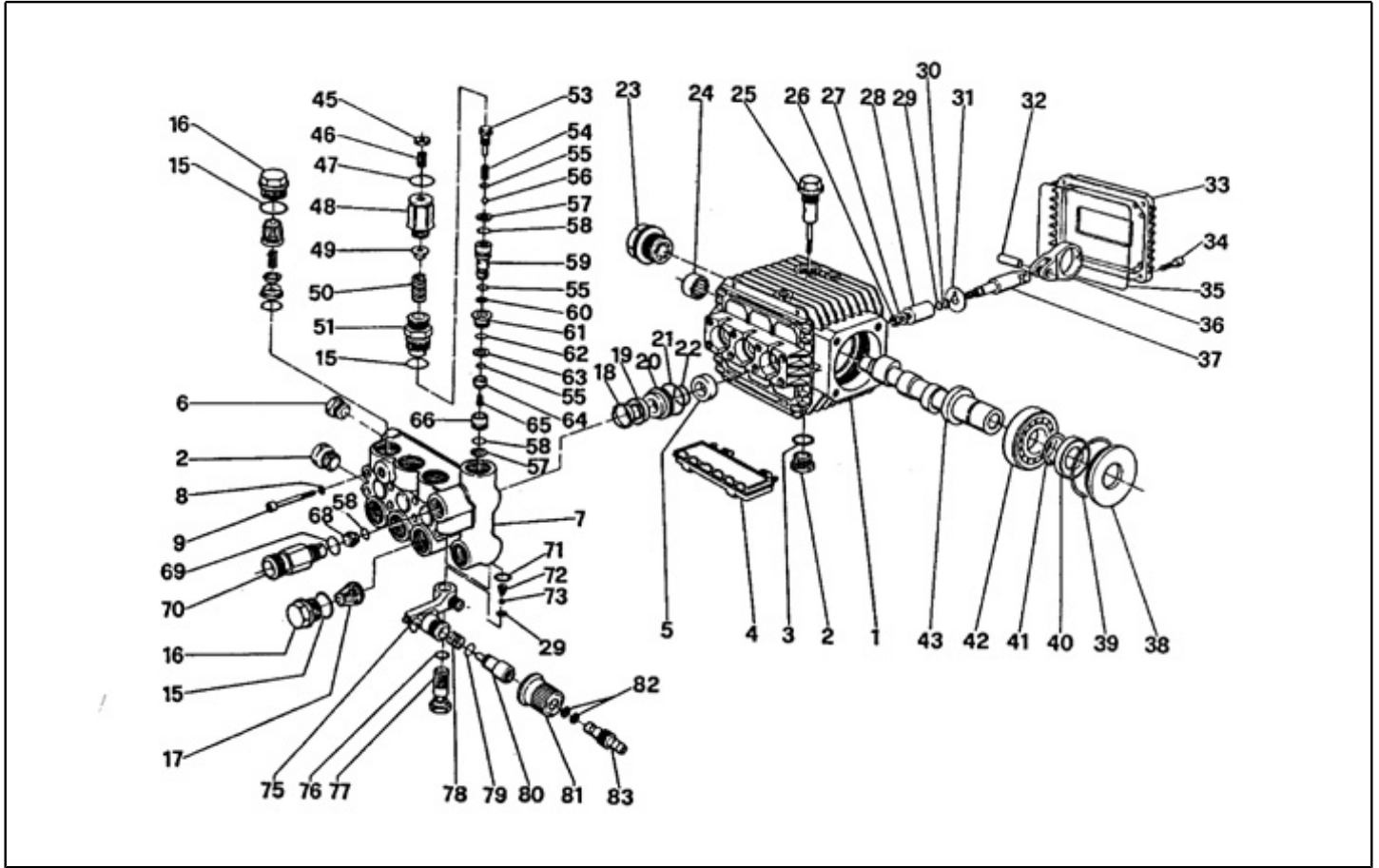
Ref. K	Part n.	Customer part n.	Description	Quantity	Validity		Price
					From	To	
0001	VTVR46568	00046568	PLUG G 4500	1,00			--
0004	MPVR46563	00046563	COVER G 4500	1,00		30/04/2008	--
0004	MPVR40157		COVER G 4500 2V.	1,00	01/05/2008		--
0005	MPVR46572	00046572	SPACER P 330 ST	1,00			--
0006	LCPR46571	00046571	TUBE 1/4 L=352 ZC.	1,00		30/04/2008	--
0006	LCPR40007		TUBE 1/4 L=352 ZC. 2V.	1,00	01/05/2008		--
0008	MPVR46569	00046569	PLATE G 4500 RD.	1,00			--
0009	MPVR40057		TRIGGER G 4500 -SW	1,00			--
0010	PVVR40030		SMALL PISTON TM ST-2300	1,00			--
0011	GUGO10384	00010384	O-RING D. 10 X 2.2 VIT 80SH	1,00			--
0012	RCVR13030	00013030	GUDGEON G 1/4 F L=31.5	1,00			--
0013	GUVR10526	00010526	ANTI-EXTR.RING D.13.9X10.2 C.BZ	1,00			--
0014	MPVR46570	00046570	PROTECTION P 330 ST	1,00			--
0015	PVVR13445	00013445	CONNECTION M 22X1,5 L=45	1,00			--
0016	MPVR40058		RING NUT G4500 SW.	1,00			--
0017	RCIN40001		JOINT SWIV 4500 3/8" F	1,00		30/04/2008	--
0017	RCIN40005		JOINT SWIV 4500 3/8" F 2V.	1,00	01/05/2008		--
0018	RCIN31641	00031641	CONNECTOR SWIV 1500 F	1,00			--
0019	KTRI31645	00031645	KIT P 26- 14	1,00			--
0021	PVVR40031		ROD ST-2300	1,00			--
0022	MPVR46562	00046562	SHELL G 4500	1,00		30/04/2008	--
0022	MPVR40156		SHELL G 4500 2V.	1,00	01/05/2008		--
0023	PVVR40023		TUBE G 1/4" M/M P/SW.	1,00			--
0024	GUGO27021	00027021	O-RING D. 11 X 2.5 EPD 70SH	1,00	01/05/2008		--



Ref. K	Part n.	Customer part n.	Description	Quantity	Validity		Price
					From	To	
0001	MFVR12641	00012641	PUMP CRANKCASE WW 90B - 93B	1,00			--
0002	RCDS01090	00001090	CAP 3/8X13 M WW90	2,00			--
0003	GUGO01035	00001035	O-RING D. 13.95 X 2.62 NBR 70SH	1,00			--
0004	PVVR43778	00043778	PROTECTION WW S.51	1,00			--
0005	S GUGO09690	00009690	OIL SEAL 15X 24X 5 NBR70	3,00			--
0006	RCDS01088	00001088	CAP 1/4X 9 M WW90	1,00			--
0007	MFVR18931	00018931	HEAD WW 90 OT. V.INT. D.15	1,00			--
0008	VTRS01077	00001077	WASHER D. 6,4X10X0,7	12,00			--
0009	VTVT06236	00006236	SCREW TCCE UNI 5931 6X40 ZB	8,00			--
0015	S GUGO01033	00001033	O-RING D. 20.24 X 2.62 NBR 90SH	7,00			--
0016	RCDS43779	00043779	CAP M 24X1,5X11,2 WW	6,00			--
0017	S VVAM28467	00028467	VALVE UNIT "44" WW136-186	6,00			--
0018	S PVVR09327	00009327	HEAD RING D. 15	3,00			--
0019	S GUVR09324	00009324	PACKING D. 15 TURBO	3,00			--
0020	S PVVR09687	00009687	PACKING RETAIN. D. 15 BJ	3,00			--
0021	S GUGO03506	00003506	O-RING D. 25.12 X 1.78 NBR 70SH	3,00			--
0022	S GUGO01054	00001054	O-RING D. 15.08 X 2.62 NBR 70SH	3,00			--
0023	PVVR01083	00001083	OIL INDICATOR G 3/4 W70-151	1,00			--
0024	CUVR09639	00009639	ROLLER BEARING BK 1516V	1,00			--
0025	PVVR01089	00001089	OIL DIPSTICK W 70	1,00			--
0026	VTDD04284	00004284	NUT M8X1,25 X13X5 S2 INX	3,00			--
0027	VTRS09321	00009321	WASHER D. 8X13X1	3,00		29/07/2002	--
0027	VTRS46027	00046027	WASHER D. 8 C/CLL.	3,00	30/07/2002		--
0028	PIVR09641	00009641	PISTON D.15 BJ WH.	3,00			--
0029	GUGO01055	00001055	O-RING D. 5,28 X 1.78 VIT 70SH	3,00			--
0030	GUVR10257	00010257	ANTI-EXTR.RING WW161	3,00			--
0031	VTRS09320	00009320	WASHER D. 9X23X0,5	3,00			--
0032	PVVR09646	00009646	GUDGEON D. 8X24,5 BJ	3,00			--
0033	MFVR09643	00009643	CRANKASE COVER BJ	1,00			--
0034	VTVT01115	00001115	SCREW TCEI 6X18	4,00			--
0035	GUGO27617	00027617	O-RING D. 88.57 X 2.62 NBR 70SH	1,00			--
0036	BLVR43780	00043780	CONNECTING ROD WW S.51	3,00			--
0037	PVVR09642	00009642	PISTON GUIDE BJ	3,00			--
0038	MFVR03565	00003565	SPACER W 70	1,00			--
0039	GUGO01040	00001040	O-RING D. 55.56 X 3.53 NBR 70SH	1,00			--
0040	GUGO12643	00012643	OIL SEAL 30X 42X 7 NBR70	1,00			--
0041	VTAE12644	00012644	CIRCLIP ESTERNO DIN 471 D.30	1,00			--
0042	CUVR12645	00012645	BALL BEARING 6206	1,00			--
0043	ALMO40002		SHAFT WW "C" C.6.6 D.18	1,00			--
0045	VTDD09708	00009708	NUT M 8 UNI 5589	1,00			--
0046	VTVT20196	00020196	SCREW EI-ST 8X20 UNI5923	1,00			--
0047	GUGO01057	00001057	O-RING D. 20.35 X 1.78 NBR 70SH	1,00			--
0048	PVVR18672	00018672	REGISTER COLT	1,00			--
0049	PVVR11656	00011656	SPRING PLATE W1	1,00			--



Ref. K	Part n.	Customer part n.	Description	Quantity	Validity		Price
					From	To	
0050	MLML11655	00011655	SPRING D.15X35	1,00			--
0051	S PVVR18671	00018671	BUSHING COLT	1,00			--
0053	S PVVR18670	00018670	LIMIT SWITCH COLT	1,00			--
0054	S MLML20195	00020195	SPRING D. 6.1X19	1,00			--
0055	S GUGO03497	00003497	O-RING D. 6.75 X 1.78 VIT 80SH	3,00			--
0056	S SFVR12904	00012904	BALL D. 9/32 W1 INX	1,00		31/03/2009	--
0056	S PVVR89063		COUPLING V.INT. "H"	1,00	01/04/2009		--
0057	S GUVR11651	00011651	ANTI-EXTR.RING D. 10.6X15X2	2,00			--
0058	S GUGO03501	00003501	O-RING D. 9.92 X 2.62 VIT 70SH	2,00			--
0059	S PVVR18669	00018669	CONTROL PISTON COLT	1,00			--
0060	S GUVR04309	00004309	ANTI-EXTR.RING HM	2,00			--
0061	S PVVR11653	00011653	VALVE GUIDE CONTROL SET W1	2,00			--
0062	S GUGO11652	00011652	O-RING D. 12.42 X 1.78 NBR 70SH	1,00			--
0063	S GUVR11650	00011650	ANTI-EXTR.RING CONTROL SET W1	1,00			--
0064	S PVVR18668	00018668	VALVE CLT	1,00			--
0065	S VTVT18667	00018667	SCREW M 5X0,8X7,5	1,00			--
0066	S PVVR12887	00012887	VALVE SEAT CONTROL SET W1	1,00			--
0068	UGEI09840	00009840	NOZZLE D. 2.0 OT58	1,00			--
0069	GUGO03507	00003507	O-RING D. 13.95 X 2.62 VIT 70SH	1,00			--
0070	RCDS10544	00010544	NIPPLE M22-3/8 M-M D. 3 L=62	1,00			--
0071	GUGO03496	00003496	O-RING D. 9.25 X 1.78 NBR 70SH	1,00			--
0072	MLML04264	00004264	SPRING D. 4.3X11X7.3 KR	1,00			--
0073	SFVR04274	00004274	BALL D. 7/32	1,00			--
0075	PVVR18713	00018713	METERING. BODY COLT	1,00			--
0076	GUGO01036	00001036	O-RING D. 10.82 X 1.78 NBR 70SH	1,00			--
0077	PVVR09709	00009709	VALVE SEAT KR	1,00			--
0078	MLML03616	00003616	SPRING D. 9.75X10	1,00			--
0079	GUGO19398	00019398	O-RING D. 8.73 X 1.78 VIT 70SH	1,00			--
0080	PVVR09711	00009711	COUPLING KR	1,00			--
0081	PVVR09712	00009712	KNOB KR P33	1,00			--
0082	GUGO08071	00008071	O-RING D. 4.48 X 1.78 NBR 70SH	2,00			--
0083	RCIN09713	00009713	COUPLING KR	1,00			--



Ref. Part n.	Cust. part n.	Description	Reference	Price
KTRI18651		KIT P 83	0005	--
KTRI18654		KIT P 15- 86	0020 0021 0022	--
KTRI20717		KIT P 15-102P SF.ACC.	0051 0053 0054 0055 0056 0057 0058 0059 0060 0061 0062 0063 0064 0065 0066	--
KTRI21664		KIT P 96	0018 0019 0020 0021 0022	--
KTRI21665		KIT P 97	0018 0019 0021 0022	--
KTRI28508		KIT P 15-123	0017	--
KTRI18655		KIT P 102	0051 0053 0054 0055 0056 0057 0058 0059 0060 0061 0062 0063 0064 0065 0066	--