

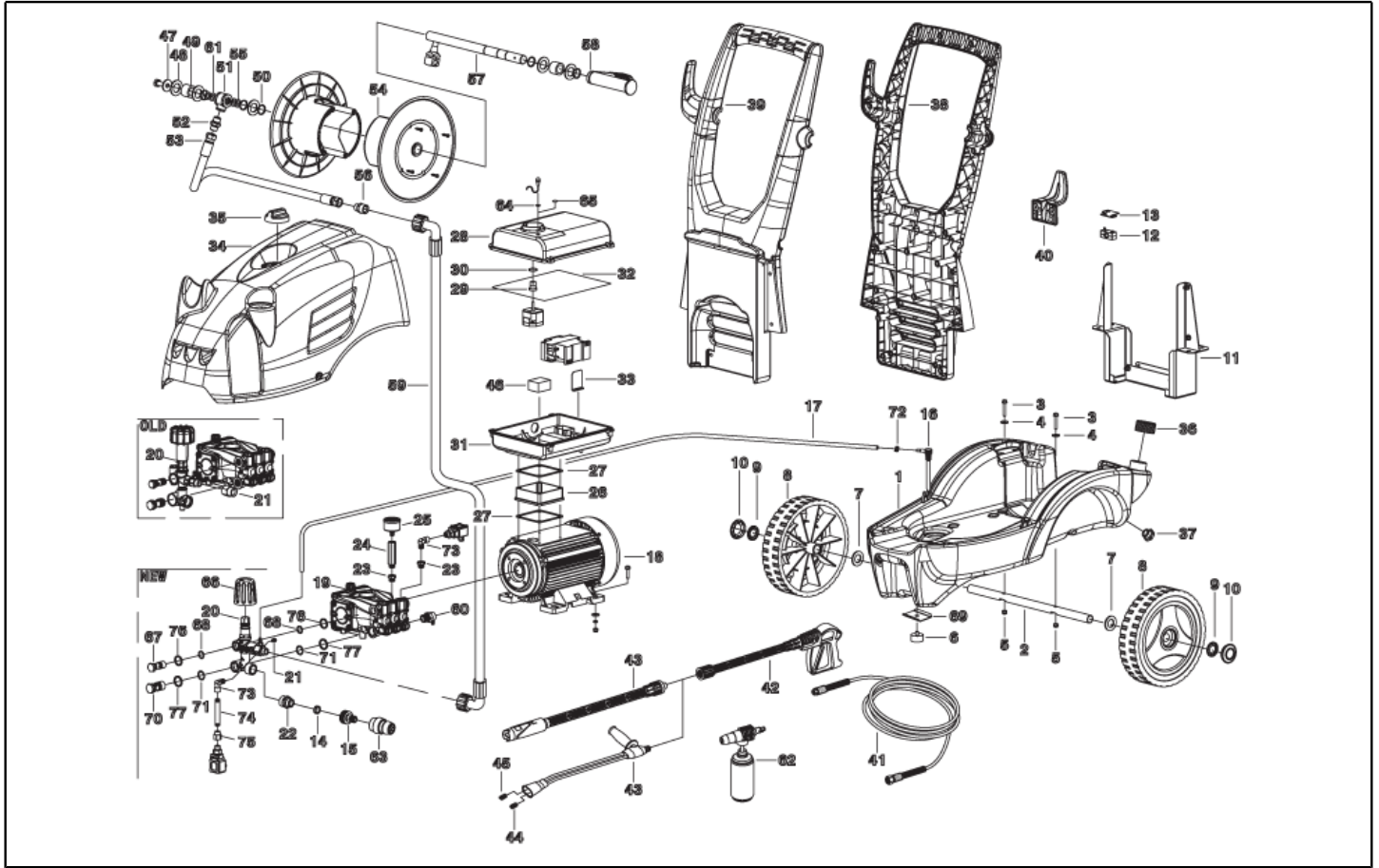


**IPC**

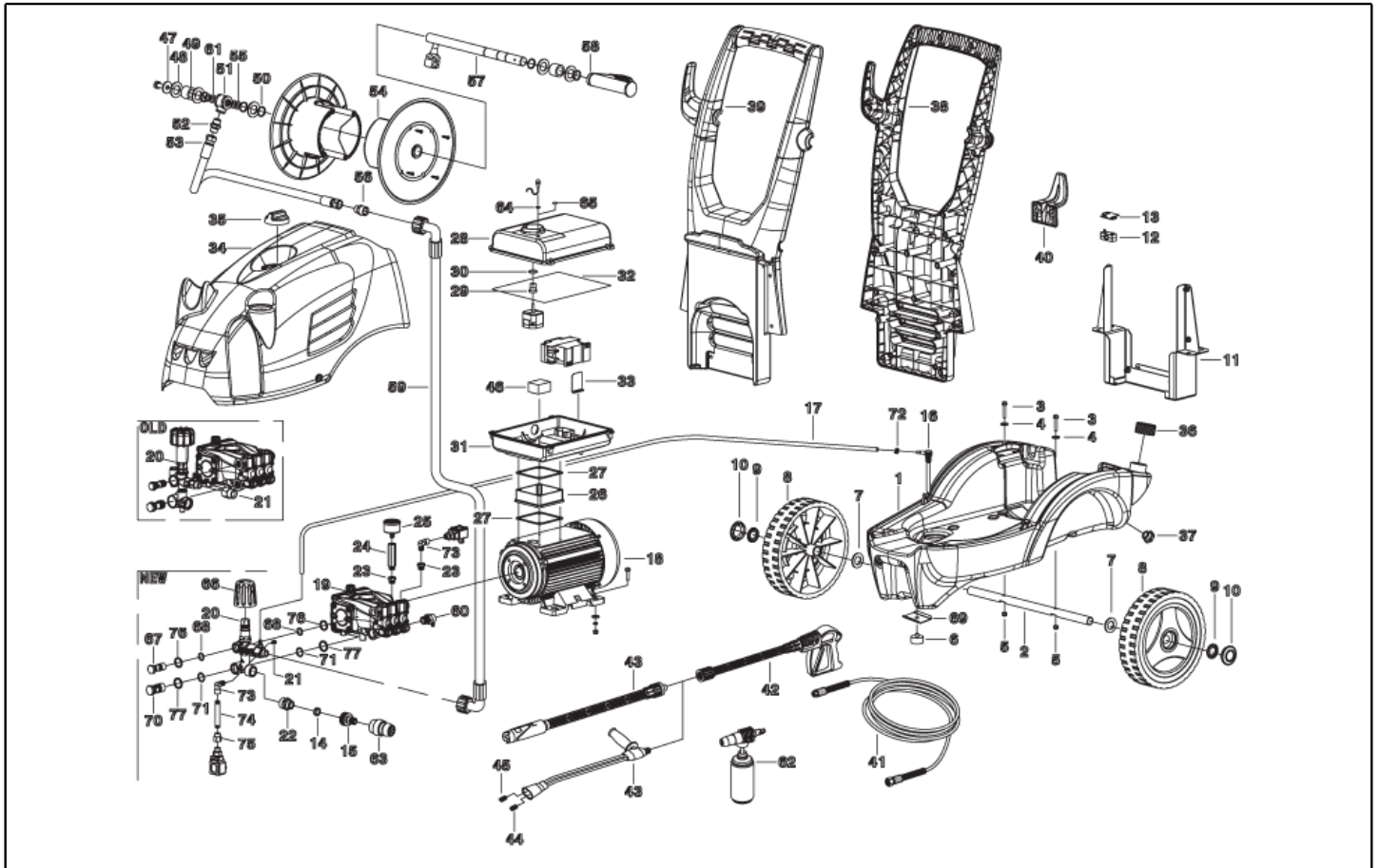
**Spare parts list**

Ref: IDAF40244

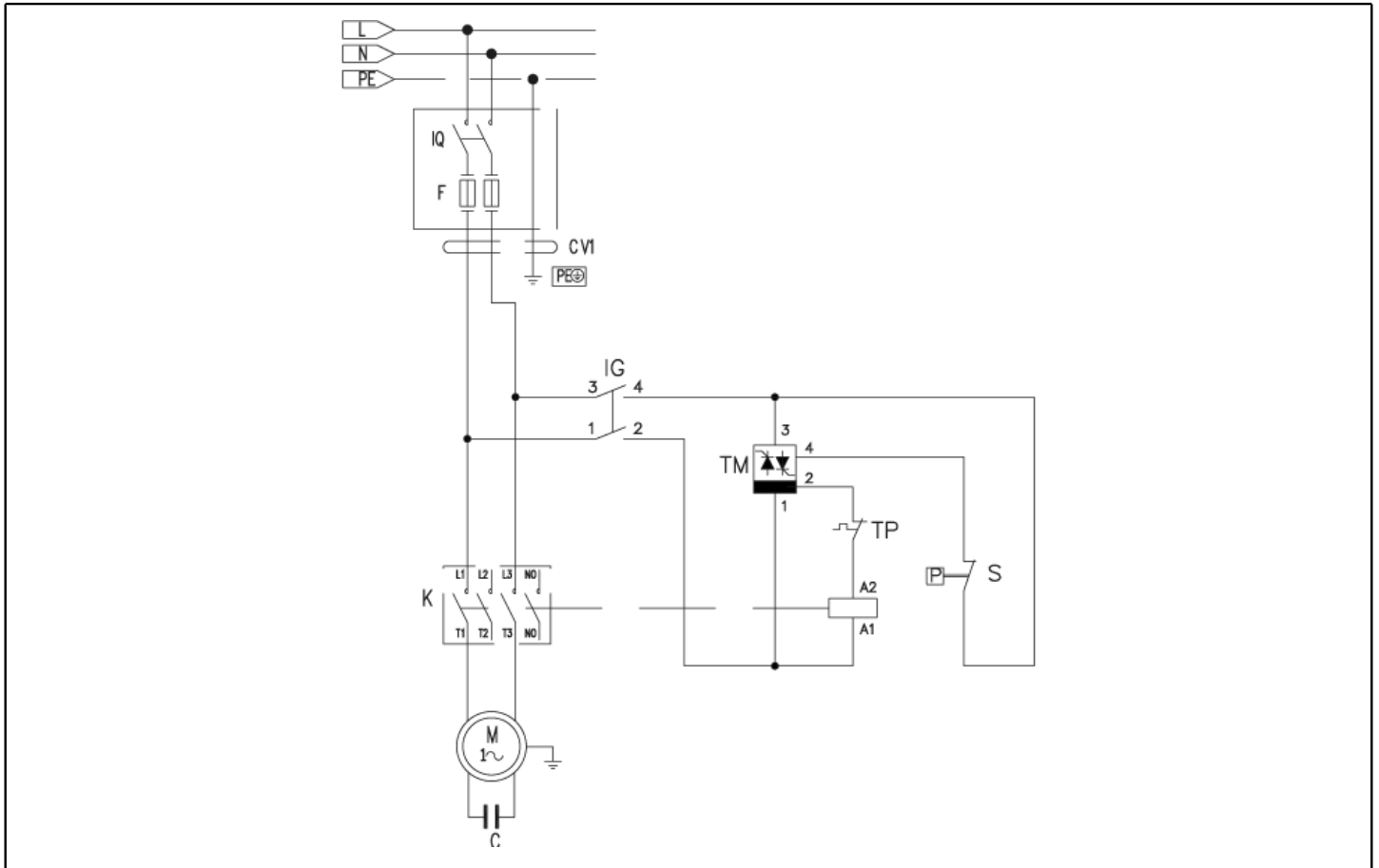
Model: H.P. CLEANER PW-C40P D1112P4 M230/50IP



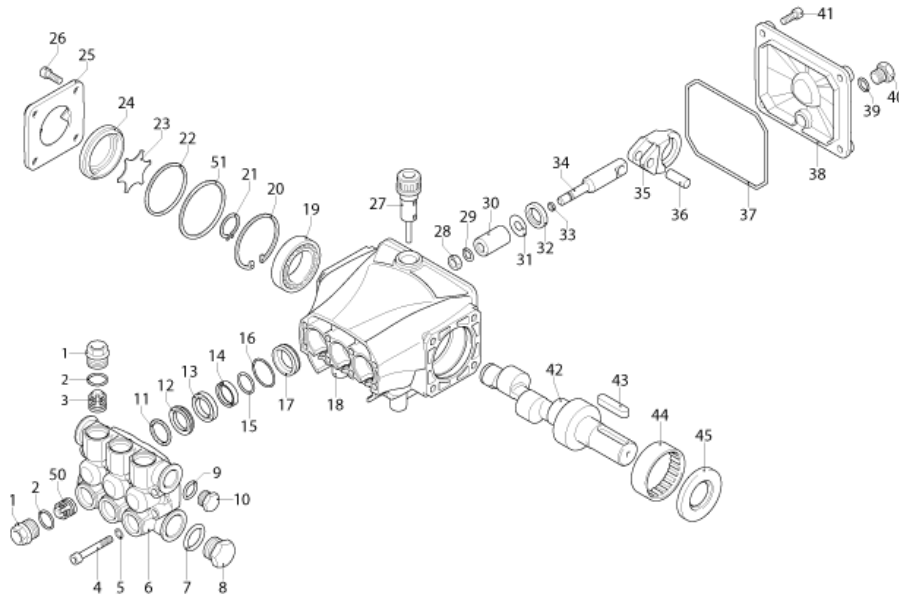
| Ref. K | Part n.   | Customer part n. | Description                            | Quantity | Validity   |            | Price |
|--------|-----------|------------------|--|----------|------------|------------|-------|
|        |           |                  |  |          | From       | To         |       |
| 0001   | MPVR40329 |                  | CHASSIS PW-C40 PEHD BK                 | 1,00     |            |            | --    |
| 0002   | LAFN40450 |                  | TROLLEY AXLE PW-C40 D.20 ZC.           | 1,00     |            |            | --    |
| 0003   | VTRS13945 | 00013945         | WASHER D. 6X18 INX UNI 6593            | 2,00     |            |            | --    |
| 0004   | VTVT06242 |                  | SCREW TE M 6X 35 F/RD.ZN               | 2,00     |            |            | --    |
| 0005   | VTDD00491 | 00000491         | NUT M 6 TEF                            | 2,00     |            |            | --    |
| 0006   | ABGO40000 |                  | VIBRATION DAMP. 30X15- 1M8X 8 60SH GMn | 1,00     |            |            | --    |
| 0007   | VTRS00509 | 00000509         | WASHER D.20 PIANA Z. UNI6592           | 2,00     |            |            | --    |
| 0008   | RTRT40019 |                  | WHEEL D.250-D.20X 58 RES BK.           | 2,00     |            |            | --    |
| 0009   | VTRS28558 | 00028558         | WASHER D.20                            | 2,00     |            |            | --    |
| 0010   | MPVR40343 |                  | BLACK CAP D.50 G-48 BK.                | 2,00     |            |            | --    |
| 0011   | LAFN40456 |                  | BRACKET PW-C40 BK.                     | 1,00     |            |            | --    |
| 0012   | LAFN40457 |                  | SUPPORT PW-C40                         | 1,00     | 10/09/2013 |            | --    |
| 0013   | MEVR20906 | 00020906         | CABLE CLAMP KSM                        | 1,00     | 10/09/2013 |            | --    |
| 0014   | FTDT12702 | 00012702         | FILTER PA                              | 1,00     |            |            | --    |
| 0015   | RCVR29600 | 00029600         | SOCKET PTC 3/4 F                       | 1,00     |            |            | --    |
| 0016   | RCDS40110 |                  | SUCTION L= 110 -2 O-RING               | 1,00     |            |            | --    |
| 0017   | TBBP62474 | 00062474         | L.P. HOSE D. 7-10 CR.                  | 0,50     |            |            | --    |
| 0018   | MOMO40042 |                  | 1PH MOTOR C40/AC HP 3 230-50 4P-k      | 1,00     | 10/09/2013 |            | --    |
| 0019   | PPAP40055 |                  | PUMP RC 12.17 DX N                     | 1,00     |            |            | --    |
| 0020   | VVAZ40022 |                  | VALVE AR M.MATIC 4/B-RC+TS/I.ET        | 1,00     |            |            | --    |
| 0021   | RCIN03753 | 00003753         | MALE COUPLING M22-3/8 M-FA             | 1,00     |            |            | --    |
| 0022   | RCDS87610 | 00087610         | NIPPLE 3/4 - 1/2 CB D.13.0             | 1,00     |            |            | --    |
| 0023   | PVVR40183 |                  | CAP AR RC C/F. 1/8F+OR                 | 1,00     |            |            | --    |
| 0024   | RCDS40111 |                  | COLUMN M-F 1/8 L=65 MM OT.             | 1,00     |            |            | --    |
| 0025   | MNMN18650 | 00018650         | PRESSURE GAUGE 0-300 D.40              | 1,00     |            |            | --    |
| 0026   | MPVR13033 | 00013033         | SPACER SIC H90                         | 1,00     |            |            | --    |
| 0027   | GUGO10881 | 00010881         | GASKET M.E.L. 73X73                    | 1,00     |            |            | --    |
| 0027   | GUGO10881 | 00010881         | GASKET M.E.L. 73X73                    | 1,00     | 10/09/2013 |            | --    |
| 0028   | MPVR40335 |                  | BOX COVER PW-C40 ABS BK.               | 1,00     | 10/09/2013 |            | --    |
| 0029   | MPVR23482 | 00023482         | SWITCH TANG TEC. TUV                   | 1,00     | 10/09/2013 |            | --    |
| 0030   | GUGO25527 | 00025527         | O-RING D. 14 X 3 NBR 70SH              | 1,00     | 10/09/2013 |            | --    |
| 0031   | MPVR40334 |                  | CONTROL BOX PW-C4/50 ABS BK.           | 1,00     | 10/09/2013 |            | --    |
| 0032   | GUGO11309 | 00011309         | JOINT MOUSSE D. 3                      | 1,00     |            | 14/10/2011 | --    |
| 0032   | GUGO33675 | 00033675         | JOINT MOUSSE D. 4                      | 0,90     | 10/09/2013 |            | --    |
| 0033   | LAFN40458 |                  | SUPPORT PW-C40 INX                     | 1,00     | 10/09/2013 |            | --    |
| 0034   | MPVR40340 |                  | GREEN COVER PW-C40 PPL V.368C          | 1,00     |            |            | --    |
| 0035   | MPVR49057 | 00049057         | BLACK KNOB P176-M.RACE PA6             | 1,00     |            |            | --    |
| 0036   | MPVR40849 |                  | TANK CAP 1-1/4F C/F.R. d.1.5           | 1,00     | 10/10/2016 |            | --    |
| 0036   | MPVR60848 | 00060848         | TANK CAP 1-1/4F                        | 1,00     |            | 09/10/2016 | --    |
| 0037   | RCVR40046 |                  | CAP 1/4 M OT.NIK EI D. 6               | 1,00     |            |            | --    |
| 0038   | MPVR40331 |                  | HANDLE PW-C4/50 PST. PP BK.            | 1,00     |            |            | --    |
| 0039   | MPVR40332 |                  | HANDLE PW-C4/50 ANT. PP BK.            | 1,00     |            |            | --    |
| 0040   | MPVR80139 | 00080139         | HOSE REEL H110                         | 1,00     | 05/05/2012 |            | --    |
| 0041   | TBAP40062 |                  | H.P. HOSE R1 MT 15 5/16" C/2 IRV ZC    | 1,00     | 26/01/2012 |            | --    |



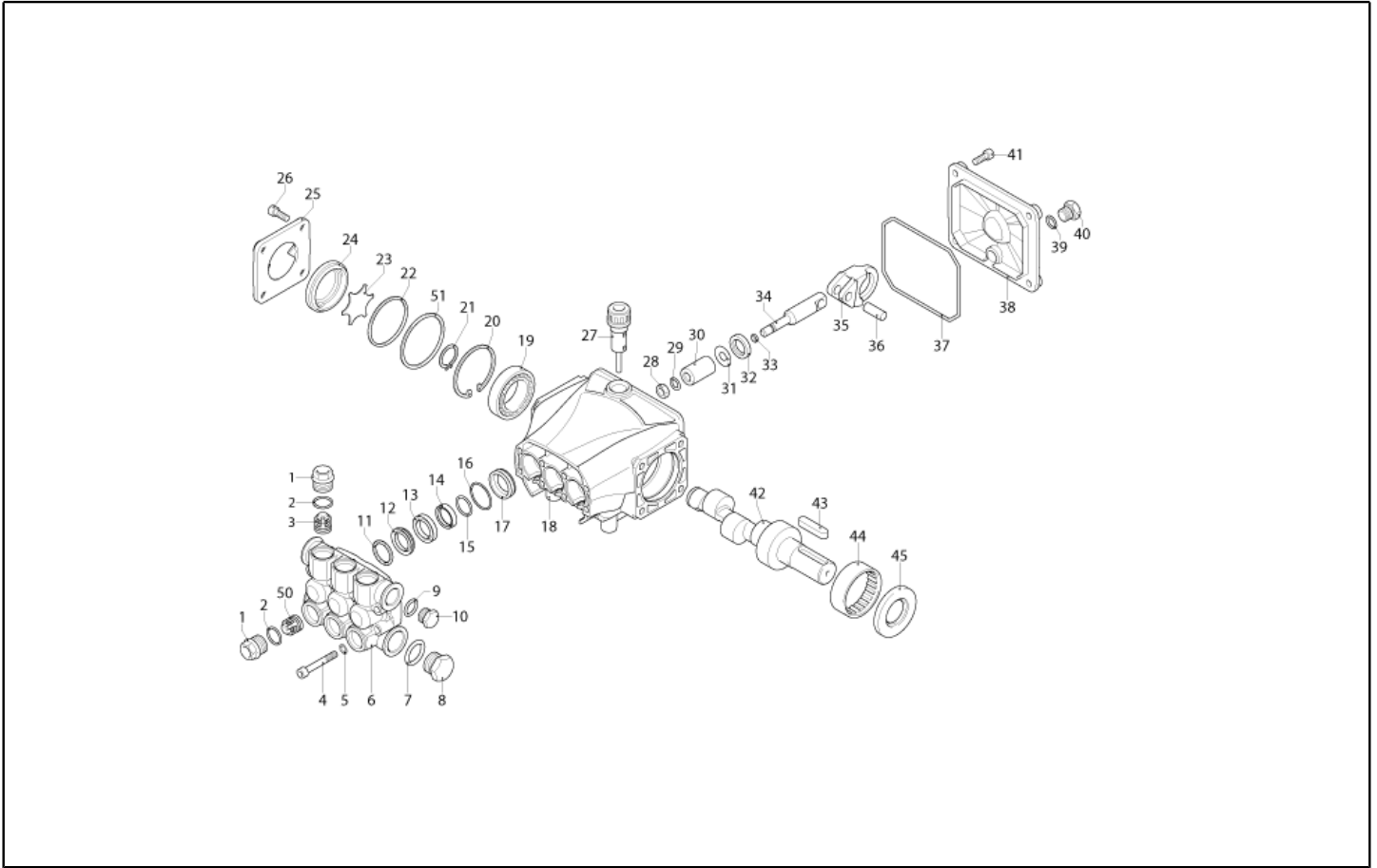
| Ref. K | Part n.   | Customer part n. | Description                            | Quantity | Validity   |            | Price |
|--------|-----------|------------------|--|----------|------------|------------|-------|
|        |           |                  |  |          | From       | To         |       |
| 0041   | TBAP40066 |                  | H.P. HOSE R1 MT 10 5/16" C/2 IRV CN    | 1,00     |            | 25/01/2012 | --    |
| 0042   | IPPR40010 |                  | GRIP G 5100+P.330 +M22 SW.M V          | 1,00     |            | 29/02/2016 | --    |
| 0042   | IPPR40020 |                  | GRIP G 6000+P.330 +M22 SW.M V          | 1,00     | 01/03/2016 |            | --    |
| 0043   | LCPR40046 |                  | EXTENSION P 580 - T10P 1.50 AZZ        | 1,00     |            |            | --    |
| 0043   | LCPR40053 |                  | LANCE TURBO TPR-20+SF230 D.1,50        | 1,00     |            |            | --    |
| 0046   | ITSO89974 |                  | SOUND-PROOFING ELT 60X35 H.20          | 1,00     | 10/09/2013 |            | --    |
| 0047   | VTRS40016 |                  | WASHER D.22 X32 X1.2 ZC.               | 2,00     | 26/01/2012 |            | --    |
| 0048   | VTRS04924 | 00004924         | WASHER D.23X 39                        | 2,00     |            |            | --    |
| 0049   | MPVR40333 |                  | SPACER D. 20.5-30 L=23 POM             | 2,00     |            |            | --    |
| 0050   | VTAE33674 | 00033674         | CIRCLIP D. 22 UNI 7435                 | 6,00     |            |            | --    |
| 0051   | RCDS89862 |                  | BLOCK PRT-P237 G3/8 OT.                | 1,00     |            |            | --    |
| 0052   | RCDS00610 | 00000610         | NIPPLE 3/8 - 3/8 SV                    | 1,00     |            |            | --    |
| 0053   | TBAP40083 |                  | HOSE-FITTING 3/ 8 R2 L=460 0- 0° 3/8F  | 1,00     |            |            | --    |
| 0054   | MPVR40581 |                  | HOSE REEL PRT.ANM PP                   | 2,00     | 01/10/2013 |            | --    |
| 0055   | GUVR37665 | 00037665         | ANTI-EXTR.RING D.17.8X22 X1.5 PTFE     | 2,00     |            |            | --    |
| 0056   | RCIN09348 | 00009348         | MALE COUPLING 3/8MA L=32               | 1,00     |            |            | --    |
| 0057   | LAFN37663 | 00037663         | AXLE PRT                               | 1,00     |            | 09/06/2003 | --    |
| 0057   | LAFN48953 | 00048953         | AXLE PRT 2V. 3PZ.                      | 1,00     | 10/06/2003 |            | --    |
| 0058   | MPVR31495 | 00031495         | HANDLE PRT D. 3.5                      | 1,00     |            |            | --    |
| 0059   | TBAP40085 |                  | HOSE-FITTING 3/ 8 R1 L=600 2/IRV F 90° | 1,00     |            |            | --    |
| 0061   | GUGO01032 | 00001032         | O-RING D. 17.13 X 2.62 NBR 70SH        | 2,00     |            |            | --    |
| 0069   | LAFN40714 |                  | REINFORCEMENT PW-C40 ZC.               | 1,00     | 01/03/2017 |            | --    |
| 0072   | FSVR11957 | 00011957         | CLAMP D. 9.5-12 CLIC                   | 1,00     | 01/02/2016 |            | --    |
| 0072   | FSVR40006 |                  | CLAMP D 9.8 - 10.4                     | 1,00     | 01/12/2011 | 31/01/2016 | --    |



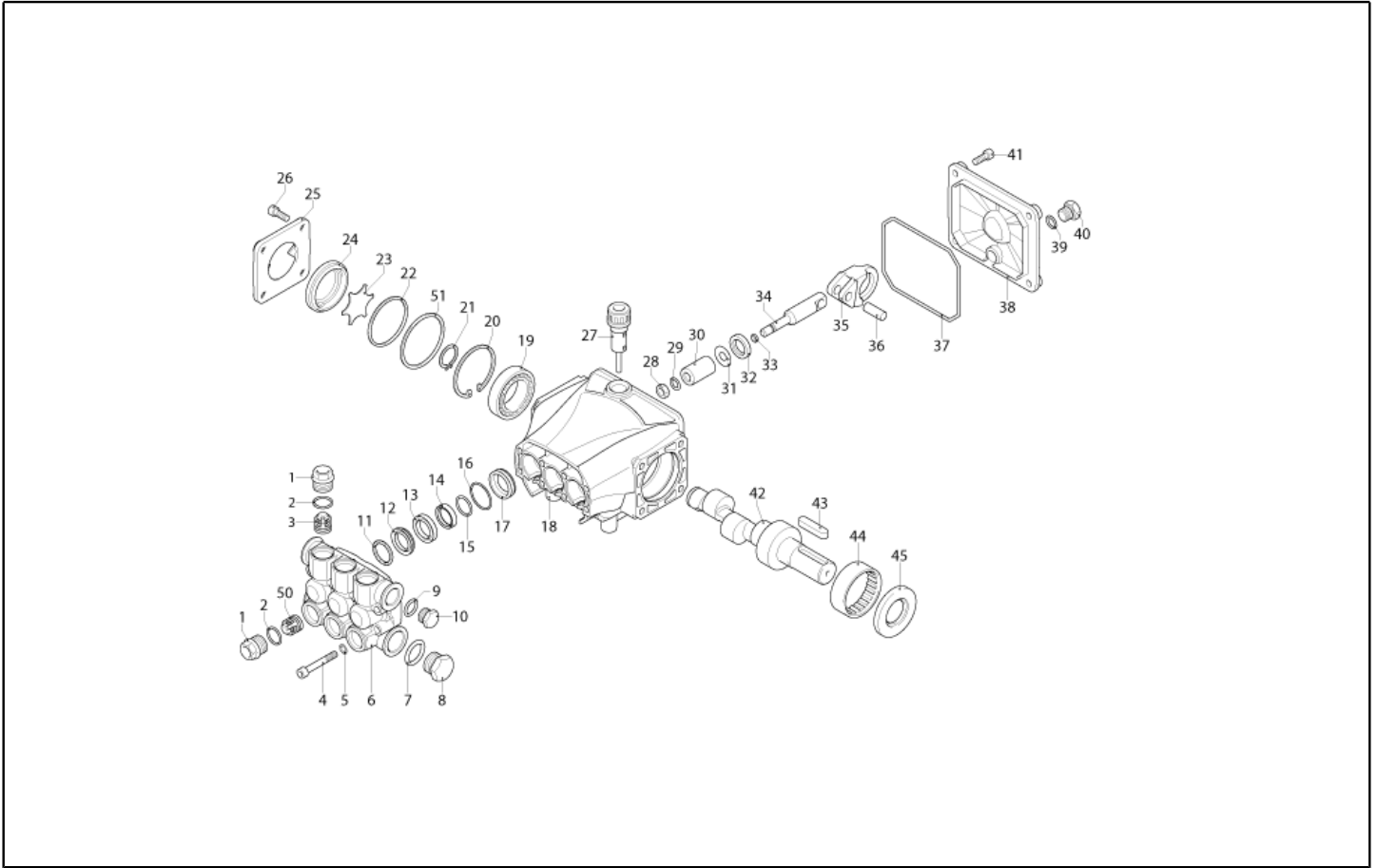
| Ref. K | Part n.   | Customer part n. | Description                       | Quantity | Validity   |            | Price |
|--------|-----------|------------------|-----------------------------------|----------|------------|------------|-------|
|        |           |                  |                                   |          | From       | To         |       |
| C      | MECO13159 | 00013159         | CONDENSER 60 MF 450V D.55X 95     | 1,00     |            | 20/02/2013 | --    |
| C      | MECO47428 | 00047428         | CAPACITOR 70 MF 450V FST.D.50X120 | 1,00     | 21/02/2013 |            | --    |
| K      | METT40012 |                  | CONTACTOR SIE 3RT 2017-1AP01 230V | 1,00     | 01/11/2014 |            | --    |
| K      | METT44556 | 00044556         | CONTACTOR SIE 3RT 1017 1AP01 230V | 1,00     | 10/09/2013 | 31/10/2014 | --    |
| IG     | MECI40020 |                  | SWITCH BRM BP. 0-1 12A            | 1,00     | 10/09/2013 |            | --    |
| TM     | METY37440 | 00037440         | TIMER THV/1S 150-250V 30S.5/60    | 1,00     | 10/09/2013 | 31/08/2015 | --    |
| TM     | METY40001 |                  | TIMER THV/1 220-5/60 30S. VM      | 1,00     | 01/09/2015 |            | --    |
| CV1    | MECB40001 |                  | CABLE H07 RNF 3X1.5 L=6.500 SP.   | 1,00     |            | 14/10/2011 | --    |
| CV1    | MECB40191 |                  | CABLE H05 VVF 3X1.5 L=5.500 SP.   | 1,00     | 10/09/2013 |            | --    |



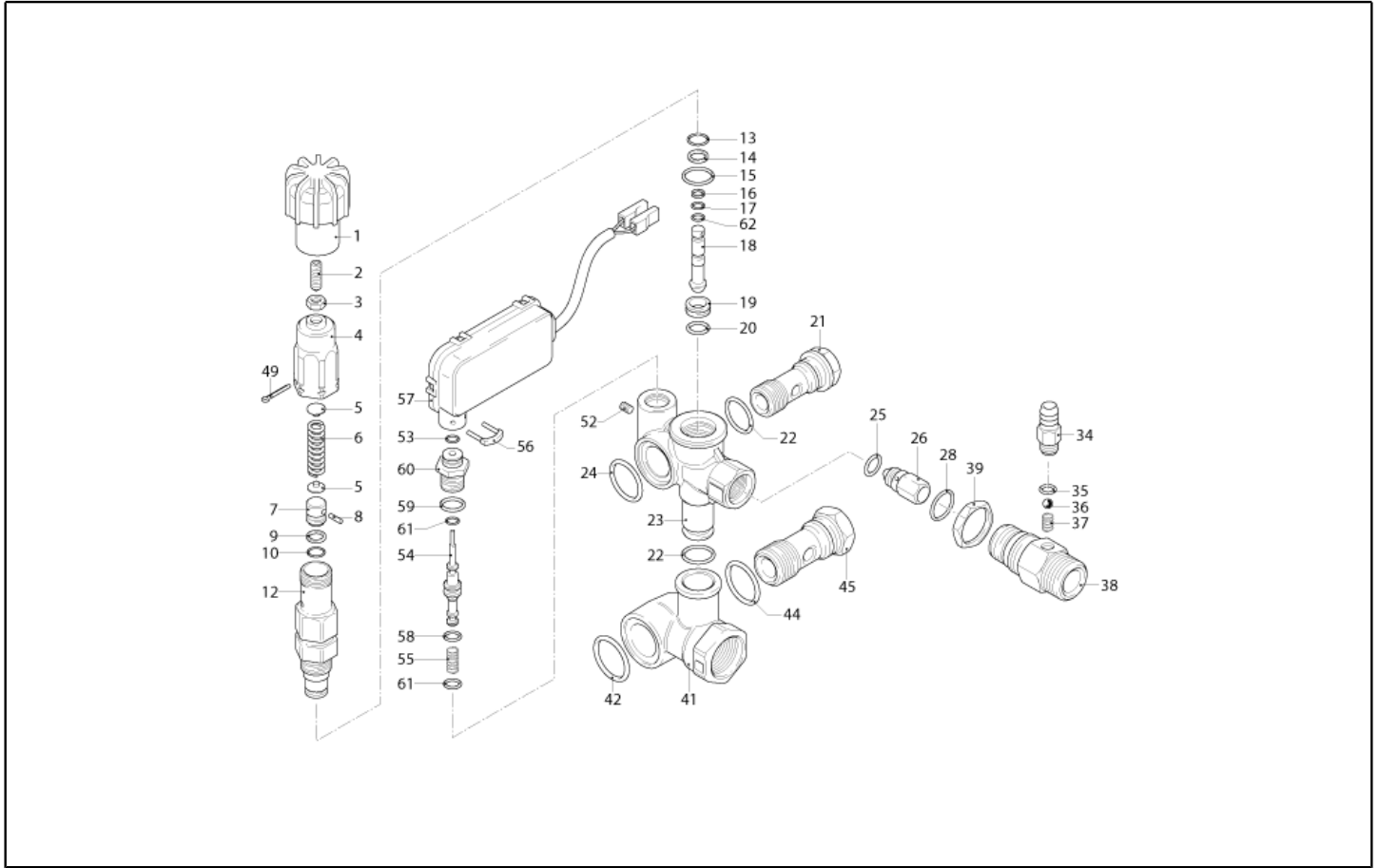
| Ref. K | Part n.     | Customer part n. | Description                      | Quantity | Validity   |            | Price |
|--------|-------------|------------------|----------------------------------|----------|------------|------------|-------|
|        |             |                  |                                  |          | From       | To         |       |
| 0001   | PVVR40120   |                  | CAP AR RC                        | 6,00     |            |            | --    |
| 0002   | GUGO03505   | 00003505         | O-RING D. 15.6 X 1.78 NBR 70SH   | 6,00     |            |            | --    |
| 0003   | S VVAM40002 |                  | VALVE UNIT RC                    | 6,00     |            | 31/07/2012 | --    |
| 0003   | S VVAM40002 |                  | VALVE UNIT RC                    | 3,00     | 01/08/2012 |            | --    |
| 0004   | VTVT06236   | 00006236         | SCREW TCCE UNI 5931 6X40 ZB      | 8,00     |            |            | --    |
| 0005   | VTRS01077   | 00001077         | WASHER D. 6.4X10X0,7             | 8,00     |            |            | --    |
| 0006   | MFVR40019   |                  | HEAD AR RC OT.                   | 1,00     |            |            | --    |
| 0007   | GUGO19245   | 00019245         | O-RING D. 17.5 X 2 NBR 70SH      | 1,00     |            |            | --    |
| 0008   | PVVR40121   |                  | CAP 1/2 M RC                     | 1,00     |            |            | --    |
| 0009   | GUGO09720   | 00009720         | O-RING D. 14 X 1.78 NBR 70SH     | 1,00     |            |            | --    |
| 0010   | PVVR40099   |                  | CAP 3/8 M HRM                    | 1,00     |            |            | --    |
| 0011   | S PVVR40122 |                  | HEAD RING D. 18 RC               | 3,00     |            |            | --    |
| 0012   | S GUVR40035 |                  | PACKING D. 18 RC H.P.            | 3,00     |            |            | --    |
| 0013   | PVVR40123   |                  | INTERMED. RING D. 18 RC          | 3,00     |            |            | --    |
| 0014   | S GUVR40036 |                  | PACKING D. 18 RC L.P.            | 3,00     |            |            | --    |
| 0015   | S GUVR40037 |                  | ANTI-EXTR.RING D.21              | 3,00     |            |            | --    |
| 0016   | S GUGO19290 | 00019290         | O-RING D. 23.52 X 1.78 NBR 70SH  | 3,00     |            | 31/03/2014 | --    |
| 0016   | S GUGO08182 | 00008182         | O-RING D. 21.91 X 1.78 NBR 70SH  | 3,00     | 01/04/2014 |            | --    |
| 0017   | PVVR40124   |                  | PACKING RETAIN. D. 18 RC         | 3,00     |            |            | --    |
| 0018   | MFVR40020   |                  | PUMP CRANKCASE AR RC             | 1,00     |            | 31/03/2014 | --    |
| 0018   | MFVR40027   |                  | PUMP CRANKCASE AR RCS            | 1,00     | 01/04/2014 |            | --    |
| 0019   | CUVR28336   | 00028336         | BALL BEARING 6304                | 1,00     |            |            | --    |
| 0020   | VTAE09661   | 00009661         | CIRCLIP D. 52 UNI 7437           | 1,00     |            |            | --    |
| 0021   | VTAE06193   | 00006193         | CIRCLIP D. 20 UNI 7435           | 1,00     |            |            | --    |
| 0022   | GUGO02561   | 00002561         | O-RING D. 47.3 X 2.62 NBR 70SH   | 1,00     |            |            | --    |
| 0023   | PVVR40125   |                  | DISC RC                          | 1,00     |            |            | --    |
| 0024   | PVVR40126   |                  | OIL INDICATOR RC                 | 1,00     |            |            | --    |
| 0025   | MFVR40021   |                  | CRANKASE COVER AR RC LT.         | 1,00     |            |            | --    |
| 0026   | VTVT01531   | 00001531         | SCREW TE 6X 16 UNI 5739          | 4,00     |            |            | --    |
| 0027   | PVVR19231   | 00019231         | OIL CAP XTS                      | 1,00     |            | 31/03/2014 | --    |
| 0027   | PVVR40436   |                  | OIL CAP RC                       | 1,00     | 01/04/2014 |            | --    |
| 0028   | VTDD00483   | 00000483         | NUT M 8 ZIN UNI 5588             | 3,00     |            |            | --    |
| 0029   | VTRS19394   | 00019394         | WASHER D. 8X13X0,5               | 8,00     |            |            | --    |
| 0030   | S PIVR40005 |                  | PISTON D.18X30 RC                | 3,00     |            |            | --    |
| 0031   | PVVR19233   | 00019233         | DISC XTS                         | 3,00     |            |            | --    |
| 0032   | S GUGO09690 | 00009690         | OIL SEAL 15X 24X 5 NBR70         | 3,00     |            |            | --    |
| 0033   | GUGO08071   | 00008071         | O-RING D. 4.48 X 1.78 NBR 70SH   | 3,00     |            |            | --    |
| 0034   | PVVR40127   |                  | PISTON GUIDE RC                  | 3,00     |            |            | --    |
| 0035   | BLVR40001   |                  | CONNECTING ROD RC                | 3,00     |            |            | --    |
| 0036   | PVVR40128   |                  | GUDGEON D. 9X23 RC               | 3,00     |            |            | --    |
| 0037   | GUGO18695   | 00018695         | O-RING D. 101.27 X 2.62 NBR 70SH | 1,00     |            |            | --    |
| 0038   | MFVR40022   |                  | CRANKASE COVER AR RC             | 1,00     |            |            | --    |
| 0039   | GUGO01036   | 00001036         | O-RING D. 10.82 X 1.78 NBR 70SH  | 1,00     |            |            | --    |
| 0040   | PVVR40129   |                  | CAP 1/4 M RC                     | 1,00     |            |            | --    |



| Ref. K | Part n.     | Customer part n. | Description              | Quantity | Validity   |    | Price |
|--------|-------------|------------------|--------------------------|----------|------------|----|-------|
|        |             |                  |                          |          | From       | To |       |
| 0041   | VTVT09913   | 00009913         | SCREW TCEI 6X16 UNI5931  | 4,00     |            |    | --    |
| 0042   | ALMO40008   |                  | SHAFT AR RC 12LT VRS. N  | 1,00     |            |    | --    |
| 0043   | VTVR41531   | 00041531         | KEY 8X 7X35 UNI 6604A    | 1,00     |            |    | --    |
| 0044   | CUVR23636   | 00023636         | ROLLER BEARING HK 4516   | 1,00     |            |    | --    |
| 0045   | S GUGO00999 | 00000999         | OIL SEAL 25X 52X 7 NBR70 | 1,00     |            |    | --    |
| 0050   | S VVAM40007 |                  | VALVE UNIT RC ASP. BK    | 3,00     | 01/08/2012 |    | --    |
| 0051   | PVVR40437   |                  | RING D. 51.8 X0.5        | 1,00     | 01/04/2014 |    | --    |

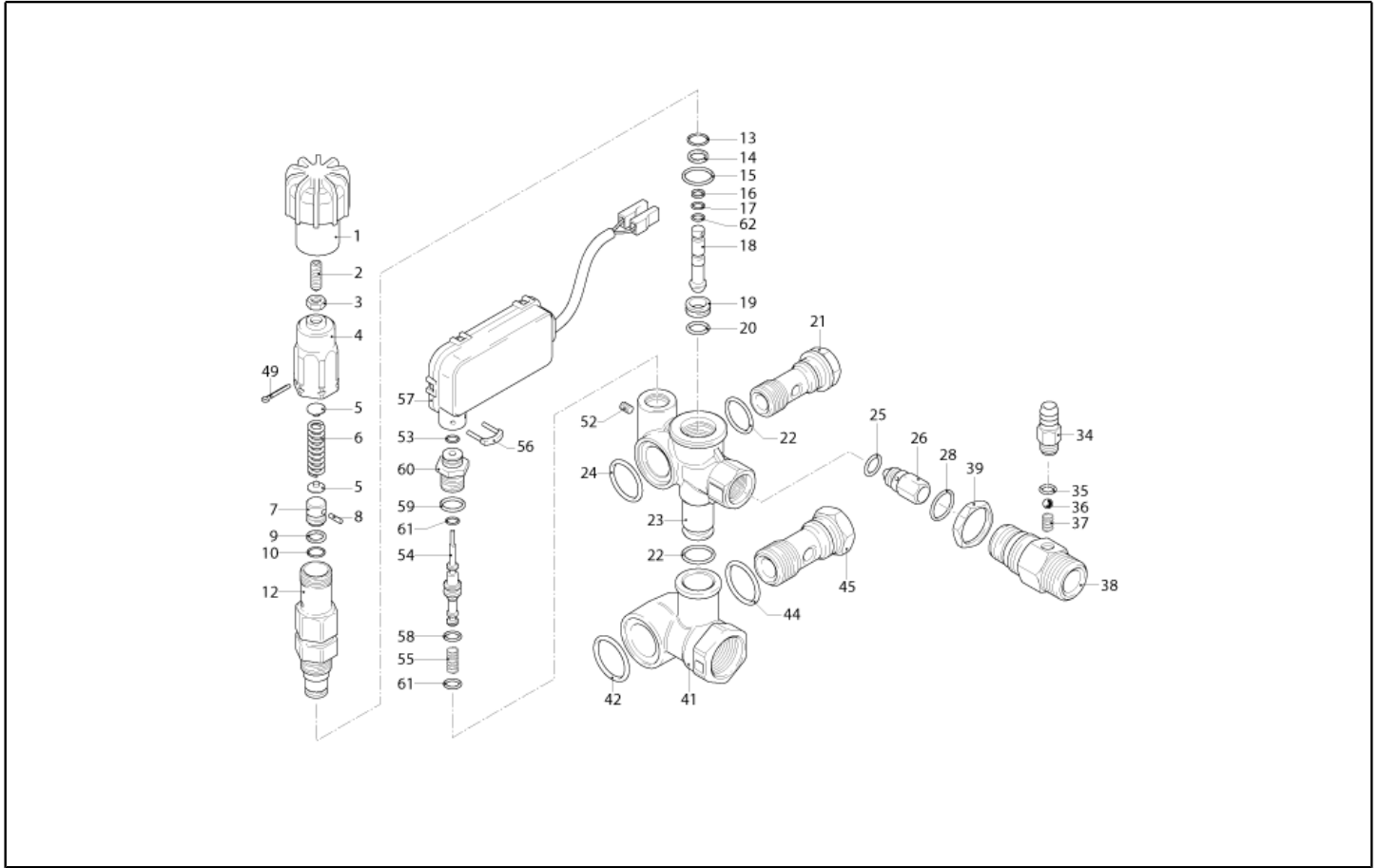


| Ref. Part n. | Cust. part n. | Description                   | Reference           | Price |
|--------------|---------------|-------------------------------|---------------------|-------|
| KTRI40092    |               | KIT P 15-2186 RC              | 0003                | --    |
| KTRI40093    |               | KIT P 15-42917 RC             | 0030                | --    |
| KTRI40094    |               | KIT P 15-42919 D.18 RC        | 0012 0014 0015 0016 | --    |
| KTRI40095    |               | KIT P 15-42903 D.18 RC        | 0011                | --    |
| KTRI40096    |               | KIT P 15-42918 RC             | 0032 0045           | --    |
| KTRI40207    |               | KIT P 15-42914 RC 3+3 BL./WH. | 0003 0003           | --    |

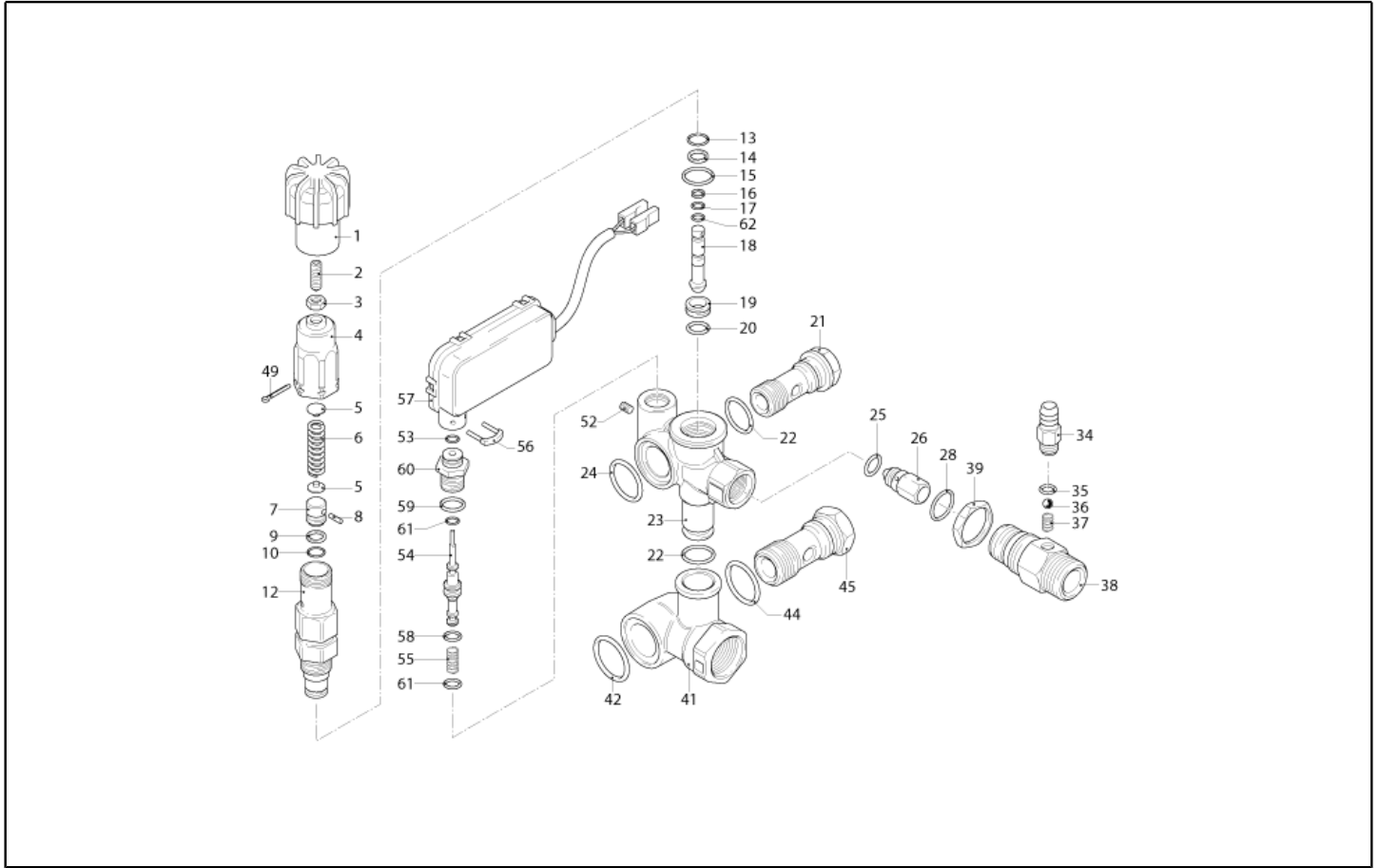


| Ref. K | Part n.     | Customer part n. | Description                     | Quantity | Validity   |            | Price |
|--------|-------------|------------------|---------------------------------|----------|------------|------------|-------|
|        |             |                  |                                 |          | From       | To         |       |
| 0001   | PVVR40227   |                  | KNOB M.MT/4B                    | 1,00     |            |            | --    |
| 0002   | VTVT19524   | 00019524         | SCREW EI-ST 6X16 UNI 5923       | 1,00     |            |            | --    |
| 0003   | VTDD00482   | 00000482         | NUT M 6 ZIN UNI 5588            | 1,00     |            |            | --    |
| 0004   | PVVR40236   |                  | KNOB M.MT/4B                    | 1,00     |            |            | --    |
| 0005   | PVVR40067   |                  | SPRING PLATE AR XJS             | 2,00     |            |            | --    |
| 0006   | MLML40007   |                  | SPRING D. 10.8X48.9 D.2.8 XJS   | 1,00     |            |            | --    |
| 0007   | S PVVR40068 |                  | SMALL PISTON AR XJS SP.         | 1,00     |            |            | --    |
| 0008   | S VTVR19193 | 00019193         | PLUG D. 2.5X10                  | 1,00     |            |            | --    |
| 0009   | S GUVR40026 |                  | ANTI-EXTR.RING D. 8             | 1,00     |            |            | --    |
| 0010   | S GUGO06988 | 00006988         | O-RING D. 7.66 X 1.78 NBR 70SH  | 1,00     |            | 30/06/2013 | --    |
| 0010   | S GUGO40179 | 00040179         | O-RING D. 8 X 2 NBR 70SH        | 1,00     | 01/07/2013 |            | --    |
| 0012   | PVVR40069   |                  | PISTON GUIDE AR XJS             | 1,00     |            | 30/06/2013 | --    |
| 0012   | S PVVR40385 |                  | PISTON GUIDE AR XJS 2V.         | 1,00     | 01/07/2013 |            | --    |
| 0013   | S GUGO09720 | 00009720         | O-RING D. 14 X 1.78 NBR 70SH    | 1,00     |            |            | --    |
| 0014   | S GUGO63403 | 00063403         | O-RING D. 8.73 X 1.78 NBR 70SH  | 1,00     |            |            | --    |
| 0015   | S GUGO02259 | 00002259         | O-RING D. 15.54 X 2.62 NBR 70SH | 1,00     |            |            | --    |
| 0016   | S GUVR40027 |                  | ANTI-EXTR.RING D. 3.7           | 1,00     |            |            | --    |
| 0017   | S GUGO19189 | 00019189         | O-RING D. 2.90 X 1.78 NBR 70SH  | 1,00     |            |            | --    |
| 0018   | S PVVR40070 |                  | CONTROL PISTON AR XJS IF.       | 1,00     |            |            | --    |
| 0019   | S PVVR40071 |                  | VALVE SEAT AR XJS               | 1,00     |            |            | --    |
| 0020   | S GUGO41692 | 00041692         | O-RING D. 9 X 1 NBR 70SH        | 1,00     |            |            | --    |
| 0021   | RCDS40068   |                  | SCREW G 3/8 M.MATIC 4/B OT.     | 1,00     |            |            | --    |
| 0022   | S GUGO01047 | 00001047         | O-RING D. 11.91 X 2.62 NBR 70SH | 2,00     |            |            | --    |
| 0023   | PVVR40134   |                  | VALVE BODY M.MATIC 4/B TSS      | 1,00     |            |            | --    |
| 0024   | S GUGO19395 | 00019395         | O-RING D. 20.24 X 2.62 NBR 70SH | 1,00     |            |            | --    |
| 0025   | S GUGO12494 | 00012494         | O-RING D. 4 X 2.5 -NBR 70SH     | 1,00     |            |            | --    |
| 0026   | S PVVR40074 |                  | COUPLING N.RIT. XJS             | 1,00     |            |            | --    |
| 0027   | MLML32257   | 00032257         | SPRING D. 6.5 X14 D.0.5         | 1,00     |            | 30/06/2013 | --    |
| 0028   | S GUGO11652 | 00011652         | O-RING D. 12.42 X 1.78 NBR 70SH | 1,00     |            |            | --    |
| 0034   | PVVR40135   |                  | HOSE FITTING M.MATIC 4/B IN.    | 1,00     |            |            | --    |
| 0035   | S GUGO08071 | 00008071         | O-RING D. 4.48 X 1.78 NBR 70SH  | 1,00     |            |            | --    |
| 0036   | SFVR04274   | 00004274         | BALL D. 7/32                    | 1,00     |            |            | --    |
| 0037   | MLML40008   |                  | SPRING D. 4                     | 1,00     |            |            | --    |
| 0038   | RCDS40074   |                  | NIPPLE G 3/8 D. 2 M.MATIC 4/B   | 1,00     |            |            | --    |
| 0039   | VTDD40003   |                  | LOCKNUT M20x1                   | 1,00     |            |            | --    |
| 0041   | PVVR40131   |                  | CONNECTOR M.MATIC 4/B           | 1,00     |            |            | --    |
| 0042   | S GUGO76542 | 00076542         | O-RING D. 23.47 X 2.62 NBR 70SH | 1,00     |            |            | --    |
| 0044   | S GUGO01058 | 00001058         | O-RING D. 17.17 X 1.78 NBR 70SH | 1,00     |            |            | --    |
| 0045   | RCDS40070   |                  | SCREW G 1/2 M.MATIC 4/B         | 1,00     |            |            | --    |
| 0049   | VTVR40025   |                  | SPLIT PIN D. 2,6X15             | 1,00     |            |            | --    |
| 0052   | VTVT40019   |                  | SCREW M 3X 5 EI-ST UNI 5923     | 1,00     |            |            | --    |
| 0053   | S GUGO19207 | 00019207         | O-RING D. 1.78 X 1.78 NBR 70SH  | 1,00     |            |            | --    |
| 0054   | PVVR40136   |                  | CONTROL PISTON AR TSS M.MTC     | 1,00     |            |            | --    |
| 0055   | MLML40017   |                  | SPRING D. 8.7 X15.9 D.1.2       | 1,00     |            |            | --    |

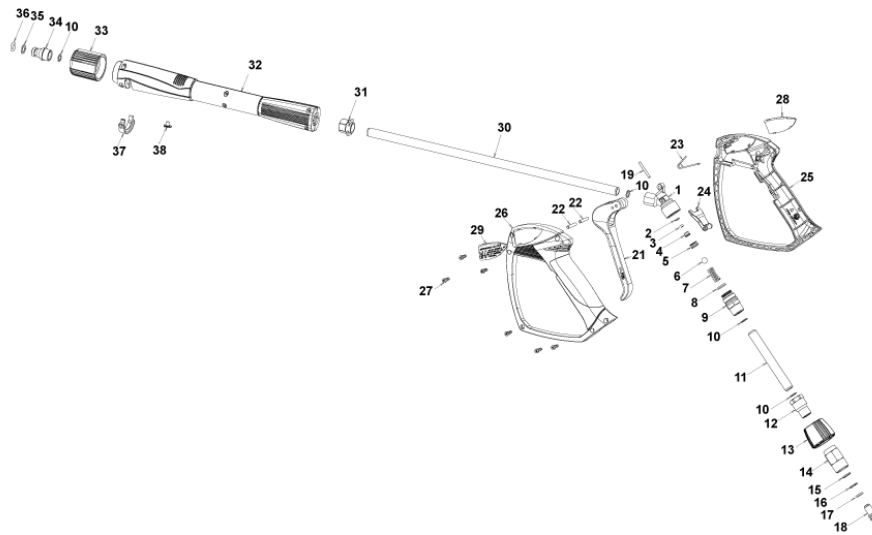




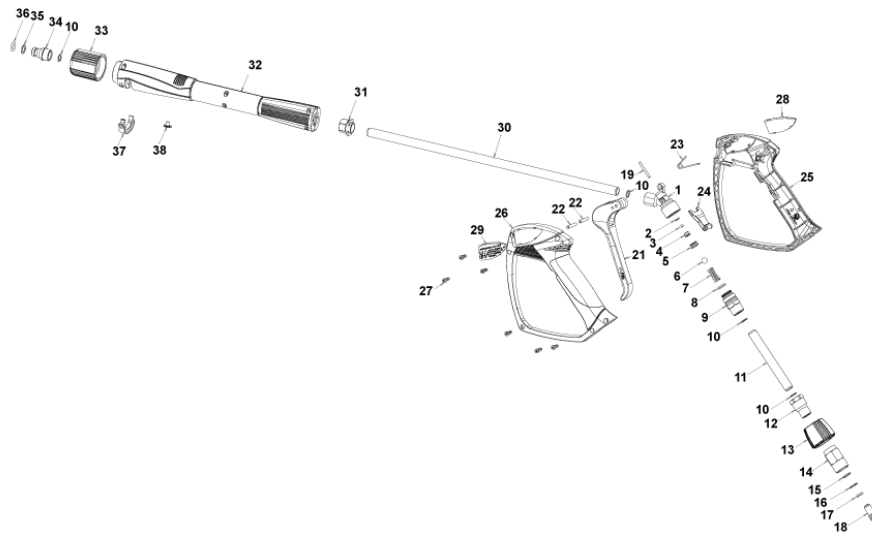
| Ref. K | Part n.     | Customer part n. | Description                            | Quantity | Validity |    | Price |
|--------|-------------|------------------|--|----------|----------|----|-------|
|        |             |                  |  |          | From     | To |       |
| 0056   | LAFN40212   |                  | PLUG *U* AR TSS                        | 1,00     |          |    | --    |
| 0057   | MEPF40013   |                  | PRESSURE SWITCH AR TSS 220V N.A. L.900 | 1,00     |          |    | --    |
| 0058   | S GUGO12489 | 00012489         | O-RING D. 6.07 X 1.78 NBR 70SH         | 1,00     |          |    | --    |
| 0059   | S GUGO03496 | 00003496         | O-RING D. 9.25 X 1.78 NBR 70SH         | 1,00     |          |    | --    |
| 0060   | PVVR40137   |                  | PISTON GUIDE AR TSS M.MATIC            | 1,00     |          |    | --    |
| 0061   | S GUGO19189 | 00019189         | O-RING D. 2.90 X 1.78 NBR 70SH         | 2,00     |          |    | --    |
| 0062   | S GUGO40031 |                  | O-RING D. 3.39 X 1.78 NBR 70SH         | 1,00     |          |    | --    |



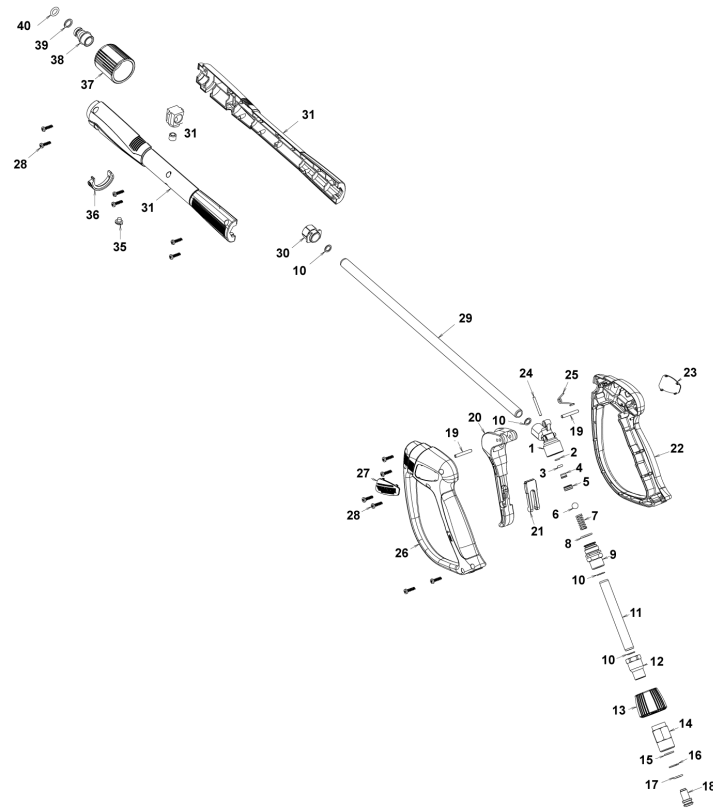
| Ref. Part n.  | Cust. part n. | Description                    | Reference  | Price |
|---------------|---------------|--------------------------------|--|-------|
| KTRI40128     |               | KIT P 14-101 M.MATIC 4/B CK.V. | 0025 0026 0028   | --    |
| KTRI40127     |               | KIT P 14-100 M.MATIC 4/B       | 0007 0008 0009 0010 0010 0012 0013 0014 0015 0016<br>0017 0018 0019 0020 0062                          | --    |
| K F KTRI40183 |               | KIT P 15-42916 O-RING          | 0009 0010 0013 0014 0015 0016 0017 0020 0053 0058<br>0059 0061 0062 0022 0024 0025 0028 0035 0042 0044 | --    |



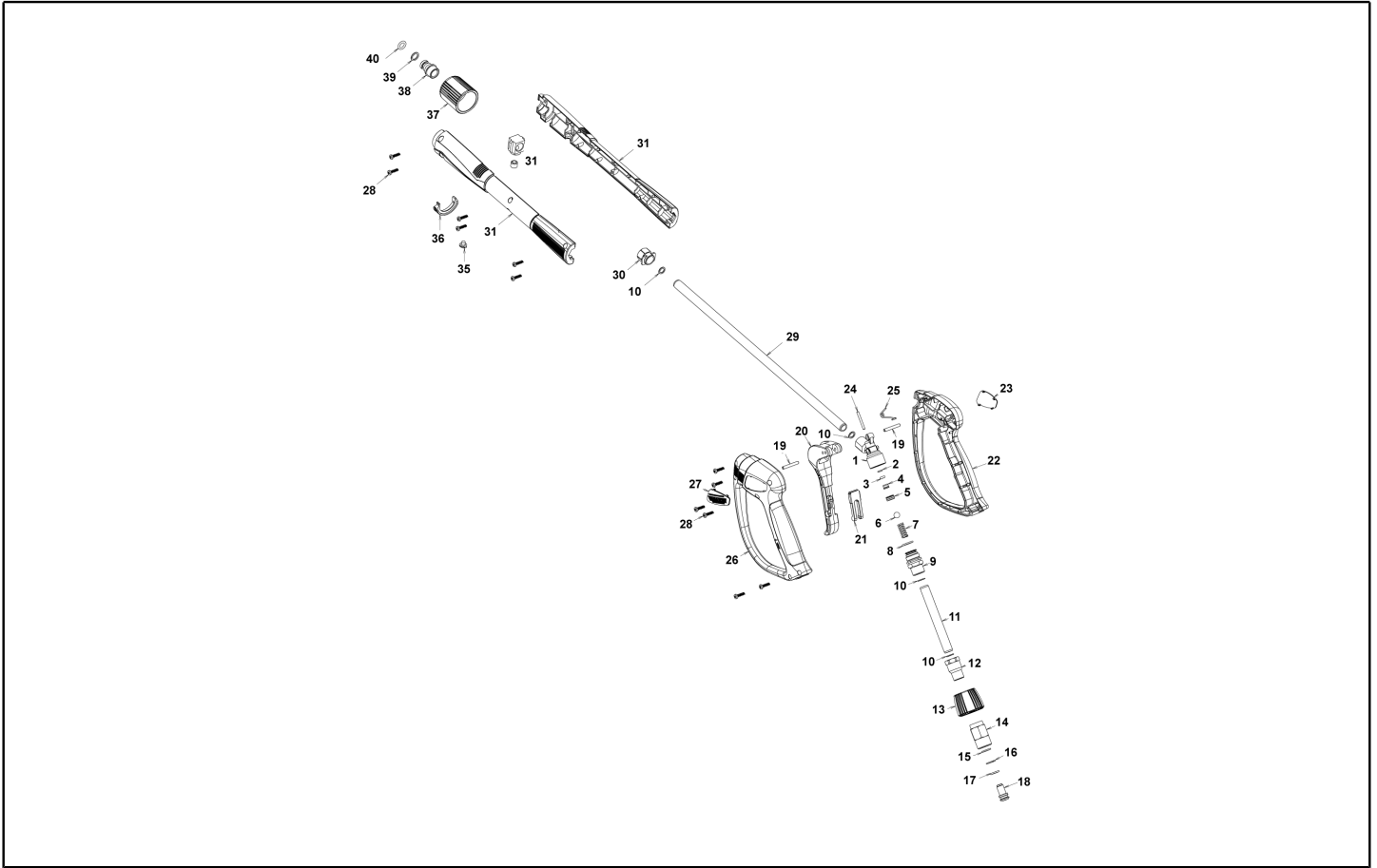
| Ref. K | Part n.     | Customer part n. | Description                     | Quantity | Validity |    | Price |
|--------|-------------|------------------|---------------------------------|----------|----------|----|-------|
|        |             |                  |                                 |          | From     | To |       |
| 0001   | PVVR40381   |                  | GUN BODY G 5100 G1/4F           | 1,00     |          |    | --    |
| 0002   | S GUVR40074 |                  | ANTI-EXTR.RING D. 3 X 7.4X1.3   | 1,00     |          |    | --    |
| 0003   | S GUGO21835 | 00021835         | O-RING D. 2.84 X 2.62 VIT. 80SH | 1,00     |          |    | --    |
| 0004   | PVVR40382   |                  | PISTON GUIDE G 5100             | 1,00     |          |    | --    |
| 0005   | S PVVR40112 |                  | BALL SEAT G 5000                | 1,00     |          |    | --    |
| 0006   | S SFVR27026 | 00027026         | BALL D.11/32" INX               | 1,00     |          |    | --    |
| 0007   | MLML40016   |                  | SPRING D. 9.4 x21.5x1.6 G5000   | 1,00     |          |    | --    |
| 0008   | GUGO12322   | 00012322         | O-RING D. 14 X 1.78 NBR 90SH    | 1,00     |          |    | --    |
| 0009   | PVVR40383   |                  | CONNECTOR COLL.G5100 1/4F       | 1,00     |          |    | --    |
| 0010   | VTRS40017   |                  | WASHER D. 8.2X11,4X1.00         | 4,00     |          |    | --    |
| 0011   | PVVR40384   |                  | TUBE G 1/4" L.105               | 1,00     |          |    | --    |
| 0012   | RCIN40022   |                  | CONNECTOR SWIV G5100 1/4F       | 1,00     |          |    | --    |
| 0013   | MPVR40486   |                  | RING NUT G 5100 SW. GR.         | 1,00     |          |    | --    |
| 0014   | RCIN40021   |                  | JOINT SWIV 5100 M22             | 1,00     |          |    | --    |
| 0015   | S GUVR40075 |                  | ANTI-EXTR.RING D. 10 X14X1.5    | 1,00     |          |    | --    |
| 0016   | S GUVR40076 |                  | ANTI-EXTR.RING D. 11.2X14X1.2   | 1,00     |          |    | --    |
| 0017   | S GUGO15295 | 00015295         | O-RING D. 10.82 X 1.78 VIT 80SH | 1,00     |          |    | --    |
| 0018   | PVVR40386   |                  | SCREW SW. G 5100                | 1,00     |          |    | --    |
| 0019   | PVVR40387   |                  | SMALL PISTON G 5100             | 1,00     |          |    | --    |
| 0021   | MPVR40487   |                  | TRIGGER G 5100-SW               | 1,00     |          |    | --    |
| 0022   | VTVR40047   |                  | PLUG D. 4X29                    | 2,00     |          |    | --    |
| 0023   | MLML40029   |                  | SPRING G 5100                   | 1,00     |          |    | --    |
| 0024   | MPVR40488   |                  | SAFETY-DEVICE G 5100-SW         | 1,00     |          |    | --    |
| 0025   | MPVR40489   |                  | SHELL G 5100-SW DX              | 1,00     |          |    | --    |
| 0026   | MPVR40490   |                  | SHELL G 5100-SW SX              | 1,00     |          |    | --    |
| 0027   | VTVT40043   |                  | SCREW AF 4X 14 HILO ZN.N        | 6,00     |          |    | --    |
| 0028   | MPVR40491   |                  | PLATE G 5100 GR.DX              | 1,00     |          |    | --    |
| 0029   | MPVR40492   |                  | PLATE G 5100 GR.SX              | 1,00     |          |    | --    |
| 0030   | LCPR40086   |                  | TUBE 1/4 L=420 ZC. 0°           | 1,00     |          |    | --    |
| 0031   | MPVR40493   |                  | CONNECTOR G 5100-SW             | 1,00     |          |    | --    |
| 0032   | MPVR40494   |                  | PROTECTION P 420 C/AN.          | 1,00     |          |    | --    |
| 0033   | PVVR40119   |                  | CONNECTION M22X1.5 IRV G5000    | 1,00     |          |    | --    |
| 0034   | RCIN40009   |                  | GUDGEON G 1/4 F IRV G5000       | 1,00     |          |    | --    |
| 0035   | GUVR40034   |                  | ANTI-EXTR.RING D. 10 X14        | 1,00     |          |    | --    |
| 0036   | GUGO01946   | 00001946         | O-RING D. 9.13 X 2.62 VIT 70SH  | 1,00     |          |    | --    |
| 0037   | MPVR40495   |                  | CAP G 5100 REM.                 | 1,00     |          |    | --    |
| 0038   | MPVR40198   |                  | CAP G 5000                      | 1,00     |          |    | --    |



| Ref. Part n. | Cust. part n. | Description                | Reference           | Price |
|--------------|---------------|----------------------------|---------------------|-------|
| KTRI40242    |               | KIT P 26- 25 G 5100        | 0002 0003 0005 0006 | --    |
| KTRI40243    |               | KIT P 26- 26 SWIVEL G 5100 | 0015 0016 0017      | --    |



| Ref. K | Part n.   | Customer part n. | Description                    | Quantity                        | Validity |    | Price |
|--------|-----------|------------------|--------------------------------|---------------------------------|----------|----|-------|
|        |           |                  |                                |                                 | From     | To |       |
| 0001   | PVVR40381 |                  | GUN BODY G 5100 G1/4F          | 1,00                            |          |    | --    |
| 0002   | S         | GUVR40074        | ANTI-EXTR.RING D. 3 X 7.4X1.3  | 1,00                            |          |    | --    |
| 0003   | S         | GUGO21835        | 00021835                       | O-RING D. 2.84 X 2.62 VIT. 80SH | 1,00     |    | --    |
| 0004   | PVVR40382 |                  | PISTON GUIDE G 5100            | 1,00                            |          |    | --    |
| 0005   | S         | PVVR40112        | BALL SEAT G 5000               | 1,00                            |          |    | --    |
| 0006   | S         | SFVR40002        | BALL D.11/32" ALL GR16         | 1,00                            |          |    | --    |
| 0007   | MLML40016 |                  | SPRING D. 9.4 x21.5x1.6 G5000  | 1,00                            |          |    | --    |
| 0008   | GUGO12322 | 00012322         | O-RING D. 14 X 1.78 NBR 90SH   | 1,00                            |          |    | --    |
| 0009   | PVVR40383 |                  | CONNECTOR COLL.G5100 1/4F      | 1,00                            |          |    | --    |
| 0010   | VTRS40017 |                  | WASHER D. 8.2X11,4X1.00        | 4,00                            |          |    | --    |
| 0011   | PVVR40384 |                  | TUBE G 1/4" L.105              | 1,00                            |          |    | --    |
| 0012   | RCIN40022 |                  | CONNECTOR SWIV G5100 1/4F      | 1,00                            |          |    | --    |
| 0013   | MPVR40819 |                  | RING NUT G 5100 SW. BK.        | 1,00                            |          |    | --    |
| 0014   | RCIN40021 |                  | JOINT SWIV 5100 M22            | 1,00                            |          |    | --    |
| 0015   | S         | GUVR40075        | ANTI-EXTR.RING D. 10 X14X1.5   | 1,00                            |          |    | --    |
| 0016   | S         | GUVR40076        | ANTI-EXTR.RING D. 11.2X14X1.2  | 1,00                            |          |    | --    |
| 0017   | S         | GUGO15295        | 00015295                       | O-RING D. 10.82 X 1.78 VIT 80SH | 1,00     |    | --    |
| 0018   | PVVR40386 |                  | SCREW SW. G 5100               | 1,00                            |          |    | --    |
| 0019   | VTVR40047 |                  | PLUG D. 4X29                   | 2,00                            |          |    | --    |
| 0020   | MPVR40820 |                  | TRIGGER G 6000-SW              | 1,00                            |          |    | --    |
| 0021   | MPVR40821 |                  | SAFETY-DEVICE G 6000-SW        | 1,00                            |          |    | --    |
| 0022   | MPVR40822 |                  | SHELL G 6000-SW DX             | 1,00                            |          |    | --    |
| 0023   | MPVR40823 |                  | PLATE G 6000 GR.DX             | 1,00                            |          |    | --    |
| 0024   | PVVR40387 |                  | SMALL PISTON G 5100            | 1,00                            |          |    | --    |
| 0025   | MLML40029 |                  | SPRING G 5100                  | 1,00                            |          |    | --    |
| 0026   | MPVR40824 |                  | SHELL G 6000-SW SX             | 1,00                            |          |    | --    |
| 0027   | MPVR40825 |                  | PLATE G 6000 GR.SX             | 1,00                            |          |    | --    |
| 0028   | VTVT40043 |                  | SCREW AF 4X 14 HILO ZN.N       | 12,00                           |          |    | --    |
| 0029   | LCPR40086 |                  | TUBE 1/4 L=420 ZC. 0°          | 1,00                            |          |    | --    |
| 0030   | MPVR40493 |                  | CONNECTOR G 5100-SW            | 1,00                            |          |    | --    |
| 0031   | MPVR40494 |                  | PROTECTION P 420 C/AN.         | 1,00                            |          |    | --    |
| 0035   | MPVR40198 |                  | CAP G 5000                     | 1,00                            |          |    | --    |
| 0036   | MPVR40495 |                  | CAP G 5100 REM.                | 1,00                            |          |    | --    |
| 0037   | PVVR40119 |                  | CONNECTION M22X1,5 IRV G5000   | 1,00                            |          |    | --    |
| 0038   | RCIN40009 |                  | GUDGEON G 1/4 F IRV G5000      | 1,00                            |          |    | --    |
| 0039   | GUVR40034 |                  | ANTI-EXTR.RING D. 10 X14       | 1,00                            |          |    | --    |
| 0040   | GUGO01946 | 00001946         | O-RING D. 9.13 X 2.62 VIT 70SH | 1,00                            |          |    | --    |



| Ref. Part n. | Cust. part n. | Description                | Reference           | Price |
|--------------|---------------|----------------------------|---------------------|-------|
| KTRI40243    |               | KIT P 26- 26 SWIVEL G 5100 | 0015 0016 0017      | --    |
| KTRI40414    |               | KIT P 26- 34 G 6000        | 0002 0003 0005 0006 | --    |