

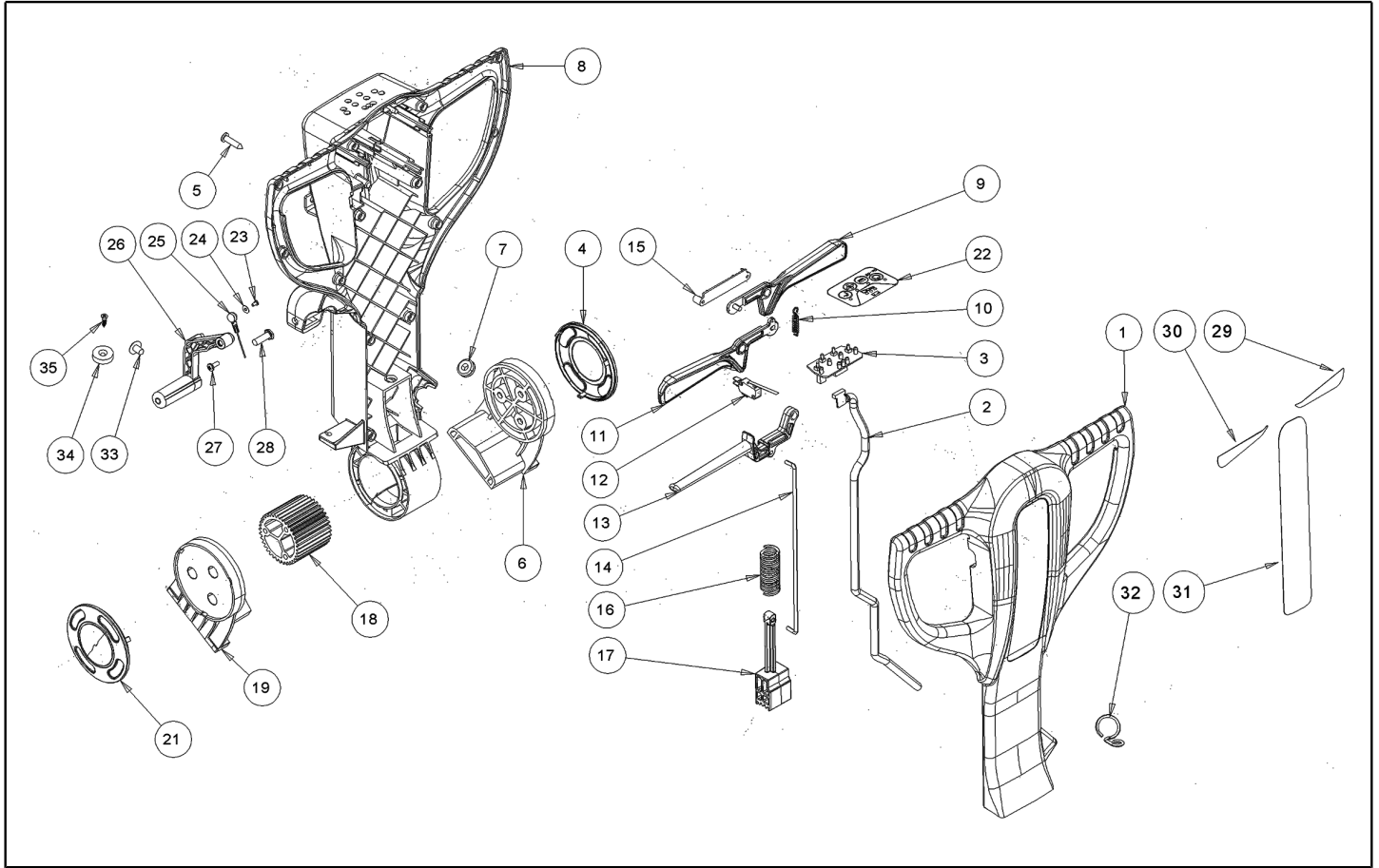


**IPC**

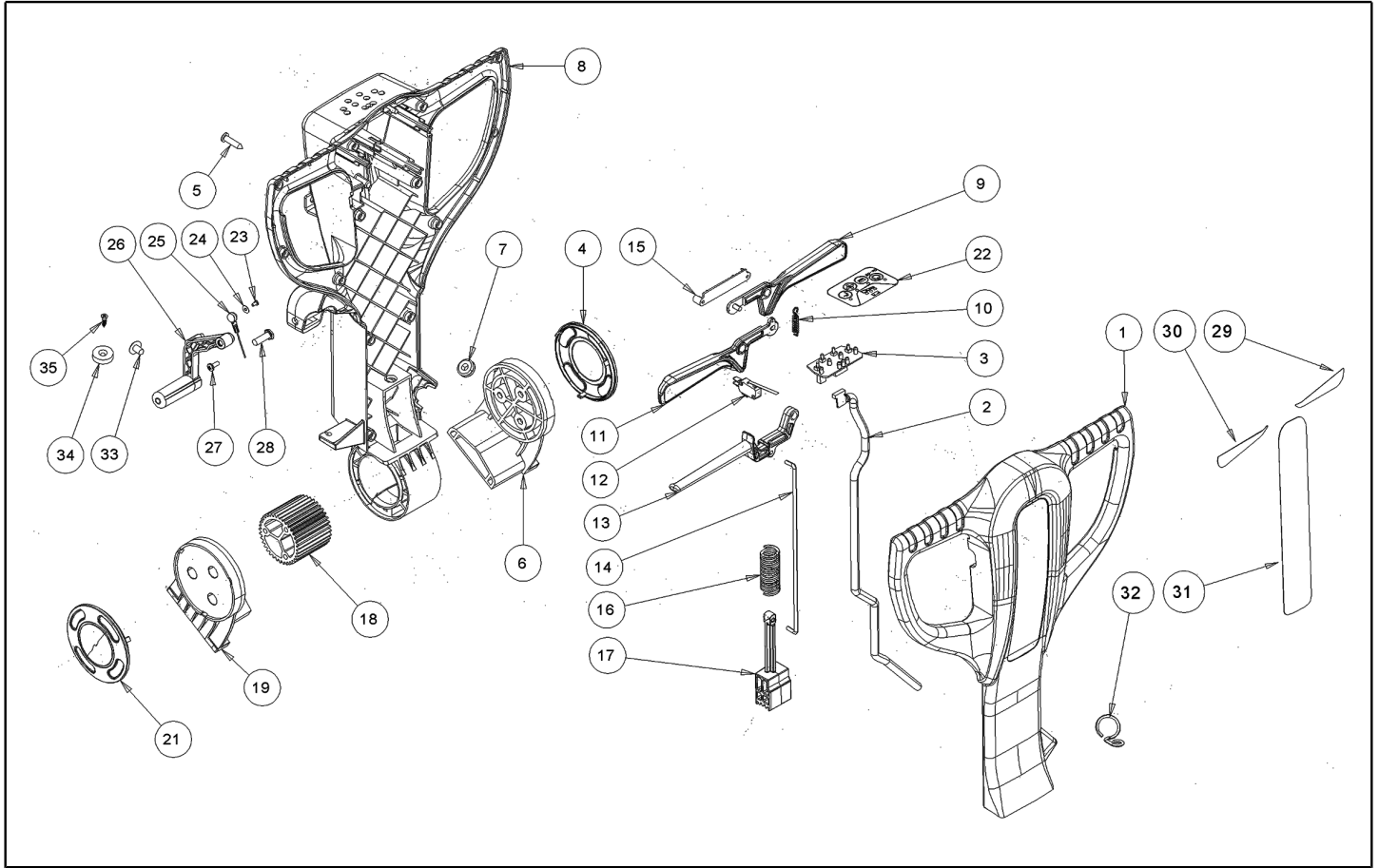
**Spare parts list**

Ref: LPTB01805

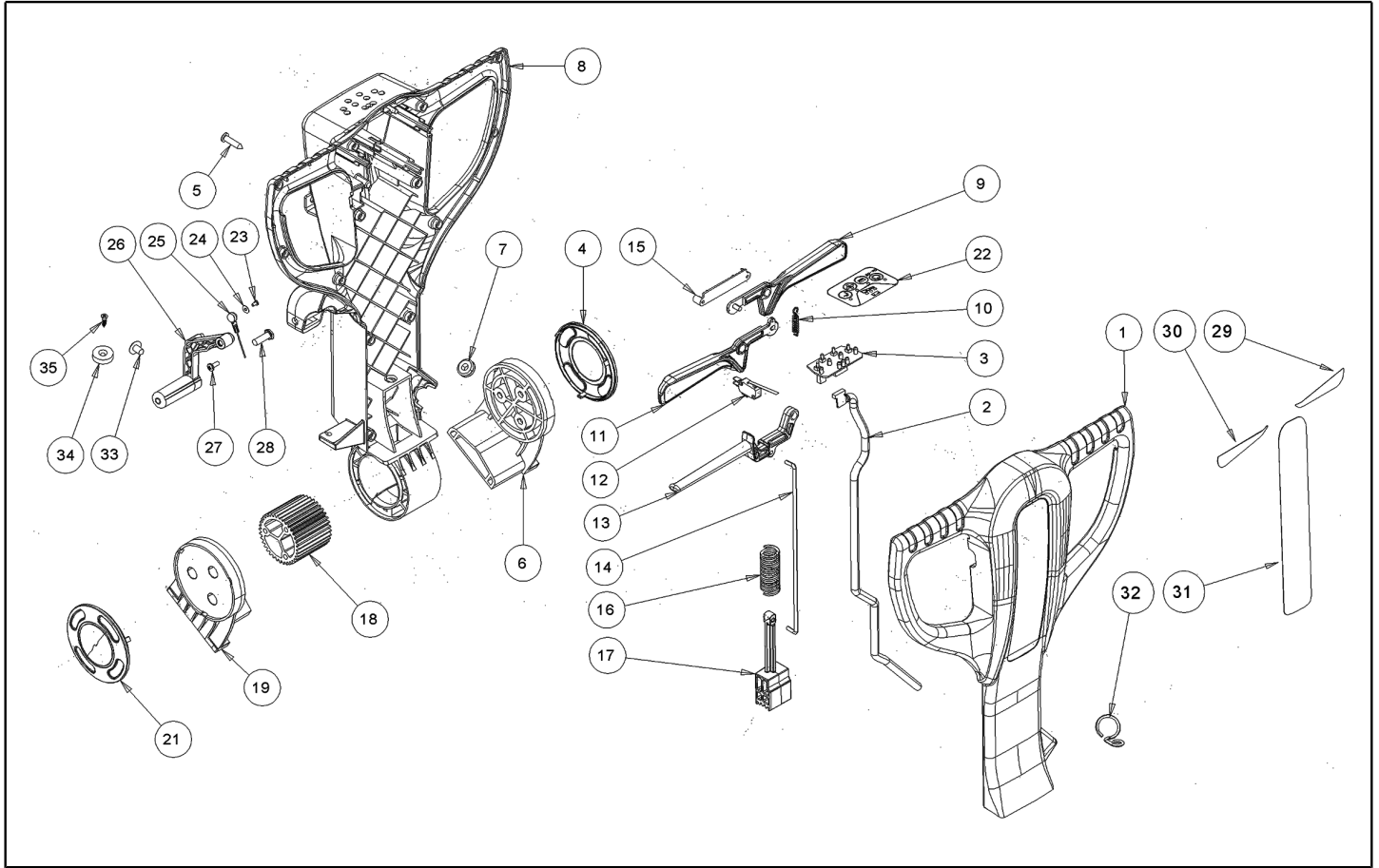
Model: FLOOR WASHER CT46 B50+CB+BAT GR/VE



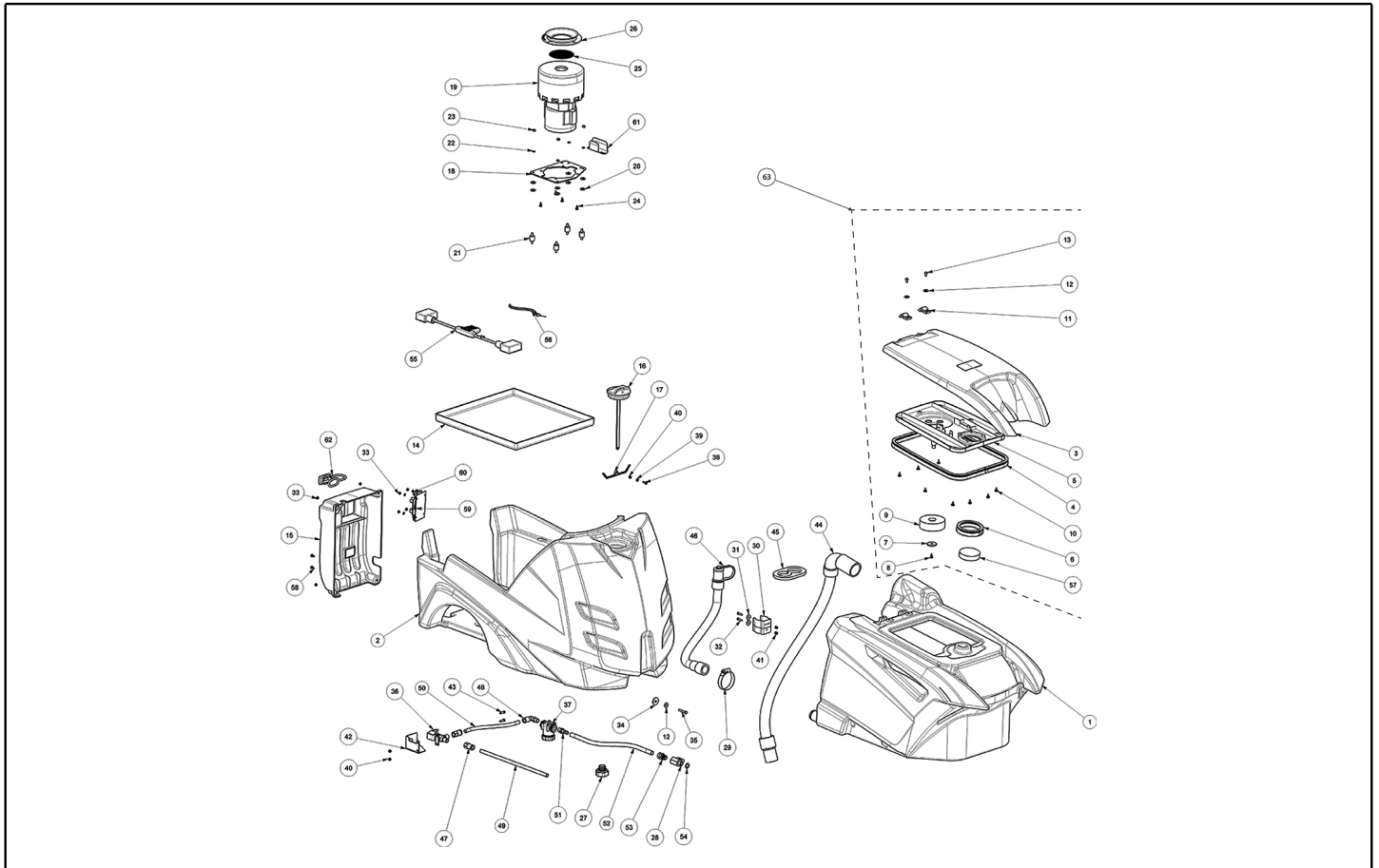
Ref. K	Part n.	Part n. 2	Description	Quantity	Validity		Price
					From	To	
0001	MPVR06046		CRANKCASE NEW HANDLE FRONT 15-30-45	1,00			--
0002	MECB01326		WIRING FLAT CABLE CT45	1,00		20/09/2015	--
0002	MECB01257		CABLE RIBBON CT15	1,00	21/09/2015	25/11/2015	--
0002	MECB01396		WIRING RIBBON ROUND FLAT CT15-30	1,00	26/11/2015		--
0003	MECE00579		BOARD LOGIC CT45 24V	1,00		20/09/2015	--
0003	S MECE00605		BOARD LOGIC CT30 24V	1,00	21/09/2015	15/06/2016	--
0003	MECE00740		BOARD LOGIC CT15-30-45-46 B	1,00	16/06/2016		--
0004	MPVR06055		COVER -	1,00			--
0005	VTVT01371		SCREW 4,8X19	14,00			--
0006	MPVR06054		SHELL SX	1,00			--
0007	MPVR06057		FAIR-LEAD HANDLE CT15	1,00			--
0008	MPVR06047		CRANKCASE -	1,00			--
0009	MPVR06048		LEVER SX	1,00			--
0010	MLML00336		SPRING -	1,00			--
0011	MPVR06049		LEVER DX	1,00			--
0012	MECI36393		MICROSWITCH ACTIVATION TRCTN.	1,00			--
0013	MPVR06050		LEVER ADJUSTMENT	1,00			--
0014	LAFN09221		LEVER RINVIO	1,00			--
0015	MPVR06298		SUPPORT ELECTRONIC CARD	1,00			--
0016	MLML00337		SPRING -	1,00			--
0017	MPVR06052		HANDLE SUPPORT	1,00			--
0018	MPVR06056		GEAR -	1,00			--
0019	MPVR06053		SHELL DX	1,00			--
0021	MPVR06055		COVER -	1,00			--
0022	ETET01780		LABEL -	1,00		20/09/2015	--
0022	ETET01842		LABEL DASHBOARD CT15-30-45 ECO	1,00	21/09/2015		--
0023	VTVT00800		SCREW TC 4X12 ZN	1,00	22/09/2014		--
0024	VTRS00251		WASHER 4-16 INOX A2	1,00	22/09/2014		--
0025	CMCV00364		CABLE LIFTING SQUEEGEE CT45 NEW	1,00	22/09/2014		--
0026	MPVR49942		LEVER SQUEEGEE LIFTING PP	1,00	22/09/2014		--
0027	VTVT00796		SCREW TC 6X12	1,00	22/09/2014		--
0028	LAFN09248		PIN -	1,00	22/09/2014		--
0029	ETET01775		LABEL CT15 BLUE	1,00			--
0029	ETET01773		LABEL CT15 RED	1,00			--
0029	ETET01770		LABEL CT15 GREEN	1,00			--
0030	ETET01775		LABEL CT15 BLUE	1,00			--
0030	ETET01773		LABEL CT15 RED	1,00			--
0030	ETET01770		LABEL CT15 GREEN	1,00			--
0031	ETET01774		LABEL CT15 BLUE	1,00			--
0031	ETET01772		LABEL CT15 RED	1,00			--
0031	ETET01769		LABEL CT15 GREEN	1,00			--
0032	LAFN11049		HOOK -	1,00	15/04/2016		--
0033	VTVT01485		SCREW 4,8X9,5 ZN	1,00	10/06/2019		--
0034	MEVR02573		MAGNET ND D.16 F.3,5 H=5,0	1,00	10/06/2019		--



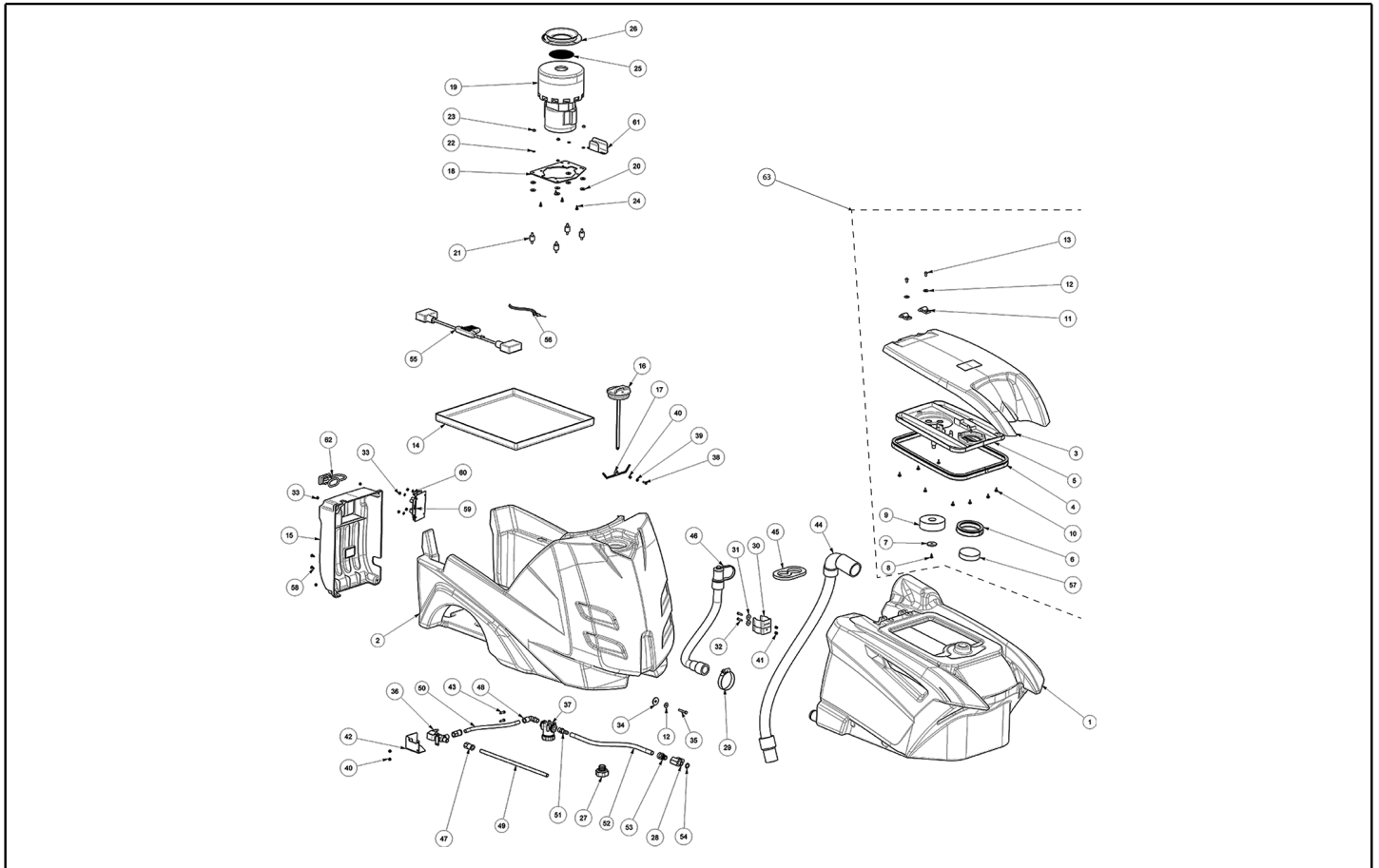
Ref. K	Part n.	Part n. 2	Description	Quantity	Validity		Price
					From	To	
0035	VTVT01594		SCREW VITE TSPC 3x12	1,00	10/06/2019		--



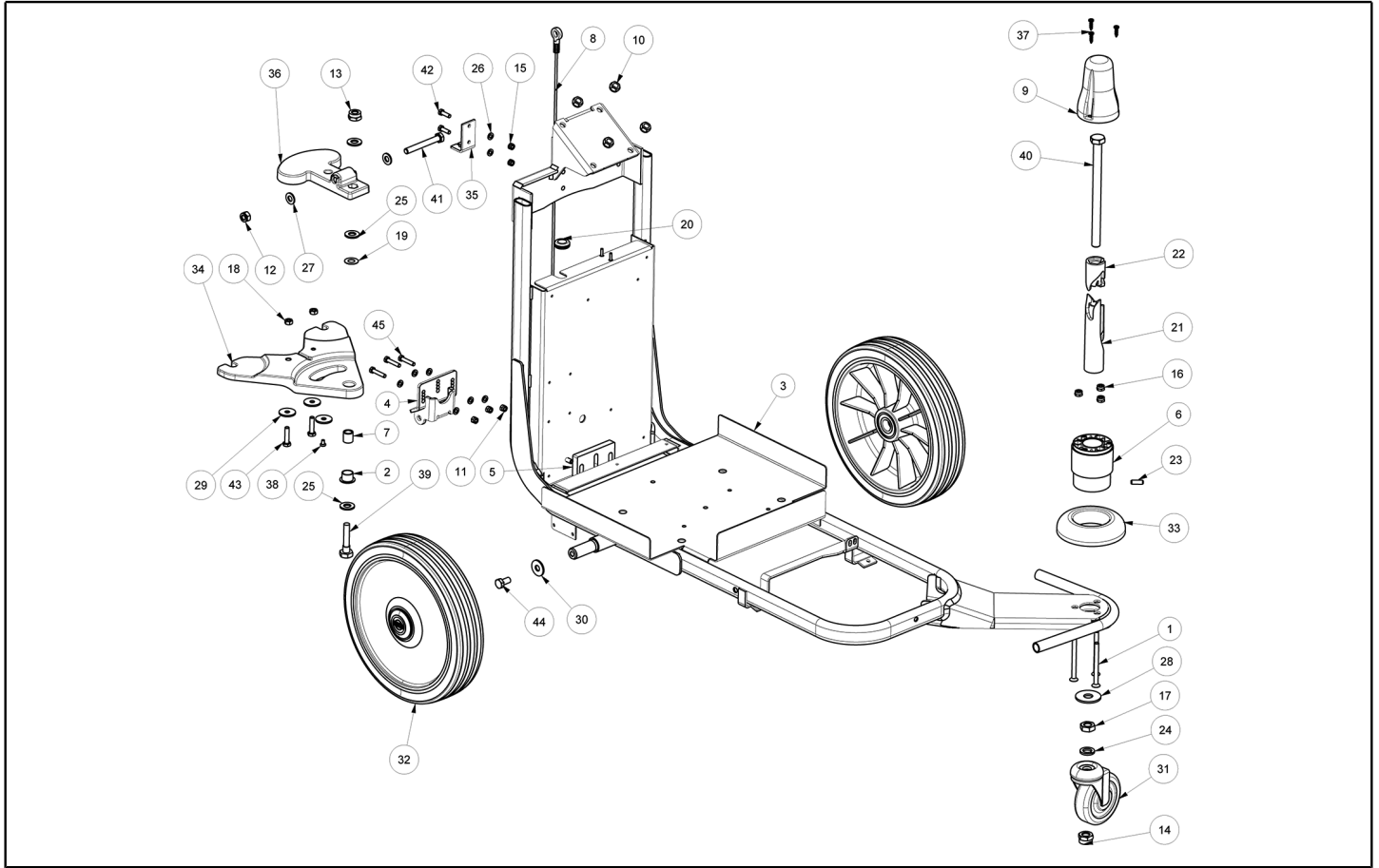
Ref. Part n.	Part n. 2	Description	Reference	Price
KTRI04750		KIT NEW PCB CT30B AND CT45B	0003	--



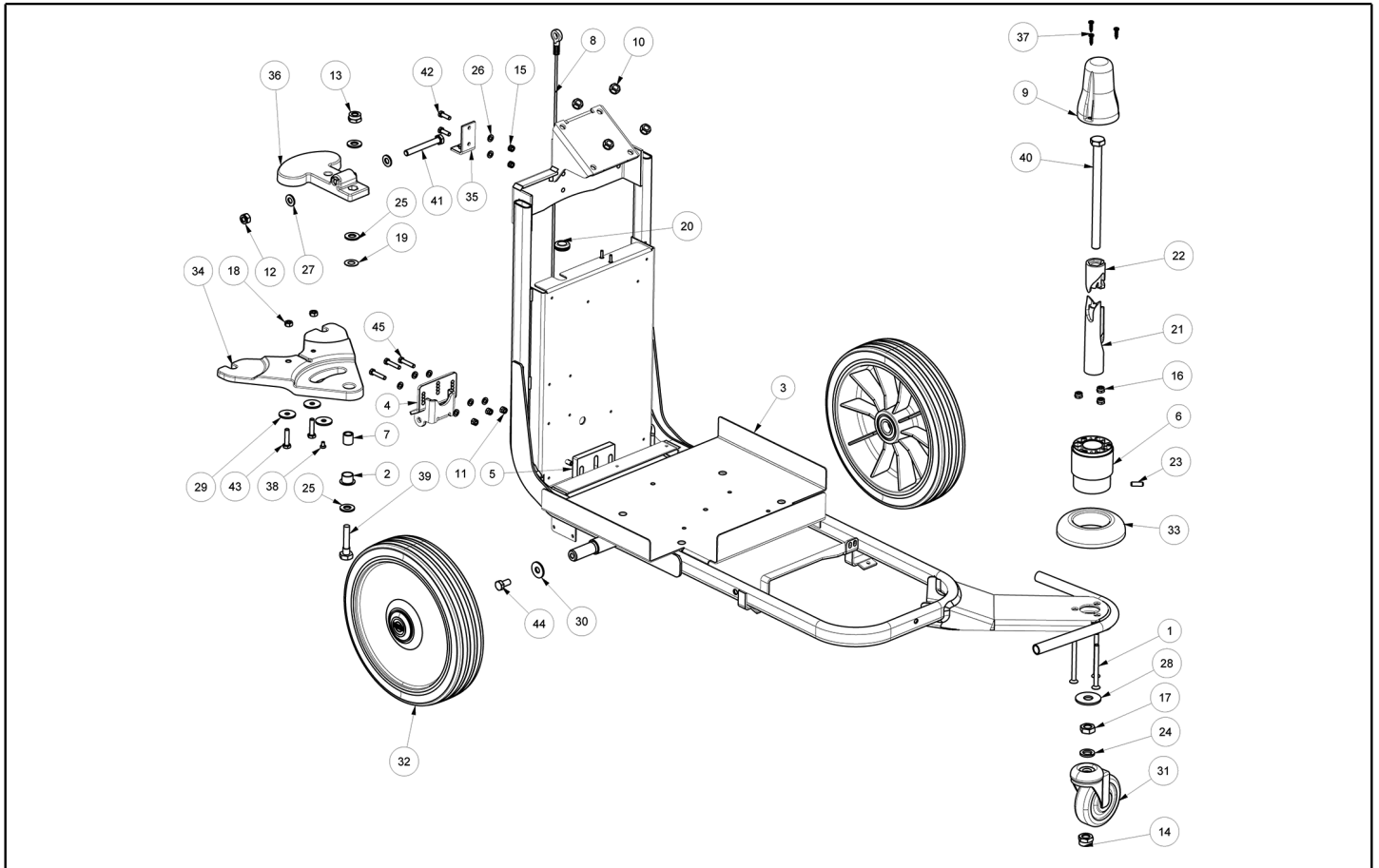
Ref. K	Part n.	Part n. 2	Description	Quantity	Validity		Price
					From	To	
0001	MPVR10598		TANK RECOVERY CT46 GREEN	1,00			--
0002	MPVR10599		TANK SOLUTION CT46 RAL7024	1,00			--
0003	MPVR10715		COVER CT46	1,00			--
0004	GUVR01018		GASKET	1,00			--
0005	MPVR10716		BASE CT46	1,00			--
0006	GUVR01017		GASKET	1,00			--
0007	VTRS00573		WASHER 30x6x3	1,00			--
0008	VTVT48694		SCREW TCB TC 5 X12 UNI 9707 TZ	1,00			--
0009	MPVR05836		FLOATER RECOVERY TANK LID	1,00			--
0010	VTVT01694		SCREW SELF TAPPING 4.8X9.5 SUS	9,00			--
0011	MPVR10718		HINGE CT46	2,00			--
0012	VTRS13750		WASHER D. 5X14 INX	3,00			--
0013	VTVT00805		SCREW TBEI M. 5-10	2,00			--
0014	LAFN35588		BATTERY SUPPORT CT LINE	1,00			--
0015	MPVR10769		COVER CT46	1,00			--
0016	MPVR05188		CAP SOLUTION TANK	1,00			--
0017	MPVR08038		PLATE CT15-30	1,00			--
0018	LAFN08894		PLATE -	1,00			--
0019	MOCC00397		MOTOR VACUUM CT15-30-45-46	1,00			--
0020	VTRS13750		WASHER D. 5X14 INX	8,00			--
0021	ABGO00052		VIBRATION DAMP. -	4,00			--
0022	VTRS15908		WASHER D. 5 INX GRW UNI 1751	4,00			--
0023	VTDD07727		NUT M 5 INOX	4,00			--
0024	VTVT48694		SCREW TCB TC 5 X12 UNI 9707 TZ	8,00			--
0025	LAFN05830		FILTER VAC.MOTOR SUS	1,00			--
0026	GUGO00444		GASKET -	1,00		19/09/2016	--
0026	GUGO00498		GASKET	1,00	20/09/2016		--
0027	MPVR08003		CAP	1,00		24/10/2016	--
0027	MPVR10774		CAP 1/2"	1,00	25/10/2016		--
0028	RCGR00082		VALVE -	1,00			--
0029	FSVR00095		CLAMP 30-45	1,00			--
0030	MPVR46988		CLIP FIXATION DRAIN HOSE	1,00			--
0031	VTRS05904		WASHER UNI 6592 4X16 ZB	2,00			--
0032	VTVT29884		SCREW TE UNI 5739 4X16 ZB	2,00			--
0033	VTDD04368		NUT M 4 ZIN UNI 5588	4,00			--
0034	VTRS16937		WASHER 6x24 INOX UNI 6593	1,00			--
0035	VTVT01376		SCREW TE M 5X 35 UNI 5739	1,00			--
0036	KTRI02139		SOLENOID VALVE CT45	1,00			--
0037	FTAC00044		FILTER CT15-CT30	1,00		15/05/2018	--
0037	FTAC00075		FILTER COMPLETE CT15-30-45 P2.3	1,00	16/05/2018		--
0038	VTVT15965		SCREW TCB-TC 4X12 UNI7687 INX	1,00			--
0039	VTRS00515		WASHER D. 4 INX	1,00			--
0040	VTDD00055		NUT M 4 ATB A2	3,00			--
0041	VTDD04369		NUT M 4 TEF UNI 7473	2,00			--



Ref. K	Part n.	Part n. 2	Description	Quantity	Validity		Price
					From	To	
0042	LAFN07948		PROTECTION SOLENOID VALVE	1,00			--
0043	VTVT15924		SCREW M4X16 UNI7687	2,00			--
0044	TBFX00357		TUBE CT45	1,00			--
0045	MPVR04659		FLANGE	1,00			--
0046	TBFX00350		TUBE HOSE DRAIN CT30	1,00			--
0047	RCVR00772		CONNECTOR 1/4	2,00			--
0048	RCVR00773		CONNECTOR 1/4	1,00			--
0051	RCVR00807		CONNECTOR 10 1/4	1,00			--
0053	RCVR00784		CONNECTOR -	1,00			--
0054	GUGO31088		O-RING D. 12 X 2.50 NBR 70SH	1,00			--
0055	MECB01943		WIRING FUSE CT 46	1,00			--
0056	MECB01966		WIRING	1,00			--
0057	FTDP00683		FILTER -	1,00			--
0058	MPVR10815		RIVET	2,00			--
0059	MECE00742		BOARD POWER CT15-30-45B-BT	1,00		11/11/2018	--
0059	MECE00808		BOARD POWER CT15-30-45B-BT	1,00	12/11/2018	04/04/2019	--
0059	MECE00827		BOARD POWER CT15-30-45B-BT	1,00	05/04/2019		--
0060	VTRS00377		WASHER M4	4,00		25/01/2019	--
0060	VTRS00501		WASHER D. 4 0.232 UNI 6592	4,00	26/01/2019		--
0061	LAFN11082		BRACKET -	1,00	15/06/2018		--
0062	MPVR11961		CAP PLUG ANDERSON SB50	1,00	15/06/2018		--
0063	KTRI05240		KIT COVER RECOVERY TANK CT46	1,00			--

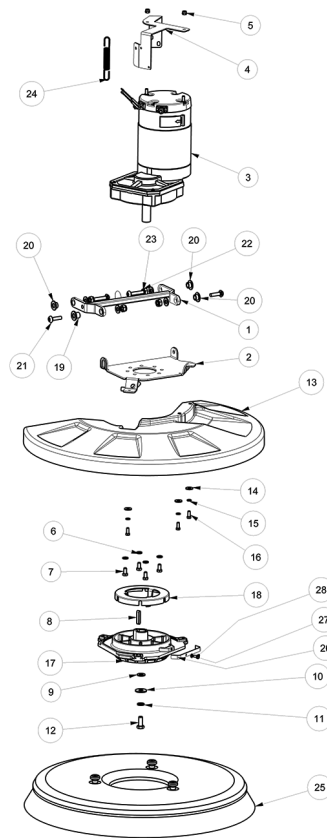


Ref. K	Part n.	Part n. 2	Description	Quantity	Validity		Price
					From	To	
0001	VTVT01160		SCREW M6x65	3,00			--
0002	CUVR00193		BUSHING -	1,00			--
0003	LAFN11041		FRAME -	1,00			--
0004	LAFN08106		COUPLING SQUEEGEE	1,00			--
0005	LAFN11083		SPACER -	1,00		07/09/2017	--
0005	MPVR11193		SPACER CT46	1,00	08/09/2017		--
0006	MPVR07136		BUSHING -	1,00			--
0007	LAFN08067		BUSHING CT45	1,00			--
0008	CMCV00364		CABLE LIFTING SQUEEGEE CT45 NEW	1,00			--
0009	MPVR07133		COVER -	1,00			--
0010	VTDD00124		NUT M8 DIN985	4,00			--
0011	VTDD15517		NUT M 5 INX	3,00			--
0012	VTDD01695		NUT M 8 INX	1,00			--
0013	VTDD10310		NUT AUTOBL.M10 INOX DIN 985	1,00			--
0014	VTDD00176		NUT M.12 INOX A2 BASSO AUTOB.	1,00			--
0015	VTDD01693		NUT M 5 INX	2,00			--
0016	VTDD01694		NUT M6 INOX	3,00			--
0017	VTDD00502		NUT M12	1,00			--
0018	VTDD15520		NUT M 6 A2 UNI 5588 INX	2,00			--
0019	MLML34767		SPRING D.10.2 X20	1,00			--
0020	MEVR00686		FAIR-LEAD DIAMETER 15.5	1,00			--
0021	MPVR06462		PIN -	1,00			--
0022	MPVR06461		PIN -	1,00			--
0023	VTVT01382		PIN -	1,00			--
0024	VTRS15919		WASHER D.12 GROVER UNI 1751 INX	1,00			--
0025	VTRS15523		WASHER D.10 X21 INOX UNI 6592	3,00			--
0026	VTRS00516		WASHER D. 5 INX	8,00			--
0027	VTRS13947		WASHER D. 8 INX UNI 6592	2,00			--
0028	VTRS09142		WASHER UNI 6593 12X36X2,5	1,00			--
0029	VTRS16937		WASHER 6x24 INOX UNI 6593	3,00			--
0030	VTRS00512		WASHER D. 8 X24 ZC.	2,00			--
0031	RTRT00550		WHEEL -	1,00		23/02/2017	--
0031	RTRT00633		WHEEL -	1,00	24/02/2017		--
0032	RTRT00537		WHEEL GRAY d.250 CT15-30-45	2,00			--
0033	MPVR07134		WHEEL -	1,00			--
0034	MFVR00224		ARTICULATION SQUEEGEE SUPPORT CT45	1,00			--
0035	LAFN09365		BRACKET -	1,00			--
0036	MFVR00223		SUPPORT SQUEEGEE CT45	1,00			--
0037	VTVT00044		SCREW TC AF.X PLAS UNI9707 4X16	3,00			--
0038	VTVT00881		SCREW TC+ M4x6 TRILOBATA INOX	1,00			--
0039	VTVT01169		SCREW TE M10X45	1,00			--
0040	VTVT01171		SCREW TE M12x170 UNI5737	1,00			--
0041	VTVT00757		SCREW	1,00			--
0042	VTVT07725		SCREW TE 5X16 UNI5739 INX	2,00			--

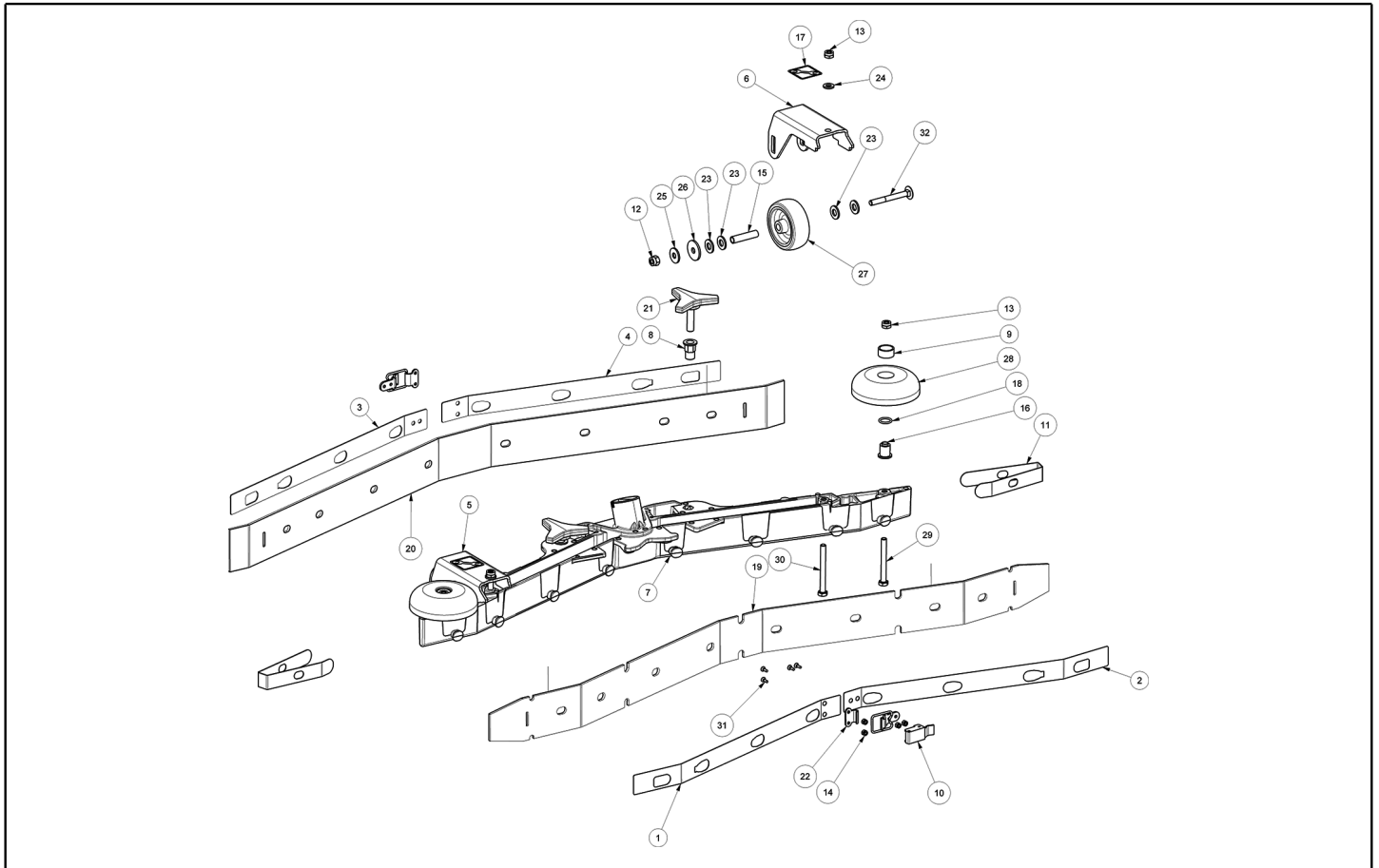


Ref. K	Part n.	Part n. 2	Description	Quantity	Validity		Price
					From	To	
0043	VTVT15141		SCREW TE M 6X 25 UNI 5739 INX	2,00			--
0044	VTVT01110		SCREW TE 8X16 UNI5739	2,00			--
0045	VTVT00766		SCREW TE M. 5-25	3,00			--

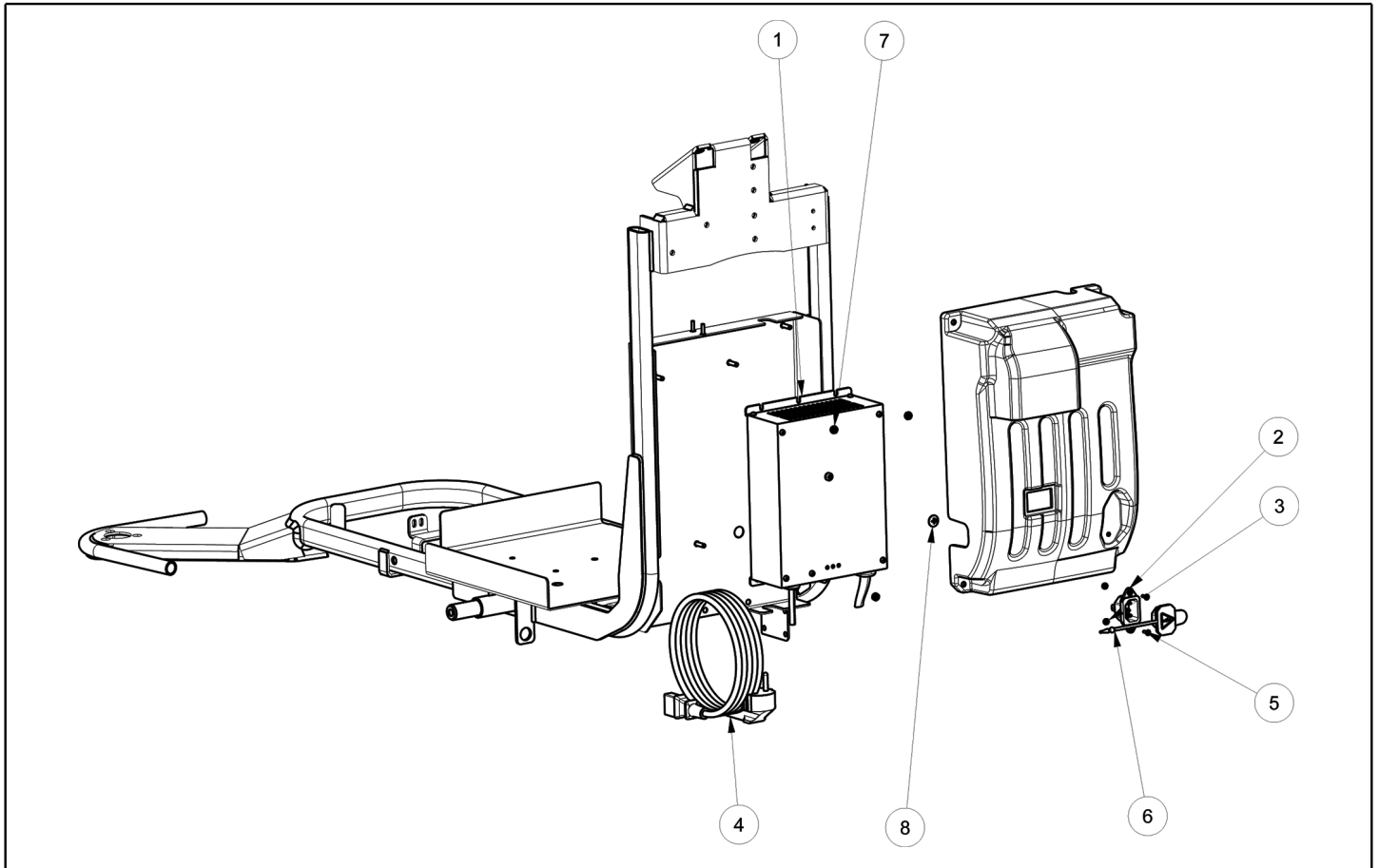




Ref. K	Part n.	Part n. 2	Description	Quantity	Validity		Price
					From	To	
0001	LAFN07910		BRACKET -	1,00			--
0002	LAFN07905		SUPPORT BRUSH MOTOR CT30-45	1,00			--
0003	MOCC00426		MOTOR 24V 20A 400W IP44	1,00			--
0004	LAFN08083		BRACKET -	1,00			--
0005	VTDD01693		NUT M 5 INX	2,00			--
0006	VTRS15144		WASHER D. 6 INX GRW UNI 1751	4,00			--
0007	VTVT15906		SCREW TE 6X 12 A2 UNI 5739	4,00			--
0008	VTVR16617		KEY 6X 6X30 UNI 6604	1,00			--
0009	VTRS13947		WASHER D. 8 INX UNI 6592	5,00			--
0010	VTRS13946		WASHER D. 8 X24 INX UNI 6593	1,00			--
0011	VTRS15146		WASHER GROVER A2 UNI1751	1,00			--
0012	VTVT13938		SCREW TE 8X20 UNI5739 INX	1,00			--
0013	MPVR06243		COVER CT45	1,00			--
0014	VTRS13750		WASHER D. 5X14 INX	3,00			--
0015	VTRS15908		WASHER D. 5 INX GRW UNI 1751	3,00			--
0016	VTVT01300		SCREW TE M5X12 INOX	3,00			--
0017	MFVR00212		DRIVE DISK ALUMINIUM	1,00			--
0018	MPVR06045		CONVEYOR -	1,00		15/09/2017	--
0019	LAFN51068		BUSHING LEVA POSTER.	1,00			--
0020	LAFN06391		BUSHING BRUSH DECK SUPPORT	3,00			--
0021	VTVT01195		SCREW TBEI M 8X 25 ISO 7380 IX	2,00			--
0022	VTDD01695		NUT M 8 INX	4,00			--
0023	VTVT01378		SCREW TBEI M8X35	2,00			--
0024	MLML00340		SPRING -	1,00			--
0025	SPPV01332		BRUSH D.500 NYLON	1,00			--
0026	MLML00477		SPRING -	1,00	03/03/2017		--
0027	VTVT21887		SCREW TCB-TC 4X10 8112	1,00	03/03/2017		--
0028	VTRS15913		WASHER D. 4 GROVER A2 UNI1751	1,00	03/03/2017		--



Ref. K	Part n.	Part n. 2	Description	Quantity	Validity		Price
					From	To	
0001	LAFN09275		BLADE HOLDER FRONT RIGHT XS	1,00			--
0002	LAFN09276		BLADE HOLDER FRONT LEFT XS	1,00			--
0003	LAFN09277		BLADE HOLDER REAR RIGHT XS	1,00			--
0004	LAFN09278		BLADE HOLDER REAR LEFT XS	1,00			--
0005	LAFN09216		SUPPORT DX	1,00			--
0006	LAFN09217		SUPPORT SX	1,00			--
0007	MFVR00143		BODY SQUEEGEE PRESSOFUSO	1,00			--
0008	VTVR00567		INSERT -	2,00			--
0009	MPVR49229		BUSHING SHK	2,00			--
0010	LAFN09302		CLOSURE -	2,00			--
0011	MPVR05897		CLOSURE S	2,00			--
0012	VTDD15518		NUT M 6 INX	2,00			--
0013	VTDD01694		NUT M6 INOX	4,00			--
0014	VTDD00210		NUT M 3 AUTOBL.DIN 985 IX.A2	8,00			--
0015	LAFN07589		SPACER -	2,00			--
0016	LAFN04100		SPACER FOR BUMPER WHEEL	2,00			--
0017	ETET01817		LABEL -	2,00			--
0018	GUGO00164		GASKET	2,00			--
0019	MPVR06287		BLADE XS 3MM LATEX	1,00			--
0020	MPVR06288		BLADE XS 3MM LATEX	1,00			--
0021	MPVR06004		KNOB SQUEEGEE YELLOW M8X30	2,00			--
0022	LAFN09301		SOCKET -	2,00			--
0023	VTRS00274		WASHER NYLON 66 D.8,4-17-2 UNI	8,00			--
0024	VTRS00245		WASHER D.6 UNI 6592 INOX	2,00			--
0025	VTRS13945		WASHER D. 6X18 INX UNI 6593	2,00			--
0026	VTRS16937		WASHER 6x24 INOX UNI 6593	2,00			--
0027	RTRT00398		WHEEL d.60 HOLE 8	2,00			--
0028	MPVR06105		WHEEL BUMPER D.80 H=22	2,00			--
0029	VTVT00655		SCREW TE M. 6-55	2,00			--
0030	VTVT17342		SCREW TE M 6X 60 UNI 5739 INX	2,00			--
0031	VTVT01070		SCREW TSTC M3X8	8,00			--
0032	VTVT01206		SCREW M6X55	2,00			--



Ref. K	Part n.	Part n. 2	Description	Quantity	Validity		Price
					From	To	
0001	BACA00194		BATTERY-CHARGER	1,00			--
0002	MEVR02074		PLUG IEC	1,00			--
0003	VTDD00001		NUT UNI 5588 M3 ZB	2,00			--
0004	MECB00922		EXTENSION 3x0,75 SHUKO PLUG	1,00			--
0005	VTVT00035		SCREW M 3X 8 TS TC ZC	2,00			--
0006	MPVR10801		CAP IEC	1,00			--
0007	VTDD04368		NUT M 4 ZIN UNI 5588	3,00			--
0008	ETET00762		ADHESIVE SIMBOLO TERRA	1,00			--