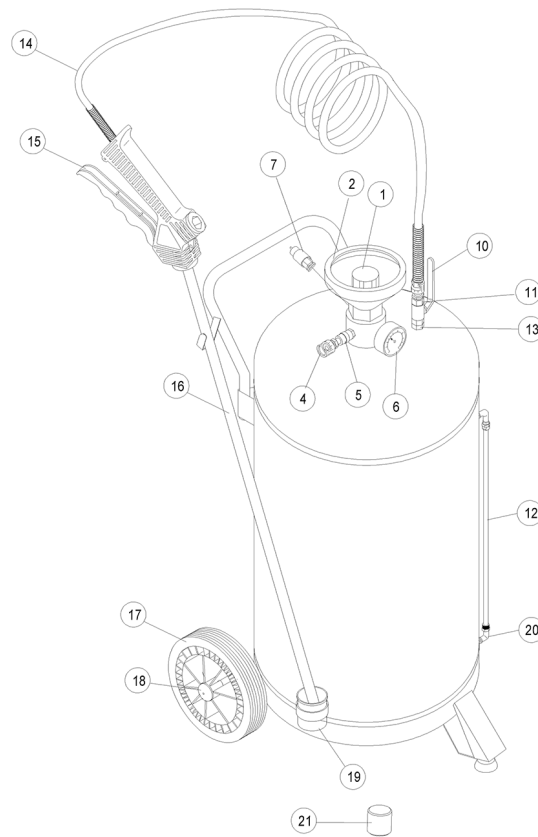




IPC

Spare parts list

Ref: NBNB00011
Model: ATOMIZER 50 LT ROSSO



| Ref. K | Part n. | Part n. 2 | Description | Quantity | Validity | | Price |
|--------|-----------|-----------|-------------------------------------|----------|----------|----|-------|
| | | | | | From | To | |
| 0001 | VVSC26402 | | CAP CON VALVOLA 7 BAR | 1,00 | | | -- |
| 0002 | MPVR26403 | | MOUTHPIECE DI RIEMPIMENTO | 1,00 | | | -- |
| 0004 | RCGR26412 | | TAP CORSOIO 1/4" | 1,00 | | | -- |
| 0005 | RCGR26412 | | TAP CORSOIO 1/4" | 1,00 | | | -- |
| 0006 | MNMN85082 | | PRESSURE GAUGE 1/4" D.50 | 1,00 | | | -- |
| 0007 | VVSC00008 | | VALVE SICUREZ.TARATURA 6,6BAR | 1,00 | | | -- |
| 0010 | RCGR26411 | | VALVE A SFERA 1/4"FF | 1,00 | | | -- |
| 0011 | RCDS85158 | | CONNECTOR X DADO FRESATO 1/4" CH.17 | 1,00 | | | -- |
| 0011 | RCIN26471 | | NUT FRESATO 1/4" | 1,00 | | | -- |
| 0012 | TBBP00014 | | TUBE RILSAN X LIVELLO LT.50 | 1,00 | | | -- |
| 0013 | RCVR00076 | | REDUCTION X NEBULIZZATORE (OTTONE) | 1,00 | | | -- |
| 0014 | TBBP26302 | | TUBE RILSAN BB BLU 8X6X9 | 1,00 | | | -- |
| 0015 | IPIP26453 | | GRIP SPRAYER GUN | 1,00 | | | -- |
| 0016 | LCPR00003 | | LANCE HOSE LUNGA mm.910 ZINCATO | 1,00 | | | -- |
| 0017 | RTRT00007 | | WHEEL GAMMA D.160 | 2,00 | | | -- |
| 0018 | RTRT00006 | | WHEEL'S COVER CROMATA D.20 | 2,00 | | | -- |
| 0019 | MPVR26458 | | LANCE REST | 1,00 | | | -- |
| 0020 | RCVR00009 | | CONNECTOR ANGOLO 1/4" 8X10 | 2,00 | | | -- |
| 0021 | RCVR00028 | | CAP 1/2" CON ESAGONO INTERNO | 1,00 | | | -- |