



IPC

Spare parts list

Ref: ASDO13652

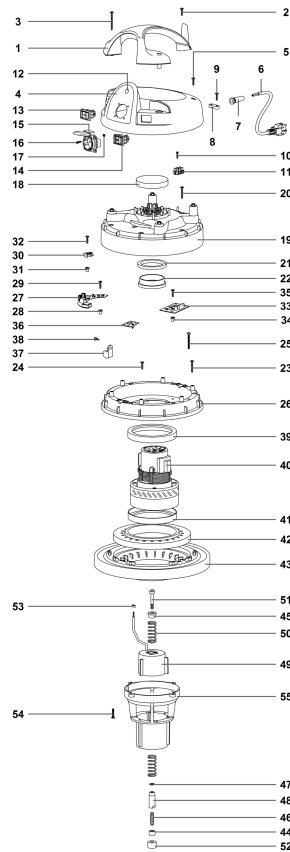
Model: VACUUM CLEANER GS1/25 OPT M TC SP13



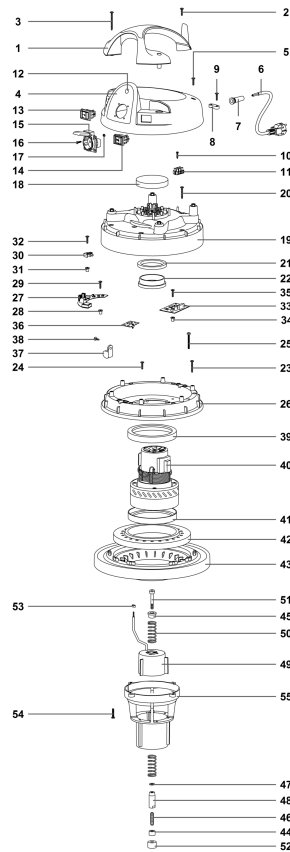
IPC Integrated Professional Cleaning

IPC Soteco

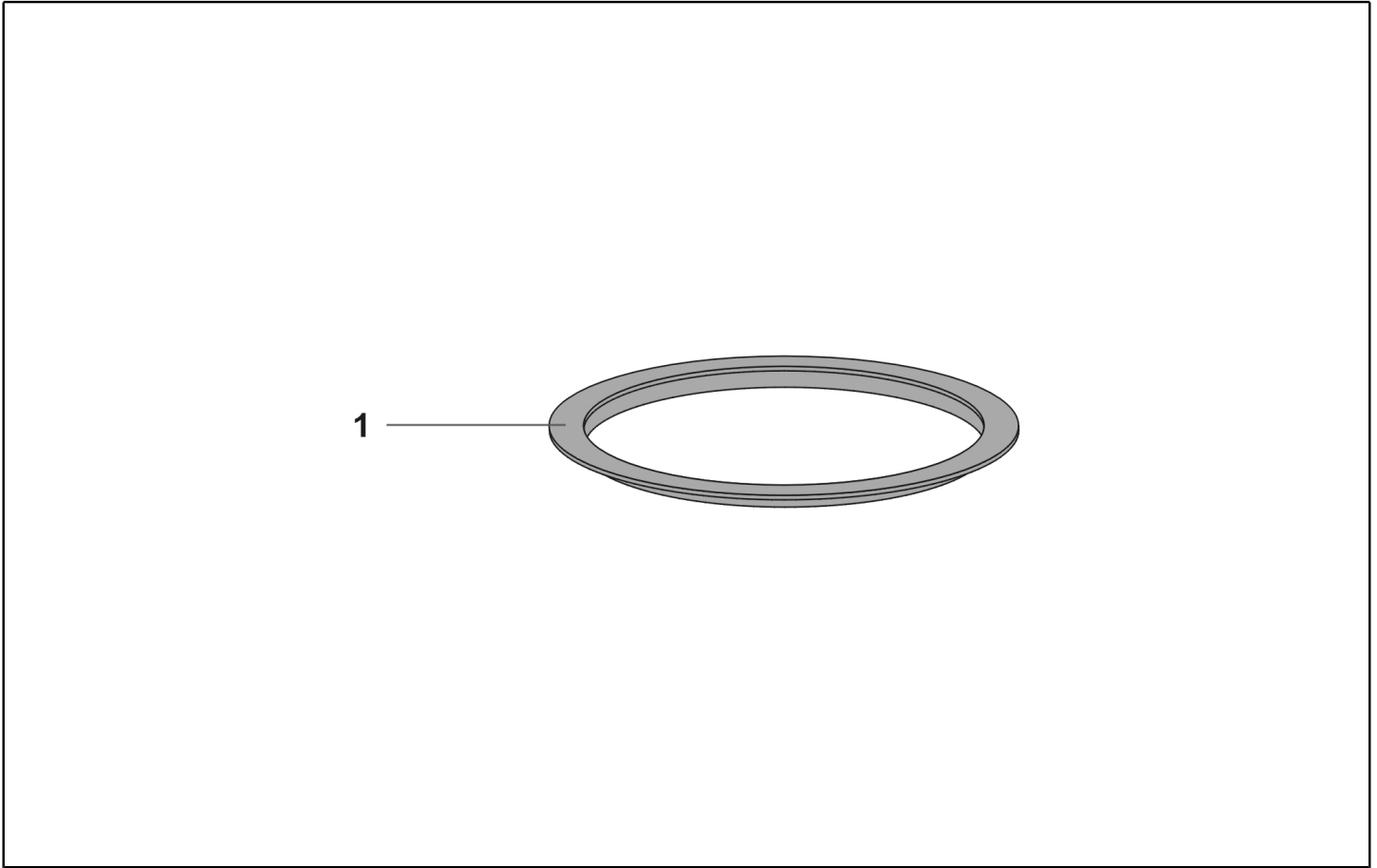
Ref. K	Part n.	Part n. 2	Description	Quantity	Validity		Price
					From	To	
0001	PMTA09050		HEAD TOPPER 515/2SLTC SP13/A D	1,00			--
0002	MPVR07732		RING FILTER HOLD SERIE 500SH C	1,00			--
0003	FTDP00367		CARTRIDGE POLY 310X175X245 COFC	1,00			--
0004	PMFU02756		DECANTER DRUM OPTIM 500 A430 S/BOCC COM	1,00			--
0005	PMFU02791		TANK OPT500 A430 CARR C/BOCC	1,00			--
0006	CARR01383		500 OPTIM TROLLEY	1,00			--
0007	FTDP00579		FILTER SACK MICROFIBRA 500/580 CL.M	1,00			--



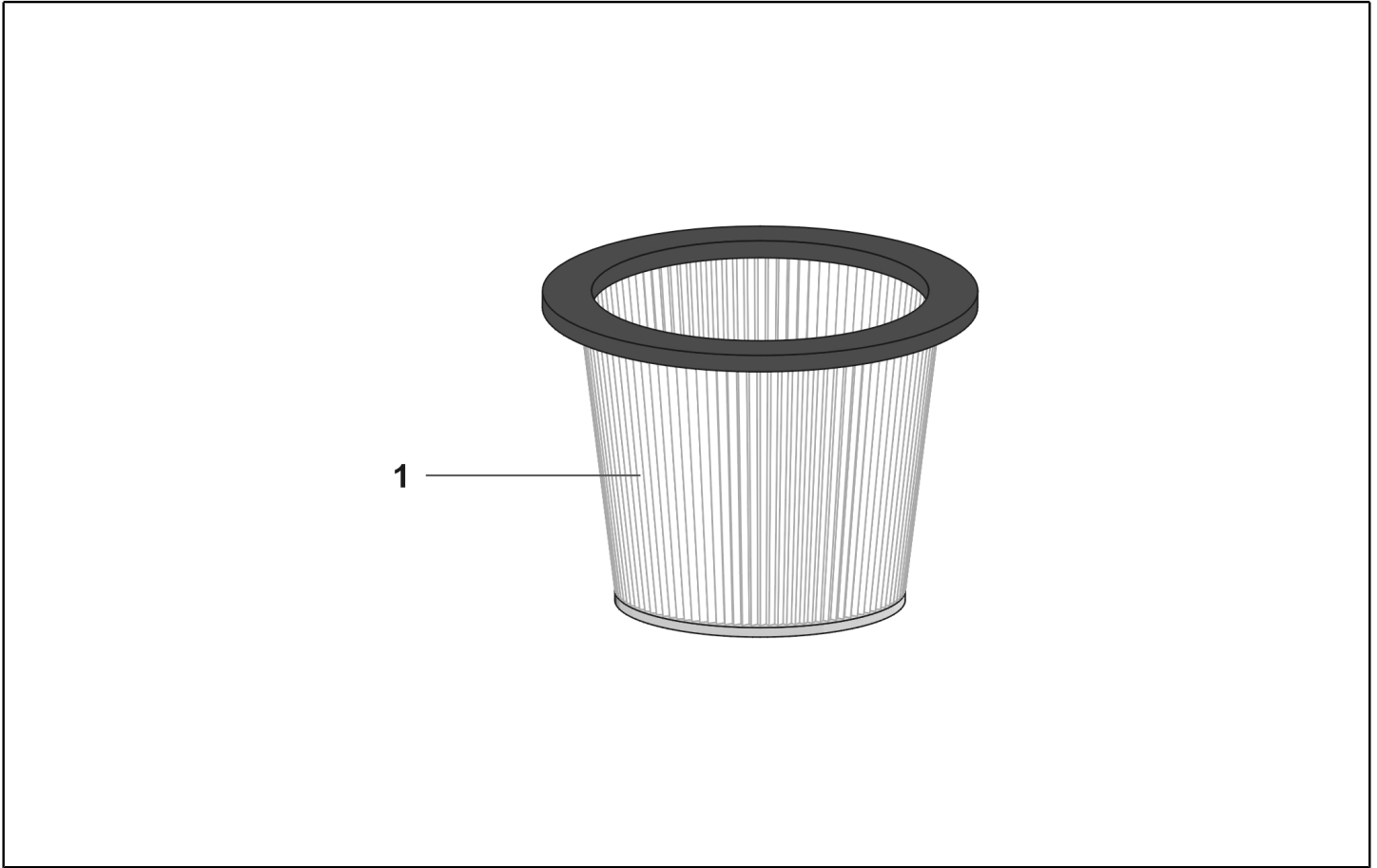
Ref. K	Part n.	Part n. 2	Description	Quantity	Validity		Price
					From	To	
*	FSVR00127		CLAMP	3,00			--
*	MECB01828		WIRING 40CM MOTOR POKE-IN-TP	1,00	31/08/2017		--
*	MECB01671		CONN.WIRE M.200-G/V-FF-5,2-S1,5	1,00			--
*	MEVR01627		FASTON	2,00			--
0001	MPVR08272		HANDLE TOPPER 500 G5000	1,00			--
0002	VTVT71961		SCREW PFU TMT PHL 5X20 ZN NERA	1,00			--
0003	VTVT40007		SCREW PAT TMT PHL 5X55 BLACK	2,00			--
0004	PMVR06362		COVER TOPPER 500 X SH TC DRY NE	1,00			--
0005	VTVT71961		SCREW PFU TMT PHL 5X20 ZN NERA	2,00			--
0006	MECB28740		ELECTRIC CORD 3X1,5 MT 8,5	1,00			--
0007	MEVR28673		FAIRLEAD	1,00			--
0008	MPVR28690		CABLE CLAMP	1,00			--
0009	VTVT71961		SCREW PFU TMT PHL 5X20 ZN NERA	1,00			--
0010	VTVT01453		SCREW VITE TC PZ 4.2X16 ZN NERA	1,00			--
0011	MECB01770		TERMINAL BOARD 300-500 3P 4/C S/R	1,00			--
0012	MELF00068		WARN.LIGHT GR. YE WIR/DIRTY	1,00			--
0013	MECI28744		ANTISPLASH RED LIGHT SWITCHER	1,00			--
0014	MECI40011		ANTISPLASH COMMUT. SWITCH	1,00			--
0015	MEVR38061		SCHUKO ADD.SOCKET W/PROTECTION	1,00			--
0016	VTVT01192		SCREW TSP CROSS M 4X12 UNI 7688	4,00			--
0017	VTDD00242		NUT 4 M NYLON	4,00	01/02/2019		--
0018	FTDP38064		FILTER MTP/65 H=15 D.95	1,00			--
0019	MPVR09120		COVERING 99 S/HOLES GREY 5000	1,00			--
0020	VTVT71971		SCREW PAT TMT PHL 5X35 BLACK	6,00			--
0021	MPVR38371		WASHER H8 D85X65	1,00			--
0022	MPVR86282		RING MOTORE H=7 (15) PLAST.	1,00			--
0023	VTVT71971		SCREW PAT TMT PHL 5X35 BLACK	6,00			--
0024	VTVT71961		SCREW PFU TMT PHL 5X20 ZN NERA	4,00			--
0025	VTVT01272		SCREW TC CROSS M 5X45 UNI 7687	1,00			--
0026	PMVR06364		MOTOR FASTENER 99 X SL SH.SP13 NE	1,00			--
0027	MECE00744		PCB SP13	1,00	07/05/2016		--
0028	MPVR09681		BUSHING D.8 PLAST.AU	2,00			--
0029	VTVT01240		SCREW TC M 5X22 ZB	2,00			--
0030	MEVR02242		CLAMP W/FASTON	1,00			--
0031	MPVR35796		PLASTIC SLEEVE D.8	1,00			--
0032	VTVT72055		SCREW PFU TMT PHL 5X25 ZN BLACK	1,00			--
0033	MECE00676		PCB ANTIDISTURBO TLC 2015	1,00	07/05/2016		--
0034	MPVR09681		BUSHING D.8 PLAST.AU	2,00			--
0035	VTVT01240		SCREW TC M 5X22 ZB	2,00			--
0036	MEVR02323		BOARD DIODI X SHAKE C/CAVI E V	1,00			--
0037	MPVR10321		BLOCK "P" NYLON SMALL	1,00			--
0038	VTVT71960		SCREW PAT TMT PHL 5X14 ZN BLACK	1,00			--
0039	GUGO28683		"L" GASKET W/O HOLES H=5,5	1,00			--
0040	MOMO00354		MOTOR BD302 1000W 220-240 50/60	1,00			--



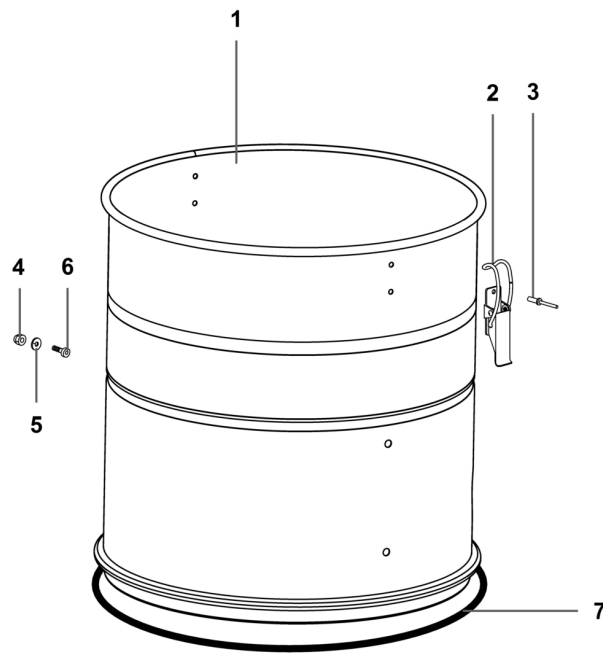
Ref. K	Part n.	Part n. 2	Description	Quantity	Validity		Price
					From	To	
0041	GUGO28683		"L" GASKET W/O HOLES H=5,5	1,00			--
0042	FTDP38067		WASHER MTP 65MM 18D 230X145	1,00			--
0043	PMBA00081		BASE 500 X SL+SP13+GU./PI. BL	1,00			--
0044	LAFN08787		SPACER SHAKER FILT. SP13 D.18X12	1,00			--
0045	LAFN08789		SPACER SHAKER FILT. SP13 D.25X14	1,00			--
0046	VTVT01271		THREADED BAR M8 L=33 ZINC	1,00			--
0047	VTRS00443		WASHER VULKOLLAN D.14X6,5 H=1	1,00			--
0048	LAFN08795		PISTON SHAKER FILT. SP13	1,00			--
0049	MEVR02160		ELECTRO-MAGNET FILTER SHAKER ELECTROMAGN	1,00			--
0050	MLML00395		SPRING SHAKER FILT. SP13 25X60	2,00			--
0051	VTVR00462		ALLEN SCREW M6X70ZN UNI5931 12,9	1,00			--
0052	LAFN88792		DUMPING BASE BELT DRIVER M8 H=20	1,00			--
0053	FSVR00147		CABLE TIE D.5 MONO LOBO	1,00			--
0054	VTVT71961		SCREW PFU TMT PHL 5X20 ZN NERA	4,00			--
0055	MPVR07322		BODY FILTER SH.	1,00			--



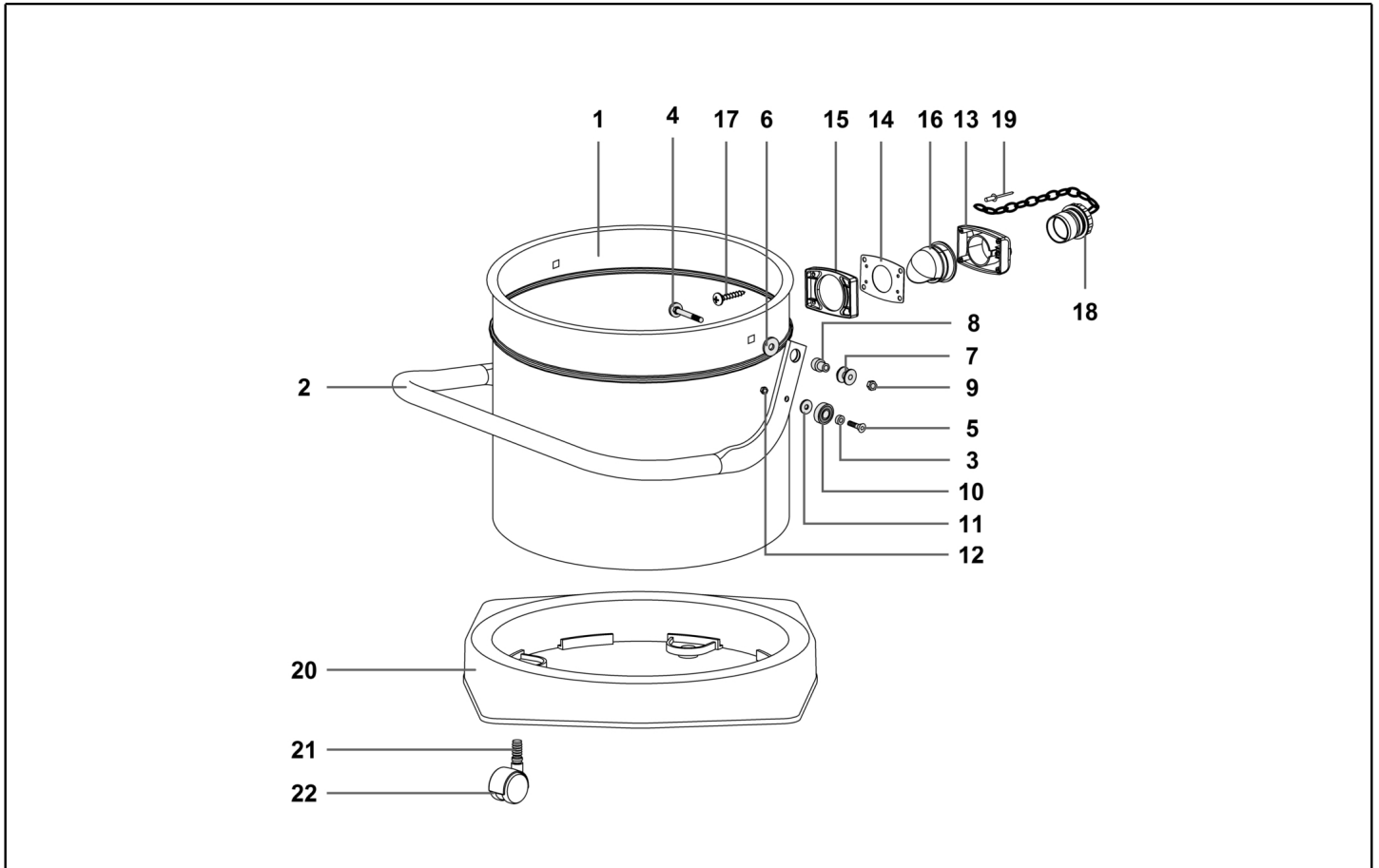
Ref. K	Part n.	Part n. 2	Description	Quantity	Validity		Price
					From	To	
	MPVR07732		RING FILTER HOLD SERIE 500SH C	1,00	17/07/2019		--
	MPVR07732		RING FILTER HOLD SERIE 500SH C	1,00	17/07/2019		--



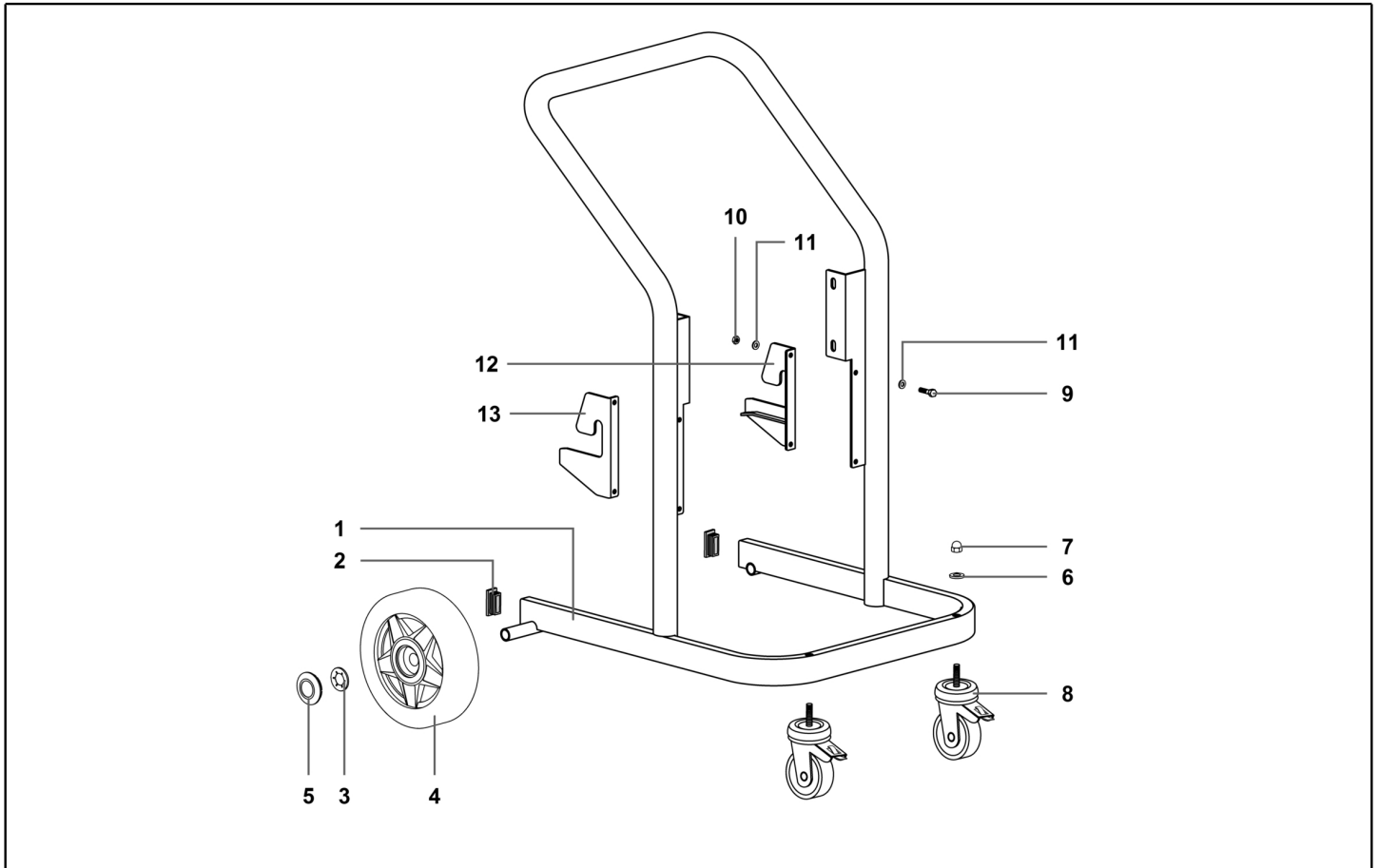
Ref. K	Part n.	Part n. 2	Description	Quantity	Validity		Price
					From	To	
0001	FTDP00367		CARTRIDGE POLY 310X175X245 COFC	1,00			--
0001	FTDP00367		CARTRIDGE POLY 310X175X245 COFC	1,00			--



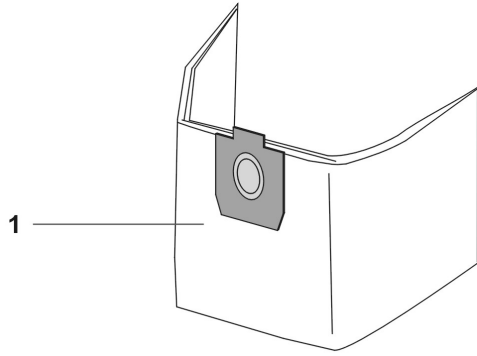
Ref. K	Part n.	Part n. 2	Description	Quantity	Validity		Price
					From	To	
0001	PMVR06542		DECANTER DRUM 500 OPTIM S/BOCCH	1,00			--
0002	CHVR40000		UNIVERSAL METAL HOOK	2,00			--
0003	VTVR71991		RIVET 5X11	4,00			--
0004	VTDD00214		NUT M 8 UNI 5721	4,00			--
0005	VTVR71963		WASHER 8X24	8,00			--
0006	VTVT01392		SCREW TBEI 8X16 UNI 7380 INOX	4,00			--
0007	GUVR00371		ROUND FOAM D.7 PER METER	1,00			--



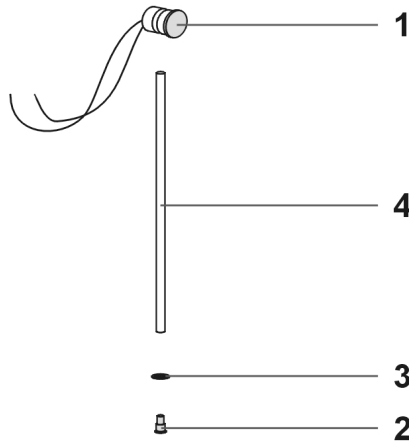
Ref. K	Part n.	Part n. 2	Description	Quantity	Validity		Price
					From	To	
0001	PMVR06543		DECANTER DRUM INF.500 OPTIM S/BOCC	1,00			--
0002	LAFN10195		LEVER FOR HOOKING UP OPTIM 500 TANK	1,00			--
0003	LAFN09498		SPACER D.9.9X6.2X5 ZN	2,00			--
0004	VTVT01277		SCREW TTQDE M 8X50 UNI 5732	2,00			--
0005	VTVT01278		SCREW M6X20 TSPEI UNI5933 ZC	2,00			--
0006	VTRS00423		WASHER GREMBIALINA M10X40 UNI659	2,00			--
0007	RCDS00090		PIN GUIDE HOOKING TANK	2,00			--
0008	LAFN08768		PIN LEVERAGGIO	2,00			--
0009	VTDD00225		SELF-LOCJ.NUT M 8 SMALL UNI 7474	2,00			--
0010	CUVR31861		BEARING 26X10X8	2,00			--
0011	VTRS00400		WASHER M 6 UNI 6592	2,00			--
0012	VTDD00230		SELF-LOCJ.NUT M 6 SMALL UNI 7474	2,00			--
0013	MPVR09061		PIPE UNION 38 BL P/YE-V A/G5 COND	1,00			--
0014	GUGO28701		GASKET D.38	1,00			--
0015	MPVR08670		GASKET R 205 CONDUCTIVE	1,00	17/05/2019		--
0016	MPVR08817		CONDUCTIVE DEFLECTOR	1,00			--
0017	VTVT71966		SCREW PAT TMT PHL 5X30 BLACK	4,00			--
0018	RCVR00936		PIPE UNION PIPE UNION D.38 COMPL.	1,00	17/05/2019		--
0019	VTVR71992		RIVET 4.8X17	1,00	17/05/2019		--
0020	MPVR07925		TROLLEY BODY QUADRO NERO	1,00			--
0021	RCVR01042		BUSH FOR MOBILE WHEEL 07885	4,00			--
0022	RTRT00457		WHEEL D.50 W/PIVOT	4,00			--



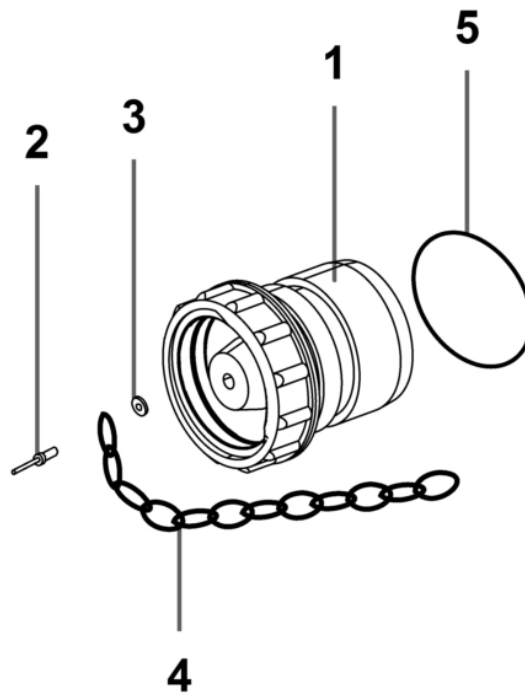
Ref. K	Part n.	Part n. 2	Description	Quantity	Validity		Price
					From	To	
0001	LAFN08736		OPTIM 500 FRAME	1,00			--
0002	MPVR06136		PLASTIC TOP 40X20	2,00			--
0003	MPVR86321		BLOC. D.18	2,00			--
0004	RTRT85069		REAR WHEEL D.200	2,00			--
0005	MPVR85070		WHEEL CAP D.200/250 BLACK	2,00			--
0006	VTRS71964		WASHER M 10	2,00			--
0007	VTDD72234		NUT M 10	2,00			--
0008	RTRT00461		WHEEL D.80 W/BRAKE SUP. ZN M10X47	2,00			--
0009	VTVT01019		SCREW TE M 6X16 UNI 5739	4,00			--
0010	VTDD00222		NUT M 6 UNI 5588	4,00			--
0011	VTRS00400		WASHER M 6 UNI 6592	8,00			--
0012	LAFN08765		HOOING DX FUSTO INF.	1,00			--
0013	LAFN08766		HOOING SX FUSTO INF.	1,00			--



Ref. K	Part n.	Part n. 2	Description	Quantity	Validity		Price
					From	To	
0001	FTDP00579		FILTER SACK MICROFIBRA 500/580 CL.M	1,00			--
0001	FTDP00579		FILTER SACK MICROFIBRA 500/580 CL.M	1,00			--



Ref. K	Part n.	Part n. 2	Description	Quantity	Validity		Price
					From	To	
0001	MEPF00035		PRESSURE SWITCH PRESS.REG.+YELLOW LIGHT 2	1,00			--
0002	RCVR00845		HOSE FITTING WARNING LIGHT	1,00			--
0003	VTRS00415		WASHER SELF-LOC. D.6 ZA6	1,00			--
0004	TBBP00547		TUBE PVC D.5X3 CM46 X WAR LIGH	1,00			--



Ref. K	Part n.	Part n. 2	Description	Quantity	Validity		Price
					From	To	
0001	RCVR01104		SLEEVE D.38 CHIUSO TORNITO	1,00	22/03/2016		--
0002	VTVR71992		RIVET 4,8X17	1,00			--
0003	VTRS00389		CRICKET M 6X18X1,5 UNI 6593	1,00			--
0004	PVVR00131		GENOVESE CHAIN GALV.N°14	0,28			--
0005	GUGO00408		O-RING D.INT. 44,12X2,62 NBR	1,00			--