

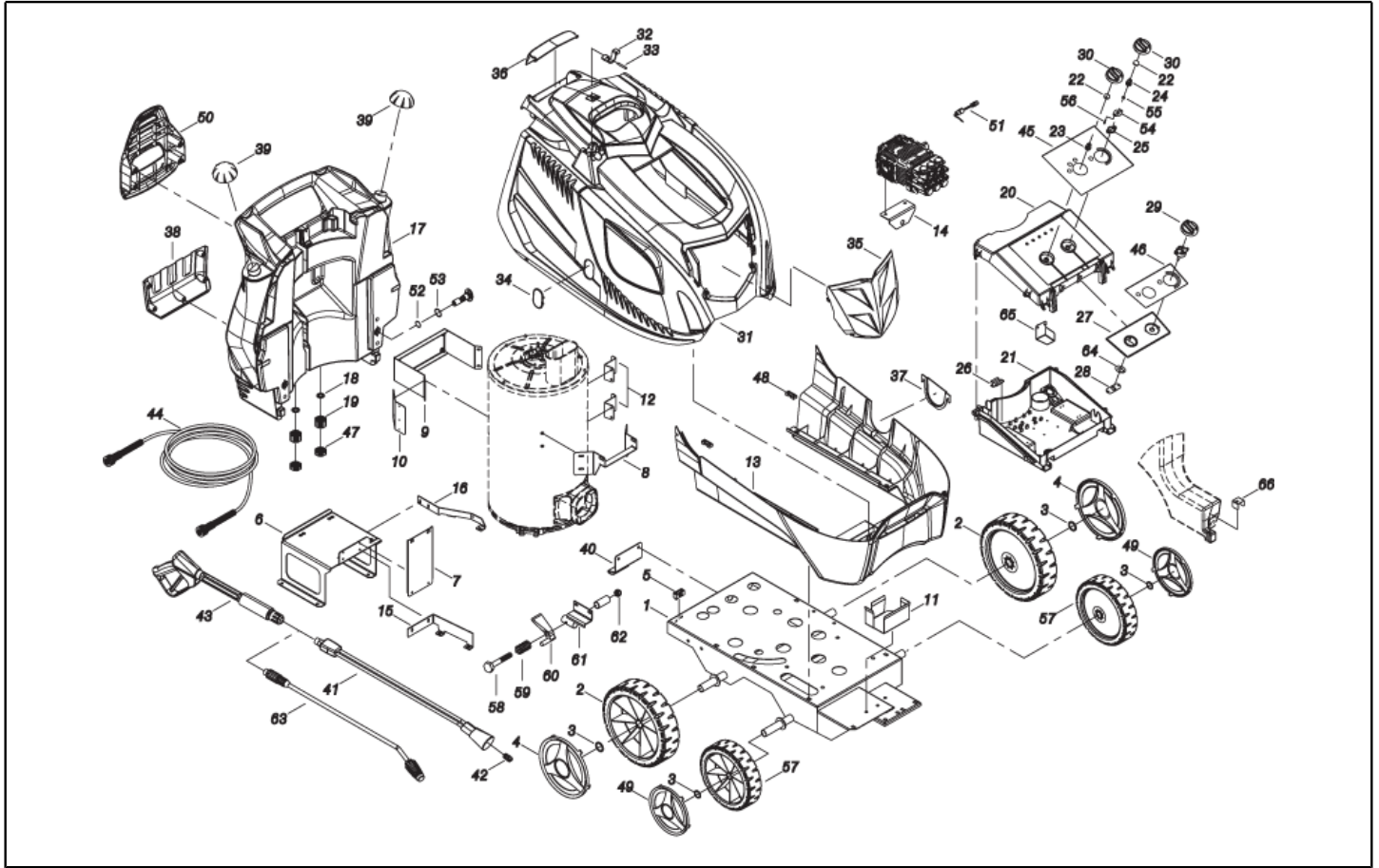


IPC

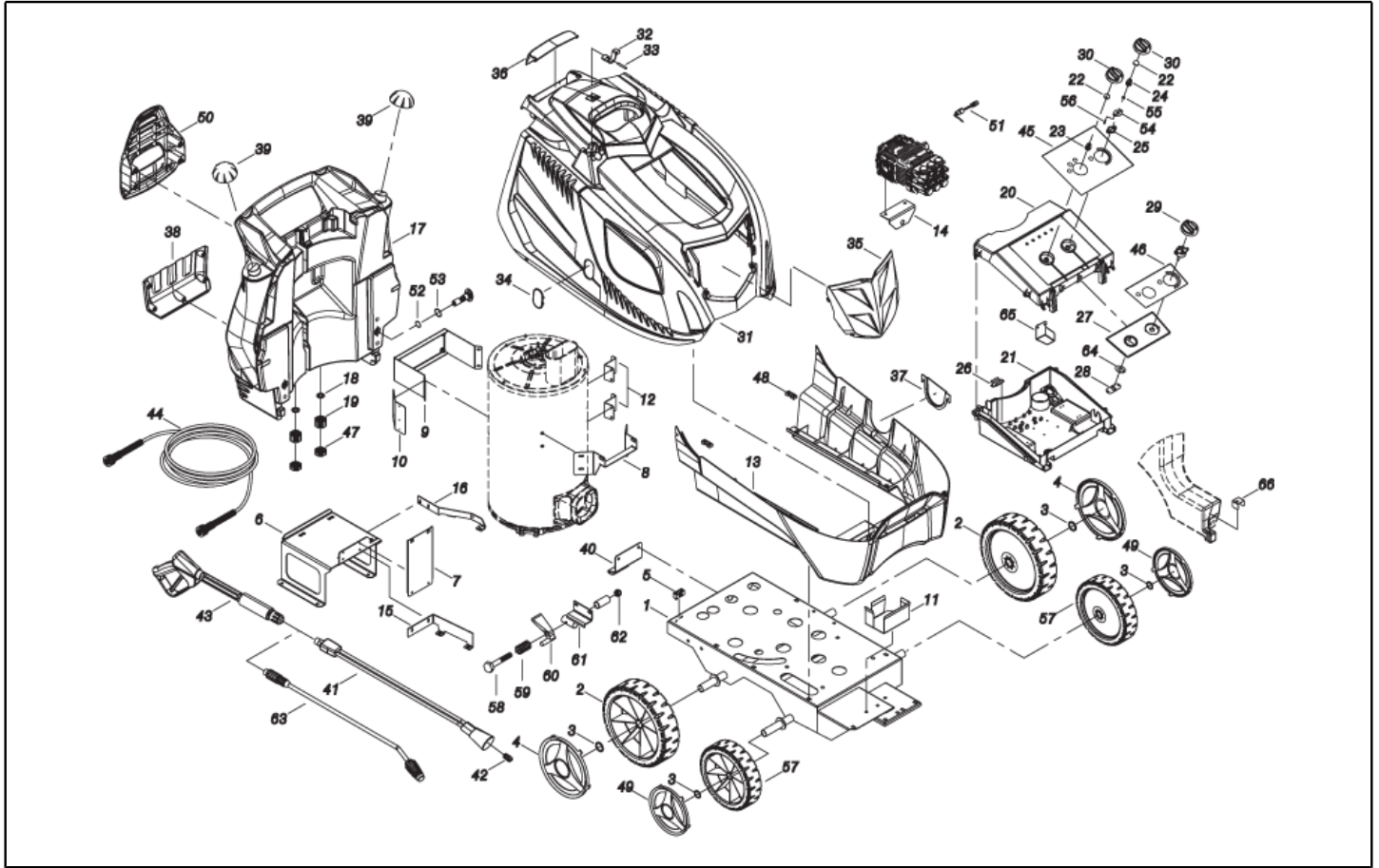
Spare parts list

Ref: IDAC40949

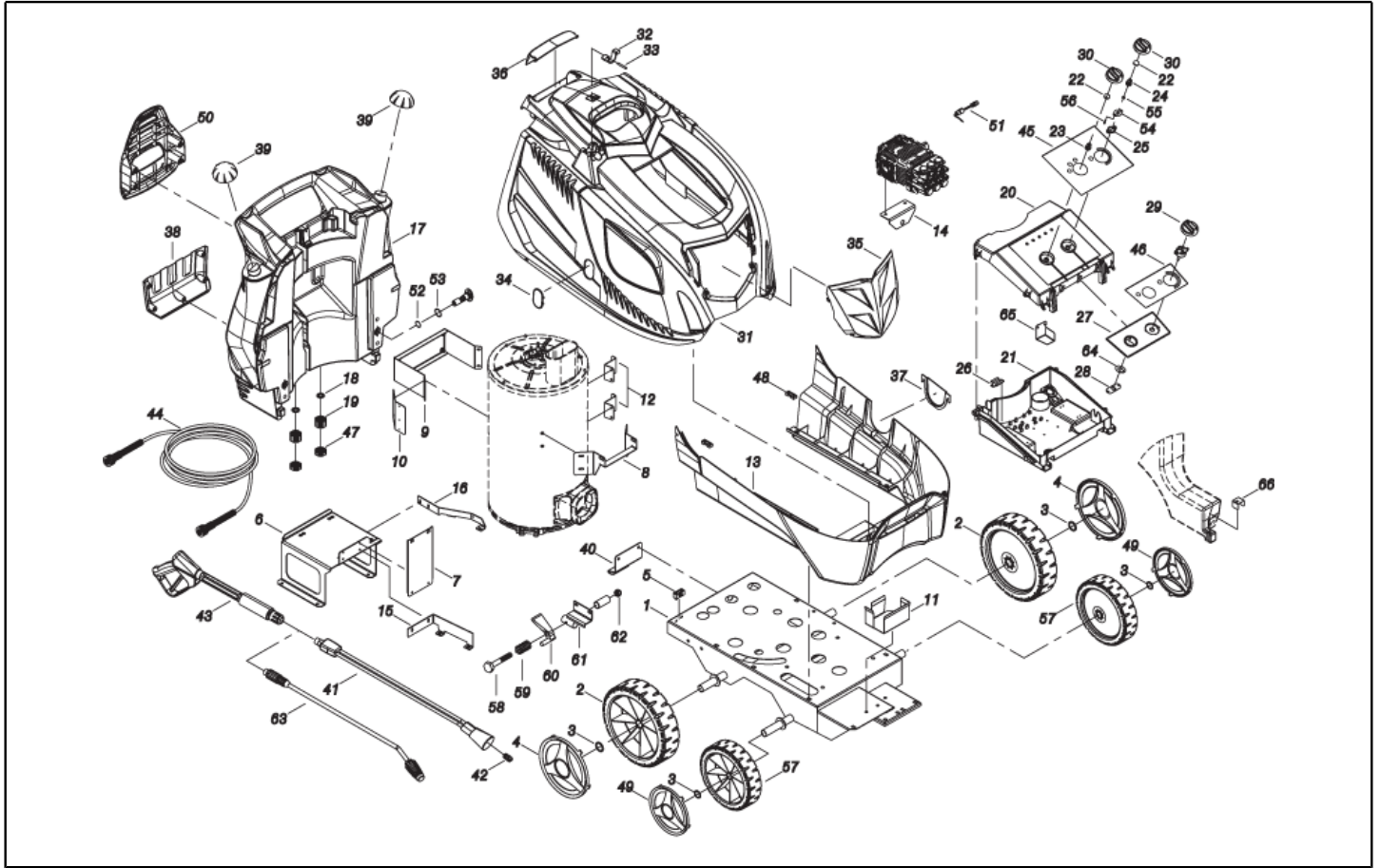
Model: H.P. CLEANER PW-H100/4P D2515PT400/50N



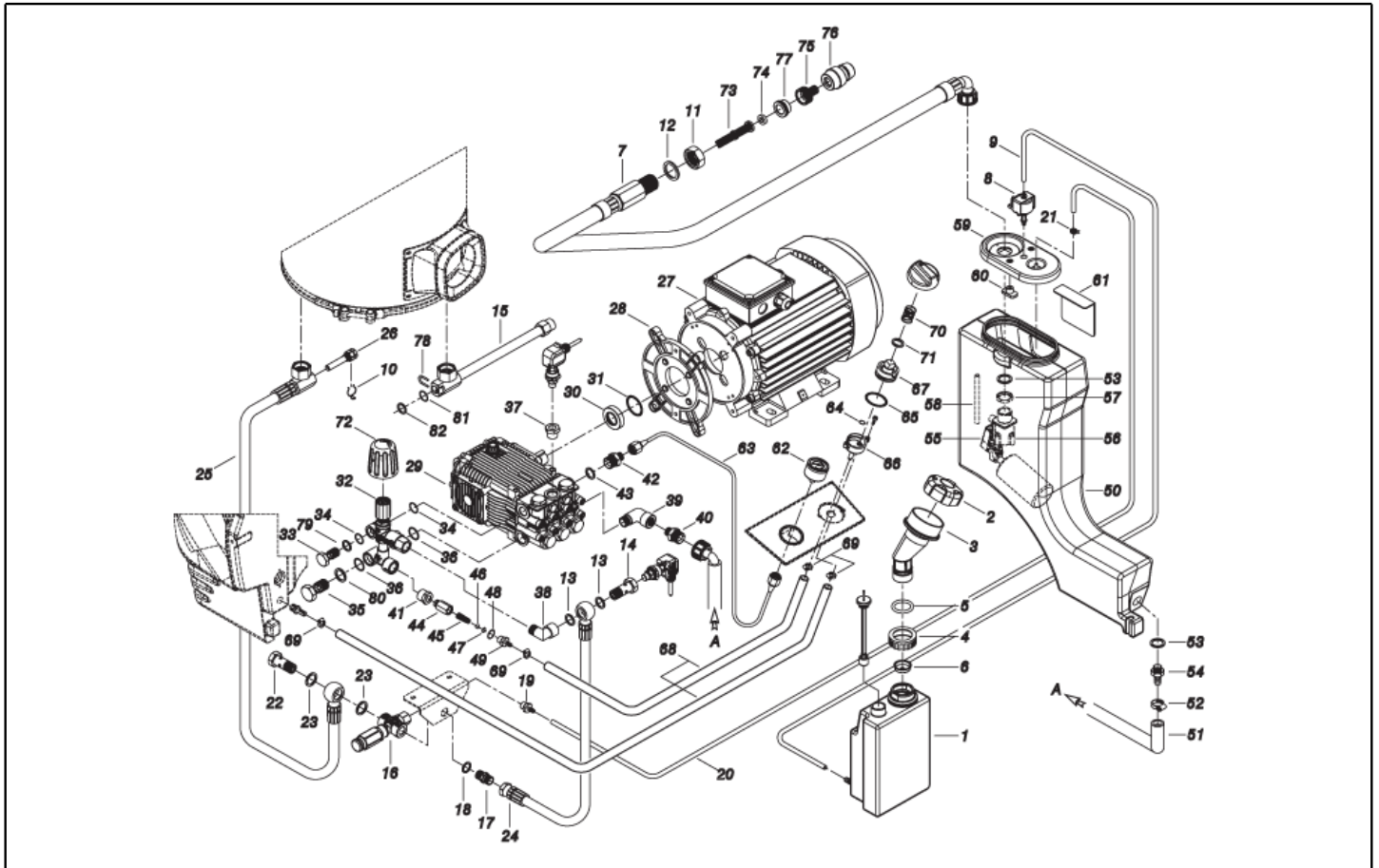
Ref. K	Part n.	Customer part n.	Description	Quantity	Validity		Price
					From	To	
0001	LAFN40756		CHASSIS PW-H100/4W BK.	1,00			--
0002	RTRT45383	00045383	WHEEL D.305-D.25 RT-IPC	2,00			--
0003	VTRS09813	00009813	WASHER D.25	4,00			--
0004	MPVR40535		HUB CAP D. 305 RT/H35 V.368C	2,00			--
0005	MEVR20906	00020906	CABLE CLAMP KSM	1,00			--
0006	LAFN40752		MOTOR SUPPORT PW-H100 ZC.	1,00			--
0007	LAFN40742		SUPPORT PW-H100 AN.ZC.	1,00			--
0008	LAFN40743		SUPPORT PW-H100 PS.ZC.	1,00			--
0009	LAFN40571		BRACKET PW-H35 PM.ZC	1,00		14/07/2016	--
0009	LAFN40835		BRACKET PW-H35 PM.2 ZC	1,00	15/07/2016		--
0010	LAFN40745		SUPPORT BRACKET PW-H100 ZC.	1,00			--
0011	LAFN40746		SUPPORT BRACKET PW-H100 ZC.	1,00			--
0012	LAFN40748		B.TANK BRACKET PW-H100 ZC.	2,00			--
0013	MPVR40774		BLACK COVER PW-H100 INF.PP	1,00			--
0014	LAFN40747		VALVE BRACKET SIC. PW-H100 ZC	1,00			--
0015	LAFN40751		SUPPORT BRACKET PW-H100 LAT.	1,00			--
0016	LAFN40749		SUPPORT BRACKET PW-H100 ANT.	1,00			--
0017	MPVR40792		TANK PW-H100 PL. PEHD BK.	1,00			--
0018	GUGO11489	00011489	GASKET D.22X1,5	2,00			--
0019	PVVR11806	00011806	DISCHARGE CAP FLL	2,00			--
0020	MPVR40540		BOX COVER PW-H35 ABS BK.	1,00			--
0021	MPVR40784		CONTROL BOX PW-H35 C/F.TH ABS BK.	1,00			--
0022	GUGO25527	00025527	O-RING D. 14 X 3 NBR 70SH	2,00			--
0023	MPVR23482	00023482	SWITCH TANG TEC. TUV	1,00			--
0024	S MPVR40843		TAIL PIECE THERM.PW-H PL.	1,00	01/11/2016		--
0025	S MPVR41903	00041903	THICKNESS TERM.IM.PA66	1,00			--
0026	LAFN46067	00046067	SUPPORT L.60 P176	2,00			--
0027	MPVR40542		ANT. PANEL PW-H35 ABS BK.	1,00	01/03/2017		--
0028	LAFN40561		JUNCTION BOARD PW-H35 ZC.	1,00		28/02/2017	--
0028	LAFN40922		JUNCTION BOARD PW-H35 D.14 ZC.	1,00	01/03/2017		--
0029	MPVR13685	00013685	BLACK KNOB PRT-AC	1,00			--
0030	MPVR49057	00049057	BLACK KNOB P176-M.RACE PA6	2,00			--
0031	MPVR40763		GREEN COVER PW-H100 SUP.PP GR.368C	1,00			--
0032	MPVR40485		RUBBER PW-H35 15-20BK.	1,00			--
0033	MPVR40534		PIN PW-H35 PP BK.	2,00			--
0034	MPVR40539		DOOR PW-H35 PPL NT.	1,00			--
0035	MPVR40764		DOOR PW-H100 PPL BK.	1,00			--
0036	MPVR40765		DOOR PW-H100 PT.PPL BK.	1,00			--
0037	MPVR40532		DOOR PW-H35 PPL BK.INF.	1,00			--
0038	MPVR40533		TOOL HOLDER PW-H35 PP BK.	1,00			--
0039	MPVR40187		TANK CAP P215 PEHD C/F.	2,00			--
0040	LAFN40609		FOOT PW-H35/4W	1,00			--
0041	LCPR12983	00012983	DOUBLE EXTENS. PD 70	1,00		09/11/2016	--
0041	LCPR40160		DOUBLE EXTENS. PD 70 M22 M -1/4F INX 0°	1,00	01/09/2017		--



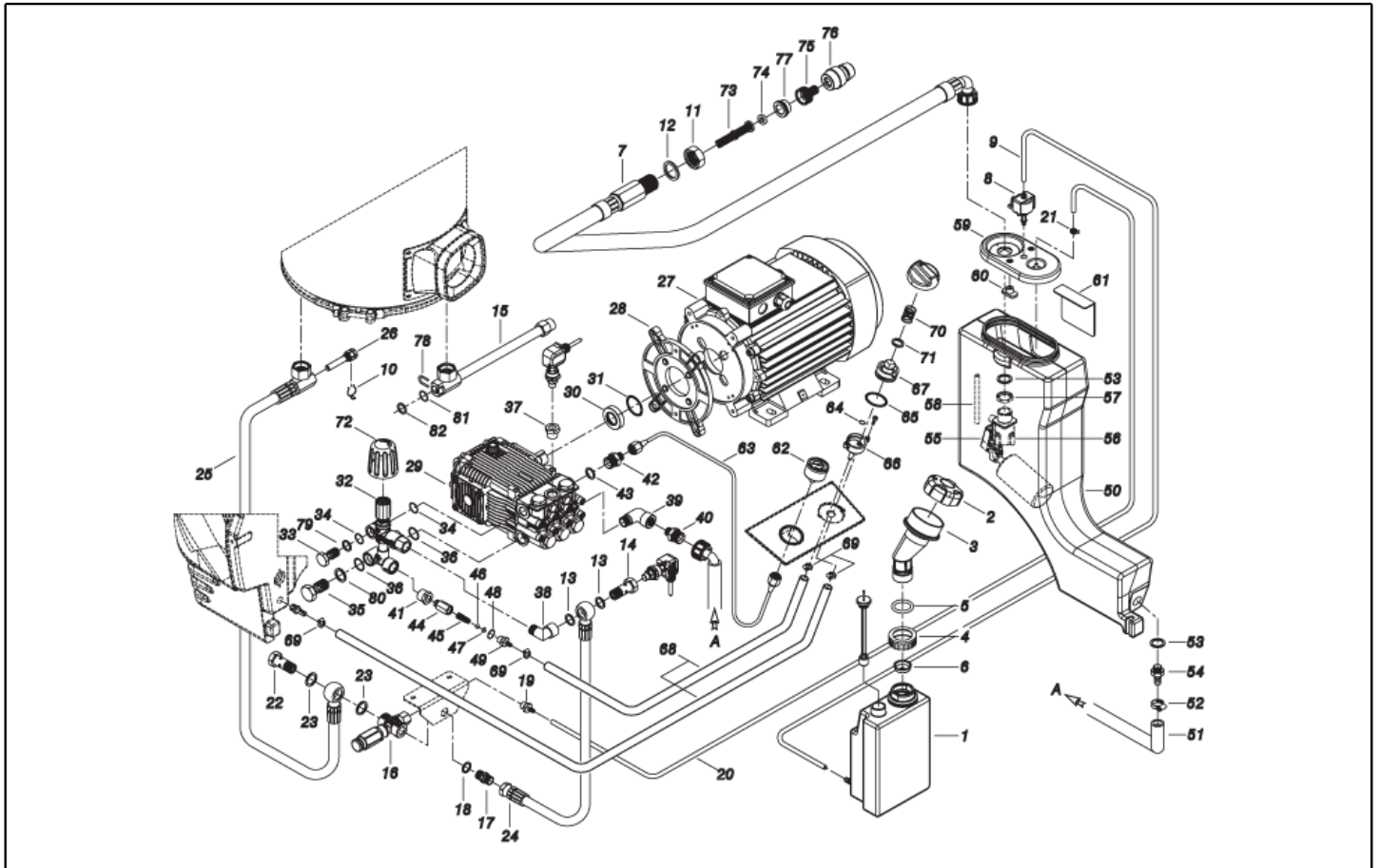
Ref. K	Part n.	Customer part n.	Description	Quantity	Validity		Price
					From	To	
0041	LCPR89117		DOUBLE EXTENS. PD 70 M22 M -1/4F INX MV	1,00	10/11/2016	31/08/2017	--
0042	UGLN49986	00049986	NOZZLE LECH 1/4 1504	1,00			--
0042	UGLN49996	00049996	NOZZLE LECH 1/4 2507	1,00			--
0043	IPPR40020		GRIP G 6000+P.330 +M22 SW.M V	1,00			--
0044	TBAP40201		H.P. HOSE R2 MT 20 5/16" C/2 IRV ZC	1,00			--
0045	ETET40821		LABEL PW-H100 ELETT.PL.	1,00			--
0046	ETET40767		LABEL PW-H100 IDR.	1,00			--
0047	MPVR20187	00020187	RING NUT M 39 X 3	2,00			--
0048	MPVR28554	00028554	CABLE FASTNER ELT	2,00			--
0049	MPVR40537		HUB CAP D. 260 RT/H35 V.368C	2,00			--
0050	MPVR40701		HOSE SUPPORT PW-H35 PP BK.	1,00			--
0052	GUGO01056	00001056	O-RING D. 18.72 X 2.62 NBR 70SH	1,00			--
0053	GUGO01197	00001197	O-RING D. 22.22 X 2.62 NBR 70SH	1,00			--
0054	S LAFN40763		PLATE PW-H28 POT. IX	1,00			--
0055	S LAFN40916		BUSHING D. 6- 9 L= 8 BZ.SINT.	1,00	01/11/2016		--
0056	S VTVR40014		PIN CH. 7 X 10 M4M/M4F NIK.	2,00			--
0057	RTRT40005		WHEEL D.260-D.25 RT-HI	2,00			--
0058	VTVT14480	00014480	SCREW TE M 8X80 ZINC. UNI	1,00			--
0059	MLML11917	00011917	SPRING D. 14.5 X24 X2.2	1,00			--
0060	MPVR28178	00028178	CONTROL LEVER MTH PL.	1,00			--
0061	LAFN40560		BRACKET PW-H35/4W BK.	1,00			--
0062	VTDD00492	00000492	NUT M 8 ZINC	1,00			--
0063	LCPR40103		EXTENSION P 70 - TURBO TPR25 040	1,00			--
0064	LAFN40921		PLATE PW-H35 D.14 ZC.	1,00	01/03/2017		--
0065	LAFN40967		PROTECTION PW-H100 ZC	1,00	01/06/2017		--
0066	LAFN40919		BRACKET PW-H100 ZC.	1,00	05/11/2016		--



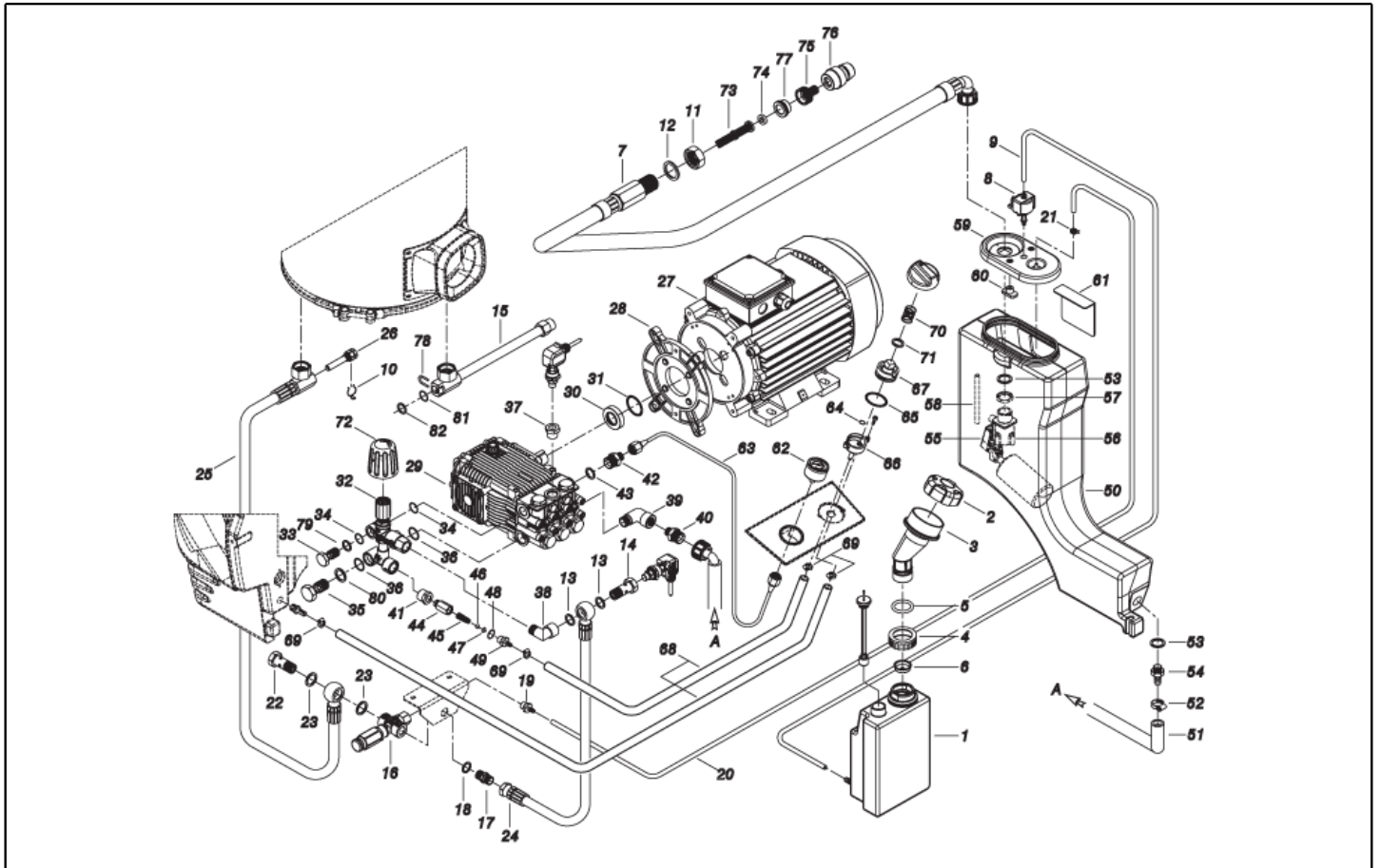
Ref. Part n.	Cust. part n.	Description	Reference	Price
POT KTRI40415		KIT P 20- 4 POT. VSH P11 PW-H	0024 0025 0054 0055 0056 POT	--



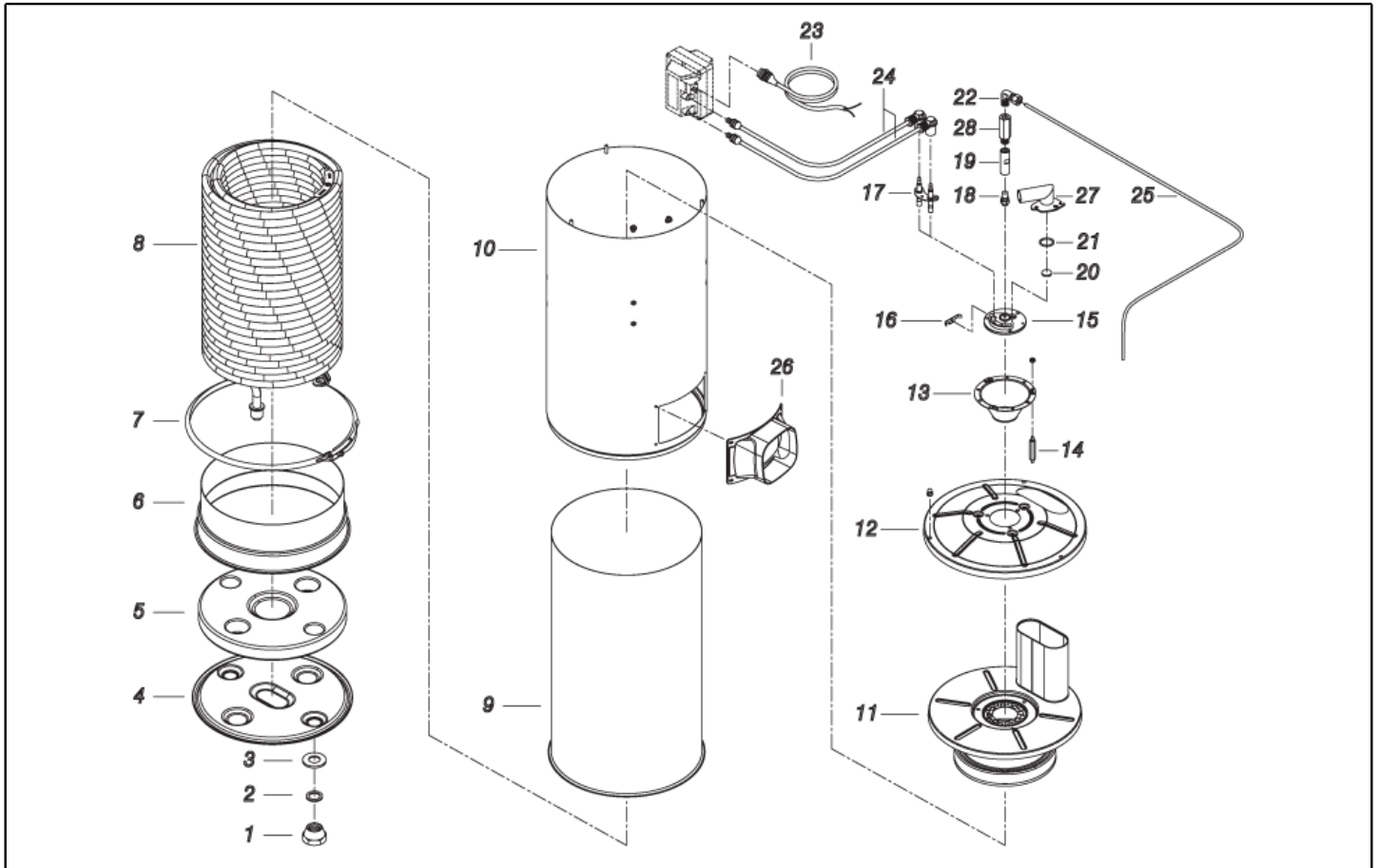
Ref. K	Part n.	Customer part n.	Description	Quantity	Validity		Price
					From	To	
0001	MPVR40698		TANK KSM C/PE.	1,00			--
0002	MPVR40187		TANK CAP P215 PEHD C/F.	1,00			--
0003	MPVR40700		MANIFOLD A.CLCL PW-H35 PP NT.	1,00			--
0004	MPVR40739		TANK CAP KSM D.36.2	1,00			--
0005	GUGO89386		O-RING D. 30 X 5 NBR 70SH	1,00			--
0007	TBBP40090		L.P. HOSE L=1870 3/4F90°-1/2M 0°	1,00			--
0008	MEPD45940	00045940	DESCALING PUMP NME 1 24V 50/60HZ	1,00			--
0009	TBBP00058	00000058	L.P. HOSE D. 4- 7	1,10			--
0010	MLML02623	00002623	SPRING IMT	1,00			--
0011	RCDS49875	00049875	RING NUT 1/2"X 6 CH.27 OT.	1,00			--
0012	VTRS00549	00000549	WASHER D.21,5X27X1,5 (1/2) RM	1,00			--
0013	VTRS00548	00000548	WASHER D.17,5X23X1,5 (3/8)RM	2,00			--
0014	RCDS40148		SCREW G 3/8 - 1/4F L=36 ZC.	1,00			--
0015 S	RCDS21118	00021118	CONNECTOR KSM	1,00			--
0015 S	RCDS21119	00021119	NUT KSM	1,00			--
0015 S	RCDS40230		CONNECTOR G 3/8F -1/4 -P/NTC C.27	1,00			--
0015 S	RCDS40041		CONNECTOR L=216 2X3/8M CN. ZC.	1,00			--
0015 S	RCIN03753	00003753	MALE COUPLING M22-3/8 M-FA	1,00			--
0016	VVSC72419	00072419	VALVE VS 350 G3/8 2E.	1,00			--
0017	RCDS00610	00000610	NIPPLE 3/8 - 3/8 SV	1,00			--
0018	VTRS00548	00000548	WASHER D.17,5X23X1,5 (3/8)RM	1,00			--
0019	RCDS03514	00003514	HOSE FITTING 3/8 M D. 5- 7	1,00			--
0020	TBBP93804		L.P. HOSE D. 6- 9	1,40			--
0021	FSVR40021		CLAMP D 7.8 - 8.3	1,00			--
0022	RCDS01371	00001371	SCREW G 3/8 A.P.	1,00			--
0023	VTRS00548	00000548	WASHER D.17,5X23X1,5 (3/8)RM	2,00			--
0024	TBAP40174		HOSE-FITTING 5/16 R2 3/8OC. -3/8F 0°	1,00			--
0025	TBAP40173		HOSE-FITTING 3/ 8 R2 L=460 3/8OC.-PM26	1,00			--
0026	RCDS00593	00000593	SUMP IM 0-120 L=50	1,00			--
0027	MOTR40012		3PH MOTOR H100 HP 9 2/460-5/60 K.8M	1,00			--
0028	MFVR21735	00021735	COUNTERFLANGE MEC 112 2.V	1,00			--
0029	PPAP40084		PUMP RK 15.25 DX NC T.OT.	1,00			--
0030	RCDS40109		BUSHING AR RK OT	1,00			--
0031	GUGO42285	00042285	O-RING D. 35 X 2.5 VIT.70SH	1,00			--
0032	VVAZ40062		VALVE VRF-2 AR-R AF S/I. RG	1,00			--
0033	RCDS40172		SCREW 3/8 VRF-2 OT 4F.	1,00			--
0034	GUGO03510	00003510	O-RING D. 12.37 X 2.62 NBR 70SH	2,00			--
0035	RCDS40171		SCREW G 1/2 VRF-2 OT. 2F.	1,00			--
0036	GUGO01048	00001048	O-RING D. 15.88 X 2.62 NBR 70SH	2,00			--
0037	PVVR40208		CAP AR RK C/F. 1/4F+OR	1,00			--
0038	RCVR40158		ELBOW 3/8"-3/8" M/F A.P.Cn OTT.	1,00			--
0039	RCVR00575	00000575	ELBOW 1/2" M/F A10	1,00			--
0040	RCDS46144	00046144	NIPPLE 3/4 - 1/2 CB D. 7.0	1,00			--
0041	RCVR02606	00002606	REDUCTION 1/2-1/4 M/F	1,00			--



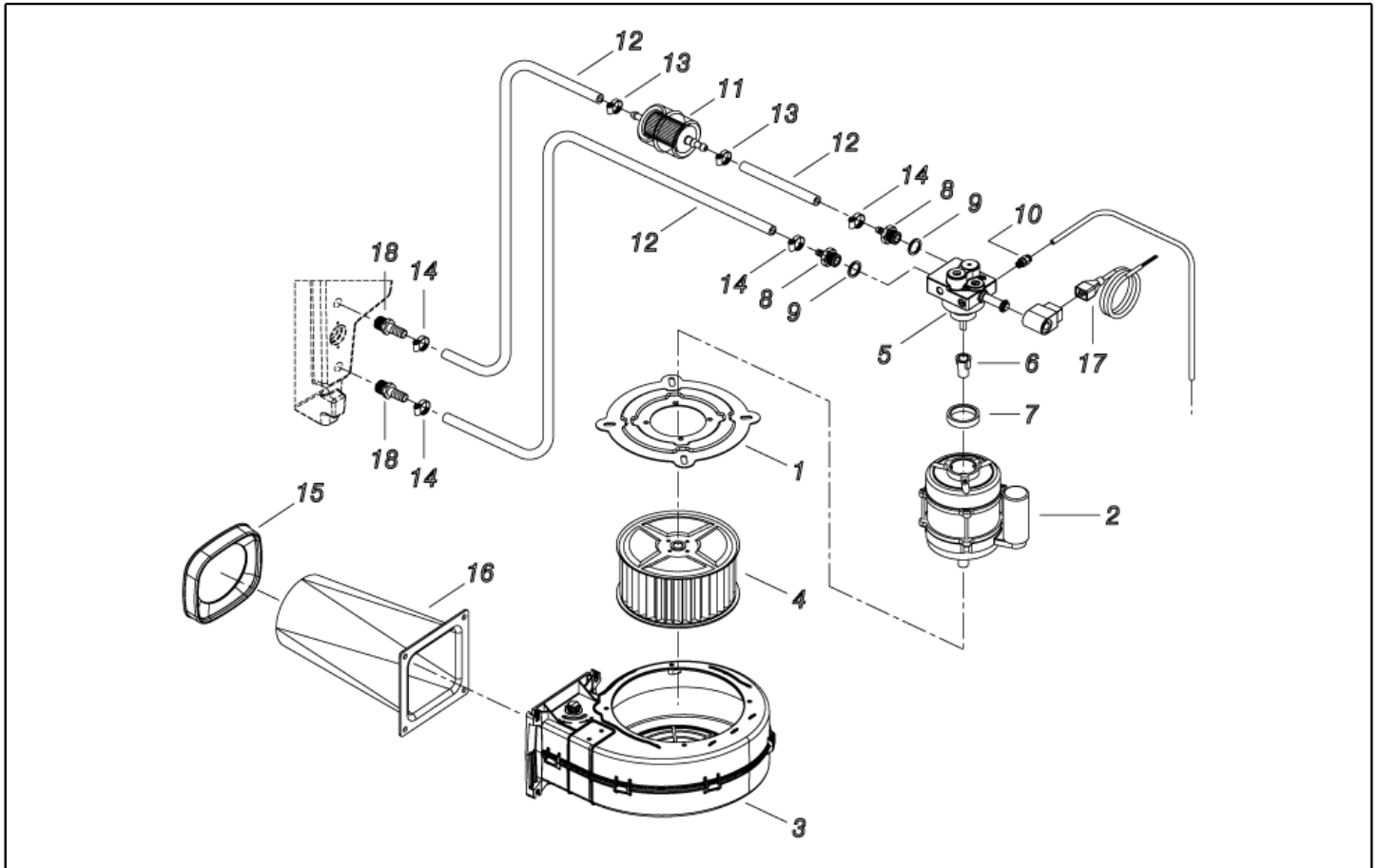
Ref. K	Part n.	Customer part n.	Description	Quantity	Validity		Price
					From	To	
0042	RCDS00608	00000608	NIPPLE 3/8 - 1/4 SV	1,00			--
0043	VTRS00548	00000548	WASHER D.17,5X23X1,5 (3/8)RM	1,00			--
0044	RCDS46072	00046072	VALVE BODY N/R 1/4F-1/4 P176 OT	1,00			--
0045	MLML21505	00021505	SPRING D. 8 X5 X0.3	1,00			--
0046	SFVR04274	00004274	BALL D. 7/32	1,00			--
0047	GUGO01055	00001055	O-RING D. 5.28 X 1.78 VIT 70SH	1,00			--
0048	GUGO01036	00001036	O-RING D. 10.82 X 1.78 NBR 70SH	1,00			--
0049	RCDS10546	00010546	VALVE SEAT 1/4M + PG. D.3-7.5 OTT	1,00			--
0050	MPVR40767		WATER TANK PW-H100 PEHD NT.	1,00			--
0051	TBBP40091		L.P. HOSE L= 650 3/4F 0°-LIB.19X26	1,00			--
0052	FSVR00431	00000431	CLAMP D. 16-25	1,00			--
0053	GUGO40060		GASKET D. 21.0-33 X 2.5 EPDM	2,00			--
0054	RCVR40154		HOSE FITTING PPL D.19 -G.1/2M	1,00			--
0055	MPVR88419		ADAPTER P245 PA6 BK.	1,00			--
0056	RCGR60703	00060703	FLOATER MTM 3/4 PP. S/F.	1,00			--
0057	RCVR49974	00049974	RING NUT 3/4" X 4 NIK	1,00			--
0058	TBBP07631	00007631	L.P. HOSE D.10-14	0,08		14/06/2016	--
0058	TBBP40105		L.P. HOSE D.12-17 CRISTALL	0,08	15/06/2016		--
0059	MPVR40516		TANK COVER P190-35 PA6 BL.	1,00			--
0060	MPVR89078		PLATE P190 PA6 BL.	2,00			--
0061	LAFN40732		PANEL PW-H28 INX	1,00			--
0062	MNMN18650	00018650	PRESSURE GAUGE 0-300 D.40	1,00	01/03/2017		--
0063	TBAP40113		POLYAMIDE HOSE L=420 1/4F GR.-1/8F MN.	1,00	01/03/2017		--
0064	GUGO08071	00008071	O-RING D. 4.48 X 1.78 NBR 70SH	1,00	01/03/2017		--
0065	GUGO12183	00012183	O-RING D. 23.4 X 3.53 VIT 70SH	1,00	01/03/2017		--
0066	RCGR08069	00008069	TAP BODY DET. PRT	1,00	01/03/2017		--
0067	RCGR08070	00008070	ADJUSTER PRT	1,00	01/03/2017		--
0068	TBBP00051	00000051	DETERGENT HOSE D. 6-12	1,20	01/03/2017		--
0068	TBBP00051	00000051	DETERGENT HOSE D. 6-12	0,77	01/03/2017		--
0069	FSVR00427	00000427	CLAMP D. 12 CLIC 66-110	2,00	01/03/2017		--
0070	MLML08068	00008068	SPRING D.1,5 L.23	1,00	01/03/2017		--
0071	VTRS00542	00000542	WASHER D.14X20	1,00	01/03/2017		--
0072	MPVR40589		BLACK KNOB ST 260 IPC	1,00			--
0073	FTAC30214	00030214	FILTER D.15X67	1,00			--
0074	GUGO37736	00037736	GASKET D. 10- 19 X 5 70SH	1,00			--
0075	RCVR29600	00029600	SOCKET PTC 3/4 F	1,00			--
0076	RCVR29602	00029602	CONNECTOR D. 1/2"-5/8" PTC	1,00			--
0077	RCVR37806	00037806	REDUCTION PTC 3/4-1/2 M/F	1,00			--
0078	LAFN40832		PLUG "U" SIST.NTC PW-H INX	1,00			--
0079	VTRS00548	00000548	WASHER D.17,5X23X1,5 (3/8)RM	1,00	01/02/2016		--
0080	VTRS00549	00000549	WASHER D.21,5X27X1,5 (1/2) RM	1,00	01/02/2016		--
0081	GUGO27030	00027030	O-RING D. 6 X 3 VIT 70SH	1,00			--
0082	GUVR40089		ANTI-EXTR.RING D. 6.6X11.9X1.5 PTFE	1,00			--



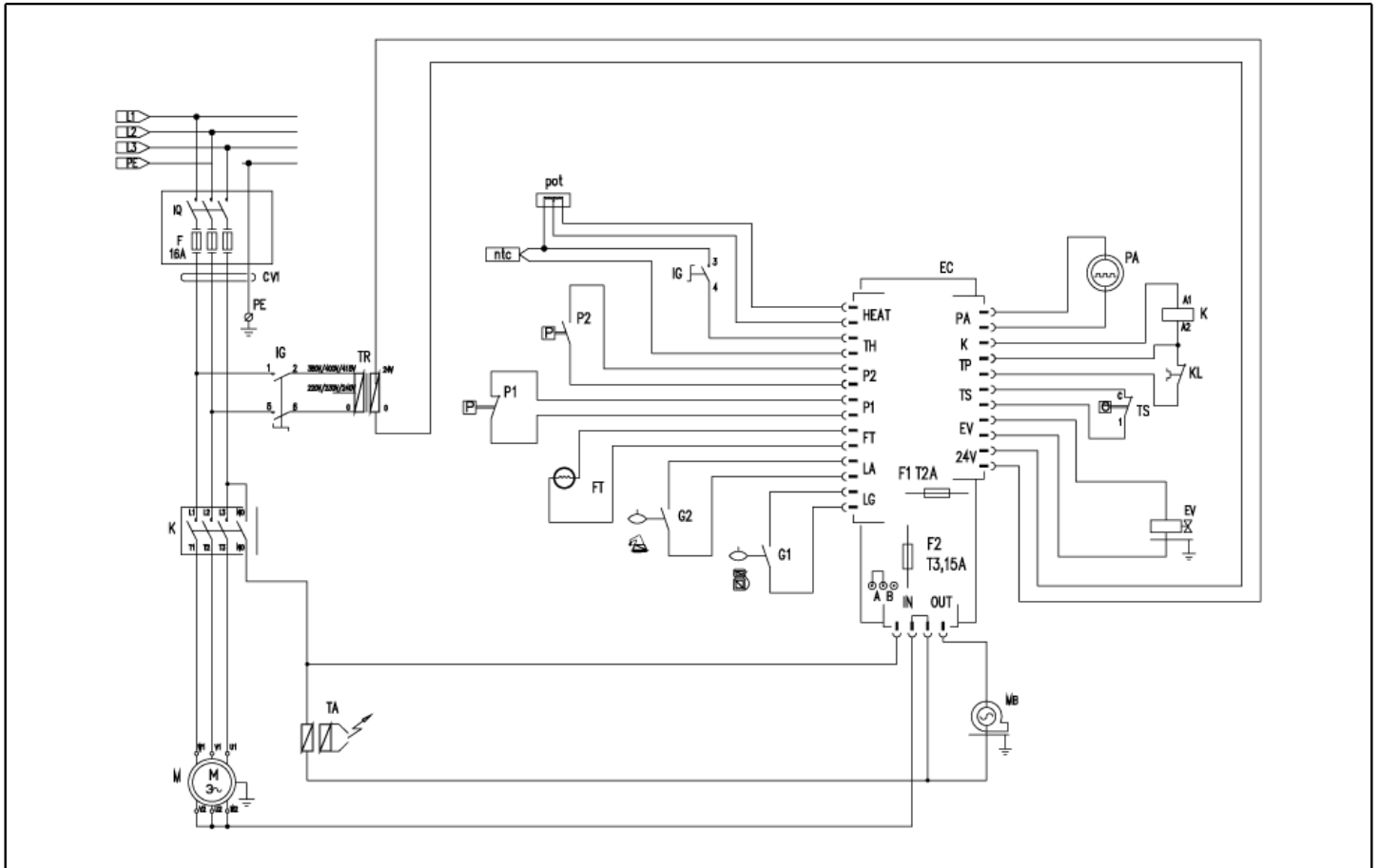
Ref. Part n.	Cust. part n.	Description	Reference	Price
0015 KTRI40385		KIT P 13- 13 PW-H100 NTC	0015 0015 0015 0015 0015 0015 0015	--



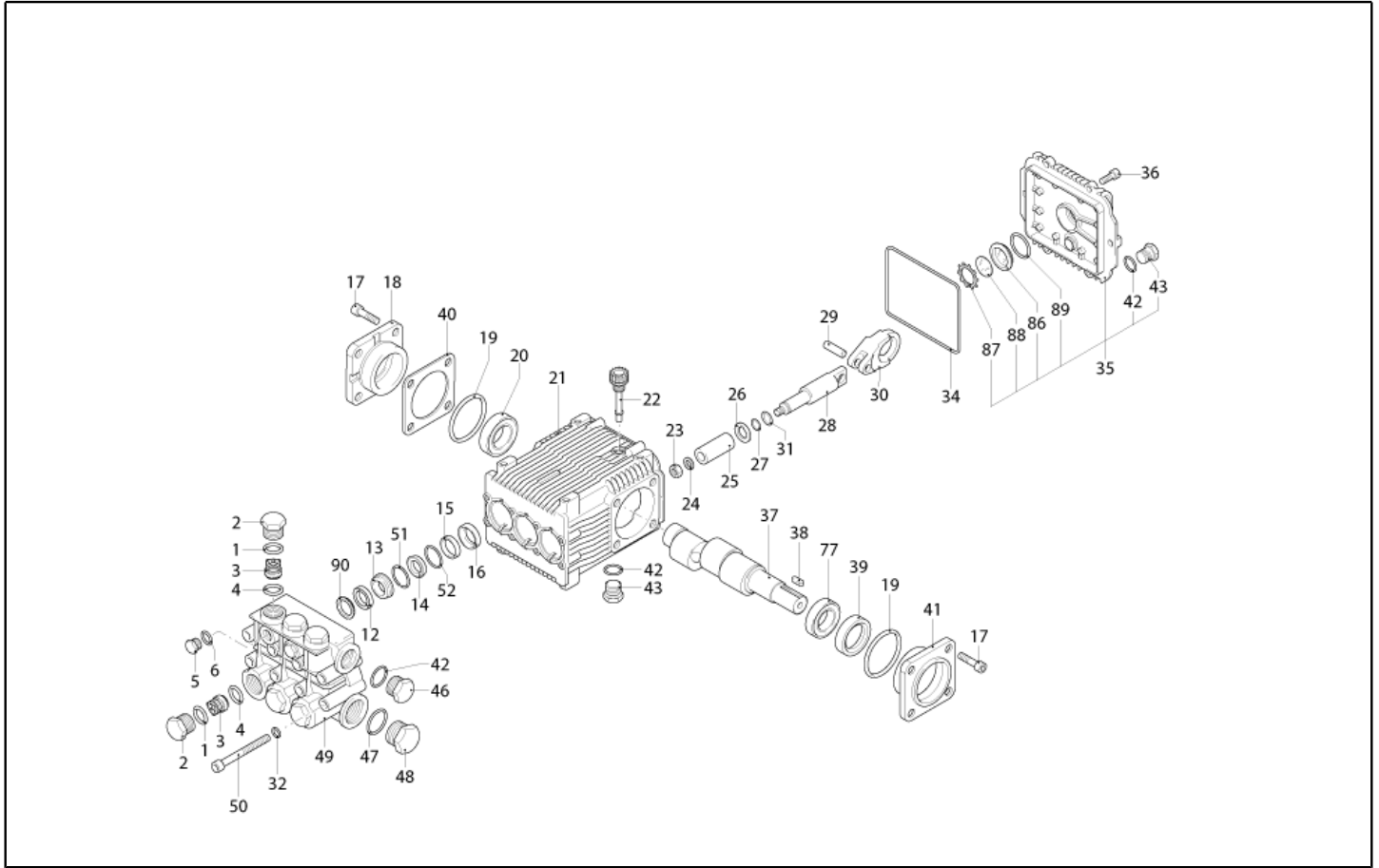
Ref. K	Part n.	Customer part n.	Description	Quantity	Validity		Price
					From	To	
0001	RCDS21120	00021120	RING NUT M 26 X 1,5	2,00			--
0002	GUGO21222	00021222	O-RING D. 15.54 X 2.62 VIT 80SH	2,00			--
0003	GUVR21021	00021021	ANTI-EXTR.RING D. 21 X17 TEF.	2,00			--
0004	LAFN44149	00044149	BOILER BOTTOM P176	1,00			--
0005	ITTE44175	00044175	BOTTOM P176 C.TE	1,00			--
0006	LAFN40733		BAND P176-H28 INX	1,00			--
0007	LAFN40037		RING D.342 P176 ZN 2V.CPL.	1,00			--
0008	LAGR40044		DOUBLE COIL M26X1.5 P176 30MT. SP.2.9	1,00			--
0009	LASL40101		INT. CYLINDER PM INX	1,00			--
0010	LAFN40753		EXT. CYLINDER PM-H100 INX	1,00			--
0011	LAFN40757		BOILER COVER SI PM-H100.30 INX	1,00			--
0012	LAFN40270		BOILER COVER SE PM INX	1,00			--
0013	LAFN44244	00044244	BAFFLE P176 30M INX	1,00			--
0014	LAFN40271		PIN CH.10 X 67.7 M5M/M5M PM	3,00			--
0015	MFVR18226	00018226	ELECTR.HOLDER FUT 3°V	1,00			--
0016	LAFN07641	00007641	PLATE INX	1,00			--
0017	MECA12525	00012525	ELECTRODE FUT	1,00			--
0018	UGBR22576	00022576	BURNER NOZZLE 1.35 60 S	1,00			--
0019	RCDS07642	00007642	NOZZLE HOLDER FUT	1,00			--
0020	MPVR18228	00018228	OIL WARN-LIGHT D.17 X3	1,00			--
0021	GUGO40061		GASKET D. 10- 18 X 1 NBR	1,00			--
0022	RVCV08954	00008954	ELBOW 1/8"-4 B5	1,00			--
0023	MECB34463	00034463	CABLE BT L=800 SP. FD	1,00			--
0024	MECV35335	00035335	CABLE A.T. 9,8-23KOHMM L= 500P	2,00			--
0025	TBCO40069		DIESEL HOSE PW-H100 30M D. 4 IX	1,00			--
0026	MPVR88426		CONVEYOR P176 PA6 BK.	1,00			--
0027	LAFN40734		SUPPORT PW-H35 BK.	1,00			--



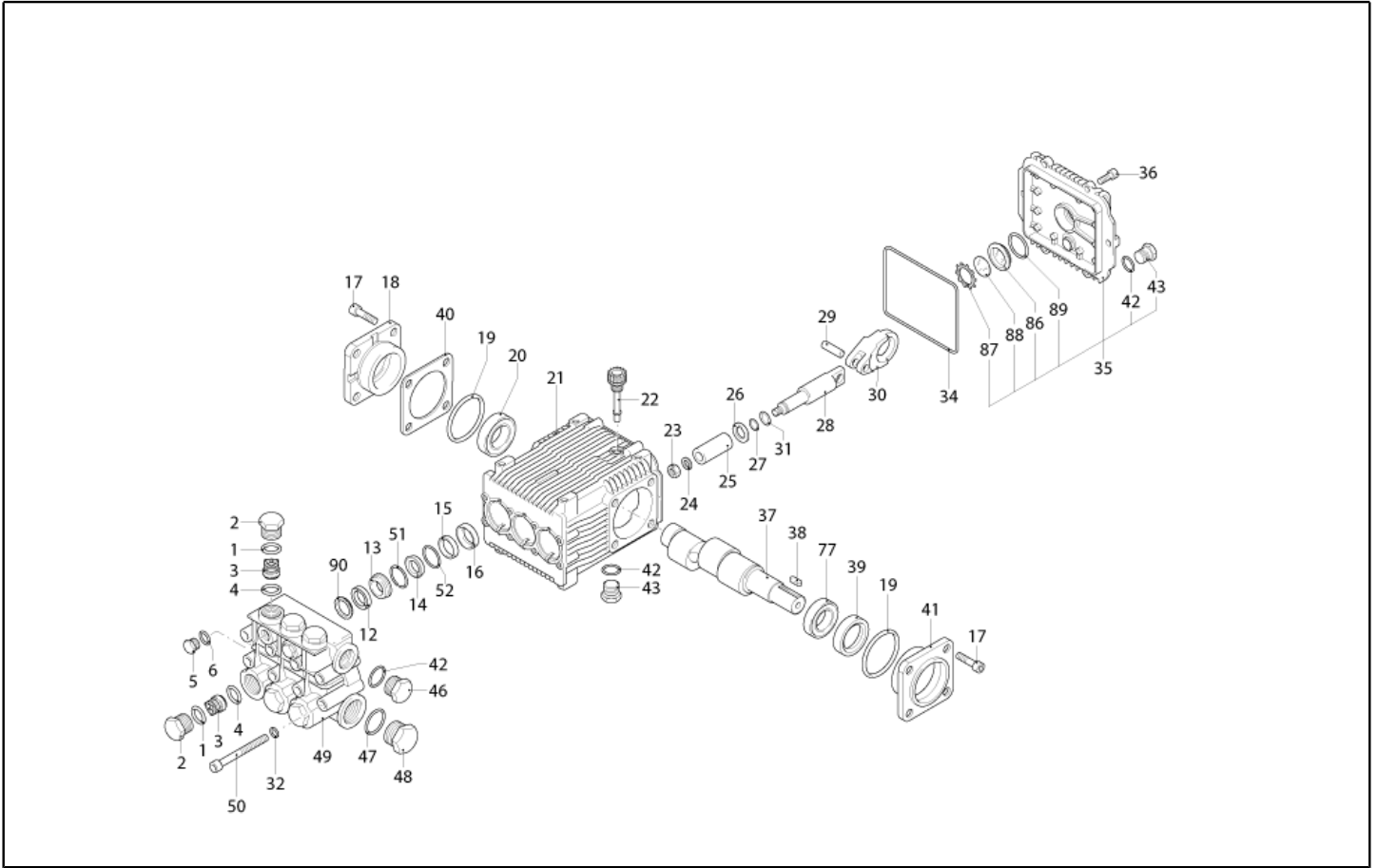
Ref. K	Part n.	Customer part n.	Description	Quantity	Validity		Price
					From	To	
0001	LAFN10272	00010272	MOTOR PLATE CB 3	1,00			--
0002	MOMB40009		BURNER MOTOR 230-50 IPX5 180W AO/C	1,00			--
0003	MPVR40665		SCROLL CB4 -2PZ.GR.	1,00	06/11/2015		--
0004	VEVR34275	00034275	IMPELLER D.160-80 D.12.7 36P B.SX	1,00			--
0005	PPGS40005		FUEL PUMP DNF BFA 01L3R2	1,00			--
0006	FGGT36513	00036513	JOINT HP 0.25 AACO	1,00			--
0007	GUGO40062		GASKET PW-H100 MOT.BR.	1,00			--
0008	RCDS00626	00000626	HOSE FITTING 1/4 M D. 5- 7	2,00			--
0009	VTRS04931	00004931	WASHER COPPER D.13X19X1,5	2,00			--
0010	RCVR14014	00014014	BI-CONE CONNEC. DTT 1/8" M B1 D. 2/ 4 NIK	1,00			--
0011	FTCO40003		FUEL FILTER FB 7/TA 60mc NYL.	1,00		24/02/2016	--
0011	FTCO40004		FUEL FILTER FB 7/T 60mc NYL.	1,00	25/02/2016		--
0012	TBCO06945	00006945	L.P. HOSE D. 6-12 10BAR C.PRESS	0,11			--
0012	TBCO06945	00006945	L.P. HOSE D. 6-12 10BAR C.PRESS	1,00			--
0012	TBCO06945	00006945	L.P. HOSE D. 6-12 10BAR C.PRESS	1,22			--
0013	FSVR11197	00011197	CLAMP D.I. 11 13315	2,00			--
0014	FSVR00427	00000427	CLAMP D. 12 CLIC 66-110	6,00			--
0015	GUGO88425		GASKET P245 EPDM	1,00			--
0016	MPVR40766		CONVEYOR CB4-H100 PA6	1,00			--
0017	MECB46130	00046130	CABLE DLT L=1100	1,00			--
0018	RCVR40113		HOSE FITTING 1/8 M D. 5- 7 NIK	3,00			--



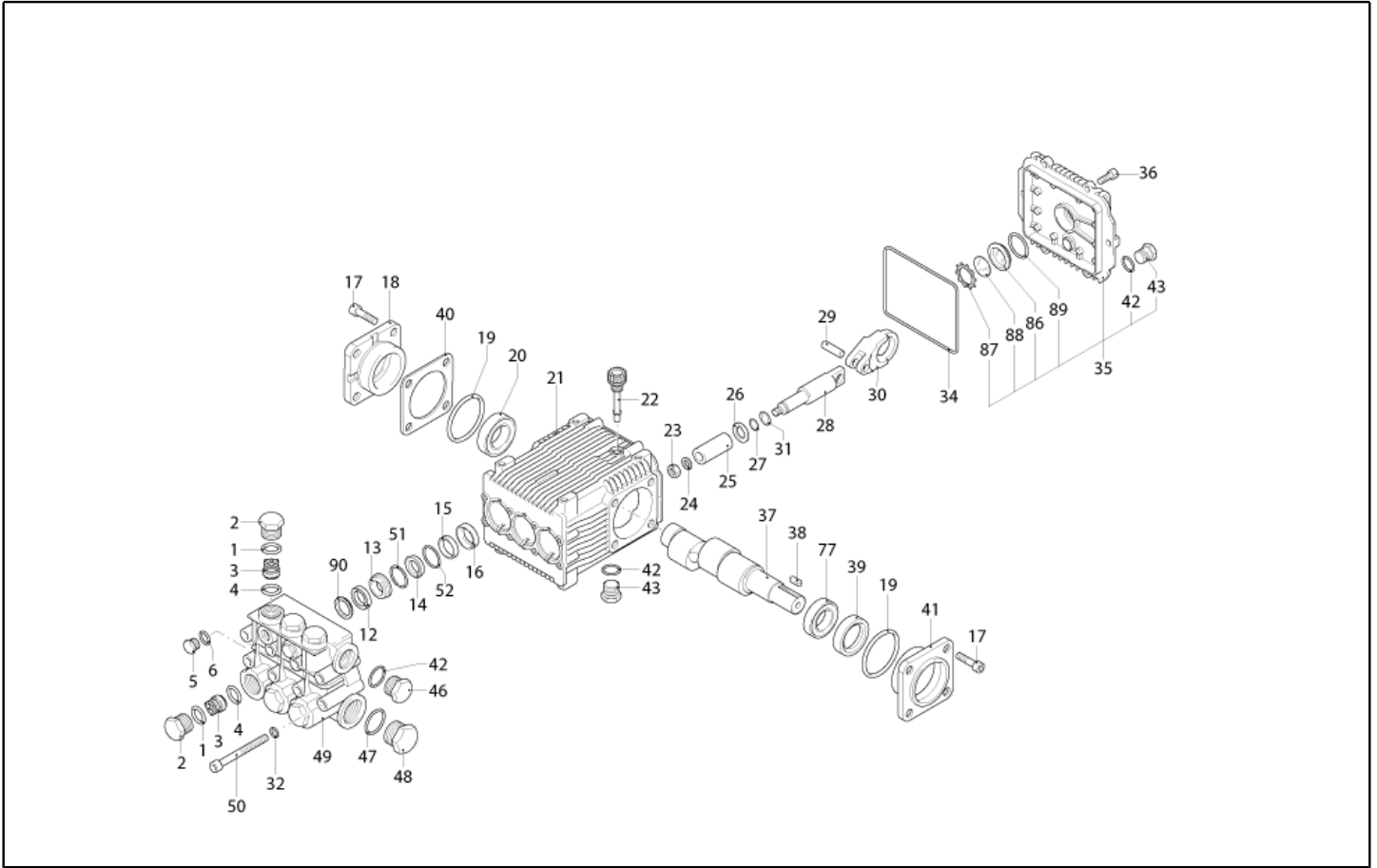
Ref. K	Part n.	Customer part n.	Description	Quantity	Validity		Price
					From	To	
K	METT40019		CONTACTOR SIE 3RT 2025-1AC20 24V	1,00			--
EV	MEBE43704	00043704	COIL DNF 24-50	1,00			--
FT	MECF40005		PHOTOELET.CELL LDS 057H7103 C/CNN.	1,00	10/09/2016		--
FT	MECB40363		CABLE N.557 2X1 SG L.500 CN.	1,00	10/09/2016		--
G1	MECI40006		SENSOR LEVEL S1.PML.XD.FPJ FST.	1,00			--
G2	MECI34444	00034444	SWITCH REED N.C.H185 L=1300	1,00			--
IG	MECI40017		COMMUTAT.SWITCH 0-1-2 UN.	1,00			--
TA	METR88630		TRANSFORMER 23/240V-5/60HZ 2X26KV TR.	1,00			--
TR	METR40018		TRANSFORMER 25VA 230-400/24 5/60HZ PM	1,00			--
TS	METK34839	00034839	THERMOSTAT 60°C TR/711-N C.1.5	1,00	01/10/2017		--
CV1	MECB40146		CABLE H07 RNF 4X2.5 L=6.800	1,00			--
EC1	MECE40045		PCB PW T-SI/MP V.PL.+CO-Ntc	1,00			--
EC2	MECE40041		PCB LED PW 4/5 GR. FLT.	1,00			--
NTC	MEVR40150		PROBE NTC/150 IP65 C.1000	1,00			--
POT S	MEVR40149		POTENTIOMETER VSH P11S1V0FLSY 5/10K LN.	1,00			--
P1,2	MEPF76254	00076254	PRESSURE SWITCH PR 5 1/4M 25BAR	2,00			--



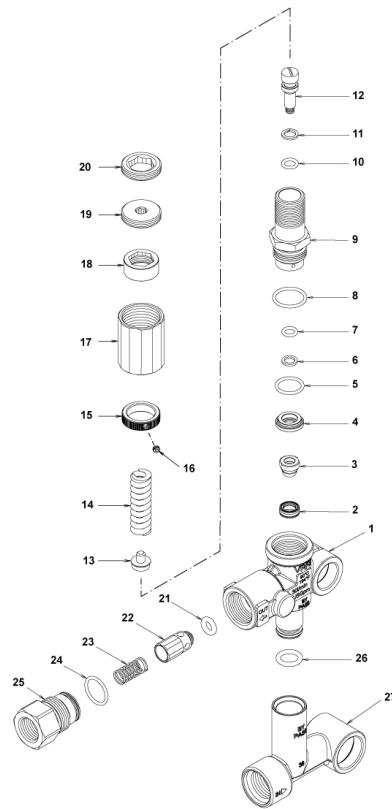
Ref. K	Part n.	Customer part n.	Description	Quantity	Validity		Price
					From	To	
0001	GUGO03502	00003502	O-RING D. 17.86 X 2.62 NBR 70SH	6,00			--
0002	PVVR40161		CAP AR RR	6,00			--
0003	S VVAM40003		VALVE UNIT RR	6,00			--
0004	S GUGO02259	00002259	O-RING D. 15.54 X 2.62 NBR 70SH	6,00			--
0005	PVVR40129		CAP 1/4 M RC	2,00			--
0006	GUGO01036	00001036	O-RING D. 10.82 X 1.78 NBR 70SH	2,00			--
0012	S GUVR40045		PACKING D. 18 RW H.P.	3,00			--
0013	S PVVR40238		INTERMED. RING D.18 RK	3,00			--
0014	S GUVR40056		PACKING D.18 RK	3,00			--
0015	S PVVR40239		SPACER D. 35 RK	3,00			--
0016	S GUGO40022		OIL SEAL RK	3,00			--
0017	VTVT01118	00001118	SCREW TCEI M 8X16 ZC. UNI 5931	8,00			--
0018	MFVR40038		CRANKASE COVER AR RK LT.	1,00			--
0019	S GUGO01053	00001053	O-RING D. 60 X 2.62 NBR 70SH	2,00			--
0020	CUVR40011		BEARING 30304 DQ	1,00			--
0021	MFVR40039		PUMP CRANKCASE AR RK	1,00			--
0022	PVVR19231	00019231	OIL CAP XTS	1,00			--
0023	VTDD00483	00000483	NUT M 8 ZIN UNI 5588	3,00			--
0024	VTRS19394	00019394	WASHER D. 8X13X0.5	3,00			--
0025	S PIVR40012		PISTON D.18X40 RK	3,00			--
0026	PVVR40218		DISC RK	3,00			--
0027	GUGO08071	00008071	O-RING D. 4.48 X 1.78 NBR 70SH	3,00			--
0028	PVVR40217		PISTON GUIDE RK	3,00			--
0029	PVVR40211		GUDGEON D. 10X25 RK	3,00			--
0030	BLVR40005		CONNECTING ROD RK	3,00			--
0031	GUVR40044		ANTI-EXTR.RING D. 5 X 8 X1	3,00			--
0032	VTRS00504	00000504	WASHER D. 8 TE ZC. UNI 6592	8,00			--
0034	S GUGO40023		O-RING D. 106 X 3 NBR 70SH	1,00			--
0035	MFVR40041		CRANKASE COVER AR RK	1,00			--
0036	VTVT01114	00001114	SCREW TCEI 6X14 UNI 5931	6,00			--
0037	ALMO40019		SHAFT AR RK18.16 NC	1,00			--
0038	VTVR41531	00041531	KEY 8X 7X35 UNI 6604A	1,00			--
0039	S GUGO01245	00001245	OIL SEAL 25X 45X10-L-CM -NBR70	1,00			--
0040	PVVR40214		THICKNESS AR 0,20 mm	1,00			--
0041	MFVR40040		CRANKASE COVER AR RK LAT. OPEN	1,00			--
0042	GUGO09720	00009720	O-RING D. 14 X 1.78 NBR 70SH	3,00			--
0043	PVVR40099		CAP 3/8 M HRM	1,00			--
0046	PVVR40099		CAP 3/8 M HRM	1,00			--
0047	GUGO19245	00019245	O-RING D. 17.5 X 2 NBR 70SH	1,00			--
0048	PVVR40121		CAP 1/2 M RC	1,00			--
0049	MFVR40049		HEAD AR RK 15.25	1,00			--
0050	VTVT37530	00037530	SCREW TCEI M 8X70 UNI 5931	8,00			--
0051	S GUGO09699	00009699	O-RING D. 18.77 X 1.78 NBR 70SH	3,00			--
0052	S GUGO01039	00001039	O-RING D. 31.47 X 1.78 NBR 70SH	3,00			--



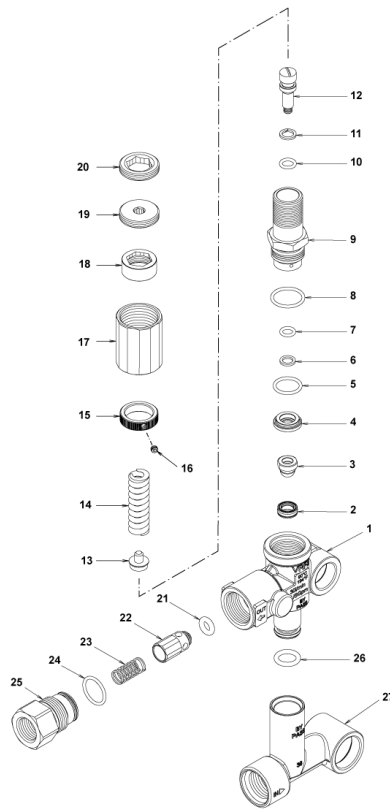
Ref. K	Part n.	Customer part n.	Description	Quantity	Validity		Price
					From	To	
0077	CUVR66788		BEARING D.25X52X16,25 30205 SKF	1,00			--
0086	PVVR19238	00019238	OIL INDICATOR XTS	1,00			--
0087	VTAE19239	00019239	SEEGER 0,5 X25,35X16,0	1,00			--
0088	PVVR40199		DISC CONTRASTO POMPA RW	1,00			--
0089	GUGO19395	00019395	O-RING D. 20.24 X 2.62 NBR 70SH	1,00			--
0090	S PVVR40182		HEAD RING D. 18 RW	3,00			--



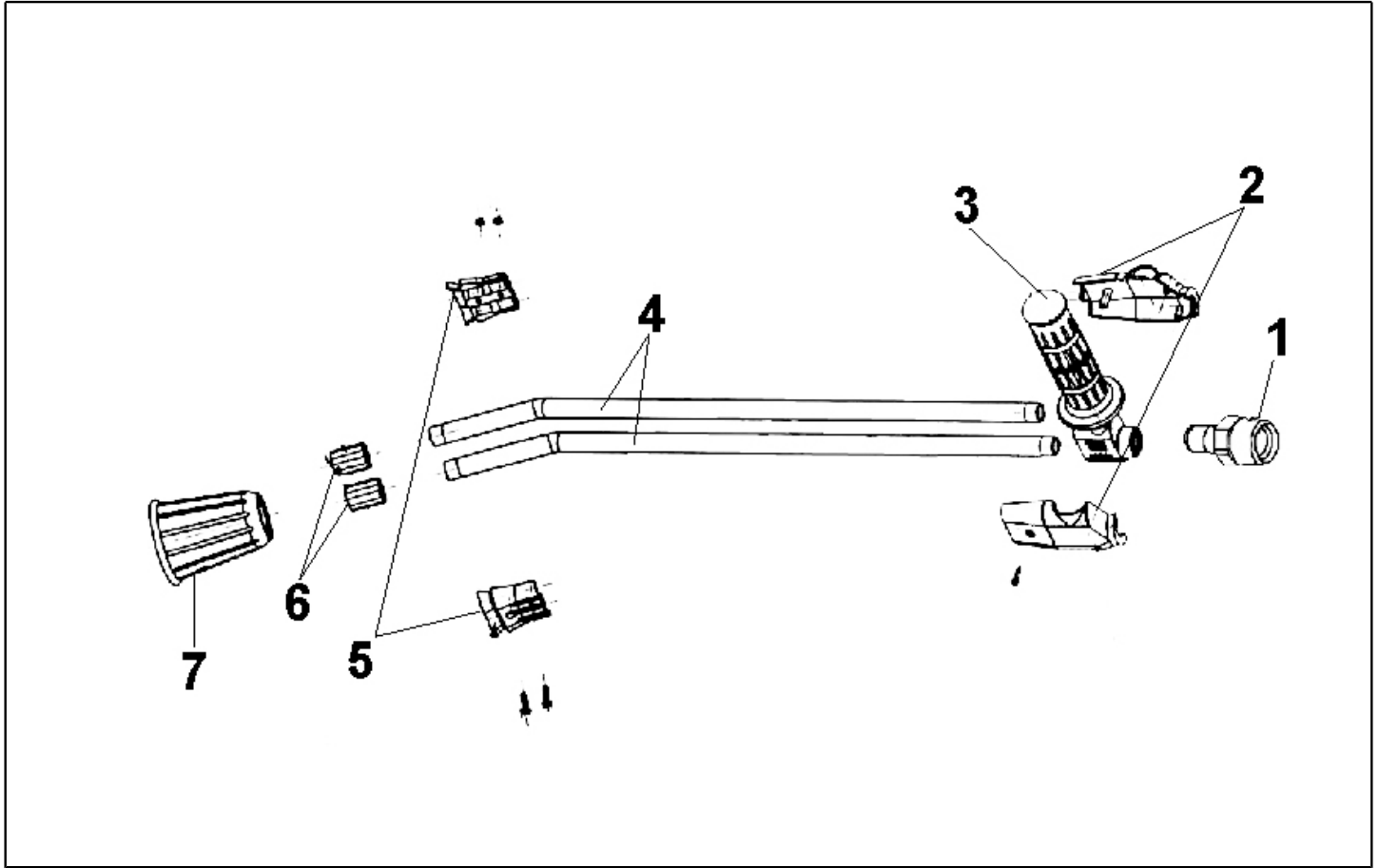
Ref. Part n.	Cust. part n.	Description	Reference	Price
KTRI40298		KIT P 15-42000 D.18 RK	0012 0013 0014 0015 0051 0052 0090	--
K A KTRI40142		KIT P 15-42909 RR	0003 0004	--
K B KTRI40169		KIT P 15-2500 RK	0025	--
K C KTRI40167		KIT P 15-1855 RK	0016 0019 0034 0039	--
K E KTRI40190		KIT P 15-42473 D.18 RK	0051 0052 0012 0014	--
K G KTRI40191		KIT P 15-1829 D.18 RK	0090	--



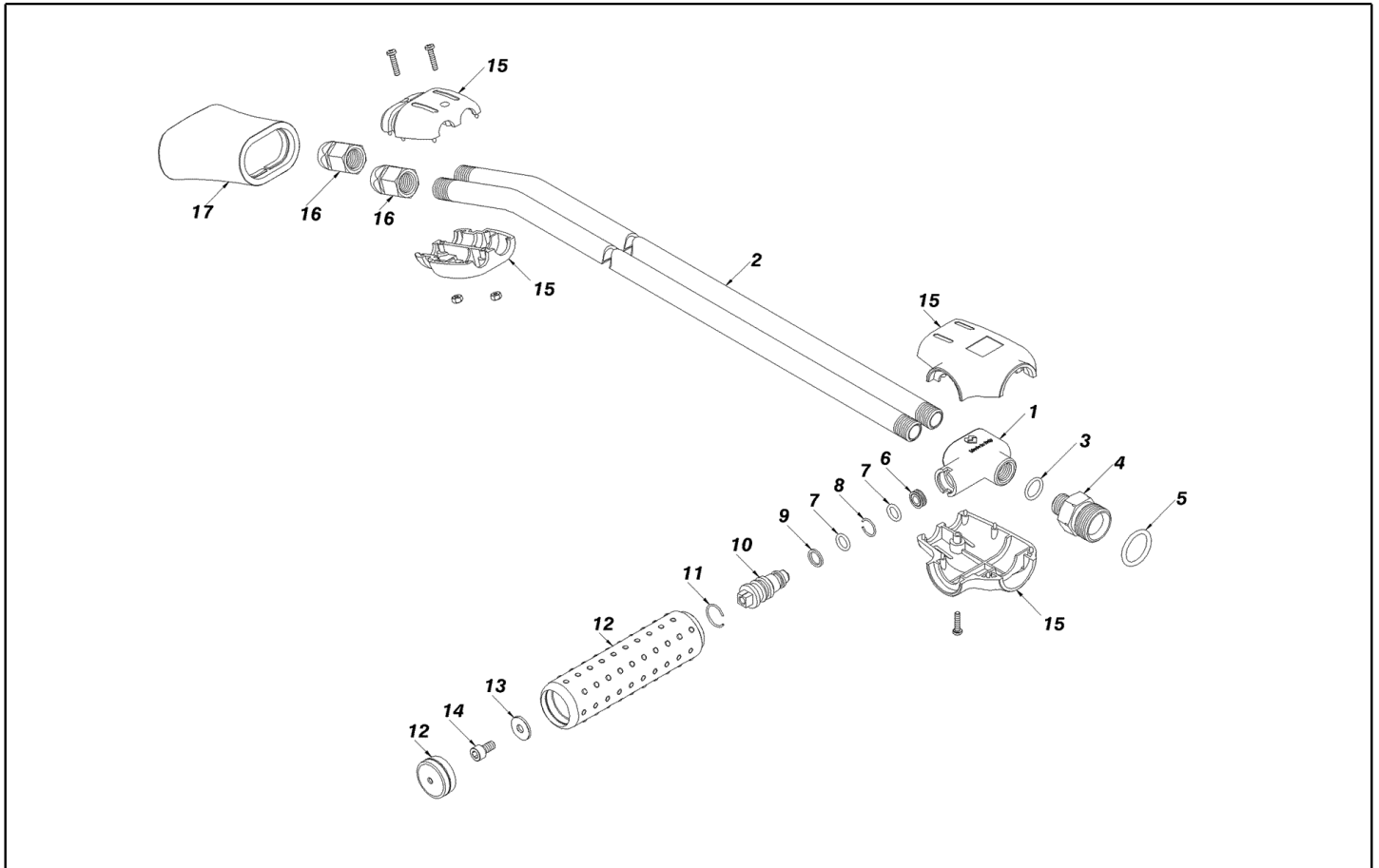
Ref. K	Part n.	Customer part n.	Description	Quantity	Validity		Price
					From	To	
0001	PVVR40362		VALVE BODY VRF2	1,00			--
0002	S PVVR40363		VALVE SEAT MV124 +OR	1,00			--
0003	S PVVR40364		COUPLING MV124	1,00			--
0004	S PVVR40365		SPACER MV124	1,00			--
0005	S GUGO12322	00012322	O-RING D. 14 X 1.78 NBR 90SH	1,00			--
0006	S GUVR40072		ANTI-EXTR.RING D. 6.5X 9.4	1,00			--
0007	S GUGO83861		O-RING D. 6.07 X 1.78 NBR 90SH	1,00			--
0008	S GUGO24913	00024913	O-RING D. 17.17 X 1.78 NBR 90SH	1,00			--
0009	S PVVR40388		CONNECTOR VRF2 RG.165 56A	1,00			--
0010	S GUGO03500	00003500	O-RING D. 6.75 X 1.78 NBR 70SH	1,00			--
0011	S GUVR40073		ANTI-EXTR.RING D. 7.1X10 X1.2 TBT	1,00			--
0012	S PVVR40367		SMALL PISTON D.10 VRF2	1,00			--
0013	S PVVR40368		SPRING PLATE MV124 25B	1,00			--
0014	S MLML47987	00047987	SPRING D. 3.25X41.1 MV 625	1,00			--
0015	S PVVR40369		RING NUT MV167.09	1,00			--
0016	S VTVT89696		SCREW EI-ST 4X 4 UNI5927 ZC	1,00			--
0017	S PVVR47989	00047989	CAP MV 625 REG.	1,00			--
0018	S PVVR47990	00047990	RING NUT MV 625 REG.	1,00			--
0019	S PVVR47991	00047991	REGISTER MV 625 REG.	1,00			--
0020	S PVVR47992	00047992	CLAMP MV 625 REG.	1,00			--
0021	S GUGO46053	00046053	O-RING D. 6 X 3 NBR 90SH	1,00			--
0022	PVVR40349		COUPLING VRT3	1,00			--
0023	MLML40026		SPRING VRT3	1,00			--
0024	S GUGO12321	00012321	O-RING D. 15.6 X 1.78 NBR 90SH	1,00			--
0025	PVVR40350		CONNECTOR VRT3 G 3/8F	1,00			--
0026	GUGO11225	00011225	O-RING D. 10.78 X 2.62 NBR 70SH	1,00			--
0027	PVVR40373		CONNECTOR VRF2.24	1,00			--



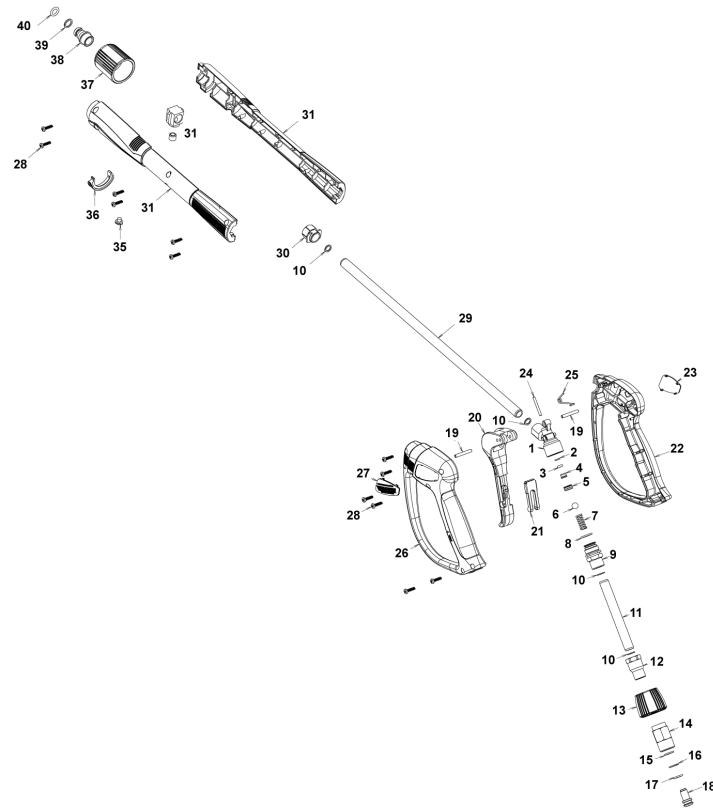
Ref. Part n.	Cust. part n.	Description	Reference	Price
KTRI40256		KIT P 14-105 VRF2 Reg.	0002 0003 0004 0005 0006 0007 0008 0009 0010 0011 0012 0013 0014 0015 0016 0017 0018 0019 0020	--
KTRI40237		KIT P 14-104 SEAL VRF2	0002 0003 0005 0006 0007 0008 0010 0011 0021 0024	--



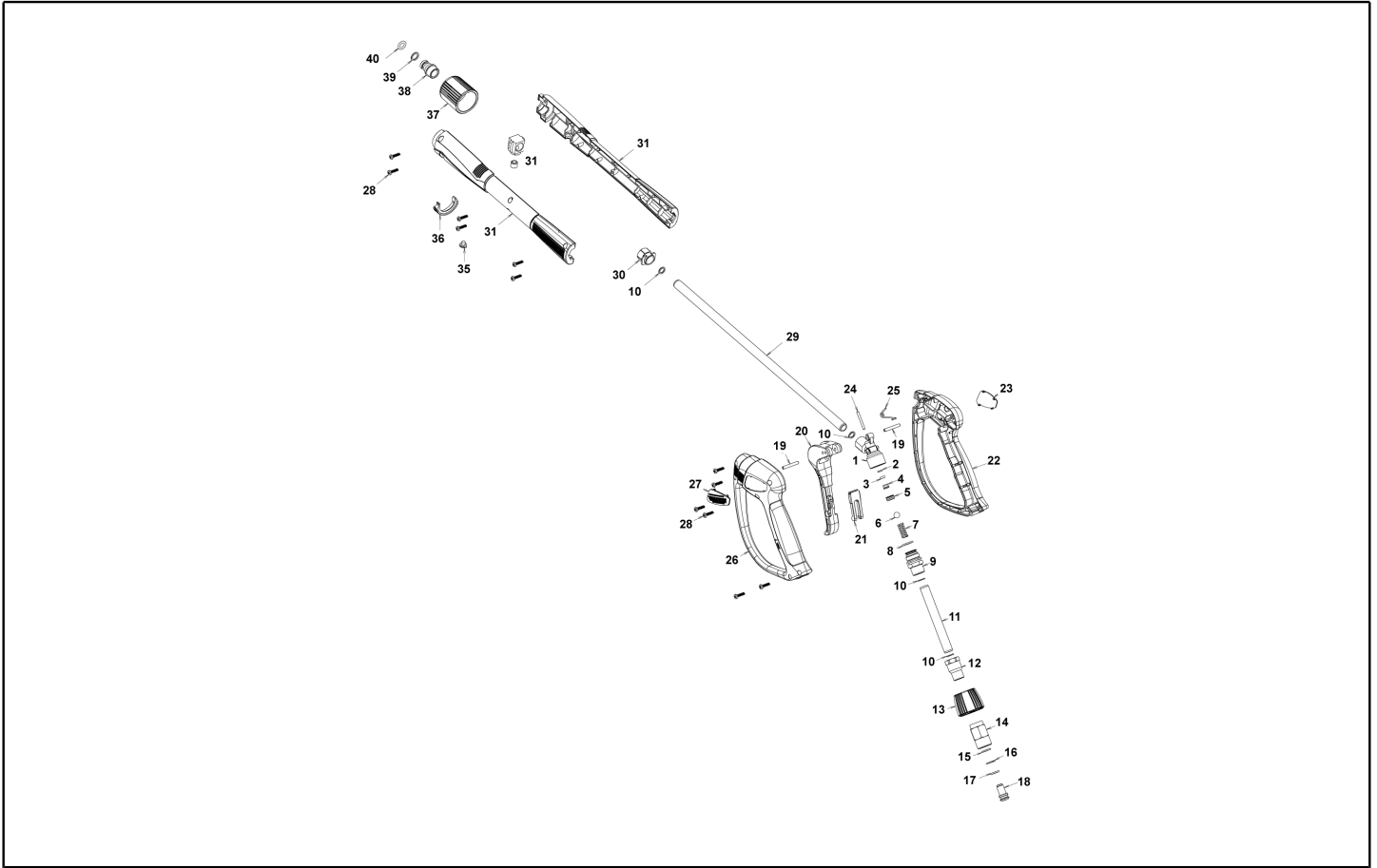
Ref. K	Part n.	Customer part n.	Description	Quantity	Validity		Price
					From	To	
0001	PVVR45296	00045296	COUPLING G 1/4M -M22 M +PR.PLS	1,00			--
0002	MPVR45214	00045214	PROTECTION TB.1/4 MTM	1,00			--
0003	RCGR45737	00045737	TAP 1/8 F LD MTM	1,00			--
0004	LCPR45740	00045740	TUBE 1/8 L=660 INOX MTM	2,00			--
0005	MPVR45001	00045001	SHELL LD MTM	1,00			--
0006	RCVR45741	00045741	NOZZLE HOLDER 1/4-1/8 F MTM	2,00			--
0007	PVVR43810	00043810	PROTECTION L.D. MTM	1,00			--



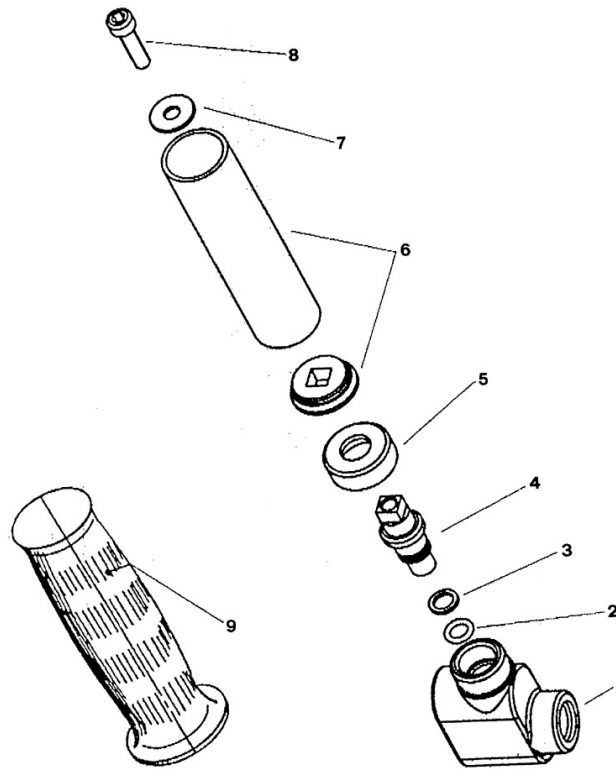
Ref. K	Part n.	Customer part n.	Description	Quantity	Validity		Price
					From	To	
0001	RCGR40000		TAP BODY L.DOP. 1/4" MV INX	1,00			--
0002	LCPR40000		TUBE 1/4 L=700 CROM.	2,00		30/11/2009	--
0002	LCPR40107		TUBE 1/4 L=700 INX.	2,00	01/12/2009		--
0003	GUGO19194	00019194	O-RING D. 11.11 X 1.78 NBR 70SH	1,00		30/09/2010	--
0003	VTRS04931	00004931	WASHER COPPER D.13X19X1.5	1,00	01/10/2010		--
0004	RCIN46781	00046781	MALE COUPLING MV 1/4 -M 22 M	1,00			--
0005	GUGO01056	00001056	O-RING D. 18.72 X 2.62 NBR 70SH	1,00			--
0006	PVVR40019		BUSHING MV LD	1,00			--
0007	GUGO06988	00006988	O-RING D. 7.66 X 1.78 NBR 70SH	2,00			--
0008	PVVR40020		CIRCLIP LD MV D. 8	1,00			--
0009	GUGO40002		ANTI-EXTR.RING D. 8 NBR	1,00			--
0010	PVVR40021		REGULAT. SCREW LD MV INX	1,00			--
0011	PVVR46783	00046783	CIRCLIP LD MV	1,00			--
0012	PVVR46784	00046784	KNOB LD MV +CAP	1,00			--
0013	VTRS15958	00015958	WASHER UNI 6592 5X15X1,5 ZB	1,00			--
0014	VTVT17639	00017639	SCREW TCEI M 5X10 UNI 5931	1,00			--
0015	MPVR46786	00046786	PROTECTION LD/TB MV	1,00			--
0016	RCVR46787	00046787	NOZZLE HOLDER 1/4-1/4 F MV	12,00			--
0017	PVVR46788	00046788	PROTECTION LD MV	1,00			--



Ref. K	Part n.	Customer part n.	Description	Quantity	Validity		Price
					From	To	
0001	PVVR40381		GUN BODY G 5100 G1/4F	1,00			--
0002	S	GUVR40074	ANTI-EXTR.RING D. 3 X 7.4X1.3	1,00			--
0003	S	GUGO21835	00021835	O-RING D. 2.84 X 2.62 VIT. 80SH	1,00		--
0004	PVVR40382		PISTON GUIDE G 5100	1,00			--
0005	S	PVVR40112	BALL SEAT G 5000	1,00			--
0006	S	SFVR40002	BALL D.11/32" ALL GR16	1,00			--
0007	MLML40016		SPRING D. 9.4 x21.5x1.6 G5000	1,00			--
0008	GUGO12322	00012322	O-RING D. 14 X 1.78 NBR 90SH	1,00			--
0009	PVVR40383		CONNECTOR COLL.G5100 1/4F	1,00			--
0010	VTRS40017		WASHER D. 8.2X11,4X1.00	4,00			--
0011	PVVR40384		TUBE G 1/4" L.105	1,00			--
0012	RCIN40022		CONNECTOR SWIV G5100 1/4F	1,00			--
0013	MPVR40819		RING NUT G 5100 SW. BK.	1,00			--
0014	RCIN40021		JOINT SWIV 5100 M22	1,00			--
0015	S	GUVR40075	ANTI-EXTR.RING D. 10 X14X1.5	1,00			--
0016	S	GUVR40076	ANTI-EXTR.RING D. 11.2X14X1.2	1,00			--
0017	S	GUGO15295	00015295	O-RING D. 10.82 X 1.78 VIT 80SH	1,00		--
0018	PVVR40386		SCREW SW. G 5100	1,00			--
0019	VTVR40047		PLUG D. 4X29	2,00			--
0020	MPVR40820		TRIGGER G 6000-SW	1,00			--
0021	MPVR40821		SAFETY-DEVICE G 6000-SW	1,00			--
0022	MPVR40822		SHELL G 6000-SW DX	1,00			--
0023	MPVR40823		PLATE G 6000 GR.DX	1,00			--
0024	PVVR40387		SMALL PISTON G 5100	1,00			--
0025	MLML40029		SPRING G 5100	1,00			--
0026	MPVR40824		SHELL G 6000-SW SX	1,00			--
0027	MPVR40825		PLATE G 6000 GR.SX	1,00			--
0028	VTVT40043		SCREW AF 4X 14 HILO ZN.N	12,00			--
0029	LCPR40086		TUBE 1/4 L=420 ZC. 0°	1,00			--
0030	MPVR40493		CONNECTOR G 5100-SW	1,00			--
0031	MPVR40494		PROTECTION P 420 C/AN.	1,00			--
0035	MPVR40198		CAP G 5000	1,00			--
0036	MPVR40495		CAP G 5100 REM.	1,00			--
0037	PVVR40119		CONNECTION M22X1,5 IRV G5000	1,00			--
0038	RCIN40009		GUDGEON G 1/4 F IRV G5000	1,00			--
0039	GUVR40034		ANTI-EXTR.RING D. 10 X14	1,00			--
0040	GUGO01946	00001946	O-RING D. 9.13 X 2.62 VIT 70SH	1,00			--



Ref. Part n.	Cust. part n.	Description	Reference	Price
KTRI40243		KIT P 26- 26 SWIVEL G 5100	0015 0016 0017	--
KTRI40414		KIT P 26- 34 G 6000	0002 0003 0005 0006	--



Ref. K	Part n.	Customer part n.	Description	Quantity	Validity		Price
					From	To	
0001	RCGR41556	00041556	TAP BODY L.DOP. 1/8" MTM	1,00		08/03/2010	--
0001	PVVR40132		VALVE BODY L.DP 1/4F-1/8FF CP.	1,00	09/03/2010		--
0002	GUGO10330	00010330	O-RING D. 6.07 X 1.78 VIT 70SH	1,00		08/03/2010	--
0003	GUVR41551	00041551	ANTI-EXTR.RING SR 010	1,00		08/03/2010	--
0004	PVVR41553	00041553	SMALL PISTON L.DP. MTM	1,00		08/03/2010	--
0005	PVVR41555	00041555	RING NUT L.DOP. MTM	1,00		08/03/2010	--
0006	LAFN41552	00041552	PIPE D. 22 MTM	1,00			--
0007	VTRS15958	00015958	WASHER UNI 6592 5X15X1,5 ZB	1,00			--
0008	VTVT17639	00017639	SCREW TCEI M 5X10 UNI 5931	1,00			--
0009	MPVR41554	00041554	KNOB D. 22 MTM	1,00			--