

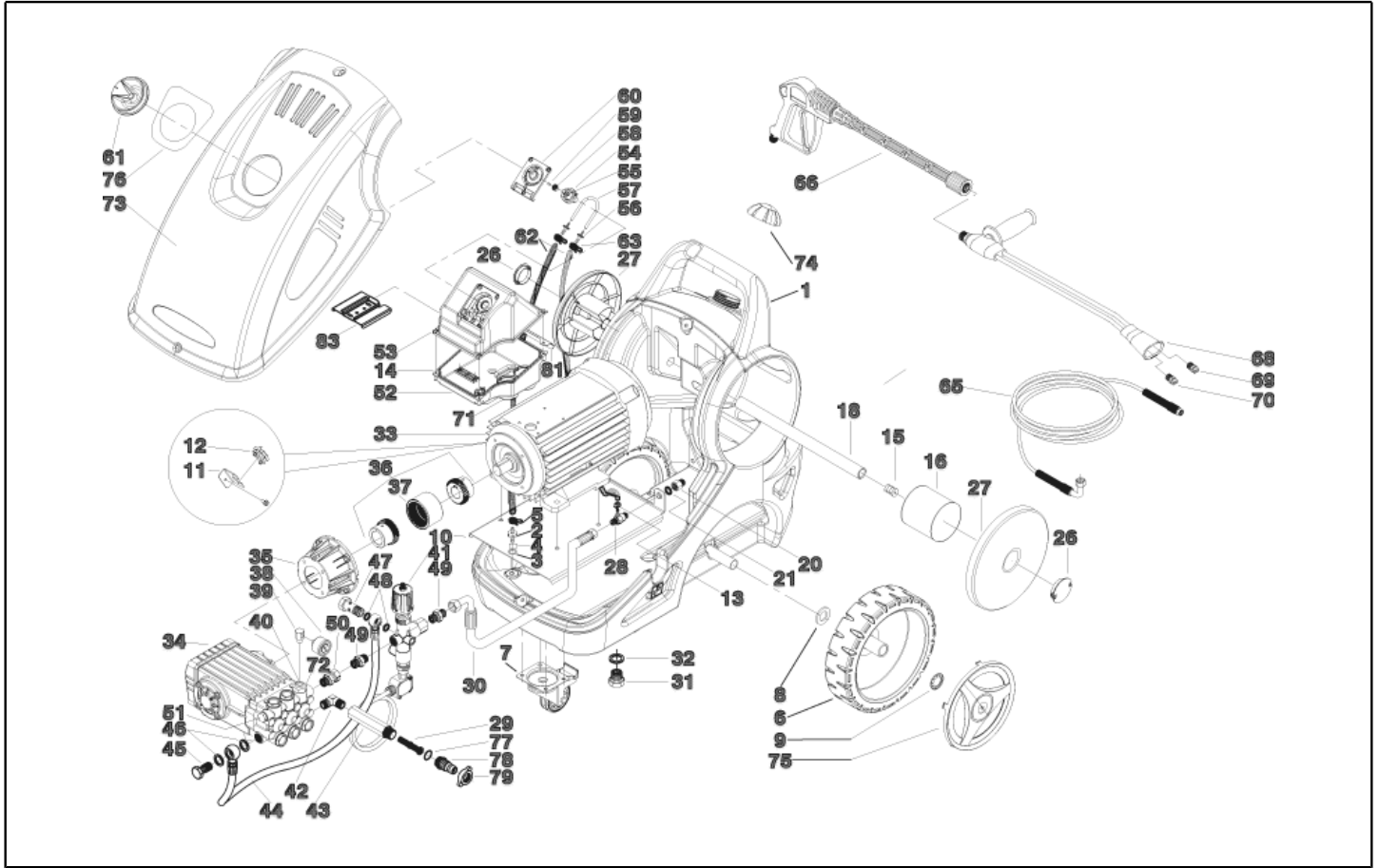


**IPC**

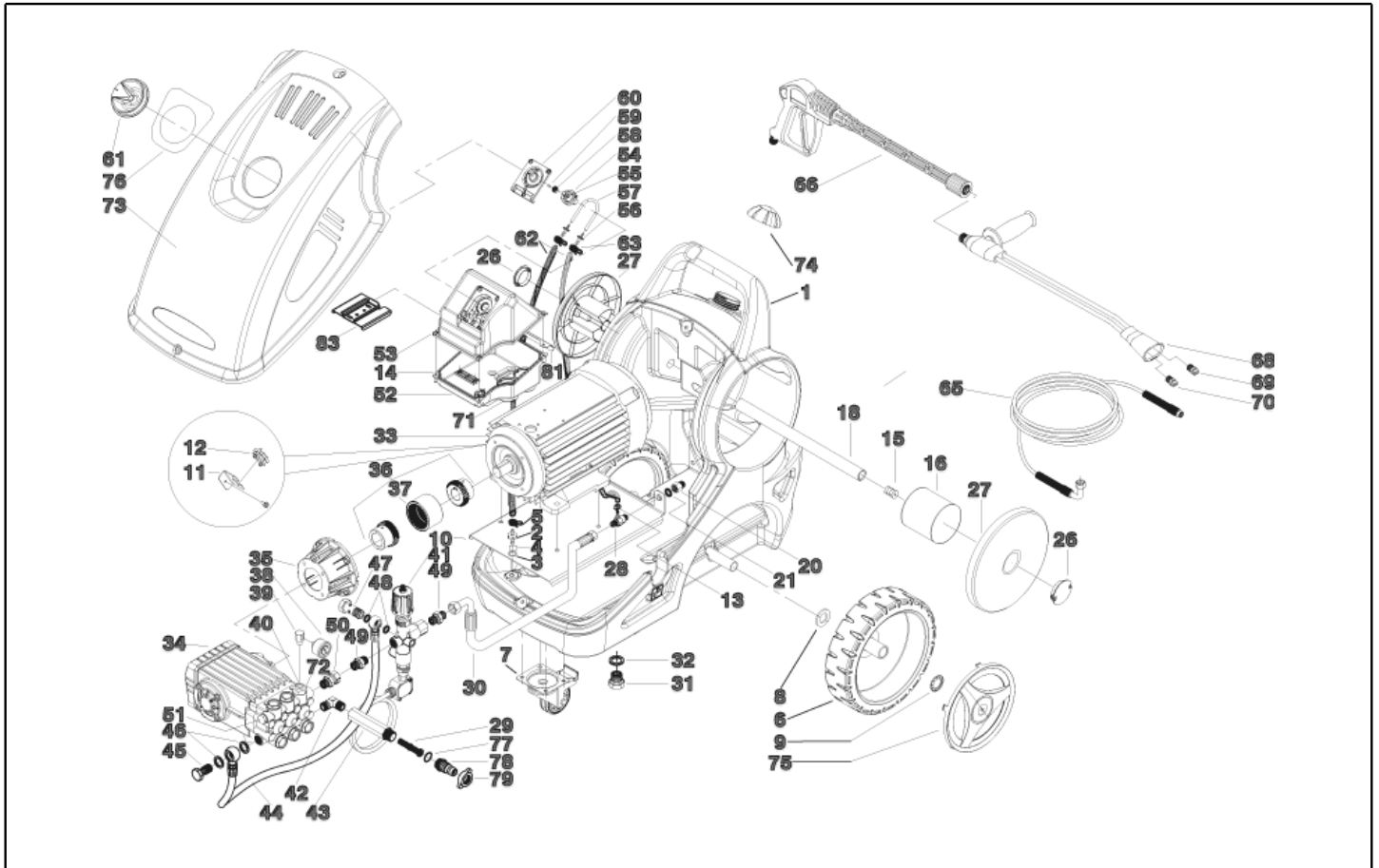
**Spare parts list**

Ref: IDAF40321

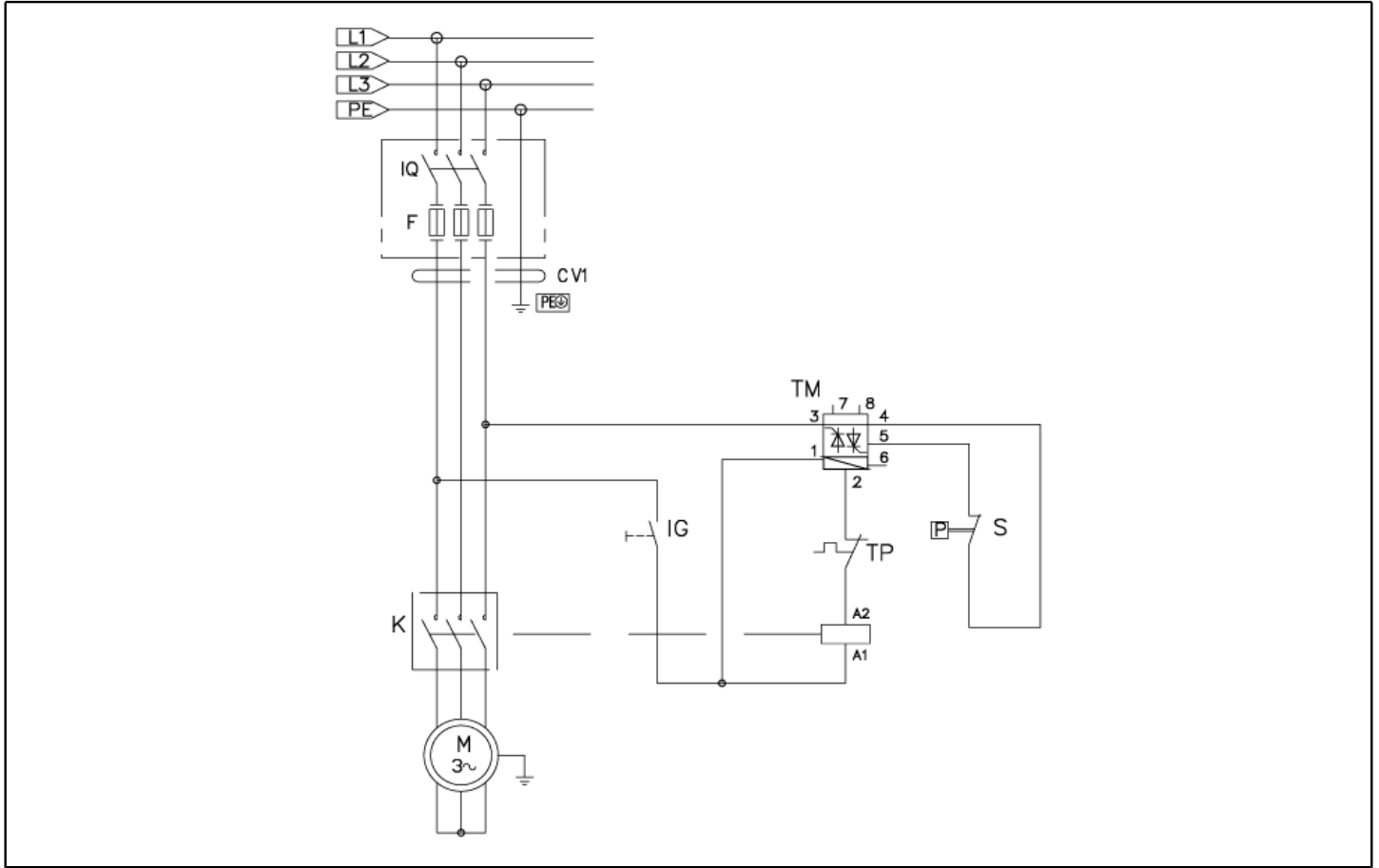
Model: H.P. CLEANER PW-C70 D2517P T400/50 IPC



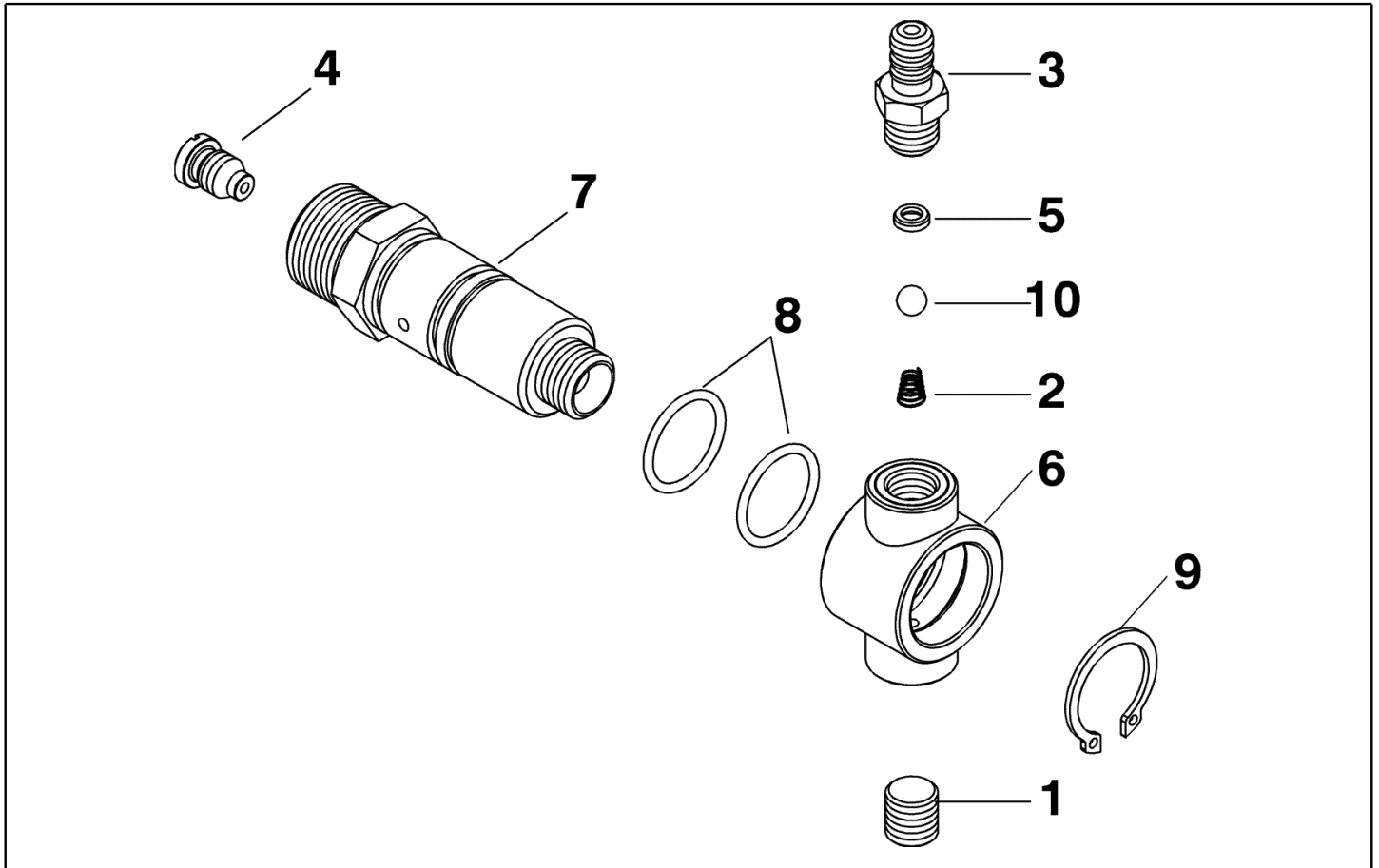
Ref. K	Part n.	Customer part n.	Description	Quantity	Validity		Price
					From	To	
0001	MPVR89771		CHASSIS P237-10CV C.SB. PELD BK.	1,00			--
0002	RCDS88373		HOSE FITTING 1/8 M D. 3- 7 X2 P245 OT.	1,00			--
0003	GUGO01054	00001054	O-RING D. 15.08 X 2.62 NBR 70SH	1,00			--
0004	TBBP15347	00015347	L.P. HOSE D. 6- 8 RILSAN NT.	0,06			--
0005	FSVR72800	00072800	CLAMP D 8.3 - 8.8	1,00			--
0006	RTRT40045		WHEEL D.300-D.25 FLY-IPC BK/GRN	2,00	01/12/2015		--
0006	RTRT45383	00045383	WHEEL D.305-D.25 RT-IPC	2,00		30/11/2015	--
0007	RTRT12872	00012872	TURNING WHEEL D. 80 - P60X 80 - FR M.PL	1,00			--
0008	VTRS73055	00073055	WASHER D.44x26x4 ZC U.6592	2,00			--
0009	VTRS09813	00009813	WASHER D.25	2,00			--
0010	LAFN40283		MOTOR SUPPORT P237 H.112 CMP.	1,00			--
0011	LAFN89774		SUPPORT P237 ZC.	1,00			--
0012	MEVR33994	00033994	CABLE FASTNER 4228 B D. 6- 18	1,00			--
0013	FSVR72803	00072803	CLAMP D 9.3 - 9.9	1,00	01/04/2017		--
0014	GUGO11309	00011309	JOINT MOUSSE D. 3	0,80			--
0015	MPVR40003		PROD D.22 C/F.M8	2,00			--
0016	LAFN40003		DRUM P237 ST. BK	1,00			--
0018	LAFN40286		AXLE P237-10CV ST. BK	1,00			--
0020	RCDS13012	00013012	NIPPLE M22-3/8 D. 7.5	1,00	14/03/2013		--
0021	VTRS04417	00004417	WASHER D.17,5X30 X2,5	1,00	14/03/2013		--
0026	MPVR89776		CAP P237 A.CB.	2,00			--
0027	MPVR89777		CABLE SUPPORT P237	2,00			--
0028	EIDT40003		EJECTOR 3/8 BSP M/F D. 2.1	1,00	14/03/2013		--
0029	FTAC30214	00030214	FILTER D.15X67	1,00			--
0030	TBAP40044		HOSE-FITTING 3/ 8 L=285 R2 3/8F 0- 45°	1,00	14/03/2013		--
0031	RCDS89769		CAP M12X1 CH.6 H.20 OT.	1,00			--
0032	GUGO76542	00076542	O-RING D. 23.47 X 2.62 NBR 70SH	1,00			--
0033	MOTR89784		3PH MOTOR B3-14 HP10 23/400-50 E.X5	1,00			--
0034	PPAP40084		PUMP RK 15.25 DX NC T.OT.	1,00			--
0035	MFVR89552		FLANGE MOTOR H 112 B14-P237 9HP	1,00			--
0036	FGGT88467		FLEX. COUPLING P105 HP 9.0 CPL.	1,00			--
0037	FGGT88465		SLEEVE P105 PA6	1,00			--
0038	MNMN89878		PRESSURE GAUGE G1/4 0-400 D.50 INOX	1,00			--
0040	RCDS89792		CONNECTOR G 1/4M -1/4F 90° P237 OT	1,00			--
0040	PVVR40208		CAP AR RK C/F. 1/4F+OR	1,00			--
0041	VVAZ40082		VALVE VRT3 3/8F 28MPa +1/4F+SW	1,00	15/11/2016		--
0041	VVAZ89669		VALVE BP 9 3/8F-250B. +SWITCH	1,00		14/11/2016	--
0042	RCVR72843	00072843	CONNECTOR 90g 1/2"Gj AP	1,00			--
0043	RCDS89865		SLEEVE 3/4-1/2 M/F P237 OT	1,00			--
0044	TBBP28994	00028994	L.P. HOSE L= 390 1/2OCC-3/8OCC. 90°	1,00			--
0045	RCDS16328	00016328	SCREW G 1/2 D.8	1,00			--
0046	VTRS12491	00012491	WASHER 1/2	2,00		30/11/2015	--
0046	VTRS40027		WASHER 1/2 ZC + NBR 85SH	2,00	01/12/2015		--
0047	RCDS01371	00001371	SCREW G 3/8 A.P.	1,00			--



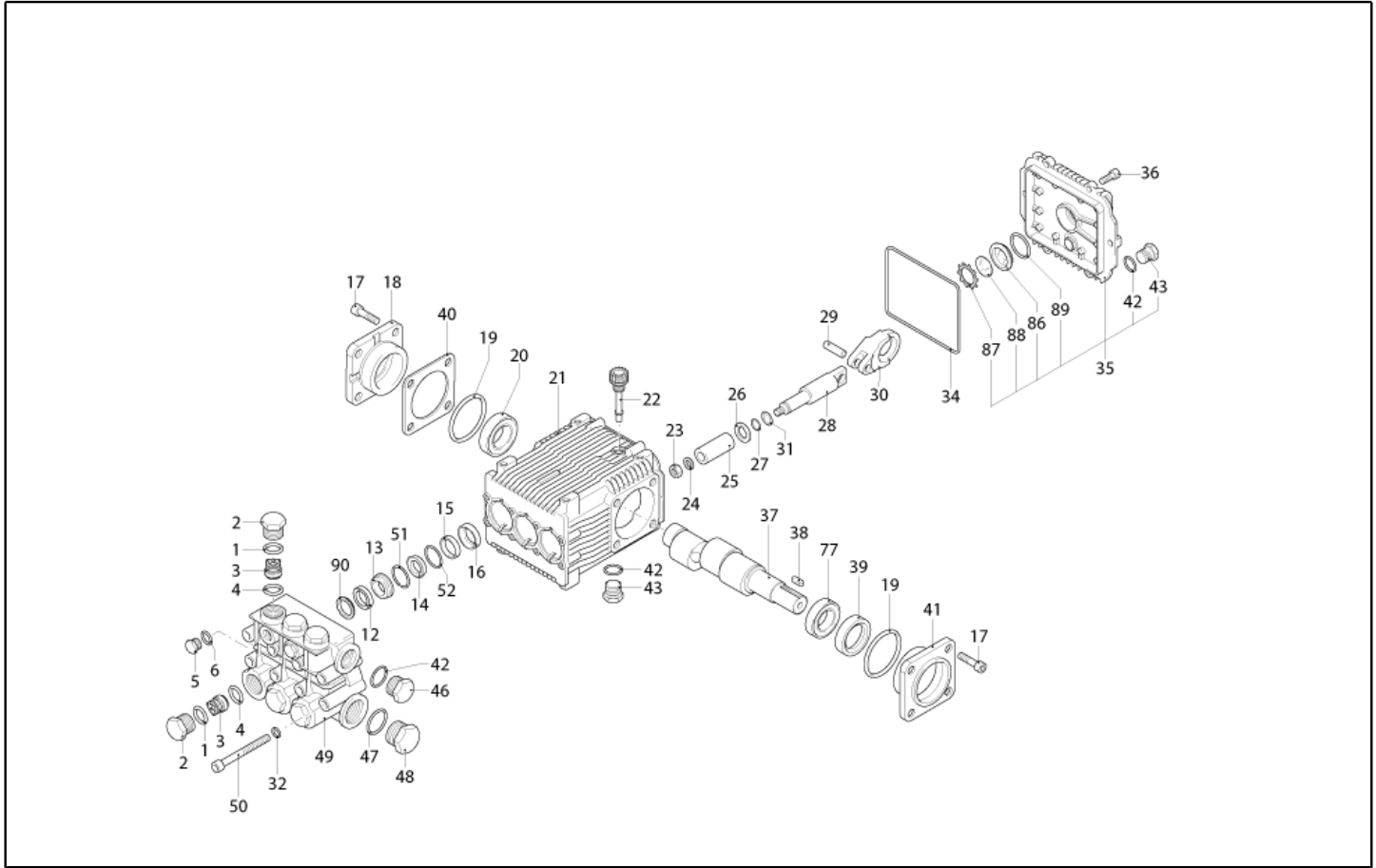
Ref. K	Part n.	Customer part n.	Description	Quantity	Validity		Price
					From	To	
0048	VTRS12492	00012492	WASHER 3/8	2,00		30/11/2015	--
0048	VTRS40026		WASHER 3/8 ZC + NBR 85SH	2,00	01/12/2015		--
0049	RCDS00610	00000610	NIPPLE 3/8 - 3/8 SV	2,00			--
0050	RCVR00563	00000563	SWIVEL RACCORD 3/8 M/F	1,00			--
0051	RCVR00659	00000659	CAP 1/4 M	1,00			--
0052	MPVR89768		CONTROL BOX P237 PA6 BK.	1,00			--
0053	MPVR89767		BOX COVER P237 PA6 BK.	1,00			--
0054	MPVR89759		TAIL PIECE P237 INT. PA6 BK.	1,00			--
0055	GUGO01032	00001032	O-RING D. 17.13 X 2.62 NBR 70SH	1,00	22/09/2006		--
0055	GUGO19395	00019395	O-RING D. 20.24 X 2.62 NBR 70SH	1,00		21/09/2006	--
0056	RCDS89761		HOSE FITTING PA6 D. 3.5-7 P237	2,00			--
0057	TBBP89815		L.P. HOSE D. 4 - 8.5 SILIC. NT.	0,19			--
0058	MPVR89760		ROLLER P237 PA6 BK.	1,00			--
0059	LAFN89793		PIN P237 INX	1,00			--
0060	MPVR89763		COVER P237 PA6 BK.	1,00			--
0061	MPVR89762		BLACK KNOB P237 PA6	1,00			--
0062	TBBP04917	00004917	L.P. HOSE D. 6- 9	0,80		30/04/2012	--
0062	TBBP93804		L.P. HOSE D. 6- 9	0,80	01/05/2012		--
0062	TBBP04917	00004917	L.P. HOSE D. 6- 9	0,50	18/03/2010	30/04/2012	--
0062	TBBP93804		L.P. HOSE D. 6- 9	1,00	01/04/2017		--
0063	FSVR72803	00072803	CLAMP D 9.3 - 9.9	2,00			--
0065	TBAP25324	00025324	H.P. HOSE R1 MT 10 5/16" C/2 IRV ZC	1,00			--
0066	IPPR40002		GRIP G 5000+P.330 +M22 SW.M V	1,00		07/04/2014	--
0066	IPPR40016		GRIP G 5000+P.330 +M22 SW.M V2	1,00	08/04/2014	31/01/2016	--
0066	IPPR40020		GRIP G 6000+P.330 +M22 SW.M V	1,00	01/02/2016		--
0068	LCPR12983	00012983	DOUBLE EXTENS. PD 70	1,00		09/11/2016	--
0068	LCPR89117		DOUBLE EXTENS. PD 70 M22 M -1/4F INX MV	1,00	10/11/2016		--
0069	UGLN89941		NOZZLE LECH 1/4 6070 OT.	1,00	19/05/2006		--
0069	UGLN49991	00049991	NOZZLE LECH 1/4 2504	1,00			--
0070	UGLN05174	00005174	NOZZLE 1/4 5040 OT	1,00		18/05/2006	--
0071	GUGO89794		O-RING 41.28 X 3.53- NBR -70SH	1,00			--
0073	MPVR40300		GREEN COVER P237-10CV PP GR.368C	1,00			--
0074	MPVR45426	00045426	TANK CAP P176 PEHD	1,00			--
0075	MPVR40292		HUB CAP D. 305 RT-PRT GR.368C	2,00		30/11/2015	--
0075	MPVR40734		HUB CAP D.50 G-48/IPC GR.368C	2,00	01/12/2015		--
0076	ETET40417		LABEL P237-EV.X5 GR. PLC	1,00			--
0077	GUGO01054	00001054	O-RING D. 15.08 X 2.62 NBR 70SH	1,00			--
0078	RCDS08965	00008965	HOSE FITTING OTT.	1,00			--
0079	RCDS09316	00009316	CONNECTION G. 3/4	1,00			--
0083	LAFN46067	00046067	SUPPORT L.60 P176	1,00	04/09/2014		--



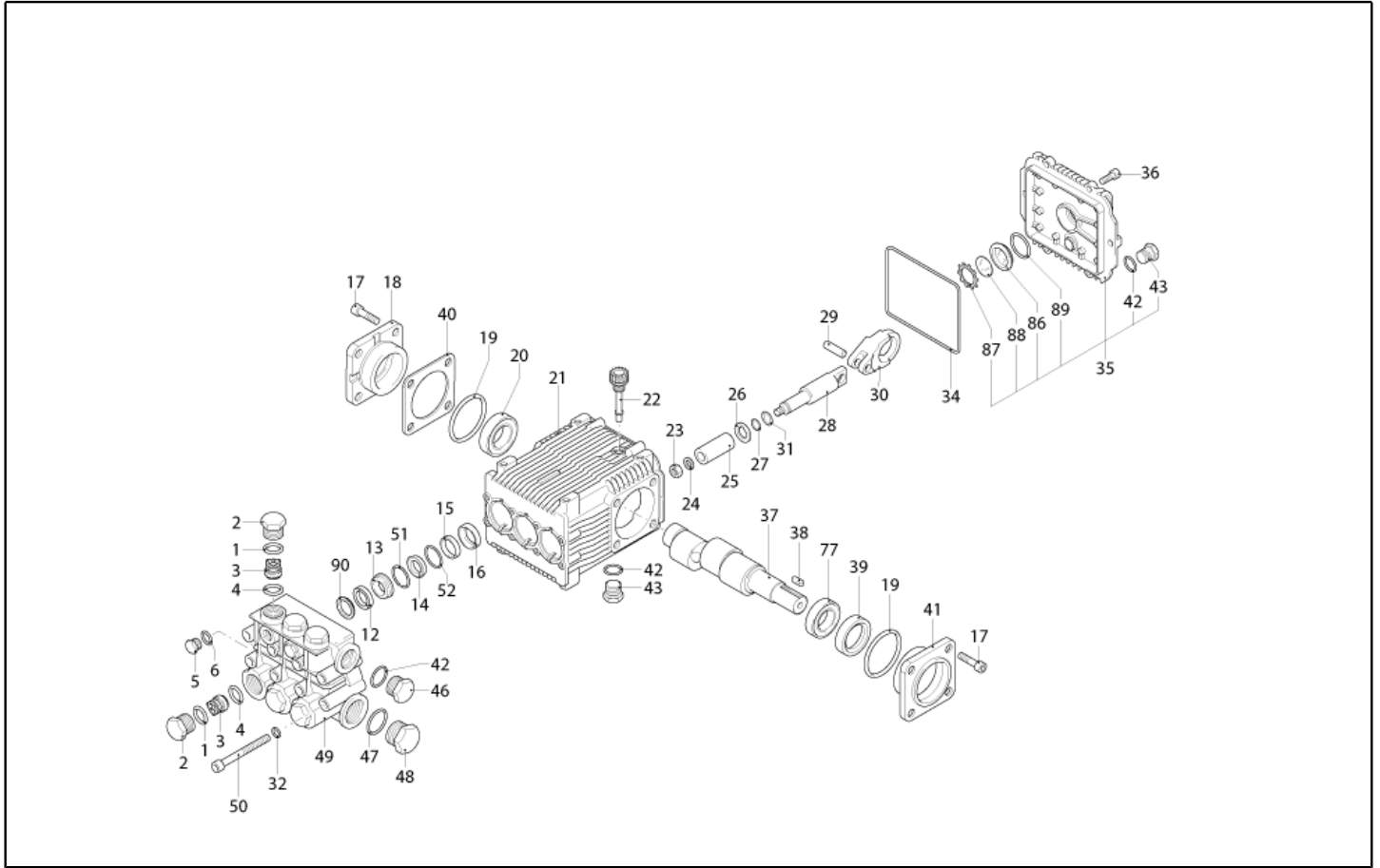
Ref. K	Part n.	Customer part n.	Description	Quantity	Validity		Price
					From	To	
K	METT40021		CONTACTOR SIE 3RT 2025-1AV00 400V	1,00	04/09/2014		--
K	METT89844		CONTACTOR SIE 3RT 1025 1AV00 400V	1,00		03/09/2014	--
S	MEPF40000		PRESSURE SWITCH BP9 -3F.	1,00			--
IG	MECI89816		MICROSWITCH XGG2-86 Z284	1,00			--
TM	METY40000		TIMER THV/1 400-5/60 30S.VM	1,00	01/09/2015		--
TM	METY89835		TIMER THV/1+OPTO 380V 5/60 30S	1,00		31/08/2015	--
CV1	MECB89887		CABLE H07RNF 4X4 L. 6.500	1,00			--



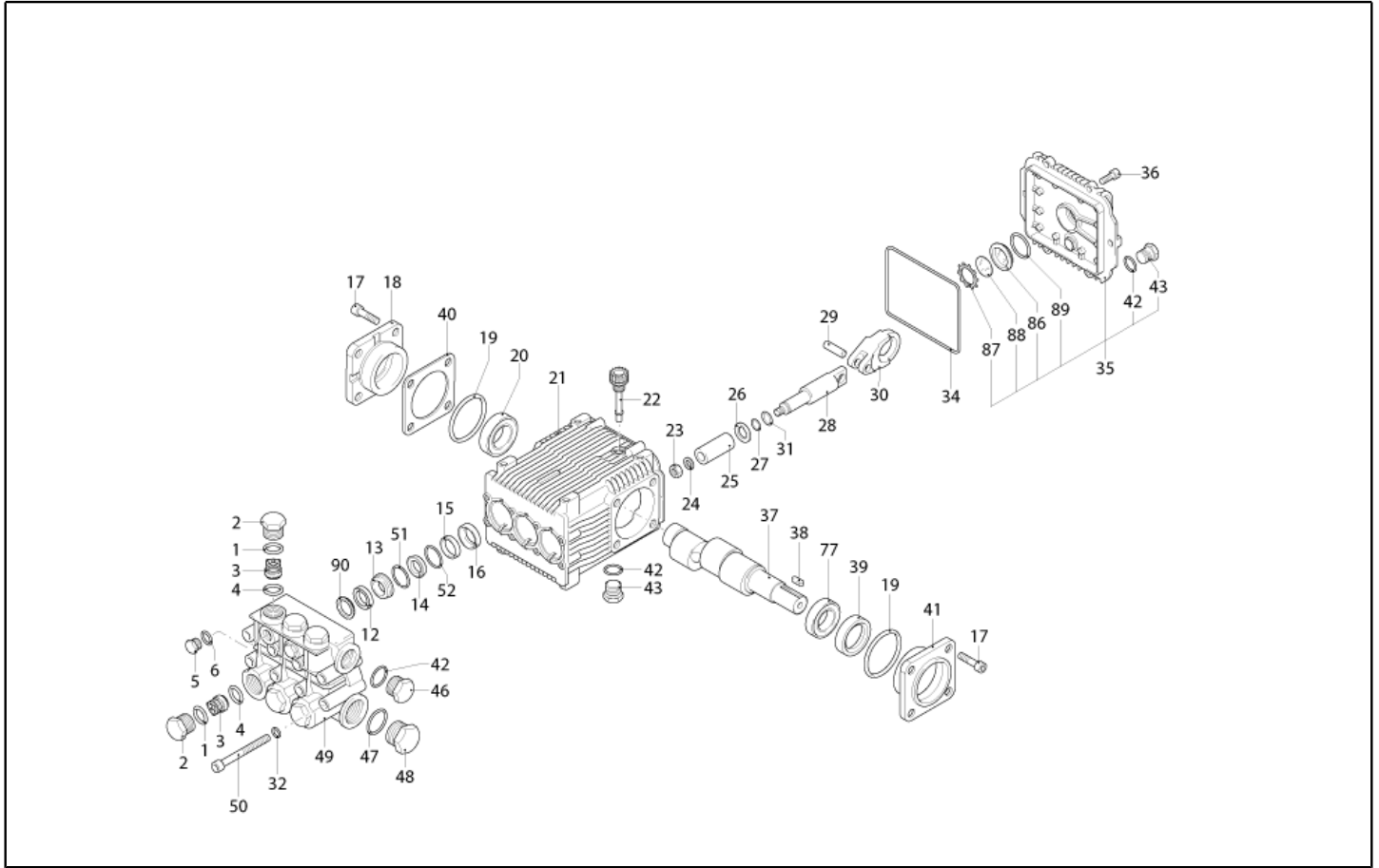
Ref. K	Part n.	Customer part n.	Description	Quantity	Validity		Price
					From	To	
0001	RCDS59682	00059682	CAP 1/8 M OT.NIK EI.CN	1,00			--
0002	MLML47996	00047996	SPRING D. 5.5	1,00			--
0003	PVVR40014		HOSE FITTING P237-MV	1,00			--
0004	UGEI40002		NOZZLE D. 2.1 MV OT.	1,00	01/10/2006		--
0005	PVVR47994	00047994	BALL SEAT MV 625	1,00			--
0006	PVVR47995	00047995	METERING. BODY MV 625 GIR.	1,00			--
0007	PVVR40015		METERING. BODY G1/2 P237	1,00			--
0008	GUGO01058	00001058	O-RING D. 17.17 X 1.78 NBR 70SH	2,00			--
0009	VTAE06193	00006193	CIRCLIP D. 20 UNI 7435	1,00			--
0010	SFVR04274	00004274	BALL D. 7/32	1,00			--



Ref. K	Part n.	Customer part n.	Description	Quantity	Validity		Price
					From	To	
0001	GUGO03502	00003502	O-RING D. 17.86 X 2.62 NBR 70SH	6,00			--
0002	PVVR40161		CAP AR RR	6,00			--
0003	S VVAM40003		VALVE UNIT RR	6,00			--
0004	S GUGO02259	00002259	O-RING D. 15.54 X 2.62 NBR 70SH	6,00			--
0005	PVVR40129		CAP 1/4 M RC	2,00			--
0006	GUGO01036	00001036	O-RING D. 10.82 X 1.78 NBR 70SH	2,00			--
0012	S GUVR40045		PACKING D. 18 RW H.P.	3,00			--
0013	S PVVR40238		INTERMED. RING D.18 RK	3,00			--
0014	S GUVR40056		PACKING D.18 RK	3,00			--
0015	S PVVR40239		SPACER D. 35 RK	3,00			--
0016	S GUGO40022		OIL SEAL RK	3,00			--
0017	VTVT01118	00001118	SCREW TCEI M 8X16 ZC. UNI 5931	8,00			--
0018	MFVR40038		CRANKASE COVER AR RK LT.	1,00			--
0019	S GUGO01053	00001053	O-RING D. 60 X 2.62 NBR 70SH	2,00			--
0020	CUVR40011		BEARING 30304 DQ	1,00			--
0021	MFVR40039		PUMP CRANKCASE AR RK	1,00			--
0022	PVVR19231	00019231	OIL CAP XTS	1,00			--
0023	VTDD00483	00000483	NUT M 8 ZIN UNI 5588	3,00			--
0024	VTRS19394	00019394	WASHER D. 8X13X0.5	3,00			--
0025	S PIVR40012		PISTON D.18X40 RK	3,00			--
0026	PVVR40218		DISC RK	3,00			--
0027	GUGO08071	00008071	O-RING D. 4.48 X 1.78 NBR 70SH	3,00			--
0028	PVVR40217		PISTON GUIDE RK	3,00			--
0029	PVVR40211		GUDGEON D. 10X25 RK	3,00			--
0030	BLVR40005		CONNECTING ROD RK	3,00			--
0031	GUVR40044		ANTI-EXTR.RING D. 5 X 8 X1	3,00			--
0032	VTRS00504	00000504	WASHER D. 8 TE ZC. UNI 6592	8,00			--
0034	S GUGO40023		O-RING D. 106 X 3 NBR 70SH	1,00			--
0035	MFVR40041		CRANKASE COVER AR RK	1,00			--
0036	VTVT01114	00001114	SCREW TCEI 6X14 UNI 5931	6,00			--
0037	ALMO40019		SHAFT AR RK18.16 NC	1,00			--
0038	VTVR41531	00041531	KEY 8X 7X35 UNI 6604A	1,00			--
0039	S GUGO01245	00001245	OIL SEAL 25X 45X10-L-CM -NBR70	1,00			--
0040	PVVR40214		THICKNESS AR 0,20 mm	1,00			--
0041	MFVR40040		CRANKASE COVER AR RK LAT. OPEN	1,00			--
0042	GUGO09720	00009720	O-RING D. 14 X 1.78 NBR 70SH	3,00			--
0043	PVVR40099		CAP 3/8 M HRM	1,00			--
0046	PVVR40099		CAP 3/8 M HRM	1,00			--
0047	GUGO19245	00019245	O-RING D. 17.5 X 2 NBR 70SH	1,00			--
0048	PVVR40121		CAP 1/2 M RC	1,00			--
0049	MFVR40049		HEAD AR RK 15.25	1,00			--
0050	VTVT37530	00037530	SCREW TCEI M 8X70 UNI 5931	8,00			--
0051	S GUGO09699	00009699	O-RING D. 18.77 X 1.78 NBR 70SH	3,00			--
0052	S GUGO01039	00001039	O-RING D. 31.47 X 1.78 NBR 70SH	3,00			--

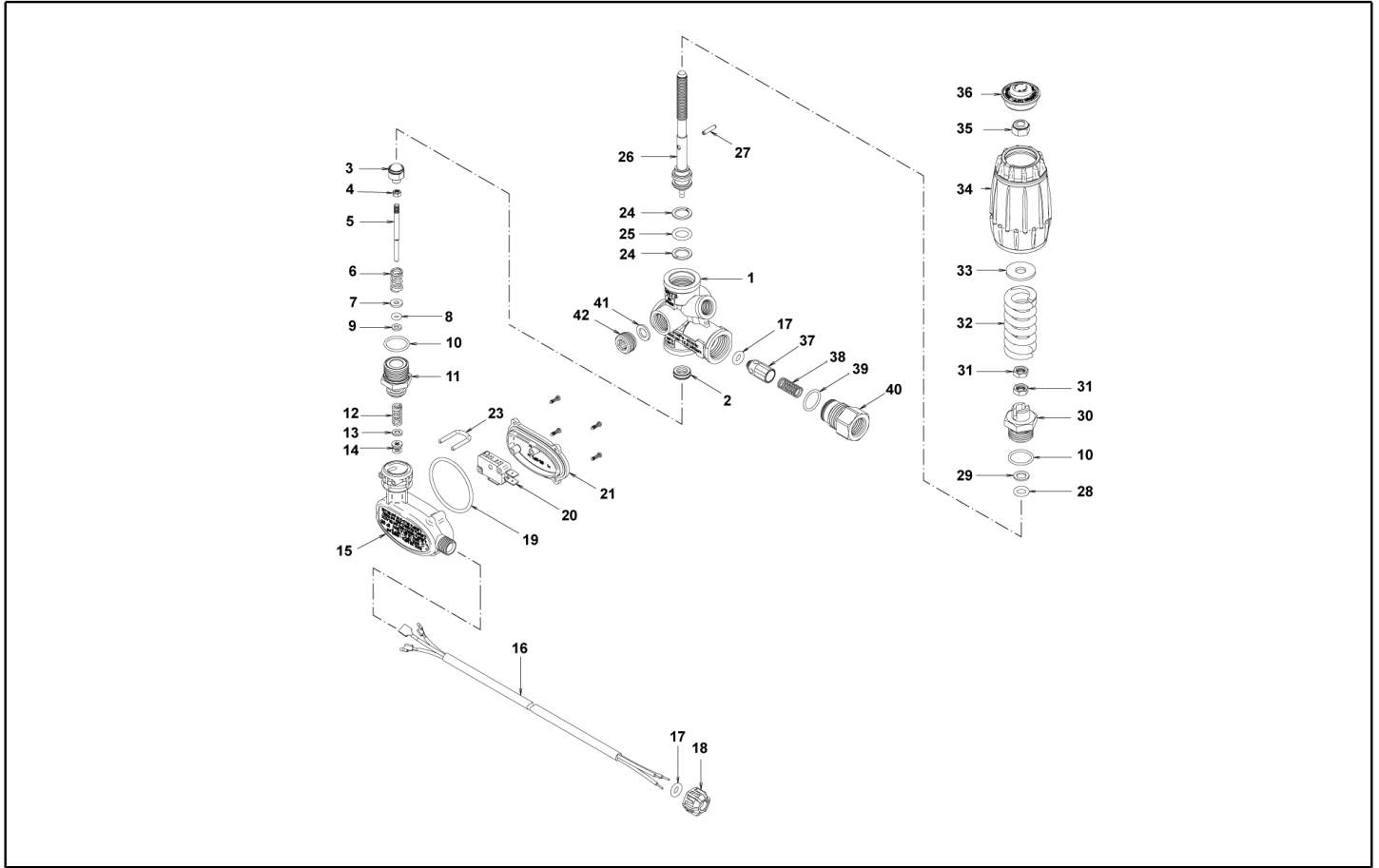


Ref. K	Part n.	Customer part n.	Description	Quantity	Validity		Price
					From	To	
0077	CUVR66788		BEARING D.25X52X16,25 30205 SKF	1,00			--
0086	PVVR19238	00019238	OIL INDICATOR XTS	1,00			--
0087	VTAE19239	00019239	SEEGER 0,5 X25,35X16,0	1,00			--
0088	PVVR40199		DISC CONTRASTO POMPA RW	1,00			--
0089	GUGO19395	00019395	O-RING D. 20.24 X 2.62 NBR 70SH	1,00			--
0090	S PVVR40182		HEAD RING D. 18 RW	3,00			--

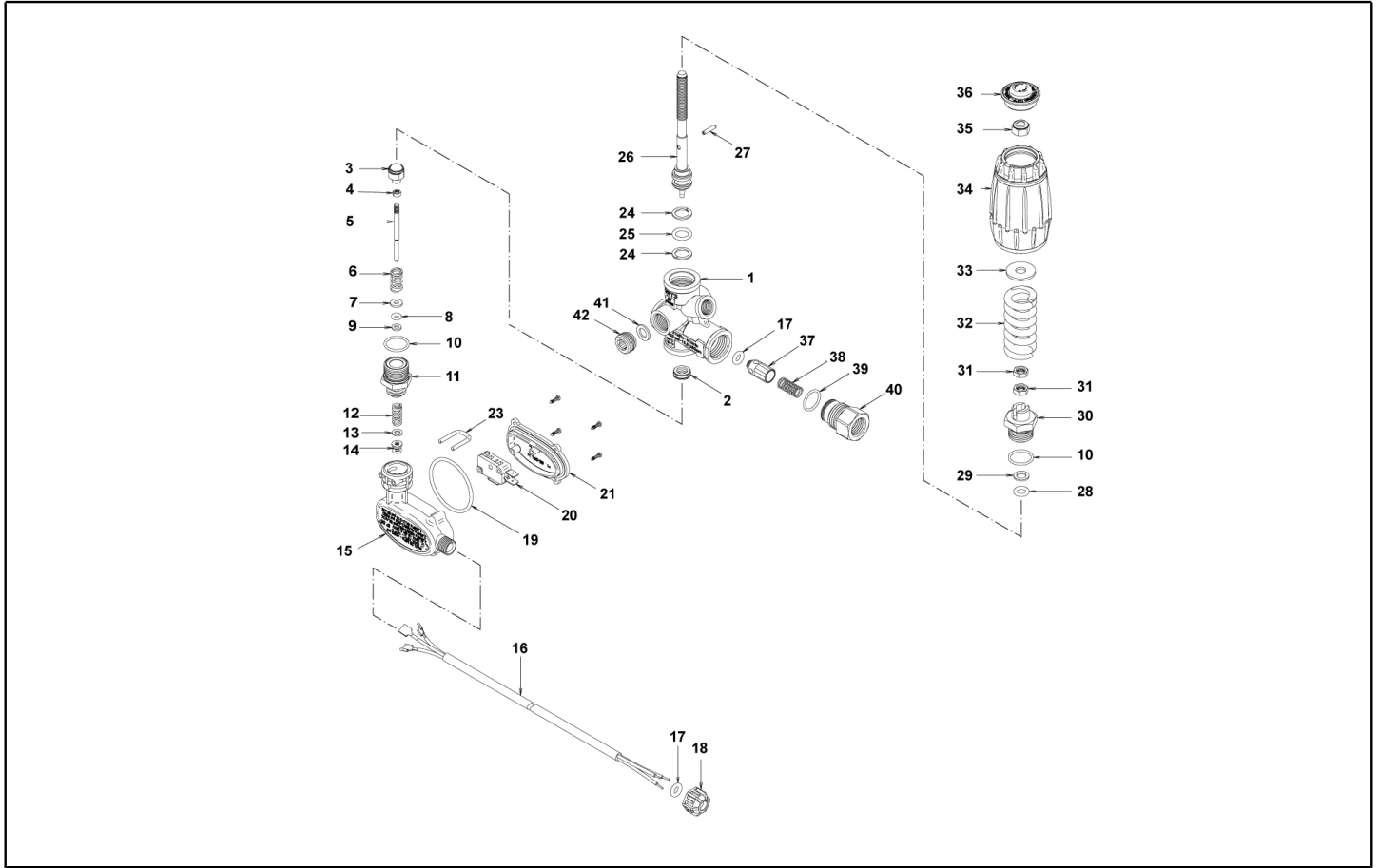


Ref. Part n.	Cust. part n.	Description	Reference	Price
KTRI40298		KIT P 15-42000 D.18 RK	0012 0013 0014 0015 0051 0052 0090	--
K A KTRI40142		KIT P 15-42909 RR	0003 0004	--
K B KTRI40169		KIT P 15-2500 RK	0025	--
K C KTRI40167		KIT P 15-1855 RK	0016 0019 0034 0039	--
K E KTRI40190		KIT P 15-42473 D.18 RK	0051 0052 0012 0014	--
K G KTRI40191		KIT P 15-1829 D.18 RK	0090	--

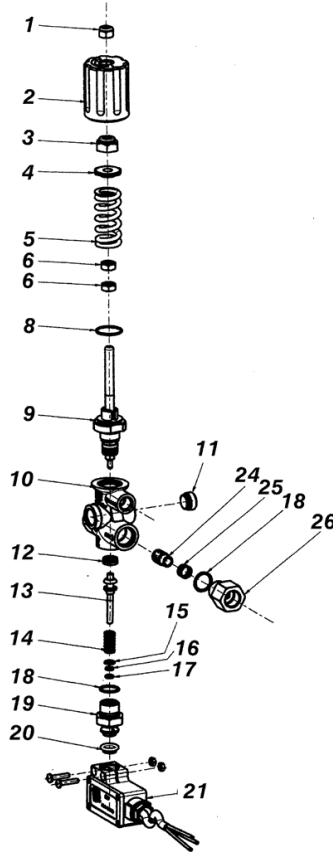




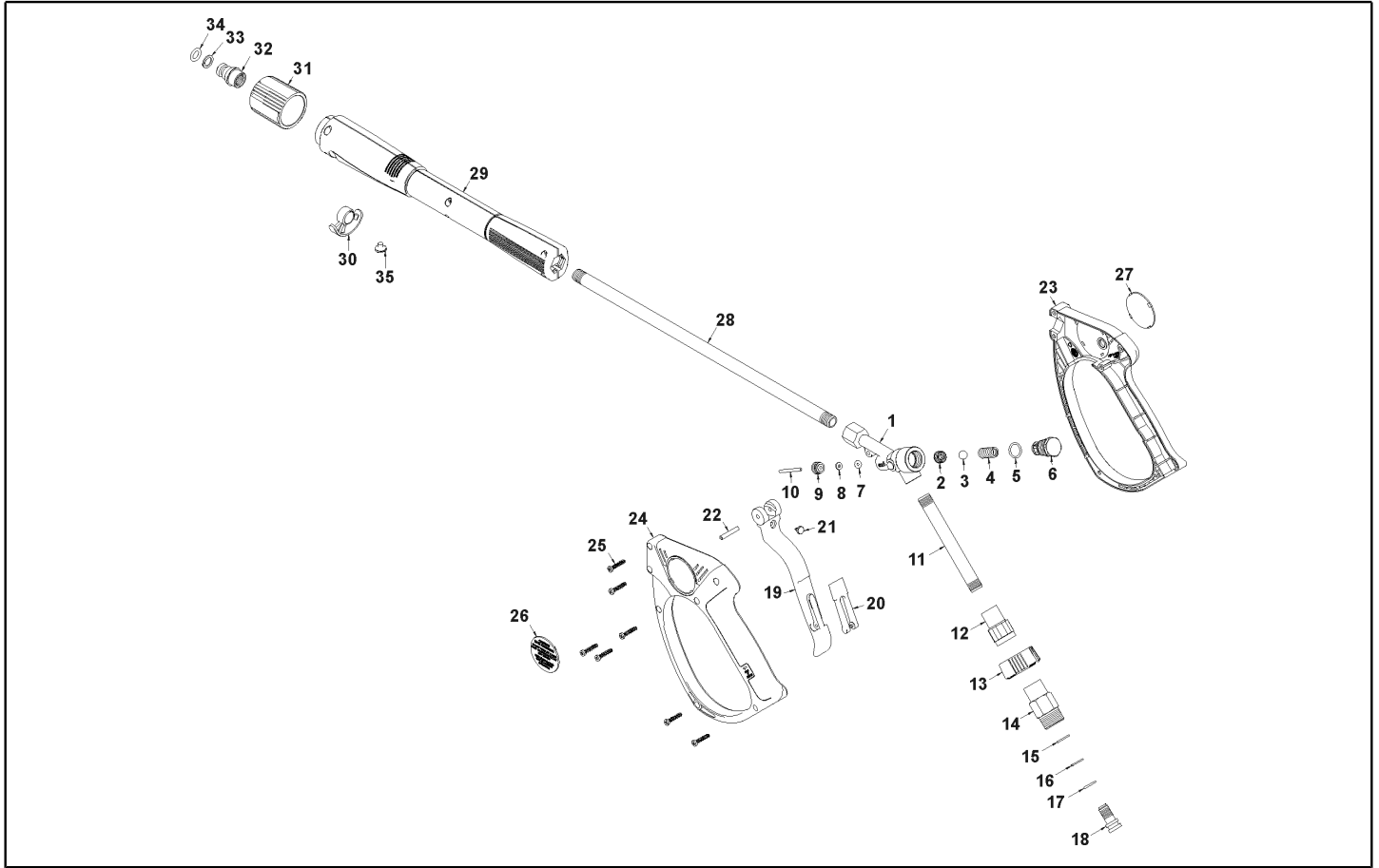
Ref. K	Part n.	Customer part n.	Description	Quantity	Validity		Price
					From	To	
0001	PVVR40342		VALVE BODY VRT3 3/8F	1,00			--
0002	S PVVR40474		BALL SEAT D.8 VRT3 + OR	1,00			--
0003	S PVVR40475		COUPLING VRT 13/32"	1,00			--
0004	S VTDD63179	00063179	NUT M 4 OT.	1,00			--
0005	S PVVR40457		CONTROL ROD PS6 MV 0316	1,00			--
0006	MLML40024		SPRING MV0316 28	1,00			--
0007	VTRS40031		WASHER D. 4 X10 X1.5 OT	1,00			--
0008	S GUGO01201	00001201	O-RING D. 3.6 X 2.4 -NBR 70SH	1,00			--
0009	S GUVVR41557	00041557	ANTI-EXTR.RING D. 4 X 7.8X1.2	1,00			--
0010	S GUGO24913	00024913	O-RING D. 17.17 X 1.78 NBR 90SH	2,00			--
0011	PVVR40458		CONNECTOR PS6 VRT-3	1,00			--
0012	MLML40033		SPRING PS2 15BAR	1,00			--
0013	VTRS40032		WASHER D. 4.5X8.5X1.0 OT	1,00			--
0014	S GUVVR40090		GASKET PS3 VRT-3	1,00			--
0015	MPVVR40813		SHELL PS6 BK.	1,00			--
0016	MECB40341		CABLE 3X1 L=1.2 BK.	1,00			--
0017	S GUGO46053	00046053	O-RING D. 6 X 3 NBR 90SH	2,00			--
0018	MPVVR40814		RING NUT PS3 BK.	1,00			--
0019	S GUGO02267	00002267	O-RING D. 44.12 X 2.62 NBR -70SH	1,00			--
0020	MECI40039		MICROSWITCH XG PS6	1,00			--
0021	MPVVR40815		COVER PS6 BK.	1,00			--
0023	LAFN40886		PLUG "U" PS6	1,00			--
0024	S GUVVR40070		ANTI-EXTR.RING D. 11.5X15.9X1.2	2,00			--
0025	S GUGO11225	00011225	O-RING D. 10.78 X 2.62 NBR 70SH	1,00			--
0026	PVVR40345		PUSH ROD VRT3	1,00			--
0027	VTVR40045		ELASTIC PLUG 3X14 UNI-EN28748	1,00			--
0028	S GUGO21638	00021638	O-RING D. 7.60 X 2.62 NBR 70SH	1,00			--
0029	S GUVVR40071		ANTI-EXTR.RING D. 8 X 12.6	1,00			--
0030	PVVR40346		ROD GUIDE VRT3	1,00			--
0031	VTDD40011		NUT M 8 OT UNI EN 24035	2,00			--
0032	MLML40039		SPRING D. 5.7/20.7X56 31MPa	1,00			--
0033	VTRS00512	00000512	WASHER D. 8 X24 ZC.	1,00			--
0034	PVVR40347		KNOB VRT3-VHP	1,00			--
0035	VTDD00124		NUT M 8 BASSO	1,00			--
0036	PVVR40476		CAP VRT3 31MPa	1,00			--
0037	PVVR40349		COUPLING VRT3	1,00			--
0038	MLML40026		SPRING VRT3	1,00			--
0039	S GUGO12321	00012321	O-RING D. 15.6 X 1.78 NBR 90SH	1,00			--
0040	PVVR40350		CONNECTOR VRT3 G 3/8F	1,00			--
0041	VTRS12254	00012254	WASHER D. 8X14X1.5	1,00			--
0042	PVVR40351		CAP EI G 3/8 VRT3 OT	1,00			--



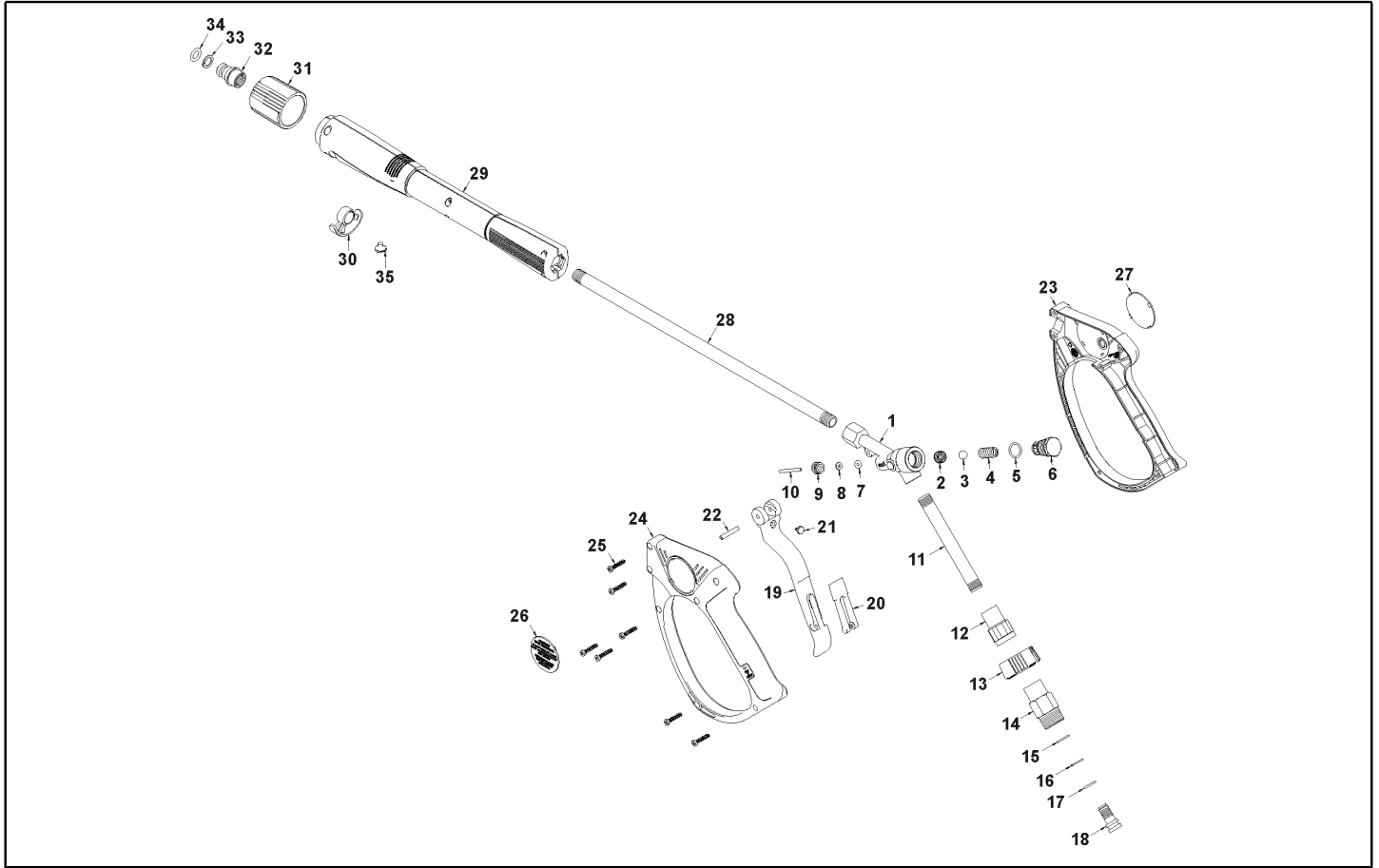
Ref. Part n.	Cust. part n.	Description	Reference	Price
KTRI40401		KIT P 14-116 VRT3 +PS6 31MPa	0002 0003 0004 0005 0008 0009 0010 0014 0017 0019 0024 0025 0028 0029 0039	--



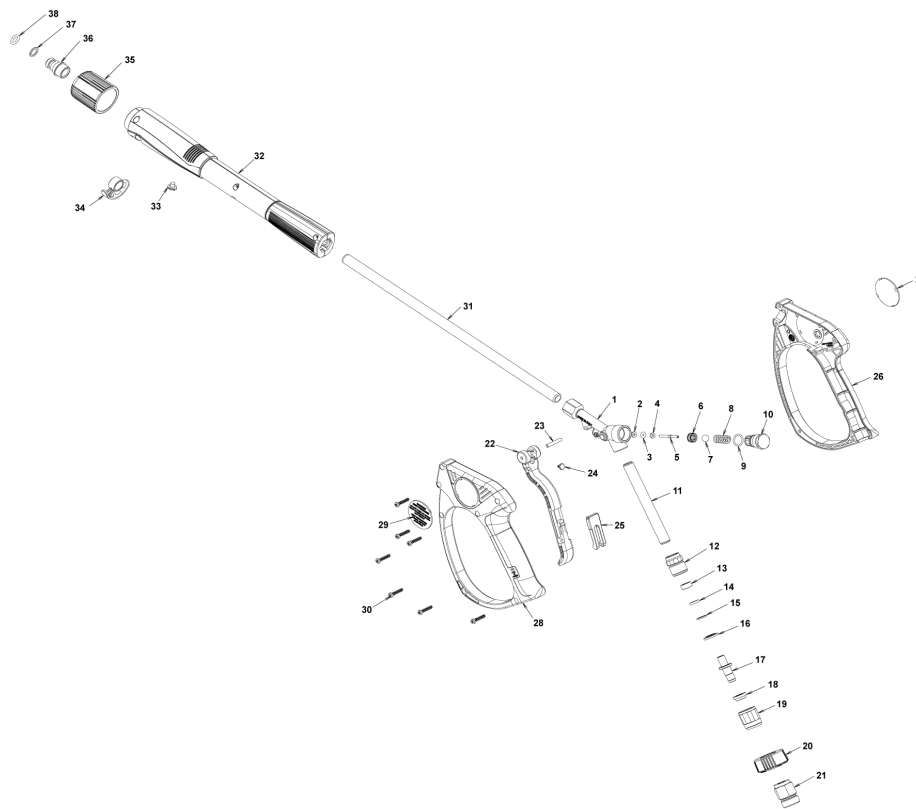
Ref. K	Part n.	Customer part n.	Description	Quantity	Validity		Price
					From	To	
0001	VTDD89669		NUT M 8 X1 AUT. INX A2	1,00			--
0002	MPVR40002		KNOB BP9 BK.	1,00			--
0003	VTDD88134	00088134	NUT M 8 BY-PASS BP91	1,00			--
0004	PVVR88140	00088140	SPRING PLATE BP91	1,00			--
0005	MLML40001		SPRING D.15.6 X27 L=51.5 250B.	1,00			--
0006	VTDD40000		NUT M 8 X1 UNI5588 INX A2	1,00			--
0008	GUGO11652	00011652	O-RING D. 12.42 X 1.78 NBR 70SH	1,00			--
0009	PVVR40016		PUSH ROD BP9 CP.	1,00			--
0010	PVVR88137	00088137	VALVE BODY BP91 RIT.3/8"F	1,00			--
0011	PVVR88139	00088139	CAP 3/8 M BP91	1,00			--
0012	PVVR88135	00088135	INSERT BY-PASS BP91	1,00			--
0013	PVVR40017		CONTROL PISTON BP9+SW.	1,00			--
0014	MLML40002		SPRING D. 7.3 X10.1 L=24.3 INX	1,00			--
0015	GUVR40004		ANTI-EXTR.RING D. 5.1X 7.9X1.5	1,00			--
0016	GUGO08071	00008071	O-RING D. 4.48 X 1.78 NBR 70SH	1,00			--
0017	VTRS00516	00000516	WASHER D. 5 INX	1,00			--
0018	GUGO03505	00003505	O-RING D. 15.6 X 1.78 NBR 70SH	2,00			--
0019	PVVR40018		VALVE GUIDE BP9	1,00			--
0020	GUGO40001		GASKET BP9	1,00			--
0021	MEPF40000		PRESSURE SWITCH BP9 -3F.	1,00			--
0022	VTDD00147		NUT M 4 INX U.5588	2,00			--
0023	VTVT27366	00027366	SCREW M 4X20 TCB T-CROCE INOX	2,00			--
0024	PVVR49636	00049636	SMALL PISTON BP91 C/OR	1,00			--
0025	MLML40004		SPRING BP 9	1,00			--
0026	PVVR49638	00049638	CONNECTOR BP91 3/8F	1,00			--



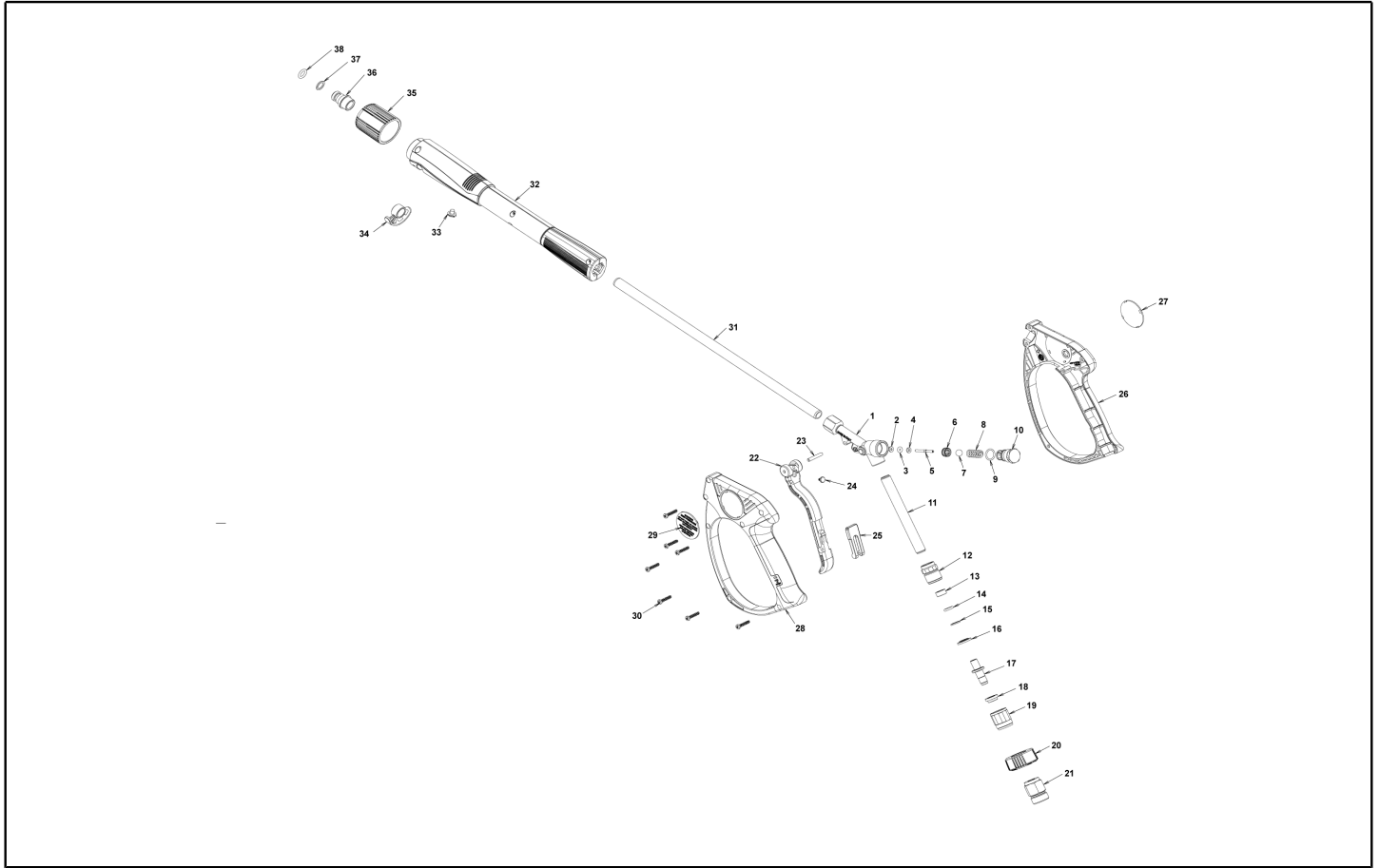
Ref. K	Part n.	Customer part n.	Description	Quantity	Validity		Price
					From	To	
0001	PVVR40111		GUN BODY G 5000 G1/4F	1,00			--
0002	S PVVR40112		BALL SEAT G 5000	1,00			--
0003	S SFVR06779	00006779	BALL INOX 11/32	1,00			--
0004	S MLML40016		SPRING D. 9.4 x21.5x1.6 G5000	1,00			--
0005	S GUGO21841	00021841	O-RING D. 12.42 X 1.78 NBR 90SH	1,00			--
0006	PVVR40113		CAP G 5000	1,00			--
0007	S GUGO17952	00017952	O-RING D. 2.84 X 2.62 NBR 70SH	1,00			--
0008	S GUVR40032		ANTI-EXTR.RING D. 3	1,00			--
0009	S PVVR40114		PISTON GUIDE G 5000	1,00			--
0010	S PVVR40115		SMALL PISTON G 5000	1,00			--
0011	PVVR40116		TUBE G 1/4" L.110	1,00			--
0012	RCIN40007		CONNECTOR SWIV G5000 1/4F	1,00			--
0013	MPVR40190		RING NUT G 5000 SW.	1,00			--
0014	RCIN40008		JOINT SWIV 5000 M22	1,00			--
0015	S PVVR40117		RING SW. G 5000	1,00			--
0016	S GUVR40033		ANTI-EXTR.RING D. 11	1,00			--
0017	S GUGO01036	00001036	O-RING D. 10.82 X 1.78 NBR 70SH	1,00			--
0018	PVVR40118		SCREW SW. G 5000	1,00			--
0019	MPVR40191		TRIGGER G 5000-SW	1,00			--
0020	MPVR40192		SAFETY-DEVICE G 5000-SW	1,00			--
0021	PVVR45053	00045053	PAWL G 2100 INX	1,00			--
0022	VTVR40008		PLUG D. 3 G5000	1,00			--
0023	MPVR40193		SHELL G 5000-SW 2PZ.	1,00			--
0024	MPVR40193		SHELL G 5000-SW 2PZ.	1,00			--
0025	VTVT62984	00062984	SCREW TC-CR M 4.2 X19 ZN	7,00			--
0026	MPVR40194		PLATE G 5000 GR.	1,00			--
0027	MPVR40194		PLATE G 5000 GR.	1,00			--
0028	LCPR40015		TUBE 1/4 L=370 ZC. 0°	1,00			--
0029	MPVR40195		PROTECTION P 370 MV	1,00			--
0030	MPVR40197		CAP G 5000 FIX.	1,00			--
0031	PVVR40119		CONNECTION M22X1.5 IRV G5000	1,00			--
0032	RCIN40009		GUDGEON G 1/4 F IRV G5000	1,00			--
0033	S GUVR40034		ANTI-EXTR.RING D. 10 X14	1,00			--
0034	S GUGO28927	00028927	O-RING D. 9.13 X 2.62 NBR 70SH	1,00			--
0035	MPVR40198		CAP G 5000	1,00			--



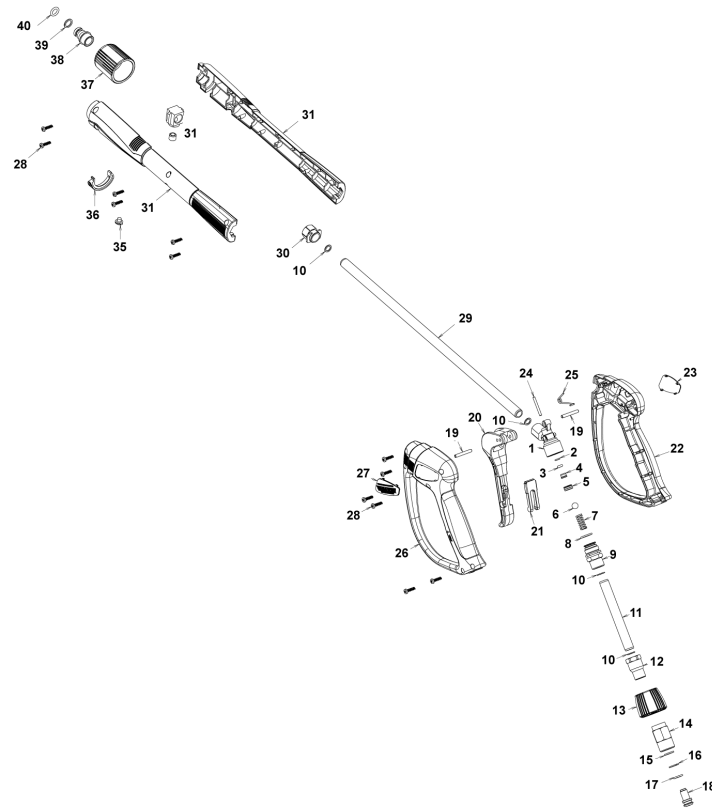
Ref. Part n.	Cust. part n.	Description	Reference	Price
KTRI40090		KIT P 26- 23 G 5000-SW	0002 0003 0004 0005 0008 0009 0010 0015 0016 0017 0033 0034 0007	--
KTRI40091		KIT P 33- 13 OR G5000-SW	0033 0034	--



Ref. K	Part n.	Customer part n.	Description	Quantity	Validity		Price
					From	To	
0001	PVVR40402		GUN BODY G5000-V/2 G1/4F	1,00			--
0002	S GUGO17952	00017952	O-RING D. 2.84 X 2.62 NBR 70SH	1,00			--
0003	S GUGO21835	00021835	O-RING D. 2.84 X 2.62 VIT. 80SH	1,00			--
0004	S VTRS40024		WASHER D. 3 X 7 X1,5 OT	1,00			--
0005	S PVVR40404		SMALL PISTON G5000-V/2	1,00			--
0006	S PVVR40112		BALL SEAT G 5000	1,00			--
0007	S SFVR06779	00006779	BALL INOX 11/32	1,00			--
0008	MLML40016		SPRING D. 9.4 x21.5x1.6 G5000	1,00			--
0009	S GUGO21841	00021841	O-RING D. 12.42 X 1.78 NBR 90SH	1,00			--
0010	PVVR40113		CAP G 5000	1,00			--
0011	PVVR40405		TUBE G 1/4" L.115	1,00			--
0012	RCIN40024		CONNECTOR SWIV G5000-V/2 1/4F	1,00			--
0013	S PVVR40406		BUSHING G5000-V/2	1,00			--
0014	S PVVR40403		RING SW. G5000-V/2	1,00			--
0015	S GUVR40081		ANTI-EXTR.RING D.9 X13.2X1.2	1,00			--
0016	S PVVR40407		SPACER G5000-V/2	1,00			--
0017	S PVVR40408		PIN G5000-V/2	1,00			--
0018	S PVVR40409		BUSHING C/GRAD. G5000-V/2	1,00			--
0019	PVVR40410		NIPPLE G5000-V/2	1,00			--
0020	PVVR40411		KNOB SWIVEL G5000-V/2	1,00			--
0021	RCIN40025		CONNECTOR SWIV G5000-V/2 M22	1,00			--
0022	S MPVR40628		TRIGGER G5000-V/2	1,00			--
0023	S VTVR40008		PLUG D. 3 G5000	1,00			--
0024	S PVVR45053	00045053	PAWL G 2100 INX	1,00			--
0025	S MPVR40629		SAFETY-DEVICE G 5000-SW	1,00			--
0026	MPVR40630		SHELL G5000-V/2 DX	1,00			--
0027	MPVR40631		PLATE G5000-V/2	1,00			--
0028	MPVR40632		SHELL G5000-V/2 SX	1,00			--
0029	MPVR40633		PLATE G5000-V/2 SX	1,00			--
0030	VTVT62984	00062984	SCREW TC-CR M 4.2 X19 ZN	7,00			--
0031	LCPR40015		TUBE 1/4 L=370 ZC. 0°	1,00			--
0032	MPVR40195		PROTECTION P 370 MV	1,00			--
0033	MPVR40198		CAP G 5000	1,00			--
0034	MPVR40197		CAP G 5000 FIX.	1,00			--
0035	PVVR40119		CONNECTION M22X1,5 IRV G5000	1,00			--
0036	RCIN40009		GUIDGEON G 1/4 F IRV G5000	1,00			--
0037	GUVR40034		ANTI-EXTR.RING D. 10 X14	1,00			--
0038	GUGO40055		O-RING D. 2.62 X 9.19 - VITON	1,00			--

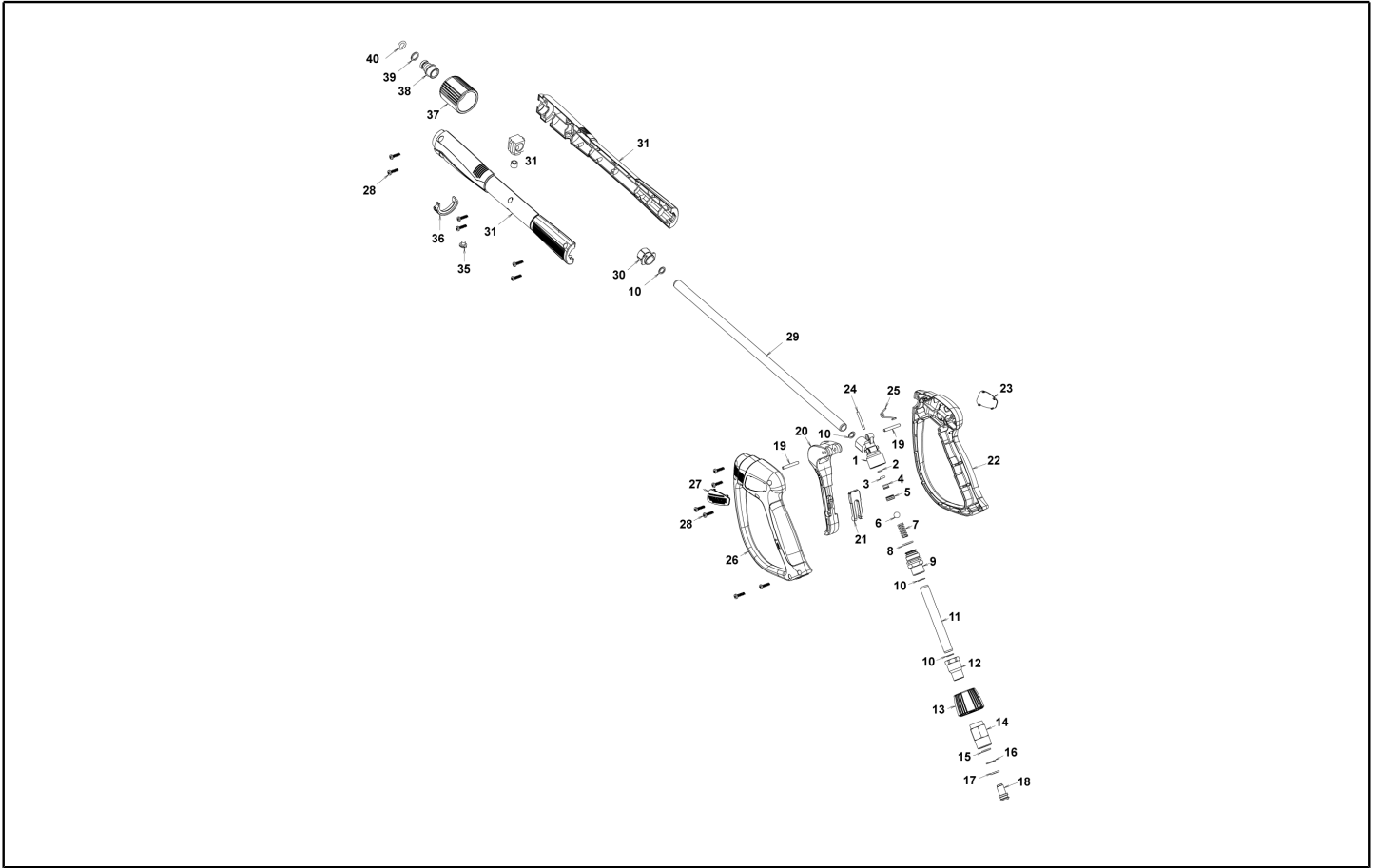


Ref. Part n.	Cust. part n.	Description	Reference	Price
KTRI40287		KIT P 26- 29 OR SEDE G5000-V/2	0002 0003 0004 0005 0006 0007 0009	--
KTRI40285		KIT P 26- 27 SWIVEL G5000-V/2	0013 0014 0015 0016 0017 0018	--
KTRI40286		KIT P 26- 28 LEVA G5000-V/2	0022 0023 0024 0025	--

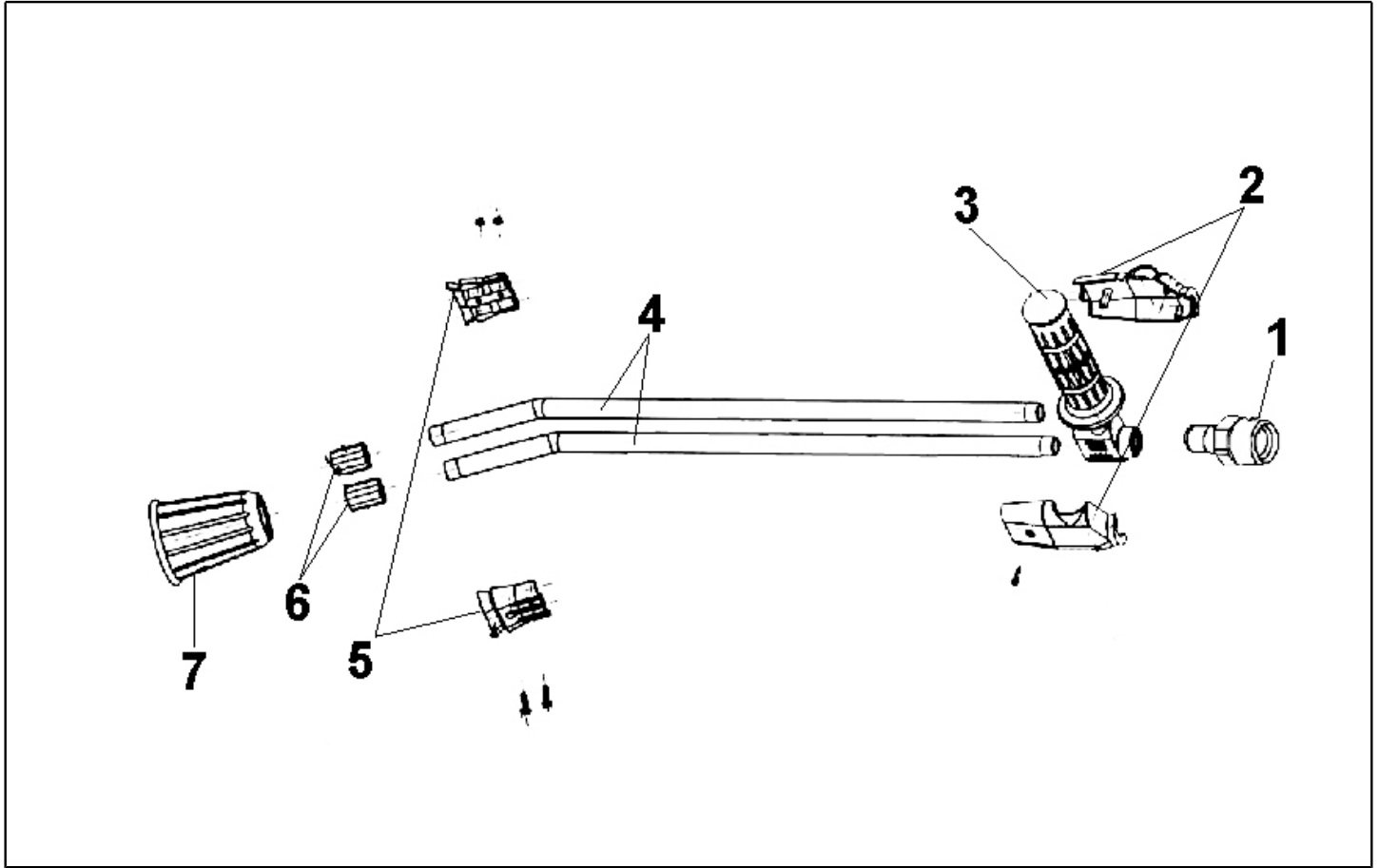


Ref. K	Part n.	Customer part n.	Description	Quantity	Validity		Price
					From	To	
0001	PVVR40381		GUN BODY G 5100 G1/4F	1,00			--
0002	S GUVR40074		ANTI-EXTR.RING D. 3 X 7.4X1.3	1,00			--
0003	S GUGO21835	00021835	O-RING D. 2.84 X 2.62 VIT. 80SH	1,00			--
0004	PVVR40382		PISTON GUIDE G 5100	1,00			--
0005	S PVVR40112		BALL SEAT G 5000	1,00			--
0006	S SFVR40002		BALL D.11/32" ALL GR16	1,00			--
0007	MLML40016		SPRING D. 9.4 x21.5x1.6 G5000	1,00			--
0008	GUGO12322	00012322	O-RING D. 14 X 1.78 NBR 90SH	1,00			--
0009	PVVR40383		CONNECTOR COLL.G5100 1/4F	1,00			--
0010	VTRS40017		WASHER D. 8.2X11,4X1.00	4,00			--
0011	PVVR40384		TUBE G 1/4" L.105	1,00			--
0012	RCIN40022		CONNECTOR SWIV G5100 1/4F	1,00			--
0013	MPVR40819		RING NUT G 5100 SW. BK.	1,00			--
0014	RCIN40021		JOINT SWIV 5100 M22	1,00			--
0015	S GUVR40075		ANTI-EXTR.RING D. 10 X14X1.5	1,00			--
0016	S GUVR40076		ANTI-EXTR.RING D. 11.2X14X1.2	1,00			--
0017	S GUGO15295	00015295	O-RING D. 10.82 X 1.78 VIT 80SH	1,00			--
0018	PVVR40386		SCREW SW. G 5100	1,00			--
0019	VTVR40047		PLUG D. 4X29	2,00			--
0020	MPVR40820		TRIGGER G 6000-SW	1,00			--
0021	MPVR40821		SAFETY-DEVICE G 6000-SW	1,00			--
0022	MPVR40822		SHELL G 6000-SW DX	1,00			--
0023	MPVR40823		PLATE G 6000 GR.DX	1,00			--
0024	PVVR40387		SMALL PISTON G 5100	1,00			--
0025	MLML40029		SPRING G 5100	1,00			--
0026	MPVR40824		SHELL G 6000-SW SX	1,00			--
0027	MPVR40825		PLATE G 6000 GR.SX	1,00			--
0028	VTVT40043		SCREW AF 4X 14 HILO ZN.N	12,00			--
0029	LCPR40086		TUBE 1/4 L=420 ZC. 0°	1,00			--
0030	MPVR40493		CONNECTOR G 5100-SW	1,00			--
0031	MPVR40494		PROTECTION P 420 C/AN.	1,00			--
0035	MPVR40198		CAP G 5000	1,00			--
0036	MPVR40495		CAP G 5100 REM.	1,00			--
0037	PVVR40119		CONNECTION M22X1,5 IRV G5000	1,00			--
0038	RCIN40009		GUDGEON G 1/4 F IRV G5000	1,00			--
0039	GUVR40034		ANTI-EXTR.RING D. 10 X14	1,00			--
0040	GUGO01946	00001946	O-RING D. 9.13 X 2.62 VIT 70SH	1,00			--

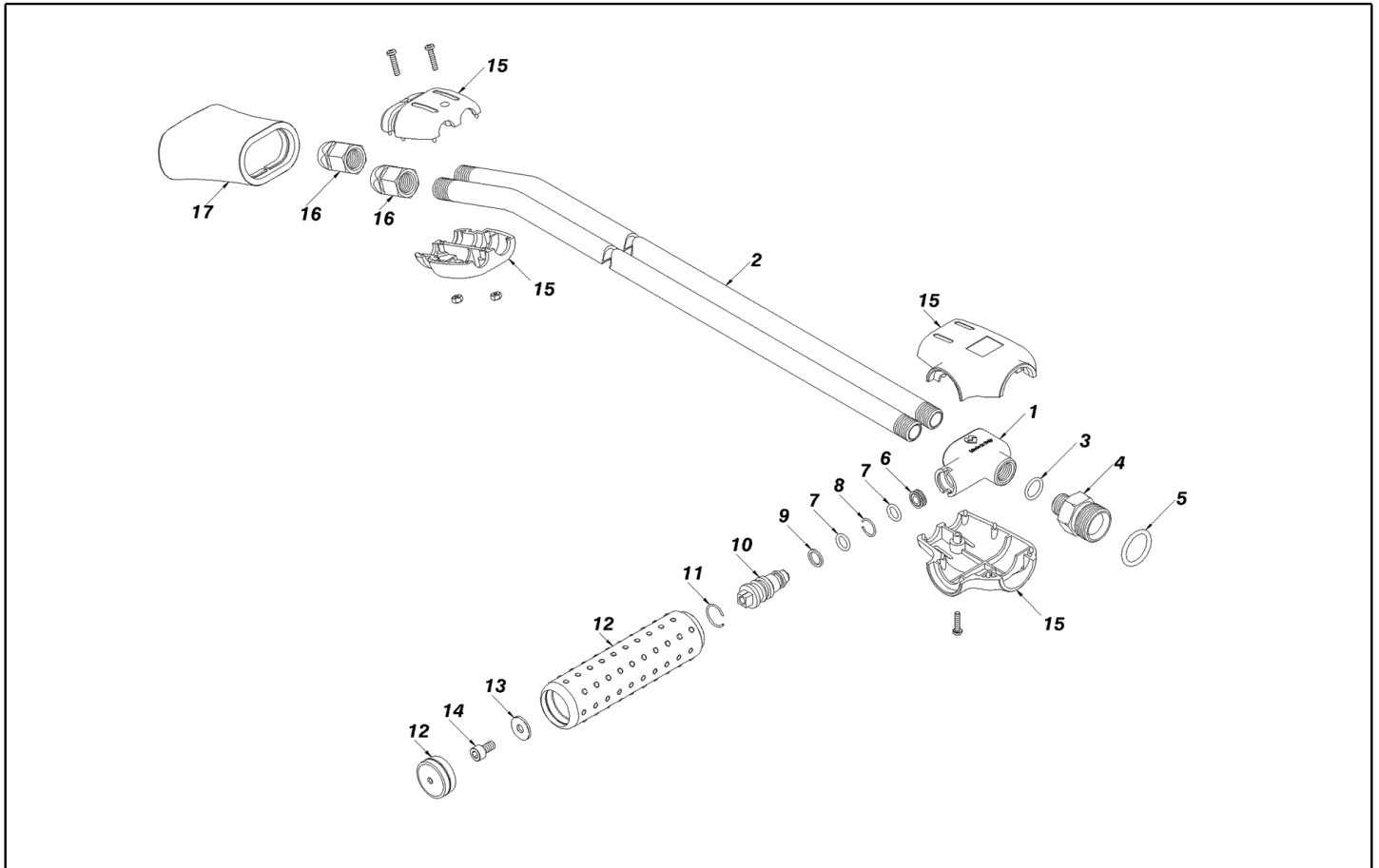




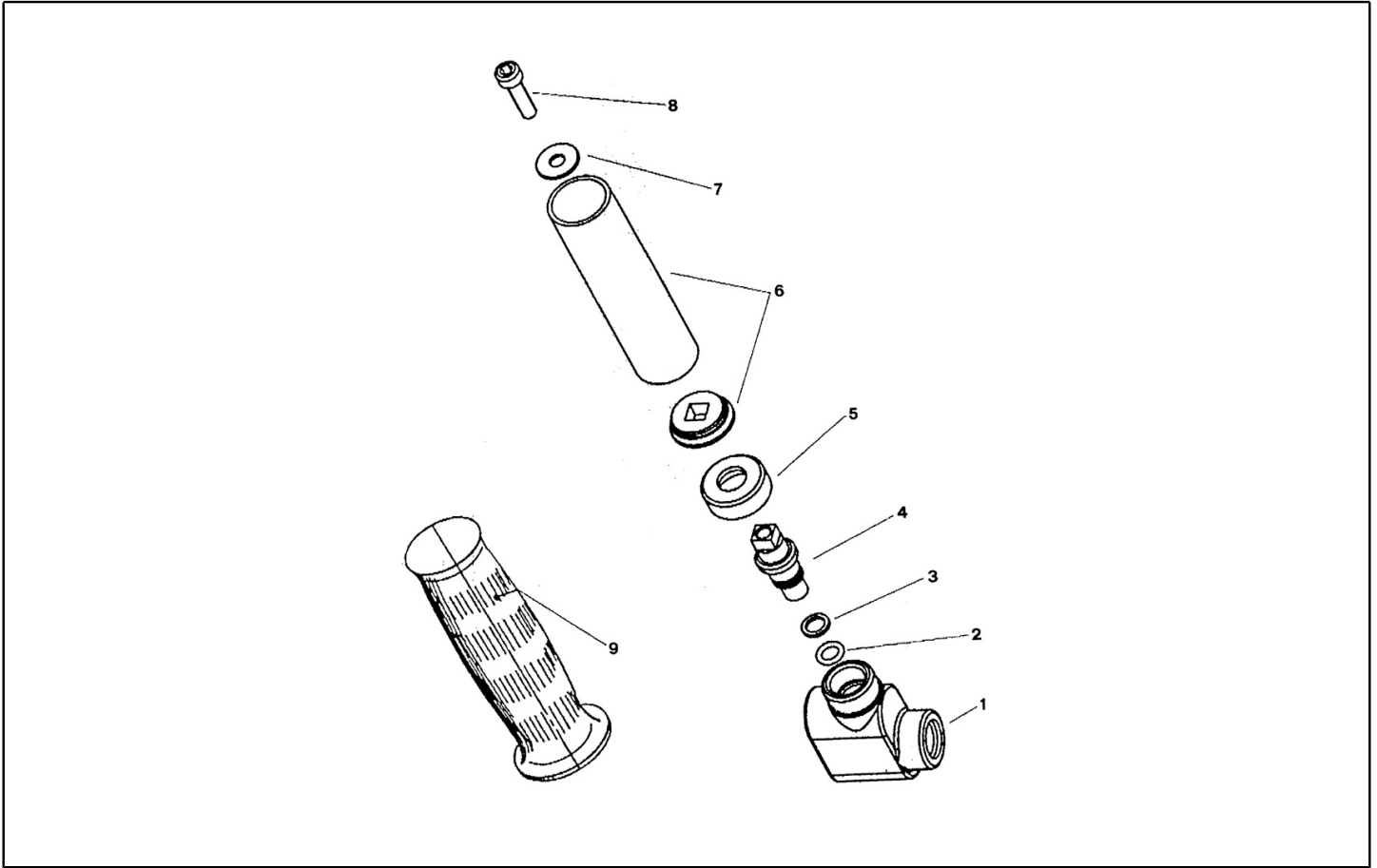
Ref. Part n.	Cust. part n.	Description	Reference	Price
KTRI40243		KIT P 26- 26 SWIVEL G 5100	0015 0016 0017	--
KTRI40414		KIT P 26- 34 G 6000	0002 0003 0005 0006	--



Ref. K	Part n.	Customer part n.	Description	Quantity	Validity		Price
					From	To	
0001	PVVR45296	00045296	COUPLING G 1/4M -M22 M +PR.PLS	1,00			--
0002	MPVR45214	00045214	PROTECTION TB.1/4 MTM	1,00			--
0003	RCGR45737	00045737	TAP 1/8 F LD MTM	1,00			--
0004	LCPR45740	00045740	TUBE 1/8 L=660 INOX MTM	2,00			--
0005	MPVR45001	00045001	SHELL LD MTM	1,00			--
0006	RCVR45741	00045741	NOZZLE HOLDER 1/4-1/8 F MTM	2,00			--
0007	PVVR43810	00043810	PROTECTION L.D. MTM	1,00			--



Ref. K	Part n.	Customer part n.	Description	Quantity	Validity		Price
					From	To	
0001	RCGR40000		TAP BODY L.DOP. 1/4" MV INX	1,00			--
0002	LCPR40000		TUBE 1/4 L=700 CROM.	2,00		30/11/2009	--
0002	LCPR40107		TUBE 1/4 L=700 INX.	2,00	01/12/2009		--
0003	GUGO19194	00019194	O-RING D. 11.11 X 1.78 NBR 70SH	1,00		30/09/2010	--
0003	VTRS04931	00004931	WASHER COPPER D.13X19X1.5	1,00	01/10/2010		--
0004	RCIN46781	00046781	MALE COUPLING MV 1/4 -M 22 M	1,00			--
0005	GUGO01056	00001056	O-RING D. 18.72 X 2.62 NBR 70SH	1,00			--
0006	PVVR40019		BUSHING MV LD	1,00			--
0007	GUGO06988	00006988	O-RING D. 7.66 X 1.78 NBR 70SH	2,00			--
0008	PVVR40020		CIRCLIP LD MV D. 8	1,00			--
0009	GUGO40002		ANTI-EXTR.RING D. 8 NBR	1,00			--
0010	PVVR40021		REGULAT. SCREW LD MV INX	1,00			--
0011	PVVR46783	00046783	CIRCLIP LD MV	1,00			--
0012	PVVR46784	00046784	KNOB LD MV +CAP	1,00			--
0013	VTRS15958	00015958	WASHER UNI 6592 5X15X1,5 ZB	1,00			--
0014	VTVT17639	00017639	SCREW TCEI M 5X10 UNI 5931	1,00			--
0015	MPVR46786	00046786	PROTECTION LD/TB MV	1,00			--
0016	RCVR46787	00046787	NOZZLE HOLDER 1/4-1/4 F MV	12,00			--
0017	PVVR46788	00046788	PROTECTION LD MV	1,00			--



Ref. K	Part n.	Customer part n.	Description	Quantity	Validity		Price
					From	To	
0001	RCGR41556	00041556	TAP BODY L.DOP. 1/8" MTM	1,00		08/03/2010	--
0001	PVVR40132		VALVE BODY L.DP 1/4F-1/8FF CP.	1,00	09/03/2010		--
0002	GUGO10330	00010330	O-RING D. 6.07 X 1.78 VIT 70SH	1,00		08/03/2010	--
0003	GUVR41551	00041551	ANTI-EXTR.RING SR 010	1,00		08/03/2010	--
0004	PVVR41553	00041553	SMALL PISTON L.DP. MTM	1,00		08/03/2010	--
0005	PVVR41555	00041555	RING NUT L.DOP. MTM	1,00		08/03/2010	--
0006	LAFN41552	00041552	PIPE D. 22 MTM	1,00			--
0007	VTRS15958	00015958	WASHER UNI 6592 5X15X1,5 ZB	1,00			--
0008	VTVT17639	00017639	SCREW TCEI M 5X10 UNI 5931	1,00			--
0009	MPVR41554	00041554	KNOB D. 22 MTM	1,00			--