

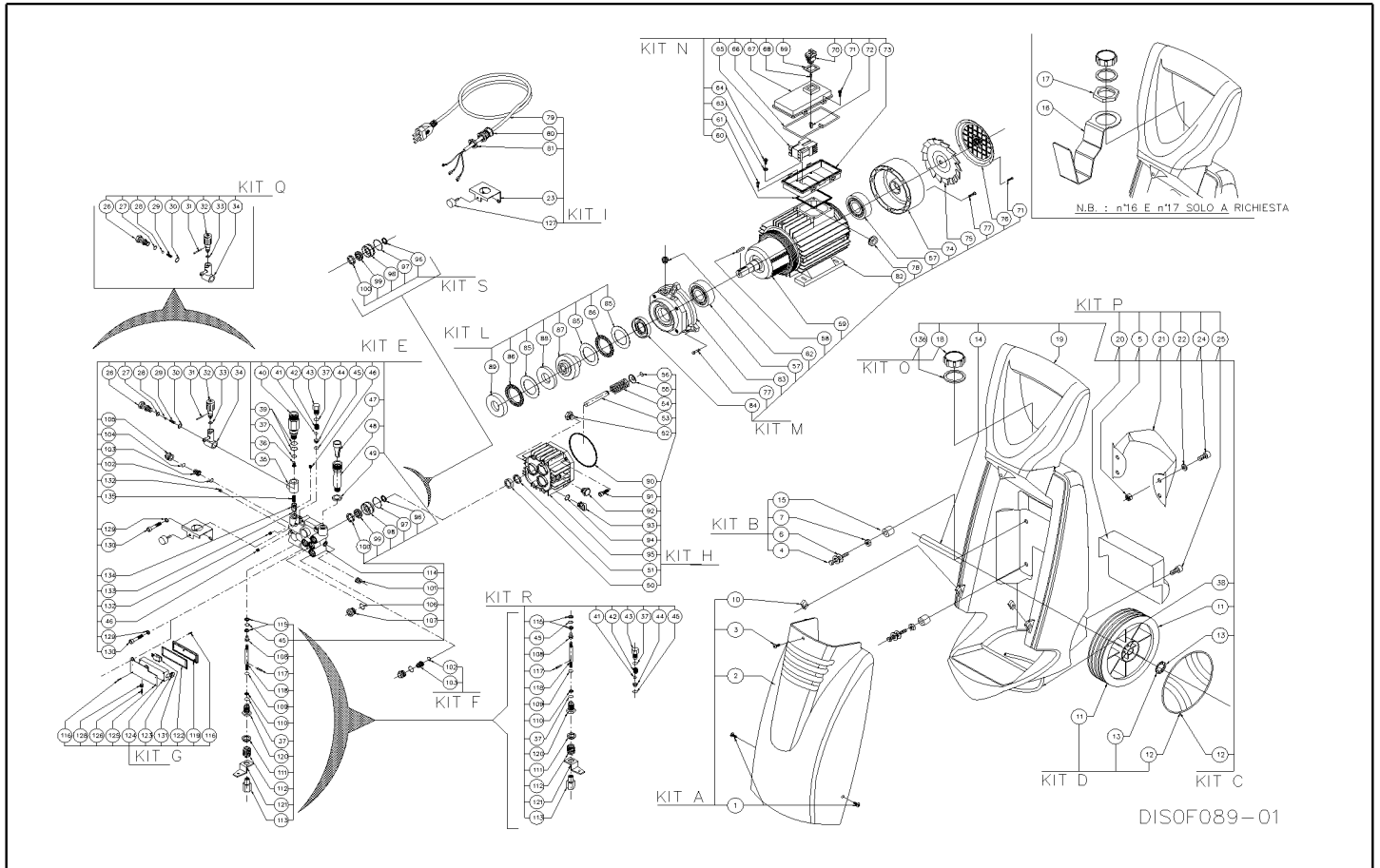


IPC

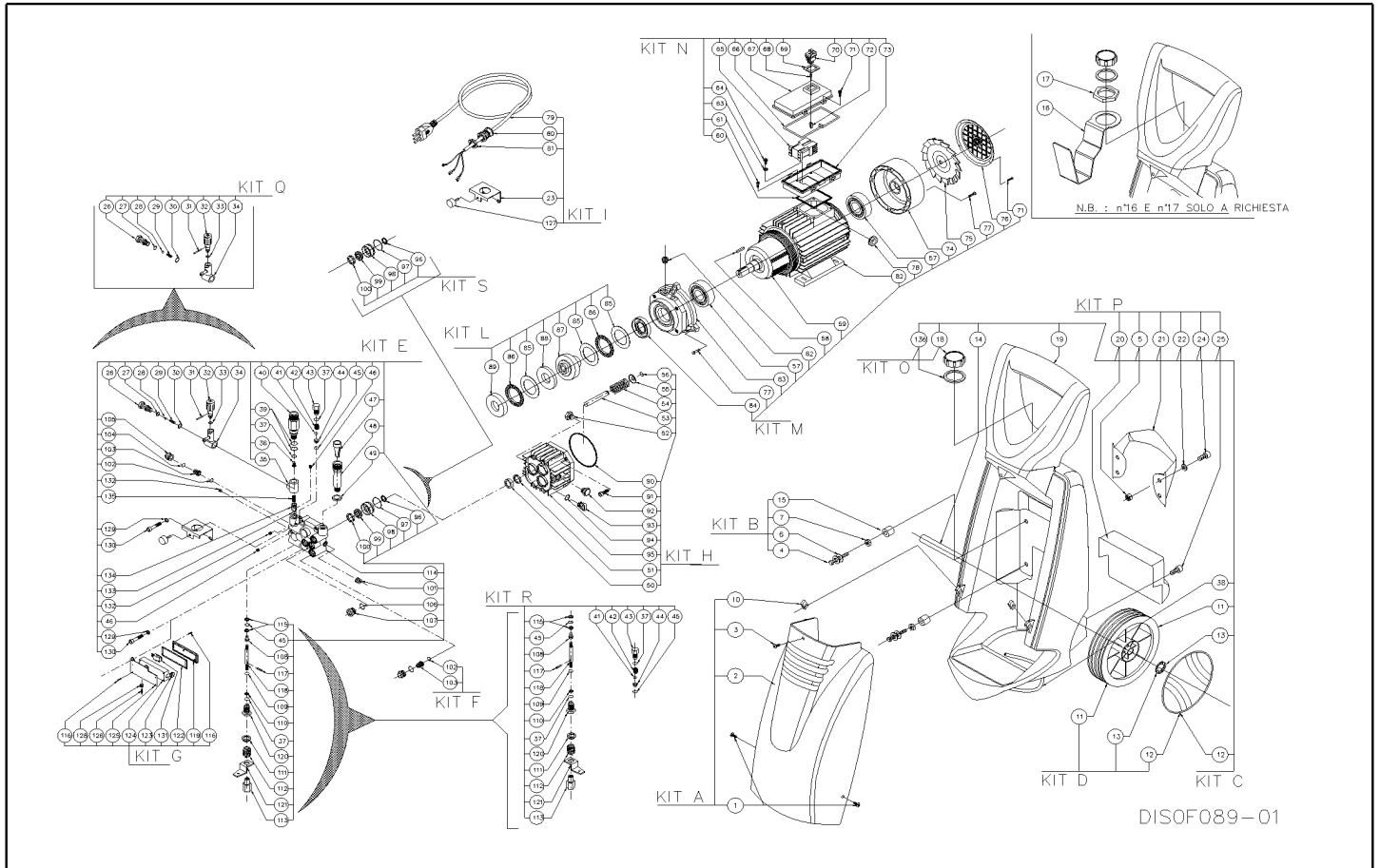
Spare parts list

Ref: IDAF54115

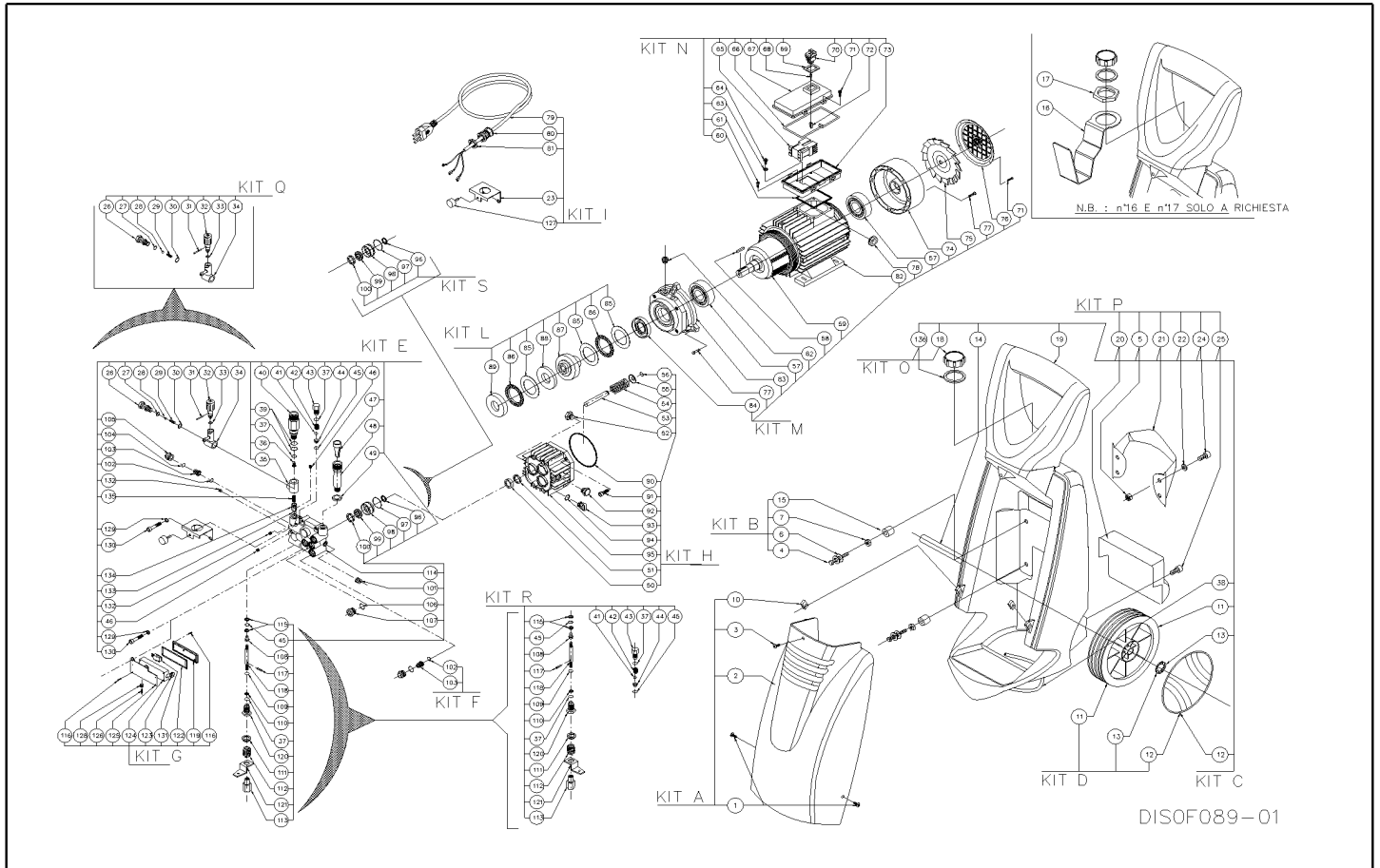
Model: H.P. CLEANER F180 T 230/50 FOM



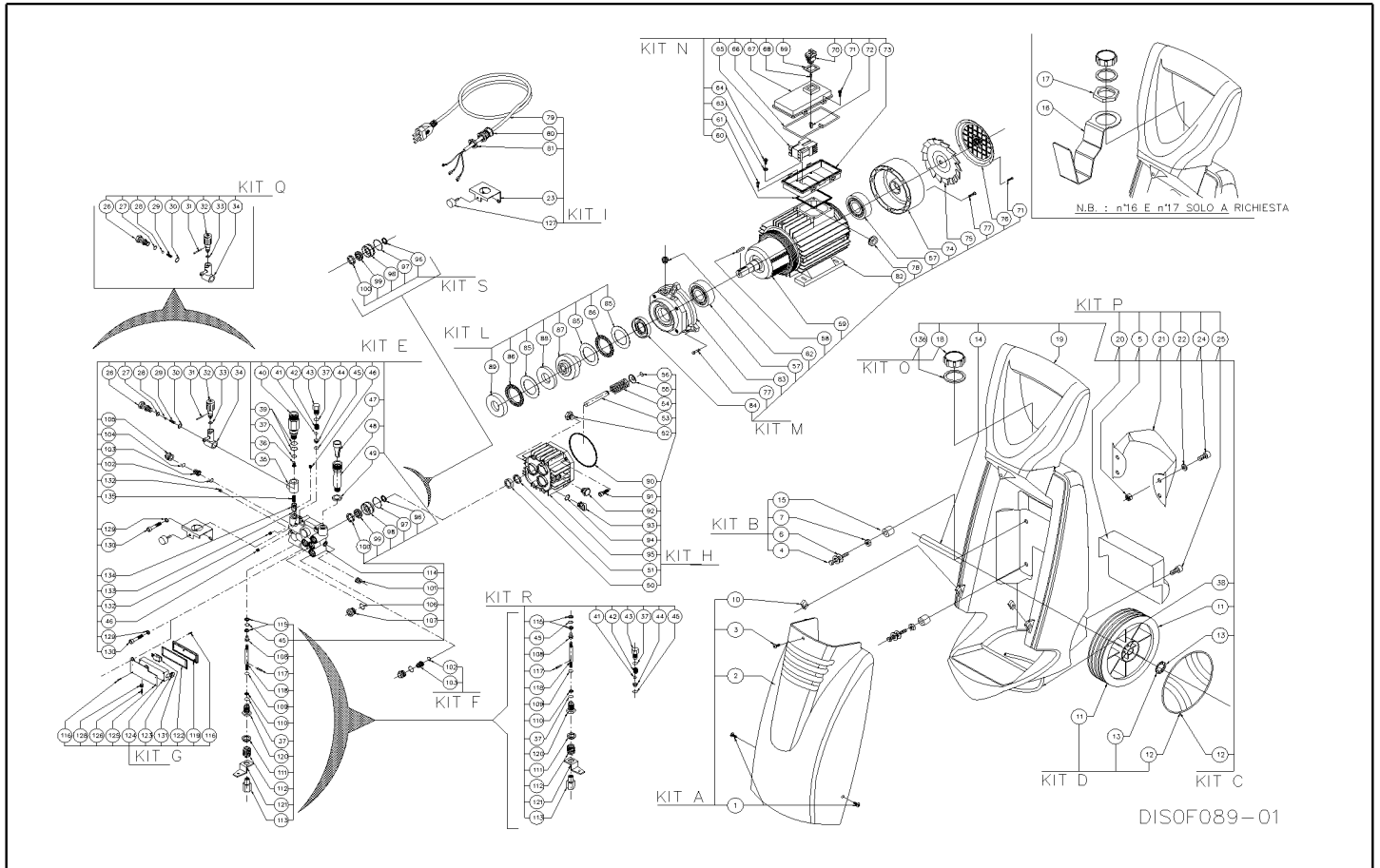
| Ref. K | Part n. | Part n. 2 | Description | Quantity | Validity | | Price |
|--------|---------|-----------|------------------------------------|----------|------------|----|-------|
| | | | | | From | To | |
| 0001 | E | VTVT63113 | SCREW TCB TC 4,8X22 C/R ZNN | 2,00 | 22/06/2001 | -- | -- |
| 0002 | E | MPVR67389 | RED COVER F150 | 1,00 | -- | -- | -- |
| 0003 | E | VTVT63143 | SCREW TSP CROCE M4X12 BRUNITA | 1,00 | 22/06/2001 | -- | -- |
| 0004 | E | VTVT17347 | SCREW TE M8X50 BRUN. UNI 5739 | 4,00 | -- | -- | -- |
| 0005 | E | VTDD63177 | NUT M 8 FLANGIATO | 6,00 | -- | -- | -- |
| 0006 | E | VTRS63243 | WASHER D. 8 X24 | 8,00 | -- | -- | -- |
| 0007 | E | VTDD00496 | NUT M 8 N.ZINC. | 4,00 | -- | -- | -- |
| 0010 | E | FSVR62795 | PLATE DI FISSAGGIO RPD0074 | 2,00 | 22/06/2001 | -- | -- |
| 0011 | E | RTRT40136 | WHEEL D.175-D.15 SPI-2 | 2,00 | -- | -- | -- |
| 0012 | E | MPVR40142 | HUB CAP D. 145 F140 | 2,00 | 01/01/1998 | -- | -- |
| 0013 | E | VTRS60945 | WASHER D.15 | 2,00 | -- | -- | -- |
| 0014 | E | LAFN40135 | WHEELS AXLE D.15 ONE F150 | 1,00 | -- | -- | -- |
| 0015 | E | MECF60282 | RUBBER D. 30 L=20.5 70SH A.VB. | 4,00 | -- | -- | -- |
| 0016 | E | LAFN58866 | CABLE SUPPORT F140 | 1,00 | -- | -- | -- |
| 0017 | E | VTDD63157 | LOCKNUT 1" GAS PL NERO | 1,00 | -- | -- | -- |
| 0018 | E | MPVR40137 | TANK CAP BOX | 1,00 | -- | -- | -- |
| 0019 | E | MPVR82932 | TANK F150 X AVV. | 1,00 | 20/11/2001 | -- | -- |
| 0020 | E | MPVR60561 | HOSE SUPPORT F 150 | 1,00 | 01/06/1998 | -- | -- |
| 0021 | E | MPVR40133 | HOSE SUPPORT ONE F140 | 1,00 | -- | -- | -- |
| 0022 | E | VTRS63196 | WASHER 8X15X1,5 BR | 2,00 | -- | -- | -- |
| 0023 | E | LAFN59052 | PLATE SUP.SKINTOP F180 | 1,00 | 01/03/2001 | -- | -- |
| 0024 | E | VTVT07947 | SCREW TCEI 8X20 UNI5931 | 2,00 | -- | -- | -- |
| 0025 | E | VTVT08937 | SCREW TCEI 6X10 | 4,00 | -- | -- | -- |
| 0026 | E | RCDS59728 | SCREW FISS.DOS.DET.OT F180 | 1,00 | -- | -- | -- |
| 0027 | E | GUGO01062 | O-RING D. 3.69 X 1.78 NBR 70SH | 1,00 | 15/07/1998 | -- | -- |
| 0028 | E | SFVR40173 | BALL D. 3/16" AISI 420 | 1,00 | -- | -- | -- |
| 0029 | E | MLML40172 | SPRING D. 3.5 h=12 | 1,00 | -- | -- | -- |
| 0030 | E | GUGO06988 | O-RING D. 7.66 X 1.78 NBR 70SH | 1,00 | -- | -- | -- |
| 0031 | E | VTVR63370 | ELASTIC PLUG M 2X8 | 1,00 | -- | -- | -- |
| 0032 | E | MPVR60209 | KNOB REGOL.DET. | 1,00 | -- | -- | -- |
| 0033 | E | GUGO63486 | O-RING D. 4 X 2 -NBR 90SH | 1,00 | -- | -- | -- |
| 0034 | E | MPVR60371 | METERING. BODY DET.SACHS D.-HOBBY | 1,00 | 15/04/1998 | -- | -- |
| 0035 | E | PVVR59509 | METERING. BODY DET.OT F180 | 1,00 | -- | -- | -- |
| 0036 | E | UGEI60742 | NOZZLE D.2.0 | 1,00 | -- | -- | -- |
| 0037 | E | GUGO19194 | O-RING D. 11.11 X 1.78 NBR 70SH | 3,00 | -- | -- | -- |
| 0038 | E | TBBP61403 | FUEL HOSE 5X9 | 0,25 | -- | -- | -- |
| 0039 | E | GUGO09720 | O-RING D. 14 X 1.78 NBR 70SH | 2,00 | -- | -- | -- |
| 0040 | E | RCDS59651 | CONNECTOR MAND.X INIET.DET.OT F180 | 1,00 | -- | -- | -- |
| 0041 | E | SFVR53316 | BALL 5/16 AISI 440 TEMPRATA | 1,00 | -- | -- | -- |
| 0042 | E | MLML41638 | SPRING D. 7.5 HBY | 1,00 | -- | -- | -- |
| 0043 | E | PVVR41639 | CAP AX 100 | 1,00 | -- | -- | -- |
| 0044 | E | PVVR41640 | VALVE SEAT F 180 | 1,00 | -- | -- | -- |
| 0045 | E | GUGO63403 | O-RING D. 8.73 X 1.78 NBR 70SH | 2,00 | -- | -- | -- |
| 0046 | E | VTVT63066 | SCREW STEI M 5X6 CONICO ZN | 2,00 | -- | -- | -- |



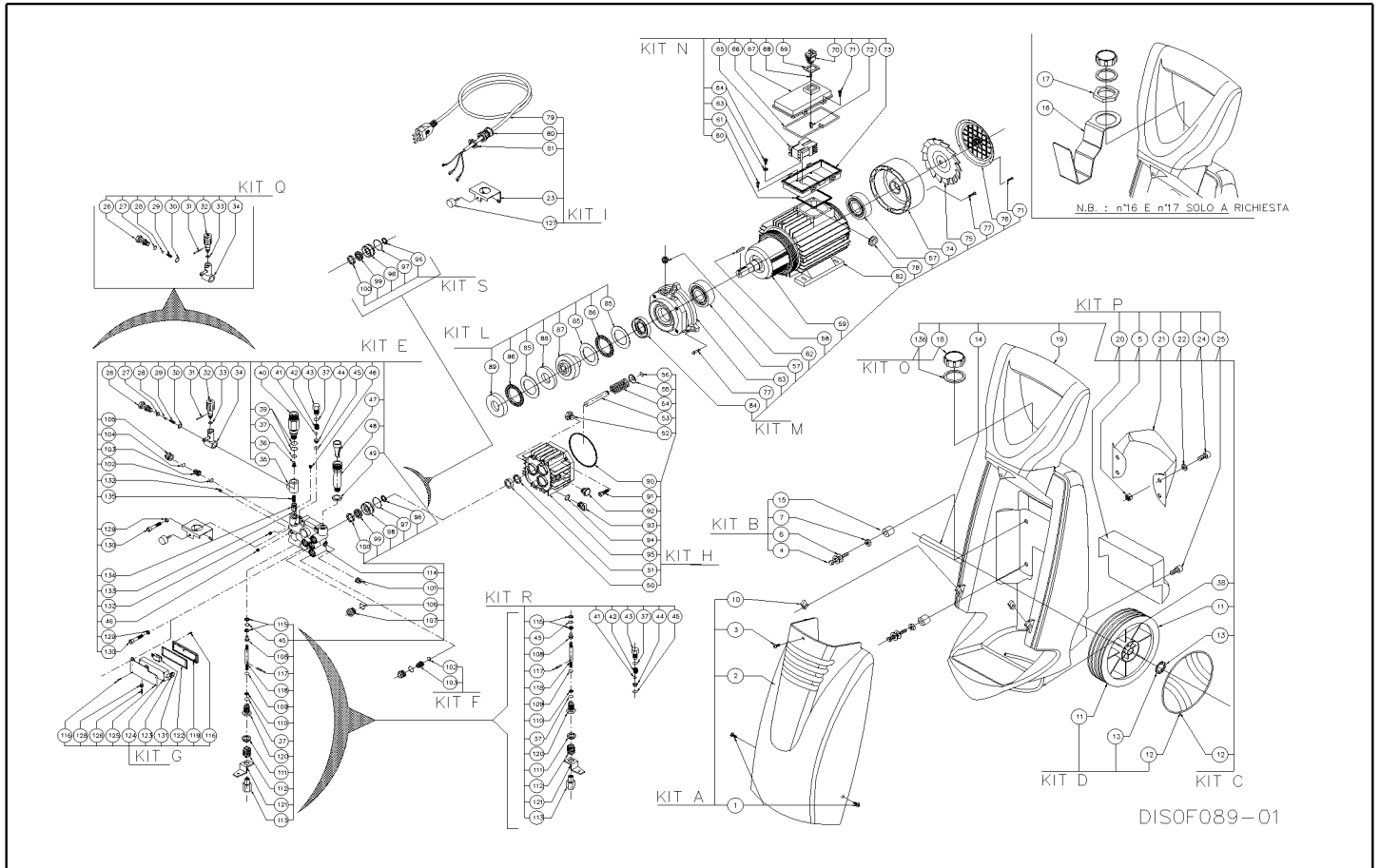
| Ref. K | Part n. | Part n. 2 | Description | Quantity | Validity | | Price |
|--------|---------|-----------|--|----------|------------|------------|-------|
| | | | | | From | To | |
| 0047 | E | FTDT60702 | WATER FILTER H94 IP | 1,00 | | | -- |
| 0048 | E | RCDS41641 | NIPPLE G3/4 F180 | 1,00 | | | -- |
| 0049 | E | VTRS63218 | WASHER ALL.18X22X1,5 | 1,00 | | | -- |
| 0050 | E | PVVR41642 | INTERMED. RING D. 18X24 | 3,00 | 01/03/1998 | | -- |
| 0051 | E | GUVR41643 | PACKING D. 15 HBY | 3,00 | 23/03/1999 | | -- |
| 0052 | E | PVVR41644 | CAP 3/8 M OIL | 1,00 | 23/03/1999 | | -- |
| 0053 | E | PIVR58626 | PISTON D.15 FLM. AC/CE | 3,00 | 23/03/1999 | | -- |
| 0054 | E | MLML41646 | SPRING D. 25 X44 F 180 | 3,00 | 23/03/1999 | | -- |
| 0055 | E | PVVR41647 | SPRING PLATE D. 15X31 | 3,00 | 23/03/1999 | | -- |
| 0056 | E | VTAE63292 | CIRCLIP RW14 UNI 7433 | 3,00 | 23/03/1999 | | -- |
| 0057 | E | CUVR15981 | BALL BEARING 6205 2RS1 | 2,00 | | | -- |
| 0058 | E | VTVR62773 | KEY 4,75X4,75X30 B U6604 | 1,00 | | | -- |
| 0059 | E | MORT41649 | EL.MOT. ROTOR 5 HP T 2P 50HZ | 1,00 | | | -- |
| 0060 | E | GUGO41631 | GASKET GR 80 -MEC 80/112 | 1,00 | | | -- |
| 0061 | E | VTVT09682 | SCREW TPS-TC 5X12 UNI7688 | 4,00 | 16/05/2000 | | -- |
| 0062 | E | MPVR60051 | OIL DIPSTICK NERO PL | 1,00 | | | -- |
| 0063 | E | VTRS63310 | WASHER D. 4 | 2,00 | | | -- |
| 0064 | E | VTVT14839 | SCREW M 4X 6 TCB TC DIN 7985 | 1,00 | | | -- |
| 0065 | E | METT61682 | CONTACTOR CGE CL 03A 300T6 220/230V | 1,00 | | | -- |
| 0066 | E | GUVR82555 | JOINT D. 4 | 0,60 | 21/09/2001 | | -- |
| 0067 | E | MPVR41651 | BOX COVER F 180 | 1,00 | | | -- |
| 0068 | E | MEVR21406 | WIRE TERMINAL NYL FASTOM F.BLU 6.35X0.8 | 2,00 | | | -- |
| 0069 | E | GUGO40147 | GASKET SLX FP | 1,00 | 01/03/1998 | 12/06/2003 | -- |
| 0070 | E | MECI61586 | SWITCH SLX 16A O-I A44 | 1,00 | 08/03/1999 | | -- |
| 0071 | E | VTVT62983 | SCREW ATF TC CROCE M3,9X19 BRU | 4,00 | | | -- |
| 0072 | E | MEVR61916 | FASTON COVER F 6,3 UL | 2,00 | | | -- |
| 0073 | E | MPVR41652 | CONTROL BOX F 180 | 1,00 | | | -- |
| 0074 | E | MFVR41627 | SHIELD HP 3 H90 | 1,00 | | | -- |
| 0075 | E | VEVR41628 | MOTOR FAN H90 FP | 1,00 | | | -- |
| 0076 | E | MPVR41629 | PROTECTION H.90 FP | 1,00 | | | -- |
| 0077 | E | VTVT62921 | SCREW TE M 6X 25 F/RD.ZN | 8,00 | | | -- |
| 0078 | E | MPVR60519 | FAIR-LEAD 20/28 H11/S4 | 3,00 | | | -- |
| 0079 | E | MECB64233 | CABLE H07 RNF 4X1.5 L=5.500 | 1,00 | | | -- |
| 0080 | E | MEVR61879 | FAIR-LEAD PG 13.5 SP. | 1,00 | | | -- |
| 0081 | E | MEVR61833 | LOCKNUT NYL PG 13.5 BK. | 1,00 | | | -- |
| 0082 | E | MOST50341 | EL.MOT. STATOR CPL 135X 70 H130 400/50 W | 1,00 | | | -- |
| 0082 | E | MOST50343 | EL.MOT. STATOR CPL 135X70H130 415/50W | 1,00 | | | -- |
| 0083 | E | MFVR41665 | SHIELD ANTERIORE AQUA 1100 | 1,00 | | | -- |
| 0084 | E | GUGO41622 | OIL SEAL 24X 40X 7-L.CM -NBR70 | 1,00 | 28/11/2000 | | -- |
| 0085 | E | CUVR41656 | FLANGE D. 45X65-1 AS4565 | 3,00 | 15/01/1998 | | -- |
| 0086 | E | CUVR41657 | ROLLER BEARING AXK 4565 | 2,00 | 15/01/1998 | | -- |
| 0087 | E | MFVR58184 | CAP MTPV 10°S2 | 1,00 | | | -- |
| 0087 | E | PVVR41658 | CAP MTPV 10°3 | 1,00 | | | -- |
| 0088 | E | CUVR41659 | FLANGE D.64.5 H.5 | 1,00 | 15/01/1998 | | -- |



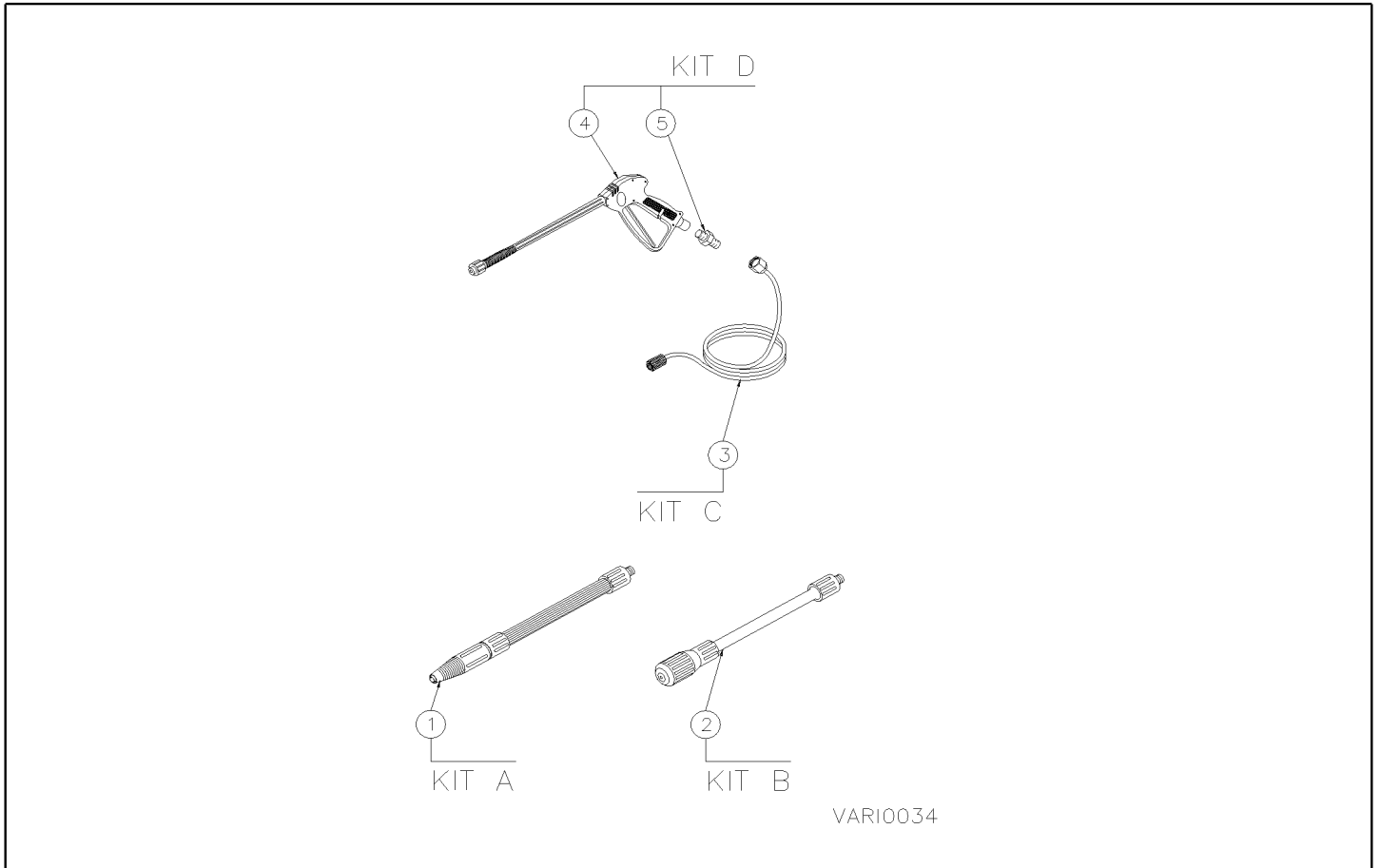
| Ref. K | Part n. | Part n. 2 | Description | Quantity | Validity | | Price |
|--------|---------|-----------|-------------------------------------|----------|------------|----|-------|
| | | | | | From | To | |
| 0089 | E | CUVR41605 | FLANGE D.64.5 HBY | 1,00 | 15/01/1998 | -- | -- |
| 0090 | E | GUGO41660 | O-RING D. 94.92 X 2.62 NBR 70SH | 1,00 | | -- | -- |
| 0091 | E | VTVT63041 | SCREW TCEI M 8X25 F/RD. | 4,00 | 15/07/1997 | -- | -- |
| 0092 | E | PVVR41661 | CAP 3/8 M OIL+M | 1,00 | 23/03/1999 | -- | -- |
| 0093 | E | PVVR60866 | OIL DIPSTICK IP | 1,00 | 23/03/1999 | -- | -- |
| 0094 | E | GUGO41606 | O-RING D. 13 X 3 NBR 70SH | 1,00 | 23/03/1999 | -- | -- |
| 0095 | E | MFVR57586 | PUMP CRANKCASE HBY 15 1/4 M10 LAV. | 1,00 | 23/03/1999 | -- | -- |
| 0096 | E | GUGO63410 | O-RING D. 15.08 X 2.62 -NBR 90SH | 3,00 | | -- | -- |
| 0097 | E | GUGO18855 | O-RING D. 26.70 X 1.78 NBR 70SH | 3,00 | | -- | -- |
| 0098 | E | PVVR41663 | PACKING RETAIN. D. 15 AX/10 | 3,00 | | -- | -- |
| 0099 | E | GUVR41664 | PACKING D. 15 VA | 3,00 | | -- | -- |
| 0100 | E | PVVR09327 | HEAD RING D. 15 | 3,00 | | -- | -- |
| 0101 | E | VTVT63064 | SCREW STEI G 1/4 X10 ZC. | 1,00 | | -- | -- |
| 0102 | E | GUGO41446 | O-RING D. 12 X 2 NBR 70SH | 6,00 | 15/07/1998 | -- | -- |
| 0103 | E | VVAM41447 | VALVE UNIT F 180 INX | 6,00 | 28/09/2000 | -- | -- |
| 0104 | E | GUGO40192 | O-RING D. 12 X 2 NBR 90SH | 6,00 | 15/07/1998 | -- | -- |
| 0105 | E | PVVR41666 | CAP M 18X1.33 AX 100 | 6,00 | 15/07/1998 | -- | -- |
| 0106 | E | GUGO03505 | O-RING D. 15.6 X 1.78 NBR 70SH | 1,00 | | -- | -- |
| 0107 | E | PVVR41667 | CAP F 180 | 1,00 | | -- | -- |
| 0108 | E | PVVR41668 | CONTROL PISTON BP F180 | 1,00 | | -- | -- |
| 0109 | E | GUGO12489 | O-RING D. 6.07 X 1.78 NBR 70SH | 1,00 | | -- | -- |
| 0110 | E | GUVR63568 | ANTI-EXTR.RING D.6X9X1,5 TEF+BZ | 1,00 | | -- | -- |
| 0111 | E | PVVR41670 | SPACER B.PASS 24 | 1,00 | | -- | -- |
| 0112 | E | MLML41671 | SPRING 180 B. | 1,00 | | -- | -- |
| 0113 | E | PVVR41672 | REGULAT. SCREW F 180 | 1,00 | | -- | -- |
| 0114 | E | MFVR59409 | PUMP HEAD AX100 D.10 CE | 1,00 | | -- | -- |
| 0115 | E | GUVR15203 | ANTI-EXTR.RING D.12 X 9 X1.5 TEF+BZ | 2,00 | 28/09/2000 | -- | -- |
| 0116 | E | VTVT62945 | SCREW ATF UNI 7981 2.2X10ZN S/P | 9,00 | | -- | -- |
| 0117 | E | VTVR81141 | PLUG D. 2X22 UNI 1707 INX | 1,00 | 15/05/2000 | -- | -- |
| 0118 | E | PVVR41674 | PIN B.PASS F 180 | 1,00 | | -- | -- |
| 0119 | E | MPVR40209 | COVER S.T-STOP S/2 | 1,00 | | -- | -- |
| 0120 | E | PVVR41675 | CAP BP F 180 | 1,00 | | -- | -- |
| 0121 | E | LAFN41676 | PLATE SIST.T-STOP A/110 | 1,00 | | -- | -- |
| 0122 | E | GUVR40208 | GASKET T-ST. S/2 | 1,00 | | -- | -- |
| 0123 | E | MPVR40207 | FAIR-LEAD COND.D.5.5 55 SHORE | 1,00 | | -- | -- |
| 0124 | E | MPVR82746 | SHELL T-STOP F140/150 S2 | 1,00 | 31/07/2001 | -- | -- |
| 0125 | E | LAFN41677 | BRACKET SIST.T-STOP A/110 | 1,00 | | -- | -- |
| 0126 | E | VTVR41678 | REGULAT. SCREW S.T-STOP A110 | 1,00 | 15/03/1998 | -- | -- |
| 0127 | E | MPVR60554 | FOOT D.20 H.90 | 1,00 | | -- | -- |
| 0128 | E | MPVR41620 | PROTECTOR S.T-STOP FP | 1,00 | 19/05/1999 | -- | -- |
| 0129 | E | VTRS63313 | WASHER SCHNORR M10 ZN | 4,00 | | -- | -- |
| 0130 | E | VTVT63019 | SCREW TCEI M10X35 12.9 BRUN | 4,00 | | -- | -- |
| 0131 | E | MECI80639 | MICROSWITCH 20A F.S/L | 1,00 | | -- | -- |
| 0132 | E | VTVT63071 | SCREW M 6X 8 ST-EI UNI 7707 | 2,00 | | -- | -- |



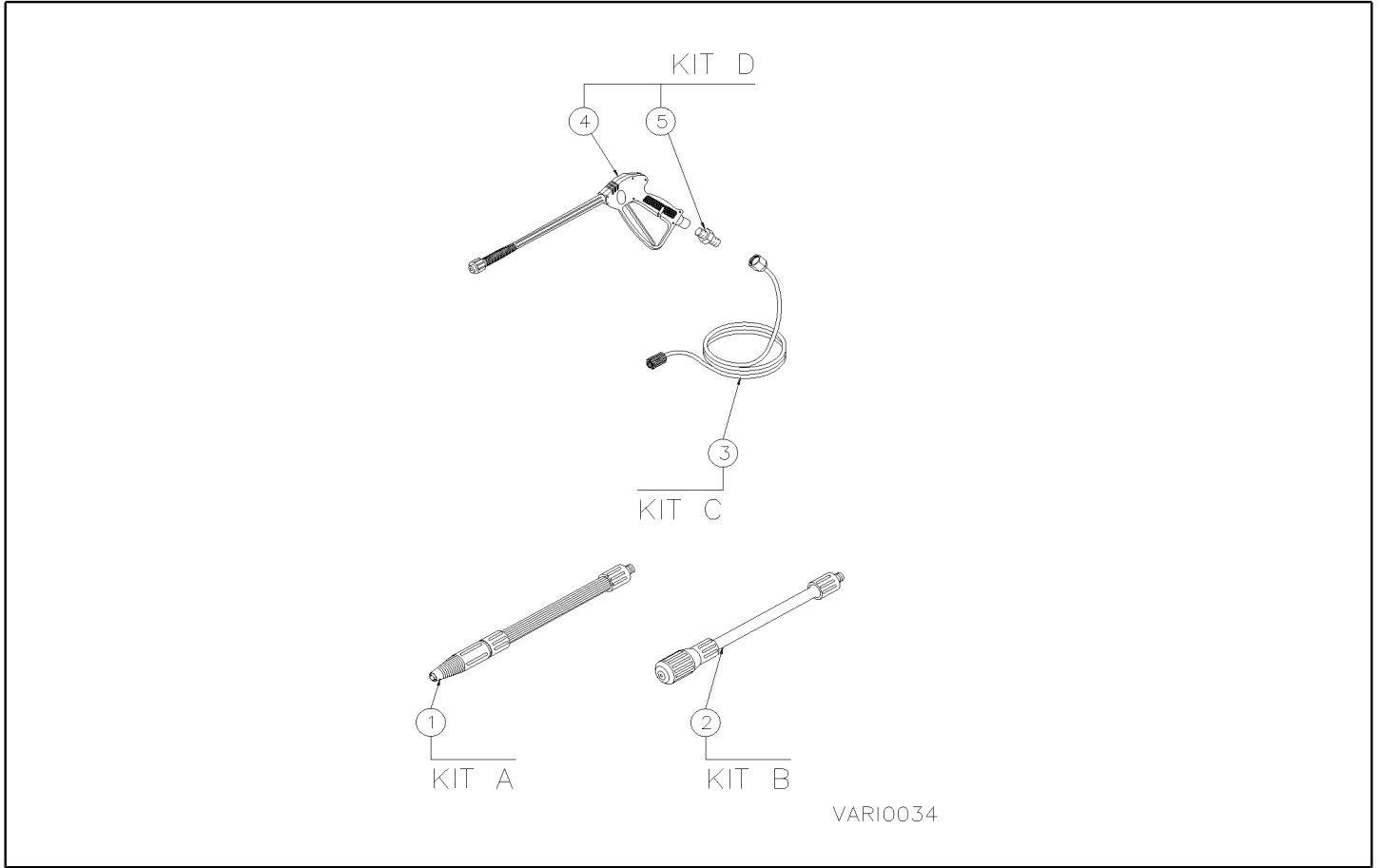
| Ref. K | Part n. | Part n. 2 | Description | Quantity | Validity | | Price |
|--------|---------|-----------|---------------------------------|----------|----------|----|-------|
| | | | | | From | To | |
| 0133 | E | GUGO40181 | O-RING D. 5 X 2 NBR 90SH | 1,00 | | | -- |
| 0134 | E | VVSF41680 | VALVE F 180 | 1,00 | | | -- |
| 0135 | E | MLML41681 | SPRING D. 5.3 X21 F.0,65 V.N.RT | 1,00 | | | -- |
| 0136 | E | GUVR82165 | GASKET X SERBATOIO SERIE "F" | 1,00 | | | -- |



| Ref. Part n. | Part n. 2 | Description | Reference | Price |
|--------------|-----------|---|---|-------|
| K A | KTRI83760 | RED COVER KIT 754 F150 (1PZ) | 0001 0002 0003 0010 | -- |
| K B | KTRI83900 | VIBRATION DAMP. KIT 806 MOT. F180 (4PZ) | 0004 0006 0007 0015 | -- |
| K C | KTRI83731 | CHASSIS KIT 732 F140 (1PZ) | 0005 0011 0012 0013 0014 0018 0019 0020 0021 0022 0024 0025 0038 0136 | -- |
| K D | KTRI83732 | WHEEL KIT 733 F140 (2PZ) | 0011 0012 0013 | -- |
| K E | KTRI83901 | HEAD KIT 807 F180 AX (1PZ) | 0026 0027 0028 0029 0030 0031 0032 0033 0034 0037 0040 0041 0042 0043 0044 0045 0046 0047 0048 0049 0096 0097 0098 0099 0100 0101 0102 0103 0104 0105 0106 0107 0108 0109 0110 0111 0112 0113 0114 0115 0117 0118 0120 0121 0129 0130 0132 0133 0134 0135 | -- |
| K F | KTRI64504 | KIT F 15- 11 F180 (6PZ) | 0102 0103 | -- |
| K G | KTRI64807 | AUTOMATIC TSTOP KIT 389 A1100 -F180 (1PZ) | 0116 0119 0122 0123 0124 0125 0126 0128 0131 | -- |
| K H | KTRI83903 | CRANKCASE KIT 809 F180 (1PZ) | 0050 0051 0052 0053 0054 0055 0056 0090 0091 0092 0093 0094 0095 | -- |
| K I | KTRI83904 | CABLE KIT 810 F180 EU (1PZ) | 0023 0079 0080 0081 0127 | -- |
| K L | KTRI83905 | ROLLER BEAR.DIS KIT 811 F180 (1 PZ) | 0085 0086 0087 0087 0088 0089 | -- |
| K M | KTRI83906 | MOTOR KIT 812 .F180 (1PZ) | 0057 0058 0059 0062 0071 0074 0075 0076 0077 0078 0082 0082 0083 0084 | -- |
| K N | KTRI83920 | CONTROL BOARD KIT 814 F180 3X230 (2PZ) | 0060 0061 0063 0064 0065 0066 0067 0068 0069 0070 0071 0072 0073 | -- |
| K O | KTRI83742 | TANK CAP KIT 743 F140 (10 PZ) | 0018 0136 | -- |
| K P | KTRI83743 | TOOL HOLDER KIT 744 F140 (1 PZ) | 0005 0020 0021 0022 0024 0025 | -- |
| K Q | KTRI64898 | KIT 473 REG.ASP/DET (1PZ) | 0026 0027 0028 0029 0030 0031 0032 0033 0034 | -- |
| K R | KTRI64813 | KIT 394 BY-PASS A1100 (1PZ) | 0037 0041 0042 0043 0044 0045 0108 0109 0110 0111 0112 0113 0115 0117 0118 0120 0121 | -- |
| K S | KTRI64526 | BUSHING KIT 127 F180 (3PZ) | 0096 0097 0098 0099 0100 | -- |



| Ref. K | Part n. | Part n. 2 | Description | Quantity | Validity | | Price |
|--------|---------|-----------|-------------------------------------|----------|----------|----|-------|
| | | | | | From | To | |
| 0001 | E | LCPR52614 | LANCE T10P D.1,5 M22X1,5 L=255 | 1,00 | | | -- |
| 0003 | E | TBAP53011 | H.P. HOSE 1/4 210B 10MT 3/8F+GH.LUN | 1,00 | | | -- |
| 0004 | E | IPPR52939 | GUN AL9 C/PROL.FUSA M22 | 1,00 | | | -- |
| 0005 | E | RCDS62596 | NIPPLE 3/8 - 3/8 CN./CL.SV | 1,00 | | | -- |



| Ref. Part n. | Part n. 2 | Description | Reference | Price |
|--------------|-----------|--------------------------------|-----------|-------|
| K A | KTRI83921 | LANCE KIT 815 T-10P 1,5 (1 PZ) | 0001 | -- |
| K C | KTRI83922 | TUBE KIT 816 GM 10MT (1 PZ) | 0003 | -- |
| K D | KTRI83638 | GUN KIT 713 AL-9 (1 PZ) | 0004 0005 | -- |