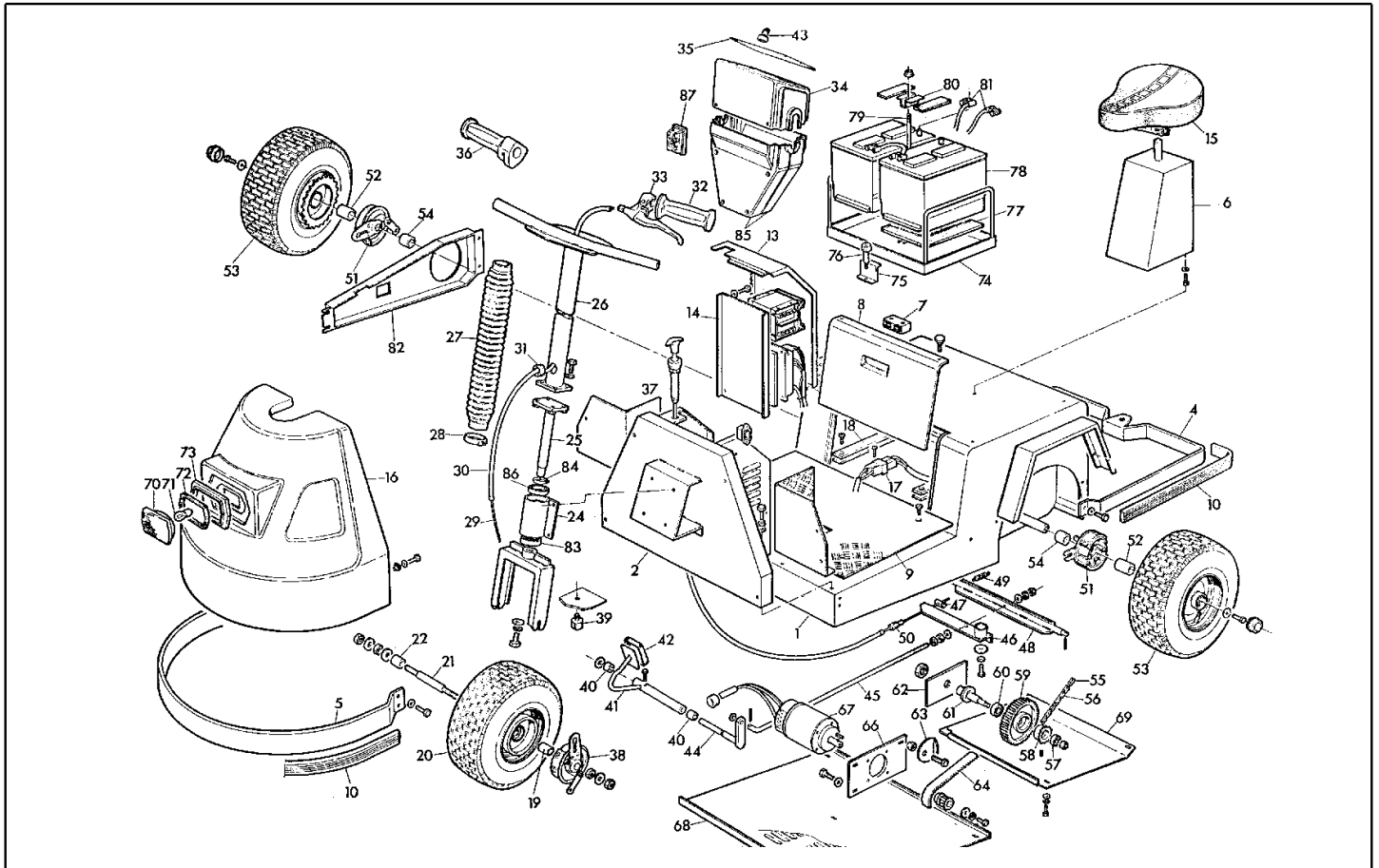


IPC

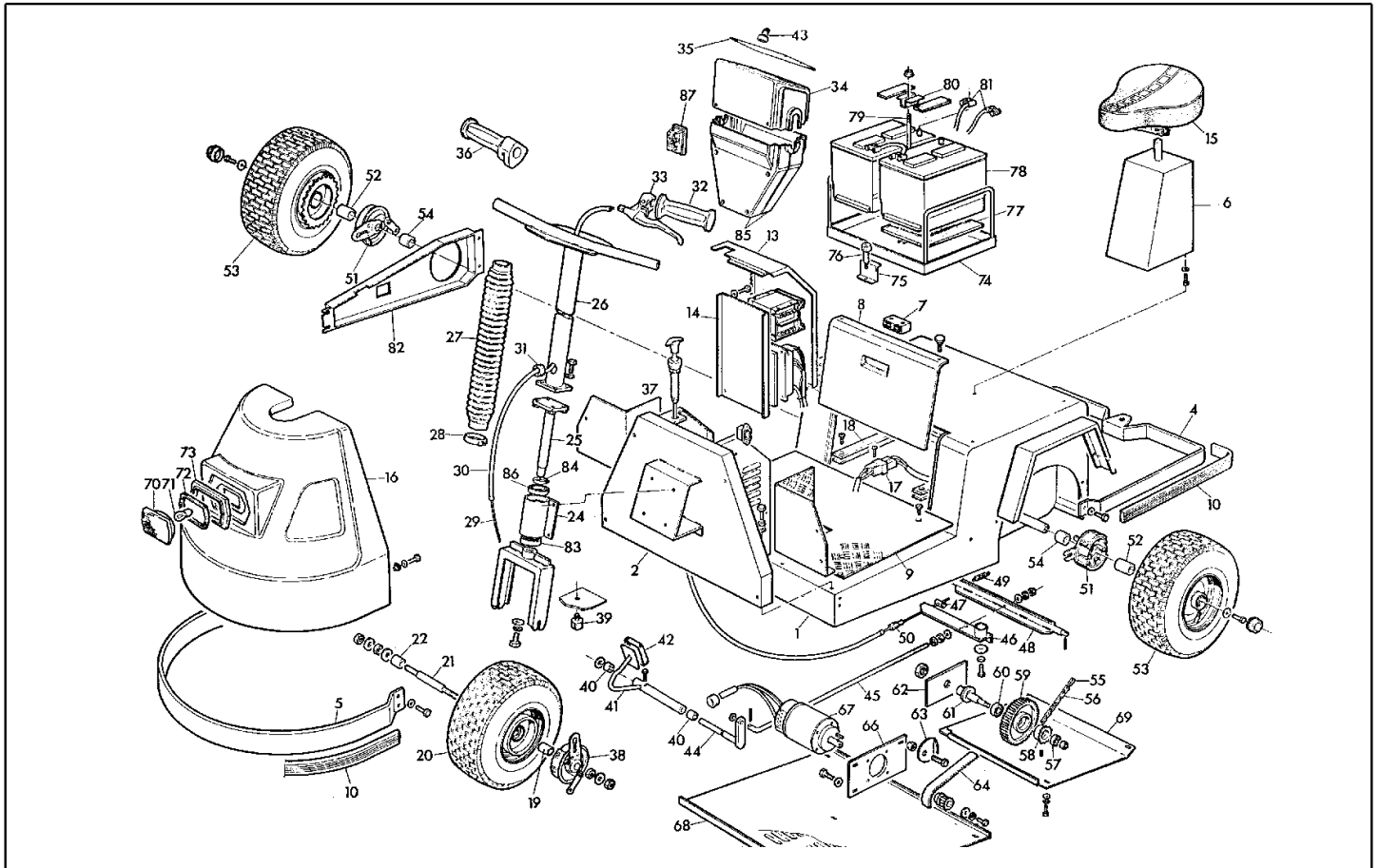
Spare parts list

Ref: ELVC42022

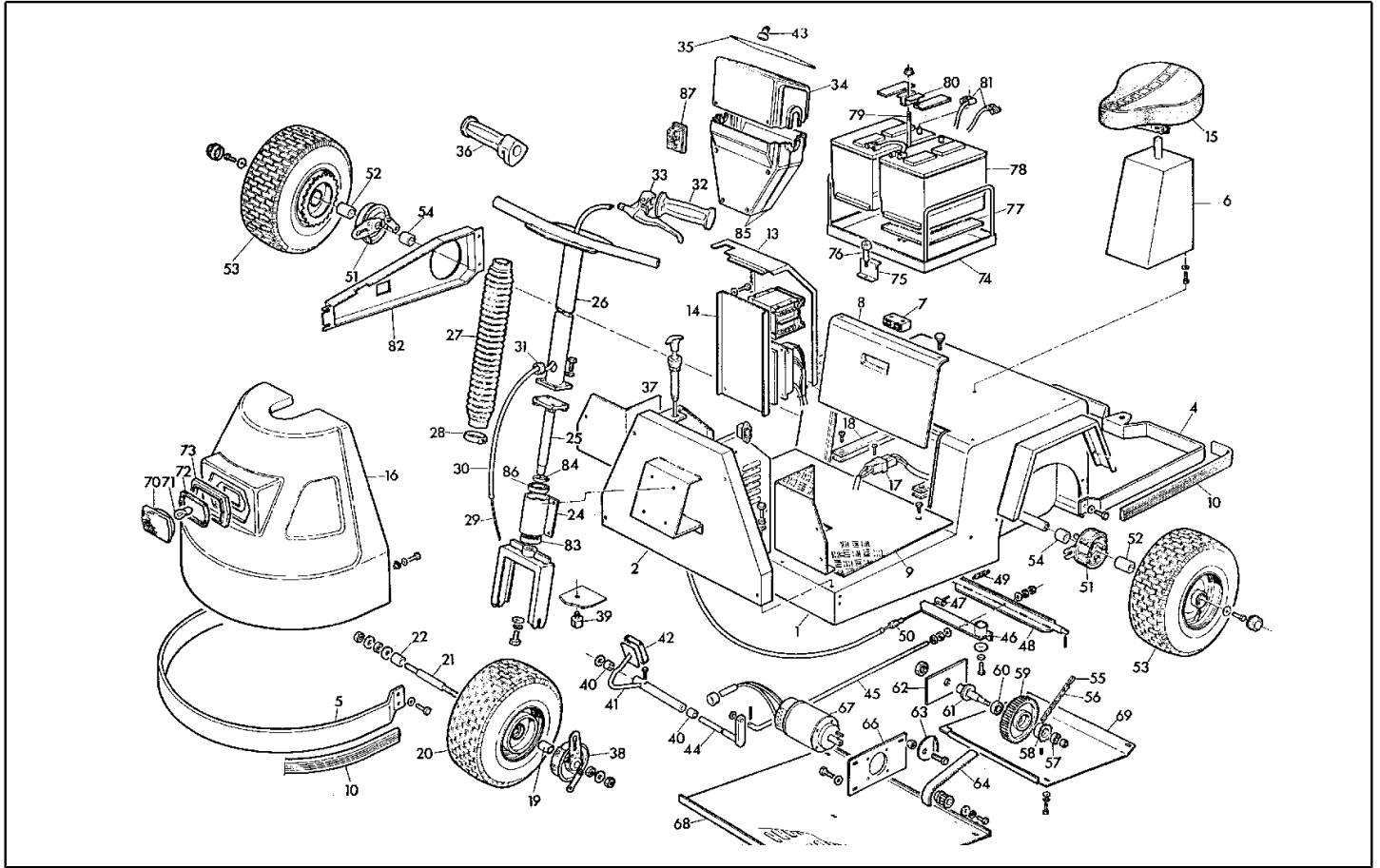
Model: ELECTR. VEHICLE TIGER 500S II PRT



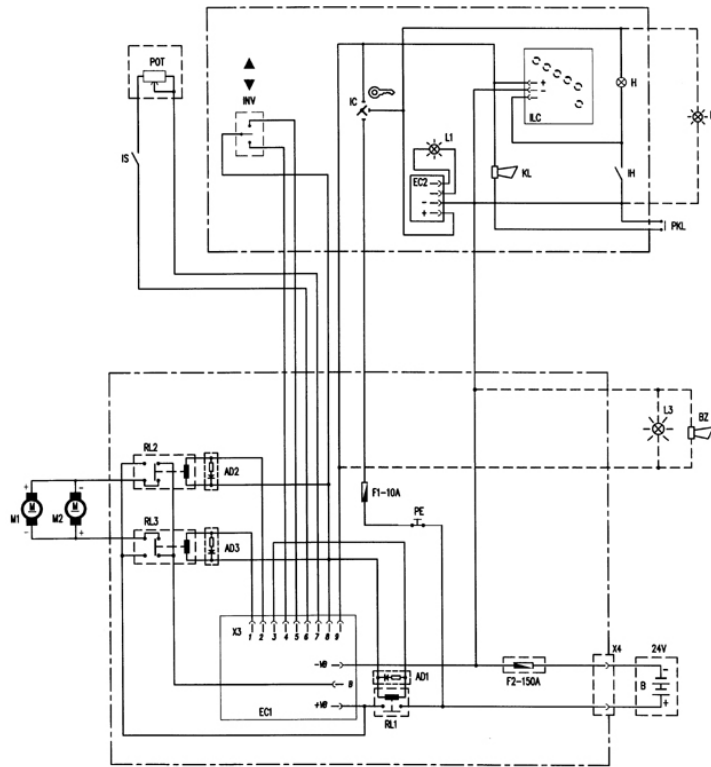
| Ref. K | Part n. | Customer part n. | Description | Quantity | Validity | | Price |
|--------|-----------|------------------|---|----------|------------|------------|-------|
| | | | | | From | To | |
| 0001 | LAFN29931 | 00029931 | BODY TIG.300 | 1,00 | 26/04/1999 | -- | -- |
| 0002 | LAFN42219 | 00042219 | CONTROL BOX TIG.300 II | 1,00 | 02/06/1999 | -- | -- |
| 0004 | LAFN29939 | 00029939 | BACK BUMPER TIG.300 | 1,00 | -- | -- | -- |
| 0005 | LAFN29933 | 00029933 | ANT.BUMPER TIG.300 | 1,00 | 26/04/1999 | -- | -- |
| 0006 | LAFN29949 | 00029949 | SADDLE SUPPORT TIG.300 | 1,00 | 26/04/1999 | 31/01/2009 | -- |
| 0006 | LAFN40119 | | SUPPORT T.500 GR. | 1,00 | 01/02/2009 | -- | -- |
| 0007 | CHVR34038 | 00034038 | CLOSURE L= 73X18 | 1,00 | 26/04/1999 | -- | -- |
| 0008 | LAFN29955 | 00029955 | BOX COVER TIG.300 | 1,00 | 02/06/1999 | -- | -- |
| 0009 | MPVR43880 | 00043880 | PLANE T.300-500 | 1,00 | 09/05/2001 | -- | -- |
| 0013 | LAFN33109 | 00033109 | BOX COVER TIG.300 2V | 1,00 | 26/04/1999 | -- | -- |
| 0014 | LAFN33112 | 00033112 | JUNCTION BOARD TIG.300 2.V | 1,00 | 26/04/1999 | -- | -- |
| 0015 | SESD29848 | 00029848 | SADDLE PU 290X260 | 1,00 | 02/06/1999 | 05/12/2004 | -- |
| 0015 | SESD88786 | | SADDLE RVS BK. C/P. TIG. | 1,00 | 06/12/2004 | 31/01/2009 | -- |
| 0015 | SESD40002 | | SEAT SC 74 S/GD. | 1,00 | 01/02/2009 | -- | -- |
| 0016 | MPVR36019 | 00036019 | HOOD TIG.300 ABS | 1,00 | 20/04/2013 | -- | -- |
| 0016 | MPVR42355 | 00042355 | HOOD TIG.300 ABS GFR | 1,00 | 13/12/2001 | 19/04/2013 | -- |
| 0017 | MEVR07039 | 00007039 | PLUG CB 50 | 1,00 | -- | -- | -- |
| 0018 | MPVR25715 | 00025715 | PLATE PVC 415X30X 5 | 2,00 | 26/04/1999 | -- | -- |
| 0019 | LAFN29920 | 00029920 | SPACER D. 25-21 L=42 | 1,00 | 26/04/1999 | -- | -- |
| 0020 | RTRT29913 | 00029913 | WHEEL D. 13"X5.00/ 6 PN. +TB. | 1,00 | -- | -- | -- |
| 0021 | LAFN29922 | 00029922 | WHEEL PIN D.20 L=215 2XM14 | 1,00 | 26/04/1999 | -- | -- |
| 0022 | LAFN29924 | 00029924 | SPACER D. 25-21 L=37 | 1,00 | 26/04/1999 | -- | -- |
| 0024 | LAFN35787 | 00035787 | SUPPORT TIGER | 1,00 | 02/06/1999 | -- | -- |
| 0025 | LAFN38798 | 00038798 | UP STEERING TIG. 500 | 1,00 | 02/06/1999 | -- | -- |
| 0026 | LAFN38547 | 00038547 | UP STEERING L.95-TIG. | 1,00 | 26/04/1999 | -- | -- |
| 0027 | MPVR35714 | 00035714 | PROTECTOR D. 55-50X230 | 1,00 | 26/04/1999 | -- | -- |
| 0028 | FSVR01874 | 00001874 | CLAMP LG 31916 9 X260 N | 2,00 | 26/04/1999 | -- | -- |
| 0029 | CMCV29817 | 00029817 | CORD D. 2 L=1800 | 1,00 | 26/04/1999 | -- | -- |
| 0030 | CMCV29816 | 00029816 | SHEATH VIPLAST L=1060 3 X6 | 1,00 | 26/04/1999 | -- | -- |
| 0032 | MPVR29814 | 00029814 | KNOB D. 22 L=124 | 1,00 | -- | -- | -- |
| 0032 | MPVR40015 | | KNOB D. 22 L=124 SIR | 1,00 | 15/06/2007 | -- | -- |
| 0033 | CMCV29815 | 00029815 | CONTROL LEVER D. 22 + STZ. SX TIG. | 1,00 | -- | -- | -- |
| 0033 | CMCV40002 | | LEVER D.22 C/STZ. MN. C.16 | 1,00 | 15/02/2007 | -- | -- |
| 0033 | CMCV33525 | 00033525 | LEVER D.22 NYL | 1,00 | 26/04/1999 | 10/01/2007 | -- |
| 0034 | MPVR33115 | 00033115 | INSTR.PANEL L.9000 - TIG. 2.V PP | 1,00 | 27/10/2000 | -- | -- |
| 0035 | ETET42222 | 00042222 | LABEL TIG. 500/1000 PLC | 1,00 | 27/10/2000 | -- | -- |
| 0036 | MEVR31306 | 00031306 | KNOB D.22 DX TIGER 300 | 1,00 | 26/04/1999 | 14/06/2007 | -- |
| 0036 | MEVR40004 | | KNOB D.22 DX TIG. | 1,00 | 15/06/2007 | -- | -- |
| 0037 | CMCV30002 | 00030002 | CONTROL LEVER TIG.300 | 1,00 | 02/06/1999 | -- | -- |
| 0038 | RTRT31163 | 00031163 | BLOCK BRAKE R D. 90-D.14 DX | 1,00 | 26/04/1999 | -- | -- |
| 0039 | ABGO34061 | 00034061 | VIBRATION DAMP. CL.25X17- 1M6X12 60SH NBR | 1,00 | 26/04/1999 | -- | -- |
| 0040 | MPVR29993 | 00029993 | BUSHING D. 12X24-16 L=14 OT. | 2,00 | 26/04/1999 | -- | -- |
| 0041 | LAFN29987 | 00029987 | BRAKE PEDAL TIG.300 | 1,00 | 26/04/1999 | -- | -- |
| 0042 | LAFN29988 | 00029988 | PROTECTION TIG.300 | 1,00 | 26/04/1999 | -- | -- |



| Ref. K | Part n. | Customer part n. | Description | Quantity | Validity | | Price |
|--------|-----------|------------------|---|----------|------------|------------|-------|
| | | | | | From | To | |
| 0043 | MEVR34121 | 00034121 | COWLING T 115 | 1,00 | 27/10/2000 | -- | -- |
| 0044 | LAFN29992 | 00029992 | CONTROL PIN TIG.300 | 1,00 | 26/04/1999 | -- | -- |
| 0045 | LAFN29997 | 00029997 | CONTROL ROD L=660 M6 | 1,00 | 26/04/1999 | -- | -- |
| 0046 | LAFN29999 | 00029999 | CONTROL LEVER TIG.300 | 1,00 | 26/04/1999 | -- | -- |
| 0047 | CMCV13590 | 00013590 | CLAMP VT 8X11 M5 LOLY 700 | 1,00 | 26/04/1999 | -- | -- |
| 0048 | LAFN30016 | 00030016 | CROSS PIECE TIG.300 | 1,00 | 26/04/1999 | -- | -- |
| 0049 | MLML12055 | 00012055 | SPRING TR144 D. 12 X41 F.1.5 | 2,00 | 26/04/1999 | -- | -- |
| 0050 | CMCV12069 | 00012069 | REGISTER CH.12X 8MAX35 | 1,00 | 26/04/1999 | -- | -- |
| 0051 | RTRT29971 | 00029971 | BLOCK BRAKE R D. 90-D.20 DX | 1,00 | 26/04/1999 | 30/06/2008 | -- |
| 0051 | RTRT40003 | | BLOCK BRAKE R D. 90-D.20 DX | 1,00 | 01/07/2008 | -- | -- |
| 0051 | RTRT31157 | 00031157 | BLOCK BRAKE R D. 90-D.20 SX | 1,00 | 26/04/1999 | 30/06/2008 | -- |
| 0051 | RTRT40004 | | BLOCK BRAKE R D. 90-D.20 SX | 1,00 | 01/07/2008 | -- | -- |
| 0052 | LAFN29975 | 00029975 | SPACER D. 25-21 L=51 | 2,00 | 26/04/1999 | -- | -- |
| 0053 | RTRT39072 | 00039072 | WHEEL D. 13"X 5.00/ 6 FN.CR.T50 | 2,00 | | -- | -- |
| 0054 | LAFN29973 | 00029973 | SPACER D. 25-21 L=24 | 2,00 | 26/04/1999 | -- | -- |
| 0055 | MTCR29977 | 00029977 | WARP KNITTING 1/2X 1/8 S. | 2,00 | 26/04/1999 | -- | -- |
| 0056 | MTCR29976 | 00029976 | CHAIN 1/2X 1/8 S. 081 DIN 8187 | 1,36 | 26/04/1999 | -- | -- |
| 0057 | CUVR29964 | 00029964 | BALL BEARING 6000-2RS1 | 1,00 | 26/04/1999 | -- | -- |
| 0058 | MTCR38078 | 00038078 | PINION Z.12 P 1/2 X 1/8 S. T5 | 1,00 | 26/04/1999 | -- | -- |
| 0059 | MTPL38077 | 00038077 | PULLEY HTD 72.5M 25 D.16-35 | 1,00 | 26/04/1999 | -- | -- |
| 0060 | CUVR29963 | 00029963 | BALL BEARING 6003-2RS1 | 1,00 | 26/04/1999 | -- | -- |
| 0061 | LAFN38076 | 00038076 | PIN TIG.500 . | 1,00 | 26/04/1999 | -- | -- |
| 0062 | LAFN29966 | 00029966 | PLATE TIG.300 | 2,00 | 26/04/1999 | -- | -- |
| 0063 | LAFN29881 | 00029881 | BELT-STRETCHER D. 12-50 | 2,00 | 26/04/1999 | -- | -- |
| 0064 | MTCG38389 | 00038389 | BELT HTD 670-5M 25 | 2,00 | | -- | -- |
| 0067 | MOCC38391 | 00038391 | TRACTION MOTOR CC MP 24V 400W 2800G+PL. | 1,00 | 30/06/1999 | -- | -- |
| 0068 | LAFN29945 | 00029945 | PANEL TIG.300 ANT. | 1,00 | 26/04/1999 | -- | -- |
| 0069 | LAFN29947 | 00029947 | PANEL TIG.300 PST | 1,00 | 26/04/1999 | -- | -- |
| 0070 | MELF29909 | 00029909 | LANTERN COBO | 1,00 | 02/06/1999 | -- | -- |
| 0071 | MELF29910 | 00029910 | LAMP 24 V 70 W | 1,00 | 02/06/1999 | -- | -- |
| 0072 | MELF29912 | 00029912 | GASKET COBO | 1,00 | 02/06/1999 | -- | -- |
| 0073 | MELF29911 | 00029911 | FRAME COBO | 1,00 | 02/06/1999 | -- | -- |
| 0074 | LAFN30005 | 00030005 | BATTERY SUPPORT TIG.300 | 1,00 | 26/04/1999 | -- | -- |
| 0075 | LAFN29957 | 00029957 | BATTERY CLAMP TIG.300 | 1,00 | 26/04/1999 | -- | -- |
| 0076 | VTVR17333 | 00017333 | HANDWHEEL M 8MAX15-LP 30 | 1,00 | 26/04/1999 | -- | -- |
| 0077 | MPVR30008 | 00030008 | BATTERY RUBBER 750X300 | 2,00 | 26/04/1999 | -- | -- |
| 0078 | BAAC27034 | 00027034 | BATTERY 80 AH 12V 420A | 2,00 | | -- | -- |
| 0079 | LASL31543 | 00031543 | BATT. TIE ROD TIG.300 | 1,00 | 26/04/1999 | -- | -- |
| 0080 | LAFN30010 | 00030010 | BATTERY CLAMP TIG.300 SUP. | 1,00 | 26/04/1999 | -- | -- |
| 0081 | MECB38662 | 00038662 | CABLE SG 1X16 L= 50/ 50 | 1,00 | 26/04/1999 | -- | -- |
| 0082 | LAFN38396 | 00038396 | PROTECTION T.500 SX | 1,00 | 26/04/1999 | -- | -- |
| 0082 | LAFN38398 | 00038398 | PROTECTION T.500 DX | 1,00 | 26/04/1999 | -- | -- |
| 0083 | CUVR35782 | 00035782 | BALL BEARING 7205 BE | 1,00 | 02/06/1999 | -- | -- |
| 0084 | VTAE09655 | 00009655 | SEEGER ESTERNO DIN 471 D.25 | 1,00 | 02/06/1999 | -- | -- |



| Ref. K | Part n. | Customer part n. | Description | Quantity | Validity | | Price |
|--------|-----------|------------------|------------------------|----------|------------|----|-------|
| | | | | | From | To | |
| 0085 | MPVR33116 | 00033116 | HALF BEARING PP 2.V | 2,00 | 26/04/1999 | | -- |
| 0086 | CUVR15981 | 00015981 | BALL BEARING 6205 2RS1 | 1,00 | 02/06/1999 | | -- |
| 0087 | MELF38915 | 00038915 | LANTERN COBO ORANGE | 1,00 | 26/04/1999 | | -- |
| 9999 | MECB38663 | 00038663 | CABLE SG 1X16 L= 30 | 1,00 | 26/04/1999 | | -- |



| Ref. K | Part n. | Customer part n. | Description | Quantity | Validity | | Price |
|--------|-----------|------------------|----------------------------------|----------|------------|------------|-------|
| | | | | | From | To | |
| B | BAAC27034 | 00027034 | BATTERY 80 AH 12V 420A | 2,00 | | | -- |
| H | MELF29910 | 00029910 | LAMP 24 V 70 W | 1,00 | | | -- |
| F1 | MEVR09008 | 00009008 | FUSE 10 A RSS | 1,00 | | | -- |
| IC | MECI30416 | 00030416 | SWITCH ZADI 8328 | 1,00 | 27/10/2000 | | -- |
| IH | MECI30499 | 00030499 | SWITCH 10A - 250VAC | 1,00 | 27/10/2000 | | -- |
| IS | MECI37826 | 00037826 | BUTTON ON-OFF INST. TIG. | 1,00 | | 14/05/2001 | -- |
| IS | MECI42352 | 00042352 | FEED PEDAL MP 6114/F 240V 16A | 1,00 | 15/05/2001 | | -- |
| L1 | MELF38917 | 00038917 | LAMP 24V 10W SF. | 1,00 | 26/04/1999 | | -- |
| L2 | MELF12177 | 00012177 | LAMP FLASH 24V 21W AR. | 1,00 | | | -- |
| PE | MECI32516 | 00032516 | SWITCH 25A COBO | 1,00 | 02/06/1999 | | -- |
| EC1 | MECE35742 | 00035742 | ELEC.CIRCUIT PM04 150A 24V | 1,00 | | | -- |
| EC2 | MECE38916 | 00038916 | ELEC.CIRCUIT INT. 12/24V 20W TIG | 1,00 | 26/04/1999 | | -- |
| ILC | MECE34007 | 00034007 | ELEC.CIRCUIT LED TIGER +BZ. 2.V | 1,00 | | | -- |
| INV | MECI34120 | 00034120 | SWITCH T 115-EA | 1,00 | 27/10/2000 | | -- |
| PKL | MECI30417 | 00030417 | SWITCH D.15 TIG. | 1,00 | 27/10/2000 | | -- |
| POT | MEVR31306 | 00031306 | KNOB D.22 DX TIGER 300 | 1,00 | | | -- |
| RL1 | METT36724 | 00036724 | CONTACTOR MAC 15 D 24V DC S.C. | 1,00 | | | -- |
| RL2 | METT36723 | 00036723 | CONTACTOR MAC 15 R 24V DC S.I. | 1,00 | | | -- |
| RL3 | METT36723 | 00036723 | CONTACTOR MAC 15 R 24V DC S.I. | 1,00 | | | -- |