

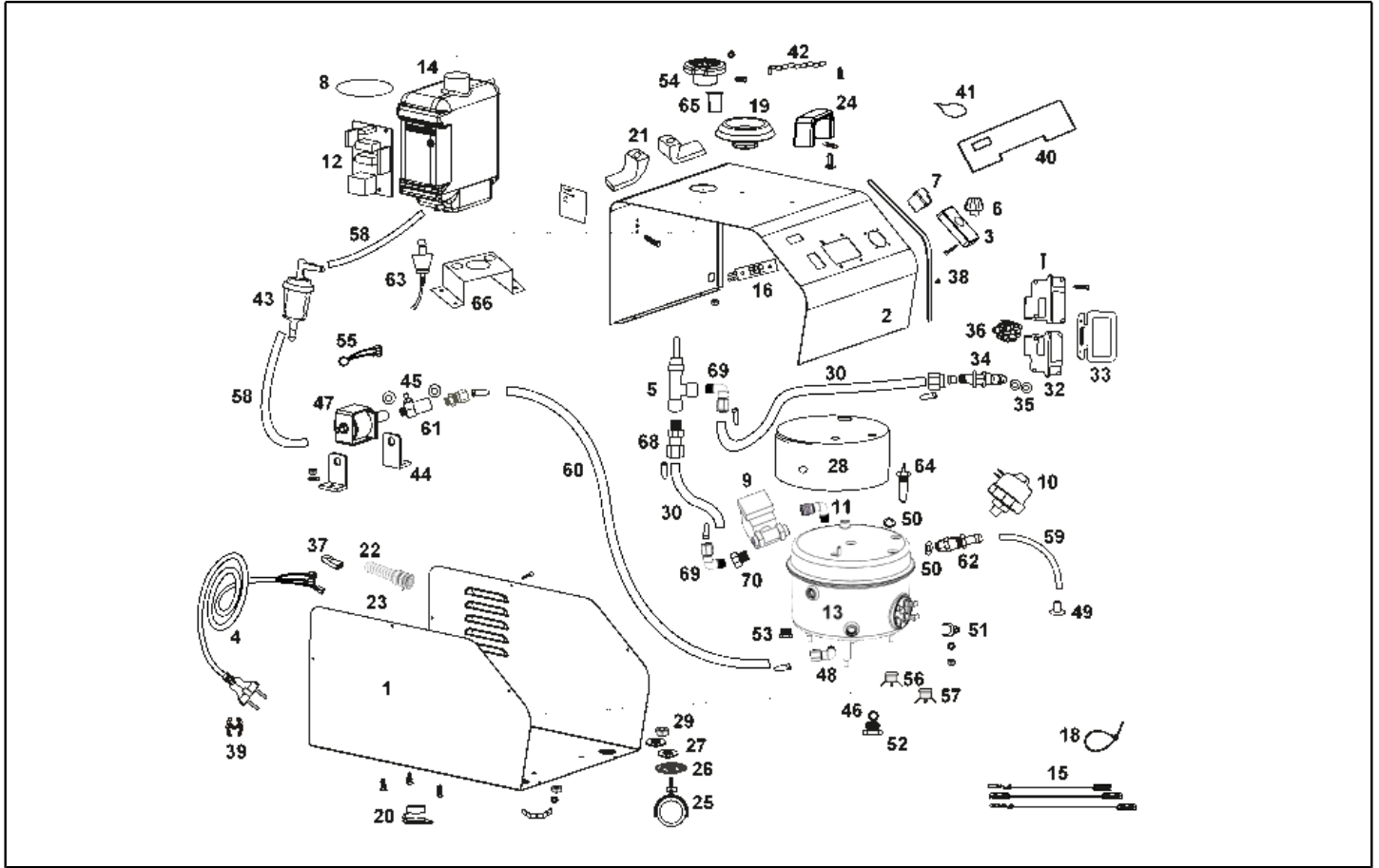


IPC

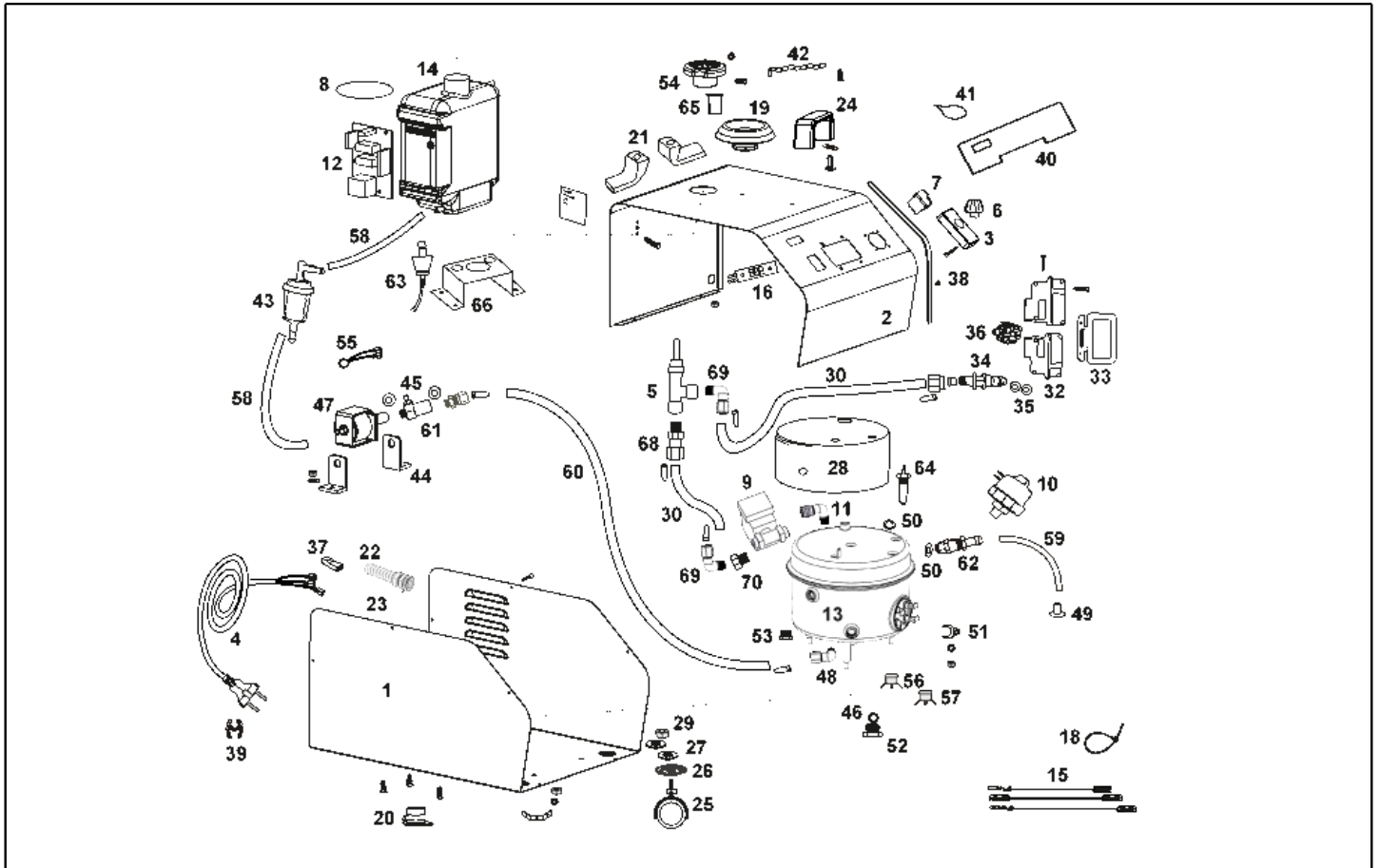
Spare parts list

Ref: GNVA40038

Model: GENERATOR SG-10 S 6008 M 230V IPC



Ref. K	Part n.	Customer part n.	Description	Quantity	Validity		Price
					From	To	
0001	LAFN40956		BASE STM-SG.10/RI.INX	1,00			--
0002	LAFN40957		COVERING STM-SG.10/RI.INX	1,00			--
0003	MPVR40890		TERMINAL BOARD VAP.STI	1,00			--
0004	MECB40379		CABLE H05VVH 3X1,5 MT5 SK	1,00			--
0005	RCGR40014		TAP STEAM SG.10 1/8F-F	1,00			--
0006	MPVR40891		KNOB SG.08/10	1,00			--
0007	MECI40044		SWITCH SLX 250V 0-1 B4D	1,00			--
0008	GUGO40085		O-RING D. 120.24 X 3.53-EPD 70SH	1,00			--
0009	MEEV40018		SOLENOID VALVE 7000/6 D3 2V.230V	1,00			--
0010	MEPF40041		PRESSURE SWITCH XP 1/8G 6.0BAR	1,00			--
0011	RCVR35844	00035844	ELBOW 1/4-1/8 M/M NIK	1,00			--
0012	MECE40075		PCB STM-TR6 C/LIV.VP.	1,00			--
0013	CDVE40036		BOILER 3.2 SG.10 230V	1,00			--
0014	MPVR40896		WATER TANK STM-SV.10	1,00			--
0015	MECB40381		WIRING SG.10	1,00			--
0016	MECE40074		DISPLAY TR6/AC-VP	1,00			--
0018	FSVR01875	00001875	CLAMP LG 32030 2.4X 95	20,00			--
0019	GUGO40084		GASKET D. 30 V.TR6 BK.	1,00			--
0020	GUVR40117		GASKET GRC	1,00			--
0021	MPVR40892		CABLE SUPPORT SG.08/10	2,00			--
0022	MEVR87965	00087965	CABLE CLAMP PG 11 SPIR. BK.	1,00			--
0023	MEVR87375	00087375	LOCKNUT PG 11 BK	1,00			--
0024	MPVR40893		HANDLE SG.08/10 M6	1,00			--
0025	RTRT40054		TURNING WHEEL D. 50 M8	4,00			--
0026	VTRS40042		WASHER D. 8,5X30X1,5 BOMB.	4,00			--
0027	VTRS00504	00000504	WASHER D. 8 TE ZC. UNI 6592	8,00			--
0028	ITTE40011		PROTECTION FV.10 SG.10	1,00			--
0029	VTDD00483	00000483	NUT M 8 ZIN UNI 5588	4,00			--
0030	TBBP43611	00043611	L.P. HOSE D. 4- 6 TEFLON	0,60			--
0032	MEVR40197		COWLING VP. 2pz. T.NA	1,00			--
0033	MEVR40198		DOOR VAP. T.NA.	1,00			--
0034	RCIN40038		JOINT STEAM OT. D.6+OG.	1,00			--
0035	GUGO14475	00014475	O-RING D. 9.25 X 1.78 VIT 80SH	2,00			--
0036	MEVR40199		SOCKET ILME 5P	1,00			--
0037	MEVR40091		TERM.BOARD COV. IN.PST. P/6.3	2,00			--
0038	GUVR40115		EDGE PVC "U" PSL 891/3P CMP.	1,50			--
0039	MEVR40200		CLIP TR5	1,00			--
0040	ETET41196		LABEL STM-SG.10/3 PLC	1,00			--
0041	ETET41190		LABEL SV.08	1,00			--
0042	VTVR40061		SMALL CHAIN NR.8 NIK.	1,00			--
0043	FTAC40018		WATER FILTER D.30 PG.90° PLS.	1,00			--
0044	MPVR40895		SUPPORT SV.10 A.VB.	2,00			--
0045	GUGO03497	00003497	O-RING D. 6.75 X 1.78 VIT 80SH	2,00			--
0046	GUGO40086		O-RING D. 11.11 X 1.78 VIT 70SH	1,00			--



Ref. K	Part n.	Customer part n.	Description	Quantity	Validity		Price
					From	To	
0047	PEL40098		PUMP BY-P. 230V OT	1,00			--
0048	RCVR40192		BI-CONE CONNEC. L 1/8" M CN D. 6/ 8 NIK	1,00			--
0049	RCVR40193		CONNECTOR V. TR6 NYL.	1,00			--
0050	VTRS04929	00004929	WASHER D. 10 X 14 X 1 AL	3,00			--
0051	LAFN40953		SUPPORT STM-SV. 10	2,00			--
0052	RCVR40194		CAP STM-SV. 10	1,00			--
0053	RCDS01720	00001720	CAP 1/8 M	1,00			--
0054	MPVR40897		TANK CAP STM-SG. 10	1,00			--
0055	METK40016		KLIKSON F11 100°C	1,00			--
0056	METK40017		THERMOSTAT 185 °C SIC.	1,00			--
0057	METK40018		THERMOSTAT 175 °C SIC.	1,00			--
0058	TBBP89815		L.P. HOSE D. 4- 8,5 SILIC. NT.	0,70			--
0059	TBBP40117		L.P. HOSE D. 6- 9 SILIC. NT.	0,30			--
0060	TBBP41919	00041919	L.P. HOSE D. 6- 8 TEFLON	0,30			--
0061	VVSF40020		VALVE N.RT. S11 OT	1,00			--
0062	VVSC40019		VALVE SG10 G 1/8M 8 BAR	1,00			--
0063	MECI40045		SENSOR LEVEL QV6 CBL.	1,00			--
0064	MECI40046		PROBE TR6	1,00			--
0065	FTAC40019		WATER FILTER D.30 TNK. PE BK.	1,00			--
0066	LAFN40954		SUPPORT STM-SV. 10 IX	1,00			--
0068	RCVR46627	00046627	BI-CONE CONNEC. DTT 1/8" M B1 D. 4/ 6 NIK	1,00			--
0069	RCVR46461	00046461	BI-CONE CONNEC. L 1/8" M B5 D. 4/ 6 NIK	2,00			--
0070	RCVR00644	00000644	REDUCTION 1/4-1/8 M/F	1,00			--