

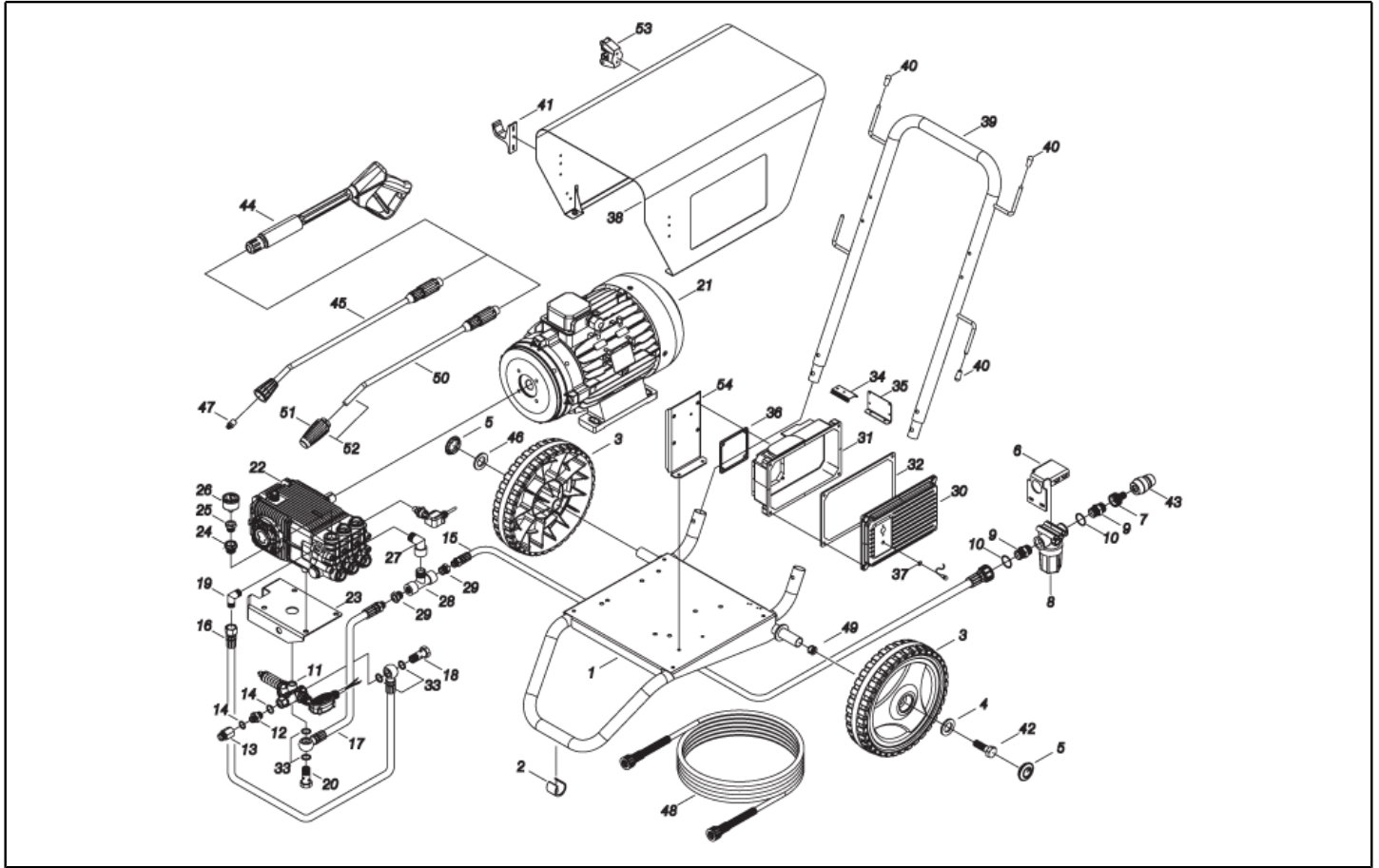


IPC

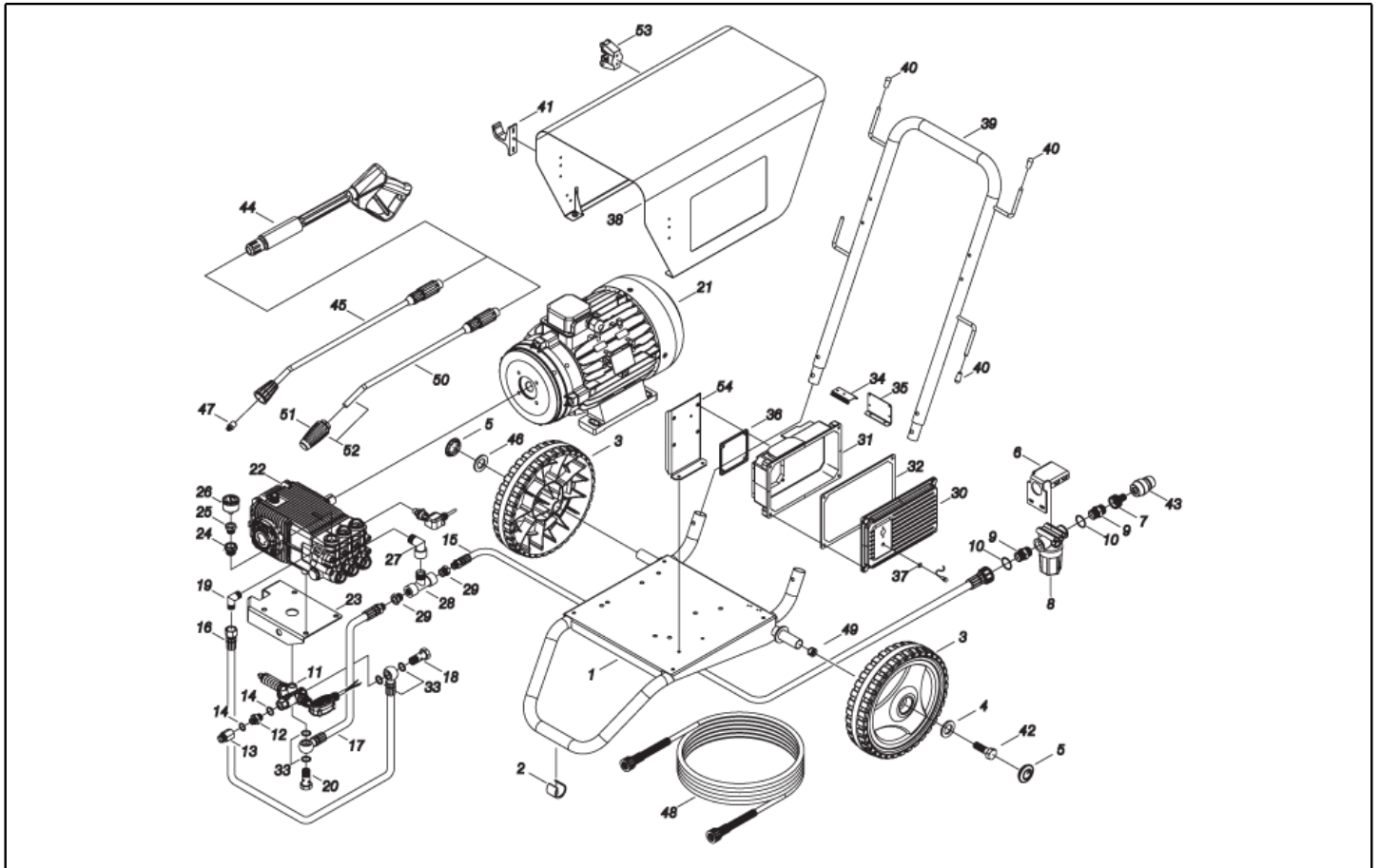
Spare parts list

Ref: IDAF40858

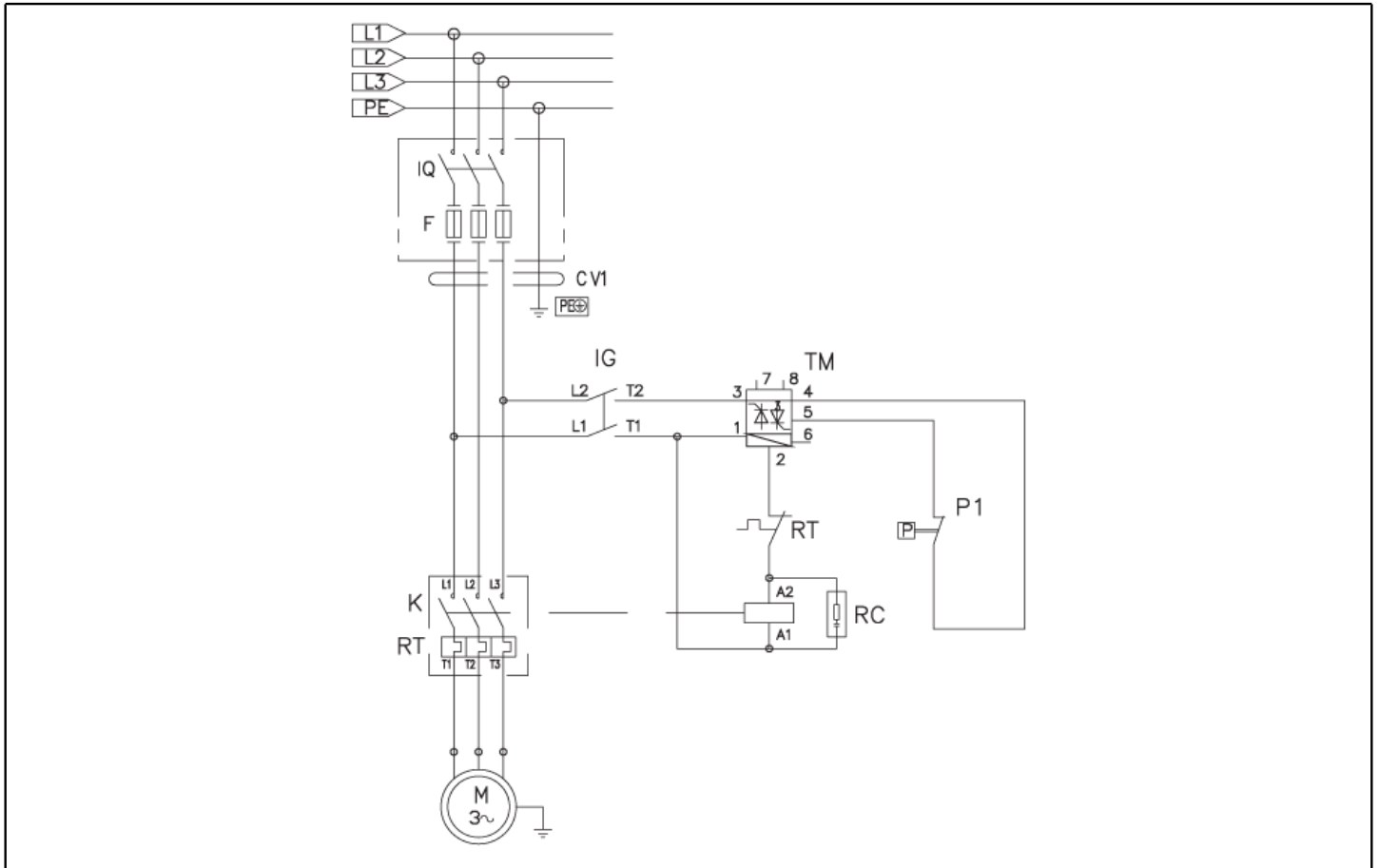
Model: H.P. CLEANER PW-C85 D2030P T230/50 IPN



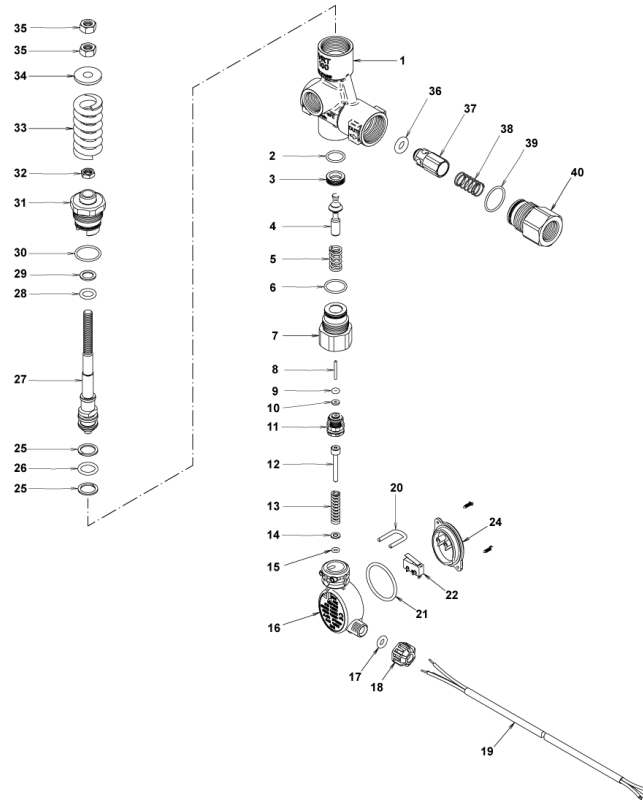
Ref. K	Part n.	Customer part n.	Description	Quantity	Validity		Price
					From	To	
0001	LAFN40848		CHASSIS PW-C85 12-15HP/Rt.F. AL.	1,00			--
0002	MPVR40787		FOOT D.28-30MM P.7.5MM	1,00			--
0003	RTRT40042		WHEEL D.300-D.25 FLY-IPC	2,00			--
0004	VTRS00513	00000513	WASHER D. 8 X32 P.	1,00			--
0005	MPVR40782		HUB CAP D.50 G-48/IPC BK.	2,00			--
0006	LAFN40811		FILTER BRACKET PW-C85 10HP AL.	1,00			--
0007	RCVR29600	00029600	SOCKET PTC 3/4 F	1,00			--
0008	FTAC40015		WATER FILTER 3/4 FF 100MS 55L/1 TC	1,00			--
0009	RCVR40006		NIPPLE 3/4 - 3/4 D.18 L=60 PPL	2,00			--
0010	GUGO01043	00001043	O-RING D. 25.07 X 2.62 NBR 70SH	2,00			--
0011	VVAZ40077		VALVE VRT100 1/2F 35MPa +SW	1,00			--
0012	RCDS00611	00000611	NIPPLE 1/2 - 3/8 SV	1,00			--
0013	RCIN03753	00003753	MALE COUPLING M22-3/8 M-FA	1,00			--
0014	VTRS00548	00000548	WASHER D.17,5X23X1,5 (3/8)RM	2,00			--
0015	TBBP40098		L.P. HOSE L=340 3/4F 0° -3/4M 0°	1,00			--
0016	TBAP40186		HOSE-FITTING 3/ 8 R1 L=370 1/2OC-3/8F	1,00			--
0017	TBAP40187		HOSE-FITTING 1/ 2 R1 L=270 1/2OC.-1/2M	1,00			--
0018	RCDS16328	00016328	SCREW G 1/2 D.8	1,00			--
0019	RCVR40590	00040590	ELBOW 3/8" M.A.P. OT.MTM	1,00			--
0020	RCDS40233		SCREW 1/2 C/SC. L=46.0 D.13.5	1,00			--
0021	MOTR40067		3PH MOTOR B3-14 HP15 23/400-50 4P	1,00			--
0022	PPAP40118		PUMP XW 30.10 DX N	1,00			--
0023	LAFN40815		VALVE BRACKET PW-C85/15 AL.	1,00			--
0024	PVVR40450		CAP AR XWLA +1/8F	1,00			--
0025	RCVR40156		SLEEVE 1/8 M/F L= 23 OT.NK	1,00			--
0026	MNMN18650	00018650	PRESSURE GAUGE 0-300 D.40	1,00			--
0027	RCVR40176		ELBOW 3/4" M/F O.NIK	1,00			--
0028	RCVR40175		CONNECTOR T 3/4 F/M/F OT.NIK	1,00			--
0029	RCVR40042		REDUCTION 3/4-1/2 M/F NIK	2,00			--
0030	MEVR40186		BOX COVER PW-C85 ALL.	1,00			--
0031	MEVR40188		CONTROL BOX PW-C85 230V ALL.	1,00			--
0032	GUGO40068		GASKET COPERCH. H132 RV	1,00			--
0033	VTRS00549	00000549	WASHER D.21,5X27X1,5 (1/2) RM	4,00			--
0034	LAFN40829		SUPPORT L.60 PW-C85	1,00			--
0035	LAFN40828		BRACKET PW-C85 ZC.	1,00			--
0036	GUGO40067		GASKET H132 RV IP55	1,00			--
0038	LAFN40915		COVERING PW-C85 12-15HP/230 G248	1,00			--
0039	LAFN40905		HANDLE PW-C85 12-15HP/IPC AL.	1,00			--
0040	MPVR32471	00032471	PROD D. 8 BK	4,00			--
0041	MPVR14947	00014947	LANCE REST NYL 66	1,00			--
0042	VTVT00447	00000447	SCREW TE 8X25 UNI5739	1,00			--
0043	RCVR29602	00029602	CONNECTOR D. 1/2"-5/8" PTC	1,00			--
0044	IPPR40020		GRIP G 6000+P.330 +M22 SW.M V	1,00			--
0045	LCPR12983	00012983	DOUBLE EXTENS. PD 70	1,00			--



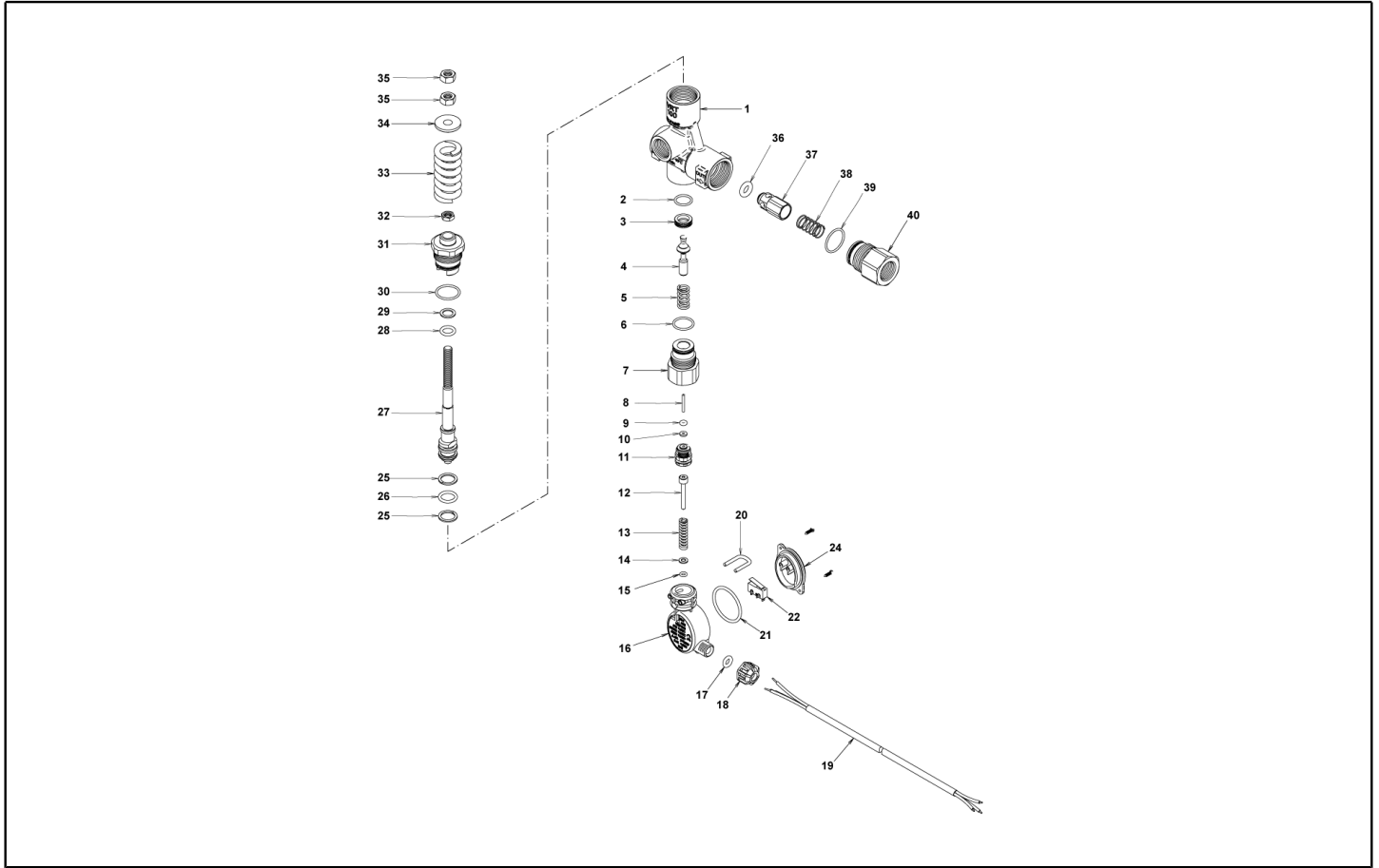
Ref. K	Part n.	Customer part n.	Description	Quantity	Validity		Price
					From	To	
0046	VTRS09813	00009813	WASHER D.25	1,00			--
0047	UGLN02314	00002314	NOZZLE LECH 1/4 2510	1,00			--
0047	UGLN75267		WATER NOZZLE 2514 1/4 MEG	1,00			--
0048	TBAP40207		H.P. HOSE R1 MT 20 3/ 8" C/2 IRV ZC	1,00			--
0049	VTVR40056		INSERT M 8 CROWN-NUT IT-D.21.4	1,00			--
0050	LCPR40139		EXTENSION P 50 -1/4M S/P.UG	1,00			--
0051	LCPE40025		HEAD ROTOJET 255 1/4F 110	1,00			--
0052	LCPR40145		EXTENSION P 50 - TURBO R.J.255 110	1,00			--
0053	MPVR40835		RUBBER TOOLFLEX 15-20 BK.	1,00			--
0054	LAFN40914		SUPPORT BRACKET PW-C85/15 G248	1,00			--



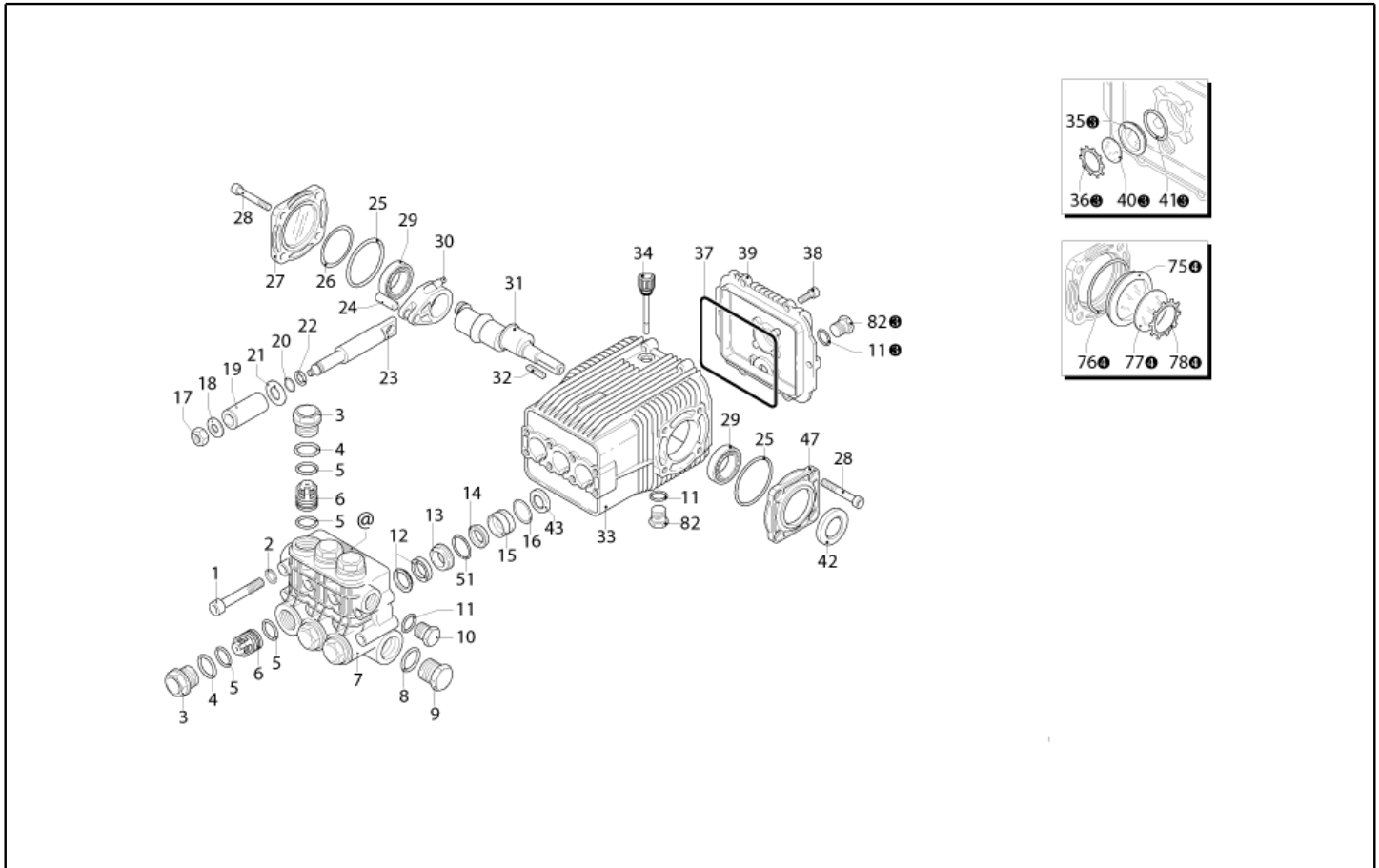
Ref. K	Part n.	Customer part n.	Description	Quantity	Validity		Price
					From	To	
K	METT81302	00081302	CONTACTOR CL45A300M5 220V	1,00			--
IG	MECI40036		SWITCH BRM BP. 0-1 12A +M.0-1	1,00			--
RC	MECE40058		FILTER RC CL00/45-130/240ca	1,00			--
RT	METT40051		THERMAL RELAY GE RT 1W 30.0 -40.0A	1,00			--
TM	METY40011		TIMER THV/1 230-5/60 30S.AF2.0	1,00			--
CV1	MECB40361		CABLE N.555 H07RNF 4X6 L.7.500	1,00			--



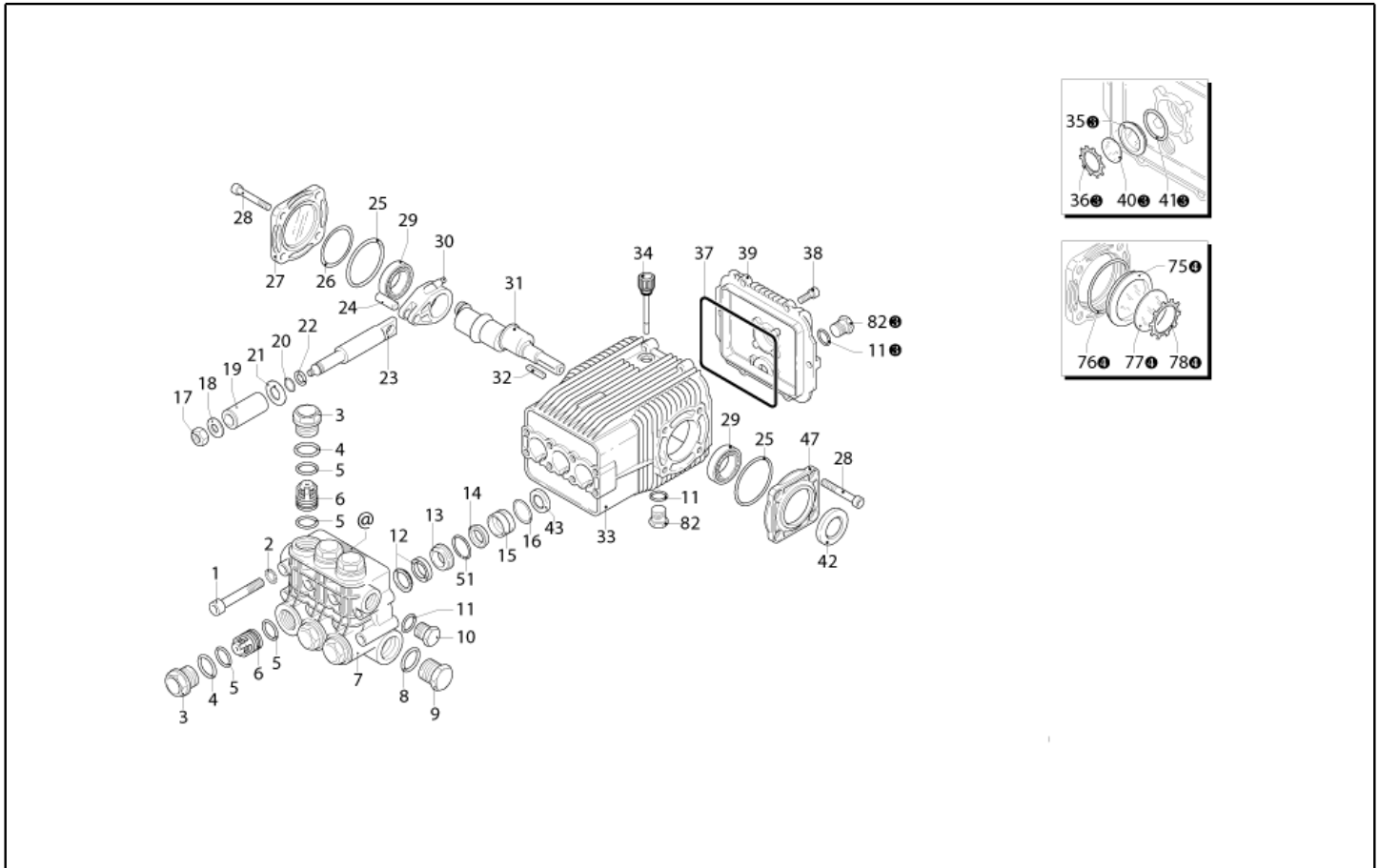
Ref. K	Part n.	Customer part n.	Description	Quantity	Validity		Price
					From	To	
0001	PVVR40459		VALVE BODY VRT100 1/2F	1,00			--
0002	S GUGO12322	00012322	O-RING D. 14 X 1.78 NBR 90SH	1,00			--
0003	S PVVR40460		VALVE SEAT VRT-100	1,00			--
0004	S PVVR40461		COUPLING VRT100-60°	1,00			--
0005	MLML40036		SPRING VRT-100	1,00			--
0006	S GUGO24913	00024913	O-RING D. 17.17 X 1.78 NBR 90SH	1,00			--
0007	PVVR40462		CONNECTOR VRT-100 P/PS2 OT	1,00			--
0008	PVVR40463		PUSH ROD VRT-100 P/PS2	1,00			--
0009	S GUGO40069		O-RING D. 2.05 X 2.62 NBR 70SH	1,00			--
0010	S GUVR40091		ANTI-EXTR.RING D. 2.2X 7.0X1.3 TB	1,00			--
0011	PVVR40464		CONNECTOR PS2 VRT-100	1,00			--
0012	PVVR40465		CONTOL ROD PS2 VRT-100	1,00			--
0013	MLML40037		SPRING D. 6.5 X32 D.1.6	1,00			--
0014	VTRS40032		WASHER D. 4.5X8.5X1.0 OT	1,00			--
0015	GUGO01062	00001062	O-RING D. 3.69 X 1.78 NBR 70SH	1,00			--
0016	MPVR40816		SHELL PS2 BK.	1,00			--
0017	GUGO46053	00046053	O-RING D. 6 X 3 NBR 90SH	1,00			--
0018	MPVR40814		RING NUT PS3 BK.	1,00			--
0019	MECB40342		CABLE 3X0.75 L=1.2 BK.	1,00			--
0020	LAFN40886		PLUG "U" PS6	1,00			--
0021	GUGO40070		O-RING D. 32.99 X 2.62 NBR 70SH	1,00			--
0022	MECI40040		MICROSWITCH XG PS2	1,00			--
0024	MPVR40817		COVER PS2 BK.	1,00			--
0025	S GUVR40092		ANTI-EXTR.RING D.13.5X18 X1.2 TB	2,00			--
0026	S GUGO15198	00015198	O-RING D. 13.10 X 2.62 NBR 70SH	1,00			--
0027	PVVR40466		PUSH ROD VRT-100	1,00			--
0028	S GUGO01060	00001060	O-RING D. 9.92 X 2.62 NBR 70SH	1,00			--
0029	S GUVR40093		ANTI-EXTR.RING D.10 X14.5X1.2 TB	1,00			--
0030	S GUGO40071		O-RING D. 20.35 X 1.78 NBR 90SH	1,00			--
0031	PVVR40467		ROD GUIDE VRT-100	1,00			--
0032	VTDD40011		NUT M 8 OT UNI EN 24035	1,00			--
0033	MLML40025		SPRING D. 5.7/20.7X56 25MPa	1,00			--
0034	VTRS40033		WASHER VRT-3	1,00			--
0035	VTDD00483	00000483	NUT M 8 ZIN UNI 5588	2,00			--
0036	S GUGO40072		O-RING D. 8 X 4 NBR 70SH	1,00			--
0037	PVVR40468		COUPLING VRT-100	1,00			--
0038	MLML40038		SPRING VRT-100	1,00			--
0039	S GUGO40073		O-RING D. 21.91 X 1.78 NBR 90SH	1,00			--
0040	PVVR40469		CONNECTOR VRT-100 G1/2F	1,00			--



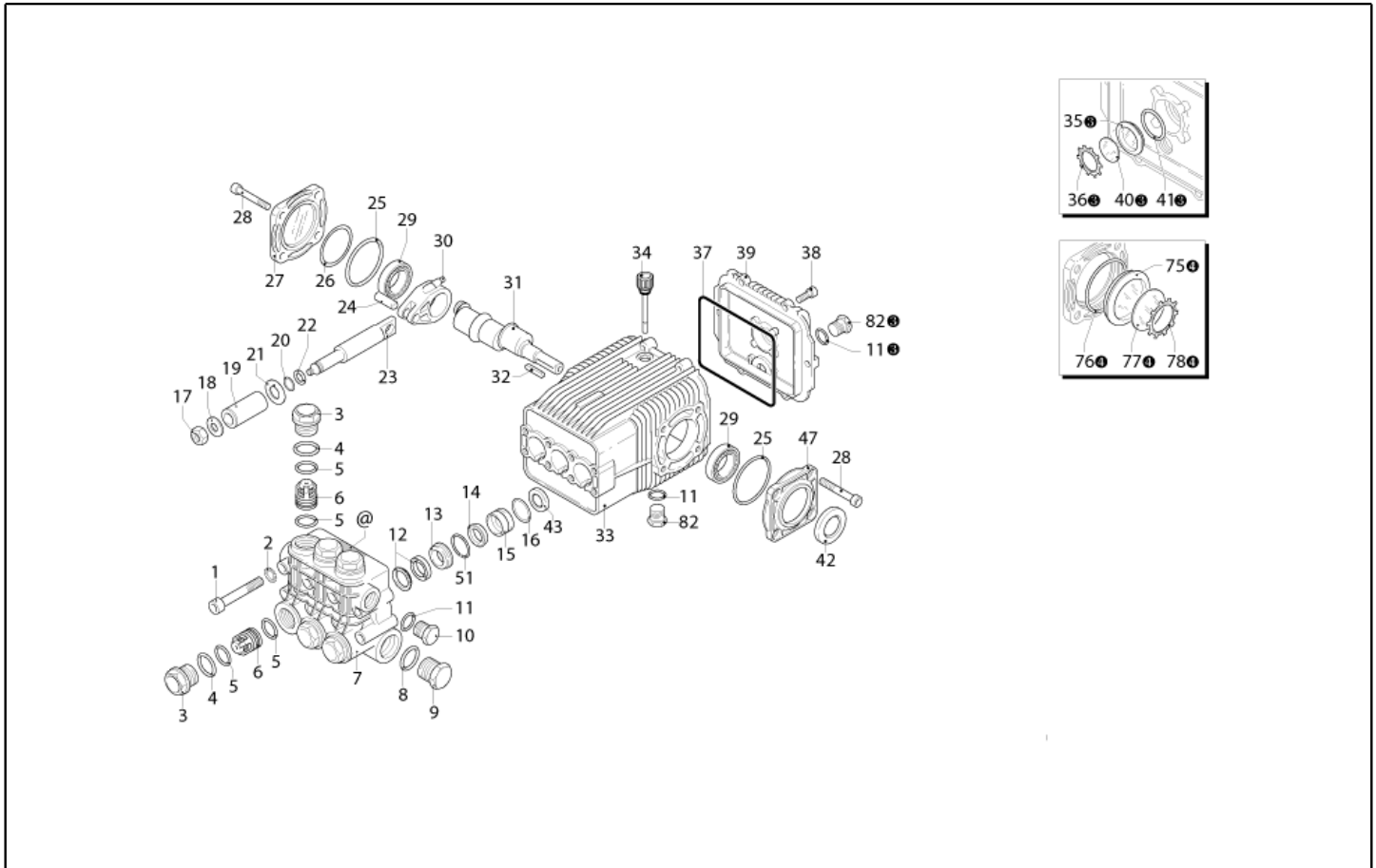
Ref. Part n.	Cust. part n.	Description	Reference	Price
KTRI40393		KIT P 14-113 VRT100 +PS2	0002 0003 0004 0006 0009 0010 0025 0026 0028 0030 0036 0039 0029	--



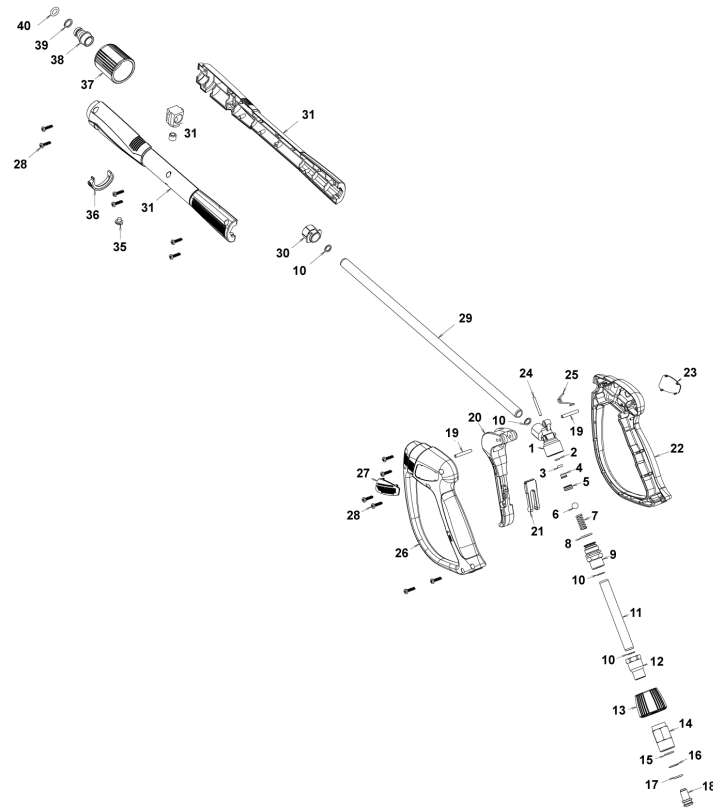
Ref. K	Part n.	Customer part n.	Description	Quantity	Validity		Price
					From	To	
0001	VTVT17597	00017597		8,00			--
0002	VTRS00519	00000519	WASHER D.10 DT	8,00			--
0003	PVVR40220		CAP AR XWLA	6,00			--
0004	PVVR49445	00049445	RING XW	6,00			--
0005	S GUGO19395	00019395	O-RING D. 20.24 X 2.62 NBR 70SH	12,00			--
0006	S VVAM40006		VALVE UNIT XWLA	6,00			--
0007	MFVR40069		HEAD AR XW OT. D.22	1,00			--
0008	GUGO01037	00001037	O-RING D. 23.81 X 2.62 NBR 70SH	1,00			--
0009	PVVR40221		CAP 3/4 M XWLA	1,00			--
0010	PVVR40099		CAP 3/8 M HRM	1,00			--
0011	GUGO09720	00009720	O-RING D. 14 X 1.78 NBR 70SH	3,00			--
0012	S GUVR40051		PACKING D. 22 RK W1	3,00			--
0013	S PVVR40452		INTERMED. RING D.22 XW	3,00			--
0014	S GUVR40050		PACKING D. 22 RK W2	3,00			--
0015	S PVVR40454		INTERMED. RING D. 22 XW	3,00			--
0016	S GUGO63438		O-RING D. 34.65 X 1.78 NBR 70SH	3,00			--
0017	VTDD40005		NUT TEN. PISTONE	3,00			--
0018	VTRS40012		WASHER D. 8,1x18,5x1	3,00			--
0019	S PIVR40016		PISTON D.22 XW	3,00			--
0020	GUGO03496	00003496	O-RING D. 9.25 X 1.78 NBR 70SH	3,00			--
0021	PVVR40455		DISC XW	3,00			--
0022	GUVR40010		ANTI-EXTR.RING D. 9 X13	3,00			--
0023	PVVR40223		PISTON GUIDE XWLA	3,00			--
0024	PVVR40186		GUDGEON D. 14 RW	3,00			--
0025	S GUGO01132	00001132	O-RING D. 66.35 X 2.62 NBR 70SH	2,00			--
0026	PVVR40187		THICKNESS AR 0,05 mm	3,00			--
0026	PVVR40189		THICKNESS AR 0,10 mm	3,00			--
0026	PVVR40192		THICKNESS AR 0,19 mm	3,00			--
0026	PVVR40193		THICKNESS AR 0,25 mm	3,00			--
0027	MFVR40035		CRANKASE COVER AR RW LAT. CPL	1,00			--
0028	VTVT01118	00001118	SCREW TCEI M 8X16 ZC. UNI 5931	8,00			--
0029	CUVR09205	00009205	ROLLER BEARING 32206 A	2,00			--
0030	BLVR40006		CONNECTING ROD SHPA	3,00			--
0031	ALMO40039		SHAFT AR XW 30.10 N	1,00			--
0032	VTVR06364	00006364	KEY 8 X7 X40	1,00			--
0033	MFVR40032		PUMP CRANKCASE AR RW	1,00			--
0034	PVVR40150		OIL CAP AR SHP	1,00			--
0035	PVVR19238	00019238	OIL INDICATOR XTS	1,00			--
0036	VTAE19239	00019239	SEEGER 0,5 X25,35X16,0	1,00			--
0037	S GUGO40020		O-RING D. 132 X 3 NBR 70SH	1,00			--
0038	VTVT09913	00009913	SCREW TCEI 6X16 UNI5931	6,00			--
0039	MFVR40034		CRANKASE COVER AR RW	1,00			--
0040	PVVR40199		DISC CONTRASTO POMPA RW	1,00			--
0041	GUGO19395	00019395	O-RING D. 20.24 X 2.62 NBR 70SH	1,00			--



Ref. K	Part n.	Customer part n.	Description	Quantity	Validity		Price
					From	To	
0042	S	GUGO11229	00011229	OIL SEAL 30X 52X 7 NBR70	1,00		--
0043	S	GUGO40019		OIL SEAL RW	3,00		--
0047		MFVR40033		CRANKCASE COVER AR RW LAT. OPEN	1,00		--
0051	S	GUGO10379	00010379	O-RING D. 22 X 2 NBR 70SH	3,00		--
0075		PVVR40200		OIL INDICATOR RW	1,00		--
0076		GUGO01943	00001943	O-RING D. 34.6 X 2.62 NBR 70SH	1,00		--
0077		PVVR40202		DISC CONTRASTO POMPA RW	1,00		--
0078		VTAE40004		SEEGER 0,5 X40,40X30,0	1,00		--
0079		PVVR40235		CAP 3/4G M XWL	1,00		--
0082		PVVR40099		CAP 3/8 M HRM	2,00		--



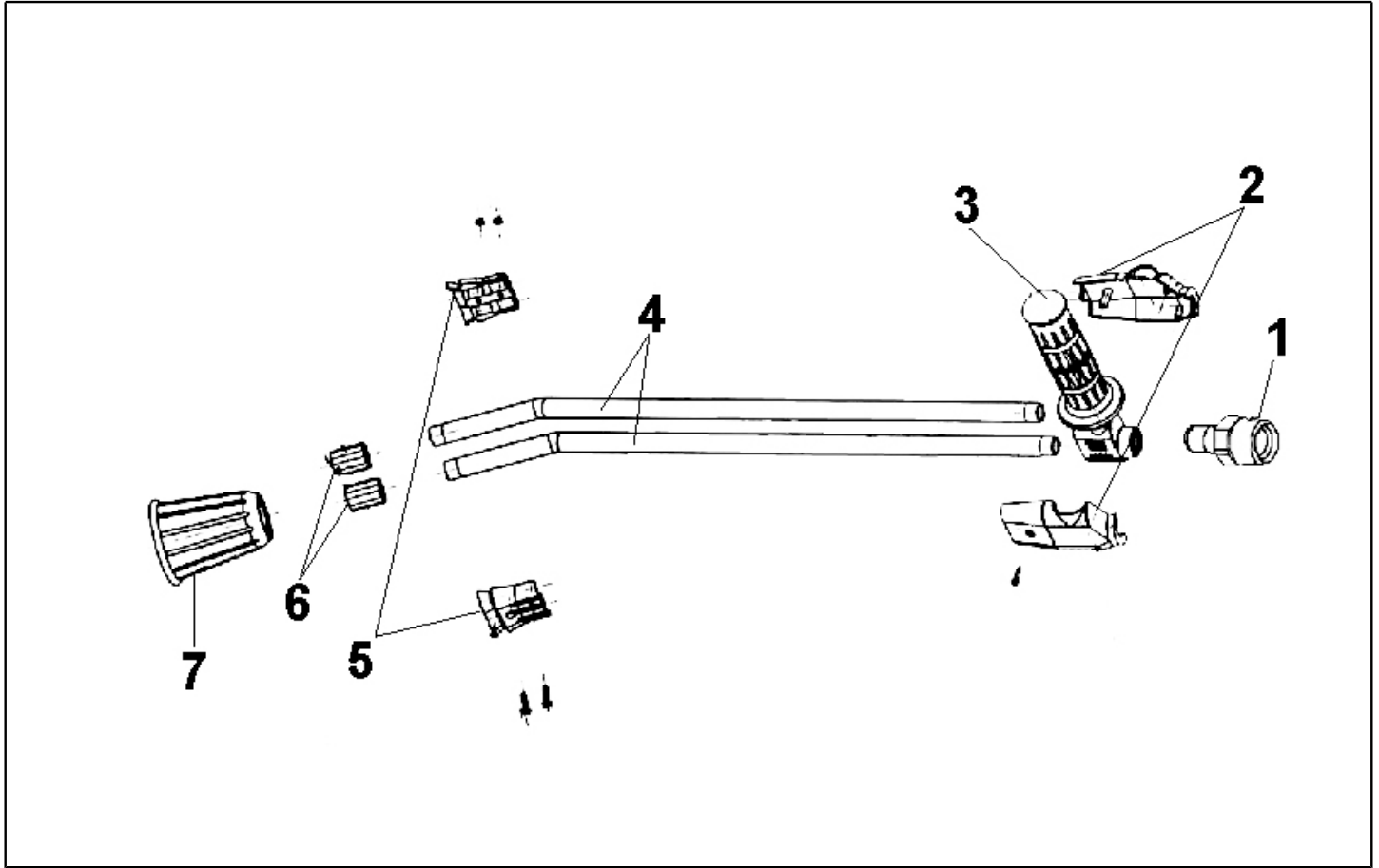
Ref. Part n.	Cust. part n.	Description	Reference	Price
K A	KTRI45173	KIT P 15-2780 XW	0005 0006	--
K B	KTRI40389	KIT P 15-1891 XW D.22	0019	--
K C	KTRI45175	KIT P 15-42906 XW	0025 0037 0042 0043	--
K E	KTRI40390	KIT P 15-2783 XW D.22	0012 0014 0016 0051	--
K H	KTRI40391	KIT P 15-2785 XW D.22	0013 0015	--



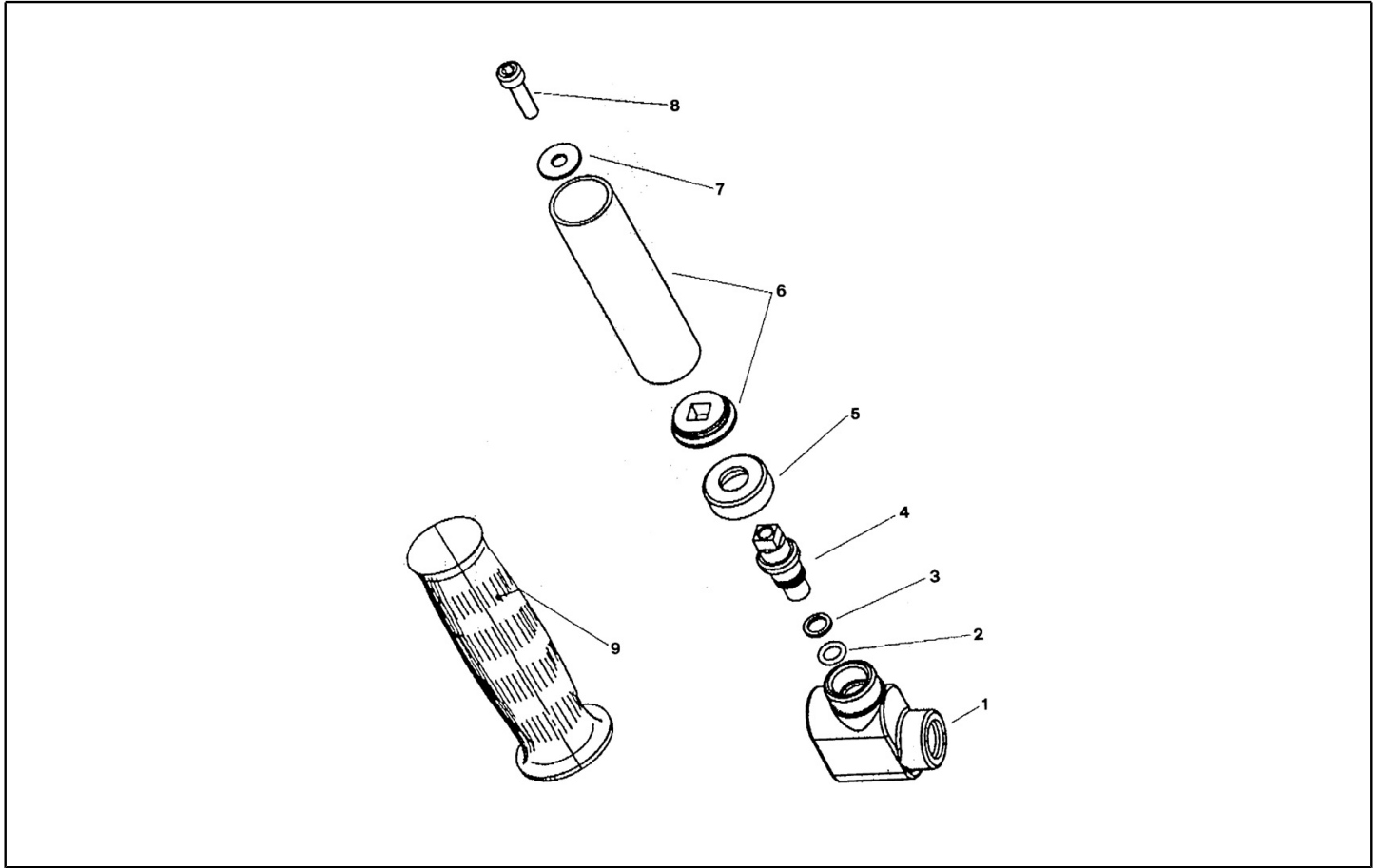
Ref. K	Part n.	Customer part n.	Description	Quantity	Validity		Price
					From	To	
0001	PVVR40381		GUN BODY G 5100 G1/4F	1,00			--
0002	S GUVR40074		ANTI-EXTR.RING D. 3 X 7.4X1.3	1,00			--
0003	S GUGO21835	00021835	O-RING D. 2.84 X 2.62 VIT. 80SH	1,00			--
0004	PVVR40382		PISTON GUIDE G 5100	1,00			--
0005	S PVVR40112		BALL SEAT G 5000	1,00			--
0006	S SFVR40002		BALL D.11/32" ALL GR16	1,00			--
0007	MLML40016		SPRING D. 9.4 x21.5x1.6 G5000	1,00			--
0008	GUGO12322	00012322	O-RING D. 14 X 1.78 NBR 90SH	1,00			--
0009	PVVR40383		CONNECTOR COLL.G5100 1/4F	1,00			--
0010	VTRS40017		WASHER D. 8.2X11,4X1.00	4,00			--
0011	PVVR40384		TUBE G 1/4" L.105	1,00			--
0012	RCIN40022		CONNECTOR SWIV G5100 1/4F	1,00			--
0013	MPVR40819		RING NUT G 5100 SW. BK.	1,00			--
0014	RCIN40021		JOINT SWIV 5100 M22	1,00			--
0015	S GUVR40075		ANTI-EXTR.RING D. 10 X14X1.5	1,00			--
0016	S GUVR40076		ANTI-EXTR.RING D. 11.2X14X1.2	1,00			--
0017	S GUGO15295	00015295	O-RING D. 10.82 X 1.78 VIT 80SH	1,00			--
0018	PVVR40386		SCREW SW. G 5100	1,00			--
0019	VTVR40047		PLUG D. 4X29	2,00			--
0020	MPVR40820		TRIGGER G 6000-SW	1,00			--
0021	MPVR40821		SAFETY-DEVICE G 6000-SW	1,00			--
0022	MPVR40822		SHELL G 6000-SW DX	1,00			--
0023	MPVR40823		PLATE G 6000 GR.DX	1,00			--
0024	PVVR40387		SMALL PISTON G 5100	1,00			--
0025	MLML40029		SPRING G 5100	1,00			--
0026	MPVR40824		SHELL G 6000-SW SX	1,00			--
0027	MPVR40825		PLATE G 6000 GR.SX	1,00			--
0028	VTVT40043		SCREW AF 4X 14 HILO ZN.N	12,00			--
0029	LCPR40086		TUBE 1/4 L=420 ZC. 0°	1,00			--
0030	MPVR40493		CONNECTOR G 5100-SW	1,00			--
0031	MPVR40494		PROTECTION P 420 C/AN.	1,00			--
0035	MPVR40198		CAP G 5000	1,00			--
0036	MPVR40495		CAP G 5100 REM.	1,00			--
0037	PVVR40119		CONNECTION M22X1,5 IRV G5000	1,00			--
0038	RCIN40009		GUDGEON G 1/4 F IRV G5000	1,00			--
0039	GUVR40034		ANTI-EXTR.RING D. 10 X14	1,00			--
0040	GUGO01946	00001946	O-RING D. 9.13 X 2.62 VIT 70SH	1,00			--



Ref. Part n.	Cust. part n.	Description	Reference	Price
KTRI40243		KIT P 26- 26 SWIVEL G 5100	0015 0016 0017	--
KTRI40414		KIT P 26- 34 G 6000	0002 0003 0005 0006	--



Ref. K	Part n.	Customer part n.	Description	Quantity	Validity		Price
					From	To	
0001	PVVR45296	00045296	COUPLING G 1/4M -M22 M +PR.PLS	1,00			--
0002	MPVR45214	00045214	PROTECTION TB.1/4 MTM	1,00			--
0003	RCGR45737	00045737	TAP 1/8 F LD MTM	1,00			--
0004	LCPR45740	00045740	TUBE 1/8 L=660 INOX MTM	2,00			--
0005	MPVR45001	00045001	SHELL LD MTM	1,00			--
0006	RCVR45741	00045741	NOZZLE HOLDER 1/4-1/8 F MTM	2,00			--
0007	PVVR43810	00043810	PROTECTION L.D. MTM	1,00			--



Ref. K	Part n.	Customer part n.	Description	Quantity	Validity		Price
					From	To	
0001	RCGR41556	00041556	TAP BODY L.DOP. 1/8" MTM	1,00		08/03/2010	--
0001	PVVR40132		VALVE BODY L.DP 1/4F-1/8FF CP.	1,00	09/03/2010		--
0002	GUGO10330	00010330	O-RING D. 6.07 X 1.78 VIT 70SH	1,00		08/03/2010	--
0003	GUVR41551	00041551	ANTI-EXTR.RING SR 010	1,00		08/03/2010	--
0004	PVVR41553	00041553	SMALL PISTON L.DP. MTM	1,00		08/03/2010	--
0005	PVVR41555	00041555	RING NUT L.DOP. MTM	1,00		08/03/2010	--
0006	LAFN41552	00041552	PIPE D. 22 MTM	1,00			--
0007	VTRS15958	00015958	WASHER UNI 6592 5X15X1,5 ZB	1,00			--
0008	VTVT17639	00017639	SCREW TCEI M 5X10 UNI 5931	1,00			--
0009	MPVR41554	00041554	KNOB D. 22 MTM	1,00			--