

**Integrated Professional Cleaning**



**IPC Foma**



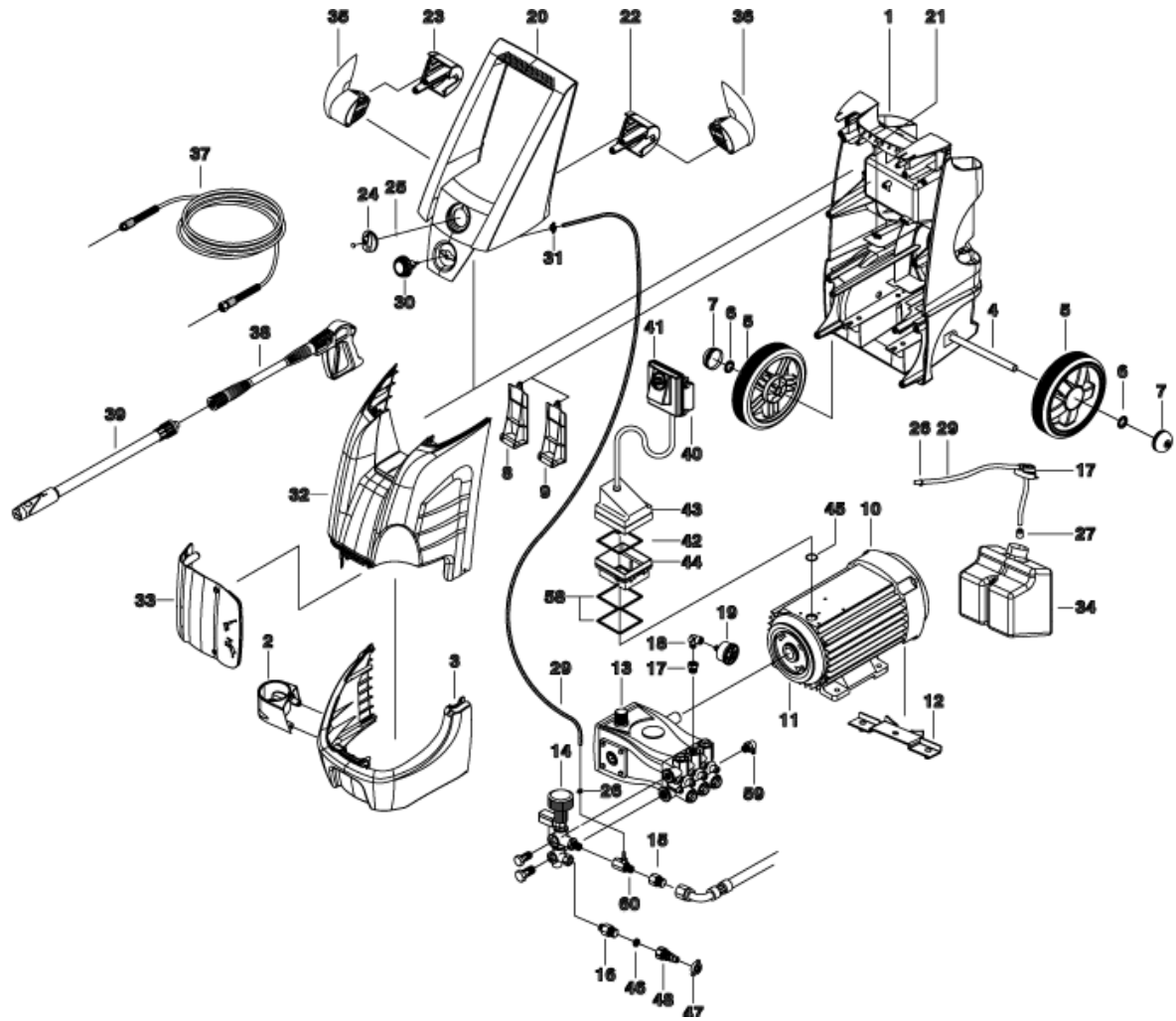
**IPC Sverige**

## Spare Parts List

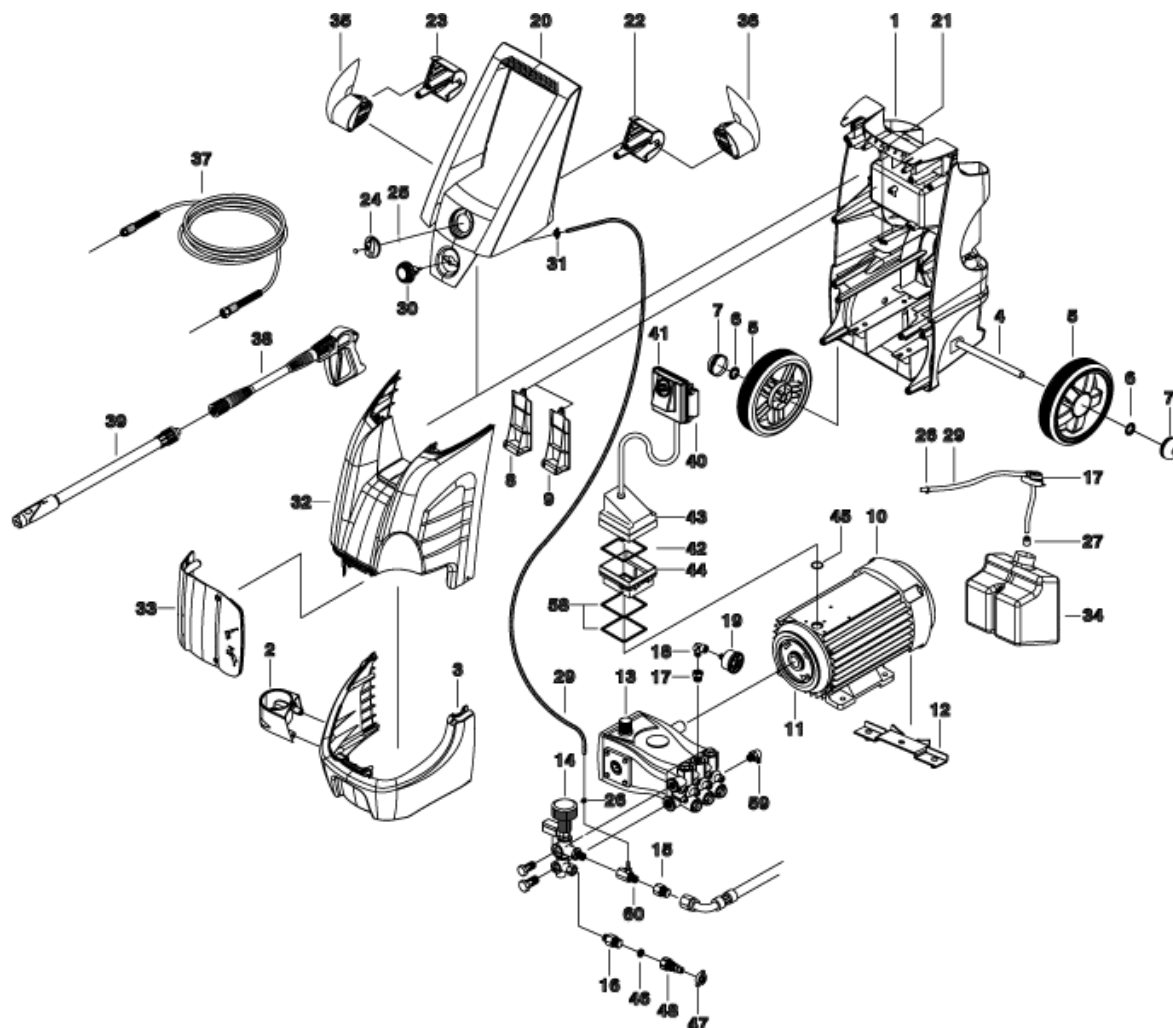
FOMA NORGE AS

Ref: IDAF94168

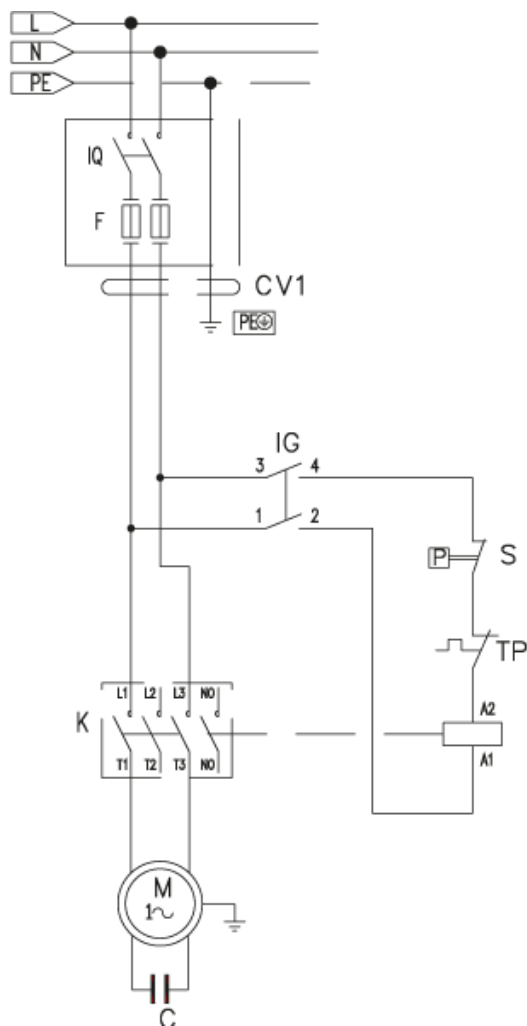
Model: IDROP PW-C25 I1310P4 M 230/50 3-09IPC



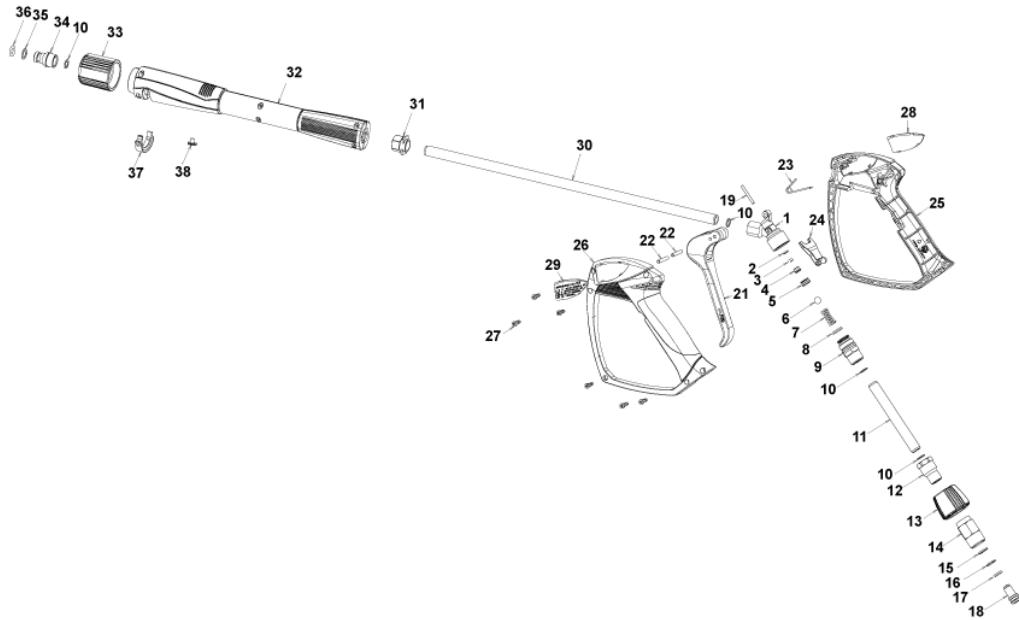
Ref.	K	Part N.	Customer Part N.	Description	Qty	Validity:		Price
						From	To	
0001		MPVR94335		FRAME "SERIE G-LINE" M90	1,00			--
0002		MPVR94333		SUPPORT LANC."G-LINE" NERO	1,00	08/2012		--
0003		MPVR94331		BAND ANT. "G-LINE" NERA	1,00			--
0004		LAFN92146		WHEELS AXLE G LINE. AC ZC.	1,00	05/2012		--
0005		RTRT91967		WHEEL D.200 "SERIE G" GRIGIA	2,00			--
0006		VTRS60945		WASHER D.15	2,00			--
0007		MPVR91970		GREY HUB CAP "SERIE G"	2,00			--
0008		MPVR93244		PLATE TELAIO "SERIE G" DX	1,00			--
0009		MPVR93245		PLATE TELAIO "SERIE G" SX	1,00			--
0010		MOMO40029		1PH MOTOR C25/AC HP 3 230-50 4P	1,00			--
0011		MPVR13033		SPACER SIC H90	1,00		09/2012	--
0012		LAFN40533		MOTOR SUPPORT PW-C25 EME ZC.	2,00	11/2012		--
0013		PPAP40054		PUMP RC 10.12 DX N	1,00			--
0014		VVAZ40012		VALVE AR M.MATIC 4/B-RC+TS/I.FT	1,00	07/2012	10/2012	--
0014		VVAZ40047		VALVE AR M.MATIC 4/B-RC+TS/ 1.6	1,00	10/2012	12/2012	--
0014		VVAZ40058		VALVE AR M.MATIC 4/B-RC+TS SI.2	1,00	12/2012		--
0015		RCIN03753		MALE COUPLING M22-3/8 M-FA	1,00		07/2013	--
0016		RCDS87610		NIPPLE 3/4 - 1/2 CB D.13.0	1,00			--
0017		PVVR40183		CAP AR RC C/F. 1/8F+OR	1,00			--
0018		RCVR34780		ELBOW 1/8" M/F A10	1,00			--
0019		MNMN93800		PRESSURE GAUGE 1/8 POST. 0-300 D.40 S/ST	1,00			--
0020		MPVR92124		HANDLE "SERIE PRO" BOSCH	1,00			--
0021		MPVR60495		CLAMP HOBBY	1,00			--
0022		MPVR92113		HOSE WIND.SUPP."SERIE G" SX	1,00			--
0023		MPVR92114		HOSE WIND.SUPP.DX "SERIE G" S/AVTB	1,00			--
0024		MPVR93837		SWITCH KNOB "SERIE G"	1,00	04/2012		--
0025		GUGO01060		O-RING D. 9.92 X 2.62 NBR 70SH	1,00			--
0026		FSVR72803		CLAMP D 9.3 - 9.9	2,00			--
0027		MPVR60422		SUCTION FILTER DETERG.HOBBY 90	1,00			--
0028		MPVR91923		TANK CAP "G160"	1,00			--
0029		TBBP93804		L.P. HOSE D. 6 - 9	1,07	09/2012		--
0030		MPVR93459		WING NUT RUBINETTO 3VIE H122	1,00			--
0031		RCGR93687		TAP "G" TAMP. 1T	1,00			--
0032		MPVR94330		GREEN COVER "G-LINE" P.368C	1,00			--
0033		MPVR94332		FRONT PANEL "G-LINE" TRASPARENTE	1,00			--
0034		MPVR92133		DETERGENT TANK "SERIE G" LT 3	1,00			--
0035		MPVR92116		HOOK "SERIE G" DX	1,00			--
0036		MPVR92117		HOOK "SERIE G" SX	1,00			--
0037		TBAP28305		H.P. HOSE SAE MT 8 D.6 IRV F-F KSM	1,00			--



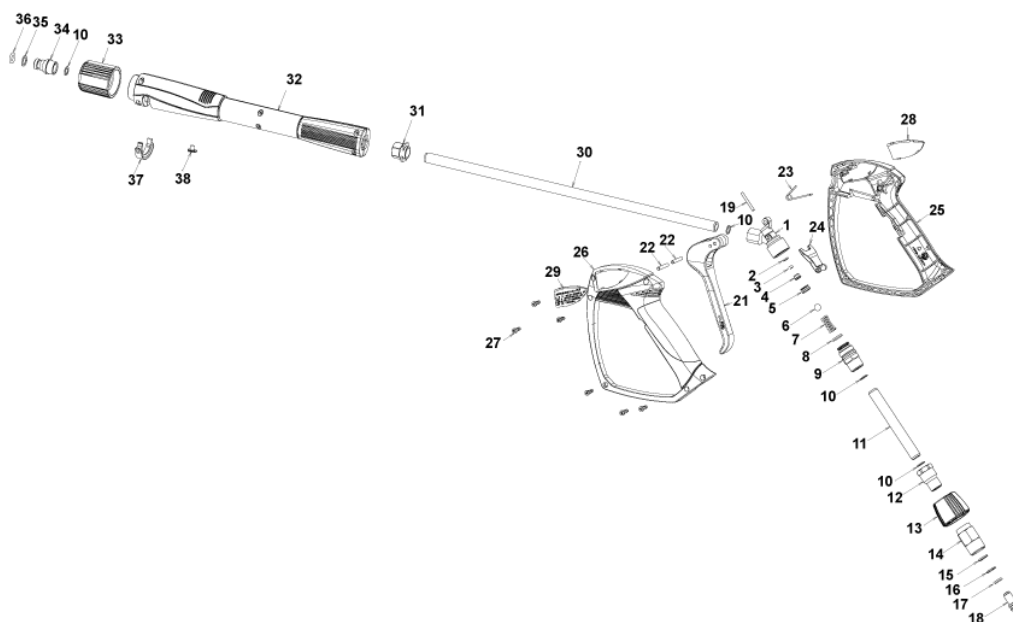
Ref. K	Part N.	Customer Part N.	Description	Qty	Validity:		Price
					From	To	
0038	IPPR40010		GRIP G 5100+P.330 +M22 SW.M V	1,00			--
0039	LCPR40049		EXTENSION P 580 - T10P 1.40 Bei	1,00	12/2012		--
0039	LCPR40057		EXTENSION P 580 - T10P 1.20 GI	1,00		12/2012	--
0040	MPVR91921		BUSHING SCAT.EL. SERIE "G"	1,00			--
0041	MPVR91919		BOX COVER "G160"	1,00			--
0042	GUGO33675		JOINT MOUSSE D. 4	0,40	08/2012		--
0042	GUVR82555		JOINT D. 4	0,40		07/2012	--
0043	MPVR93776		COVER SC.EL. G200X	1,00		09/2012	--
0043	MPVR80674		COVER SC.EL. FT200 S2	1,00	09/2012		--
0044	MPVR81806		BASE-SUPPORT SC.EL. FT200 M100 TST	1,00	09/2012	09/2012	--
0044	MPVR40425		BUSHING PWC25 M90 C/F.DS.M.	1,00	09/2012		--
0045	MPVR93843		BASE COVER INT. SIGN. +PROTEZ.	1,00	09/2012		--
0046	FTAC91274		WATER FILTER 3/4 M.F.	1,00			--
0047	RCVR29602		CONNECTOR D. 1/2"-5/8" PTC	1,00			--
0048	RCVR29600		SOCKET PTC 3/4 F	1,00			--
0060	EIDT40007		EJECTOR 3/8 F/M D.1.8 MV300	1,00	12/2012	07/2013	--
0060	EIDT40009		EJECTOR M22-3/8 M/F D.1.8 MV300	1,00	07/2013		--



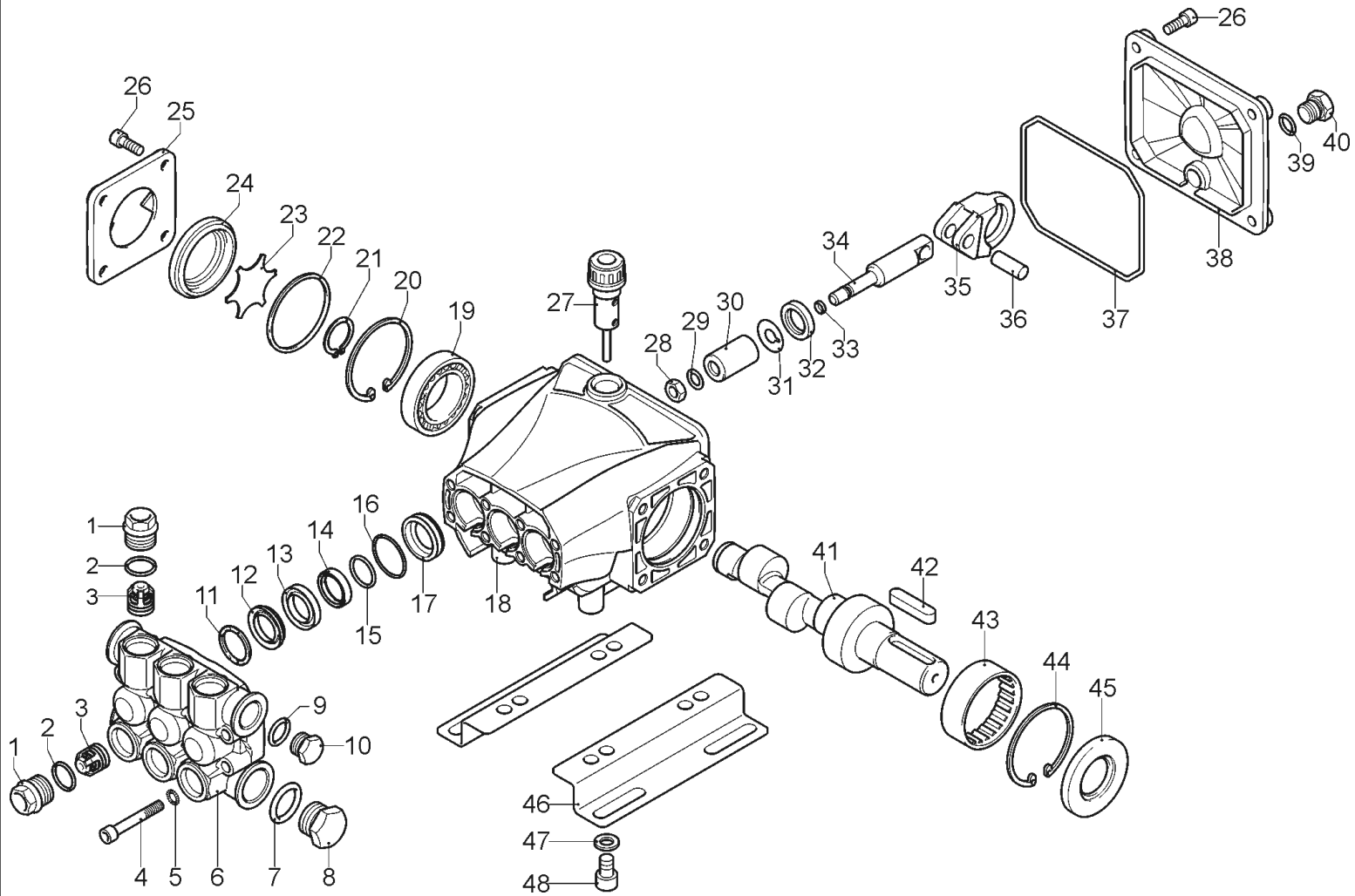
Ref.	K	Part N.	Customer Part N.	Description	Qty	Validity:		Price
						From	To	
C		MECO61717		CAPACITOR 60 MF 400/450V	1,00	09/2012		--
K		METT43231		CONTACTOR SIE 3RT 1016 1AP01 230V	1,00	09/2012		--
IG		MECI93803		SWITCH AQUA 3022/56 A AC + HOLE	1,00			--
CV1		MECB93899		CABLE H05VVF 3X1,5 MT 5,5 +SCH	1,00	09/2012		--
0024		GUGO40147		GASKET SLX FP	1,00	09/2012		--
0058		GUGO40014		GASKET FTP -MEC 90	1,00	11/2012		--



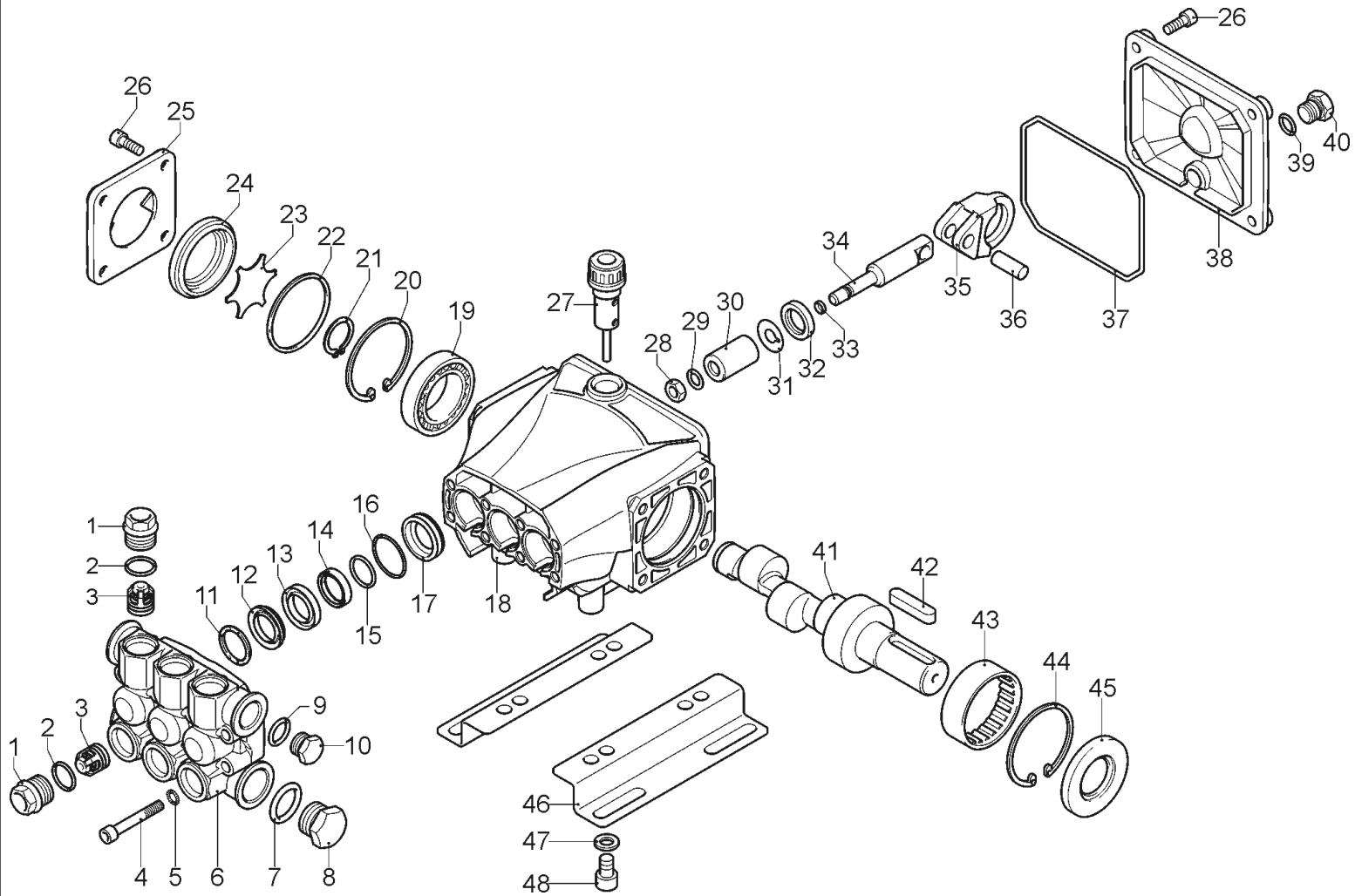
Ref.	K	Part N.	Customer Part N.	Description	Qty	Validity:		Price
						From	To	
0001		PVVR40381		GUN BODY G 5100 G1/4F	1,00			--
0002	S	GUVR40074		ANTI-EXTR.RING D. 3 X 7.4X1.3	1,00			--
0003	S	GUGO21835		O-RING D. 2.84 X 2.62 VIT. 80SH	1,00			--
0004		PVVR40382		PISTON GUIDE G 5100	1,00			--
0005	S	PVVR40112		BALL SEAT G 5000	1,00			--
0006	S	SFVR27026		BALL D.11/32" INX	1,00			--
0007		MLML40016		SPRING D. 8.5 G 5000	1,00			--
0008		GUGO12322		O-RING D. 14 X 1.78 NBR 90SH	1,00			--
0009		PVVR40383		CONNECTOR COLL.G5100 1/4F	1,00			--
0010		VTRS40017		WASHER D. 8,2X11,4X1,00 AL	4,00			--
0011		PVVR40384		TUBE G 1/4" L.105	1,00			--
0012		RCIN40022		CONNECTOR SWIV G5100 1/4F	1,00			--
0013		MPVR40486		RING NUT G 5100 SW. GR.	1,00			--
0014		RCIN40021		JOINT SWIV 5100 M22	1,00			--
0015	S	GUVR40075		ANTI-EXTR.RING D. 10 X14X1.5	1,00			--
0016	S	GUVR40076		ANTI-EXTR.RING D. 11.2X14X1.2	1,00			--
0017	S	GUGO15295		O-RING D. 10.82 X 1.78 VIT 80SH	1,00			--
0018		PVVR40386		SCREW SW. G 5100	1,00			--
0019		PVVR40387		SMALL PISTON G 5100	1,00			--
0021		MPVR40487		TRIGGER G 5100-SW	1,00			--
0022		VTVR40047		PLUG D. 4X29	2,00			--
0023		MLML40029		SPRING G 5100	1,00			--
0024		MPVR40488		SAFETY-DEVICE G 5100-SW	1,00			--
0025		MPVR40488		SAFETY-DEVICE G 5100-SW	1,00			--
0026		MPVR40490		SHELL G 5100-SW SX	1,00			--
0027		VTVT40043		SCREW AF 4X 14 HILO ZN.N	6,00			--
0028		MPVR40491		PLATE G 5100 GR.DX	1,00			--
0029		MPVR40492		PLATE G 5100 GR.SX	1,00			--
0030		LCPR40086		TUBE 1/4 L=420 ZC. 0°	1,00			--
0031		MPVR40493		CONNECTOR G 5100-SW	1,00			--
0032		MPVR40494		PROTECTION P 420 C/AN.	1,00			--
0033		PVVR40119		CONNECTION M22X1,5 IRV G5000	1,00			--
0034		RCIN40009		GUDGEON G 1/4 F IRV G5000	1,00			--
0035		GUVR40034		ANTI-EXTR.RING D. 10 X14	1,00			--
0036		GUGO01946		O-RING D. 9.13 X 2.62 VIT 70SH	1,00			--
0037		MPVR40495		CAP G 5100 REM.	1,00			--
0038		MPVR40198		CAP G 5000	1,00			--



Ref. Part N.	Cust. Part N.	Description	Reference	Price
KTRI40242	KIT P	26- 25 G 5100	0002 0003 0005 0006	--
KTRI40243	KIT P	26- 25 SWIVEL G 5100	0015 0016 0017	--

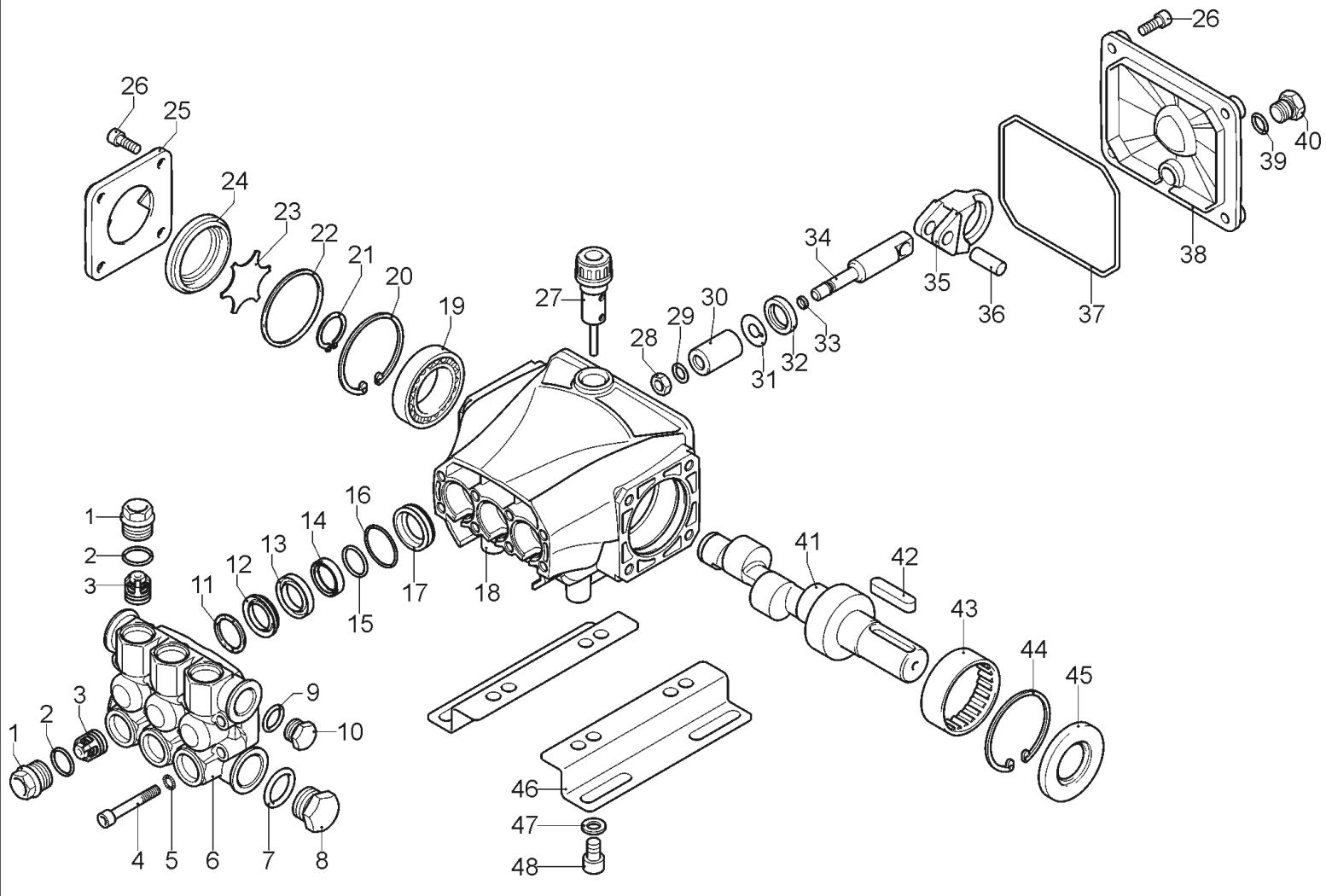


Ref.	K	Part N.	Customer Part N.	Description	Qty	Validity:		Price
						From	To	
0001		PVVR40120		CAP AR RC	6,00			--
0002		GUGO03505		O-RING D. 15.6 X 1.78 NBR 70SH	6,00			--
0003	S	VVAM40002		VALVE UNIT RC	3,00	08/2012		--
0003	S	VVAM40002		VALVE UNIT RC	6,00		08/2012	--
0003	S	VVAM40007		VALVE UNIT RC ASP. BK	3,00	08/2012		--
0004		VTVT01531		SCREW TE 6X 16 UNI 5739	8,00			--
0005		VTRS00503		WASHER D. 6 TE UNI 6798	8,00			--
0006		MFVR40019		HEAD AR RC OT.	1,00			--
0007		GUGO19245		O-RING D. 17.5 X 2 NBR 70SH	1,00			--
0008		PVVR40121		CAP 1/2 M RC	1,00			--
0009		GUGO09720		O-RING D. 14 X 1.78 NBR 70SH	1,00			--
0010		PVVR40099		CAP 3/8 M HRM	1,00			--
0011	S	PVVR40122		HEAD RING D. 18 RC	3,00			--
0012	S	GUVR40035		PACKING D. 18 RC H.P.	3,00			--
0013		PVVR40123		INTERMED. RING D. 18 RC	3,00			--
0014	S	GUVR40036		PACKING D. 18 RC L.P.	3,00			--
0015	S	GUVR40037		ANTI-EXTR. RING D.20	3,00			--
0016	S	GUGO19290		O-RING D. 23.52 X 1.78 NBR 70SH	3,00			--
0017		PVVR40124		PACKING RETAIN.D. 18 RC	3,00			--
0018		MFVR40020		PUMP CRANKCASE AR RC	1,00			--
0019		CUVR28336		BALL BEARING 6304	1,00			--
0020		VTAE32478		CIRCLIP D. 32 UNI 7437	1,00			--
0021		VTAE06193		CIRCLIP D. 20 UNI 7435	1,00			--
0022		GUGO02561		O-RING D. 47.5 X 2.62 NBR 70SH	1,00			--
0023		PVVR40125		DISC RC	1,00			--
0024		PVVR40126		OIL INDICATOR RC	1,00			--
0025		MFVR40021		CRANKCASE COVER AR RC LT.	1,00			--
0026		VTVT01531		SCREW TE 6X 16 UNI 5739	8,00			--
0027		PVVR19231		OIL CAP XTS	1,00			--
0028		VTDD00483		NUT M 8 ZIN UNI 5588	3,00			--
0029		VTRS19394		WASHER D. 8X13X0.5	3,00			--
0030	S	PIVR40005		PISTON D.18X30 RC	3,00			--
0031		PVVR19233		DISC XTS	3,00			--
0032	S	GUGO09690		OIL SEAL 15X 24X 5 NBR70	3,00			--
0033		GUGO08071		O-RING D. 4.48 X 1.78 NBR 70SH	3,00			--
0034		PVVR40127		PISTON GUIDE RC	3,00			--
0035		BLVR40001		CONNECTING ROD RC	3,00			--
0036		PVVR40128		GUIDEON D. 9X23 RC	3,00			--
0037		GUGO18695		O-RING D. 101.27 X 2.62 NBR 70SH	1,00			--

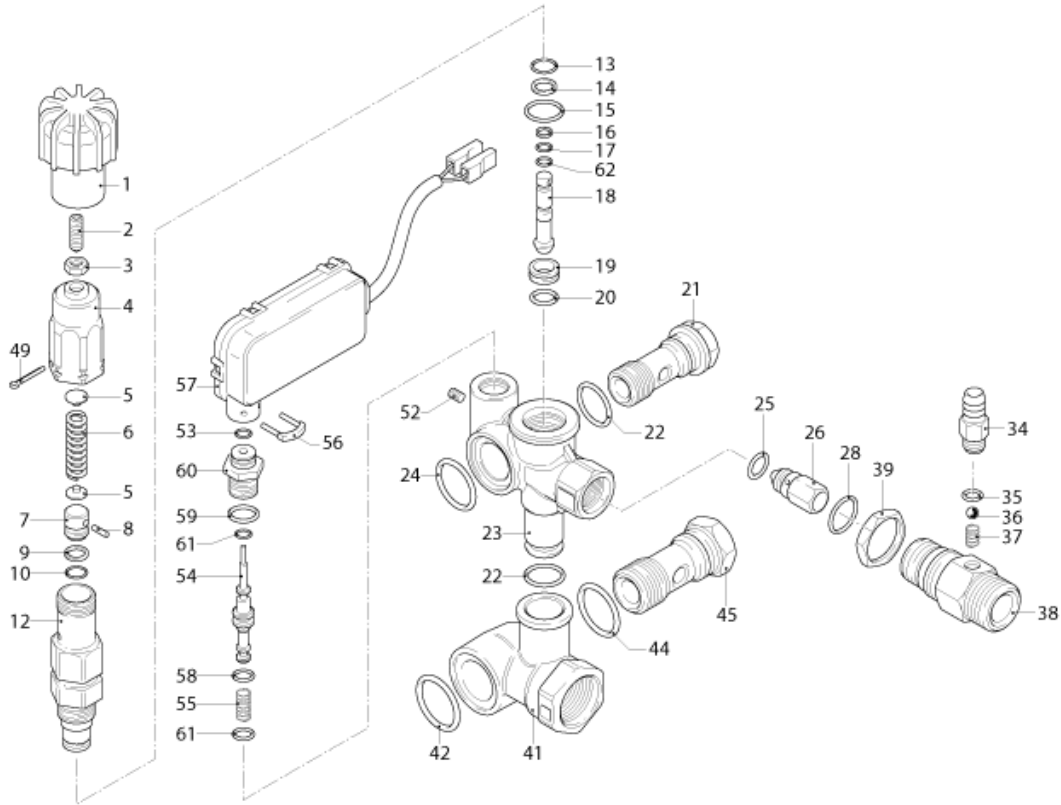


Ref.	K	Part N.	Customer Part N.	Description	Qty	Validity:		Price
						From	To	
0038		MFVR40022		CRANKASE COVER AR RC	1,00			--
0039		GUGO01036		O-RING D. 10.82 X 1.78 NBR 70SH	1,00			--
0040		PVVR40129		CAP 3/8 M RC	1,00			--
0041		ALMO40007		SHAFT AR RC 10LT VRS. N	1,00			--
0042		VTVR41531		KEY 8X 7X35 UNI 6604A	1,00			--
0043		CUVR23636		ROLLER BEARING HK 4516	1,00			--
0044		VTAE06193		CIRCLIP D. 20 UNI 7435	1,00			--
0045	S	GUGO00999		OIL SEAL 25X 52X 7 NBR70	1,00			--

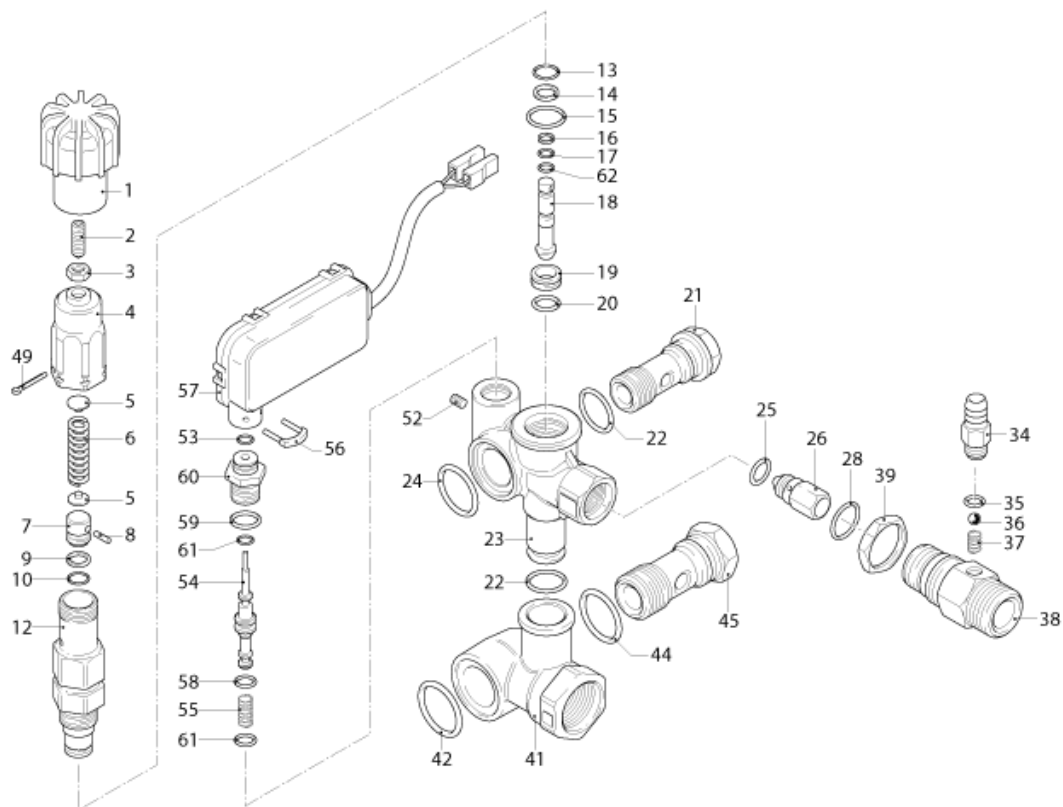




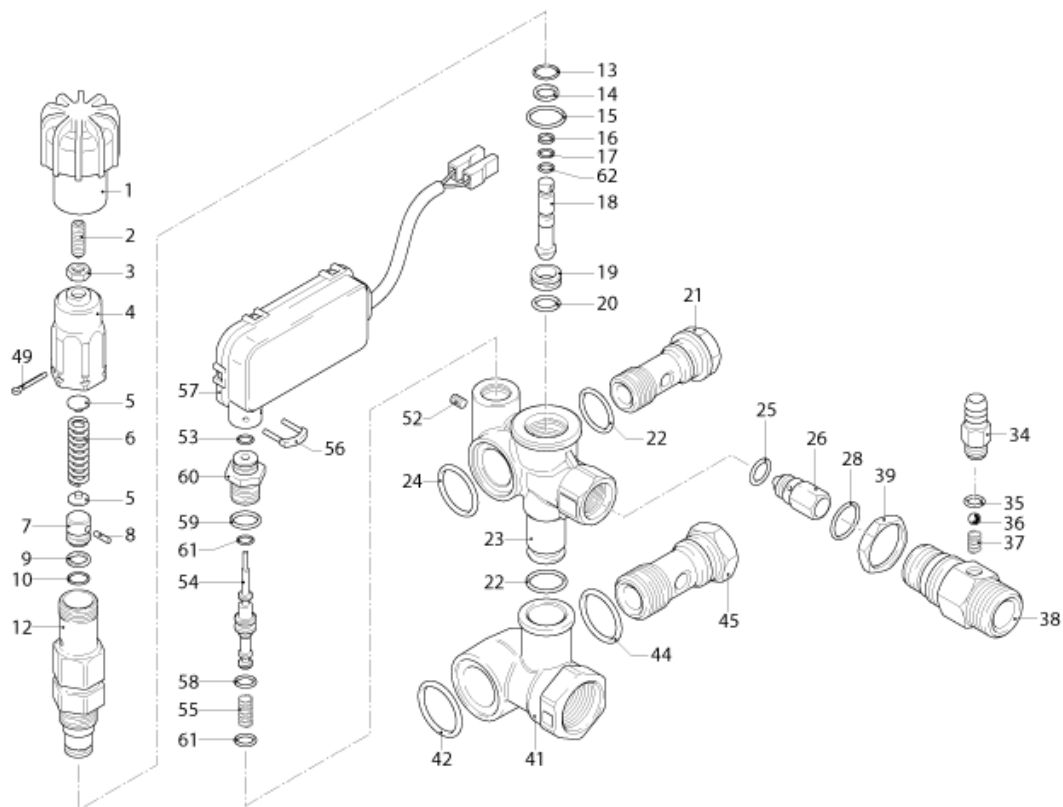
Ref. Part N.	Cust. Part N.	Description	Reference	Price
KTRI40092	KIT P	15-2186 RC	0003	--
KTRI40093	KIT P	15-42467 RC	0030	--
KTRI40094	KIT P	15-42464 D.18 RC	0012 0014 0015 0016	--
KTRI40095	KIT P	15-2745 D.18 RC	0011	--
KTRI40096	KIT P	15-42468 RC	0032 0045	--
KTRI40207	KIT P	15-41341 RC 3+3 BL./WH.	0003 0003	--



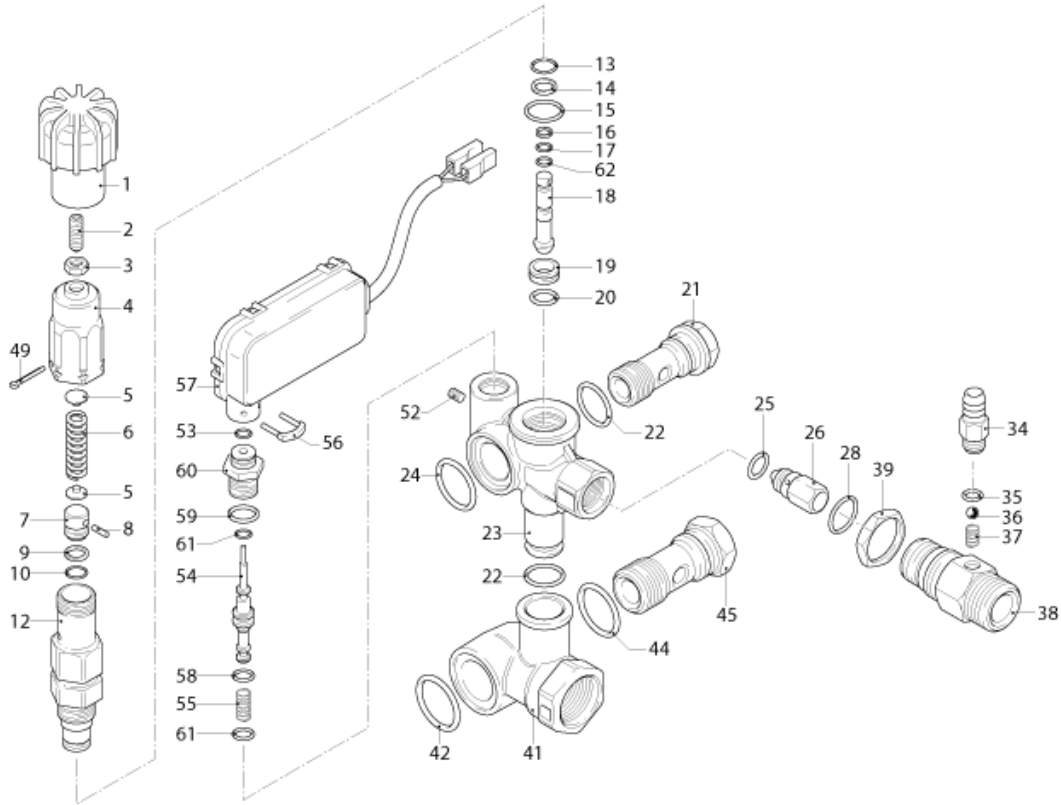
Ref.	K	Part N.	Customer Part N.	Description	Qty	Validity:		Price
						From	To	
0001		PVVR40227		KNOB M.MT/4B	1,00			--
0002		VTVT19524		SCREW EI-ST 6X16 UNI 5923	1,00			--
0003		VTDD00482		NUT M 6 ZIN UNI 5588	1,00			--
0004		PVVR40236		KNOB M.MT/4B	1,00			--
0005		PVVR40067		SPRING PLATE AR XJS	2,00			--
0006		MLML40007		SPRING D. 10.8X48.9 D.2.8 XJS	1,00			--
0007	S	PVVR40068		SMALL PISTON AR XJS SP.	1,00			--
0008	S	VTVR19193		PLUG D. 2.5X10	2,00			--
0009	S	GUVR40026		ANTI-EXTR.RING D. 8	1,00			--
0010	S	GUGO06988		O-RING D. 7.66 X 1.78 NBR 70SH	1,00		06/2013	--
0010		GUGO40179		O-RING D. 8 X 2 NBR 70SH	1,00	07/2013		--
0012	S	PVVR40069		PISTON GUIDE AR XJS	1,00		06/2013	--
0012		PVVR40385		PISTON GUIDE AR XJS 2V.	1,00	07/2013		--
0013	S	GUGO09720		O-RING D. 14 X 1.78 NBR 70SH	1,00			--
0014	S	GUGO12490		O-RING D. 8.74 X 1.78 NBR 70SH	1,00			--
0015	S	GUGO02259		O-RING D. 15.54 X 2.62 NBR 70SH	1,00			--
0016	S	GUVR40027		ANTI-EXTR.RING D. 3.7	1,00			--
0017	S	GUGO19189		O-RING D. 2.90 X 1.78 NBR 70SH	1,00			--
0018	S	PVVR40070		CONTROL PISTON AR XJS IF.	1,00			--
0019	S	PVVR40071		VALVE SEAT AR XJS	1,00			--
0020	S	GUGO41692		O-RING D. 9 X 1 NBR 70SH	1,00			--
0021		RCDS40068		SCREW G 3/8 M.MATIC 4/B OT.	1,00			--
0022		GUGO01047		O-RING D. 11.91 X 2.62 NBR 70SH	2,00			--
0023		PVVR40134		VALVE BODY M.MATIC 4/B TSS	1,00			--
0024		GUGO19395		O-RING D. 20.24 X 2.62 NBR 70SH	1,00			--
0025	S	GUGO12494		O-RING D. 4 X 2.5 -NBR 70SH	1,00			--
0026	S	PVVR40074		COUPLING N.RIT. XJS	1,00			--
0027	S	MLML32257		SPRING D. 6.5 X14 D.0.5	1,00		06/2013	--
0028	S	GUGO11652		O-RING D. 12.42 X 1.78 NBR 70SH	1,00			--
0029		PVVR40153		RING AR M.MTC.	1,00			--
0030		PVVR40155		KNOB DET. M.MATIC	1,00			--
0031		GUGO03500		O-RING D. 6.75 X 1.78 NBR 70SH	1,00			--
0032		GUGO63403		O-RING D. 8.73 X 1.78 NBR 70SH	1,00			--
0033		PVVR40156		HOSE FITTING M.MATIC 4/B IN.RG.	1,00			--
0034		PVVR40135		HOSE FITTING M.MATIC 4/B IN.	1,00			--
0035		GUGO08071		O-RING D. 4.48 X 1.78 NBR 70SH	1,00			--
0036		SFVR04274		BALL D. 7/32	1,00			--
0037		MLML40008		SPRING D. 4	1,00			--
0038		RCDS40074		NIPPLE G 3/8 D. 2 M.MATIC 4/B	1,00			--



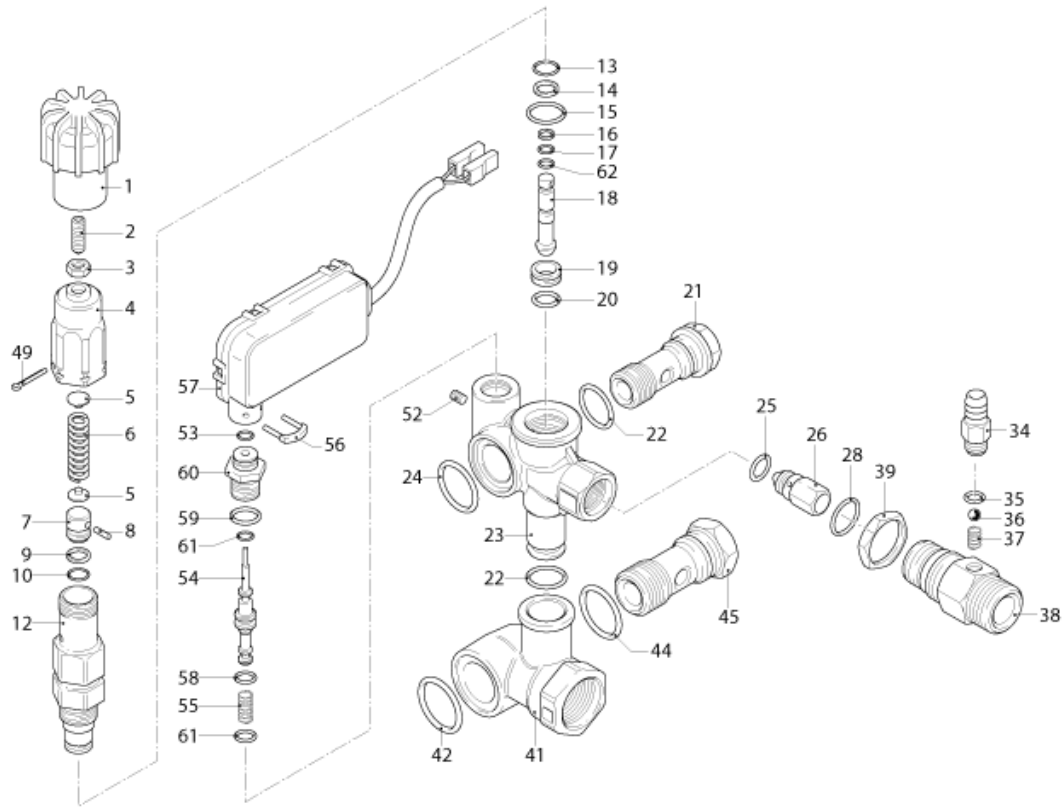
Ref.	K	Part N.	Customer Part N.	Description	Qty	Validity:		Price
						From	To	
0039		VTDD40003		LOCKNUT G 3/8	1,00			--
0041		PVVR40131		CONNECTOR M.MATIC 4/B	1,00			--
0042		GUGO76542		O-RING D. 23.47 X 2.62 NBR 70SH	1,00			--
0044		GUGO01058		O-RING D. 17.17 X 1.78 NBR 70SH	1,00			--
0045		RCDS40070		SCREW G 1/2 M.MATIC 4/B	1,00			--
0049		VTVR40025		SPLIT PIN D. 2,6X15	1,00			--
0052		VTVT40019		SCREW M 3X 5 EI-ST UNI 5923	1,00			--
0053		GUGO19207		O-RING D. 1.78 X 1.78 NBR 70SH	1,00			--
0054		PVVR40136		CONTROL PISTON AR TSS M.MTC	1,00			--
0055		MLML40017		SPRING D. 8.7 X15.9 D.1.2	1,00			--
0056		LAFN40212		PLUG "U" AR TSS	1,00			--
0057		MEPF40018		PRESSURE SWITCHAR TSS 220V N.A. L.430	1,00			--
0058		GUGO12489		O-RING D. 6.07 X 1.78 NBR 70SH	1,00			--
0059		GUGO03496		O-RING D. 9.25 X 1.78 NBR 70SH	1,00			--
0060		PVVR40137		PISTON GUIDE AR TSS M.MATIC	1,00			--
0061		GUGO40027		O-RING D. 2.90 X 1.78 NBR 90SH	2,00			--
0062	S	GUGO13640		O-RING D. 3.69 X 1.78 NBR 90SH	1,00			--



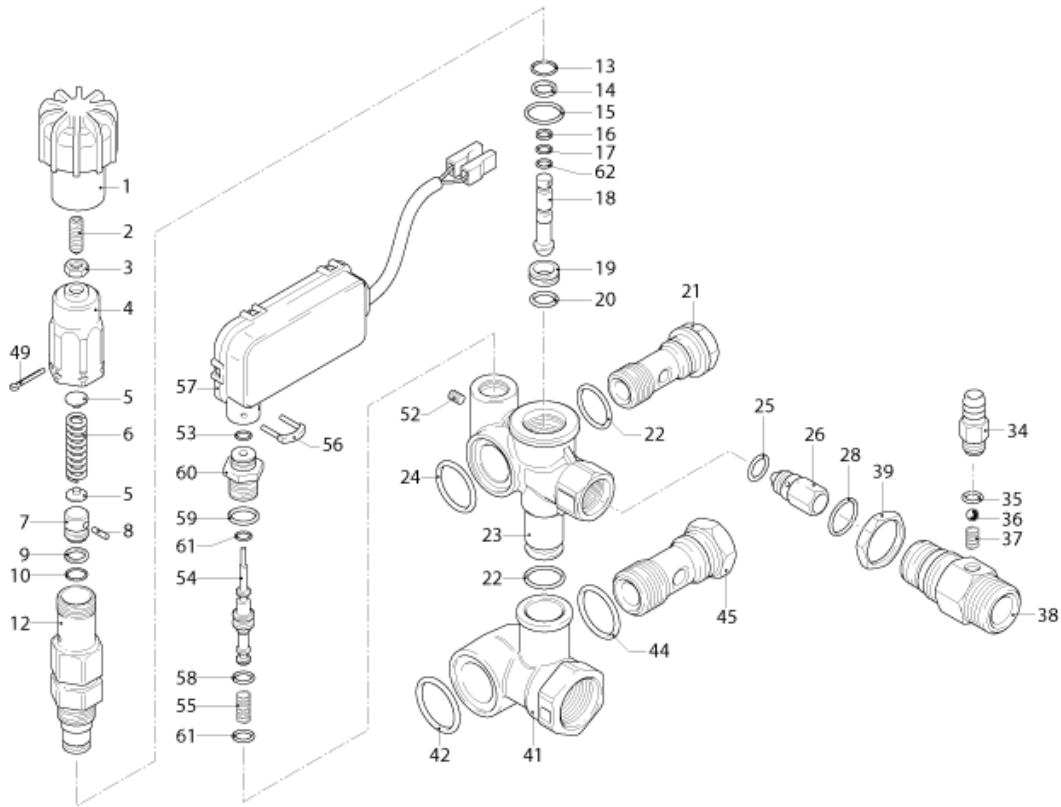
Ref. Part N.	Cust. Part N.	Description	Reference	Price
KTRI40127	KIT P	14-100 M.MATIC 4/B	0007 0008 0009 0010 0012 0013 0014 0015 0016 0017 0018 0019 0020 0062	--
KTRI40128	KIT P	14-101 M.MATIC 4/B CK.V.	0025 0026 0027 0028	--



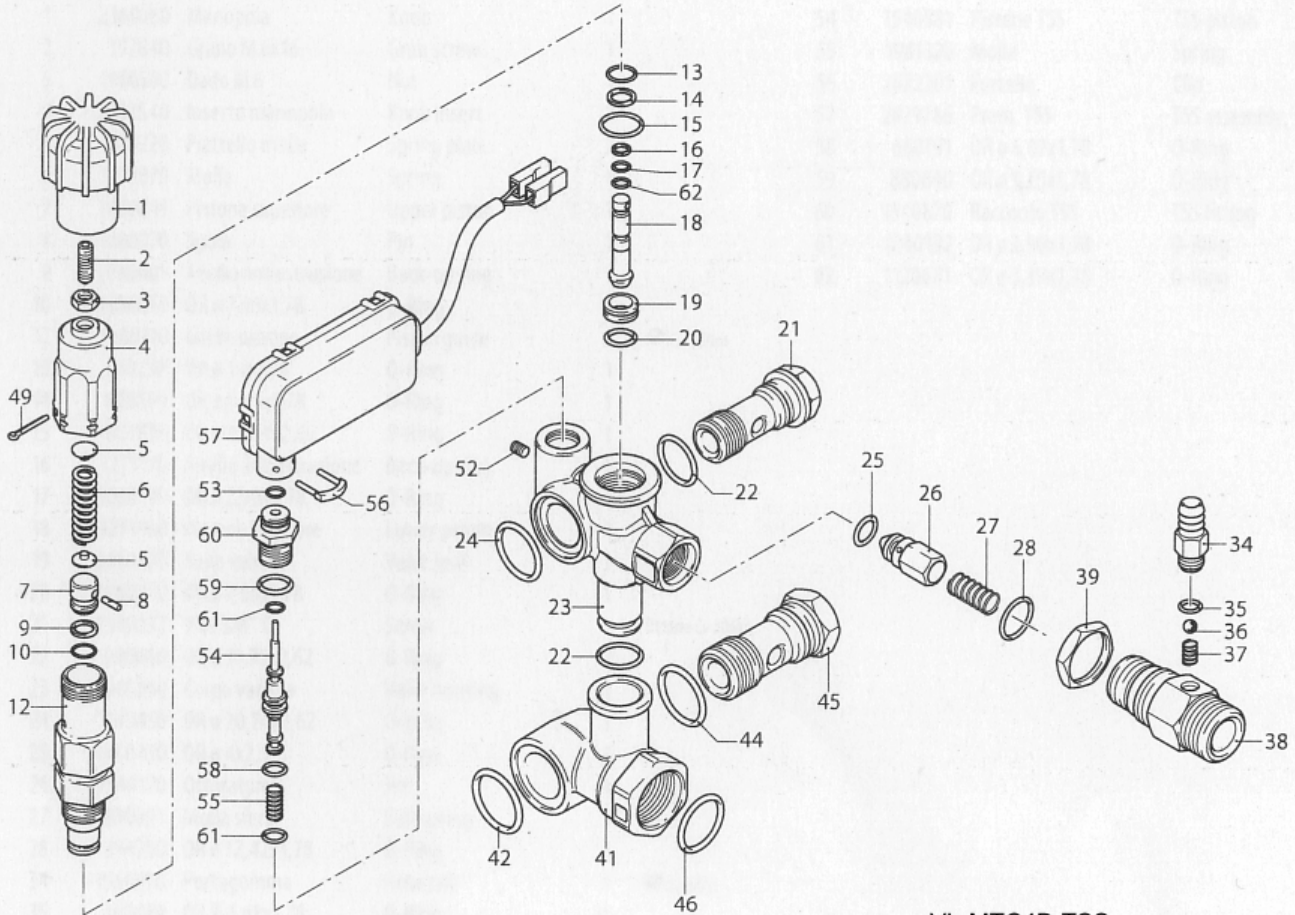
Ref.	K	Part N.	Customer Part N.	Description	Qty	Validity:		Price
						From	To	
0001		PVVR40227		KNOB M.MT/4B	1,00			--
0002		VTVT19524		SCREW EI-ST 6X16 UNI 5923	1,00			--
0003		VTDD00482		NUT M 6 ZIN UNI 5588	1,00			--
0004		PVVR40236		KNOB M.MT/4B	1,00			--
0005		PVVR40067		SPRING PLATE AR XJS	2,00			--
0006		MLML40007		SPRING D. 10.8X48.9 D.2.8 XJS	1,00			--
0007		PVVR40068		SMALL PISTON AR XJS SP.	1,00			--
0008		VTVR19193		PLUG D. 2.5X10	1,00			--
0009	S	GUVR40026		ANTI-EXTR.RING D. 8	1,00			--
0010	S	GUGO06988		O-RING D. 7.66 X 1.78 NBR 70SH	1,00		06/2013	--
0010	S	GUGO40179		O-RING D. 8 X 2 NBR 70SH	1,00	07/2013		--
0012		PVVR40069		PISTON GUIDE AR XJS	1,00		06/2013	--
0012		PVVR40385		PISTON GUIDE AR XJS 2V.	1,00	07/2013		--
0013	S	GUGO09720		O-RING D. 14 X 1.78 NBR 70SH	1,00			--
0014	S	GUGO63403		O-RING D. 8.73 X 1.78 NBR 70SH	1,00			--
0015	S	GUGO02259		O-RING D. 15.54 X 2.62 NBR 70SH	1,00			--
0016	S	GUVR40027		ANTI-EXTR.RING D. 3.7	1,00			--
0017	S	GUGO19189		O-RING D. 2.90 X 1.78 NBR 70SH	1,00			--
0018		PVVR40070		CONTROL PISTON AR XJS IF.	1,00			--
0019		PVVR40237		VALVE SEAT M.MT/4B	1,00			--
0020		GUGO06988		O-RING D. 7.66 X 1.78 NBR 70SH	1,00			--
0021		RCDS40068		SCREW G 3/8 M.MATIC 4/B OT.	1,00			--
0022	S	GUGO01047		O-RING D. 11.91 X 2.62 NBR 70SH	2,00			--
0023		PVVR40134		VALVE BODY M.MATIC 4/B TSS	1,00			--
0024	S	GUGO19395		O-RING D. 20.24 X 2.62 NBR 70SH	1,00			--
0025	S	GUGO12494		O-RING D. 4 X 2.5 -NBR 70SH	1,00			--
0026		PVVR40074		COUPLING N.RIT. XJS	1,00			--
0027		MLML32257		SPRING D. 6.5 X14 D.0.5	1,00		06/2013	--
0028	S	GUGO11652		O-RING D. 12.42 X 1.78 NBR 70SH	1,00			--
0034		PVVR40135		HOSE FITTING M.MATIC 4/B IN.	1,00			--
0035	S	GUGO08071		O-RING D. 4.48 X 1.78 NBR 70SH	1,00			--
0036		SFVR04274		BALL D. 7/32	1,00			--
0037		MLML40008		SPRING D. 4	1,00			--
0038		RCDS40184		NIPPLE G 3/8 D. 0 M.MATIC 4/B	1,00			--
0039		VTDD40003		LOCKNUT G 3/8	1,00			--
0041		PVVR40131		CONNECTOR M.MATIC 4/B	1,00			--
0042	S	GUGO76542		O-RING D. 23.47 X 2.62 NBR 70SH	1,00			--
0044	S	GUGO01058		O-RING D. 17.17 X 1.78 NBR 70SH	1,00			--
0045		RCDS40070		SCREW G 1/2 M.MATIC 4/B	1,00			--



Ref.	K	Part N.	Customer Part N.	Description	Qty	Validity:		Price
						From	To	
0049		VTVR40025		SPLIT PIN D. 2,6X15	1,00			--
0052		VTVT40019		SCREW M 3X 5 EI-ST UNI 5923	1,00			--
0053	S	GUGO19207		O-RING D. 1.78 X 1.78 NBR 70SH	1,00			--
0054		PVVR40136		CONTROL PISTON AR TSS M.MTC	1,00			--
0055		MLML40017		SPRING D. 8.7 X15.9 D.1.2	1,00			--
0056		LAFN40212		PLUG "U" AR TSS	1,00			--
0057		MEPF40018		PRESSURE SWITCHAR TSS 220V N.A. L.430	1,00			--
0058	S	GUGO12489		O-RING D. 6.07 X 1.78 NBR 70SH	1,00			--
0059	S	GUGO03496		O-RING D. 9.25 X 1.78 NBR 70SH	1,00			--
0060		PVVR40137		PISTON GUIDE AR TSS M.MATIC	1,00			--
0061	S	GUGO19189		O-RING D. 2.90 X 1.78 NBR 70SH	2,00			--
0062	S	GUGO40031		O-RING D. 3.39 X 1.78 NBR 70SH	1,00			--



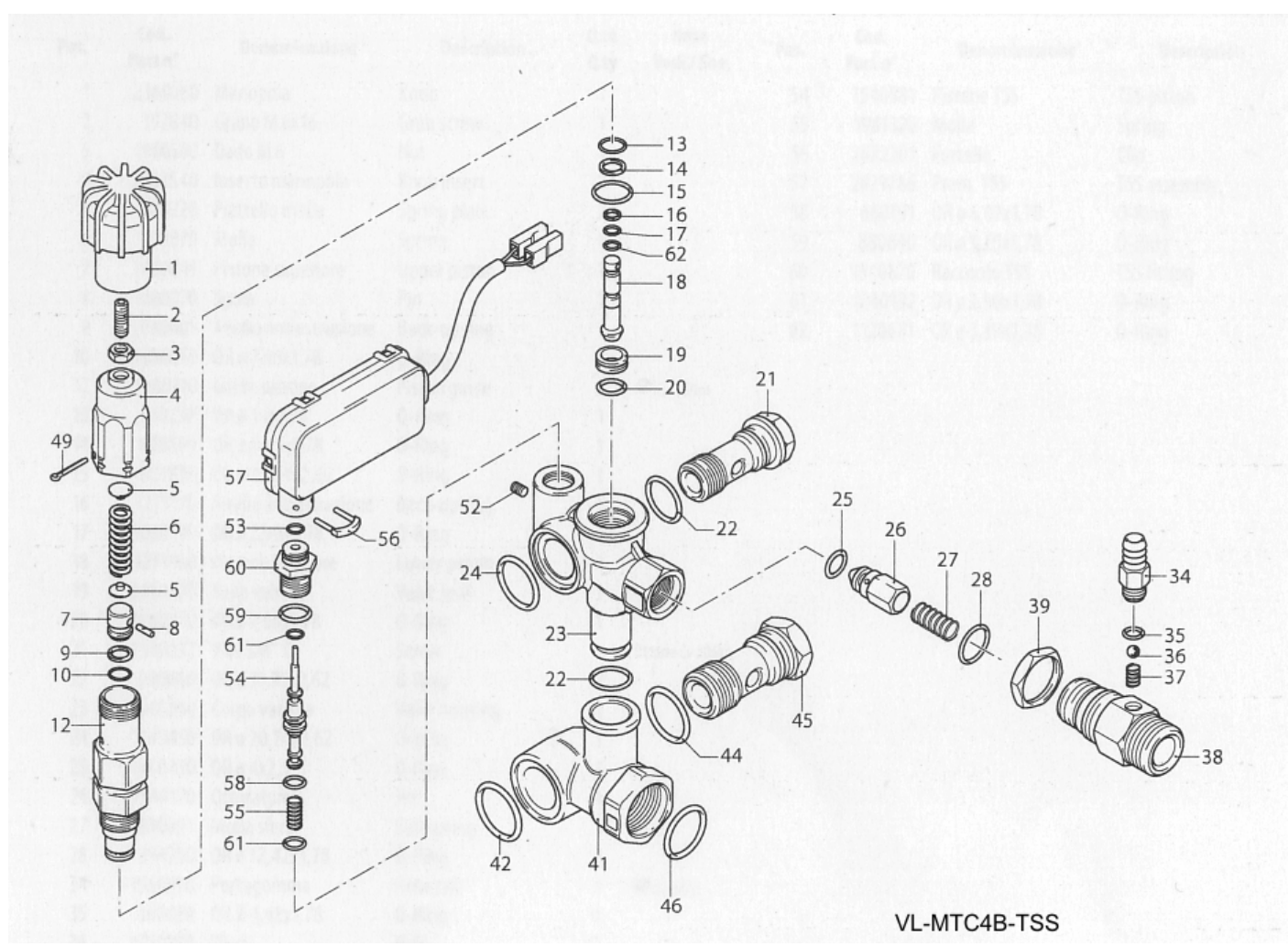
Ref.	Part N.	Cust. Part N.	Description	Reference	Price
K F	KTRI40183	KIT P	15-42451 O-RING	0009 0010 0013 0014 0015 0016 0017 0020 0022 0024 0025 0028 0035 0042	
				0044 0053 0058 0059 0061 0062	--



VL-MTC4B-TSS

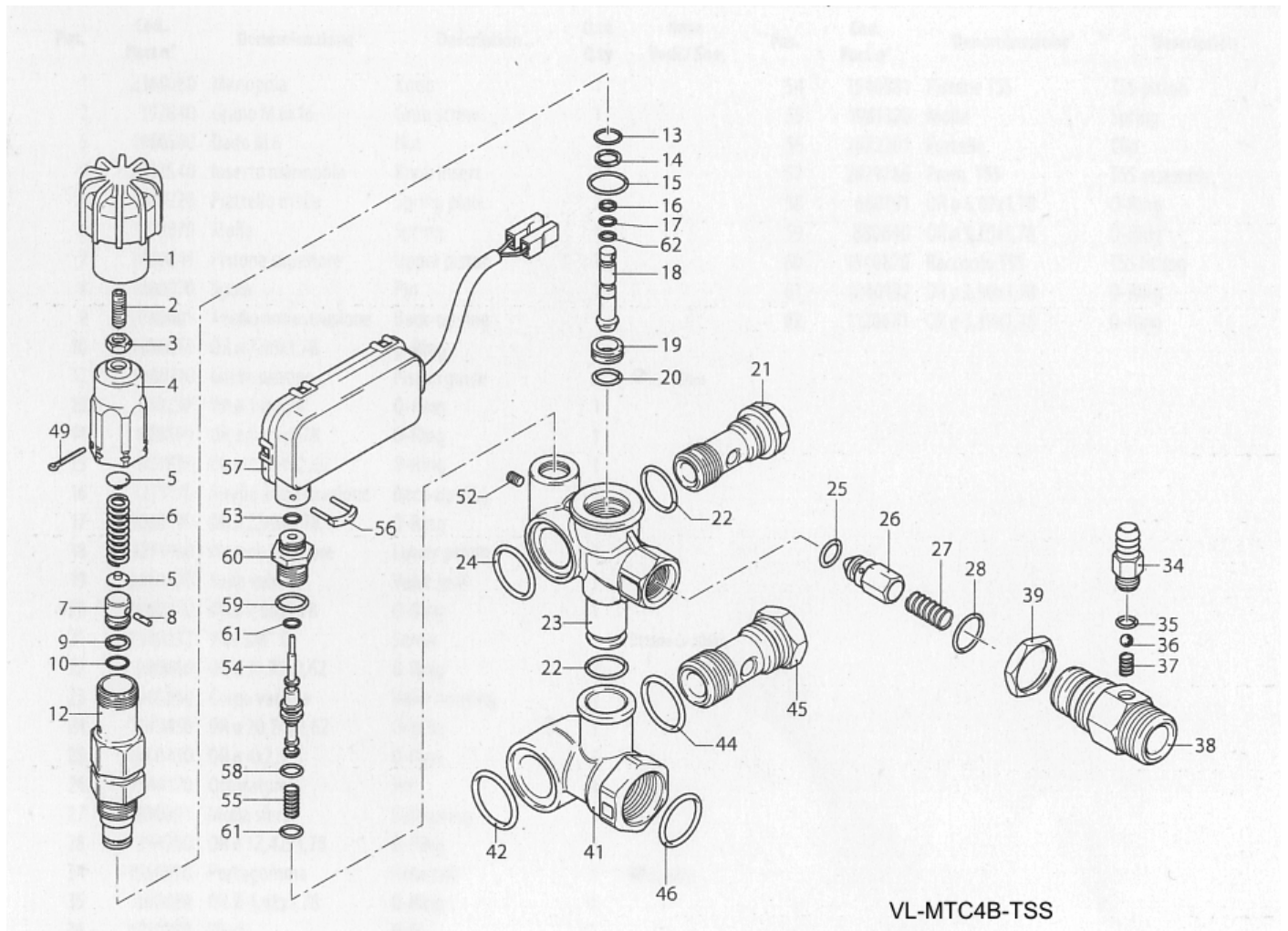
Ref.	K	Part N.	Customer Part N.	Description	Qty	Validity: From To	Price
0001		PVVR40227		KNOB M.MT/4B	1,00		--
0002		VTVT19524		SCREW EI-ST 6X16 UNI 5923	1,00		--
0003		VTDD00482		NUT M 6 ZIN UNI 5588	1,00		--
0004		PVVR40236		KNOB M.MT/4B	1,00		--
0005		PVVR40067		SPRING PLATE AR XJS	2,00		--
0006		MLML40007		SPRING D. 10.8X48.9 D.2.8 XJS	1,00		--
0007		PVVR40068		SMALL PISTON AR XJS SP.	1,00		--
0008		VTVR19193		PLUG D. 2.5X10	1,00		--
0009	S	GUVR40026		ANTI-EXTR.RING D. 8	1,00		--
0010		GUGO40179		O-RING D. 8 X 2 NBR 70SH	1,00		--
0012		PVVR40385		PISTON GUIDE AR XJS 2V.	1,00		--
0013	S	GUGO09720		O-RING D. 14 X 1.78 NBR 70SH	1,00		--
0014	S	GUGO63403		O-RING D. 8.73 X 1.78 NBR 70SH	1,00		--
0015	S	GUGO02259		O-RING D. 15.54 X 2.62 NBR 70SH	1,00		--
0016	S	GUVR40027		ANTI-EXTR.RING D. 3.7	1,00		--
0017	S	GUGO19189		O-RING D. 2.90 X 1.78 NBR 70SH	1,00		--
0018		PVVR40070		CONTROL PISTON AR XJS IF.	1,00		--
0019		PVVR40237		VALVE SEAT M.MT/4B	1,00		--
0020		GUGO06988		O-RING D. 7.66 X 1.78 NBR 70SH	1,00		--
0021		RCDS40068		SCREW G 3/8 M.MATIC 4/B OT.	1,00		--
0022	S	GUGO01047		O-RING D. 11.91 X 2.62 NBR 70SH	2,00		--
0023		PVVR40134		VALVE BODY M.MATIC 4/B TSS	1,00		--
0024	S	GUGO19395		O-RING D. 20.24 X 2.62 NBR 70SH	1,00		--
0025	S	GUGO12494		O-RING D. 4 X 2.5 -NBR 70SH	1,00		--
0026		PVVR40074		COUPLING N.RIT. XJS	1,00		--
0028	S	GUGO11652		O-RING D. 12.42 X 1.78 NBR 70SH	1,00		--
0040		RCDS40069		NIPPLE G 3/8 M.MATIC 4/B	1,00		--
0041		PVVR40131		CONNECTOR M.MATIC 4/B	1,00		--
0042	S	GUGO76542		O-RING D. 23.47 X 2.62 NBR 70SH	1,00		--
0044	S	GUGO01058		O-RING D. 17.17 X 1.78 NBR 70SH	1,00		--
0045		RCDS40070		SCREW G 1/2 M.MATIC 4/B	1,00		--
0049		VTVR40025		SPLIT PIN D. 2.6X15	1,00		--
0052		VTVT40019		SCREW M 3X 5 EI-ST UNI 5923	1,00		--
0053	S	GUGO19207		O-RING D. 1.78 X 1.78 NBR 70SH	1,00		--
0054		PVVR40136		CONTROL PISTON AR TSS M.MTC	1,00		--
0055		MLML40017		SPRING D. 8.7 X15.9 D.1.2	1,00		--
0056		LAFN40212		PLUG "U" AR TSS	1,00		--
0057		MEPF40018		PRESSURE SWITCHAR TSS 220V N.A. L.430	1,00		--
0058	S	GUGO12489		O-RING D. 6.07 X 1.78 NBR 70SH	1,00		--





VL-MTC4B-TSS

Ref.	K	Part N.	Customer Part N.	Description	Qty	Validity:		Price
						From	To	
0059	S	GUGO03496		O-RING D. 9.25 X 1.78 NBR 70SH	1,00			--
0060		PVVR40137		PISTON GUIDE AR TSS M.MATIC	1,00			--
0061	S	GUGO19189		O-RING D. 2.90 X 1.78 NBR 70SH	2,00			--
0062	S	GUGO40031		O-RING D. 3.39 X 1.78 NBR 70SH	1,00			--



VL-MTC4B-TSS

Ref.	Part N.	Cust. Part N.	Description	Reference	Price
K F	KTRI40183	KIT P	15-42451 O-RING	0009 0010 0013 0014 0015 0016 0017 0020 0022 0024 0025 0028 0035 0042 0044 0053 0058 0059 0061 0062	--