



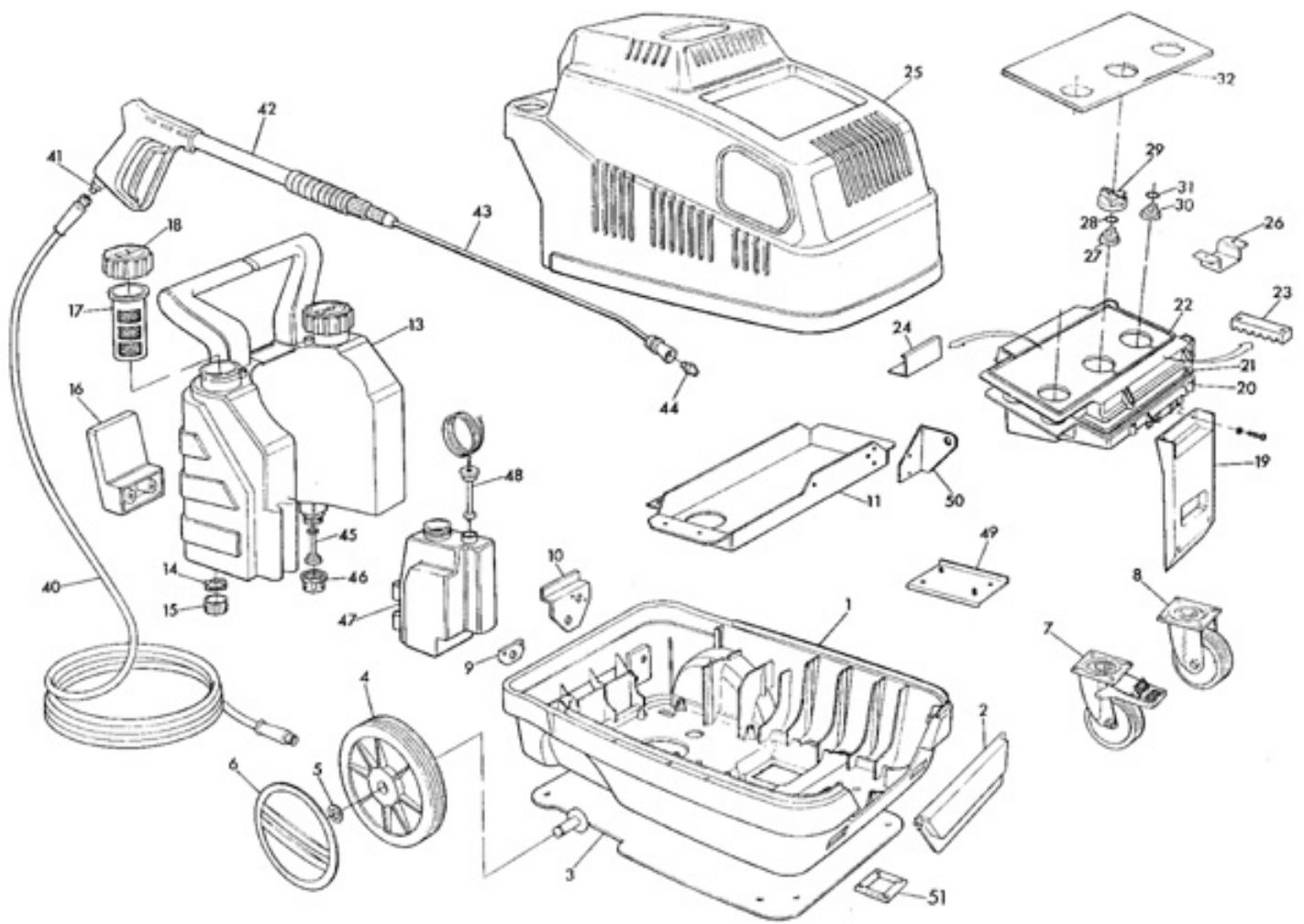
FOMA Norge AS
Regnbuevn. 6
1405 Langhus
Telefon: 64 91 70 00
Telefax: 64 86 76 22
E-post: info@foma.no
Internett: www.foma.no

Spare Parts List

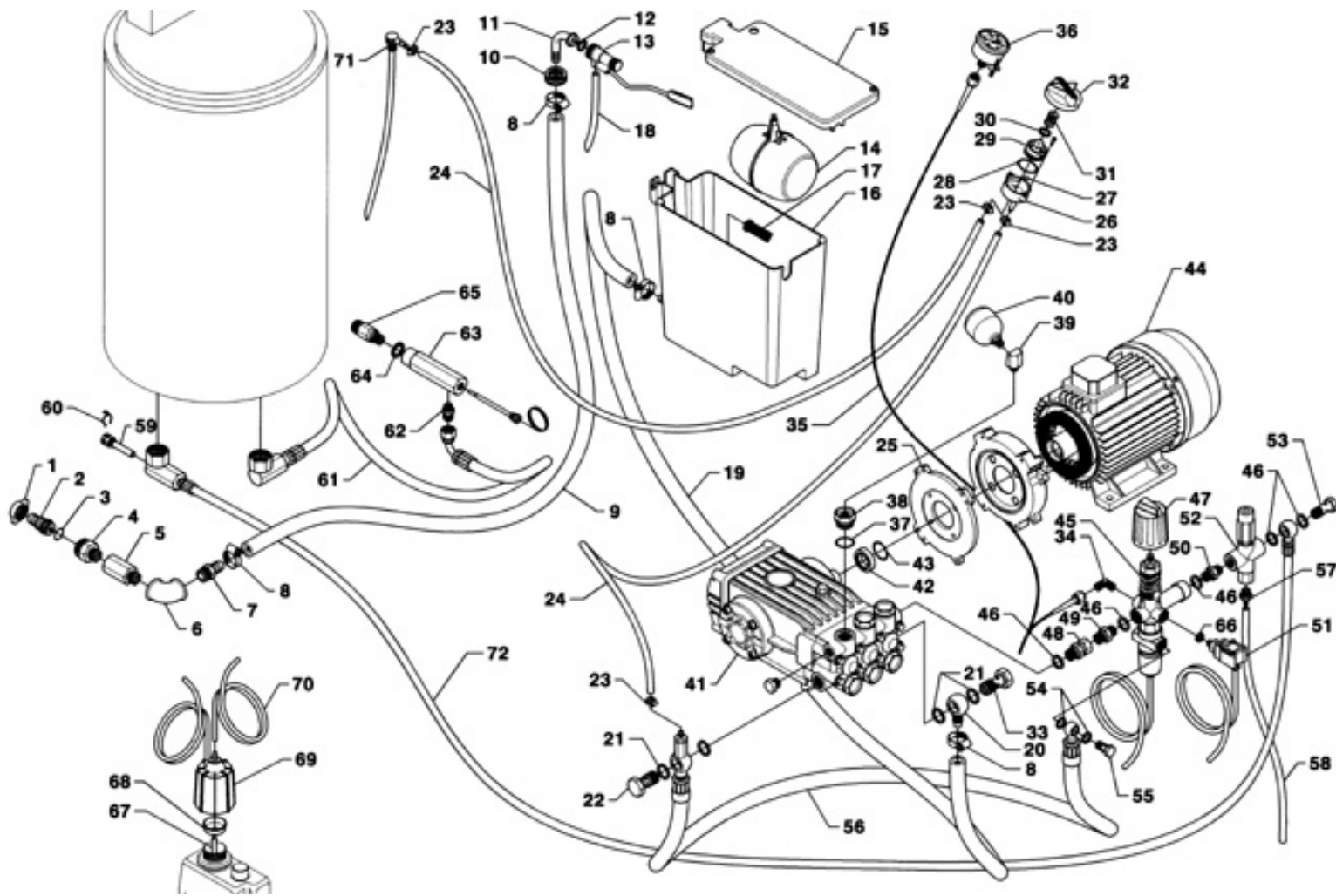
FOMA NORGE AS

Ref: IDAC46244 - 121170

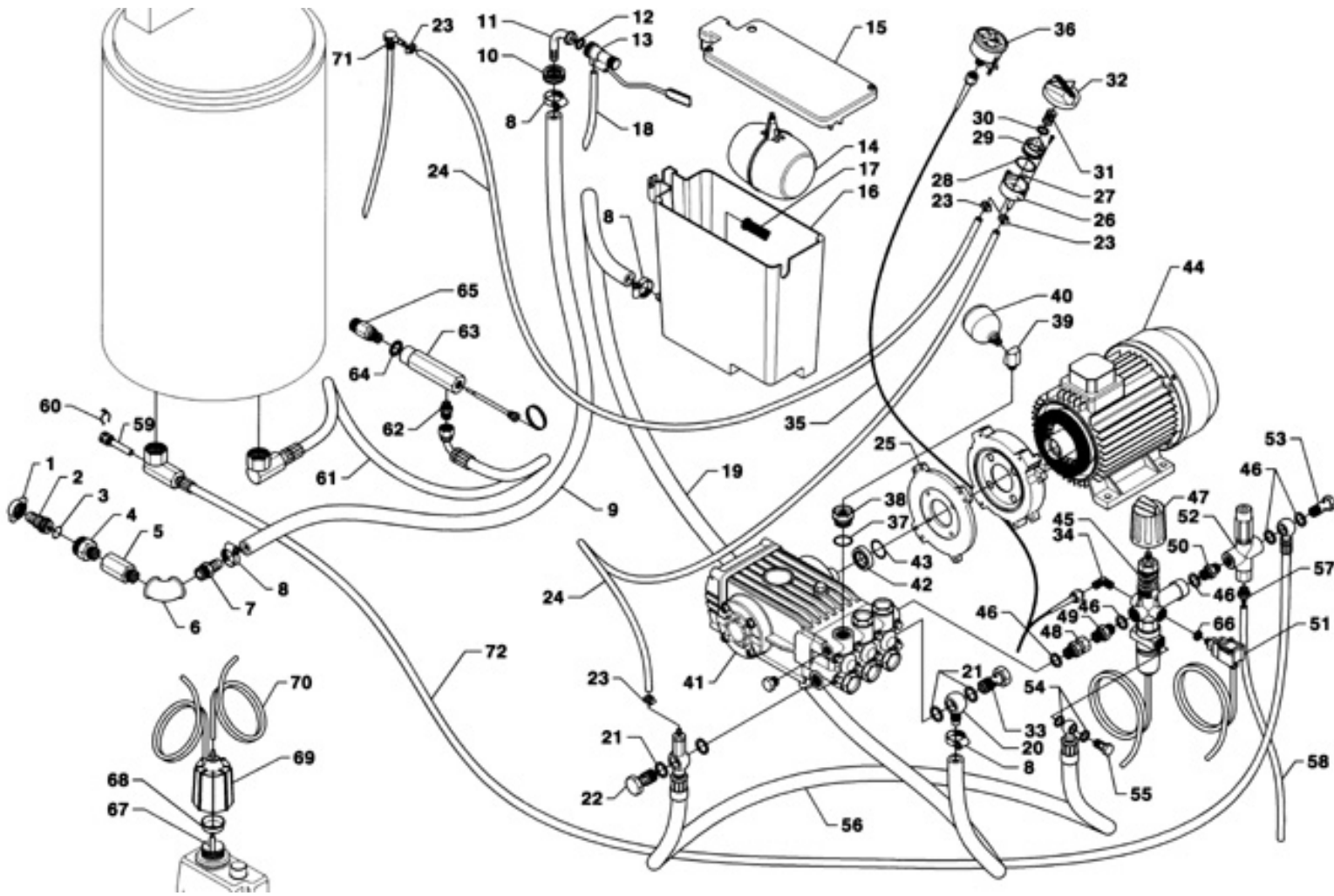
Model: HPS 1140 TST



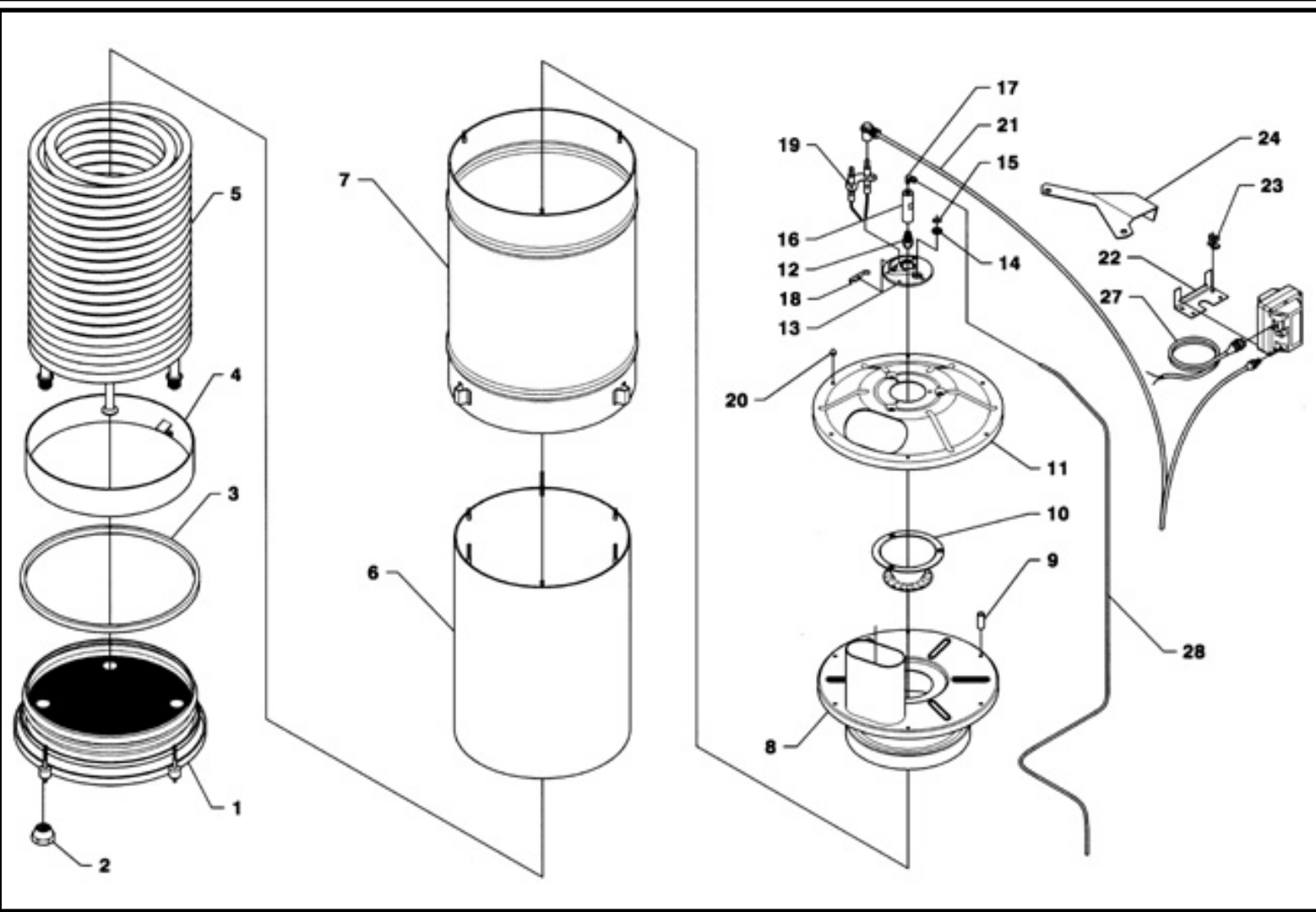
Ref.	K	Part N.	Customer Part N.	Description	Qty	Validity:	
						From	To
0001		MPVR33490		CHASSIS MISTRAL PP	1,00		
0002		MPVR34168		THROTTLE MISTRAL PP	1,00		
0003		LAFN33489		SUPPORT MST	1,00		
0004		RTRT24320		WHEEL D.250-D.25 RT-PRT	2,00		
0005		VTRS09813		WASHER D.25	2,00		
0006		MPVR25910		RED WHEEL COVERD. 250 RT/PRT	2,00		
0007		RTRT13708		TURNING WHEEL D.125 P. MZ.PLS	1,00		
0008		RTRT07480		TURNING WHEEL D.125 P MZ.PLS.	1,00		
0009		LAFN34637		SUPPORT MST	1,00		
0010		LAFN34052		SUPPORT MST	1,00		
0011		LAFN40508		MOTOR PLATE MST S/BLC.	1,00	02/1999	
0013		MPVR37512		FUEL TANK MISTR.DS/GT.	1,00		
0014		GUGO11489		GASKET D.22X1,5	2,00		
0015		PVVR11806		DISCHARGE CAP FLL	2,00		
0016		LAFN20105		HOSE SUPPORT KSM	1,00		
0017		FTCO17698		FILTER 121X54	2,00		
0018		MPVR20418		TANK CAP KSM	2,00		
0019		MPVR33534		BOX SUPPORT MST PA 66	2,00		
0020		MPVR33248		CONTROL BOX MISTRAL PP	1,00		
0021		GUGO11309		JOINT MOUSSE D. 3	1,20		
0022		MPVR33249		BOX COVER MISTRAL	1,00		
0023		MPVR33250		CABLE CLAMP COVMISTRAL	1,00		
0024		LAFN34423		SUPPORT BRACKETMST.S-P	1,00		
0025		MPVR33318		RED COVER MISTRAL PP	1,00		
0027		MPVR23482		TAIL PIECE TEC. TUV	1,00		
0028		GUGO23079		V-SEAL RING VA0014 13.5- 15.5	1,00		
0029		MPVR20190		GREY KNOB KSM	3,00		
0030		MPVR23484		TAIL PIECE THERM.KSM TUV	1,00		
0031		GUGO25527		O-RING D. 14 X 3 NBR 70SH	1,00		
0032		ETET40687		LABEL MST PR.II DS PLC	1,00		
0040		TBAP16291		H.P. HOSE R1 MT 10 5/16" IRV F-SWIV	1,00		
0042		IPPR12973		GRIP ST 2000 - P 330 - M22 M V	1,00		
0043		LCPR12976		EXTENSION P 70	1,00		
0044		UGLN02304		NOZZLE 1/4 25065	1,00		
0045		MECI34446		SWITCH REED N.A.H115	1,00		
0046		LAFN34356		RING NUT M 39X3 MST.G	1,00		
0047		MPVR20903		TANK KSM	1,00		
0048		MECI34444		SWITCH REED N.C.H185 L=1300	1,00		
0049		LAFN35778		B.TANK BRACKET MST INX	1,00		



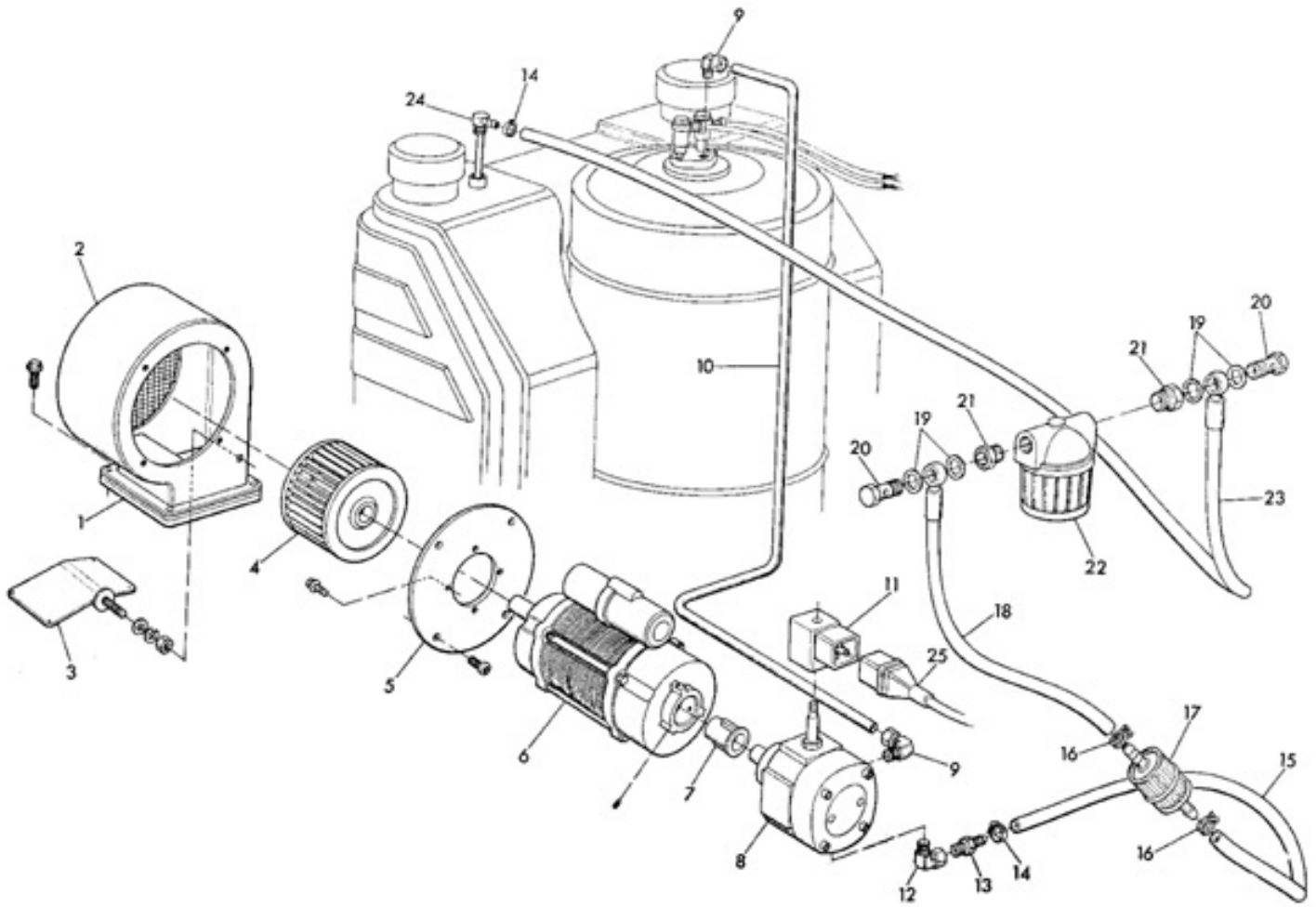
Ref. K	Part N.	Customer Part N.	Description	Qty	Validity:	
					From	To
0001	RCDS09316		CONNECTION G. 3/4	1,00	10/1996	
0002	RCDS08965		HOSE FITTING OTT.	1,00	10/1996	
0003	GUGO01054		O-RING D. 15.08 X 2.62 NBR 70SH	1,00	10/1996	
0004	RCDS35797		NIPPLE 3/4 - 1/2 OTT MST	1,00		
0005	RCDS17206		SLEEVE 1/2 M/F L= 50-65	1,00		
0006	RCVR00578		ELBOW 1/2" F	1,00		
0007	RCDS02689		HOSE FITTING 1/2 M D.12-16	1,00		
0009	TBBP00055		L.P. HOSE D.15-23 10BAR AYTOK.	0,62		
0010	RCDS10356		RING NUT FUT	1,00		
0011	RCDS10357		HOSE FITTING FUT 90°	1,00		
0013	RCGR10358		TAP UG. D. 7	1,00		
0014	RCGR01387		PLASITC BALL D.104	1,00		
0015	MPVR10353		TANK COVER FUT PAD	1,00		
0016	MPVR22117		WATER TANK FUT + F 18LT	1,00		
0017	FTDT21315		FILTER D.20X45 18LT	1,00		
0018	TBBP17436		L.P. HOSE D.12-14 RILSAN NT.	0,17		
0019	TBBP15656		L.P. HOSE D.16-26 20BAR	1,41	02/2001	
0020	RCDS33986		CONNECTOR O. 1/2 C/PO 10.5-17	1,00		
0021	VTRS12491		WASHER 1/2	4,00		
0022	RCDS16328		SCREW G 1/2 D.8	1,00		
0023	FSVR15255		CLAMP D. 8-12	6,00		
0024	TBBP00051		DETERGENT HOSE D. 6-12	1,40	12/1999	
0025	MFVR21735		COUNTERFLANGE MEC 112 2.V	1,00		
0026	RCGR08069		TAP BODY DET. PRT	1,00		
0027	GUGO08071		O-RING D. 4.48 X 1.78 NBR 70SH	1,00		
0028	GUGO12183		O-RING D. 23.4 X 3.53 VIT 70SH	1,00		
0029	RCGR08070		ADJUSTER PRT	1,00		
0030	VTRS00542		WASHER D.14X20	1,00		
0031	MLML08068		SPRING D.1,5 L.23	1,00		
0032	MPVR20190		GREY KNOB KSM	1,00		
0033	RCDS33982		SCREW 1/2 C/SC. L=41.5 D.13.5	1,00		
0034	RCVR12430		ELBOW 1/4" M/M A15	1,00		
0035	TBAP04437		POLYAMIDE HOSE L=420 1/4-1/4 F-F	1,00		
0036	MNMN07992		PRESSURE GAUGE 0-250 D.50	1,00		
0037	GUGO01033		O-RING D. 20.24 X 2.62 NBR 90SH	1,00		
0038	RCDS09059		CAP M24X2X16 + 1/4F OTT	1,00	02/1999	
0039	RCDS13818		SLEEVE 1/4-M14X1.5 M/F	1,00	10/1999	
0039	RCDS32154		BLOCK 1/4M L=36	1,00		
0040	ACID08195		COMPRESSED AIR M 14X1.5 30BAR	1,00	02/1999	



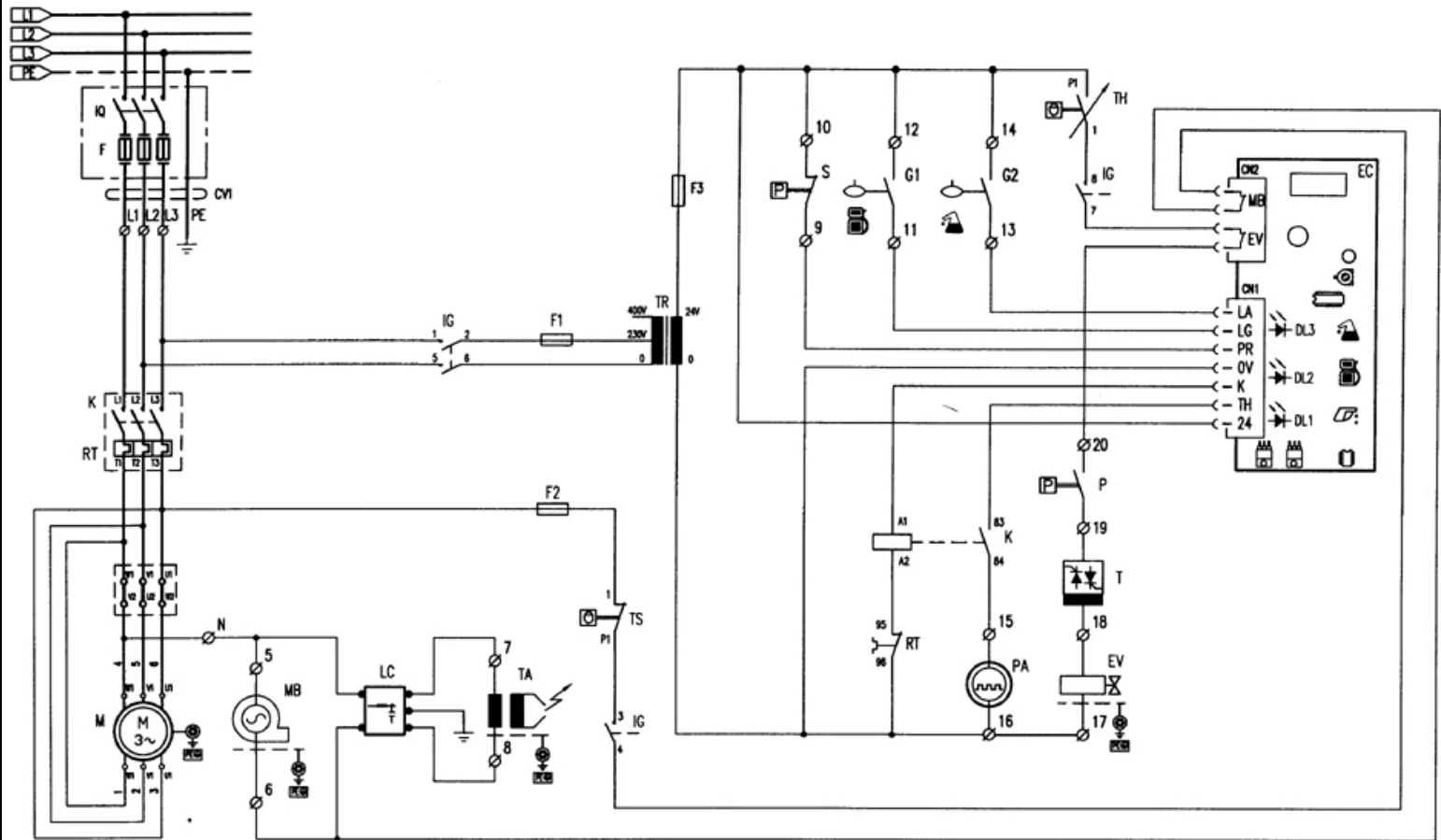
Ref.	K	Part N.	Customer Part N.	Description	Qty	Validity:	
						From	To
0041		PPAP42822		PUMP WS132 DX LT 18-120 B. USA	1,00	07/2001	
0042		RCDS34756		BUSHING IP W15 OT	1,00		
0043		GUGO42285		O-RING D. 35 X 2.5 VIT.70SH	1,00	11/1999	
0044		MOTR21305		3PH MOTOR HP7.5 230-400/50 - CU. GR	1,00		
0045		VVAZ15529		VALVE ST 261 - SWITCH	1,00		
0046		VTRS12492		WASHER 3/8	5,00	02/1999	
0047		MPVR09436		BLACK KNOB ST 260	1,00		
0048		RCVR00563		SWIVEL RACCORD 3/8 M/F	1,00		
0049		RCDS00610		NIPPLE 3/8 - 3/8 SV	1,00		
0050		RCDS12121		NIPPLE 3/8 - 3/8 SV/CN	1,00	02/1999	
0051		MEPF39902		PRESSURE SWITCHMTM 1/4M NA/NC 25B. MICRO	1,00	02/1999	
0052		VVSC40541		VALVE VS 220 2 G3/8 F	1,00	02/1999	
0053		RCDS01371		SCREW G 3/8 A.P.	1,00	02/1999	
0054		VTRS12821		WASHER D.14X21,5X1	2,00		
0055		RCDS02612		SCREW G 1/4 A.P.	1,00		
0056		TBBP41686		BY-PASS HOSE L=390 1/2+V.NRT-1/4OC 90°	1,00		
0057		RCDS03514		HOSE FITTING 3/8 M D. 5- 7	1,00	02/1999	
0058		TBBP04917		L.P. HOSE D. 6- 9	1,50	02/1999	
0059		RCDS00593		SUMP IM 0-120 L=50	1,00		
0060		MLML02623		SPRING IMT	1,00		
0061		TBAP33971		HOSE-FITTING 3/ 8 L=270 R2 3/8F -1/2P.	1,00		
0062		RCDS34050		NIPPLE 3/8-14X1.5 L=61	1,00		
0063		RCDS34048		BLOC BODY 3/8F MST	1,00		
0064		VTRS22537		WASHER D. 16	1,00		
0065		RCDS13012		NIPPLE M22-3/8 D. 7.5	1,00		
0066		MPVR18582		CAP D.22	1,00		
0067		TBBP11756		L.P. HOSE D. 4- 6 RILSAN NTR	0,24	12/1997	
0068		MPVR20904		CAP KSM	1,00		
0069		MEPD25575		DESCALING PUMP NM1 24V RSN	1,00		
0070		TBBP00058		L.P. HOSE D. 4- 6	1,10		
0071		RCDS20136		SUCTION L= 355 C.	2,00	11/1996	
0072		TBAP40552		HOSE-FITTING 3/ 8 R2 L=880 O3/8-1/2PMG	1,00	02/1999	



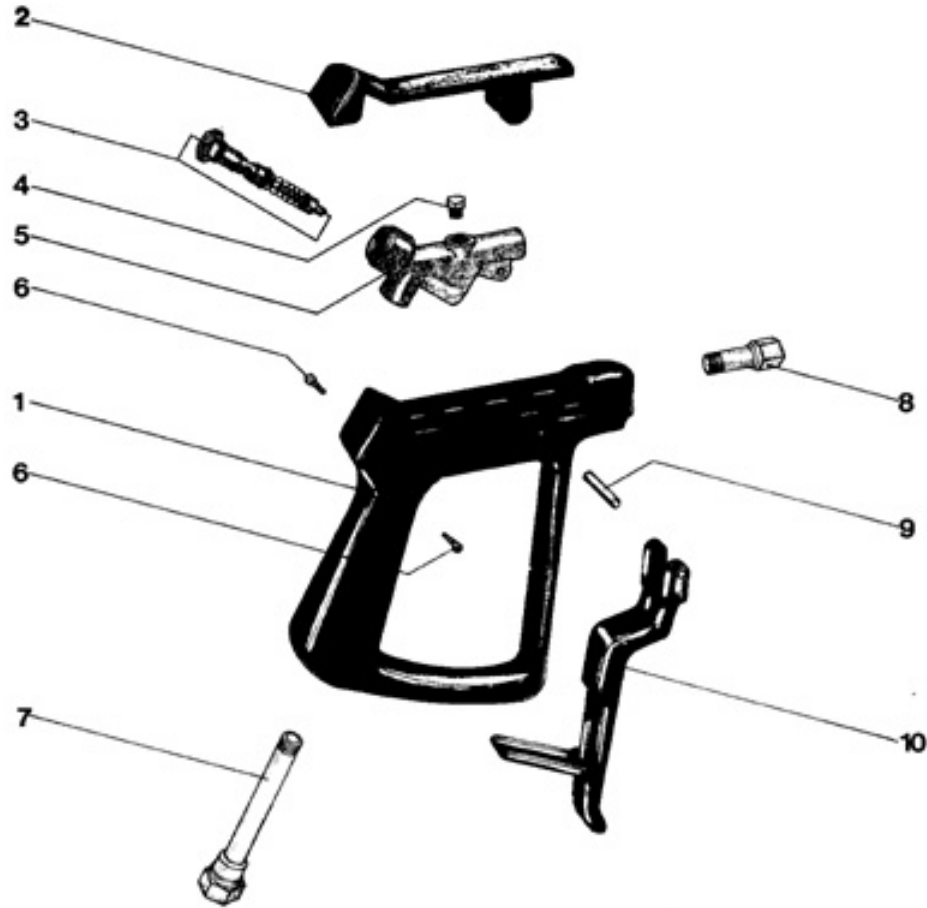
Ref. K	Part N.	Customer Part N.	Description	Qty	Validity:	
					From	To
0001	LAFN12715		BOILER BOTTOM FUT	1,00		
0002	RCDS00561		RING NUT 1/2 OTT	2,00		
0003	GUVR35205		GASKET D. 7 FIB.	1,02	02/1996	
0004	LAFN11708		METAL STRIP FUT	1,00		
0005	LAFN06313		DOUBLE COIL 3/8 FUTURA P	1,00		
0006	LAFN07969		INT. CYLINDER FUT INX	1,00		
0007	LAFN07674		EXT. CYLINDER FUT INX	1,00		
0008	LAFN42581		BOILER COVER SIMST INX	1,00	07/2000	
0009	LAFN09096		SPACER 10X28,5	3,00		
0010	LAFN08042		BAFFLE FUT	1,00		
0011	LAFN07676		BOILER COVER SEFUT INX	1,00		
0012	UGBR22576		BURNER NOZZLE 1.35 60 S	1,00		
0013	MFVR18226		ELECTR.HOLDER FUT 3°V	1,00		
0014	MPVR18228		OIL WARN-LIGHT D.17 X3	1,00		
0015	VTAE22633		SEEGER 0.4 X18,30X10,5	1,00		
0016	RCDS07642		NOZZLE HOLDER FUT	1,00		
0017	RCVR08954		ELBOW 1/8"-4 B5	1,00		
0018	LAFN07641		PLATE INX	1,00		
0019	MECA12525		ELECTRODE FUT	1,00		
0020	VTDD05907		NUT M 6 CIE.	6,00		
0021	MECV35334		CABLE A.T. 9,8-23KOHM/M L= 400P	2,00	07/1999	
0022	LAFN33974		SUPPORT BRACKETMST	1,00		
0023	MEVR15389		CLIP F-0201	1,00		
0024	LAFN34806		BRACKET MST 30MT	1,00		
0027	MECB34463		CABLE BT L=800 SP.	1,00		



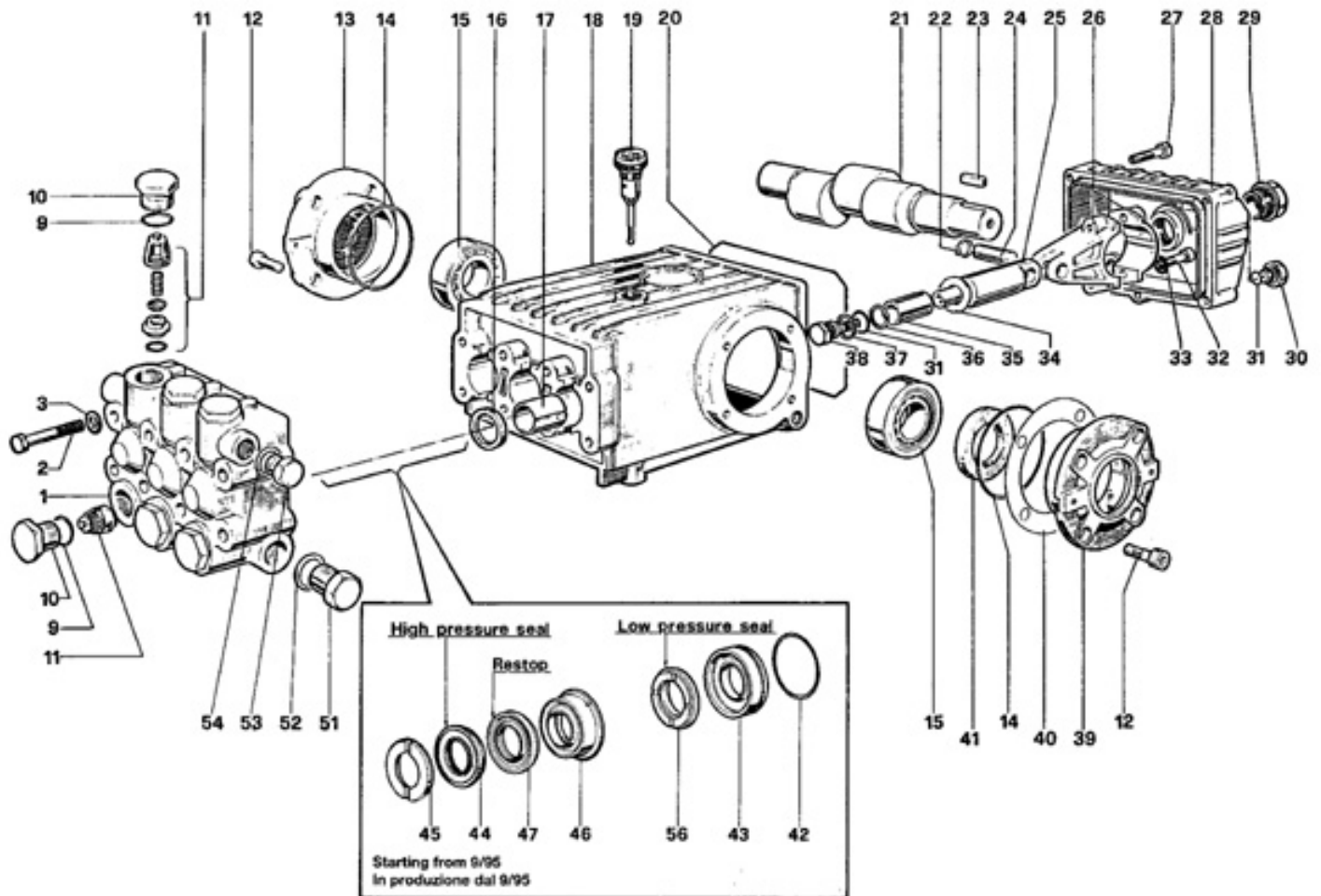
Ref. K	Part N.	Customer Part N.	Description	Qty	Validity:	
					From	To
0001	GUGO11214		GASKET FLL	1,00		
0002	LAFN33967		SCROLL CB4 -MST	1,00		
0003	LAFN11160		BUTTERFLY VALVEFLL	1,00		
0004	VEVR34275		IMPELLER D.160-80 D.12.7 36P B.SX	1,00		
0005	LAFN10272		MOTOR PLATE CB 3	1,00	04/2000	
0006	MOMB34119		BURNER MOTOR 230-50 IP44 150W A.OR	1,00		
0007	KTRI36516		KIT P 18- 9	1,00		
0008	PPGS40117		FUEL PUMP DLT VM1LR15	1,00	09/1998	
0010	TBCO33977		DIESEL HOSE MST 30MT D. 4	1,00		
0011	MEBE22173		COIL DLT 24-50	1,00		
0012	RCVR00573		ELBOW 1/4" M/F A10	1,00		
0013	RCDS00626		HOSE FITTING 1/4 M.D. 5- 7	1,00		
0014	FSVR15255		CLAMP D. 8-12	2,00		
0015	TBCO06945		L.P. HOSE D. 6-12 10BAR	0,17		
0016	FSVR11197		CLAMP D.I. 11 13315	2,00		
0017	FTCO34840		FUEL FILTER FB 1	1,00		
0018	TBBP34456		L.P. HOSE L= 150 1/4OC.-LIB.	1,00		
0019	VTRS12821		WASHER D.14X21,5X1	4,00		
0020	RCDS01371		SCREW G 3/8 A.P.	2,00		
0021	RCVR02607		REDUCTION 3/8-1/4 M/F	1,00	02/2002	
0021	RCVR38072		REDUCTION 3/8-1/4 M/F A4/Z SKD.F	1,00	02/2002	
0022	FTCO30578		FUEL FILTER 3/8 0.1-SP	1,00		
0023	TBBP34457		L.P. HOSE L=1570 1/4OC.-LIB.	1,00		
0024	RCDS20136		SUCTION L= 355 C.	1,00		
0025	MECB18118		CABLE DLT L=1.600	1,00		
9999	FTCO17886		FILTER VM1 RL2	1,00		
9999	GUVR02546		GASKET COVER	1,00		



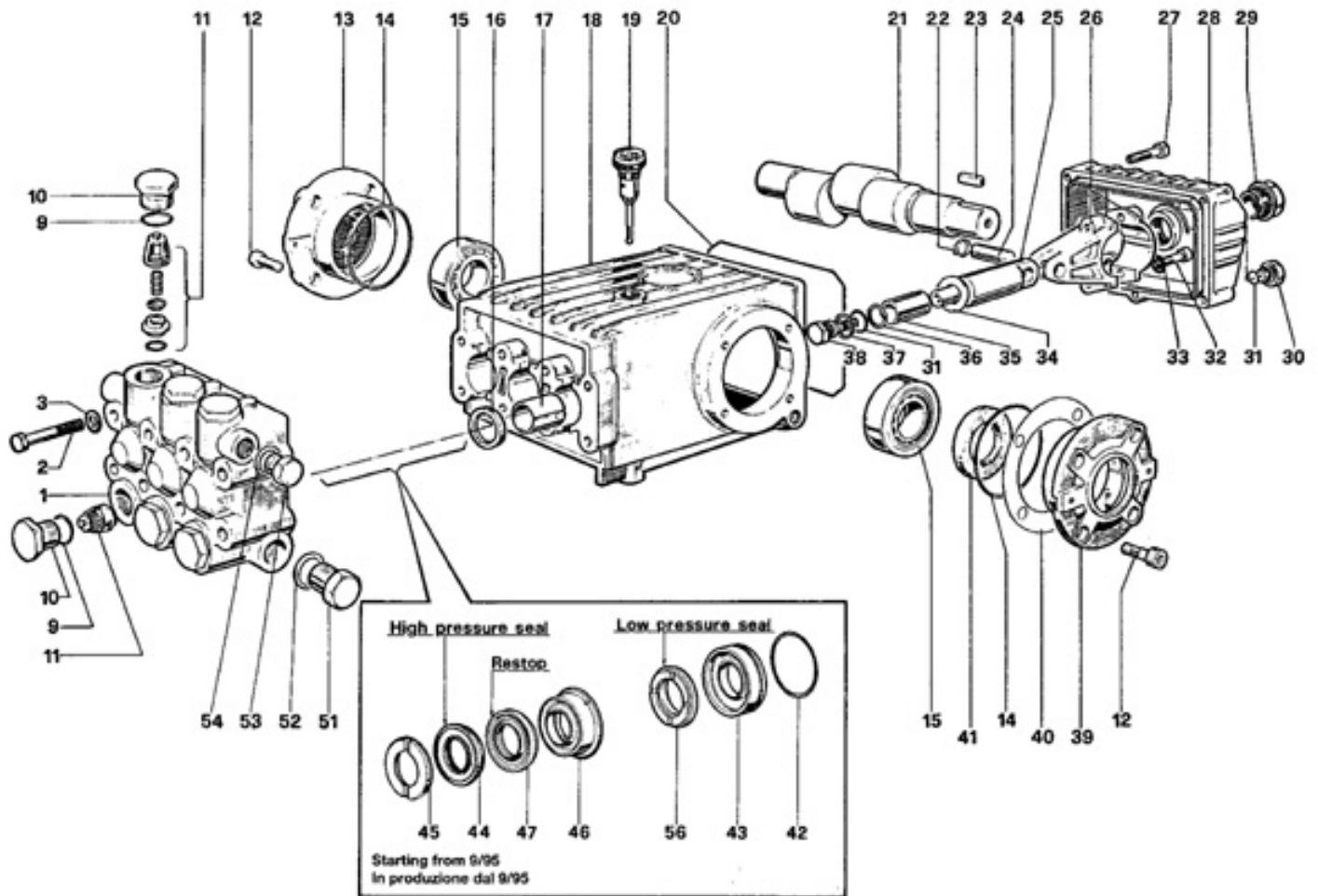
Ref.	K	Part N.	Customer Part N.	Description	Qty	Validity: From To
K	METT41888			CONTACT SIE N.A. 3RH19 21-1EA11	1,00	10/2001
K	METT45024			CONTACTOR SIE 3RT 1026 1AC20 24V	1,00	10/2001
M	MOTR21305			3PH MOTOR HP7.5 230-400/50 - CU. GR	1,00	
P	MEPF39902			PRESSURE SWITCHMTM 1/4M NA/NC 25B. MICRO	1,00	
S	MEPF17533			PRESSURE SWITCHST 261 N.C.	1,00	
T	METY33753			TIMER 3 S. MST 24V	1,00	
EC	MECE40708			PCB MISTRAL PR.II T-ST/MP/LIV	1,00	02/1999
EV	MEBE22173			COIL DLT 24-50	1,00	
F1	MEVR09010			FUSE 5X20 0,5A	1,00	
F2	MEVR00237			FUSE 5X20 3,15A	1,00	06/1999
F3	MEVR02824			FUSE 5X20 1A	1,00	
G1	MECI34446			SWITCH REED N.A.H115	1,00	
G2	MECI34444			SWITCH REED N.C.H185 L=1300	1,00	
IG	MECI40544			COMMUTAT.SWITCH0-1-2 HD12H022-R000	1,00	02/1999
LC	MECE34831			FILTER LC F.AH.DA.3100ZF 6.5A	1,00	
MB	MOMB34119			BURNER MOTOR 230-50 IP44 150W A.OR	1,00	
PA	MEPD25575			DESCALING PUMP NM1 24V RSN	1,00	
RT	METT45033			THERMAL RELAY SIE 3RU1126-4DB0 20-25 A	1,00	10/2001
TA	METR34464			TRANSFORMER 230V-50HZ 2X4000V SP4 CM	1,00	09/1996
TH	METK19354			THERMOSTAT 0-150° L=1200	1,00	02/1999
TR	METR11977			TRANSFORMER 35VA 230-400/24 50/60HZ	1,00	
TS	METK34839			THERMOSTAT 50°C TR/711-N C.1.5	1,00	
CV1	MECB17414			CABLE H07 RNF 4X2.5 L=6.500	1,00	



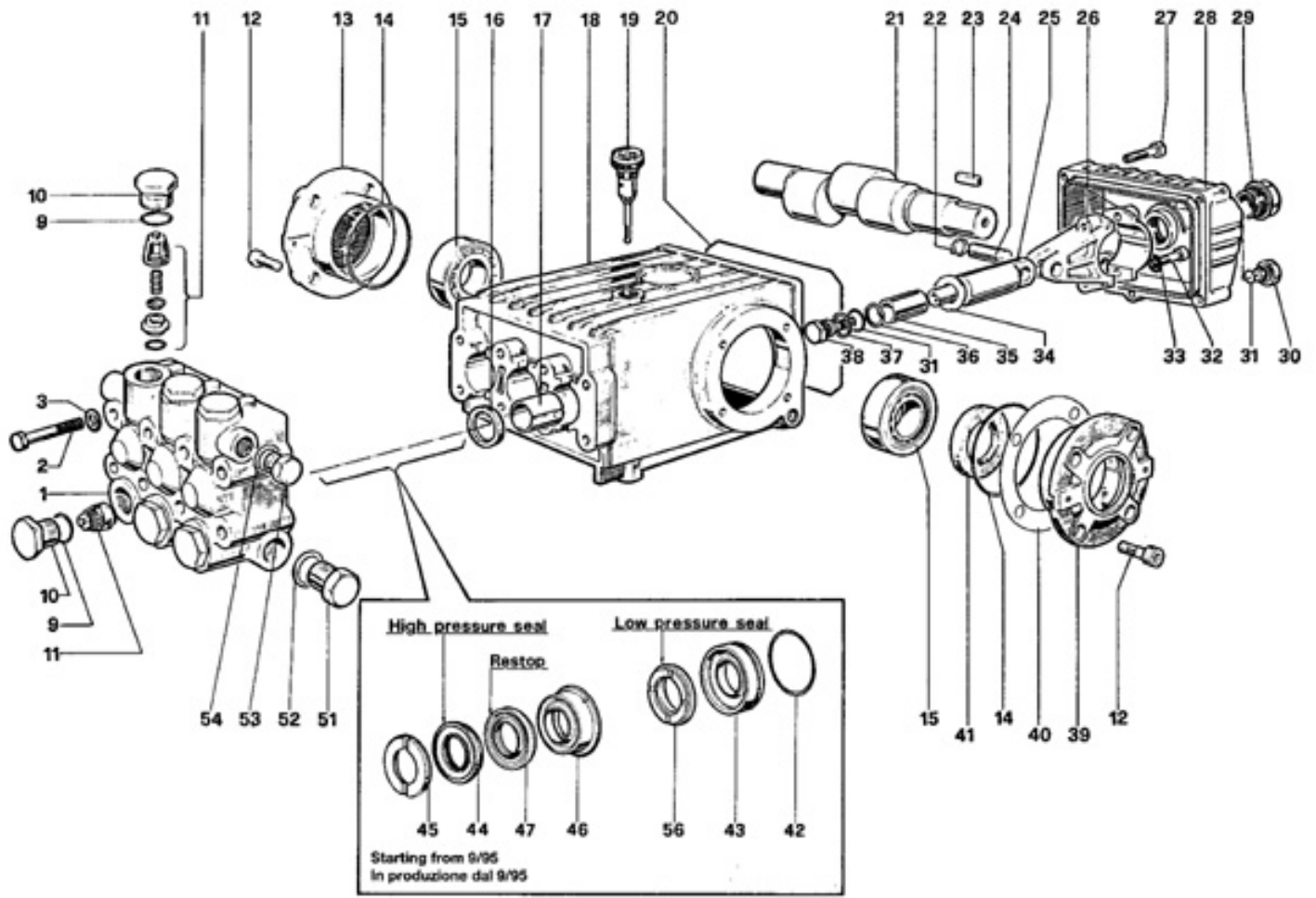
Ref. K	Part N.	Customer Part N.	Description	Qty	Validity:	
					From	To
0001	PVVR08141		BODY ST 2000	1,00		
0002	PVVR08142		COVER ST 2000	1,00		
0003	KTRI10689		KIT P 26- 1	1,00		
0004	RCDS08145		CAP G 1/8" OT	1,00		
0005	PVVR08146		BRASS HOUSING ST 2000	1,00		
0006	VTVT28553		SCREW TCB-TC 3.5X16	2,00		
0007	PVVR29763		TUBE G 1/4" +RCC 3/8"	1,00		
0008	PVVR08147		CONNECTOR 1/4 ST 2000	1,00		
0009	PVVR08149		PIN	1,00		
0010	PVVR08143		TRIGGER	1,00		



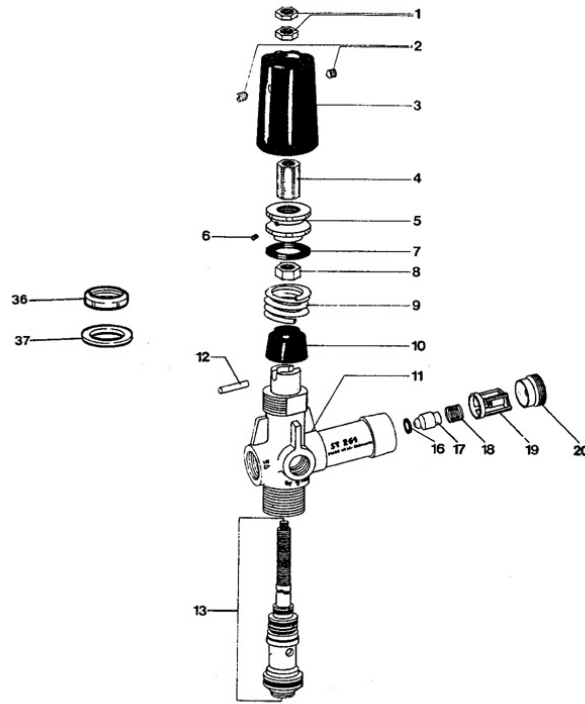
Ref.	K	Part N.	Customer Part N.	Description	Qty	Validity:	
						From	To
0001		MFVR01097		HEAD W 151	1,00		
0002		VTVT01111		SCREW TE M 8X70 UNI 5737	8,00		
0003		VTRS01072		WASHER D. 8 TC	8,00		
0009	S	GUGO01033		O-RING D. 20.24 X 2.62 NBR 90SH	6,00		
0010	S	RCDS01087		CAP M24X2X16 OTT	6,00		
0011	S	VVAM01104		VALVE UNIT W 70-151	6,00		
0012		VTVT01118		SCREW TCEI 8X16	8,00		
0013		MFVR03576		CRANKASE COVER W151	1,00		
0014		GUGO01041		O-RING D. 67.95 X 2.62 NBR 70SH	2,00		
0015		CUVR09205		ROLLER BEARING 32206 A	2,00		
0016	S	GUGO01000		OIL SEAL 22X 32X 5.5 NBR70	3,00		
0017		PVVR01011		BUSHING W 151	3,00		
0018		MFVR01013		PUMP CRANKCASE W 151	1,00		
0019		PVVR01092		OIL DIPSTICK W 151	1,00		
0020		GUGO34590		O-RING D. 133.02 X 2.62 NBR 70SH	1,00		
0021		ALMO41530		SHAFT TS 1511 USA	1,00		
0022		VTAE14016		CIRCLIP D. 12 UNI 7435	6,00		
0023		VTVR41531		KEY 8X 7X35 UNI 6604A	1,00		
0024		PVVR01085		GUDGEON D.13X35 W151	3,00		
0025		PVVR01029		PISTON GUIDE W 151	3,00		
0026		BLVR01009		CONNECTING ROD W 151	3,00		
0027		VTVT01116		SCREW TCEI 6X30 UNI5931	5,00		
0028		MFVR03582		CRANKASE COVER W 151 POS	1,00		
0029		PVVR01083		OIL INDICATOR G 3/4 W70-151	1,00		
0030		RCDS01088		CAP 1/4X 9 M WW90	1,00		
0031	S	GUGO01036		O-RING D. 10.82 X 1.78 NBR 70SH	4,00		
0032		VTVT01120		SCREW TCEI 8X35 UNI5931	6,00		
0033		VTRS14242		WASHER D. 8.4X13X0.8 UNI7064 SCH	6,00		
0034	S	VTRS01753		WASHER D.14X28 X0,5	3,00		
0035		PIVR01067		PISTON D.22X50 W 132	3,00		
0036	S	GUVR00994		ANTI-EXTR.RING W151	3,00		
0037	S	VTRS01076		WASHER D.14X18,5X0,5	3,00		
0038	S	PVVR01107		PISTON BOLT IP W151	3,00		
0039		MFVR03583		CRANKASE COVER W151	1,00		
0040		PVVR01016		THICKNESS 0,1 W 151	2,00		
0041	S	GUGO01003		OIL SEAL 30X 55X 7 NBR70	1,00		
0042	S	GUGO01042		O-RING D. 34.6 X 1.78 NBR 70SH	3,00		
0043	S	PVVR00978		PACKING RETAIN.W132	3,00		
0044	S	GUVR00982		PACKING W132	3,00		



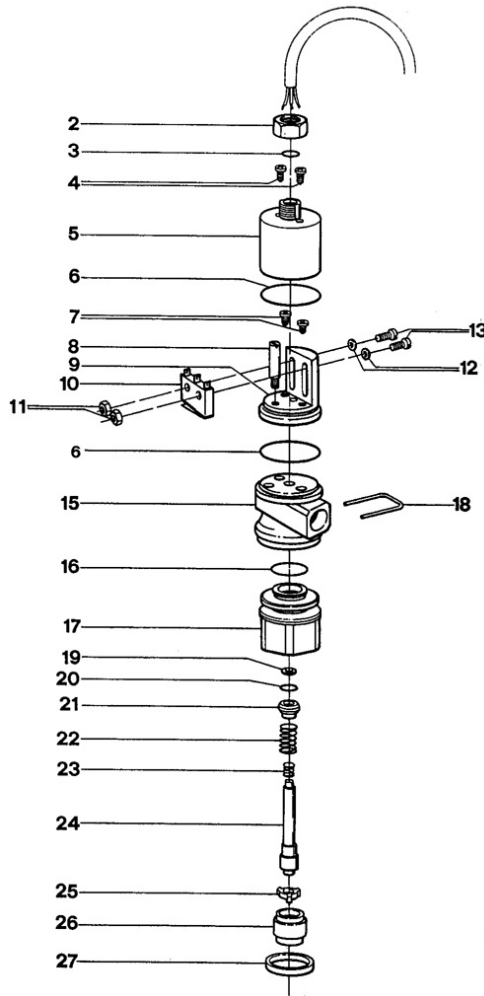
Ref.	K	Part N.	Customer Part N.	Description	Qty	Validity:	
						From	To
0045	S	PVVR00986		HEAD RING W132	3,00		
0046	S	PVVR34588		INTERMED. RING W 132 D. 22	3,00		
0047	S	GUVR34586		PACKING D. 22 RESTOP	3,00		
0051		RCDS01091		CAP 1/2X10 M	1,00		
0052		VTRS01075		WASHER D.21,5X27 ALL	1,00		
0053		RCDS01090		CAP 3/8X13 M WW90	1,00		
0054		VTRS01074		WASHER D.17,5X23 X1,5	1,00		
0056	S	GUVR34584		PACKING W 132 L.P.	3,00		



Ref. Part N.	Cust. Part N.	Description	Reference
KTRI14900	KIT P	3	0041
KTRI17793	KIT P	6	0031 0034 0036 0037 0038
KTRI17795	KIT P	4	0009 0010
KTRI17859	KIT P	1	0011
KTRI17860	KIT P	2	0016
KTRI17878	KIT P	14	0042 0043
KTRI18588	KIT P	11	0045
KTRI18590	KIT P	29	0042 0043 0044 0045 0046 0047 0056



Ref. K	Part N.	Customer Part N.	Description	Qty	Validity:	
					From	To
0001	VTDD14926		NUT M6X1 UNI5589	2,00		
0002	VTVT08589		SCREW EI-ST 5X 6	2,00		
0003	MPVR09436		BLACK KNOB ST 260	1,00		
0004	PVVR14933		SCREW	1,00		
0005	VTVT14927		SCREW	1,00		
0006	VTVT14925		SCREW EI-ST 5X 6 UNI5929	2,00		
0007	GUVR14928		RING	1,00		
0008	VTDD14930		NUT M8X1 UNI5588	1,00		
0009	MLML14929		SPRING D.18X4X28	1,00		
0010	PVVR16955		SPRING SEAT ST	1,00		
0011	PVVR16956		VALVE BODY ST 261	1,00		
0012	PVVR16957		PIN D. 3X13 ST	1,00		
0013	KTRI16958		KIT P 14- 20	1,00		
0016	GUGO10373		O-RING D. 5 X 2.5 VIT 80SH	1,00		
0017	PVVR08615		VALVE PART	1,00		
0018	MLML08616		SPRING	1,00		
0019	PVVR08617		VALVE CAGE	1,00		
0020	PVVR08618		NUT	1,00		
0036	PVVR10580		NUT	1,00		
0037	VTRS17544		WASHER D.30X41.5X2 ST	1,00		



Ref. K	Part N.	Customer Part N.	Description	Qty	Validity:	
					From	To
0002	VTDD08624		NUT ST 260	1,00		
0003	GUGO10373		O-RING D. 5 X 2.5 VIT 80SH	1,00		
0004	VTVT08630		SCREW TCB 2,9 X 9,5	2,00		
0005	PVVR08628		COVERING ST 260 S	1,00		
0006	GUGO08629		O-RING D. 24 X 1.5 NBR 70SH	2,00		
0007	VTVT08630		SCREW TCB 2,9 X 9,5	2,00		
0008	PVVR08631		NUT	1,00		
0009	PVVR08632		COVERING ST 260 M	1,00		
0011	VTDD08634		NUT	1,00		
0012	VTRS13332		WASHER OTT	2,00		
0013	VTVT08643		SCREW	2,00		
0015	PVVR17568		BODY SW 261	1,00		
0016	GUGO08609		O-RING D. 15 X 1.5 EPDM70SH	1,00		
0017	PVVR17569		BODY SW 261	1,00		
0018	VTVR17570		PLUG ST	1,00		
0019	GUVR13333		ANTI-EXTR.RING	1,00		
0020	GUGO07014		O-RING D. 3.3 X 2.4 EPDM80SH	1,00		
0021	PVVR13334		SPACER OTT	1,00		
0022	MLML13335		SPRING	1,00		
0023	MLML08639		SPRING	1,00		
0024	PVVR17571		ROD ST 261	1,00		
0025	PVVR08641		PIN GUIDE	1,00		
0026	PVVR17572		SPACER ST	1,00		
0027	VTRS17573		WASHER ST	1,00		