

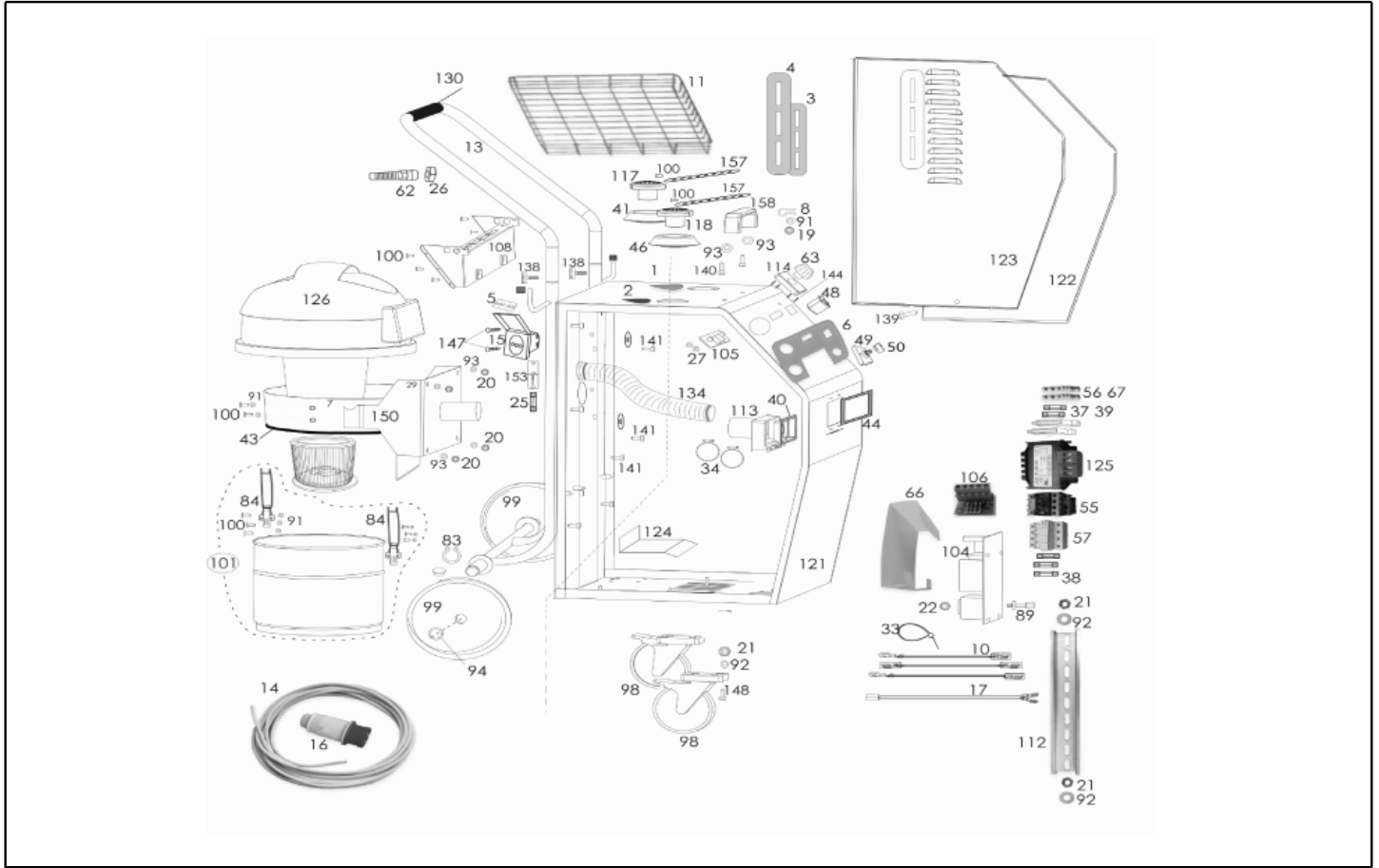


IPC

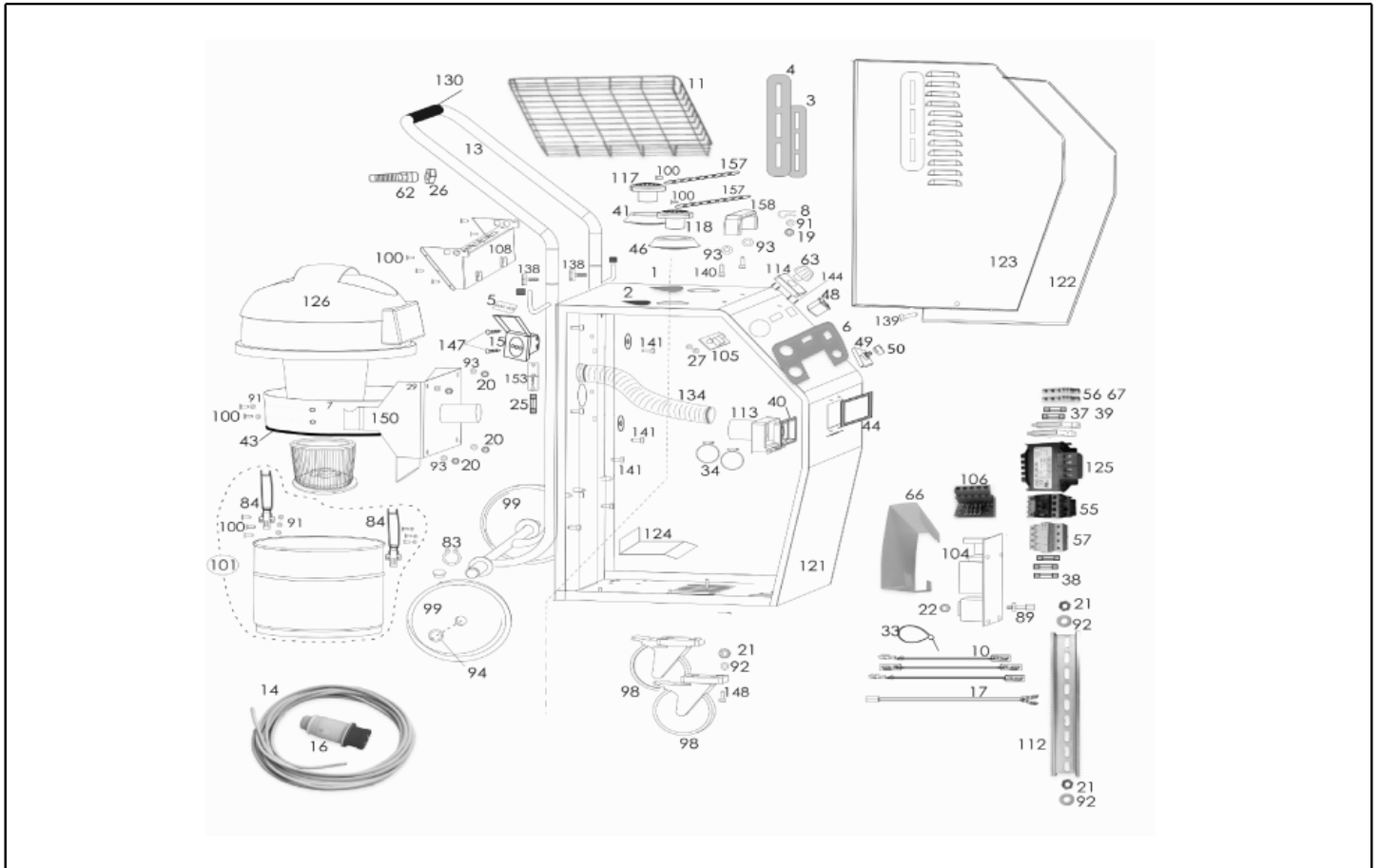
Spare parts list

Ref: GNVA40047

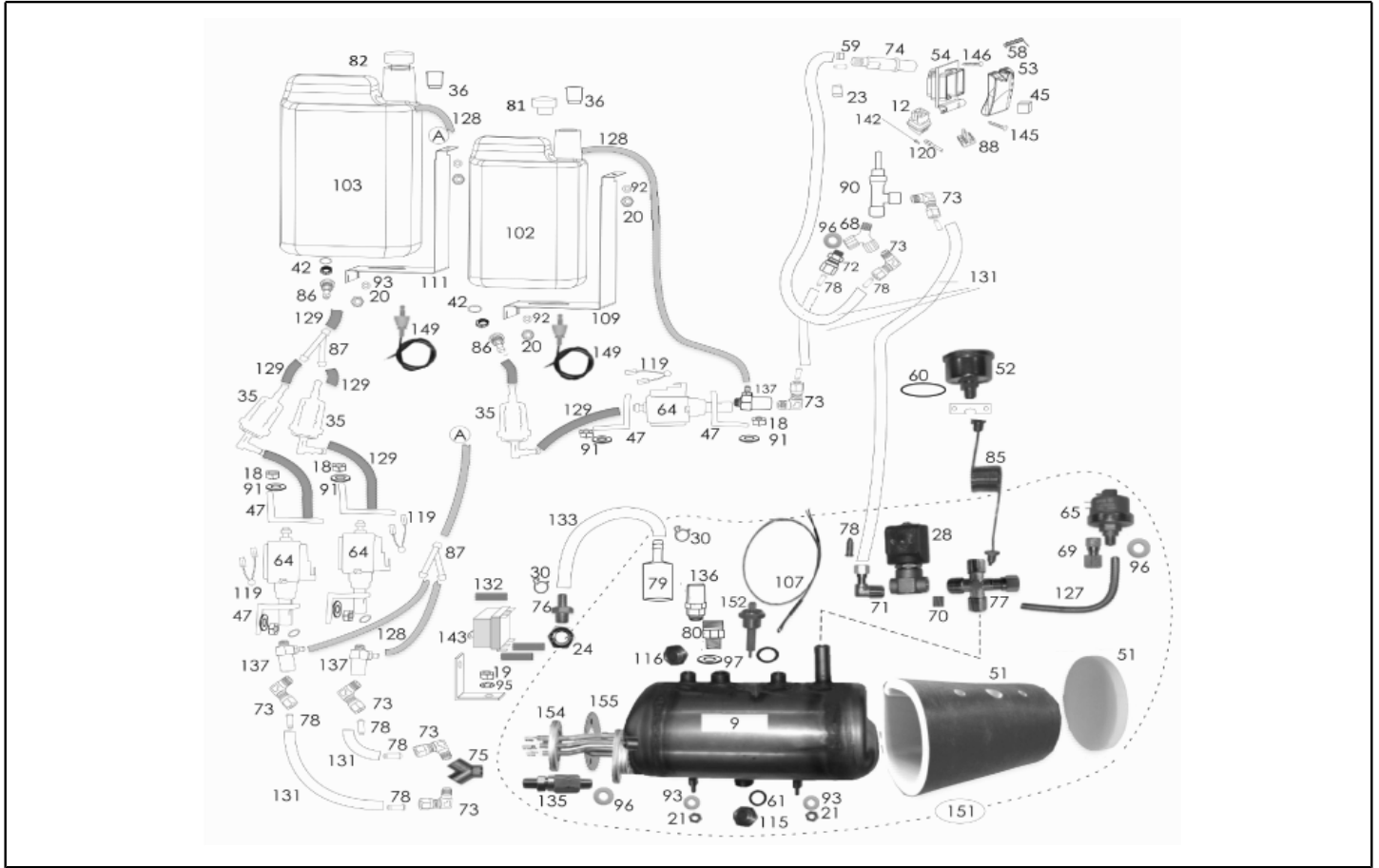
Model: GENERATOR SG-55 S 8025 T 400V IPC



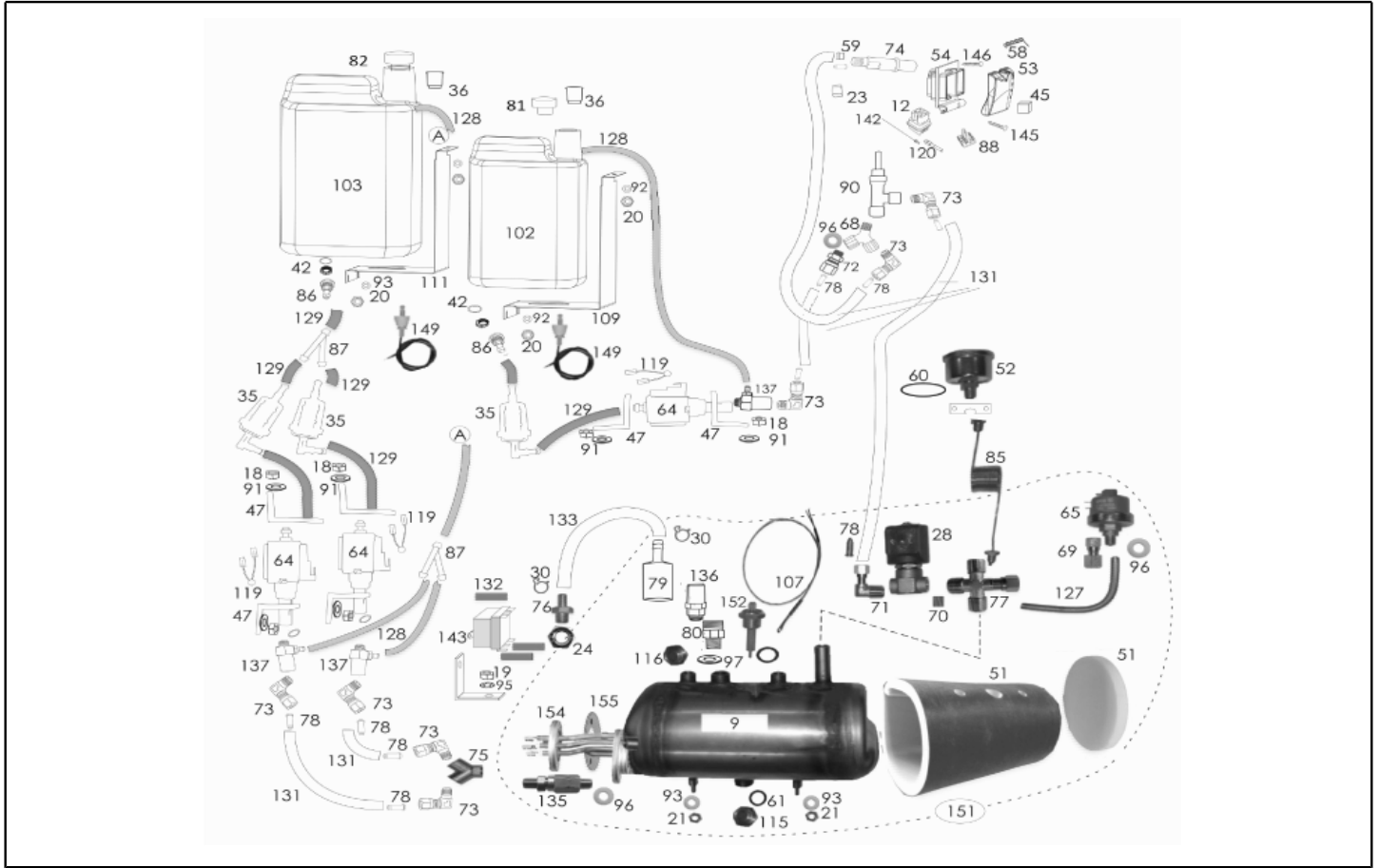
Ref. K	Part n.	Part n. 2	Description	Quantity	Validity		Price
					From	To	
0001	ETET41190		LABEL SV.08	1,00			--
0002	ETET41323		LABEL SV.08	1,00			--
0003	ETET41325		LABEL LIV. SG-48	1,00			--
0004	ETET41432		LABEL LIV. SG-55	1,00			--
0005	ETET41433		LABEL MAX 1400 W SG-55	1,00			--
0006	ETET41434		LABEL MOD.SG-55 IPC	1,00			--
0008	MEVR40290		CABLE CLAMP D8 KSS	2,00			--
0010	MECB40559		WIRING SG-55	1,00			--
0011	LAFN49974		SMALL BASKET SG.48	1,00			--
0013	LAFN49979		GREY CHASSIS SG-55	1,00			--
0014	MECV00224		CABLE 4X2,5 H07 RNF	10,00			--
0015	MEVR40000		SOCKET CS-023-K 2P+T 230-16 IP54	1,00			--
0016	MEVR01893		PLUG WMX 16A 3P+T 380 V T.2130	1,00			--
0017	MECB40457		CABLE 2X1 L=49	1,00			--
0025	MEVR13641		FUSE 5X20 8A	1,00			--
0037	MEVR02047		FUSE 8A 6,3X32 GLASS	1,00			--
0038	MEVR40291		FUSE 10,3X38 20A	3,00			--
0039	MEVR02393		FUSE 6,3x32 T 6.3A 250V	1,00			--
0040	GUVR40123		GASKET SG.48 STEAM	1,00			--
0041	GUGO40084		GASKET D. 30 V.TR6 BK.	1,00			--
0043	GUVR40124		GASKET SG.48	1,00			--
0044	GUGO40095		GASKET SG-48	1,00			--
0046	GUGO40096		GASKET D. 30 V.TR6 BK.	1,00			--
0048	MECI40060		SWITCH BASC.BIP.+CAPPUCC.	1,00			--
0049	MECI40061		SWITCH 20A 3P 380V	1,00			--
0050	MEVR40292		FRAME 48X48 GI/RO	1,00			--
0057	MEVR40293		FUSE-HOLDER 3X38	1,00			--
0062	MEVR71668		CABLE CLAMP	1,00			--
0063	MPVR40891		KNOB SG.08/10	1,00			--
0066	MPVR40999		PROTECTION Q.EL. KD30	1,00			--
0083	VTAE13512		CIRCLIP D. 17 UNI 7435	2,00			--
0084	CHVR40003		CLOSURE L= 75 LOLY 50	2,00			--
0094	VTRS00509		WASHER D.20 PIANA Z. UNI6592	2,00			--
0098	RTRT40055		TURNING WHEEL D. 50 M8	2,00			--
0099	RTRT40056		WHEEL D.200-D.20 LIV	2,00			--
0104	MECE40098		GEARCASE/BOARD SG-55	1,00			--
0105	MECE40079		DISPLAY TR6/AC-VP	1,00			--
0106	MECE40080		PCB HWC	1,00			--
0108	LAFN41265		SUPPORT SG-55	1,00			--
0112	LAFN41267		SUPPORT L.230 SG-55	1,00			--
0113	MPVR41001		SOCKET SUPPORT SG.48	1,00			--
0114	MPVR40890		TERMINAL BOARD VAP.STI	1,00			--
0117	MPVR40897		TANK CAP STM-SG.10	1,00			--
0118	MPVR40982		TANK CAP STM-SG.10	1,00			--



Ref. K	Part n.	Part n. 2	Description	Quantity	Validity		Price
					From	To	
0121	LAFN41268		FRAME INOX SG-55	1,00			--
0122	LAFN41269		LAT. PANEL DX SG-55	1,00			--
0123	LAFN41270		LAT. PANEL SX SG-55	1,00			--
0124	LAFN41271		PROTECTION TRASF. SG-55	1,00			--
0125	METR40027		AUTOTRANSFORMER AT1	1,00			--
0126	ASDO13463		VACUUM CLEANER A.303 NE	1,00			--
0130	MEVR40229		SHEATH D.25 TH. SG.48	0,25			--
0134	TBFX00161		HOSE FLEX D.40	0,41			--
0138	VTVR40067		HANDWHEEL M 6MAX10-LP 30	2,00			--
0150	LAFN49978		SUPPORT SG.48	1,00			--
0157	VTVR40061		SMALL CHAIN NR.8 NIK.	2,00			--
0158	MPVR40893		HANDLE SG.08/10 M6	1,00			--
9999	IPIP40021		GRIP STI ASP.VP. +4.0 MT	1,00			--



Ref. K	Part n.	Part n. 2	Description	Quantity	Validity		Price
					From	To	
0009	LAFN41273		BOILER STEAMER 9.0 SG-55 380V	1,00			--
0012	MEVR40226		CONNECTOR 4 V. M.M.FIT MLX	1,00			--
0019	VTDD00147		NUT M 4 INX U.5588	12,00			--
0020	VTDD00130		NUT M. 6	15,00			--
0021	VTDD15520		NUT M 6 A2 UNI 5588 INX	10,00			--
0028	MEEV40019		ELECTROVALVE B50	1,00			--
0035	FTAC40018		WATER FILTER D.30 PG.90° PLS.	3,00			--
0036	FTAC40019		WATER FILTER D.30 TNK. PE BK.	2,00			--
0042	GUVR40132		GASKET D. 20X12 SP.1	3,00			--
0045	GUGO40148		GASKET MBL 22X22X10	1,00			--
0047	MPVR40895		SUPPORT SV.10 A.VB.	6,00			--
0051	ITSO40003		INSULATOR SP.15MM SG-55	1,00			--
0052	MNMN40023		PRESSURE GAUGE 0-12 D.50 ATT.POST.1/8G	1,00			--
0053	MEVR40227		DOOR VAP. T.NA.	1,00			--
0054	MPVR40998		CONTROL COVER ELT PP BLK	1,00			--
0058	MLML40048		SPRING AR HPV	1,00			--
0059	RCVR40203		SPINNER SAMPLE D.8 MM	1,00			--
0060	GUGO01263		O-RING D. 28.30 X 1.78 NBR 70SH	1,00			--
0061	GUGO03499		O-RING D. 13.10 X 2.62 VIT 70SH	1,00			--
0064	PPEL40098		PUMP BY-P. 230V OT	3,00			--
0065	MEPF40048		PRESSURE SWITCH XP 1/8G 6.0BAR	1,00			--
0068	RCVR47486		CONNECTOR Y 1/8 M/F/F	1,00			--
0069	RCVR46851		BI-CONE CONNec. DTT 1/8" F B2 D. 4/ 6 NIC	1,00			--
0070	RCDS59682		CAP 1/8 M OT.NIK EI.CN	1,00			--
0071	RCVR40136		BI-CONE CONNec. L 1/4" M CN D.6/ 8 NIK	1,00			--
0072	RCVR40075		BI-CONE CONNec. DTT 1/8" M CL D. 6/ 8 INX	1,00			--
0073	RCVR40192		BI-CONE CONNec. L 1/8" M CN D.6/ 8 NIK	8,00			--
0074	RCIN40046		JOINT STEAM OT.	1,00			--
0075	RCVR40215		CONNECTOR Y 1/8 F/F/F	1,00			--
0076	RCDS85485		HOSE FITTING 3/8 M D. 12	1,00			--
0077	RCVR40202		CROSS 1/2 MM-1/4 F/F SV.12 OT.	1,00			--
0078	RCVR40204		SPINNER SAMPLE D.8 MM	10,00			--
0079	RCDS40190		CAP SG-50 OT.	1,00			--
0080	RCDS40189		BUSHING SG-50 OT.	1,00			--
0081	MPVR41000		CONNECTOR SG-48 STEAM	1,00			--
0082	MPVR41119		CONNECTOR SG-55 STEAM	1,00			--
0085	TBAP40227		RIGID TUBE L=1000 1/8 F-F	1,00			--
0086	RCVR40205		SPINNER SAMPLE D.8 MM	3,00			--
0087	RCVR40216		HOSE FITTING PPL D.4 A Y	2,00			--
0090	RCGR40016		TAP STEAM SG.10 1/8F-F	1,00			--
0096	VTRS04929		WASHER D.10 X14X1.5 AL	7,00			--
0097	VTRS01590		WASHER D.13.5X19 X1.5 AL	2,00			--
0102	MPVR88900		TANK 5 LT WH.	1,00			--
0103	MPVR41123		TANK 15 LT WH.	1,00			--



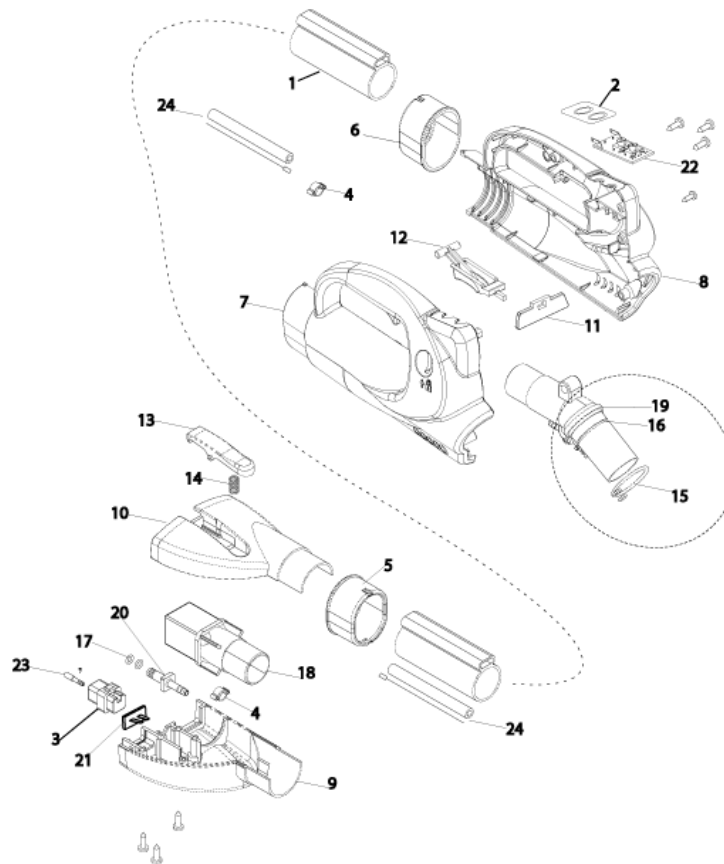
Ref. K	Part n.	Part n. 2	Description	Quantity	Validity		Price
					From	To	
0107	MEVR40295		PROBE NTC/10K	1,00			--
0109	LAFN49976		SUPPORT 5L V.AL INOX	1,00			--
0111	LAFN41266		SUPPORT 15L INOX	1,00			--
0115	RCVR40206		CAP STM-SV.10	1,00			--
0116	RCVR63390		CAP G 1/4	1,00			--
0119	METK40016		KLIKSON F11 100°C	3,00			--
0120	MEVR40228		PIN M 2.6 V.2	4,00			--
0127	LAFN41051		TUBE D. 6 STM SV-50 RM.	1,00			--
0128	TBBP00058		L.P. HOSE D. 4- 7	0,80			--
0129	TBBP89815		L.P. HOSE D. 4- 8.5 SILIC. NT.	1,00			--
0131	TBBP41919		L.P. HOSE D. 6- 8 TEFLON	2,00			--
0133	TBBP40135		HOSE D.13X19 SIL.	0,50			--
0135	VVSF40021		VALVE 1/8M-F OT. VIT. 250°C	1,00			--
0136	VVSC40023		VALVE SG10 G 1/8M 8 BAR	1,00			--
0137	VVSF40020		VALVE N.RT. S11 OT	3,00			--
0143	METK40024		THERMOSTAT 175°C A RIP.	1,00			--
0149	MECI40051		SENSOR LEVEL QV6 CBL.	2,00			--
0151	CDVE40058		BOILER 9.0 SG-55 380V	1,00			--
0152	MECI40052		PROBE TR6	1,00			--
0154	MEVR40296		RESISTANCE TR 9000W 230V	1,00			--
0155	GUVR40133		GASKET D. 88X54 + FORI SP.2	1,00			--



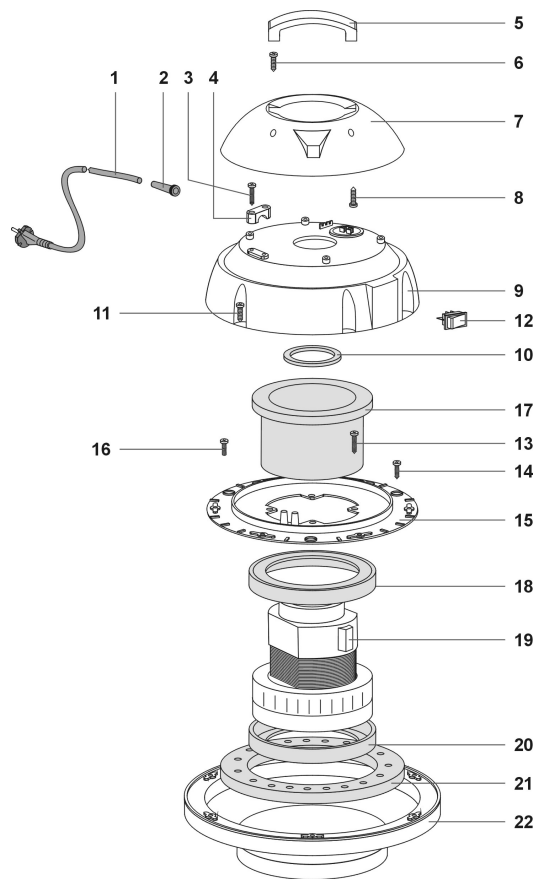
IPC Integrated Professional Cleaning

IPC Soteco

Ref. K	Part n.	Part n. 2	Description	Quantity	Validity		Price
					From	To	
0001	PMTA08893		VACUUM HEAD 303	1,00			--



Ref. K	Part n.	Part n. 2	Description	Quantity	Validity		Price
					From	To	
0001	TBFX40011		TUBE FLEX D.180 L= 70 PVC GR	1,00			--
0002	ETET41366		LABEL COMBO-C PLC	1,00			--
0003	MEVR40245		CONNECTOR 4 V. M M.FIT MLX	1,00			--
0004	FSVR40022		CLAMP D. 10 CLIC 100	2,00			--
0005	MPVR41003		RING NUT M 39 X 3 KSM RB.	1,00			--
0006	MPVR41004		RING NUT M 39 X 3 KSM RB.	1,00			--
0007	MPVR41005		SHELL ST 1100	1,00			--
0008	MPVR41006		SHELL ST 1100	1,00			--
0009	MPVR41007		SHELL ST 1100	1,00			--
0010	MPVR41008		SHELL ST 1100	1,00			--
0011	MPVR41009		SHELL ST 1100	1,00			--
0012	MPVR41010		SHELL ST 1100	1,00			--
0013	MPVR41011		SHELL ST 1100	1,00			--
0014	MLML40049		SPRING AR HPV	1,00			--
0015	GUGO10464		O-RING D. 5.28 X 1.78 NBR 70SH	2,00			--
0016	GUGO01263		O-RING D. 28.30 X 1.78 NBR 70SH	1,00			--
0017	GUGO01055		O-RING D. 5.28 X 1.78 VIT 70SH	2,00			--
0018	MPVR41012		SHELL ST 1100	1,00			--
0019	MPVR41013		SHELL ST 1100	1,00			--
0020	RCIN40050		JOINT STEAM OT. D.6+OG.	1,00			--
0021	MPVR41014		SHELL ST 1100	1,00			--
0022	MECE40085		PCB HWC	1,00			--
0023	MEVR40246			2,00			--
0024	TBBP40146		TUBE EPDM-AT 5-11 200°C 10BAR	5,00			--



Ref. K	Part n.	Part n. 2	Description	Quantity	Validity		Price
					From	To	
*	MECB35712		CABLE MIR. 500/600	1,00			--
0002	MEVR28673		FAIR-LEAD SZ G	1,00			--
0003	VTVT71961		SCREW PFU TMT PHL 5X20 ZN NERA	2,00			--
0004	MPVR28690		CABLE FASTNER MIR.	1,00			--
0005	MPVR34361		HANDLE MIR. AMST.N	1,00			--
0006	VTVT71961		SCREW PFU TMT PHL 5X20 ZN NERA	4,00			--
0008	VTVT71961		SCREW PFU TMT PHL 5X20 ZN NERA	2,00			--
0010	MPVR38371		SPACER MIR. H8 S.600	1,00			--
0011	VTVT71961		SCREW PFU TMT PHL 5X20 ZN NERA	6,00			--
0012	MECI72195		SWITCH	1,00			--
0013	VTVT71961		SCREW PFU TMT PHL 5X20 ZN NERA	4,00			--
0014	VTVT71960		SCREW SCREW PAT TMT PHL 5X14 ZN	2,00			--
0015	MPVR38366		MOTOR SUPPORT MIR. D.WET	1,00			--
0016	VTVT71962		SCREW TNT M 5x9,5 PH	1,00			--
0017	FTDP38066		AIR FILTER MIR. MTP/65 H.88	1,00			--
0018	GUGO28683		GASKET MIR. L/M	1,00			--
0019	MOMO00624		MOTOR BD382 1200W 220-240 50/60	1,00			--
0020	GUGO28683		GASKET MIR. L/M	1,00			--
0021	FTDP38067		RING MTP/65	1,00			--
0022	PMBA00375		BASE 300 C/GUAR+PI. NERO	1,00			--