

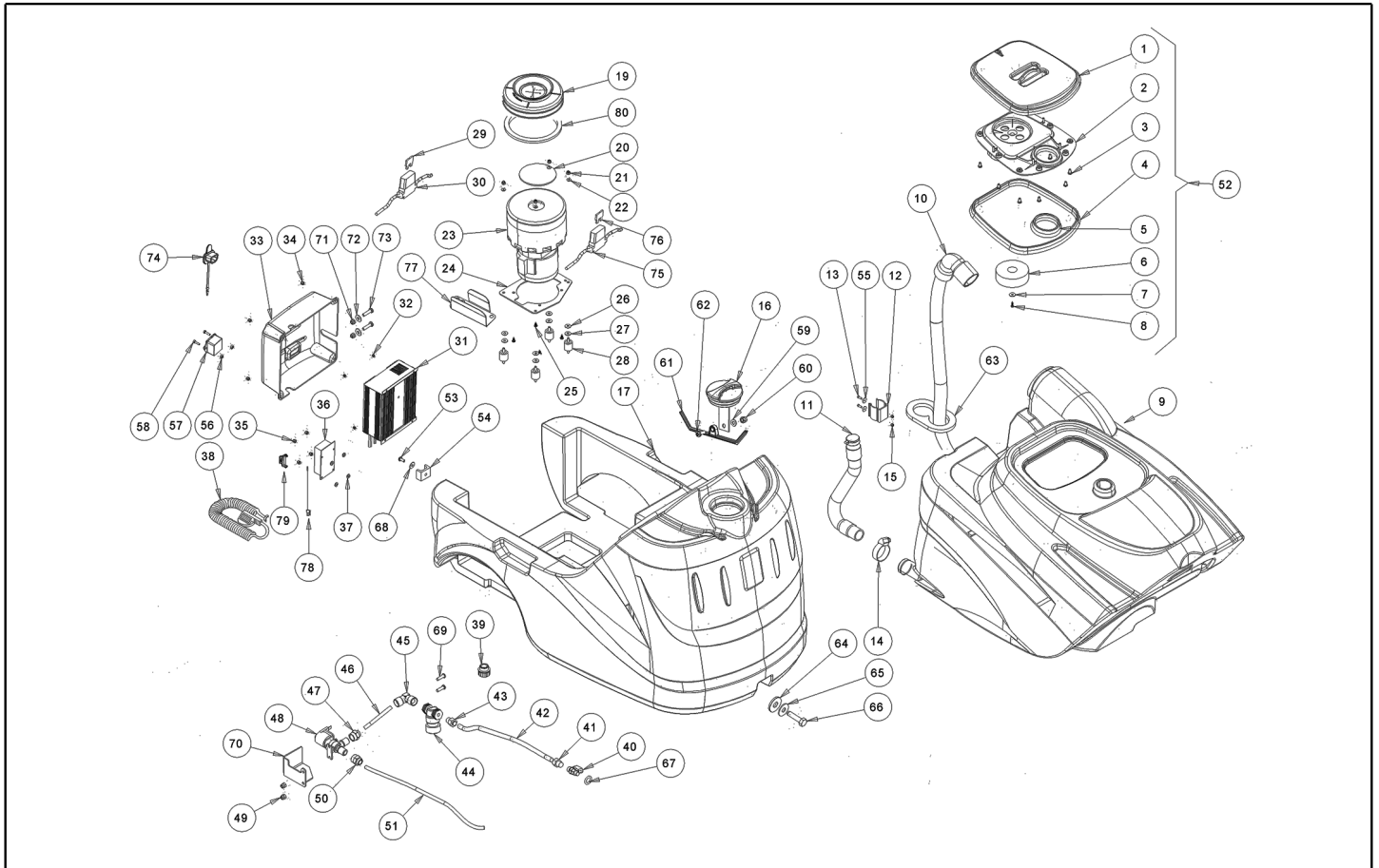


IPC

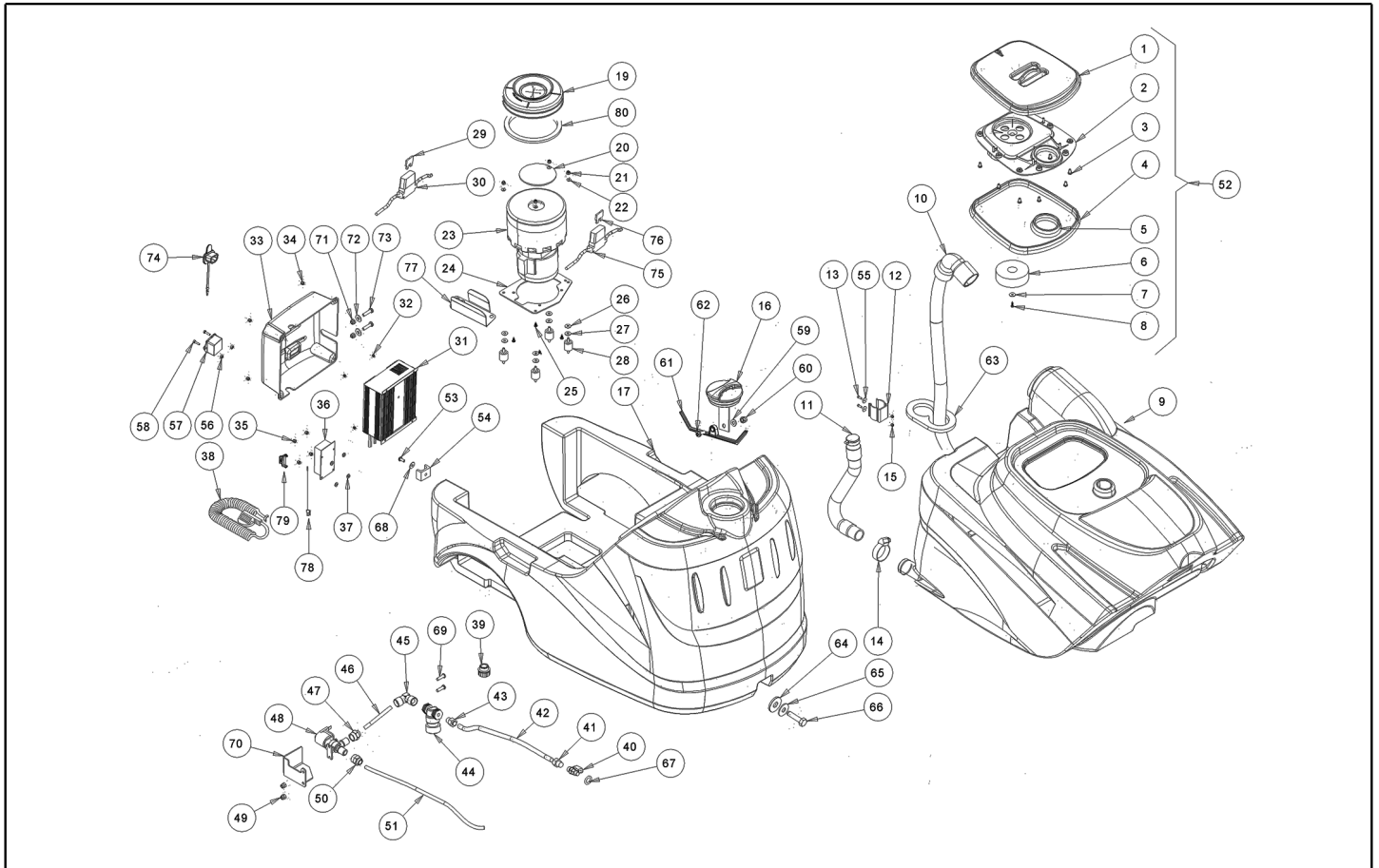
Spare parts list

Ref: LPTB01520

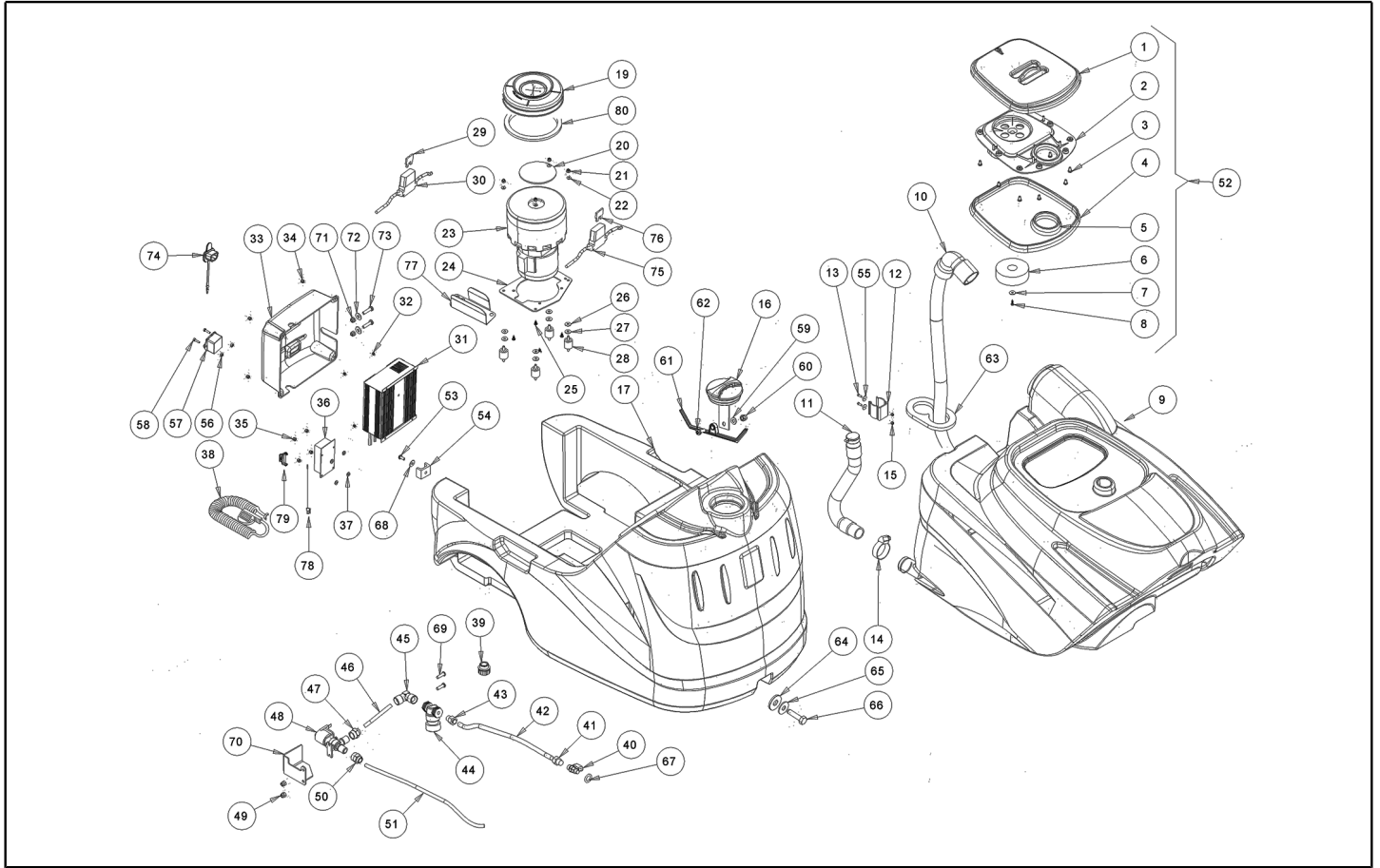
Model: FLOOR WASHER CT45 B50+BAT GR/VE



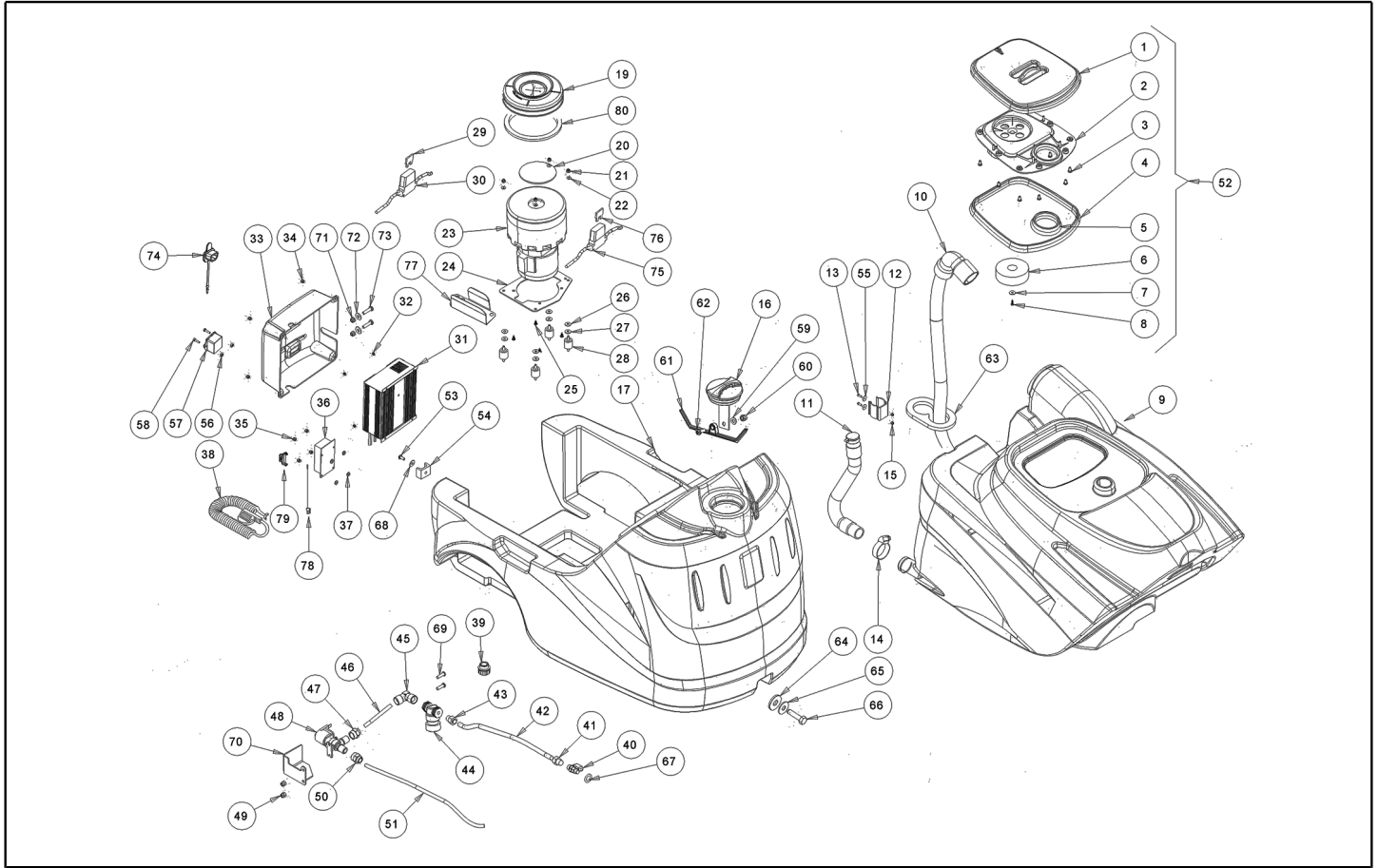
Ref. K	Part n.	Part n. 2	Description	Quantity	Validity		Price
					From	To	
0001	MPVR05825		COVER -	1,00			--
0002	MPVR05826		COVER INNER LID TANK CT15-30	1,00			--
0003	VTVT01694		SCREW SELF TAPPING 4.8X9.5 SUS	8,00			--
0004	GUVR00306		GASKET RECOVERY TANK LID CT15	1,00			--
0005	GUVR00307		GASKET -	1,00			--
0006	MPVR05836		FLOATER RECOVERY TANK LID	1,00			--
0007	VTRS00573		WASHER 30x6x3	1,00			--
0008	VTVT48694		SCREW TCB TC 5 X12 UNI 9707 TZ	1,00			--
0009	MPVR06244		TANK CT45	1,00			--
0010	KTRI04698		KIT REPLACEMENT TBFX00357	1,00			--
0011	TBFX00350		TUBE HOSE DRAIN CT30	1,00			--
0012	MPVR46988		CLIP FIXATION DRAIN HOSE	1,00			--
0013	VTVT29884		SCREW TE UNI 5739 4X16 ZB	2,00			--
0014	FSVR00002		CLAMP EKOFLEX 9 23-35	1,00		14/12/2014	--
0014	FSVR00095		CLAMP 30-45	1,00	15/12/2014		--
0015	VTDD04369		NUT M 4 TEF UNI 7473	2,00			--
0016	MPVR05188		CAP SOLUTION TANK	1,00			--
0017	MPVR06245		TANK CT45	1,00			--
0019	GUGO00444		GASKET -	1,00		03/10/2016	--
0019	GUGO00498		GASKET	1,00	04/10/2016	13/03/2019	--
0019	GUGO00599		GASKET	1,00	14/03/2019		--
0020	LAFN05830		FILTER VAC.MOTOR SUS	1,00			--
0021	VTDD07727		NUT M 5 INOX	4,00			--
0022	VTRS15908		WASHER D. 5 INX GRW UNI 1751	4,00			--
0023	MEVR05200		CARBON BRUSH VACUUM 116599-XX	2,00			--
0023	MOCC00397		MOTOR VACUUM CT15-30-45-46	1,00			--
0024	LAFN08894		PLATE -	1,00			--
0025	VTVT48694		SCREW TCB TC 5 X12 UNI 9707 TZ	4,00			--
0026	VTRS13750		WASHER D. 5X14 INX	4,00			--
0027	VTRS13750		WASHER D. 5X14 INX	4,00			--
0028	ABGO00052		VIBRATION DAMP. -	4,00			--
0029	MEVR02048		FUSE 40A	1,00			--
0030	MECB01286		WIRING FUSE HOLDER CT30 BATTERY	1,00			--
0031	BACA00156		BATTERY-CHARGER 24V 10A CT30	1,00		05/05/2015	--
0031	BACA00166		BATTERY-CHARGER 24V 10A CT30	1,00	06/05/2015		--
0032	VTDD00001		NUT UNI 5588 M3 ZB	4,00			--
0033	MPVR06234		COVER CT30	1,00			--
0034	VTDD04368		NUT M 4 ZIN UNI 5588	4,00			--
0035	VTDD04368		NUT M 4 ZIN UNI 5588	4,00			--
0036	MECE00578		BOARD POWER CT15-CT30	1,00		20/09/2015	--
0036	S MECE00606		BOARD POWER CT15-CT30-45	1,00	21/09/2015	05/04/2016	--
0036	MECE00741		BOARD POWER CT45B-BT	1,00	06/04/2016	13/07/2016	--
0036	MECE00742		BOARD POWER CT15-30-45B-BT	1,00	14/07/2016	13/11/2018	--
0036	MECE00808		BOARD POWER CT15-30-45B-BT	1,00	13/11/2018	28/03/2019	--



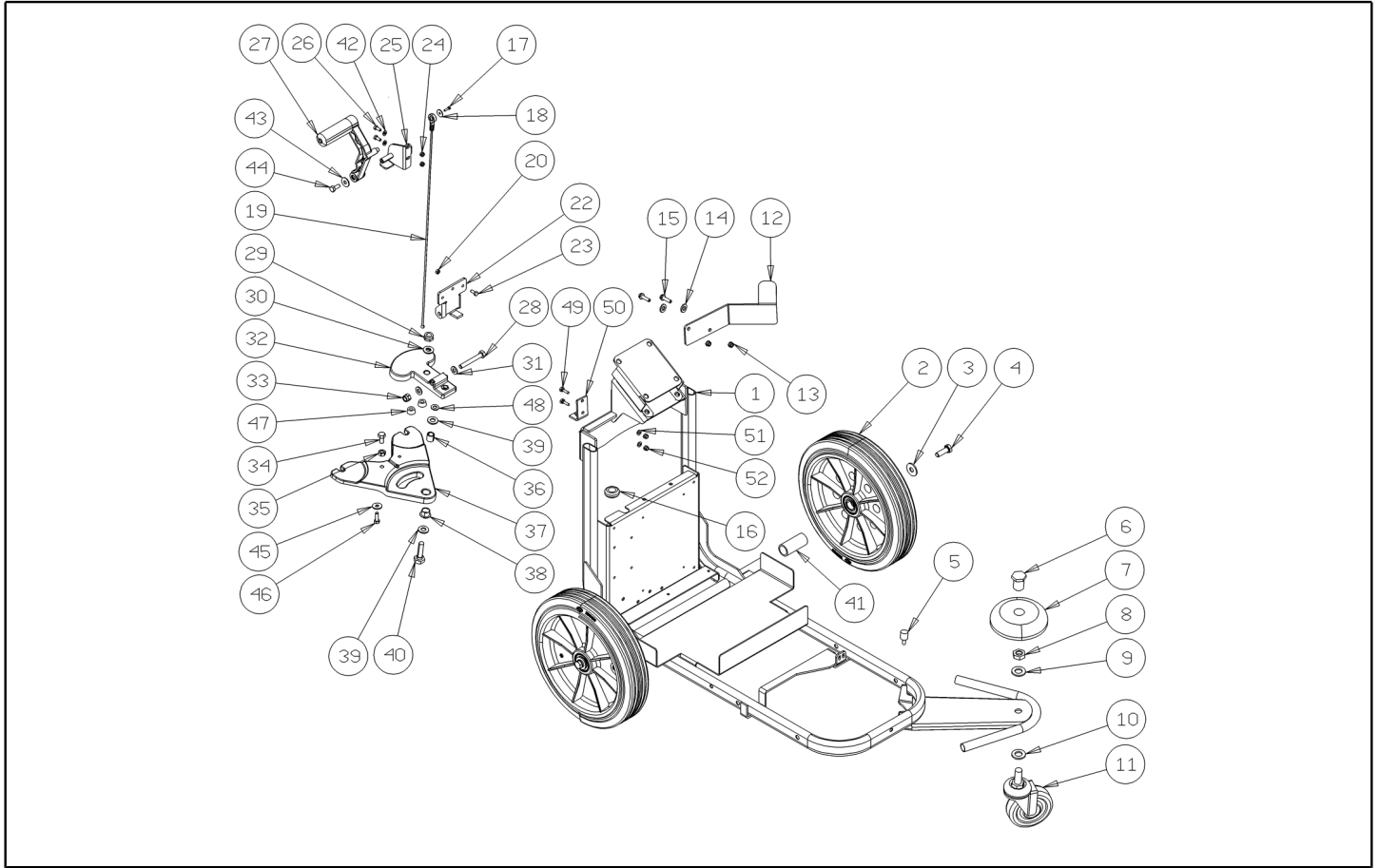
Ref. K	Part n.	Part n. 2	Description	Quantity	Validity		Price
					From	To	
0036	MECE00827		BOARD POWER CT15-30-45B-BT	1,00	29/03/2019		--
0037	VTRS00377		WASHER M4	4,00		29/01/2019	--
0037	VTRS00501		WASHER D. 4 0.232 UNI 6592	4,00	30/01/2019		--
0038	MECB00922		EXTENSION 3x0,75 SHUKO PLUG	1,00			--
0039	MPVR08003		CAP	1,00		01/11/2016	--
0039	MPVR10774		CAP 1/2"	1,00	02/11/2016		--
0040	RCGR00082		VALVE -	1,00			--
0041	RCVR00784		CONNECTOR -	1,00			--
0042	TBBP00511		TUBE -	0,33			--
0043	RCVR00784		CONNECTOR -	1,00		09/04/2015	--
0043	RCVR00789		CONNECTOR -	1,00	10/04/2015	28/05/2015	--
0043	RCVR00807		CONNECTOR 10 1/4	1,00	29/05/2015		--
0044	FTAC00044		FILTER CT15-CT30	1,00		20/05/2018	--
0044	FTAC00075		FILTER COMPLETE CT15-30-45 P2,3	1,00	21/05/2018		--
0045	RCVR00773		CONNECTOR 1/4	1,00			--
0046	TBBP00481		TUBE -	0,20			--
0047	RCVR00772		CONNECTOR 1/4	1,00			--
0048	KTRI02139		SOLENOID VALVE CT45	1,00			--
0049	VTVT48694		SCREW TCB TC 5 X12 UNI 9707 TZ	2,00		13/05/2013	--
0049	VTDD00055		NUT M 4 ATB A2	2,00	14/05/2013		--
0050	RCVR00772		CONNECTOR 1/4	1,00			--
0051	TBBP00481		TUBE -	0,48			--
0052	KTRI01989		KIT RECOVERY LID	1,00			--
0053	VTVT00311		SCREW TE M4X12	1,00			--
0054	FSVR00243		BASE CABLE TIE, PLASTIC	1,00			--
0055	VTRS05904		WASHER UNI 6592 4X16 ZB	2,00			--
0056	VTDD00001		NUT UNI 5588 M3 ZB	2,00			--
0057	MEVR02074		PLUG IEC	1,00			--
0058	VTVT00035		SCREW M 3X 8 TS TC ZC	2,00			--
0059	VTRS00515		WASHER D. 4 INX	1,00			--
0060	VTDD00055		NUT M 4 ATB A2	1,00			--
0061	MPVR08038		PLATE CT15-30	1,00			--
0062	VTVT15965		SCREW TCB-TC 4X12 UNI7687 INX	1,00			--
0063	MPVR04659		FLANGE	1,00			--
0064	VTRS16937		WASHER 6x24 INOX UNI 6593	1,00			--
0065	VTRS13750		WASHER D. 5X14 INX	1,00			--
0066	VTVT01376		SCREW TE M 5X 35 UNI 5739	1,00			--
0067	GUGO31088		O-RING D. 12 X 2.50 NBR 70SH	1,00			--
0068	VTRS00501		WASHER D. 4 0.232 UNI 6592	1,00			--
0069	VTVT15924		SCREW M4X16 UNI7687	2,00	14/05/2013		--
0070	LAFN07948		PROTECTION SOLENOID VALVE	1,00	14/05/2013		--
0071	VTDD15925		NUT M 4 INX+ZN	2,00	16/12/2014		--
0072	VTRS00515		WASHER D. 4 INX	2,00	16/12/2014		--
0073	VTVT15965		SCREW TCB-TC 4X12 UNI7687 INX	2,00	16/12/2014		--



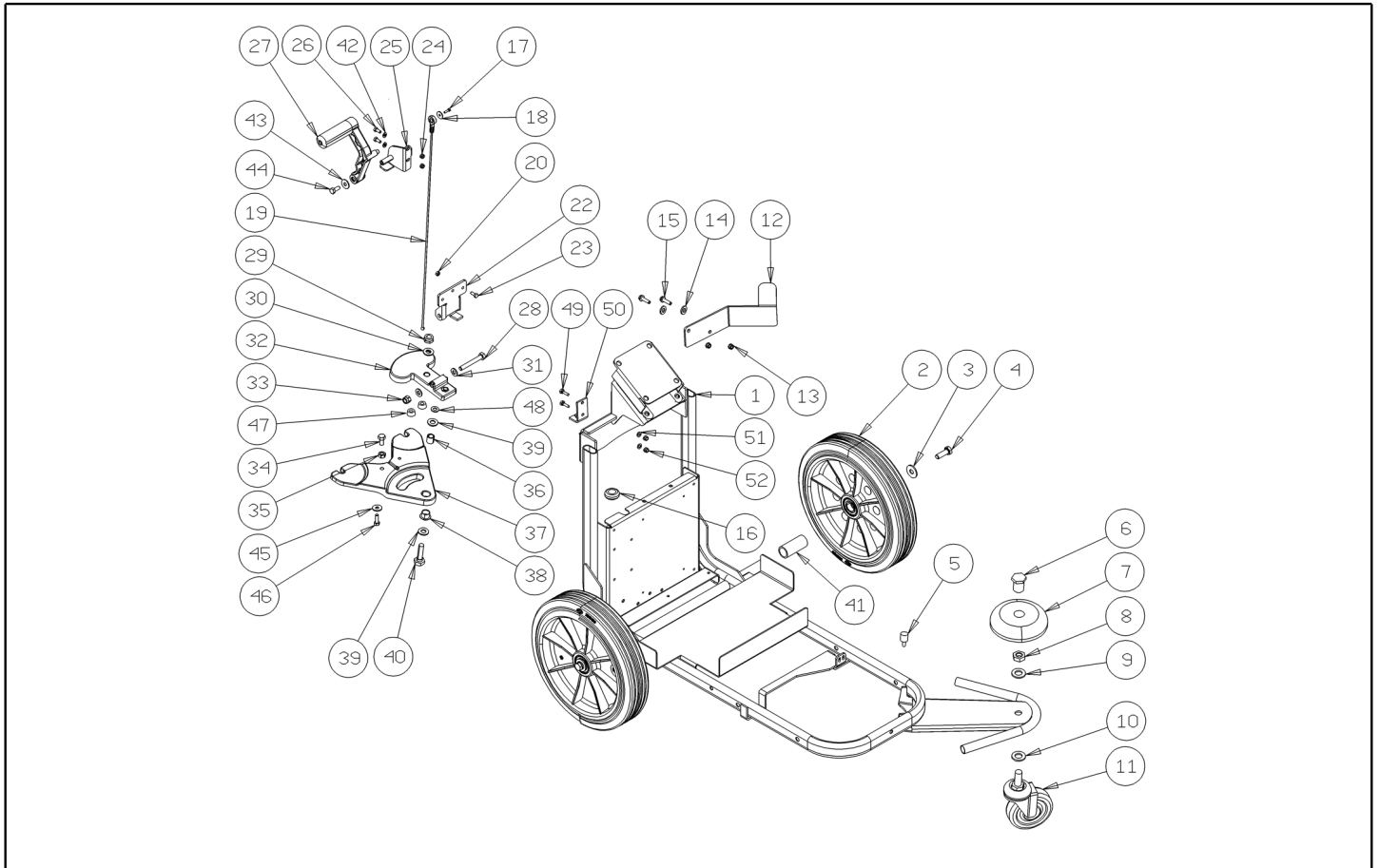
Ref. K	Part n.	Part n. 2	Description	Quantity	Validity		Price
					From	To	
0074	MPVR10801		CAP IEC	1,00	14/10/2016		--
0075	MECB01384		WIRING	1,00			--
0076	MEVR00039		FUSE LAMELLARE 20A	1,00			--
0077	LAFN11082		BRACKET -	1,00	16/01/2017		--
0078	MECB01385		WIRING	1,00			--
0079	MPVR12325		CLIP BLOCK FLAT	1,00	13/11/2018		--
0080	FSVR00264		CLAMP	1,00	14/03/2019		--



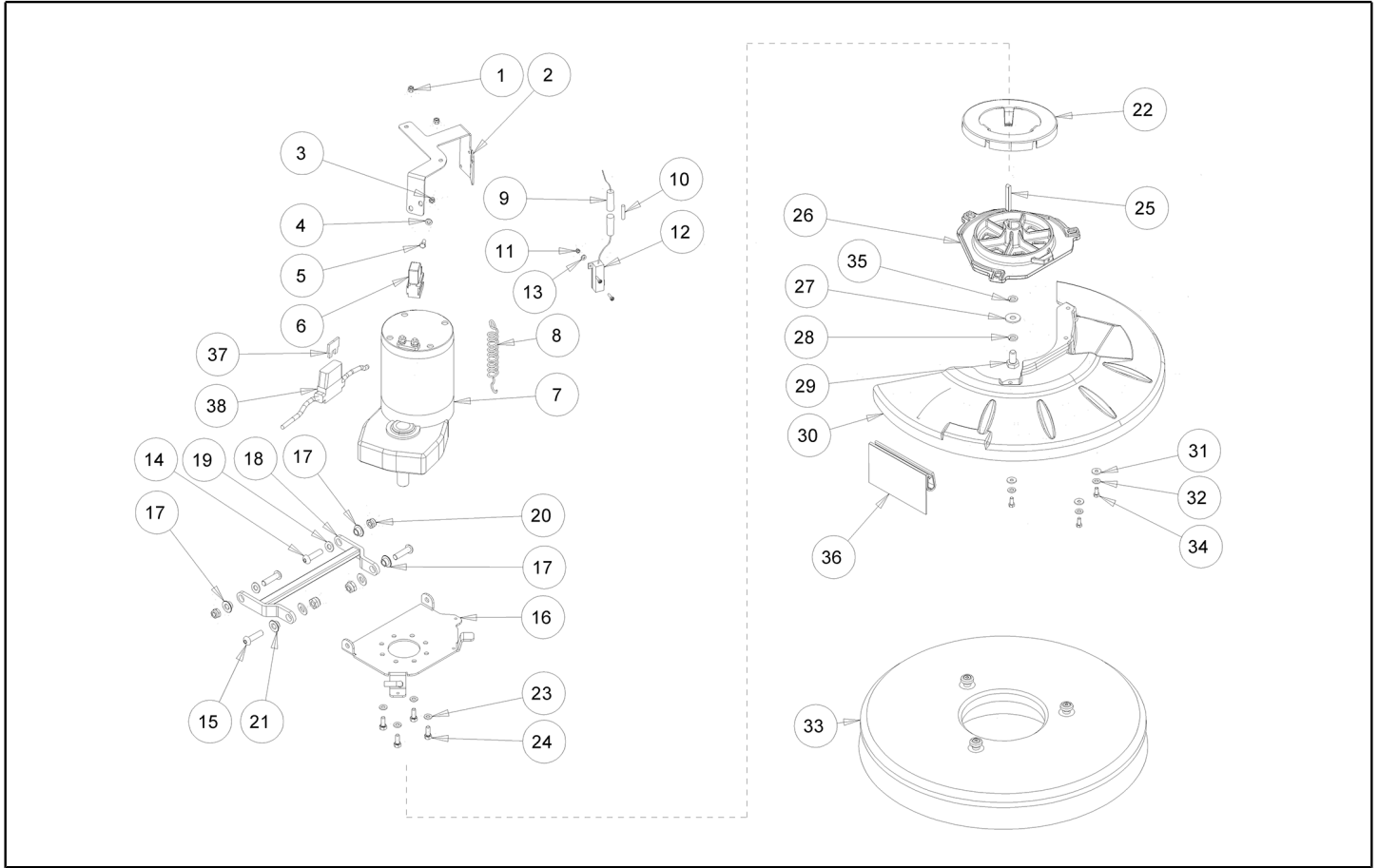
Ref. Part n.	Part n. 2	Description	Reference	Price
KTRI04750		KIT NEW PCB CT30B AND CT45B	0036	--



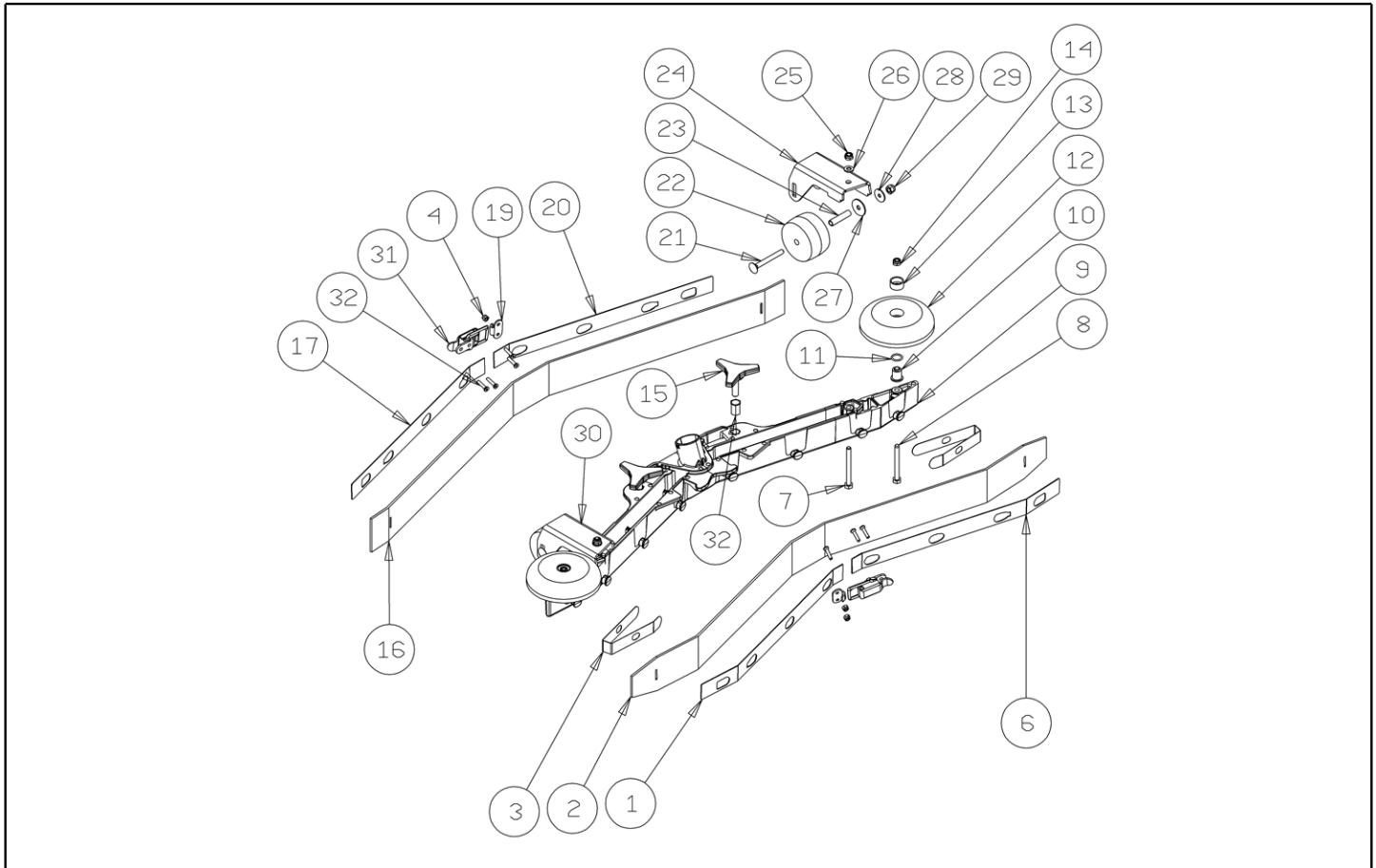
Ref. K	Part n.	Part n. 2	Description	Quantity	Validity		Price
					From	To	
0001	LAFN07963		SHEET METAL PA. -	1,00			--
0002	RTRT00537		WHEEL GRAY d.250 CT15-30-45	2,00			--
0003	VTRS00512		WASHER D. 8 X24 ZC.	2,00			--
0004	VTVT01110		SCREW TE 8X16 UNI5739	2,00			--
0005	MPVR05967		CAP -	1,00			--
0006	LAFN09172		BUSHING -	1,00			--
0007	MPVR05965		WHEEL SIDE BUMPER CT30-45	1,00			--
0008	VTDD00502		NUT M12	1,00			--
0009	VTRS15978		WASHER D.12X24 UNI 6592 INX	1,00		11/02/2015	--
0009	VTRS09142		WASHER UNI 6593 12X36X2,5	1,00	12/02/2015		--
0010	VTRS15978		WASHER D.12X24 UNI 6592 INX	1,00		11/02/2015	--
0010	VTRS09142		WASHER UNI 6593 12X36X2,5	1,00	12/02/2015		--
0011	RTRT00544		WHEEL D.80MXHC	1,00		22/01/2017	--
0011	RTRT00632		WHEEL -	1,00	23/01/2017		--
0012	LAFN08091		BRACKET -	1,00			--
0013	VTDD01694		NUT M6 INOX	2,00			--
0014	VTRS00245		WASHER D.6 UNI 6592 INOX	2,00			--
0015	VTVT15143		SCREW TE 6X16 UNI5739	2,00			--
0016	MEVR00686		FAIR-LEAD DIAMETER 15.5	1,00		17/11/2017	--
0017	VTVT00800		SCREW TC 4X12 ZN	1,00		21/09/2014	--
0018	VTRS00251		WASHER 4-16 INOX A2	1,00		21/09/2014	--
0019	CMCV00459		CABLE CT45	1,00		21/09/2014	--
0019	CMCV00364		CABLE LIFTING SQUEEGEE CT45 NEW	1,00	22/09/2014		--
0020	VTDD15517		NUT M 5 INX	3,00			--
0022	LAFN07944		COUPLING SQUEEGEE	1,00		15/09/2013	--
0022	LAFN08106		COUPLING SQUEEGEE	1,00	16/09/2013		--
0023	VTVT01300		SCREW TE M5X12 INOX	3,00			--
0024	VTDD04369		NUT M 4 TEF UNI 7473	2,00		21/09/2014	--
0025	LAFN08085		BRACKET -	1,00		21/09/2014	--
0026	VTVT29884		SCREW TE UNI 5739 4X16 ZB	2,00		21/09/2014	--
0027	MPVR49942		LEVER SQUEEGEE LIFTING PP	1,00		21/09/2014	--
0028	VTVT00757		SCREW	1,00			--
0029	VTDD10310		NUT AUTOBL.M10 INOX DIN 985	1,00			--
0030	VTRS15523		WASHER D.10 X21 INOX UNI 6592	1,00			--
0031	VTRS13947		WASHER D. 8 INX UNI 6592	1,00			--
0032	MFVR00223		SUPPORT SQUEEGEE CT45	1,00			--
0033	VTDD01695		NUT M 8 INX	1,00			--
0034	VTVT15141		SCREW TE M 6X 25 UNI 5739 INX	1,00			--
0035	VTDD15520		NUT M 6 A2 UNI 5588 INX	1,00			--
0036	LAFN08067		BUSHING CT45	1,00			--
0037	MFVR00224		ARTICULATION SQUEEGEE SUPPORT CT45	1,00			--
0038	CUVR00193		BUSHING -	1,00			--
0039	VTRS15523		WASHER D.10 X21 INOX UNI 6592	2,00			--
0040	VTVT01169		SCREW TE M10X45	1,00			--



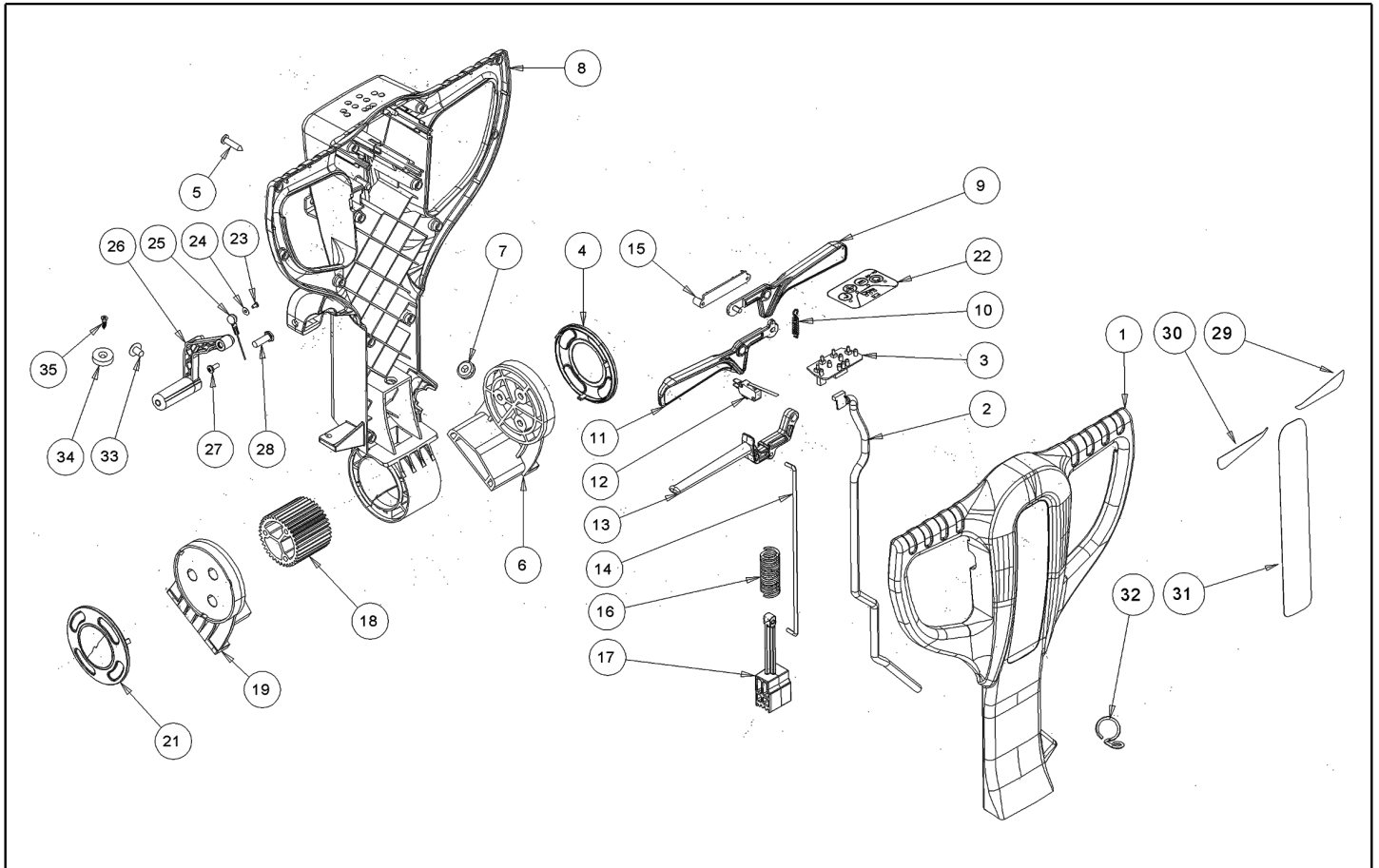
Ref. K	Part n.	Part n. 2	Description	Quantity	Validity		Price
					From	To	
0041	LAFN08093		BUSHING -	2,00			--
0042	VTRS05904		WASHER UNI 6592 4X16 ZB	2,00		21/09/2014	--
0043	VTRS15958		WASHER UNI 6592 5X15X1,5 ZB	1,00		21/09/2014	--
0044	VTVT62916		SCREW TE M5X12 ZN UNI 5739-8.8	1,00		21/09/2014	--
0045	VTRS16937		WASHER 6x24 INOX UNI 6593	1,00			--
0046	VTVT21887		SCREW TCB-TC 4X10 8112	1,00		17/09/2014	--
0046	VTVT00881		SCREW TC+ M4x6 TRILOBATA INOX	1,00	18/09/2014		--
0047	GUGO00234		GASKET 3/4"	1,00		04/07/2013	--
0047	GUGO00321		CONVEYOR -	2,00	05/07/2013		--
0048	MLML34767		SPRING D.10.2 X20	1,00			--
0049	VTVT07725		SCREW TE 5X16 UNI5739 INX	2,00	22/09/2014		--
0050	LAFN09365		BRACKET -	1,00	22/09/2014		--
0051	VTRS00516		WASHER D. 5 INX	2,00	22/09/2014		--
0052	VTDD01693		NUT M 5 INX	2,00	22/09/2014		--



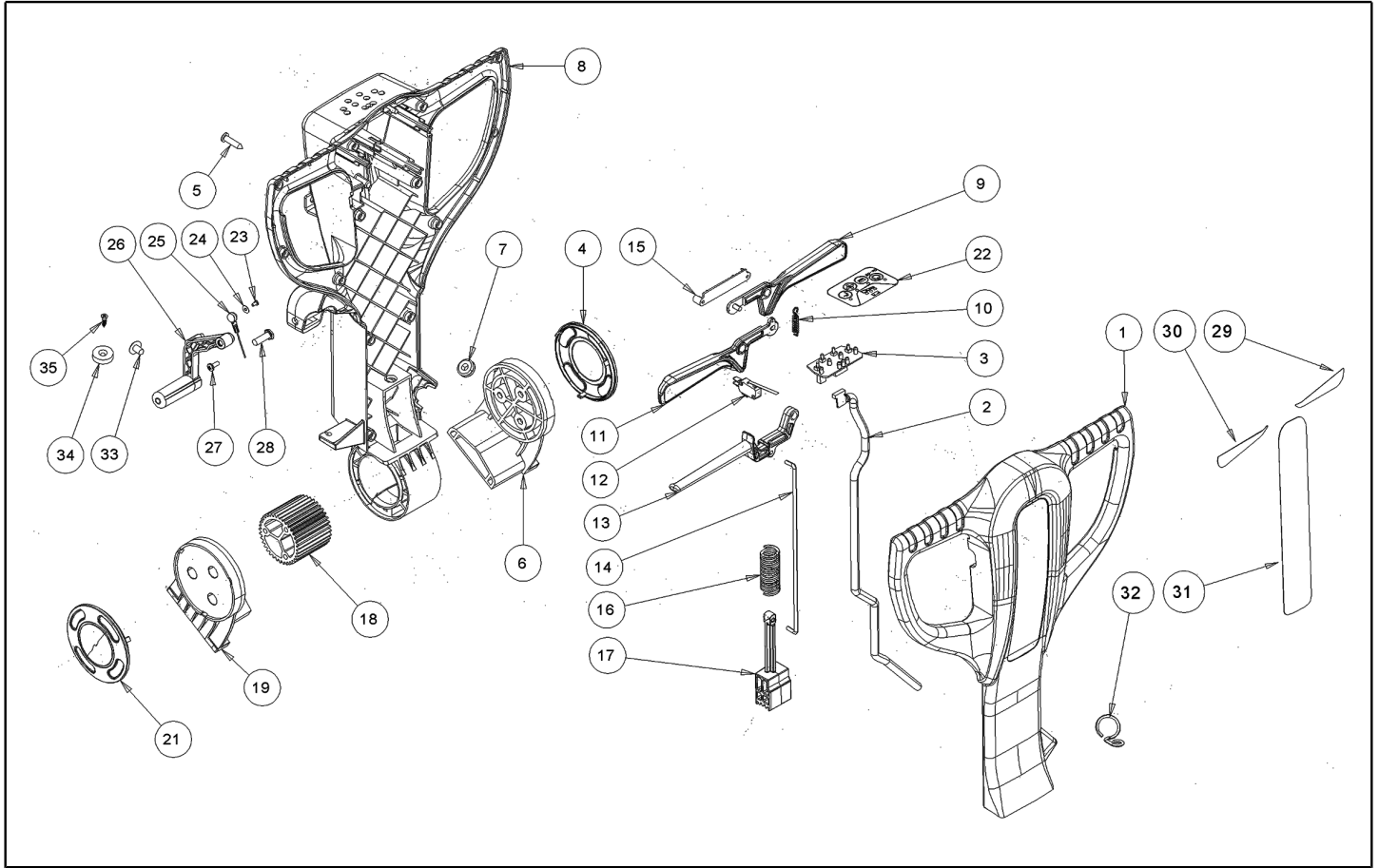
Ref. K	Part n.	Part n. 2	Description	Quantity	Validity		Price
					From	To	
0001	VTDD00128		SELF-LOCJ.NUT M5	2,00			--
0002	LAFN08083		BRACKET -	1,00			--
0003	VTDD01693		NUT M 5 INX	1,00		20/09/2015	--
0004	VTRS13750		WASHER D. 5X14 INX	1,00		20/09/2015	--
0005	VTVT34115		SCREW TE M 5X 10 UNI 5739	1,00		20/09/2015	--
0006	MECI00005		RELAY 24V 10/20A	1,00		20/09/2015	--
0007	MOCC00426		MOTOR 24V 20A 400W IP44	1,00			--
0007	MEVR02828		THERMAL MOCC00426	1,00			--
0007	MEVR34441		BRUSH CARBON CC7X14X19 200/400W	4,00			--
0008	MLML00065		SPRING L0=80 De=12 Df=1.7	1,00		29/10/2013	--
0008	MLML00340		SPRING -	1,00	30/10/2013		--
0009	MEVR00080		FUSE-HOLDER PV610 10A	1,00		20/09/2015	--
0010	MEVR01747		FUSE 6X32 3A T	1,00		20/09/2015	--
0011	VTDD21115		NUT M 3 INOX	2,00		20/09/2015	--
0012	MEVR02066		RESISTANCE 3,3ohm 50W	1,00		20/09/2015	--
0013	VTRS27296		WASHER GROWER 3 ZNT	2,00		20/09/2015	--
0014	VTVT01378		SCREW TBEI M8X35	2,00			--
0015	VTVT01195		SCREW TBEI M 8X 25 ISO 7380 IX	2,00			--
0016	LAFN08104		SUPPORT -	1,00			--
0017	LAFN06391		BUSHING BRUSH DECK SUPPORT	3,00			--
0018	LAFN07910		BRACKET -	1,00			--
0019	VTRS13947		WASHER D. 8 INX UNI 6592	4,00			--
0020	VTDD01695		NUT M 8 INX	4,00			--
0021	LAFN51068		BUSHING LEVA POSTER.	1,00			--
0022	MPVR06045		CONVEYOR -	1,00		16/09/2017	--
0023	VTRS15144		WASHER D. 6 INX GRW UNI 1751	4,00			--
0024	VTVT15906		SCREW TE 6X 12 A2 UNI 5739	4,00			--
0025	VTVR16617		KEY 6X 6X30 UNI 6604	1,00			--
0026	MFVR00212		DRIVE DISK ALUMINIUM	1,00			--
0027	VTRS13946		WASHER D. 8 X24 INX UNI 6593	1,00			--
0028	VTRS15146		WASHER GROVER A2 UNI1751	1,00			--
0029	VTVT13938		SCREW TE 8X20 UNI5739 INX	1,00			--
0030	MPVR06243		COVER CT45	1,00			--
0031	VTRS13750		WASHER D. 5X14 INX	3,00			--
0032	VTRS15908		WASHER D. 5 INX GRW UNI 1751	3,00			--
0033	SPPV01332		BRUSH D.500 NYLON	1,00			--
0034	VTVT01300		SCREW TE M5X12 INOX	3,00			--
0035	VTRS13947		WASHER D. 8 INX UNI 6592	1,00	19/11/2014		--
0036	MPVR06072		FLAP -	1,00			--
0037	MEVR01136		FUSE 30A	1,00			--
0038	MECB01384		WIRING	1,00			--



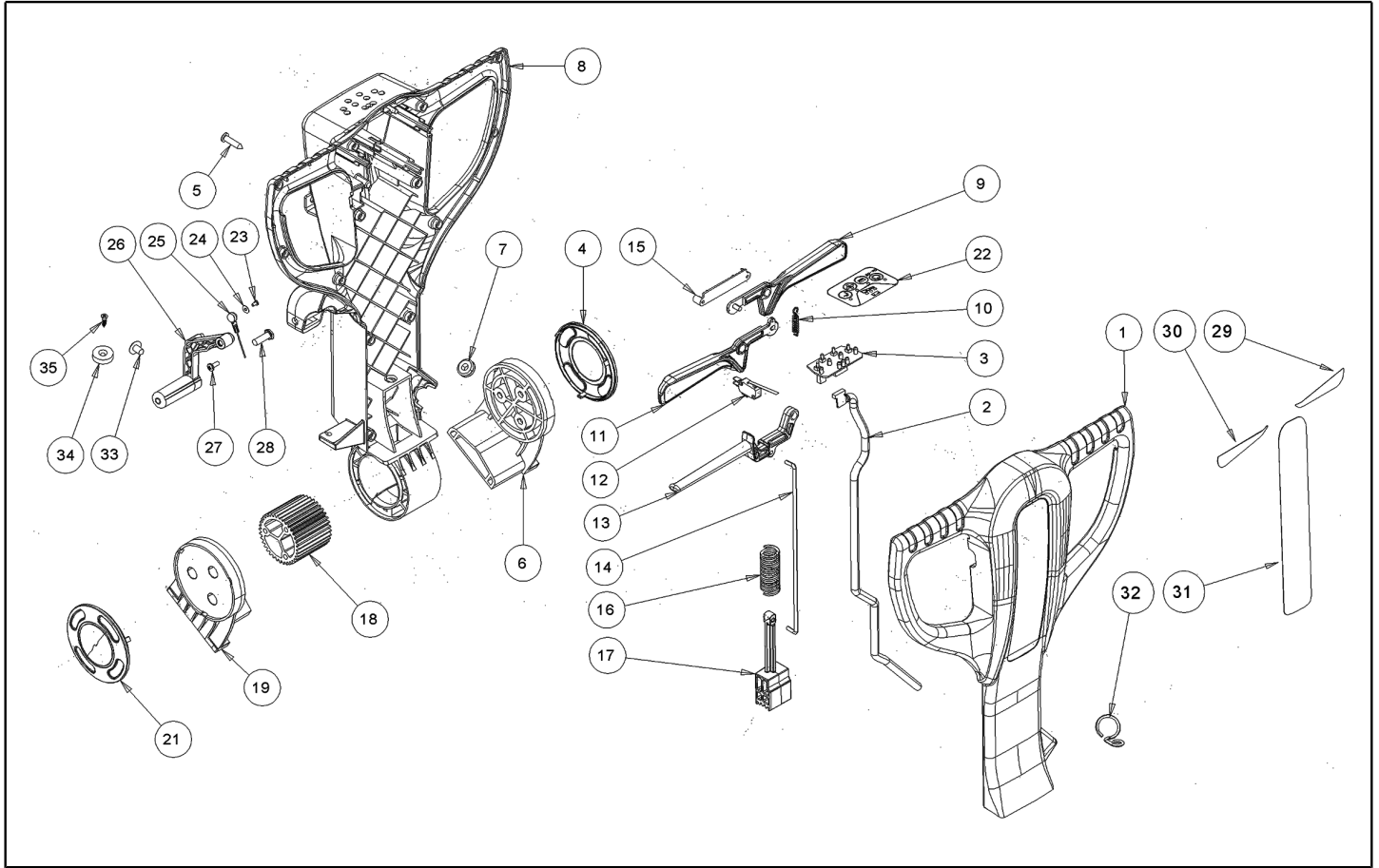
Ref. K	Part n.	Part n. 2	Description	Quantity	Validity		Price
					From	To	
0001	LAFN08940		BRACKET -	1,00		25/09/2013	--
0001	LAFN09275		BLADE HOLDER FRONT RIGHT XS	1,00	26/09/2013		--
0002	MPVR06285		BLADE XS 3MM	1,00		29/07/2013	--
0002	MPVR06287		BLADE XS 3MM LATEX	1,00	30/07/2013		--
0003	MPVR05897		CLOSURE S	2,00			--
0004	VTDD00210		NUT M 3 AUTOBL.DIN 985 IX.A2	8,00	26/09/2013		--
0006	LAFN08945		BRACKET -	1,00		25/09/2013	--
0006	LAFN09276		BLADE HOLDER FRONT LEFT XS	1,00	26/09/2013		--
0007	VTVT17342		SCREW TE M 6X 60 UNI 5739 INX	2,00			--
0008	VTVT00655		SCREW TE M. 6-55	2,00			--
0009	MFVR00143		BODY SQUEEGEE PRESSOFUSO	1,00			--
0010	LAFN04100		SPACER FOR BUMPER WHEEL	2,00			--
0011	GUGO00164		GASKET	2,00			--
0012	MPVR05290		ROLLER SIDE BUMPER WHEEL	2,00			--
0013	MPVR49229		BUSHING SHK	2,00			--
0014	VTDD01694		NUT M6 INOX	2,00			--
0015	MPVR06003		KNOB AISI 304	2,00		05/03/2013	--
0015	MPVR06004		KNOB SQUEEGEE YELLOW M8X30	2,00	06/03/2013		--
0016	MPVR06286		BLADE XS 3MM	1,00		29/07/2013	--
0016	MPVR06288		BLADE XS 3MM LATEX	1,00	30/07/2013		--
0017	LAFN08946		BRACKET -	1,00		25/09/2013	--
0017	LAFN09277		BLADE HOLDER REAR RIGHT XS	1,00	26/09/2013		--
0019	LAFN09301		SOCKET -	2,00	26/09/2013		--
0020	LAFN08947		BRACKET -	1,00		25/09/2013	--
0020	LAFN09278		BLADE HOLDER REAR LEFT XS	1,00	26/09/2013		--
0021	VTVT01206		SCREW M6X55	2,00			--
0022	RTRT00523		WHEEL -	2,00			--
0023	LAFN07589		SPACER -	2,00			--
0024	LAFN09217		SUPPORT SX	1,00			--
0025	VTDD01694		NUT M6 INOX	2,00			--
0026	VTRS00245		WASHER D.6 UNI 6592 INOX	2,00			--
0027	VTRS16937		WASHER 6x24 INOX UNI 6593	2,00			--
0028	VTRS13945		WASHER D. 6X18 INX UNI 6593	2,00			--
0029	VTDD15518		NUT M 6 INX	2,00			--
0030	LAFN09216		SUPPORT DX	1,00			--
0031	LAFN09302		CLOSURE -	2,00	26/09/2013		--
0032	VTVR00567		INSERT -	2,00			--
0032	VTVT01070		SCREW TSTC M3X8	8,00	26/09/2013		--



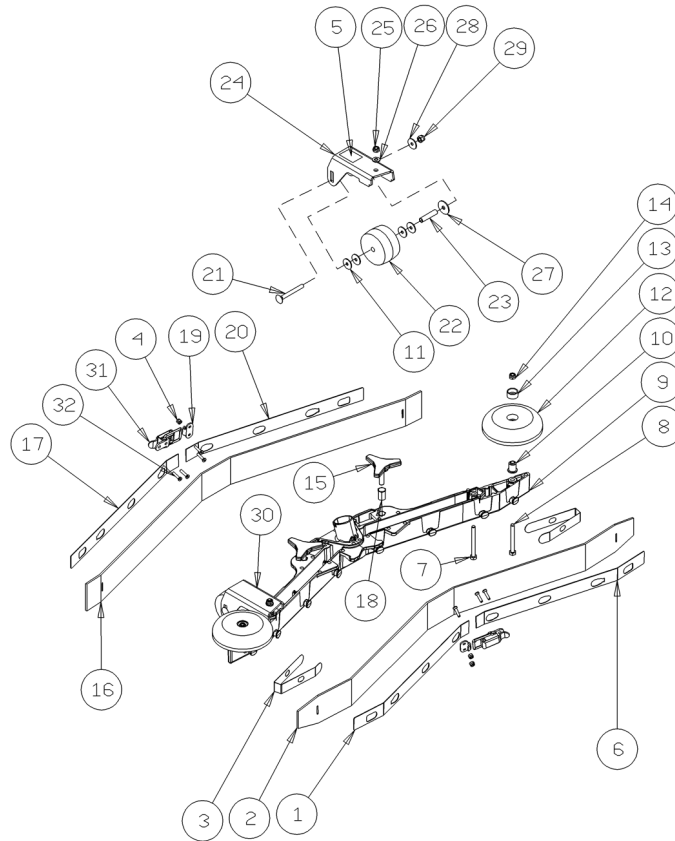
Ref. K	Part n.	Part n. 2	Description	Quantity	Validity		Price
					From	To	
0001	MPVR06046		CRANKCASE NEW HANDLE FRONT 15-30-45	1,00			--
0002	MECB01326		WIRING FLAT CABLE CT45	1,00		20/09/2015	--
0002	MECB01257		CABLE RIBBON CT15	1,00	21/09/2015	25/11/2015	--
0002	MECB01396		WIRING RIBBON ROUND FLAT CT15-30	1,00	26/11/2015		--
0003	MECE00579		BOARD LOGIC CT45 24V	1,00		20/09/2015	--
0003	S MECE00605		BOARD LOGIC CT30 24V	1,00	21/09/2015	15/06/2016	--
0003	MECE00740		BOARD LOGIC CT15-30-45-46 B	1,00	16/06/2016		--
0004	MPVR06055		COVER -	1,00			--
0005	VTVT01371		SCREW 4,8X19	14,00			--
0006	MPVR06054		SHELL SX	1,00			--
0007	MPVR06057		FAIR-LEAD HANDLE CT15	1,00			--
0008	MPVR06047		CRANKCASE -	1,00			--
0009	MPVR06048		LEVER SX	1,00			--
0010	MLML00336		SPRING -	1,00			--
0011	MPVR06049		LEVER DX	1,00			--
0012	MECI36393		MICROSWITCH ACTIVATION TRCTN.	1,00			--
0013	MPVR06050		LEVER ADJUSTMENT	1,00			--
0014	LAFN09221		LEVER RINVIO	1,00			--
0015	MPVR06298		SUPPORT ELECTRONIC CARD	1,00			--
0016	MLML00337		SPRING -	1,00			--
0017	MPVR06052		HANDLE SUPPORT	1,00			--
0018	MPVR06056		GEAR -	1,00			--
0019	MPVR06053		SHELL DX	1,00			--
0021	MPVR06055		COVER -	1,00			--
0022	ETET01780		LABEL -	1,00		20/09/2015	--
0022	ETET01842		LABEL DASHBOARD CT15-30-45 ECO	1,00	21/09/2015		--
0023	VTVT00800		SCREW TC 4X12 ZN	1,00	22/09/2014		--
0024	VTRS00251		WASHER 4-16 INOX A2	1,00	22/09/2014		--
0025	CMCV00364		CABLE LIFTING SQUEEGEE CT45 NEW	1,00	22/09/2014		--
0026	MPVR49942		LEVER SQUEEGEE LIFTING PP	1,00	22/09/2014		--
0027	VTVT00796		SCREW TC 6X12	1,00	22/09/2014		--
0028	LAFN09248		PIN -	1,00	22/09/2014		--
0029	ETET01775		LABEL CT15 BLUE	1,00			--
0029	ETET01773		LABEL CT15 RED	1,00			--
0029	ETET01770		LABEL CT15 GREEN	1,00			--
0030	ETET01775		LABEL CT15 BLUE	1,00			--
0030	ETET01773		LABEL CT15 RED	1,00			--
0030	ETET01770		LABEL CT15 GREEN	1,00			--
0031	ETET01774		LABEL CT15 BLUE	1,00			--
0031	ETET01772		LABEL CT15 RED	1,00			--
0031	ETET01769		LABEL CT15 GREEN	1,00			--
0032	LAFN11049		HOOK -	1,00	15/04/2016		--
0033	VTVT01485		SCREW 4,8X9,5 ZN	1,00	10/06/2019		--
0034	MEVR02573		MAGNET ND D.16 F.3,5 H=5,0	1,00	10/06/2019		--



Ref. K	Part n.	Part n. 2	Description	Quantity	Validity		Price
					From	To	
0035	VTVT01594		SCREW VITE TSPC 3x12	1,00	10/06/2019		--



Ref. Part n.	Part n. 2	Description	Reference	Price
KTRI04750		KIT NEW PCB CT30B AND CT45B	0003	--



Ref. K	Part n.	Part n. 2	Description	Quantity	Validity		Price
					From	To	
0001	LAFN09275		BLADE HOLDER FRONT RIGHT XS	1,00			--
0002	MPVR06287		BLADE XS 3MM LATEX	1,00			--
0003	MPVR05897		CLOSURE S	2,00			--
0004	VTDD00210		NUT M 3 AUTOBL.DIN 985 IX.A2	8,00			--
0005	ETET01817		LABEL -	2,00			--
0006	LAFN09276		BLADE HOLDER FRONT LEFT XS	1,00			--
0007	VTVT17342		SCREW TE M 6X 60 UNI 5739 INX	2,00			--
0008	VTVT00655		SCREW TE M. 6-55	2,00			--
0009	MFVR00143		BODY SQUEEGEE PRESSOFUSO	1,00			--
0010	LAFN04100		SPACER FOR BUMPER WHEEL	2,00			--
0011	VTRS00274		WASHER NYLON 66 D.8,4-17-2 UNI	4,00			--
0012	MPVR06105		WHEEL BUMPER D.80 H=22	2,00			--
0013	MPVR49229		BUSHING SHK	2,00			--
0014	VTDD01694		NUT M6 INOX	2,00			--
0015	MPVR06004		KNOB SQUEEGEE YELLOW M8X30	2,00		03/04/2018	--
0015	MPVR10569		SMALL KNOB YELLOW M8X45 H.10	2,00	04/04/2018		--
0016	MPVR06288		BLADE XS 3MM LATEX	1,00			--
0017	LAFN09277		BLADE HOLDER REAR RIGHT XS	1,00			--
0018	VTVR00567		INSERT -	2,00			--
0019	LAFN09301		SOCKET -	2,00			--
0020	LAFN09278		BLADE HOLDER REAR LEFT XS	1,00			--
0021	VTVT01206		SCREW M6X55	2,00			--
0022	RTRT00398		WHEEL d.60 HOLE 8	2,00			--
0023	LAFN07589		SPACER -	2,00			--
0024	LAFN09217		SUPPORT SX	1,00			--
0025	VTDD01694		NUT M6 INOX	2,00			--
0026	VTRS00245		WASHER D.6 UNI 6592 INOX	2,00			--
0027	VTRS16937		WASHER 6x24 INOX UNI 6593	2,00			--
0028	VTRS13945		WASHER D. 6X18 INX UNI 6593	2,00			--
0029	VTDD15518		NUT M 6 INX	2,00			--
0030	LAFN09216		SUPPORT DX	1,00			--
0031	LAFN09302		CLOSURE -	2,00			--
0032	VTVT01070		SCREW TSTC M3X8	8,00			--