

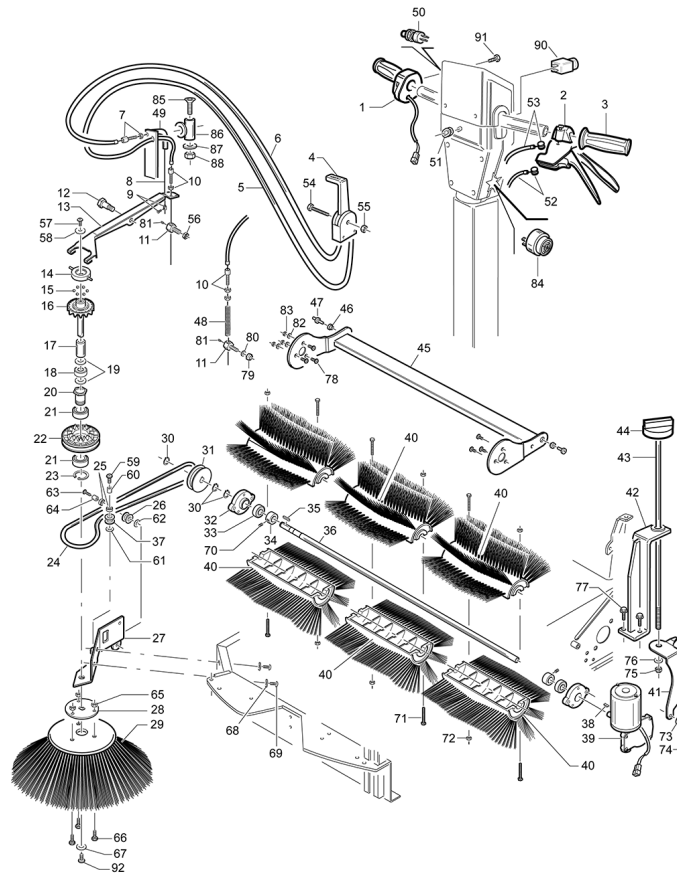


IPC

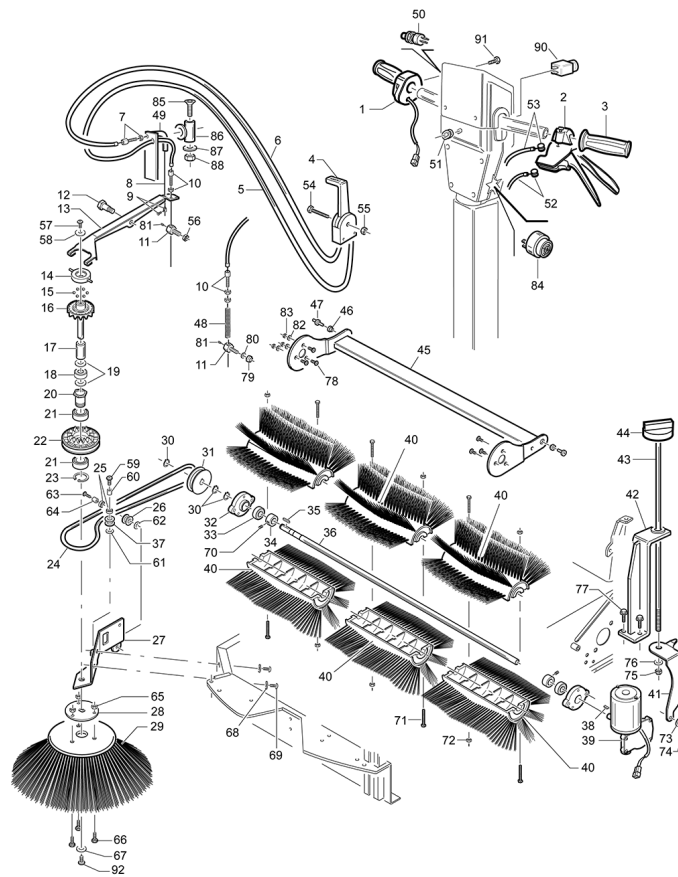
Spare parts list

Ref: MSUB00337

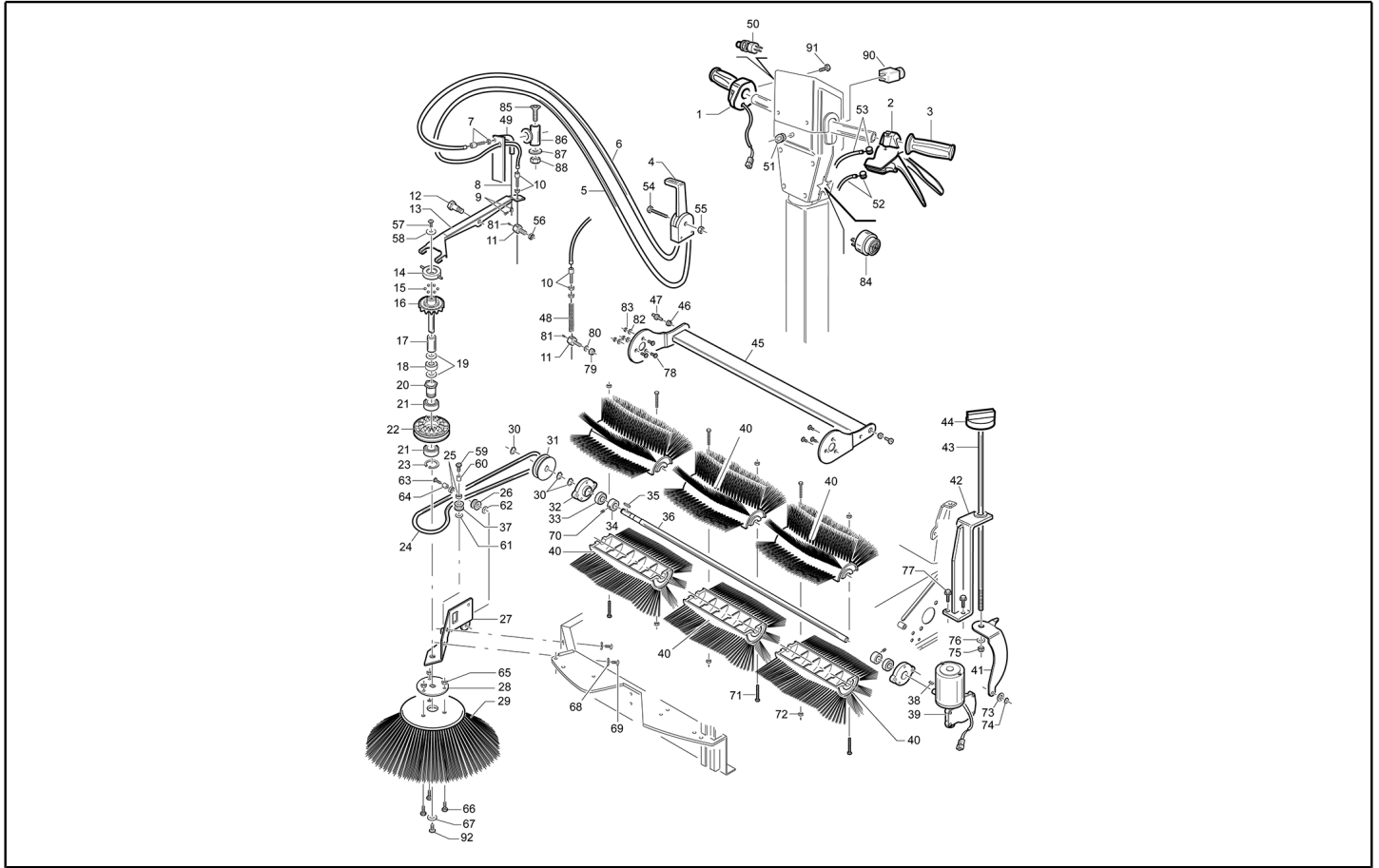
Model: SWEEPER 712 RIDER ST+SF GR/GR IPC



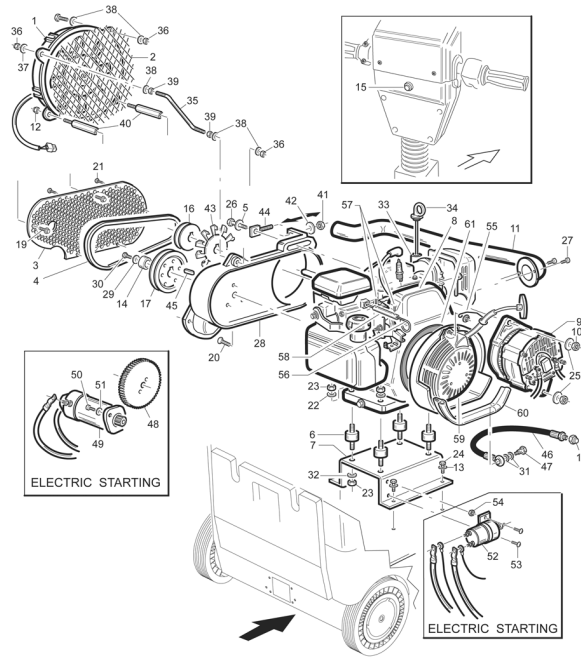
Ref. K	Part n.	Part n. 2	Description	Quantity	Validity		Price
					From	To	
0001	MEVR31306		KNOB D.22 DX TIGER 300	1,00		24/10/2010	--
0001	MEVR02035		KNOB GRIP D22 WITH ACCELERATOR	1,00	25/10/2010		--
0002	MPVR05302		HANDLE 512-712	1,00			--
0003	MPVR29814		KNOB D. 22 L=124	1,00			--
0004	MPVR00017		LEVER COMANDO SPAZZ.ASSEMBLATA	1,00			--
0005	CMCV00344		SHEATH 512-712 R	1,00			--
0006	CMCV00343		SHEATH 512-712 R	1,00			--
0007	CMCV02397		REGISTER CH.12X 8MAX35	1,00		28/11/2007	--
0007	CMCV00352		REGISTER 512-712 UT	1,00	29/11/2007		--
0008	CMCV00342		CABLE 512-712 R	1,00			--
0009	CMCV75737		CLAMP D.7 art.857	1,00			--
0010	CMCV75723		REGISTER D.7	1,00			--
0011	LAFN01068		SCREW CH.17 H.28 FISSAGGIO FILO	1,00			--
0012	LAFN75968		PIN CH.17 H.34 LEVA SPAZ.LAT.	1,00			--
0013	LAFN75953		LEVER SOLLEV.SPAZZ.LATER.TK ZIN	1,00			--
0014	LAFN75824		RING CUSCIN.SPAZZOLA LATER.TK	1,00			--
0015	SFVR00002		BALL 11/32"	6,00			--
0016	LAFN75826		RING DENTATO MOV.SPAZZ.LAT. TK	1,00			--
0017	LAFN75912		SPACER ALBERO SPAZ.LAT.TIPO NUOVO	1,00			--
0018	CUVR37344		ROLLER BEARING HK 1412	1,00			--
0019	VTRS75831		WASHER IN FELTRO X BRACCIO LAT.	2,00			--
0020	LAFN75833		BUSHING PORTACUSC.TK NUOVO TIPO	1,00			--
0021	CUVR86893		BEARING 6005 2RS	2,00			--
0022	LAFN75827		RING DENTATO FOLLE TK	1,00			--
0023	VTAE09655		SEEGER ESTERNO DIN 471 D.25	1,00			--
0024	MTCG85335		BELT D.8MM SIDE ARM-BLUE	1,00			--
0025	CUVR75814		BEARING HK1012	2,00			--
0026	MTPL75997		PULLEY D.30X15 BRACCIO LAT.NUOVO	1,00			--
0027	LAFN76005		SUPPORT SPAZZOLA LATERALE TK ZINC	1,00			--
0028	LAFN75986		FLANGE TRASCIN.SPAZ.LAT.TK ZINC.	1,00			--
0029	SPPV76057		SIDE-BRUSH TK PPL 70	1,00			--
0030	VTAE13512		CIRCLIP D. 17 UNI 7435	3,00			--
0031	MTPL00003		PULLEY SPAZZOLA LATERALE D.17	1,00			--
0032	MPVR00830		SUPPORT T.90 DX/SX(5 INS.)+CUSC.	2,00			--
0033	CUVR00008		BEARING 6003 2RS	2,00			--
0034	LAFN00258		SPACER ALBERO SPAZZOLA TK700	2,00			--
0035	VTVR26559		KEY UNI 6604 5X5X15	1,00			--
0036	ALTR00010		BRUSH SHAFT CENTRALA 711/721ET	1,00			--
0037	MTPL75996		PULLEY D.27X15 BRACCIO LAT.NUOVO	1,00			--
0038	VTVR75730		KEY UNI 6606 3X3,7	1,00			--
0039	MOCC00005		MOTOR.GEARBOX D.77 24V 210RPM BIG	1,00			--
0040	SPPV00044		BRUSH ppl 50	3,00			--
0041	LAFN00342		BRACKET REGOL.SPAZ.CENTR.TKE ZINC	1,00			--
0042	LAFN07265		BRACKET 512-712	1,00			--



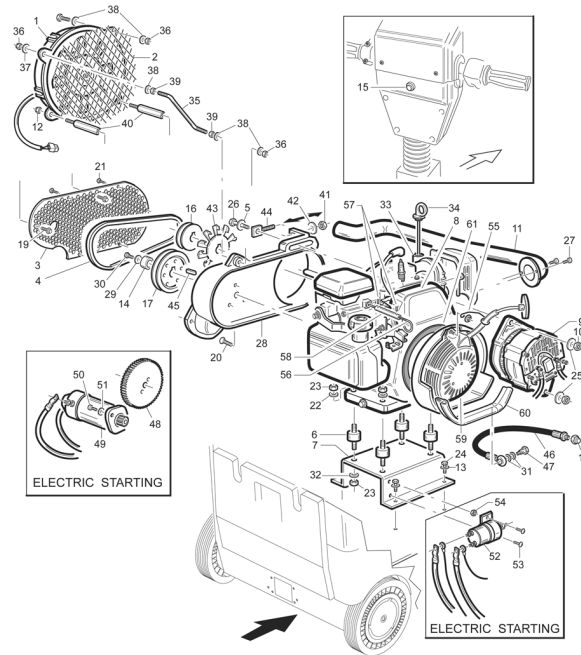
Ref. K	Part n.	Part n. 2	Description	Quantity	Validity		Price
					From	To	
0043	LAFN07266		ROD 512-712	1,00			--
0044	MPVR10084		SWITCH KNOB O.K.A.	1,00			--
0045	LAFN07291		BALANCER 712	1,00			--
0046	LAFN75834		BUSHING BILANCERE TK D.18 H.20	2,00			--
0047	LAFN76019		PIN CH 13 H.25 BILANCERE TK	2,00			--
0048	MLML00033		SPRING ALZAFAPLAP SILVER ZB	1,00			--
0049	LAFN07408		CURVE 90°	1,00			--
0050	MEVR85330		BUTTON -	1,00			--
0051	MEVR00094		FAIR-LEAD EGP15-20S.60 PAS1	1,00			--
0052	CMCV00340		CABLE 512-712 R	1,00			--
0053	CMCV00341		CABLE 512-712 R	1,00			--
0054	LAFN75738		LEVER COMANDO SPAZZOLA	1,00			--
0055	LAFN75738		LEVER COMANDO SPAZZOLA	1,00			--
0056	VTDD13261		NUT UNI 5589 M8 BASSO ZB	1,00			--
0057	VTVT75724		SCREW TBCE ISO 7380 8X22 ZB	1,00			--
0058	VTRS00513		WASHER UNI 6593 8X32X2,5 ZB	1,00			--
0059	VTVT75727		SCREW TBCE ISO 7380 8X25 ZB	1,00			--
0060	LAFN75840		BUSHING D.10 NUOVO BRACCIO LAT.	1,00			--
0061	VTRS00504		WASHER D. 8 ZC. UNI 6592	1,00			--
0062	VTRS00504		WASHER D. 8 ZC. UNI 6592	1,00			--
0063	VTVT75727		SCREW TBCE ISO 7380 8X25 ZB	1,00			--
0064	LAFN75840		BUSHING D.10 NUOVO BRACCIO LAT.	1,00			--
0065	VTDD13261		NUT UNI 5589 M8 BASSO ZB	3,00			--
0066	VTVT00527		SCREW TE FR 6X10 ZB ZIG.	3,00			--
0067	VTRS63242		WASHER UNI 6593 6X24X2 ZB	1,00			--
0068	VTRS00512		WASHER D. 8 X24 ZC.	2,00			--
0069	VTVT45395		SCREW TBCE ISO 7380 8X10 ZB	2,00			--
0070	VTVT75731		GRUB SCREW UNI 5923 6X5	2,00			--
0071	VTVT22102		SCREW TCCE UNI 5931 5X70 ZB	4,00			--
0072	VTDD01678		NUT M 5 UNI 5588	4,00			--
0073	VTRS00504		WASHER D. 8 ZC. UNI 6592	1,00			--
0074	VTAE14016		SEEGER ESTERNO DIN 471 D.12	1,00			--
0075	VTDD00124		NUT M8 DIN985	1,00			--
0076	VTRS00504		WASHER D. 8 ZC. UNI 6592	1,00			--
0077	VTVT21295		SCREW TE UNI 5739 5X20 ZB	2,00			--
0078	VTVT00061		SCREW TSCE UNI 5933 6X20 ZB	6,00			--
0079	VTDD00124		NUT M8 DIN985	1,00			--
0080	VTRS00504		WASHER D. 8 ZC. UNI 6592	1,00			--
0081	VTVT87456		GRUB SCREW UNI 5923 5X6	1,00			--
0082	VTRS00503		WASHER D. 6 UNI 6592	3,00			--
0083	VTDD00491		NUT M 6 TEF	6,00			--
0084	MEVR01436		BUZZER -	1,00			--
0085	VTVT42311		SCREW TSCE UNI 5933 6X35 ZB	1,00			--
0086	LAFN06861		BRACKET 512-712	1,00			--



Ref. K	Part n.	Part n. 2	Description	Quantity	Validity		Price
					From	To	
0087	VTRS00503		WASHER D. 6 UNI 6592	1,00			--
0088	VTDD00491		NUT M 6 TEF	1,00			--
0090	MECI00536		BUTTON D.25	1,00			--
0091	VTVT00751		SCREW	1,00			--
0092	VTVT62920		SCREW TE FR 6X16 ZB ZIGRINATE	1,00			--

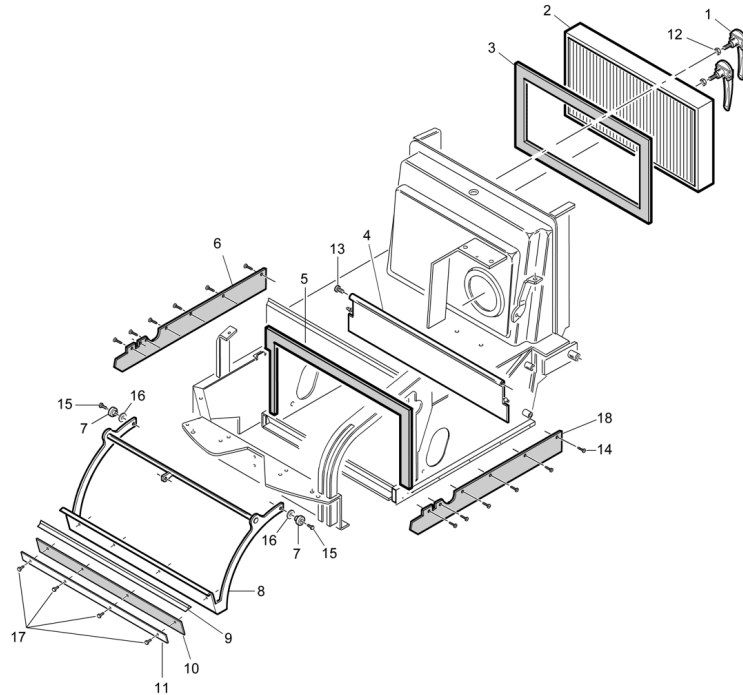


Ref. K	Part n.	Part n. 2	Description	Quantity	Validity		Price
					From	To	
0001	MOCC00283		IMPELLER VANO MOTORE	1,00			--
0002	LAFN06301		BRACKET PROTEZIONE	1,00		15/07/2008	--
0002	LAFN06947		PROTECTION -	1,00	16/07/2008		--
0003	LAFN47152		BRACKET PROTEZIONE	1,00			--
0004	MTCG00126		BELT 512-712	1,00			--
0005	VTRS00504		WASHER D. 8 ZC. UNI 6592	1,00			--
0006	ABGO00040		VIBRATION DAMP. MM30X15 M8X14+M8X30 40SH	4,00			--
0007	LAFN07368		PLATE MOTORE	1,00			--
0008	MOSC00025		ENGINE MOTOR HONDA GC135 QH-P7-SD 4HP	1,00		24/09/2014	--
0008	MOSC00032		MOTOR GC160E	1,00	25/09/2014		--
0009	ARGN00016		ALTERNATOR 28V	1,00			--
0010	VTDD00041		SELF-LOCJ.NUT M 8 UNI7473 8.8 ZNT	2,00			--
0011	LAFN07358		HOSE TESTA 512-712S	1,00			--
0012	VTDD19688		NUT M6 UNI 7473	2,00			--
0013	VTRS00504		WASHER D. 8 ZC. UNI 6592	4,00			--
0014	LAFN06695		SPACER Ø19.2-Ø36 H11,5	1,00			--
0015	MEVR85330		BUTTON -	1,00			--
0016	MTPL00195		PULLEY 512-712	1,00			--
0017	MTPL00194		PULLEY 712	1,00			--
0018	RCVR00585		CAP 3/8"	1,00			--
0019	VTVT62920		SCREW TE FR 6X16 ZB ZIGRINATE	2,00			--
0020	VTVT01547		SCREW TSCE 5X16"X5/8"X24 UNF zb	4,00			--
0021	VTVT01297		SCREW M 4X 8 TCB-TC UNI 8112	5,00			--
0022	VTRS00504		WASHER D. 8 ZC. UNI 6592	4,00			--
0023	VTDD00041		SELF-LOCJ.NUT M 8 UNI7473 8.8 ZNT	8,00			--
0024	VTVT01357		SCREW M8X20	4,00			--
0025	VTRS00512		WASHER D. 8 X24 ZC.	2,00			--
0026	VTVT00453		SCREW TE UNI 5739 8X60 ZB	2,00			--
0027	VTVT07945		SCREW TCB T-C 3,9X 9,5	2,00			--
0028	MFVR47154		SUPPORT MOTORINO TK1400 DP	1,00			--
0029	LAFN07355		SPACER FISSAGGIO	1,00			--
0030	VTVT01546		SCREW TE 5X16"X7/8"X24 UNF 8.8	1,00			--
0031	VTRS00548		WASHER D.17,5X23X1,5 (3/8)RM	2,00			--
0032	VTRS00512		WASHER D. 8 X24 ZC.	4,00			--
0033	LAFN07343		HOSE LIVELLO OLIO	1,00			--
0034	MPVR05311		ROD 512-712	1,00			--
0035	LAFN06476		TIE ROD ELETTROVALVOLA	1,00			--
0036	VTDD19688		NUT M6 UNI 7473	2,00			--
0037	VTRS00503		WASHER D. 6 UNI 6592	1,00			--
0038	VTRS04026		WASHER D. 6X18X2.38	3,00			--
0039	VTDD00482		NUT M 6 ZIN UNI 5588	2,00			--
0040	LAFN04172			2,00			--
0041	VTDD19688		NUT M6 UNI 7473	1,00			--
0042	VTRS04026		WASHER D. 6X18X2.38	1,00			--

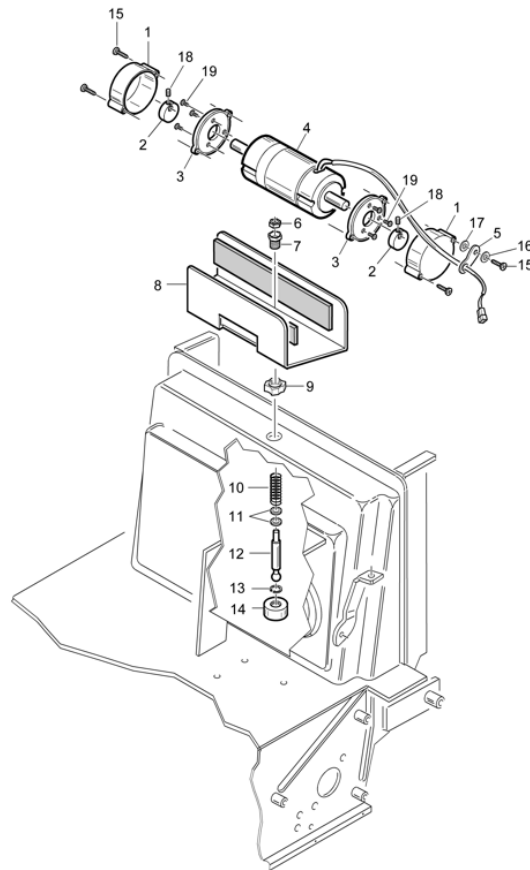


Ref. K	Part n.	Part n. 2	Description	Quantity	Validity		Price
					From	To	
0043	VEVR00014			1,00		02/03/2010	--
0043	VEVR47160		IMPELLER RAFFRED.ALTERNATORE	1,00	03/03/2010		--
0044	LAFN47168		BELT-STRETCHER ALTERNATORE TK1400	1,00			--
0045	VTVR01032		KEY Tipo B 4,76x4,76x38	1,00			--
0046	TBBP00384		TUBE SCARICO OLIO	1,00			--
0047	RCVR00714		CONNECTOR M12X1,5	1,00			--
0048	MTCR00095		BRAKE AVVIAMENTO MOTORE HONDA	1,00			--
0049	MOCC45115		MOTOR 24V 300W SX	1,00			--
0050	VTVT00066		SCREW TCCE UNI 5931 8X25 ZB	2,00			--
0051	VTRS00504		WASHER D. 8 ZC. UNI 6592	2,00			--
0052	METT45116		CONTACTOR T106P 24V 100%	1,00			--
0053	VTVT00005		SCREW TE M 5X 12 F/ROND.ZIGR	2,00			--
0054	VTDD00040		NUT M5 UNI7474	2,00			--
0055	LAFN07601		BRACKET -	1,00	10/09/2009		--
0056	LAFN07576		LEVER -	1,00	10/09/2009	24/09/2014	--
0057	VTVT00906		GRUB SCREW M 4-4	2,00	25/09/2014		--
0058	LAFN09372		EXTENSION -	1,00	25/09/2014		--
0059	MPVR06123		CONVEYOR 512-712	1,00	25/09/2014		--
0060	GUGO00285		GASKET TK1320048	0,50	25/09/2014		--
0061	MPVR00051		MOUSSE 15X5	0,60	25/09/2014		--

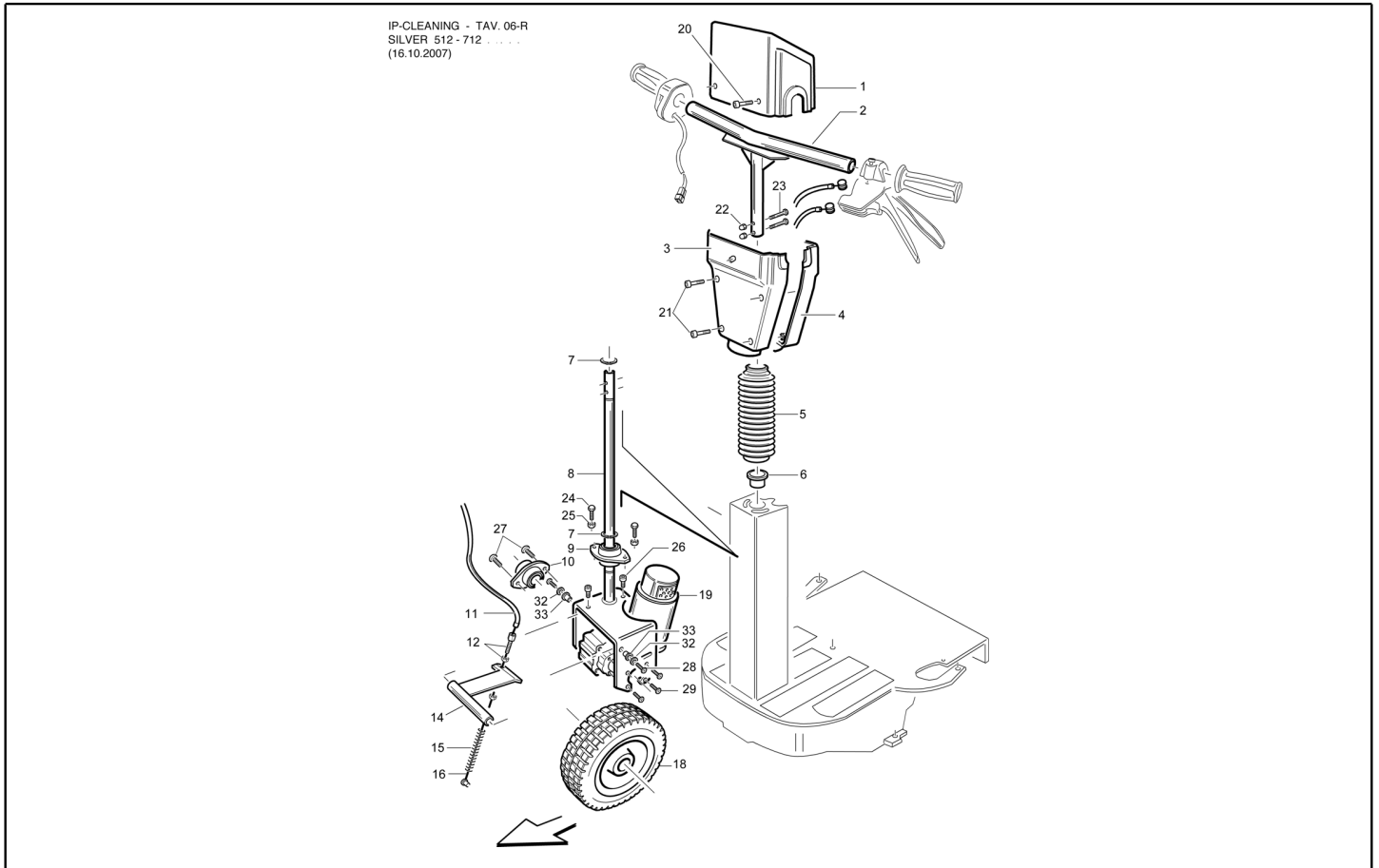
IP-CLEANING - TAV. 05-R
SILVER 512 - 712
(16.10.2007)



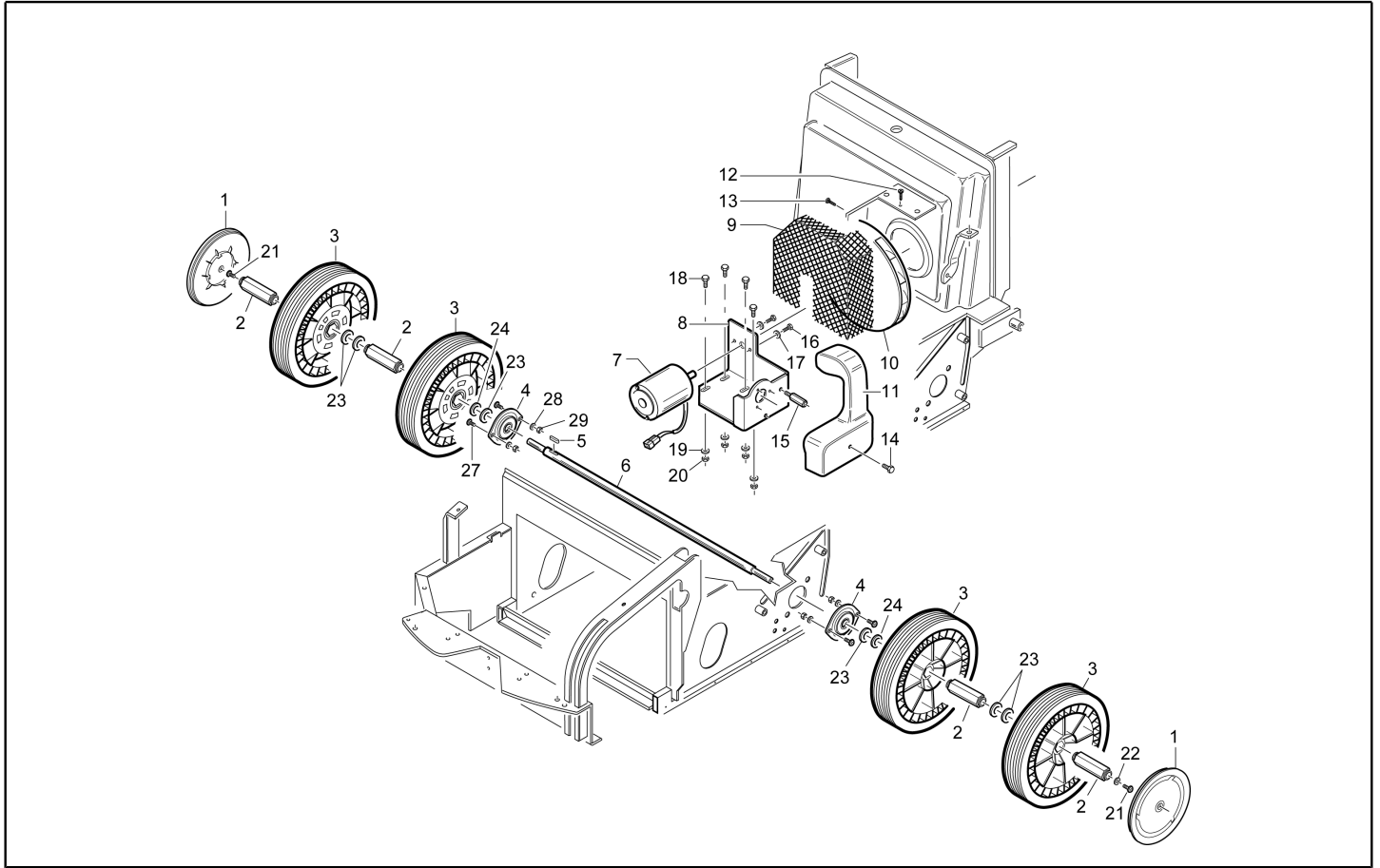
Ref. K	Part n.	Part n. 2	Description	Quantity	Validity		Price
					From	To	
0001	PMVR00383		HANDLE BLOCCAGGIO FILTRO SILVER	2,00			--
0002	FTDP85299		FILTER SW 740/741	1,00			--
0003	KTRI75931		GASKET FILTER KIT 700-705-712	1,00			--
0004	MPVR05307		FLAP 712	1,00			--
0005	KTRI00011		MOUSSE KIT ADES.30X15 CASS.ANTER.710	1,00		31/07/2008	--
0005	KTRI01820		KIT 712	1,00	01/08/2008		--
0006	MPVR05267		FLAP 512-712	1,00			--
0007	LAFN00188		BUSHING OTTONE BRAC.ALZAFL.SILVER	2,00			--
0008	LAFN07364		BALANCER 712	1,00			--
0009	MPVR00732		RUBBER ALZAFLAP SERIE 700	1,00			--
0010	MPVR48757		RUBBER ALZAFLAP 700	1,00			--
0011	LAFN00332		CLAMP GOMMA ALZAFLAP 700	1,00			--
0012	VTDD00483		NUT M 8 ZIN UNI 5588	2,00			--
0013	VTVT47025		SCREW TBCE ISO 7380 10X16 ZB	2,00			--
0014	VTVT01295		SCREW 3,5X9,5 TS80 UNI 6955 ZB	10,00			--
0015	VTVT75724		SCREW TBCE ISO 7380 8X22 ZB	2,00			--
0016	VTRS00512		WASHER D. 8 X24 ZC.	2,00			--
0017	VTVT00040		SCREW AUTOF.TC UNI6954 3,5X10SP	4,00			--
0018	MPVR05268		FLAP 512-712	1,00			--



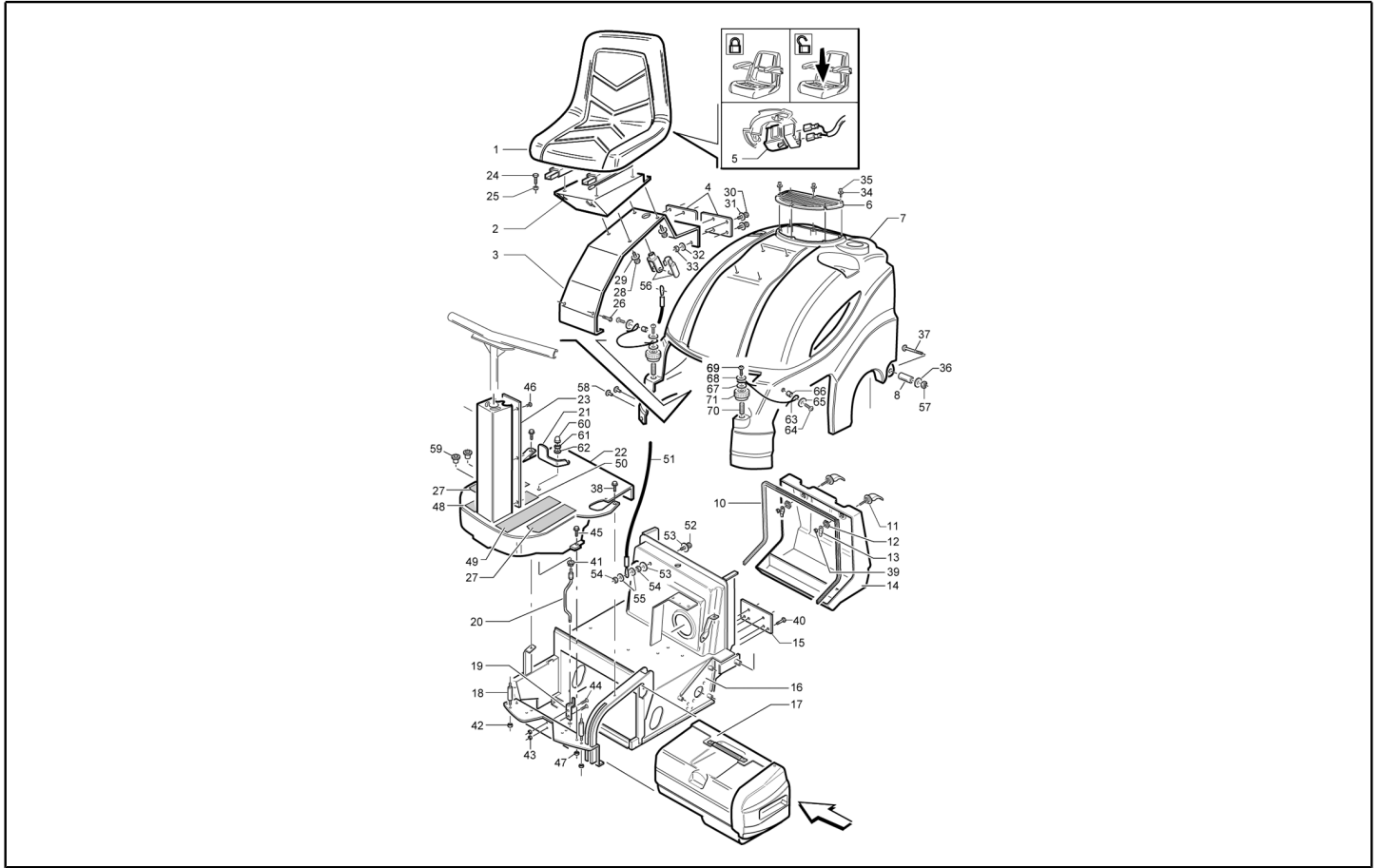
Ref. K	Part n.	Part n. 2	Description	Quantity	Validity		Price
					From	To	
0001	LAFN47139		COVER PROTEZIONE MASSE SCUOTIF.	2,00			--
0002	LAFN47140		BUSHING CONTRAPPESO PER SCUOTIFIL	2,00			--
0003	MFVR47141		FLANGE X MOTORE SCUOTIFILTRO	2,00			--
0004	MOCC00004		MOTOR D.63 24V G3800 W35	1,00			--
0005	MPVR00765		RUBBER FISSAGGIO FILO SCUOTIFIL.	1,00			--
0006	VTDD00008		NUT M10 UNI 5589 ZB	1,00			--
0007	ABGO00012		VIBRATION DAMP. PER SCUOTIFILTRO	1,00			--
0008	LAFN00676		SUPPORT MOTORE X SCUOTIF.E VERN.	1,00			--
0009	LAFN36319		RING NUT M25X1.5-10.3	1,00			--
0010	MLML85610		SPRING COMPRES.X SCUOT.ELETT.R.ZB	1,00			--
0011	GUGO19260		O-RING D. 8 X 1 NBR 70SH	2,00			--
0012	LAFN00428		PIN D.15 H.78 A SFERA SCUOT.	1,00			--
0013	VTAE00007		SEEGER INTERNO DIN 472 D.16	1,00			--
0014	LAFN00417		ARTICULATED BAR TK500/700	1,00			--
0015	VTVT47138		SCREW AUTOF.TSP UNI 6955 3,9X32	4,00			--
0016	VTRS05904		WASHER UNI 6592 4X16 ZB	1,00			--
0017	VTRS05904		WASHER UNI 6592 4X16 ZB	1,00			--
0018	VTVT75731		GRUB SCREW UNI 5923 6X5	2,00			--
0019	VTVT76616		SCREW TSCE UNI 5933 4X12 ZB	6,00			--



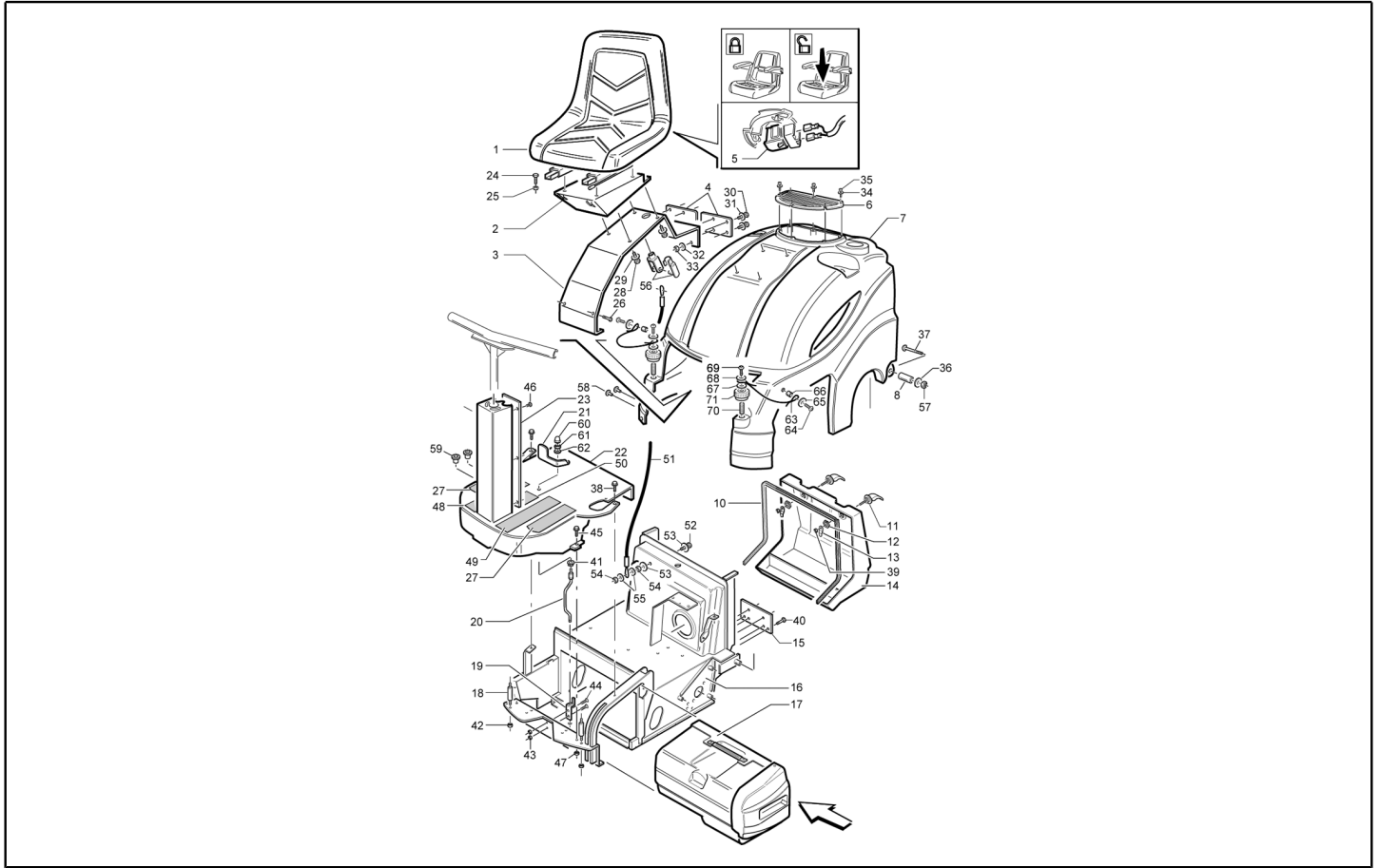
Ref. K	Part n.	Part n. 2	Description	Quantity	Validity		Price
					From	To	
0001	MPVR05258		INSTR.PANEL 512-712	1,00			--
0002	LAFN07262		HANDLE 512-712	1,00			--
0003	MPVR05297		INSTR.PANEL 512-712	1,00			--
0004	MPVR05301		INSTR.PANEL 512-712	1,00			--
0005	MPVR31719		PROTECTOR 55 - 50 x 215	1,00			--
0006	LAFN07270		BUSHING 24X27 H7	1,00			--
0007	VTAE21639		SEEGER ESTERNO DIN 471 D.24	1,00			--
0008	LAFN07273		SHAFT STERZO	1,00			--
0009	CUVR33324		BEARIG BPFL 205	1,00			--
0010	CUVR00105		BEARING SB204KDF+PFL204PTN	1,00			--
0011	CMCV00340		CABLE 512-712 R	1,00			--
0012	CMCV75723		REGISTER D.7	1,00			--
0014	LAFN07354		BRACKET FRENO 712	1,00			--
0015	MLML75964		SPRING PORTACEPPO D.11,3X1,5X100	1,00			--
0016	CMCV00340		CABLE 512-712 R	1,00			--
0018	RTRT00438		WHEEL 200X80	1,00			--
0019	MOCC00320		MOTOR AOMP24V 300W 130G RR1/18	1,00			--
0020	VTVT29165		SCREW AF TCB-TC 5 X20 TL	2,00			--
0021	VTVT29165		SCREW AF TCB-TC 5 X20 TL	4,00			--
0022	VTDD00491		NUT M 6 TEF	2,00			--
0023	VTVT06238		SCREW TE 6X35 UNI5739	2,00			--
0024	VTVT00448		SCREW TE 8X30 UNI5739	2,00			--
0025	VTDD00492		NUT AUTOBLOK DIN 982 M8 ALTO	2,00			--
0026	VTVT19472		SCREW TCCE UNI 5931 8X10 ZB	2,00			--
0027	VTVT63129		SCREW TE FR 8X16 ZB ZIGRINATE	2,00			--
0028	VTVT62916		SCREW TE M5X12 ZN UNI 5739-8.8	2,00			--
0029	VTVT21295		SCREW TE UNI 5739 5X20 ZB	4,00			--
0032	VTRS15958		WASHER UNI 6592 5X15X1,5 ZB	2,00			--
0033	CUVR43254		BUSHING CB 85 1010 18T	2,00			--



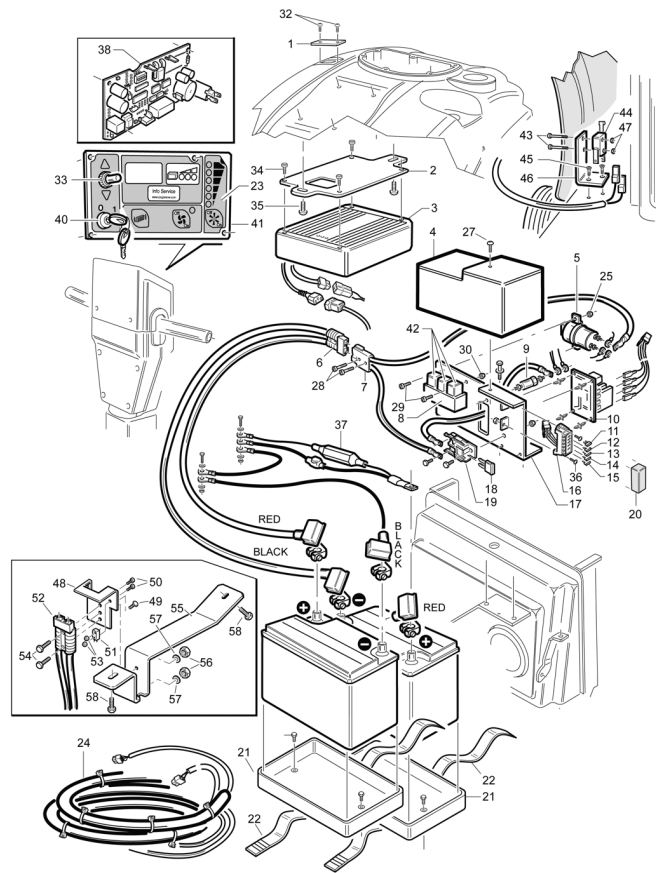
Ref. K	Part n.	Part n. 2	Description	Quantity	Validity		Price
					From	To	
0001	MPVR00541		WHEEL'S COVER D.200 NERO	2,00			--
0002	LAFN07433		BUSHING ESAGONALE	4,00			--
0003	RTRT00031		WHEEL GOMMA D.250X55 GR.CERC.NE	4,00			--
0004	CUVR75815		BALL BEARING UBPFL203	2,00			--
0005	VTVR26559		KEY UNI 6604 5X5X15	1,00			--
0006	LAFN07426		SHAFT RUOTE	1,00			--
0007	MOCC45111		MOTOR D.77 ALBERO LISCI0 24V	1,00			--
0008	LAFN00652		SUPPORT MOTORI TK ZINCATO	1,00			--
0009	LAFN00885		BRACKET	1,00			--
0010	VEVR26677		IMPELLER ALLUMINIO D.200	1,00			--
0011	MPVR00611		CONVEYOR ARIA VERSIONE ELETTRICA	1,00			--
0012	VTVT00045		SCREW AUTOF.TC UNI 6954 4,8X16	1,00			--
0013	VTVT00045		SCREW AUTOF.TC UNI 6954 4,8X16	1,00			--
0014	VTVT00527		SCREW TE FR 6X10 ZB ZIG.	1,00			--
0015	LAFN00576		PIN FISS.CONVOGLIATORE ARIA	1,00			--
0016	VTVT14062		SCREW TE UNI 5739 5X16 ZB A.8.8	2,00			--
0017	VTRS00291		WASHER D. 5 X20 ZC UNI 6593	2,00			--
0018	VTVT62920		SCREW TE FR 6X16 ZB ZIGRINATE	4,00			--
0019	VTRS04026		WASHER D. 6X18X2.38	4,00			--
0020	VTDD00491		NUT M 6 TEF	4,00			--
0021	VTVT75725		SCREW TBCE ISO 7380 6X10 ZB	2,00			--
0022	VTRS63242		WASHER UNI 6593 6X24X2 ZB	2,00			--
0023	VTRS21763		WASHER D.17	6,00			--
0024	VTRS00364		THICKNESS 18X25X1	2,00			--
0027	VTVT75721		SCREW TTDE UNI 5732 6X16 ZB	4,00			--
0028	VTRS00503		WASHER D. 6 UNI 6592	4,00			--
0029	VTDD00491		NUT M 6 TEF	4,00			--



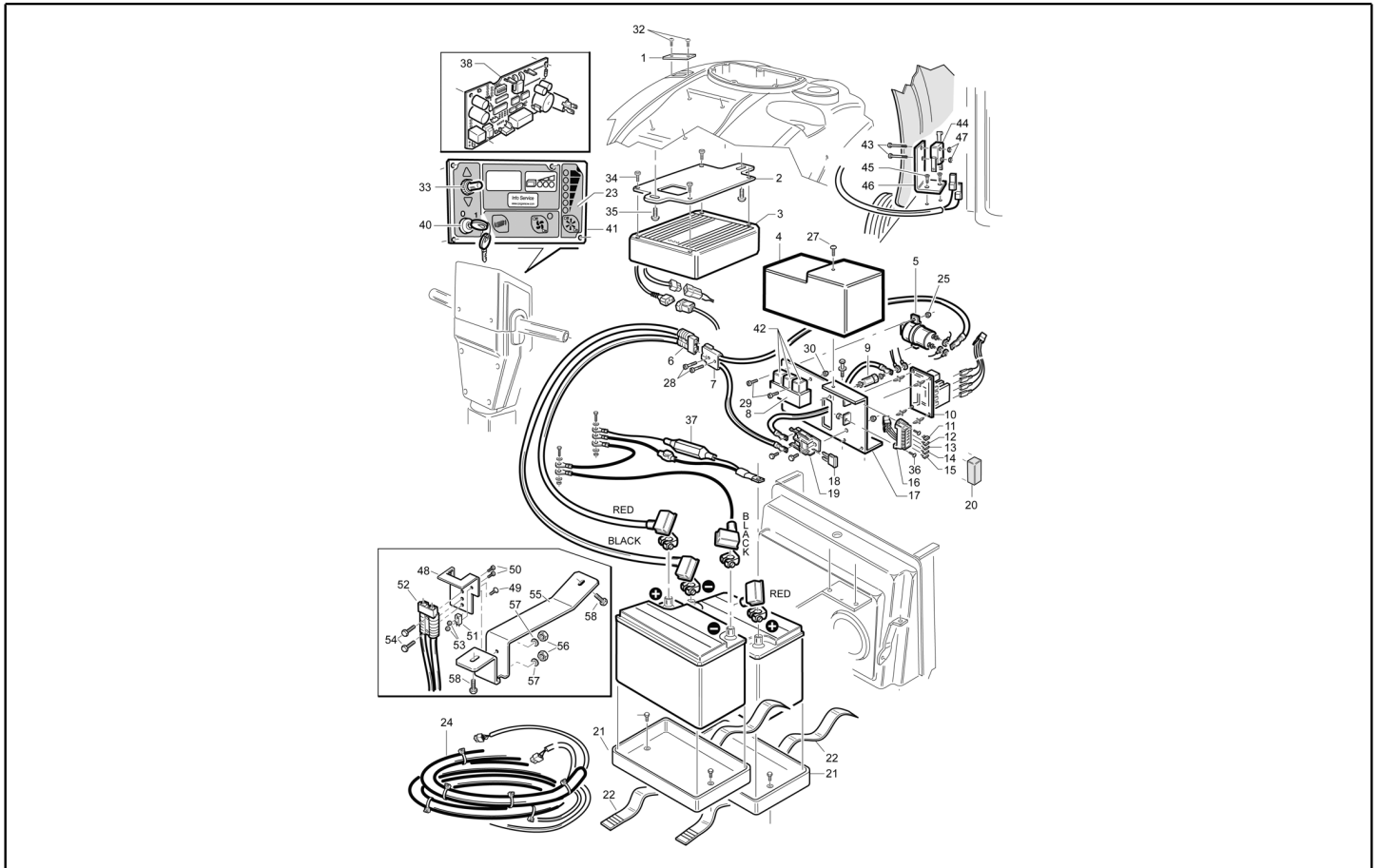
Ref. K	Part n.	Part n. 2	Description	Quantity	Validity		Price
					From	To	
0001	SESD45981		SEAT SC73 01.01.M4 PER TK1400	1,00		09/10/2018	--
0001	SESD45982		SEAT SC 73 L.14 SENSOR REED	1,00	10/10/2018		--
0002	LAFN07284		SUPPORT SEDILE	1,00			--
0003	LAFN07359		ASSEMBLED ROLL-BAR 512-712	1,00			--
0004	LAFN07378		BRACKET 712	2,00			--
0005	MEVR00148		SWITCH SEAT SENSOR	1,00			--
0006	MPVR05398		BRACKET 512-712	1,00			--
0007	MPVR05247		HOOD 712	1,00			--
0008	LAFN04043		SPACER D8.5-15	2,00			--
0009	RTRT00022		HANDWHEEL D.30 M6X15	2,00			--
0010	GUGO00285		GASKET TK1320048	1,00			--
0011	PMVR00138		LOCK TEK	2,00			--
0012	LAFN00259		NUT CH.24 SERRATURA TEK	2,00			--
0013	LAFN00349		LEVER SERRATURA TEK ZINCATA	2,00			--
0014	MPVR00608		DRAWER POSTERIORE SILVER 710 GRI	1,00			--
0015	MPVR00801		CAP CHIUS.SEDE PED.FRENO STAZ	1,00			--
0016	LAFN07283		FRAME 712	1,00			--
0017	PMVR01414		DRAWER ANTER. 512 COMPL.	1,00			--
0018	LAFN07271		PIN 512-712	2,00			--
0019	LAFN07367		BRACKET 512-712 RIDER	1,00			--
0020	LAFN07366		LEVER 512-712 RIDER	1,00			--
0021	MPVR00032		LEVER 48 M6 SGANCIO MANICO L 15	1,00		31/12/2008	--
0021	LAFN07556		LEVER -	1,00	01/01/2009		--
0022	LAFN07261		PLANE 712	1,00			--
0023	LAFN07363		SHEET METAL PA. 512-712	1,00			--
0024	VTVT01110		SCREW TE 8X16 UNI5739	4,00			--
0025	VTRS00504		WASHER D. 8 ZC. UNI 6592	4,00			--
0026	VTVT00527		SCREW TE FR 6X10 ZB ZIG.	2,00			--
0027	MPVR00866		PLANE ANTISDRUCCIOLO G1050	2,00			--
0028	VTVT01536		SCREW TE UNI 5739 10X45 ZB	4,00			--
0029	VTRS00505		WASHER D.10 UNI 6592	4,00			--
0030	VTVT00248		SCREW TE M&x45 UNI5739 8.8 ZNT	4,00			--
0031	VTRS04026		WASHER D. 6X18X2.38	4,00			--
0032	VTRS04026		WASHER D. 6X18X2.38	4,00			--
0033	VTDD00491		NUT M 6 TEF	4,00			--
0034	VTRS00501		WASHER D. 4 0.232 UNI 6592	4,00			--
0035	VTVT37012		SCREW M 4X 10 TCB-TC INX	4,00			--
0036	VTRS00512		WASHER D. 8 X24 ZC.	2,00			--
0037	VTVT00231		SCREW TTQS M8X89	2,00		11/11/2007	--
0037	VTVT01142		SCREW TTQS M8X89	2,00	12/11/2007		--
0038	VTVT62920		SCREW TE FR 6X16 ZB ZIGRINATE	2,00			--
0039	VTDD00057		NUT UNI 5589 M8 BASSO ZB	2,00			--
0040	VTVT00527		SCREW TE FR 6X10 ZB ZIG.	4,00			--
0041	MPVR05303		CLIP d.i.6 sp.4	1,00			--



Ref. K	Part n.	Part n. 2	Description	Quantity	Validity		Price
					From	To	
0042	VTDD00491		NUT M 6 TEF	2,00			--
0043	VTDD00491		NUT M 6 TEF	2,00			--
0044	VTVT00093		SCREW TBCE ISO 7380 6X12 ZB	2,00			--
0045	VTVT62920		SCREW TE FR 6X16 ZB ZIGRINATE	2,00			--
0046	VTVT00040		SCREW AUTOF.TC UNI6954 3,5X10SP	6,00			--
0047	VTDD00491		NUT M 6 TEF	2,00			--
0048	MPVR05317		PLANE 512 R	1,00		31/12/2008	--
0048	MPVR47092		PLANE ANTISDRUCCIOLO X PEDALE	1,00	01/01/2009		--
0049	MPVR47092		PLANE ANTISDRUCCIOLO X PEDALE	2,00			--
0051	CMCV00430		CABLE 512-712	1,00	07/01/2008		--
0052	VTVT00448		SCREW TE 8X30 UNI5739	1,00	07/01/2008		--
0053	VTRS00512		WASHER D. 8 X24 ZC.	2,00	07/01/2008		--
0054	VTDD00041		SELF-LOCJ.NUT M 8 UNI7473 8.8 ZNT	2,00	07/01/2008		--
0055	VTRS00512		WASHER D. 8 X24 ZC.	2,00	07/01/2008		--
0056	CMCV00001		FORK UNI 1676 M8X16	1,00	07/01/2008		--
0056	CMCV75718		CLIP UNI 1676 M8	1,00	07/01/2008		--
0057	VTDD00041		SELF-LOCJ.NUT M 8 UNI7473 8.8 ZNT	2,00	12/11/2007		--
0058	RCVR00173		FAIR-LEAD D. 7-12 PVC	6,00	12/11/2008		--
0059	MEVR00244		FAIR-LEAD D. 7-12 PVC	2,00	12/11/2008		--
0060	VTDD48188		NUT M 6 CIE. INX A2 UNI 5721	1,00	01/01/2009		--
0061	VTDD00482		NUT M 6 ZIN UNI 5588	1,00	01/01/2009		--
0062	VTRS01079		WASHER D. 6 GROWER	1,00	01/01/2009		--
0063	CMCV00442		CABLE -	2,00	01/04/2009		--
0064	VTVT00892		SCREW	2,00	01/04/2009		--
0065	VTRS15958		WASHER UNI 6592 5X15X1,5 ZB	2,00	01/04/2009		--
0066	LAFN03840		BUSHING	2,00	01/04/2009		--
0067	VTRS86980		WASHER D. 6X18 UNI6593	2,00	01/04/2009		--
0068	VTRS86980		WASHER D. 6X18 UNI6593	2,00	01/04/2009		--
0069	VTVT09916		SCREW TBCE ISO 7380 6X20 ZB	2,00			--
0070	VTVT20261		SCREW EI-ST 6X20 UNI5923	2,00	01/04/2009		--
0071	MPVR05627		KNOB -	2,00	01/04/2009		--



Ref. K	Part n.	Part n. 2	Description	Quantity	Validity		Price
					From	To	
0001	MPVR05254		FLANGE CARICABATTERIA	1,00			--
0002	LAFN07267		BRACKET 512-712	1,00			--
0003	BACA00123		BATTERY-CHARGER CBHD1 24V 10A	1,00			--
0004	MPVR05325		COVER 512-712	1,00			--
0005	METT00079		CONTACTOR E TL 10P 24V 100A	1,00			--
0006	MEVR01707		CONNECTOR -	1,00			--
0007	MECB01022		WIRING 512	1,00			--
0008	METT00053		BLOCK PORTA RELE'	3,00			--
0009	MEVR01116		SUPPORT FUSIBILE 120 A	1,00			--
0010	MECE00455		BOARD TRACTION 512-712 RIDER	1,00			--
0011	MEVR00584		FUSE 3A	1,00			--
0012	MEVR00327		FUSE 25A	1,00			--
0013	MEVR01133		FUSE 15A 32V	1,00			--
0014	MEVR00327		FUSE 25A	1,00			--
0015	MEVR01380		FUSE A LAMA	1,00			--
0016	MEVR00567		FUSE-HOLDER 6 VIE	1,00			--
0017	LAFN07370		SUPPORT RELE'	1,00			--
0018	MEVR00618		FUSE 60A	1,00			--
0019	MEVR00613		FUSE CARRIER MAXIVAL with cover	1,00			--
0020	MEVR00567		FUSE-HOLDER 6 VIE	1,00			--
0021	LAFN06887		SUPPORT 712	2,00			--
0022	MPVR35547		BATT.BRACKET PP. 25 L=1000 L.8	2,00			--
0023	ETET01538		LABEL 512-712	1,00			--
0024	MECB01022		WIRING 512	1,00			--
0025	VTDD00491		NUT M 6 TEF	1,00			--
0026	MEVR34820		WIRING BATTERY BRIDGE W/TERMINAL	1,00			--
0027	VTVT00099		SCREW AUTOF.TC UNI 6954 3,9X13	1,00			--
0028	VTVT00021		SCREW TE UNI 5739 3X25 ZB	2,00			--
0029	VTVT13597		SCREW EXAGONAL BOLT 6X12	2,00			--
0030	VTDD00491		NUT M 6 TEF	2,00			--
0031	VTVT01363		SCREW PAT TMT PHL 5X25 INX	4,00			--
0032	VTVT00892		SCREW	2,00			--
0033	MECI34120		SWITCH T 115-EA	1,00			--
0036	VTVT62916		SCREW TE M5X12 ZN UNI 5739-8.8	2,00			--
0037	MECB01113		WIRING	1,00			--
0038	MECE00454		BOARD	1,00			--
0040	MECI00541		SELECTOR -	1,00	01/03/2008		--
0040	MECI75805		SWITCH KEY FOR BATTERY MACHINES	1,00		29/02/2008	--
0041	LAFN07272		BOARD 512-712	1,00			--
0042	MERL00006		SWITCH RELAY R502 024 H3M 1NO 80A	3,00			--
0043	VTVT00019		SCREW TE UNI 5739 3X20 ZB	2,00	25/10/2010		--
0044	MECI30642		MICRO-SWITCH 11A 0.33HP	1,00	25/10/2010		--
0045	VTVT00005		SCREW TE M 5X 12 F/ROND.ZIGR	2,00			--
0046	LAFN06858		SUPPORT 512-712UT	1,00	25/10/2010		--



Ref. K	Part n.	Part n. 2	Description	Quantity	Validity		Price
					From	To	
0047	VTDD09556		NUT M3 TEFLON	2,00	25/10/2010		--
0048	LAFN06409		SUPPORT -	1,00	26/10/2010		--
0049	VTVT00872		SCREW TSP+ 2.9X13 AUTOFIL. INOX	1,00	26/10/2010		--
0050	VTVT00671		SCREW TC- M.2-16 OTTONE	2,00	26/10/2010		--
0052	MECB01094		WIRING -	1,00	26/10/2010		--
0053	VTDD08634		NUT M2	2,00	26/10/2010		--
0054	VTVT00814		SCREW TE M.4-25	2,00	26/10/2010		--
0055	LAFN07187		BRACKET -	1,00	26/10/2010		--
0056	VTDD00147		NUT M 4 INX U.5588	2,00	26/10/2010		--
0057	VTVS15913		WASHER D. 4 GROVER A2 UNI1751	2,00	26/10/2010		--
0058	VTVT00005		SCREW TE M 5X 12 F/ROND.ZIGR	2,00	26/10/2010		--