

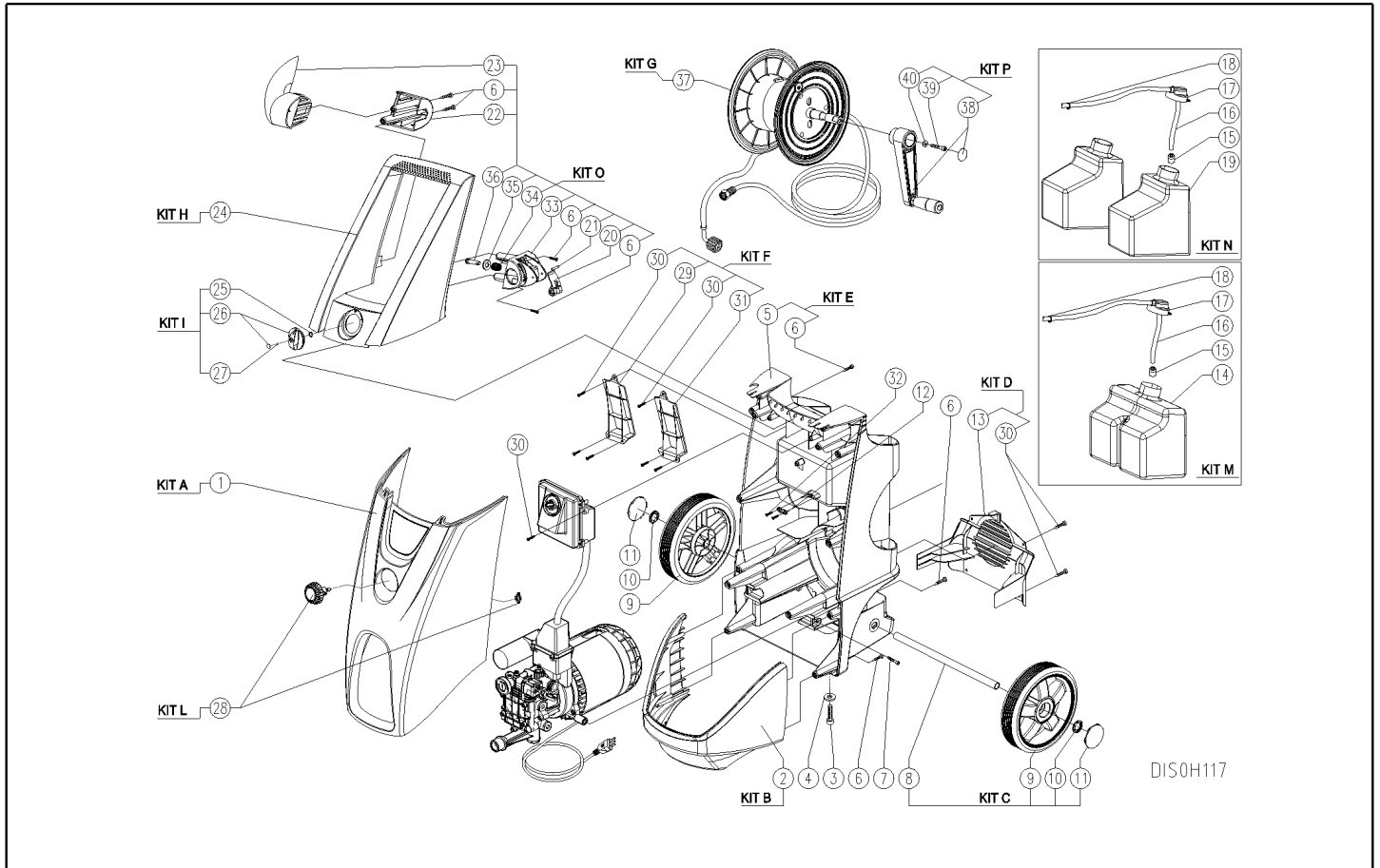


**IPC**

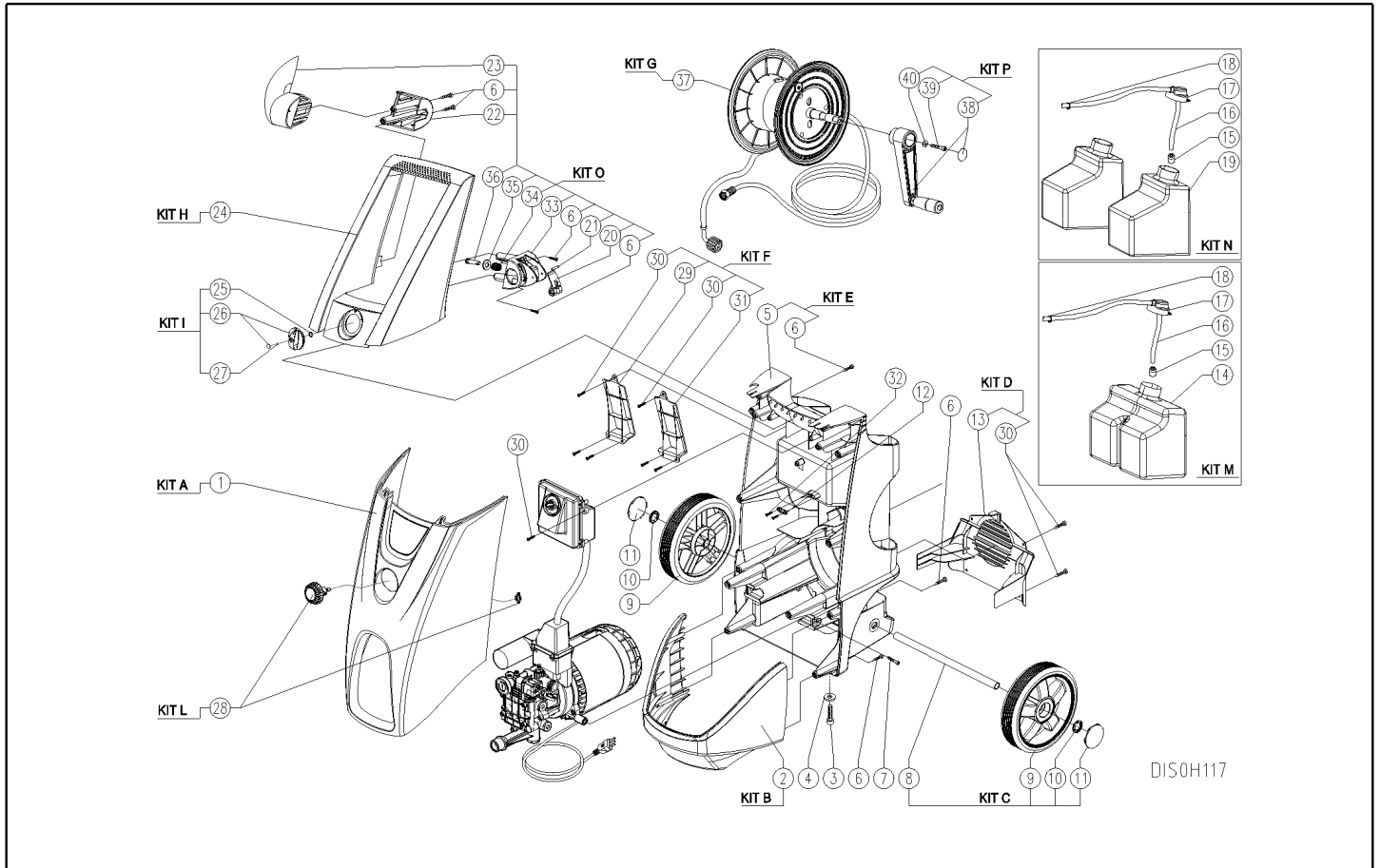
**Spare parts list**

Ref: IDAF93810

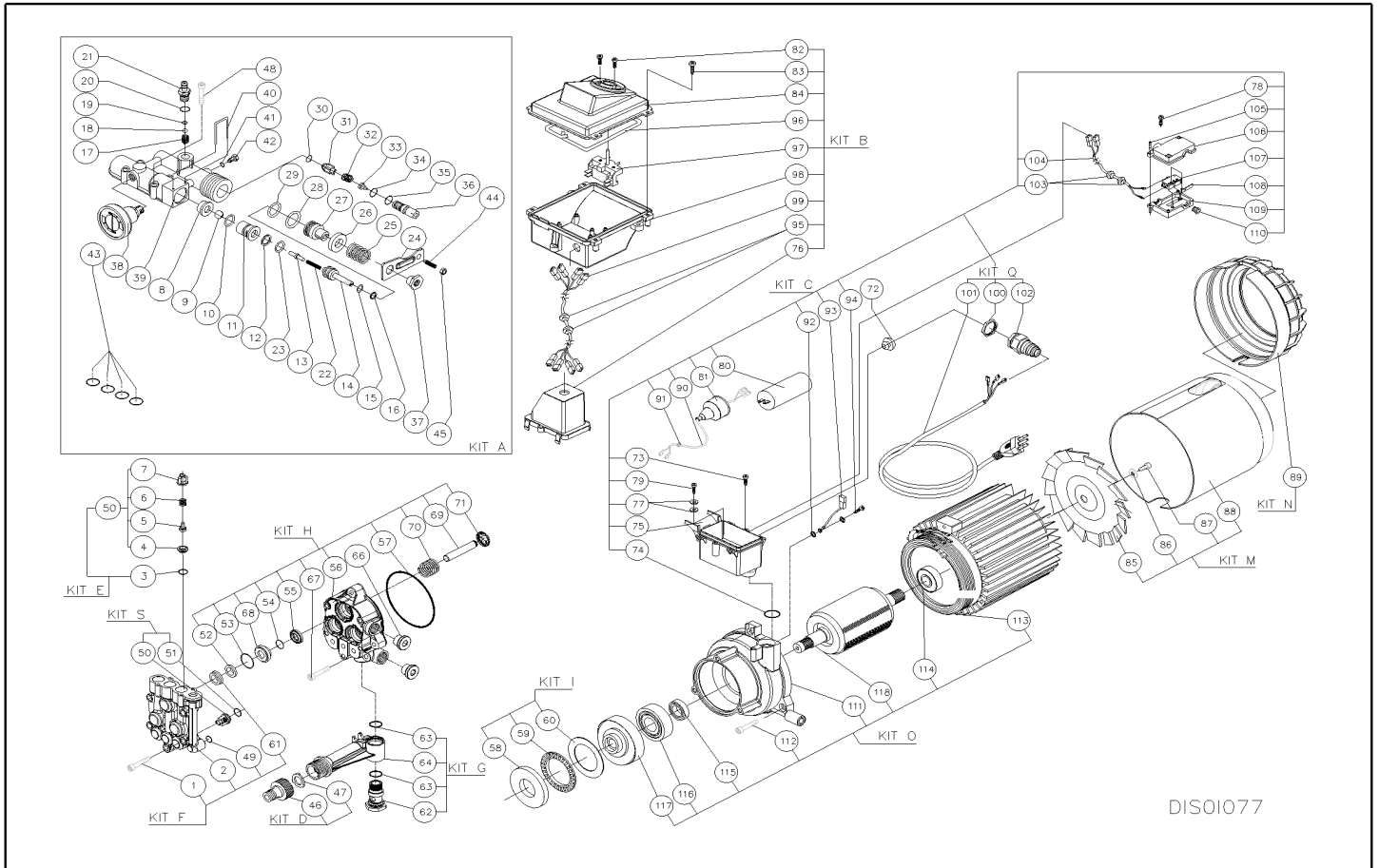
Model: H.P. CLEANER "FOMA 925" 230/50



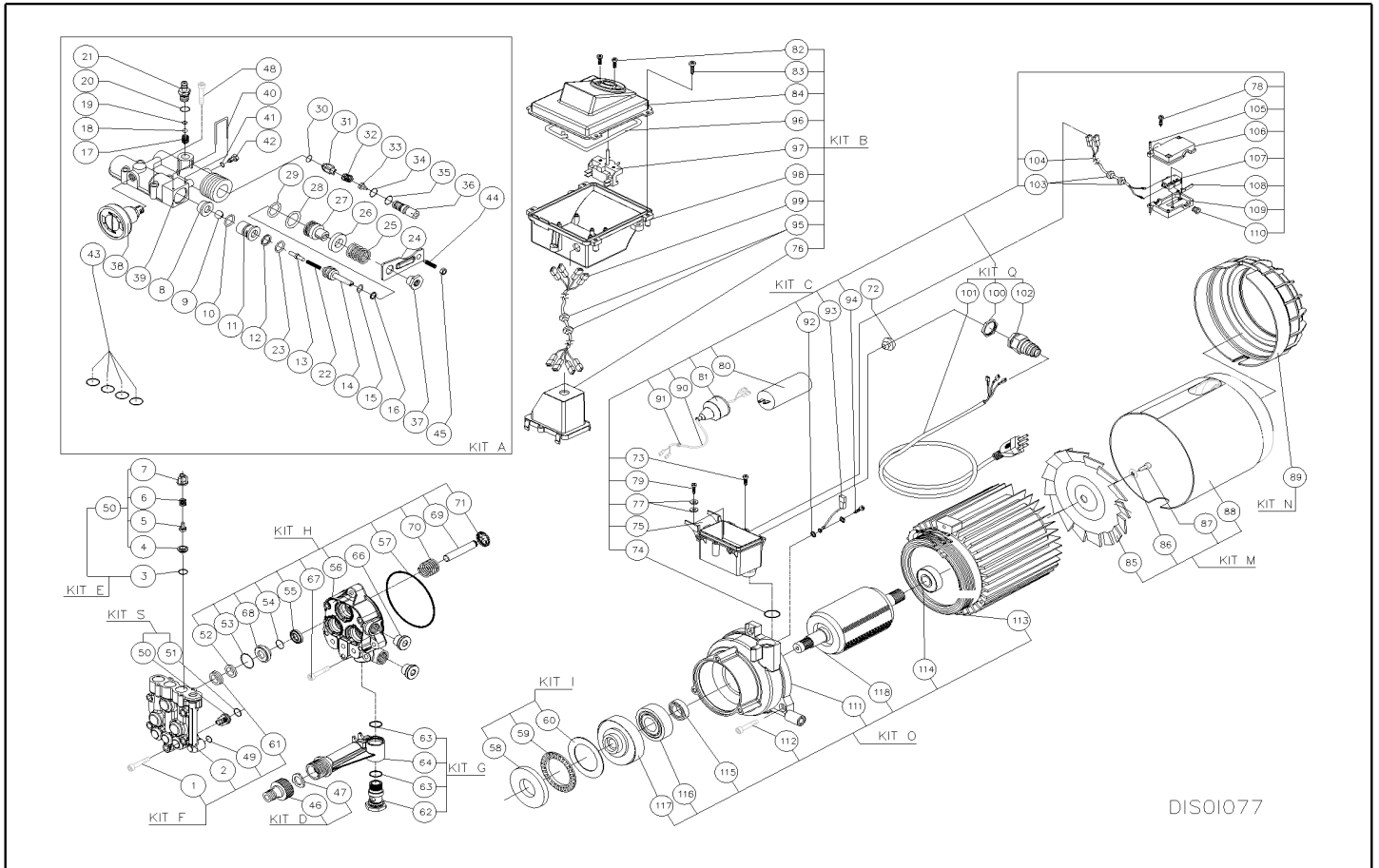
Ref. K	Part n.	Part n. 2	Description	Quantity	Validity		Price
					From	To	
0001	E	MPVR92126	RED COVER "SERIE G" IPC	1,00			--
0002	E	MPVR92120	BAND ANT. "SERIE G"	1,00			--
0003	E	VTVT01573	SCREW TCEI 8X25 UNI5931	1,00			--
0003	E	VTVT90541	SCREW TCEI M 6X20 ATF TRIL.	1,00			--
0004	E	VTRS63232	WASHER D. 8 X17	1,00			--
0004	E	VTRS63242	WASHER D. 6 X24 ZC	1,00			--
0005	E	MPVR92122	FRAME "SERIE G"	1,00			--
0006	E	VTVT80745	SCREW TCB-TC 5 X25	18,00			--
0007	E	VTVT01573	SCREW TCEI 8X25 UNI5931	2,00			--
0008	E	LAFN92146	WHEELS AXLE G LINE. AC ZC.	1,00			--
0009	E	RTRT91967	WHEEL D.200 "S.G" GR.	2,00			--
0010	E	VTRS60945	WASHER D.15	2,00			--
0011	E	MPVR91970	GREY HUB CAP "SERIE G"	2,00			--
0012	E	MPVR60495	CLAMP HOBBY	1,00			--
0013	E	MPVR92355	BAND POST. "SERIE G"	1,00			--
0015	E	MPVR60422	SUCTION FILTER DETERG.HOBBY 90	1,00			--
0016	E	TBBP04917	L.P. HOSE D. 6- 9	0,90			--
0017	E	MPVR91923	TANK CAP "G160"	2,00			--
0018	E	FSSVR72803	CLAMP D 9.3 - 9.9	2,00			--
0019	E	MPVR92131	DETERGENT TANK "SERIE G" LT 1,5	2,00			--
0020	E	MPVR92108	ECCENTRIC CAM AVTB "G"	1,00			--
0021	E	VTVR92465	PLUG D. 4X20 UNI 1707 INX	1,00			--
0022	E	MPVR92112	HOSE WIND.SUPP. "SERIE G" DX	1,00			--
0023	E	MPVR92116	HOOK "SERIE G" DX	1,00			--
0024	E	MPVR92477	HANDLE "SERIE G"	1,00			--
0025	E	GUGO01060	O-RING D. 9.92 X 2.62 NBR 70SH	1,00			--
0026	E	MPVR91917	SWITCH KNOB SERIE "G"	1,00			--
0027	E	VTVT92473	SCREW TCB-TC 2,5X12 ZINC	1,00			--
0028	E	RCGR92667	TAP "G" SERIG. 2T	1,00			--
0029	E	MPVR93244	PLATE TELAIO "SERIE G" DX	1,00			--
0030	E	VTVT67350	SCREW TCB TC 5X20 Z.N. UNI9707	13,00			--
0031	E	MPVR93245	PLATE TELAIO "SERIE G" SX	1,00			--
0032	E	VTVT62978	SCREW TCB TC 4,8X16 ZC	2,00			--
0033	E	MPVR92118	HOSE WIND.SUPP. "SERIE G" SX	1,00			--
0034	E	MLML92466	SPRING SPINTA CAMMA BLOC. "G"	1,00			--
0035	E	LAFN40163	SPACER B.PASS 12	1,00			--
0036	E	RCDS92467	PIN CAMMA BLOC. AVTB "G"	1,00			--
0037	E	AVTB91873	HOSE REEL ASS. "G160"	1,00		30/06/2007	--
0037	E	AVTB93807	HOSE REEL ASS. "G160" AP+GM 12	1,00	01/07/2007		--
0038	E	MPVR92147	HANDLE AVTB "SERIE G"	1,00			--



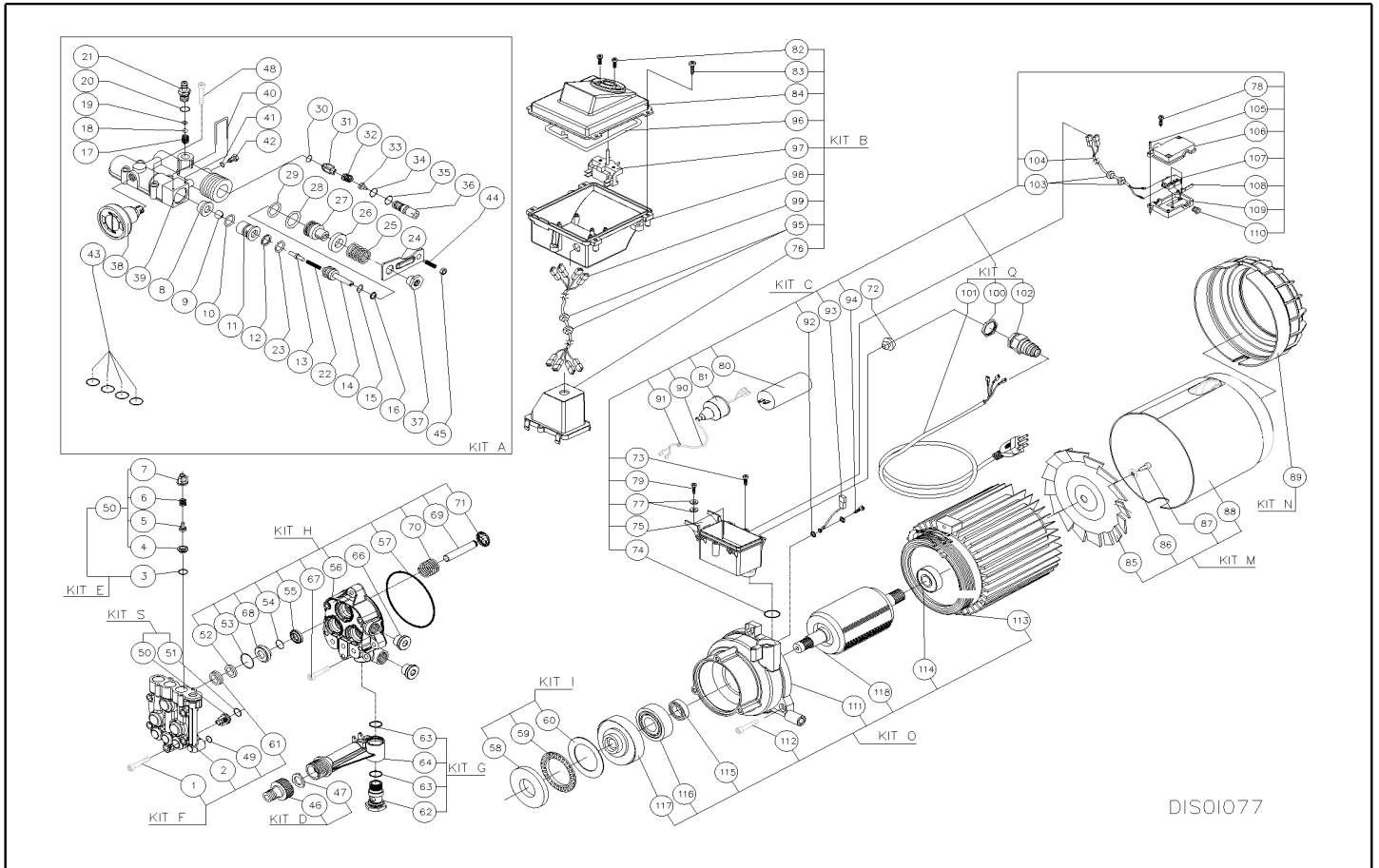
Ref. Part n.	Part n. 2	Description	Reference	Price
K A	KTRI93635	RED COVER KIT F24-074 "G" (3 PZ)	0001	--
K B	KTRI93502	BAND KIT F24-056 ANT. "G" (5P)	0002 0006	--
K C	KTRI93503	WHEEL KIT F1-004 AQK-PRO (1P)	0008 0009 0010 0011	--
K D	KTRI93504	COOLING GRILL KIT F24-057 "G" (10 PZ)	0013 0030	--
K E	KTRI93505	FRAME KIT F24-058 "SERIE G"(1)	0005 0006	--
K F	KTRI93506	PLATE KIT F24-059 "G"DX/SX (10P)	0029 0030 0031	--
K G	KTRI93526	HOSE REEL KIT F35-002 "G160"+GM 12M	0037	--
K H	KTRI93623	HANDLE KIT F 24-071 "SERIE G" 3P	0024	--
K I	KTRI93509	RED KNOB KIT F04-001 INT."G" (20P)	0025 0026 0027	--
K L	KTRI93524	TAP KIT F6-006 "G" 2T (10PZ)	0028	--
K N	KTRI93525	DETERGENT TANK KIT F6-007 "G" 1,5LT(2PZ)	0015 0016 0017 0018 0019	--
K O	KTRI93522	HOOK KIT F24-063 "PRO150X"(1PZ)	0006 0020 0021 0022 0023 0033 0034 0035 0036	--
K P	KTRI93527	HANDLE KIT F24-065 AVTB "G"(1PZ)	0003 0003 0004 0004 0038	--
K 3	KTRI84025	SCREW KIT 830 (50 PZ)	0003 0003	--
K 4	KTRI93551	SCREW KIT F 30-014 (50 PZ)	0004 0004	--
K 6	KTRI92987	SCREW KIT F 30-006 (50 PZ)	0006	--
K 7	KTRI93513	SCREW KIT F 30-012 (50 PZ)	0007	--
K 12	KTRI84071	CLAMP KIT 876 (20 PZ)	0012	--
K 30	KTRI93514	SCREW KIT F 30-013 (50 PZ)	0030	--
K 32	KTRI84030	SCREW KIT 835 (50 PZ)	0032	--



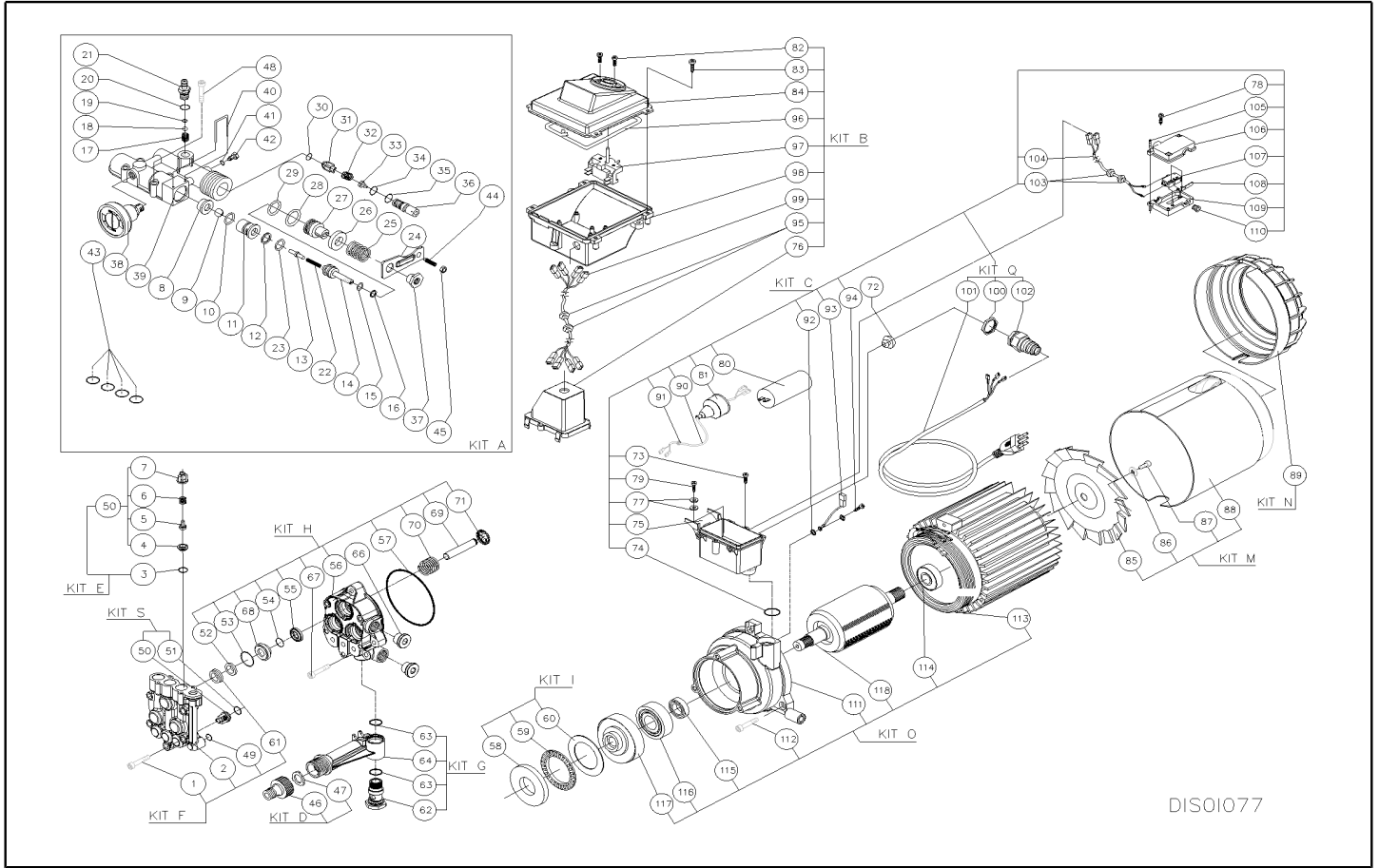
Ref. K	Part n.	Part n. 2	Description	Quantity	Validity		Price
					From	To	
0001	E	VTVT91360	SCREW TCEI M 7X35 32000 N ZN.G.	5,00	27/11/2004	--	--
0002	E	MFVR92151	HEAD HOBBY OT 5VT M7 EC5	1,00	27/11/2004	--	--
0003	E	GUGO21841	O-RING D. 12.42 X 1.78 NBR 90SH	3,00	27/11/2004	--	--
0004	E	PVVR40191	VALVE SEAT "TH"	1,00	27/11/2004	--	--
0005	E	PVVR40190	CAP A.700 INX	1,00	27/11/2004	--	--
0006	E	MLML40189	SPRING D. 5.5 "TH"	1,00	27/11/2004	--	--
0007	E	PVVR40188	VALVE GUIDE "TH"	1,00	27/11/2004	--	--
0008	E	PVVR40167	CAP B12	1,00	--	--	--
0009	E	SFVR53318	BALL D. 7 AISI 420	1,00	--	--	--
0010	E	GUGO03496	O-RING D. 9.25 X 1.78 NBR 70SH	1,00	--	--	--
0011	E	PVVR81275	VALVE SEAT D. 5.6 B POL.	1,00	--	--	--
0012	E	GUVR63570	ANTI-EXTR.RING D. 9 X12 X1.5 OR108	1,00	--	--	--
0013	E	PVVR40165	CONTROL PISTON E.START	1,00	--	--	--
0014	E	PVVR92410	SMALL PISTON E.START LG. ALL.	1,00	--	--	--
0015	E	GUGO12489	O-RING D. 6.07 X 1.78 NBR 70SH	2,00	--	--	--
0016	E	GUVR40170	ANTI-EXTR.RING D. 6 X 9	1,00	--	--	--
0017	E	MLML40172	SPRING D. 3.5 h=12	1,00	--	--	--
0018	E	SFVR40173	BALL D. 3/16" AISI 420	1,00	--	--	--
0019	E	GUGO01062	O-RING D. 3.69 X 1.78 NBR 70SH	1,00	--	--	--
0020	E	GUGO06988	O-RING D. 7.66 X 1.78 NBR 70SH	1,00	--	--	--
0021	E	RCDS92412	CONNECTOR ASP.DETERG.- H110 ALL	1,00	--	--	--
0022	E	MLML40169	SPRING E.START	1,00	--	--	--
0023	E	GUGO63403	O-RING D. 8.73 X 1.78 NBR 70SH	1,00	27/11/2004	--	--
0024	E	LAFN41612	PLATE SIST.T-STOP A/400	1,00	--	--	--
0025	E	MLML80964	SPRING D. 17.5 X 25 X 3,5 145 BA	1,00	--	--	--
0026	E	LAFN58903	SPACER D.12 BY-PASS	1,00	--	--	--
0027	E	PVVR92408	VALVE BODY BY-PASS B ALL.	1,00	--	--	--
0028	E	GUGO09720	O-RING D. 14 X 1.78 NBR 70SH	1,00	27/09/2004	--	--
0029	E	GUGO11652	O-RING D. 12.42 X 1.78 NBR 70SH	1,00	27/09/2004	--	--
0030	E	GUGO40181	O-RING D. 5 X 2 NBR 90SH	1,00	--	--	--
0031	E	VVSF40182	VALVE H90 PLS	1,00	--	--	--
0032	E	MLML59254	SPRING D. 9.2 X10X0.8 AISI 302	1,00	--	--	--
0033	E	UGEI40178	NOZZLE D. 1.8 HOBBY	1,00	--	--	--
0034	E	GUGO40179	O-RING D. 8 X 2 NBR 70SH	1,00	--	--	--
0035	E	GUGO03496	O-RING D. 9.25 X 1.78 NBR 70SH	1,00	--	--	--
0036	E	MPVR81152	NIPPLE H90 S3	1,00	--	--	--
0037	E	VTDD92738	NUT E.START ALL.	1,00	--	--	--
0038	E	MNMN91833	PRESSURE GAUGE D.40 MIN-MAX R1/8"	1,00	06/02/2005	--	--
0039	E	MFVR40184	MANIFOLD A.700	1,00	--	--	--
0040	E	LAFN82147	PLUG ARR.CART BY-PASS BUR S2	1,00	--	--	--
0041	E	GUGO63486	O-RING D. 4 X 2 -NBR 90SH	1,00	--	--	--
0042	E	PVVR92733	SCREW RIT.NIPPLO HOBBY90 ALL.	1,00	--	--	--
0043	E	GUGO40193	O-RING D. 15 X 2 NBR 70SH	4,00	27/11/2004	--	--
0044	E	VTVT80892	SCREW M 5X 30 UNI 5925	1,00	09/02/2005	--	--



Ref. K	Part n.	Part n. 2	Description	Quantity	Validity		Price
					From	To	
0045	E	VTDD01678	NUT M 5 UNI 5588	1,00			--
0046	E	FTAC92422	WATER FILTER ASS. MTPV2000	1,00	15/11/2004		--
0047	E	RCVR90242	SOCKET 3433 BK.	1,00	01/07/2003		--
0048	E	VTVT91362	SCREW TCEI M 5X30 12.9 ZN.G.	4,00	27/11/2004		--
0049	E	GUGO63403	O-RING D. 8.73 X 1.78 NBR 70SH	1,00			--
0050	E	VVAM41610	VALVE UNIT F 140/150 IP	6,00	27/11/2004		--
0051	E	GUGO40192	O-RING D. 12 X 2 NBR 90SH	3,00	27/11/2004		--
0052	E	PVVR81773	HEAD RING 14X22X1.5 WB1422PS033	3,00	27/11/2004		--
0053	E	GUGO19290	O-RING D. 23.52 X 1.78 NBR 70SH	3,00	27/11/2004		--
0054	E	GUGO19194	O-RING D. 11.11 X 1.78 NBR 70SH	3,00			--
0055	E	GUGO83400	OIL SEAL 14X 22X 5/7	3,00			--
0056	E	MFVR91823	CRANKCASE RNF 14CT H3 PF3/8G SS 3/8	1,00			--
0057	E	GUGO40199	O-RING D. 80.60 X 2.62 NBR 70SH	1,00			--
0058	E	CUVR91911	THRUST BLOCK D. 27X60 H6	1,00	22/12/2004		--
0059	E	CUVR40152	ROLLER BEARING AXK 4060	1,00			--
0060	E	CUVR40153	FLANGE D. 40X60-1 AS4060	1,00			--
0061	E	GUVR40194	PACKING D. 14 W214	3,00	27/11/2004		--
0062	E	MPVR91829	SCREW 3/8 RACC. ASP. G160	1,00			--
0063	E	GUGO24913	O-RING D. 17.17 X 1.78 NBR 90SH	2,00			--
0064	E	MPVR91828	INTAKE CONNECT. G160	1,00			--
0066	E	RCVR67288	OIL CAP 3/8+G TCNB-38	2,00			--
0067	E	VTVT91361	SCREW TCEI M 6X30 22000 N ZN.G.	3,00	27/11/2004		--
0068	E	PVVR92721	PACKING RETAIN. D. 14 H.90 S2 ALL.	3,00	01/01/2005		--
0069	E	PIVR67537	PISTON D. 14X 63 HBY 90SP.	3,00			--
0070	E	MLML59285	SPRING 5 SP	3,00	20/10/1999		--
0071	E	PVVR40201	SPRING PLATE H.90	3,00			--
0072	E	MEVR90388	FAIR-LEAD GOMMA 9/14/18-3	1,00	25/11/2004		--
0073	E	VTVT80745	SCREW TCB-TC 5 X25	2,00			--
0074	E	GUGO63500	O-RING D. 19 X 2 NBR 70SH	1,00			--
0075	E	MPVR90325	BASE-SUPPORT SC. EL. H112	1,00			--
0076	E	MPVR91924	BOX COVER "G"	1,00	25/11/2004		--
0077	E	VTRS63246	WASHER D. 5.3X10 ZN	2,00	16/02/2005		--
0078	E	VTVT63009	SCREW TRU TSP CR 3,5X16 ZN.S/P	1,00	01/11/2004		--
0079	E	VTVT67358	SCREW TCEI M5X20 AUTOM. TRIL.ZN	1,00			--
0080	E	MECO61715	CONDENSER 40 MF D. 45X 95 FASTON	1,00	25/11/2004		--
0081	E	MPVR60388	COWLING PER CONDENSATORE	1,00	25/11/2004		--
0082	E	VTVT63046	SCREW TSPEI M4X12 ZC.	2,00	25/11/2004		--
0082	E	VTVT67356	SCREW M 4X 12 TCB TC TRIL.	2,00	09/02/2005		--
0083	E	VTVT62983	SCREW ATF TC CROCE M3,9X19 BRU	4,00	25/11/2004		--
0084	E	MPVR91919	BOX COVER "G160"	1,00	25/11/2004		--
0085	E	VEVR91813	IMPELLER G160 D.150	1,00			--
0086	E	FSVR91814	RING BLOCCAGGIO VENTOLA 80	1,00			--
0088	E	MPVR91812	CONVEYOR G160	1,00			--
0090	E	MECV61787	CABLE BIPOLARE UL105° 2X18AWG	0,30	25/11/2004		--

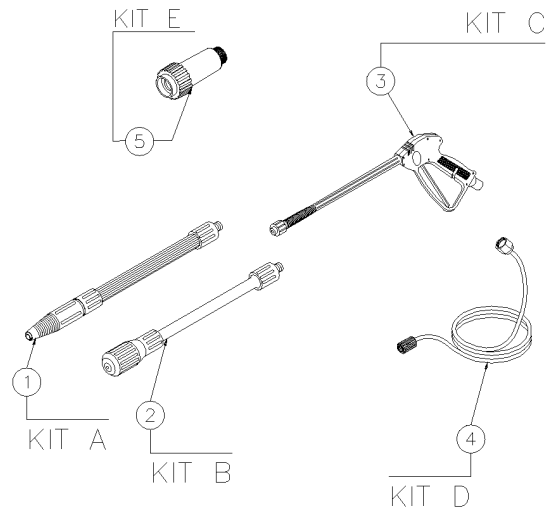


Ref. K	Part n.	Part n. 2	Description	Quantity	Validity		Price
					From	To	
0091	E	MPVR60518	FAIR-LEAD 15X7,5	1,00	25/11/2004	--	--
0092	E	VTRS63310	WASHER D. 4	2,00	09/02/2005	--	--
0093	E	MECB80079	CABLE 1X1,5 SG L=27	1,00	09/02/2005	--	--
0094	E	VTVT67356	SCREW M 4X 12 TCB TC TRIL.	1,00	--	--	--
0095	E	MEVR67433	FAIR-LEAD DR10/14/18-3	2,00	22/12/2004	--	--
0096	E	GUVR82555	JOINT D. 4	0,40	25/11/2004	--	--
0097	E	MECI61599	SWITCH AQUA 3022/31 A PL	1,00	25/11/2004	--	--
0098	E	MPVR91921	BUSHING SCAT.EL. SERIE "G"	1,00	25/11/2004	--	--
0099	E	MECB91925	CABLE H07RNF 4X1,5 L=450 mm	1,00	--	--	--
0100	E	MEVR61843	LOCKNUT PG 11	1,00	25/11/2004	--	--
0101	E	MECB81327	CABLE H07 RNF 3X1,5 MT 5.5 S2	1,00	25/11/2004	--	--
0102	E	MEVR40210	FAIR-LEAD D. 10 HMM	1,00	25/11/2004	--	--
0103	E	MPVR60518	FAIR-LEAD 15X7,5	2,00	25/11/2004	--	--
0104	E	MECB64268	CABLE T/S 2X1 L=300 2 FAST.L.	1,00	--	--	--
0105	E	VTVT07859	SCREW TCB-TC 3.5X13 UNI6954	3,00	25/11/2004	--	--
0106	E	MPVR82050	LID T/S AQUA 400 S2	1,00	25/11/2004	--	--
0107	E	MECI80953	MICROSWITCH 20A 1CT UA831612RW2 UL	1,00	25/11/2004	--	--
0108	E	LAFN41618	LAMINATION ONE JT.	1,00	25/11/2004	--	--
0109	E	MPVR82051	BASE-SUPPORT T/S AQUA 400	1,00	25/11/2004	--	--
0110	E	MPVR41620	PROTECTOR S.T-STOP FP	1,00	25/11/2004	--	--
0111	E	MFVR91807	SHIELD ANT. "G160"	1,00	--	--	--
0112	E	VTVT90541	SCREW TCEI M 6X20 ATF TRIL.	3,00	24/02/2004	--	--
0113	E	MOST92390	EL.MOT. STATOR CPL 128X67H120 230/50I	1,00	26/07/2004	--	--
0114	E	CUVR53295	BALL BEARING 6003 2Z ZKL	1,00	--	--	--
0115	E	PVVR63537	OIL SEAL 17X 28X 7-NBR HOBBY 90	1,00	--	--	--
0116	E	CUVR53307	BALL BEARING 7303 B	1,00	--	--	--
0117	E	PVVR40154	CAP H.90 9°	1,00	15/12/2004	--	--
0118	E	MORT91311	EL.MOT. ROTOR CPL 67X20H110	1,00	--	--	--



DIS01077

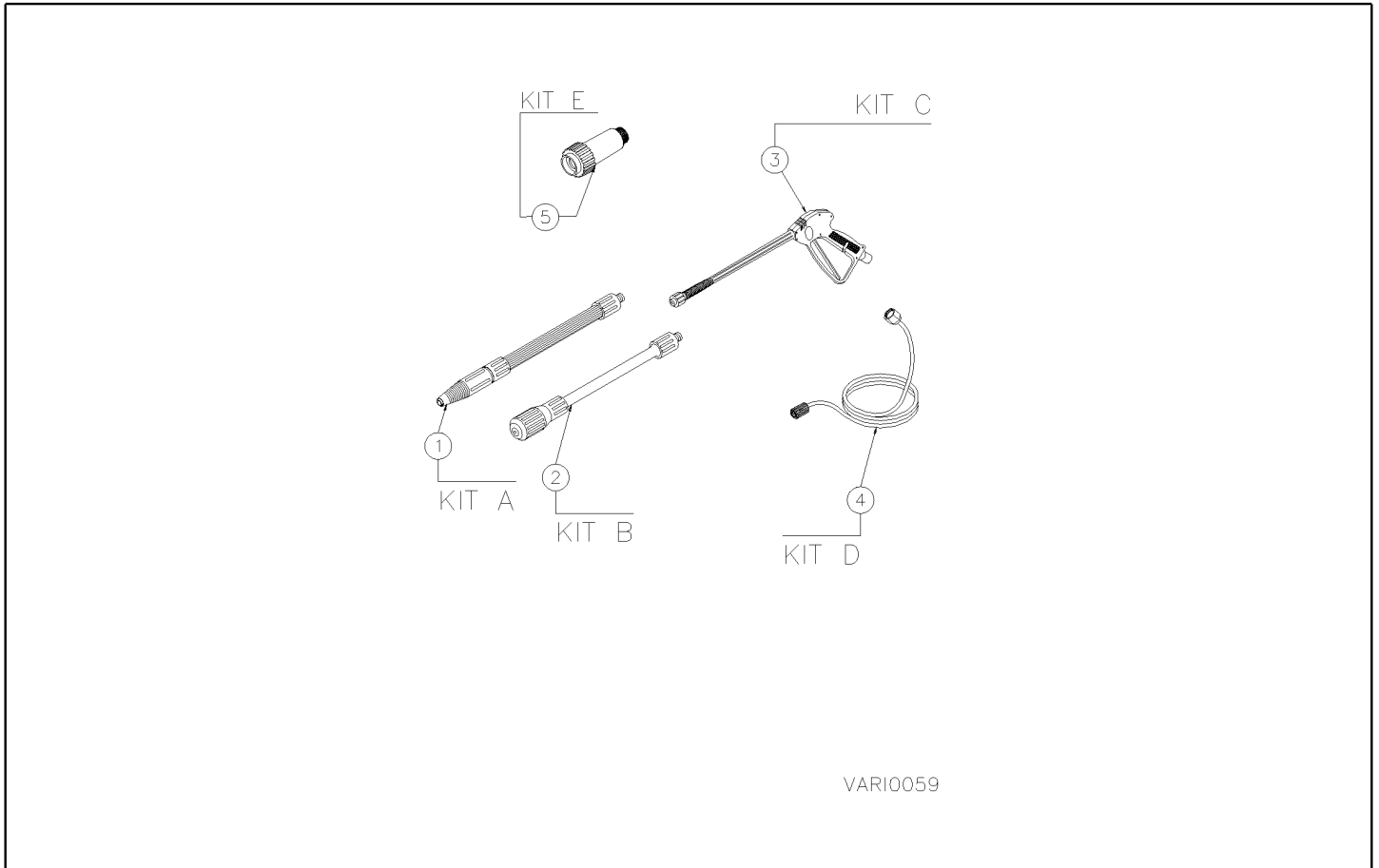
Ref. Part n.	Part n. 2	Description	Reference	Price
K A	KTRI93549	MANIFOLD KIT F 14-016 G160X (5 PZ)	0008 0009 0010 0011 0012 0013 0014 0015 0016 0017 0018 0019 0020 0021 0022 0023 0024 0025 0026 0027 0028 0029 0030 0031 0032 0033 0034 0035 0036 0037 0038 0039 0040 0041 0042 0043 0044 0045 0048	--
K B	KTRI93529	CONTROL BOARD KIT F 37-044 G150X (2P)	0076 0082 0082 0083 0084 0095 0096 0097 0098 0099	--
K C	KTRI93530	CONTROL BOARD KIT F37-045 G160X INF.(2P)	0072 0073 0074 0075 0077 0078 0079 0080 0081 0090 0091 0092 0093 0094 0100 0101 0102 0103 0104 0105 0106 0107 0108 0109 0110	--
K D	KTRI82810	QUICK SOCKET KIT 560 (20 PZ)	0046 0047	--
K E	KTRI82808	SMALL VALVE KIT 558 (30 PZ)	0003 0004 0005 0006 0007 0050	--
K F	KTRI93405	HEAD KIT F 15-041 "G" OT (1PZ)	0001 0002 0049 0061	--
K G	KTRI93406	INTAKE CONNECT. KIT F 15-042 "G" (1 PZ)	0062 0063 0064	--
K H	KTRI93407	CRANKCASE F 15-043 "G150" (5PZ)	0052 0053 0054 0055 0056 0057 0066 0067 0068 0069 0070 0071	--
K I	KTRI82812	ROLLER BEAR.DIS KIT 562 (10 PZ)	0058 0059 0060	--
K M	KTRI93544	CONVEYOR KIT F24-066 G160 (1PZ)	0085 0086 0088	--
K O	KTRI93545	MOTOR KIT F37-046 230/50 (1 PZ)	0111 0112 0113 0114 0115 0116 0117 0118	--
K Q	KTRI83741	CABLE KIT 742 F140 (1PZ)	0100 0101 0102	--
K S	KTRI83170	SMALL VALVE KIT 613 (30 PZ)	0050 0051	--
K 1	KTRI93434	SCREW KIT F 30-009 (50 PZ)	0001	--
K 12	KTRI93273	ANTI-EXTR.RING KIT F 15-033 (50 PZ)	0012	--
K 15	KTRI93430	O-RING KIT F 15-044 (50 PZ)	0015	--
K 16	KTRI93431	O-RING KIT F 15-045 (50 PZ)	0016	--
K 23	KTRI93274	O-RING KIT F 15-034 (50 PZ)	0023	--
K 28	KTRI93279	O-RING KIT F 15-039 (50 PZ)	0028	--
K 29	KTRI93278	O-RING KIT F 15-038 (50 PZ)	0029	--
K 34	KTRI92772	O-RING KIT F 15-031 (50 PZ)	0034	--
K 38	KTRI93432	O-RING KIT F 9-001 (20 PZ)	0038	--
K 43	KTRI93277	O-RING KIT F 15-037 (50 PZ)	0043	--
K 48	KTRI93609	SCREW KIT F 30-015 (50 PZ)	0048	--
K 53	KTRI93275	O-RING KIT F 15-035 (50 PZ)	0053	--
K 54	KTRI93276	O-RING KIT F 15-036 (50 PZ)	0054	--
K 57	KTRI84041	O-RING KIT 846 (20 PZ)	0057	--
K 61	KTRI93433	PACKING KIT F 15-046 (60 PZ)	0061	--
K 66	KTRI84064	CAP KIT 869 OIL 3/8G (20 PZ)	0066	--
K 67	KTRI93436	SCREW KIT F 30-010 (50 PZ)	0067	--
K 73	KTRI92987	SCREW KIT F 30-006 (50 PZ)	0073	--
K 74	KTRI93001	O-RING KIT F 15-032 (50 PZ)	0074	--
K 79	KTRI82973	SCREW KIT 590 (50 p.z.)	0079	--
K 80	KTRI84068	CAPACITOR KIT 873 40 MF (10 PZ)	0080	--
K 92	KTRI84029	WASHER KIT 834 (50 PZ)	0092	--
K 94	KTRI84040	SCREW KIT 845 (50 PZ)	0094	--
K 96	KTRI93435	SHEATH+CORD KIT F 24-054 (10MT)	0096	--
K110	KTRI92767	PROTECTOR KIT F 24-039 (50 PZ)	0110	--
K112	KTRI84025	SCREW KIT 830 (50 PZ)	0112	--



VARI0059

Ref. K	Part n.	Part n. 2	Description	Quantity	Validity		Price
					From	To	
0001	E	LCPR93174	LANCE T10-220B +SF230 D.1,25	1,00			--
0002	E	LCPR93175	LANCE TURBO TTR-16+SF230 D.1,30	1,00			--
0003	E	IPIP92478	GUN BIT-101 1/4M / M22X1,5	1,00			--

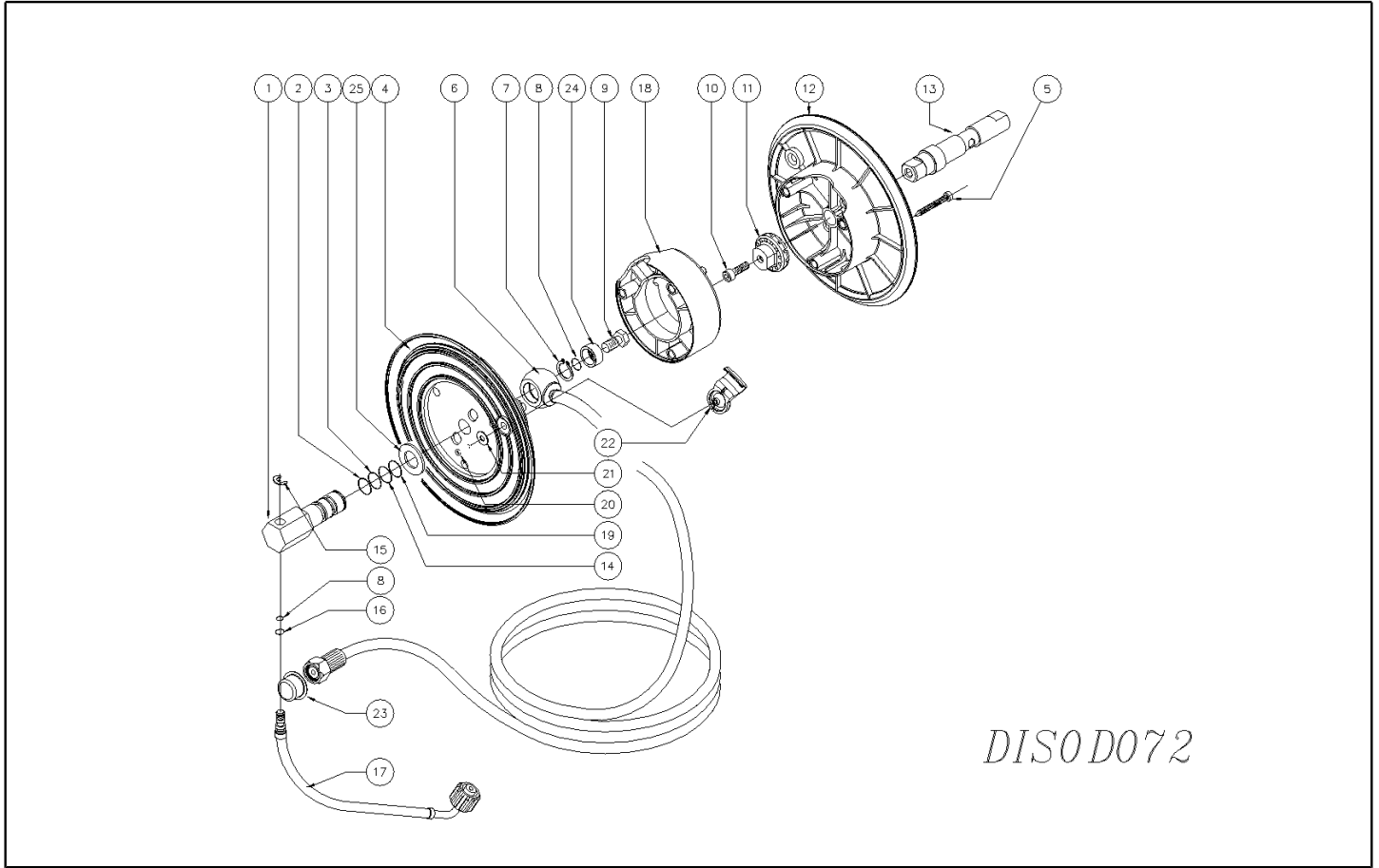




Ref. Part n.	Part n. 2	Description	Reference	Price
K A	KTRI93547	LANCE KIT F31-037 MRG 1,25(1PZ)	0001	--
K B	KTRI93546	HEAD KIT F31-036 LC TRB TTR16	0002	--
K C	KTRI93548	GUN F 26-015 BIT M22 (1 PZ)	0003	--

--	--	--	--	--	--	--	--	--	--

Ref. K	Part n.	Part n. 2	Description	Quantity	Validity		Price
					From	To	
0006	KTRI83826		BLISTER WASH BRUSH	1,00			--
0007	KTRI83827		BLISTER ROTARY BRUSH (ADJUSTABLE)	1,00			--
0008	KTRI83828		BLISTER ROTARY BRUSH (FIXED)	1,00			--
0009	KTRI83829		BLISTER EXTENSION HOSE 7 MT	1,00			--
0009	KTRI83830		BLISTER EXTENSION HOSE 7 MT	1,00			--
0009	KTRI90596		BLISTER EXTENSION HOSE 15MT TES	1,00			--
0009	KTRI90597		BLISTER EXTENSION HOSE 8 MT TES	1,00			--
0010	KTRI83831		BLISTER DRAIN CLEANER 8 MT	1,00			--
0010	KTRI83832		BLISTER DRAIN CLEANER 15 MT	1,00			--
0010	KTRI90060		BLISTER DRAIN CLEANER 8 MT TES	1,00			--
0010	KTRI90061		BLISTER DRAIN CLEANER 15 MT TES	1,00			--
0011	KTRI83833		BLISTER SANDBLASTING KIT	1,00			--
0013	KTRI84932		BLISTER SPAZZ. ORIZ. FOMA148171	1,00			--
0015	KTRI90059		BLISTER WATER FILTER KIT 976	1,00			--
0016	KTRI84891		BLISTER LANCIA ANG. FOMA148172	1,00			--
0017	KTRI90658		BLISTER KIT F 29-001 ADAT. UNIV.	1,00			--
0018	KTRI90679		BLISTER KIT F 29-002 "ANGLE LANCE	1,00			--



Ref. K	Part n.	Part n. 2	Description	Quantity	Validity		Price
					From	To	
0001	RCDS93815		PIN DIFF. AVTB "SERIE G" A.P	1,00			--
0002	GUGO09720		O-RING D. 14 X 1.78 NBR 70SH	1,00			--
0003	GUVR63567		ANTI-EXTR.RING X OR 2056	1,00			--
0004	MPVR81713		DISC HOSE REEL H120 DX	1,00			--
0005	VTVT91877		SCREW ATF TSP CROCE 4,5X60 Z.G.	3,00			--
0006	TBAP93476		H.P. HOSE 1/4 GM 210B 12MT AVTB AVP	1,00			--
0007	VTAE63319		CIRCLIP D. 16 UNI7435	1,00			--
0008	GUGO12489		O-RING D. 6.07 X 1.78 NBR 70SH	2,00			--
0009	RCDS92670		SCREW TE M 8X1X13 ALL.	1,00			--
0010	VTVT07947		SCREW TCEI 8X20 UNI5931	1,00			--
0011	MPVR93869		DRIVE DISK AVVOLG. SERIE "H122" AP	1,00			--
0012	MPVR81714		DISC HOSE REEL H120 SX	1,00			--
0013	RCDS91876		PIN AVTB "SERIE G"	1,00			--
0014	GUGO11652		O-RING D. 12.42 X 1.78 NBR 70SH	1,00			--
0015	VTAE82459		RING D. 7 UNI 7434	1,00			--
0016	GUGO03500		O-RING D. 6.75 X 1.78 NBR 70SH	1,00			--
0017	TBAP90051		HOSE AVV. H121 L=600	1,00			--
0018	MPVR91875		SPACER AVTB "G" L= 40mm	1,00			--
0019	GUVR93340		ANTI-EXTR.RING 16X13,2X1,45 PTFE SP5611	1,00			--
0020	VTVT67352		SCREW ATF TSP CROCE 4,8X16 ZIN.	1,00			--
0021	VTRS63232		WASHER D. 8 X17	1,00			--
0022	MPVR92672		BLOCK TUBO AVTB "G"	1,00			--
0023	MPVR63686		CAP D.22,5 - O1S/T22,5	1,00			--
0024	RCDS93495		SPACER PERNO DIFF. AVTB "G"	1,00			--
0025	VTRS93497		WASHER D.18,5 X24 X0,3 OT	1,00			--