

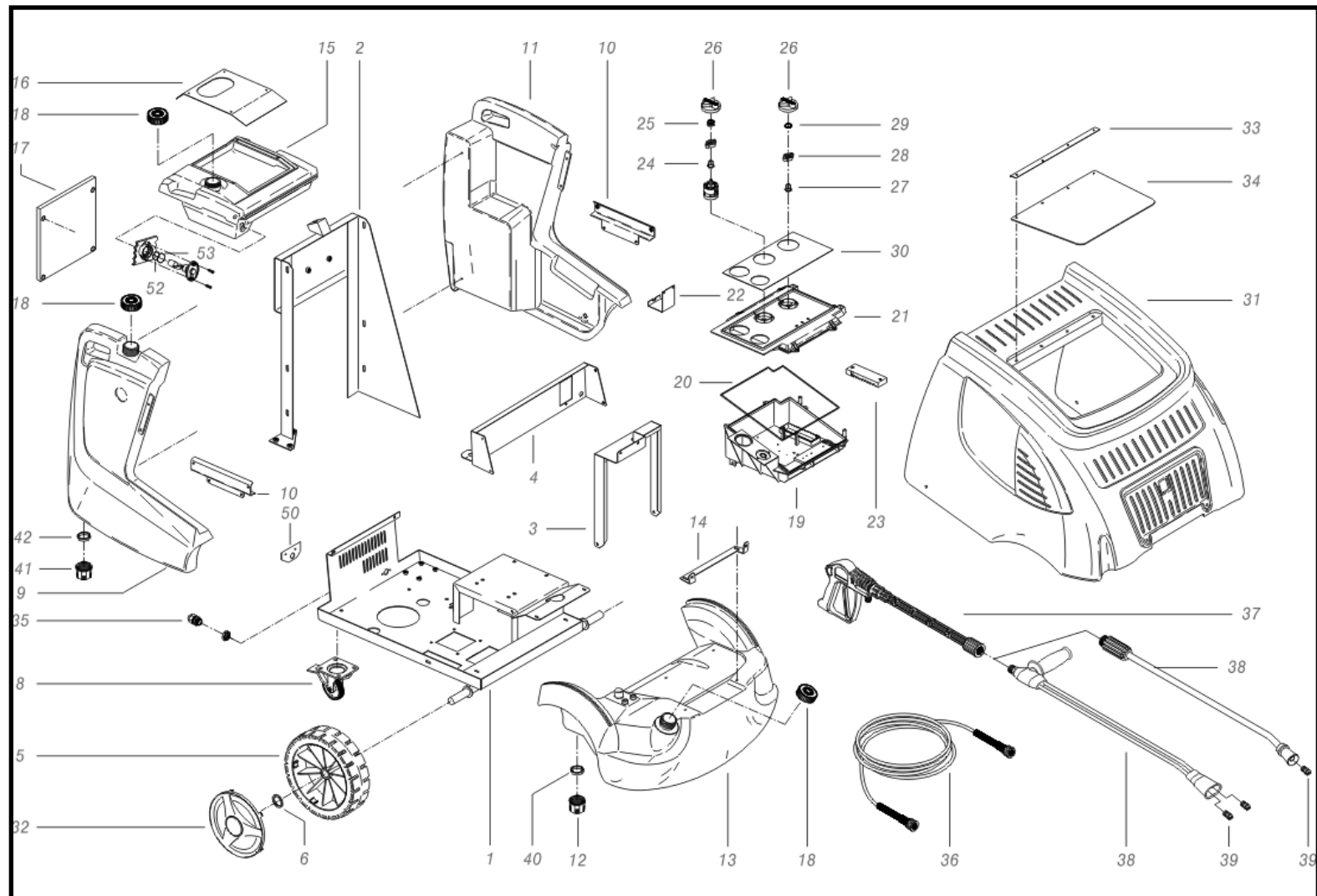


Spare Parts List

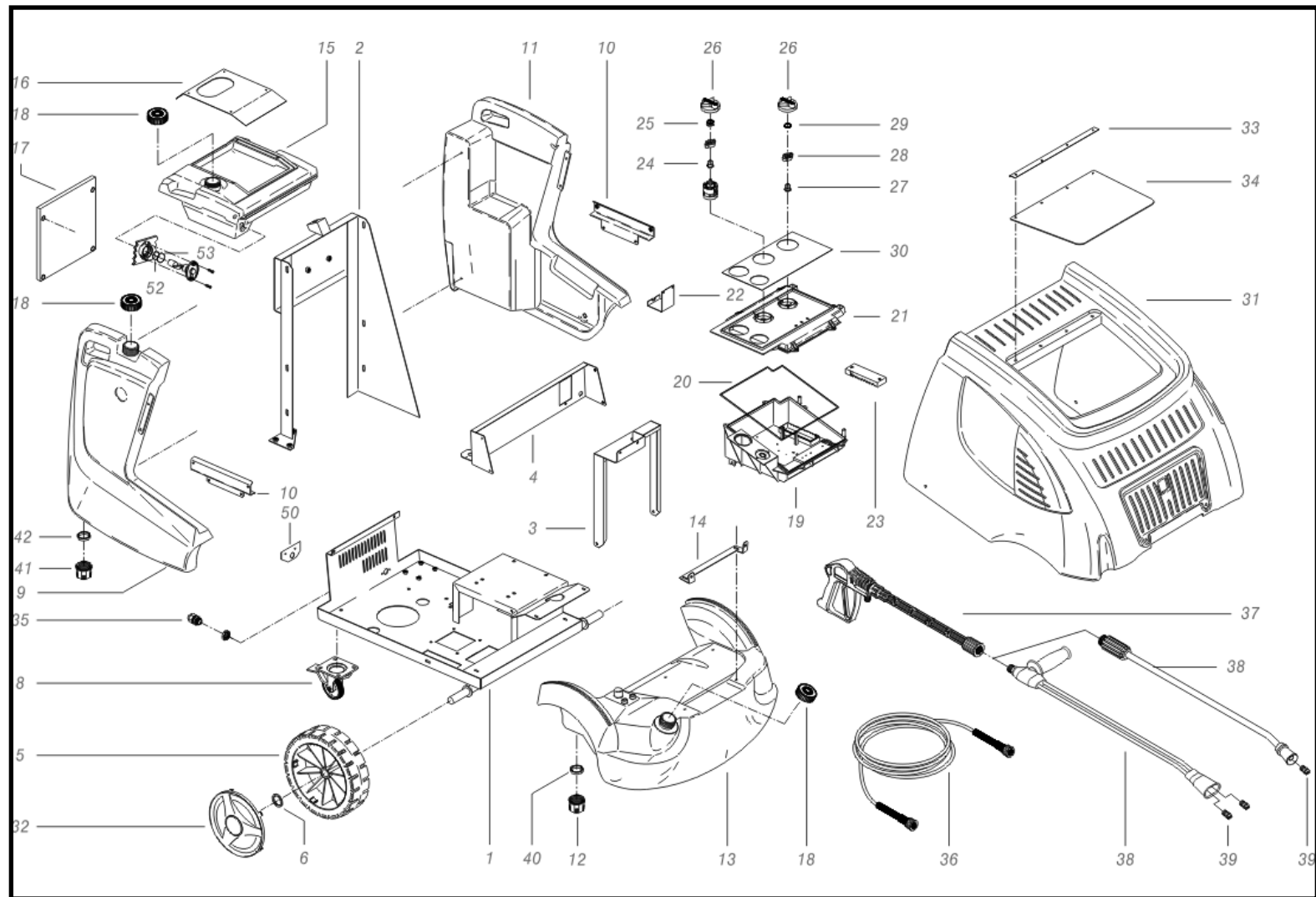
FOMA NORGE AS

Ref: IDAC48412

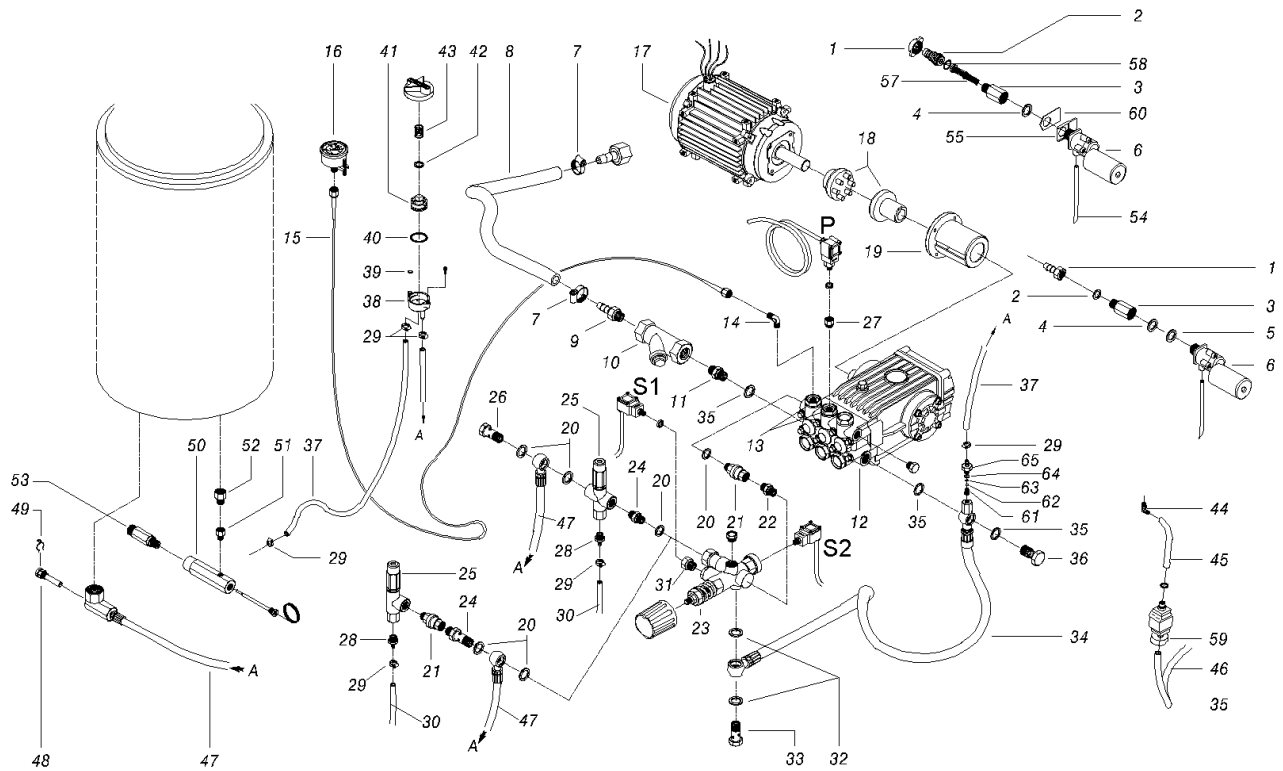
Model: IDROP HPS DS 1521 T 230/50 3-01FOM



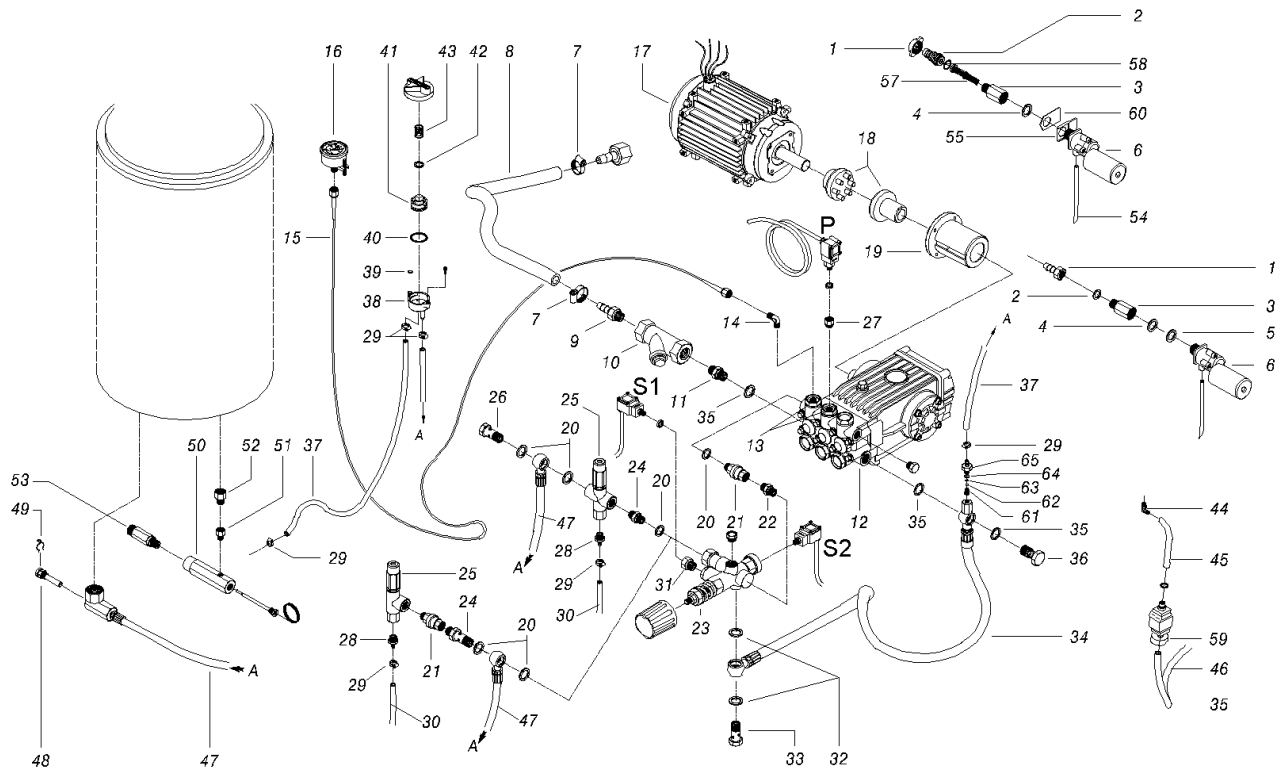
Ref. K	Part N.	Customer Part N.	Description	Qty	Validity: From	To	Price
0001	LAFN44276		CHASSIS P105	1,00			--
0002	LAFN44283		FRAME P105	1,00			--
0003	LAFN44269		SUPPORT P105	1,00			--
0004	LAFN40115		SUPPORT BRACKETP105 2V.	1,00	07/2008	04/2010	--
0004	LAFN44267		SUPPORT BRACKETP105	1,00		07/2008	--
0004	LAFN40115		SUPPORT BRACKETP105 2V.	1,00	04/2010		--
0005	RTRT45383		WHEEL D.305-D.25 RT-IPC	2,00	09/2001		--
0006	VTRS09813		WASHER D.25	2,00			--
0008	RTRT13708		TURNING WHEEL D.125 P. MZ.PLS	1,00			--
0009	MPVR85023		TANK P105 PEHD	1,00		02/2005	--
0009	MPVR88966		TANK P105 C/F.SC. PEHD	1,00	03/2005		--
0010	LAFN45458		BRACKET P105 LAT.	1,00	01/2002		--
0011	MPVR85024		WATER TANK ADM	1,00			--
0012	PVVR11806		DISCHARGE CAP FLL	1,00	01/2006		--
0012	RCDS72851		CAP 1/2"F NYL	1,00		01/2006	--
0013	MPVR40020		FUEL TANK P105-HPS 2V. PEHD	1,00	04/2007		--
0013	MPVR45301		FUEL TANK P105-HPS	1,00		04/2007	--
0014	LAFN45456		BRACKET P105 ANT.	1,00	01/2002		--
0015	MPVR40093		TANK P105 C/BC. PEHD	1,00	06/2008		--
0015	MPVR85026		TANK P105 PEHD	1,00		02/2005	--
0015	MPVR88967		TANK P105 C/F G.1/2 PEHD	1,00	03/2005	05/2008	--
0016	LAFN44264		PANEL P105-HPS INX	1,00			--
0017	MPVR85027		BACK PANEL ADM	1,00			--
0018	MPVR40573		TANK CAP MHDS-SK	1,00			--
0019	MPVR33248		CONTROL BOX MISTRAL PP	1,00	05/2008		--
0020	GUGO11309		JOINT MOUSSE D. 3	1,20	05/2008		--
0021	MPVR40023		BOX COVER MISTRAL C/F.MN.BK	1,00			--
0022	LAFN34423		SUPPORT BRACKETMST.S-P	1,00	05/2008		--
0022	LAFN34423		SUPPORT BRACKETMST.S-P	1,00		04/2008	--
0023	MPVR33250		CABLE CLAMP COVMISTRAL	1,00	05/2008		--
0024	MPVR23482		TAIL PIECE TEC. TUV	1,00	05/2008		--
0025	GUGO23079		V-SEAL RING VA0014 13.5- 15.5	1,00	05/2008		--
0026	MPVR20190		GREY KNOB KSM	3,00		11/2007	--
0026	MPVR46511		GREY KNOB KSM C/F.FIS.	3,00	11/2007		--
0027	MPVR23484		TAIL PIECE THERM.KSM TUV	1,00	05/2008		--
0028	MPVR41903		THICKNESS TERM.IM.PA66	1,00	05/2008		--
0029	GUGO25527		O-RING D. 14 X 3 NBR 70SH	1,00	05/2008		--
0030	ETET40687		LABEL MST PR.II DS PLC	1,00			--
0031	MPVR40071		RED COVER P105 C/TP. PPL	1,00	01/2008		--



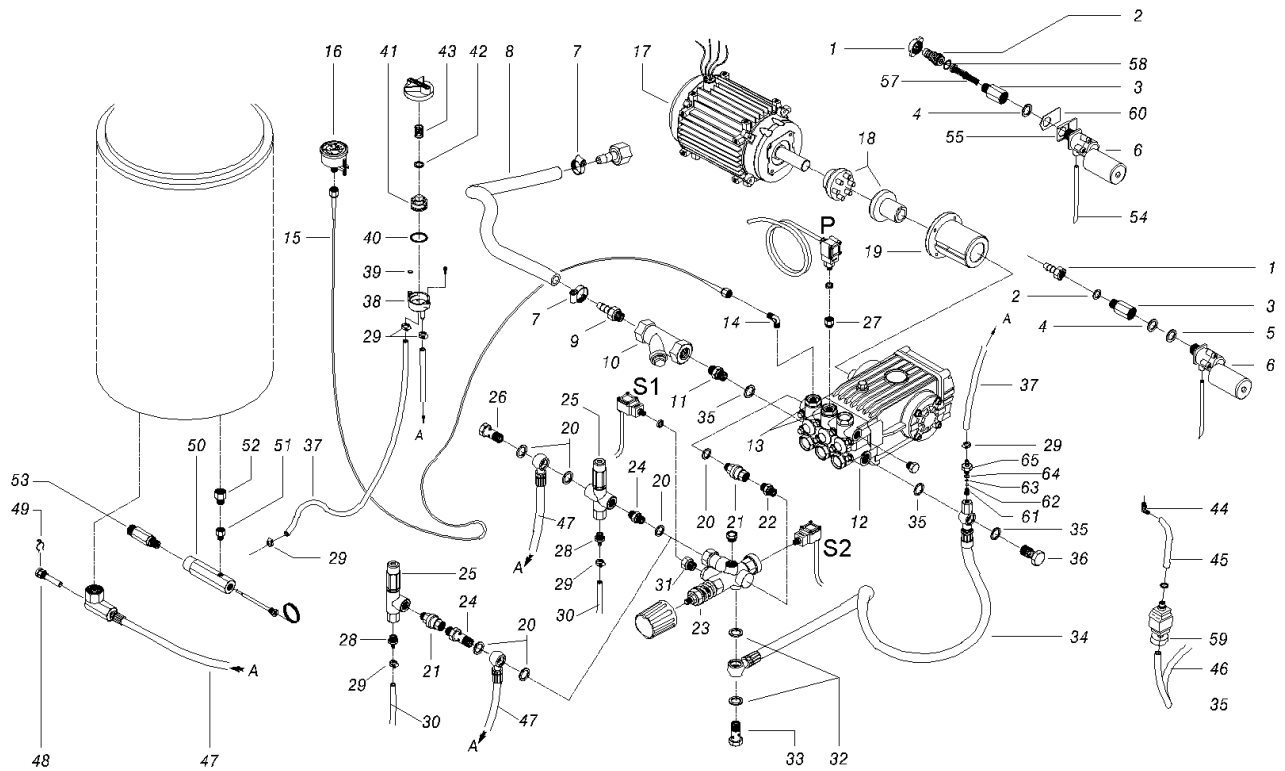
Ref. K	Part N.	Customer Part N.	Description	Qty	Validity:		Price
					From	To	
0031	MPVR44796		RED COVER HPS COMP. ABS	1,00		12/2007	--
0031	MPVR89194		RED THROTTLE P245 PPL	1,00	01/2008		--
0032	MPVR45384		RED WHEEL COVERD. 305 RT-PRT	2,00			--
0033	LAFN45294		HOSE CLIP P105-HPS INX	1,00			--
0034	MPVR44347		PROTECTION P105-HPS PVC	1,00			--
0035	MEVR33994		CABLE FASTNER 4228 B D. 6- 18	1,00			--
0036	TBAP07778		H.P. HOSE R2 MT 15 5/16"	1,00	05/2003	03/2007	--
0036	TBAP16656		H.P. HOSE R2 MT 15 5/16" IRV F-SWIV	1,00			--
0036	TBAP40002		H.P. HOSE R2 MT 15 5/16" C/2 IRV IX	1,00	03/2007		--
0037	IPPR12973		GRIP ST 2000 - P 330 - M22 M V	1,00		03/2007	--
0037	IPPR89429		GRIP G 4500 - P.330 -M22SW.M V	1,00	03/2007		--
0038	LCPR12983		DOUBLE EXTENS. PD 70	1,00			--
0039	UGLN11777		NOZZLE 1/4 25075	2,00		08/2006	--
0039	UGLN49997		NOZZLE LECH 1/4 25075	2,00	09/2006		--
0040	GUGO11489		GASKET D.22X1,5	1,00	01/2006		--
0040	GUGO45302		GASKET D. 20- 35 X 2.5	1,00		01/2006	--
0041	PVVR11806		DISCHARGE CAP FLL	1,00	03/2005		--
0042	GUGO11489		GASKET D.22X1,5	1,00	03/2005		--
0050	LAFN40006		SUPPORT P105 2V. BK	1,00	07/2006		--
0051	MEVR27264		FUSE-HOLDER 031-1081	3,00			--
0052	GUGO01056		O-RING D. 18.72 X 2.62 NBR 70SH	1,00	06/2008		--
0053	GUGO01197		O-RING D. 22.22 X 2.62 NBR 70SH	1,00	06/2008		--
9999	KTRI86962		KIT S 35-12 ROLLER 20 NR HD	1,00			--



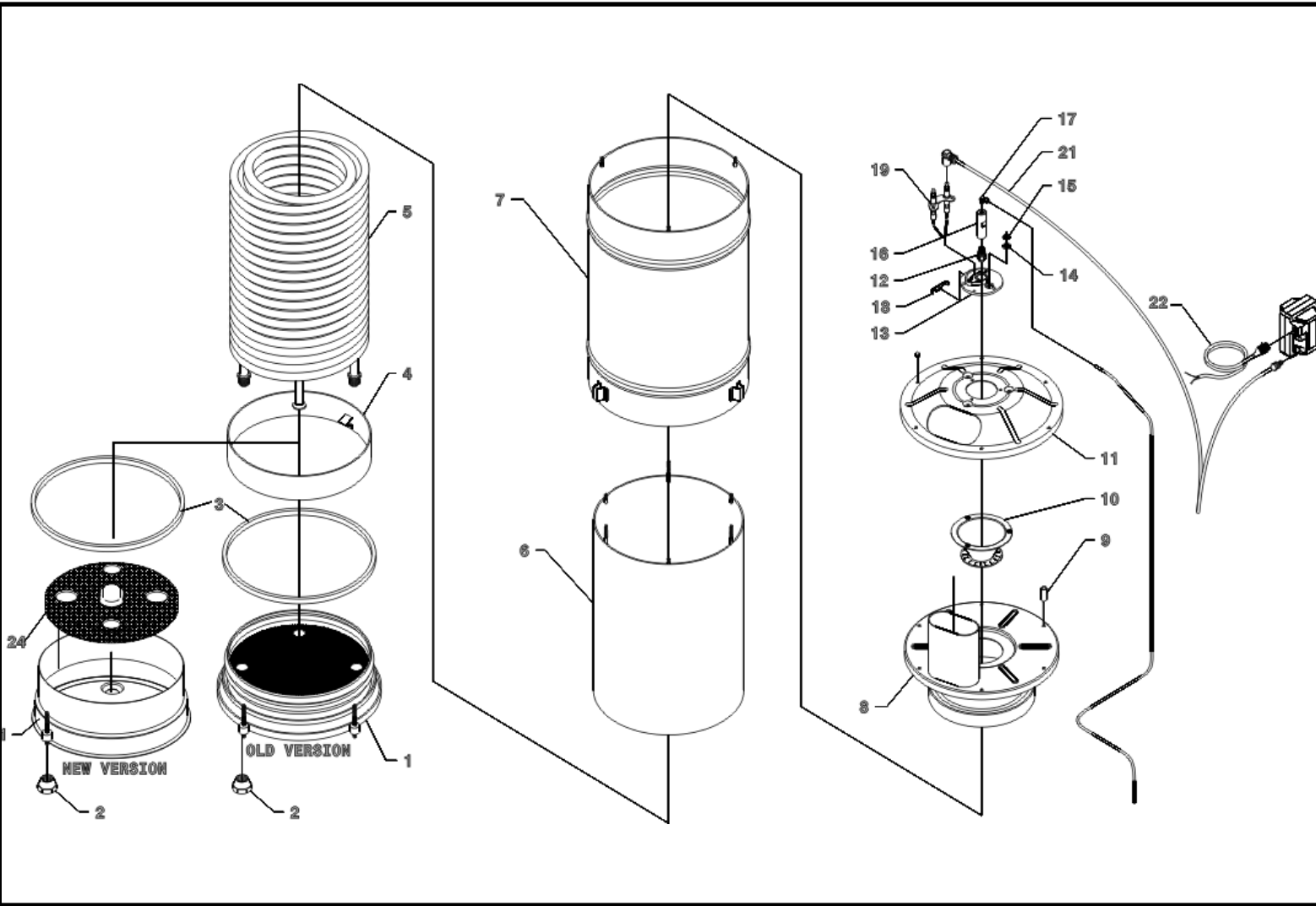
Ref. K	Part N.	Customer Part N.	Description	Qty	Validity:		Price
					From	To	
0001	RCDS09316		CONNECTION G. 3/4	1,00			--
0002	RCDS08965		HOSE FITTING OTT.	1,00			--
0003	RCDS47453		SLEEVE 3/4 M/F PTG. OT	1,00	09/2002	08/2004	--
0003	RCDS88499		SLEEVE 3/4 M/F PTG. L.68 OT	1,00	09/2004		--
0004	GUGO43071		GASKET D. 14- 24 X 4 70SH	1,00			--
0006	RCGR60703		FLOATER MTM 3/4 PP. S/F.	1,00	09/2002		--
0007	FSVR00431		CLAMP D. 16-25	1,00			--
0008	TBBP15656		L.P. HOSE D.16-26 20BAR	0,60			--
0009	RCDS45366		HOSE FITTING 3/4 M D.13-16 OT	1,00	09/2001		--
0010	FTAC33904		FILTER 3/4 F/F 2.VERS.	1,00			--
0011	RCDS00602		NIPPLE 3/4 - 1/2 CN D.13.5	1,00			--
0012	PPAP05103		PUMP WS102 SX LT 21-100 BAR	1,00			--
0013	RCDS09059		CAP M24X2X16 + 1/4F OTT	2,00			--
0014	RCVR12430		ELBOW 1/4" M/M A15	1,00			--
0015	TBAP04437		POLYAMIDE HOSE L=420 1/4-1/4 F-F	1,00		02/2007	--
0015	TBAP40006		POLYAMIDE HOSE L=420 1/4 F-F	1,00	03/2007		--
0016	MNMN07992		PRESSURE GAUGE 0-250 D.50	1,00		11/2003	--
0016	MNMN49621		PRESSURE GAUGE 0-250 D.50 INOX	1,00	11/2003		--
0017	MOTR05780		3PH MOTOR B3-B14 HP 7.5 23/400-50 K	1,00	01/2002	06/2006	--
0017	MOTR40001		3PH MOTOR B3-B14 HP 7,5 23/400-50 C	1,00	02/2007		--
0017	MOTR48314		3PH MOTOR B3-B14 HP 7,5 23/400-50 D	1,00	07/2006	02/2007	--
0017	MOTR76242		3PH MOTOR B3-B14 HP 7,5 23/400-50 N	1,00		01/2002	--
0018	FGGT45222		FLEX. COUPLING IP WW	1,00		10/2004	--
0018	FGGT88466		FLEX. COUPLING P105 HP 7.5 CPL.	1,00	10/2004	02/2007	--
0018	FGGT88467		FLEX. COUPLING P105 HP 9.0 CPL.	1,00	02/2007		--
0019	MFVR15245		FLANGE HP 5.5 W 151 ZF151	1,00		02/2007	--
0019	MFVR89552		FLANGE MOTOR H 112 B14-P237 9HP	1,00	02/2007		--
0020	VTRS12492		WASHER 3/8	2,00			--
0021	RCVR00563		SWIVEL RACCORD 3/8 M/F	1,00			--
0022	RCDS00610		NIPPLE 3/8 - 3/8 SV	1,00	02/2004		--
0023	VVAZ45134		VALVE MV 550 2.G3/8F	1,00	02/2004		--
0024	RCDS12121		NIPPLE 3/8 - 3/8 SV/CN	1,00		02/2004	--
0024	RCDS11778		SCREW G 3/8 + 3/8M	1,00	02/2004		--
0025	VVSC21627		VALVE VS 220 G3/8	1,00	02/2004	06/2010	--
0025	VVSC40005		VALVE MR 401 G3/8	1,00	06/2010		--
0025	VVSC40541		VALVE VS 220 2 G3/8 F	1,00		02/2004	--
0026	RCDS01371		SCREW G 3/8 A.P.	1,00		02/2004	--
0027	RCVR02596		SLEEVE 1/4 M/F A5	1,00		04/2002	--
0027	VTRS40960		WASHER D.13.5X19 X4 AL.	1,00	04/2002		--



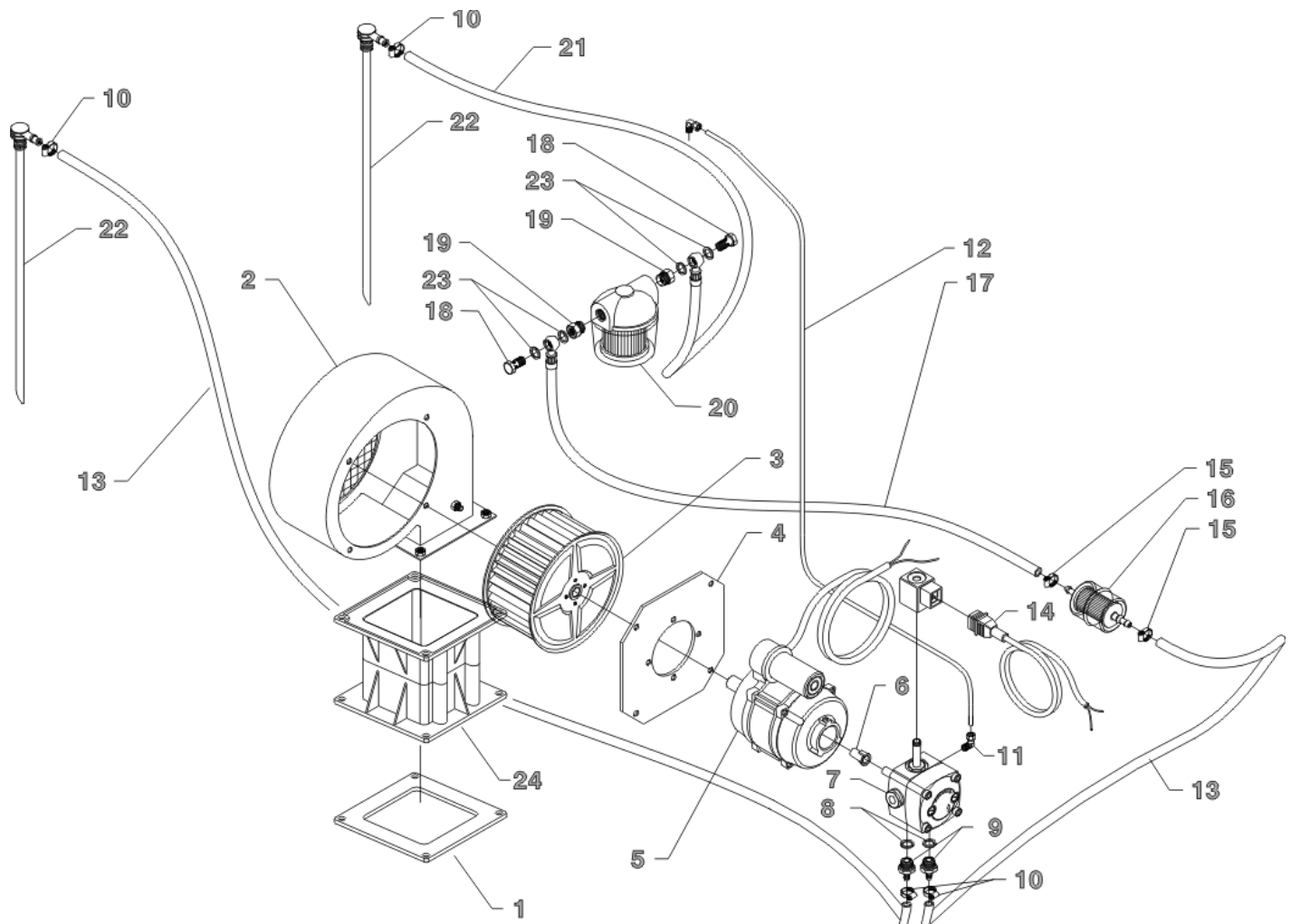
Ref. K	Part N.	Customer Part N.	Description	Qty	Validity: From	To	Price
0028	RCDS03514		HOSE FITTING 3/8 M D. 5- 7	1,00	02/2004		--
0028	RCDS03514		HOSE FITTING 3/8 M D. 5- 7	1,00		02/2004	--
0029	FSVR00427		CLAMP D. 12 CLIC 66-110	1,00			--
0030	TBBP04917		L.P. HOSE D. 6- 9	0,60			--
0031	RCVR00644		REDUCTION 1/4-1/8 M/F	1,00	02/2004		--
0032	VTRS12821		WASHER D.14X18,7X1,25 1/4 GM	2,00			--
0033	RCDS02612		SCREW G 1/4 A.P.	1,00			--
0034	TBBP41686		BY-PASS HOSE L=390 1/2+V.NRT-1/4OC 90°	1,00			--
0035	VTRS12491		WASHER 1/2	2,00			--
0036	RCDS33982		SCREW 1/2 C/SC. L=41.5 D.13.5	1,00			--
0037	TBBP00051		DETERGENT HOSE D. 6-12	0,90			--
0038	RCGR08069		TAP BODY DET. PRT	1,00			--
0039	GUGO08071		O-RING D. 4.48 X 1.78 NBR 70SH	1,00			--
0040	GUGO12183		O-RING D. 23.4 X 3.53 VIT 70SH	1,00			--
0041	RCGR08070		ADJUSTER PRT	1,00			--
0042	VTRS00542		WASHER D.14X20	1,00			--
0043	MLML08068		SPRING D.1,5 L.23	1,00			--
0046	TBBP00058		L.P. HOSE D. 4- 6	0,40	06/2008		--
0046	TBBP00058		L.P. HOSE D. 4- 6	0,50			--
0047	TBAP44709		HOSE-FITTING 3/ 8 R2 L=710 3/8O-1/2PMG	1,00			--
0048	RCDS00593		SUMP IM 0-120 L=50	1,00			--
0049	MLML02623		SPRING IMT	1,00			--
0050	RCDS19322		BLOC BODY 3/8F-M14	1,00			--
0051	VTDD19324		NUT G 1/2	1,00			--
0052	RCDS19326		CONNECTOR M 14	1,00			--
0053	RCDS44542		CONNECTOR M22 M -3/8M L=100 OT.	1,00			--
0054	TBBP17436		L.P. HOSE D.12-14 RILSAN NT.	0,15	09/2002		--
0055	LAFN47452		BRACKET P105 INX	1,00	09/2002	08/2004	--
0055	LAFN88500		BRACKET P105 INT. INX	1,00	09/2004		--
0057	FTAC09717		FILTER D.15X37	1,00			--
0058	GUGO01054		O-RING D. 15.08 X 2.62 NBR 70SH	1,00			--
0059	MPVR44324		SUPPORT NM1-P105 PVC	1,00		10/2002	--
0059	MPVR47772		SUPPORT NME1-P105 PVC	1,00	10/2002	04/2010	--
0060	LAFN88501		BRACKET P105 EST. INX	1,00	09/2004		--
0061	MLML21505		SPRING D. 8 X5 X0.3	1,00			--
0062	SFVR04274		BALL D. 7/32	1,00			--
0063	GUGO01055		O-RING D. 5.28 X 1.78 VIT 70SH	1,00			--
0064	GUGO01036		O-RING D. 10.82 X 1.78 NBR 70SH	1,00			--
0065	RCDS10546		VALVE SEAT 1/4M + PG. D.3-7.5 OTT	1,00			--



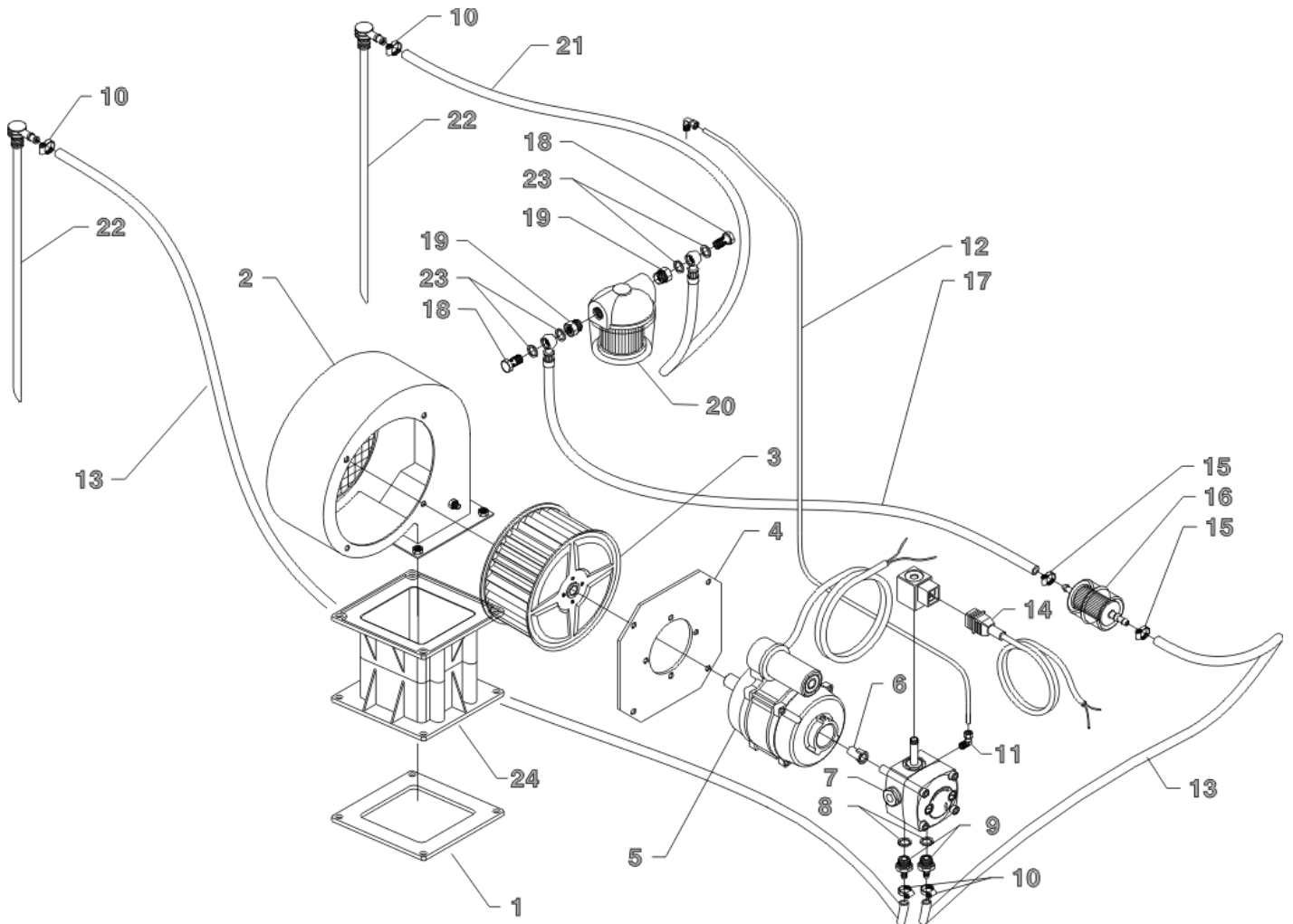
Ref. K	Part N.	Customer Part N.	Description	Qty	Validity:		Price
					From	To	
9999	MFVR88920		FLANGE MOTOR 4P H112 RK -B14/CU.	1,00			--
9999	MORT88919		EL.MOT. ROTOR 5-7.5HP T 4P H112 B14/C K	1,00			--



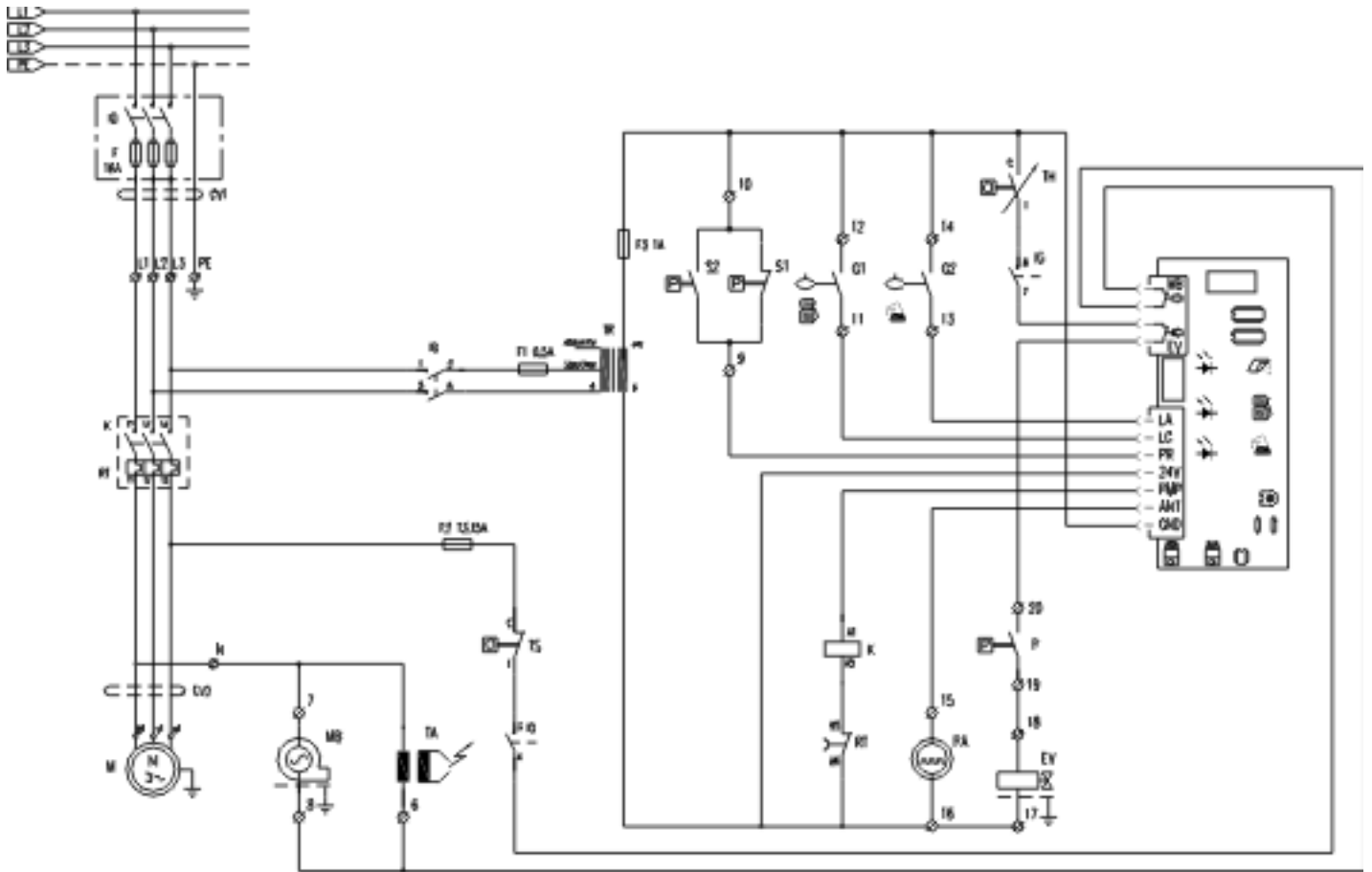
Ref. K	Part N.	Customer Part N.	Description	Qty	Validity:		Price
					From	To	
0001	LAFN12715		BOILER BOTTOM FUT	1,00		03/2008	--
0001	LAFN40038		BOILER BOTTOM FUT. 2V. BK	1,00	03/2008		--
0002	RCDS00561		RING NUT 1/2 OTT	2,00			--
0003	GUVR35205		GASKET D. 7 FIB.	1,02	02/1996		--
0004	LAFN11708		METAL STRIP FUT	1,00		03/2008	--
0005	LAFN06312		DOUBLE COIL 3/8 J.FUT G	1,00			--
0006	LAFN08244		INT. CYLINDER J.FUT INX	1,00		03/2008	--
0006	LAFN40076		INT. CYLINDER J.FUT 2V.INX	1,00	03/2008		--
0007	LAFN08242		EXT. CYLINDER J.FUT INX	1,00			--
0008	LAFN08072		BOILER COVER SIFUT INX	1,00			--
0009	LAFN09096		SPACER 10X28,5	3,00			--
0010	LAFN08042		BAFFLE FUT	1,00			--
0011	LAFN07676		BOILER COVER SEFUT INX	1,00			--
0012	UGBR31344		BURNER NOZZLE 1.75 60 S	1,00			--
0013	MFVR18226		ELECTR.HOLDER FUT 3°V	1,00			--
0014	MPVR18228		OIL WARN-LIGHT D.17 X3	1,00			--
0015	VTAE22633		SEEGER 0.4 X18,30X10,5	1,00			--
0016	RCDS07642		NOZZLE HOLDER FUT	1,00			--
0017	RCVR08954		ELBOW 1/8"-4 B5	1,00			--
0018	LAFN07641		PLATE INX	1,00			--
0019	MECA12525		ELECTRODE FUT	1,00			--
0020	VTDD05907		NUT M 6 CIE.	6,00			--
0021	MECV35334		CABLE A.T. 9,8-23KOHM/M L= 400P	2,00		04/2008	--
0021	MECV35335		CABLE A.T. 9,8-23KOHM/M L= 500P	2,00	05/2008		--
0022	MECB34463		CABLE BT L=800 SP.	1,00	05/2008		--
0024	ITTE48421		BOTTOM FUT C.TE	1,00	03/2008		--



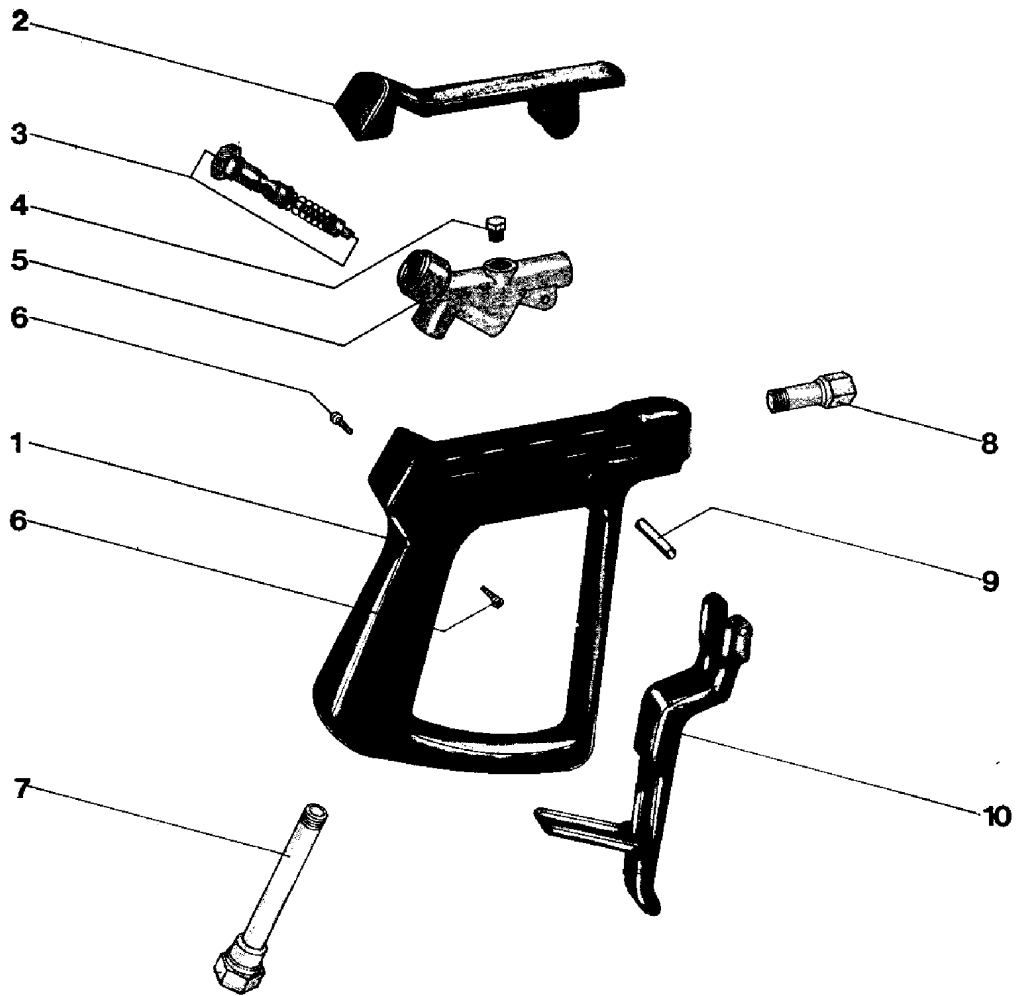
Ref. K	Part N.	Customer Part N.	Description	Qty	Validity:		Price
					From	To	
0001	GUGO11214		GASKET FLL	1,00		05/2007	--
0001	GUGO40003		GASKET CB4	1,00	05/2007		--
0002	LAFN44325		SCROLL CB4 -P105	1,00		05/2007	--
0002	MPVR40010		SCROLL CB4 -2PZ.CP	1,00	05/2007		--
0003	VEVR34275		IMPELLER D.160-80 D.12.7 36P B.SX	1,00			--
0004	LAFN10272		MOTOR PLATE CB 3	1,00			--
0005	MOMB34119		BURNER MOTOR 230-50 IP44 150W A.OR	1,00			--
0006	KTRI36516		KIT P 18- 9	1,00			--
0007	FTCO88927		FUEL FILTER S.AL	1,00	01/2005		--
0007	PPGS27370		FUEL PUMP DLT VM1LR25	1,00		12/2004	--
0007	PPGS40005		FUEL PUMP DNF BFA 01L3R2	1,00	05/2008		--
0007	PPGS88592		FUEL PUMP DLT ALLUM. A1L2	1,00	01/2005	04/2008	--
0008	VTRS04931		WASHER COPPER D.13X19X1.5	2,00			--
0009	RCDS00626		HOSE FITTING 1/4 M.D. 5- 7	2,00			--
0010	FSVR00427		CLAMP D. 12 CLIC 66-110	2,00			--
0011	RCVR08954		ELBOW 1/8"-4 B5	1,00			--
0012	TBCO45038		DIESEL HOSE P105 40MT D. 4	1,00			--
0013	TBCO06945		L.P. HOSE D. 6-12 10BAR C.PRESS	0,20	05/2008		--
0013	TBCO06945		L.P. HOSE D. 6-12 10BAR C.PRESS	0,30	05/2008		--
0013	TBCO06945		L.P. HOSE D. 6-12 10BAR C.PRESS	0,41		04/2008	--
0013	TBCO06945		L.P. HOSE D. 6-12 10BAR C.PRESS	0,50	05/2008		--
0013	TBCO06945		L.P. HOSE D. 6-12 10BAR C.PRESS	0,41		04/2008	--
0014	MECB18118		CABLE DLT L=1.600	1,00	05/2008	10/2010	--
0014	MECB46130		CABLE DLT L=1100	1,00	11/2010		--
0015	FSVR11197		CLAMP D.I. 11 13315	2,00			--
0015	FSVR11197		CLAMP D.I. 11 13315	1,00		04/2008	--
0016	FTCO34840		FUEL FILTER FB 7/A NYL.	1,00	05/2008	04/2010	--
0016	FTCO40003		FUEL FILTER FB 7/TA 60mc NYL.	1,00	04/2010		--
0016	FTCO34840		FUEL FILTER FB 7/A NYL.	1,00		04/2008	--
0017	TBBP34456		L.P. HOSE L= 180 1/4OC.-LIB.	1,00		04/2008	--
0018	RCDS02612		SCREW G 1/4 A.P.	2,00		04/2008	--
0019	RCVR02607		REDUCTION 3/8-1/4 M/F	2,00		02/2002	--
0020	FTCO30578		FUEL FILTER 3/8 0.1-SP	1,00		04/2008	--
0021	TBBP44517		L.P. HOSE L= 750 1/4OC.-LIB. 6X12	1,00		04/2008	--
0022	RCDS20136		SUCTION L= 355 C.	2,00		01/2002	--
0022	RCVR02607		REDUCTION 3/8-1/4 M/F	1,00	02/2002	04/2008	--
0022	RCVR38072		REDUCTION 3/8-1/4 M/F A4/Z SKD.F	1,00	02/2002	04/2008	--
0022	RCDS46247		SUCTION L=210 CPL	2,00	03/2007		--
0023	VTRS12821		WASHER D.14X18,7X1,25 1/4 GM	4,00		04/2008	--



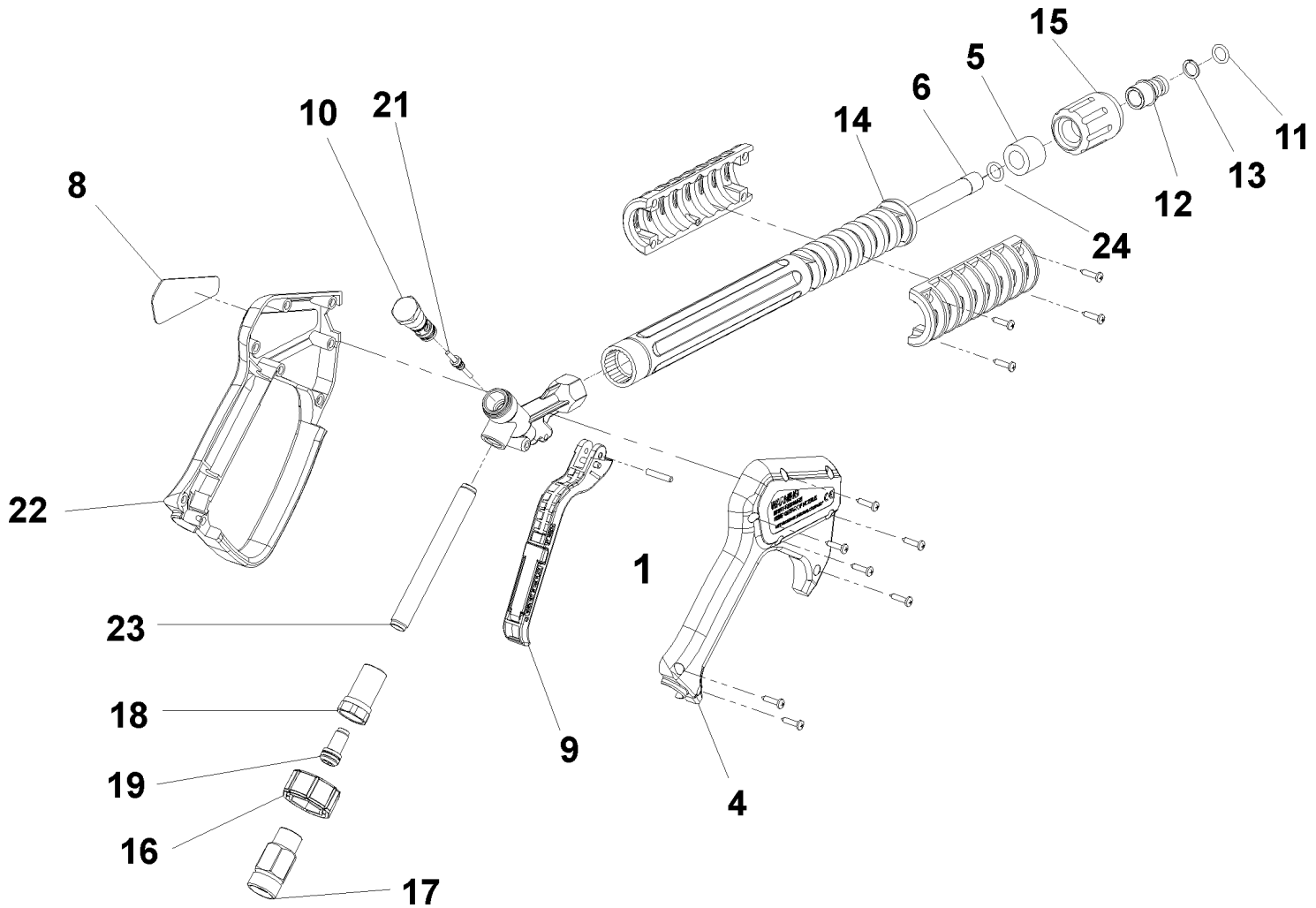
Ref. K	Part N.	Customer Part N.	Description	Qty	Validity:		Price
					From	To	
0024	MPVR40012		CONVEYOR CB4-P105 2PZ.CP.	1,00	05/2007		--



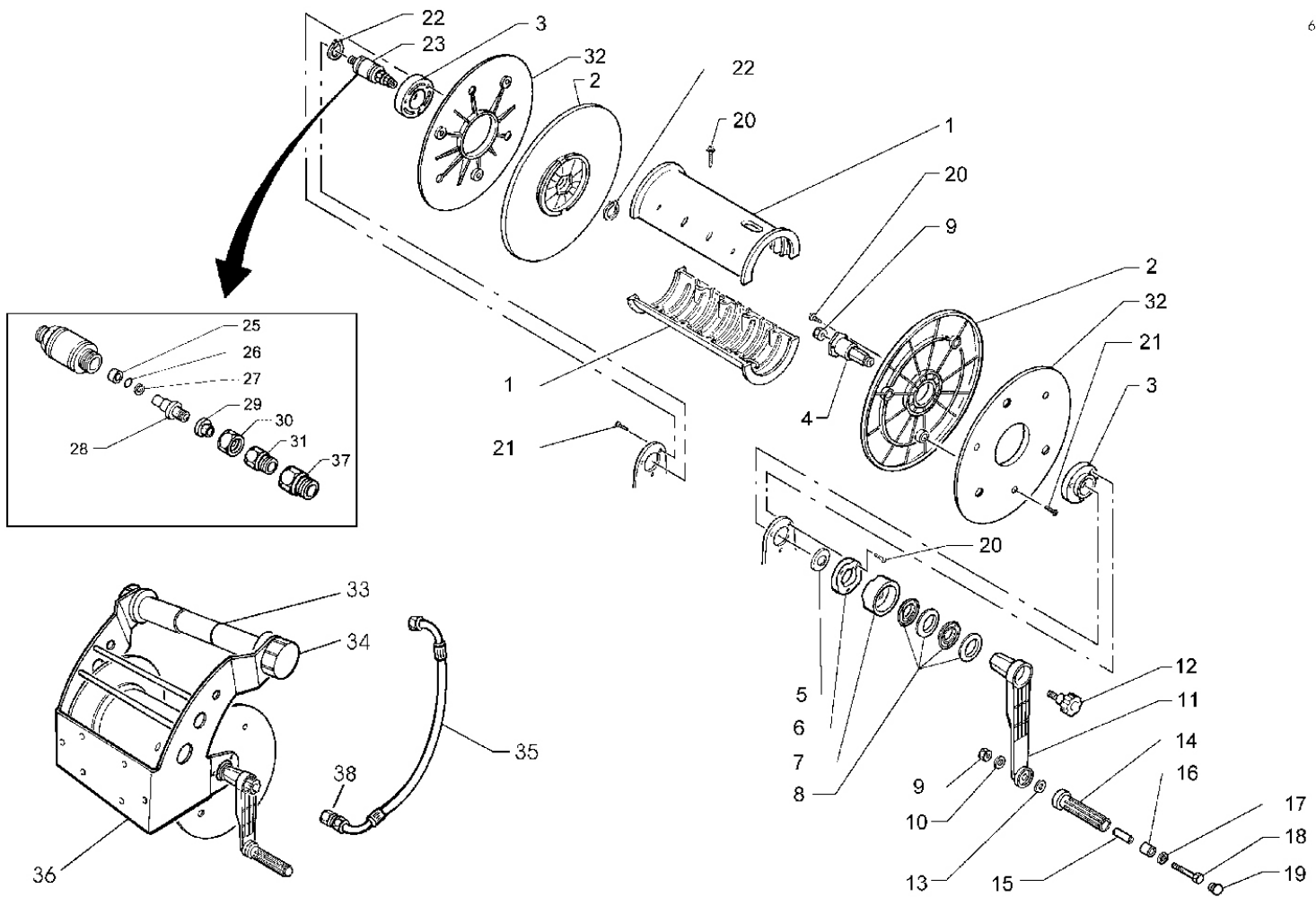
Ref.	K	Part N.	Customer Part N.	Description	Qty	Validity:		Price
						From	To	
K		METT41888		CONTACT SIE N.A. 3RH19 21-1EA11	1,00	05/2008	01/2010	--
K		METT45024		CONTACTOR SIE 3RT 1026 1AC20 24V	1,00	05/2008		--
P		MEPF39902		PRESSURE SWITCHMTM 1/4M NA/NC 25B. MICRO	1,00	05/2008		--
T		METY33753		TIMER 3 S. MST 24V	1,00		09/2005	--
EC		MECE40004		PCB P245 T-ST/MP/L.2V.S30'+3"	1,00	02/2010		--
EC		MECE45448		PCB P105 T-ST/MP/LIV. STOP30'	1,00		09/2005	--
EC		MECE89083		PCB P105 T-ST/MP/LIV. S30'+3"	1,00	05/2008	01/2010	--
EV		MEBE22173		COIL DLT 24-50	1,00		12/2004	--
EV		MEBE43704		COIL DNF 24-50	1,00	05/2008		--
EV		MEBE48504		COIL DLT 24-50 NF84	1,00	01/2005	04/2008	--
F1		MEVR09010		FUSE 5X20 0,5A	1,00	05/2008		--
F2		MEVR00237		FUSE 5X20 3,15A	1,00	05/2008		--
F3		MEVR02824		FUSE 5X20 1A	1,00	05/2008		--
G1		MECI34444		SWITCH REED N.C.H185 L=1300	1,00		04/2007	--
G1		MECI40001		SWITCH REED N.A.H215 FST+OR	1,00	04/2007	01/2008	--
G1		MECI40005		SWITCH REED N.C.H215 FST+OR	1,00	01/2008		--
G2		MECI40006		SENSOR LEVEL S1.PML.XD.FPJ FST.	1,00	06/2008		--
G2		MECI46804		SENSOR LEVEL S1.PML.M16 +KIT GU/DA-FST	1,00	10/2002	02/2005	--
G2		MECI49945		SENSOR LEVEL S1.PML.15NO-FST +G.1/2	1,00	03/2005	05/2008	--
IG		MECI40017		COMMUTAT.SWITCH0-1-2 UN.	1,00	01/2011		--
IG		MECI40544		COMMUTAT.SWITCH0-1-2 HD12H022-R000	1,00	05/2008	01/2011	--
LC		MECE34831		FILTER LC F.AH.DA.3100ZF 6.5A	1,00		04/2008	--
PA		MEPD45940		DESCALING PUMP NME 1 24V 50/60HZ	1,00	10/2002		--
RT		METT45033		THERMAL RELAY SIE 3RU1126-4DB0 20-25 A	1,00	05/2008		--
S1		MEPF39741		PRESSURE SWITCHMTM 1/8M NA/NC 25B. MICRO	1,00	05/2008		--
S2		MEPF45229		PRESSURE SWITCHMTM 3/8M NA/NC 25B. MICRO	1,00	05/2008		--
TA		METR34464		TRANSFORMER 230V-50HZ 2X4000V SP4 CM	1,00		04/2008	--
TA		METR88630		TRANSFORMER 23/240V-5/60HZ 2X26KV TR.	1,00	05/2008		--
TH		METK19354		THERMOSTAT 0-150° L=1500	1,00	05/2008	12/2010	--
TH		METK40006		THERMOSTAT 0-150° L=1500 S&R	1,00	12/2010		--
TR		METR11977		TRANSFORMER 35VA 230-400/24 50/60HZ	1,00		02/2008	--
TR		METR40003		TRANSFORMER 35VA 230-400/24 5/60HZ PM	1,00	05/2008		--
TS		METK34839		THERMOSTAT 50°C TR/711-N C.1.5	1,00	05/2008		--
CV1		MECB17414		CABLE H07 RNF 4X2.5 L=6.500	1,00	05/2008		--



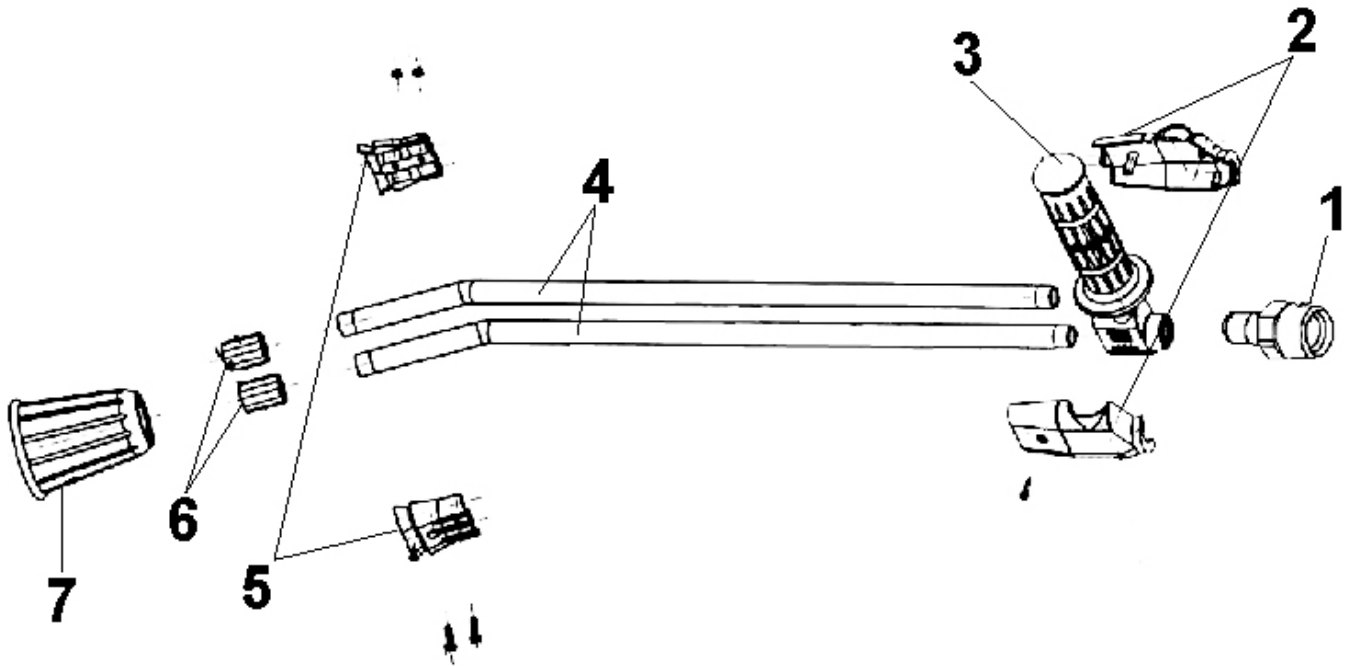
Ref. K	Part N.	Customer Part N.	Description	Qty	Validity:		Price
					From	To	
0001	PVVR08141		BODY ST 2000	1,00			--
0002	PVVR08142		COVER ST 2000	1,00			--
0003	KTRI10689		KIT P 26- 1	1,00			--
0004	RCDS08145		CAP G 1/8" OT	1,00			--
0005	PVVR08146		BRASS HOUSING ST 2000	1,00			--
0006	VTVT28553		SCREW TCB-TC 3.5X16	2,00			--
0007	PVVR29763		TUBE G 1/4" +RCC 3/8"	1,00			--
0008	PVVR08147		CONNECTOR 1/4 ST 2000	1,00			--
0009	PVVR08149		PIN ST 2000	1,00			--
0010	PVVR08143		TRIGGER	1,00			--



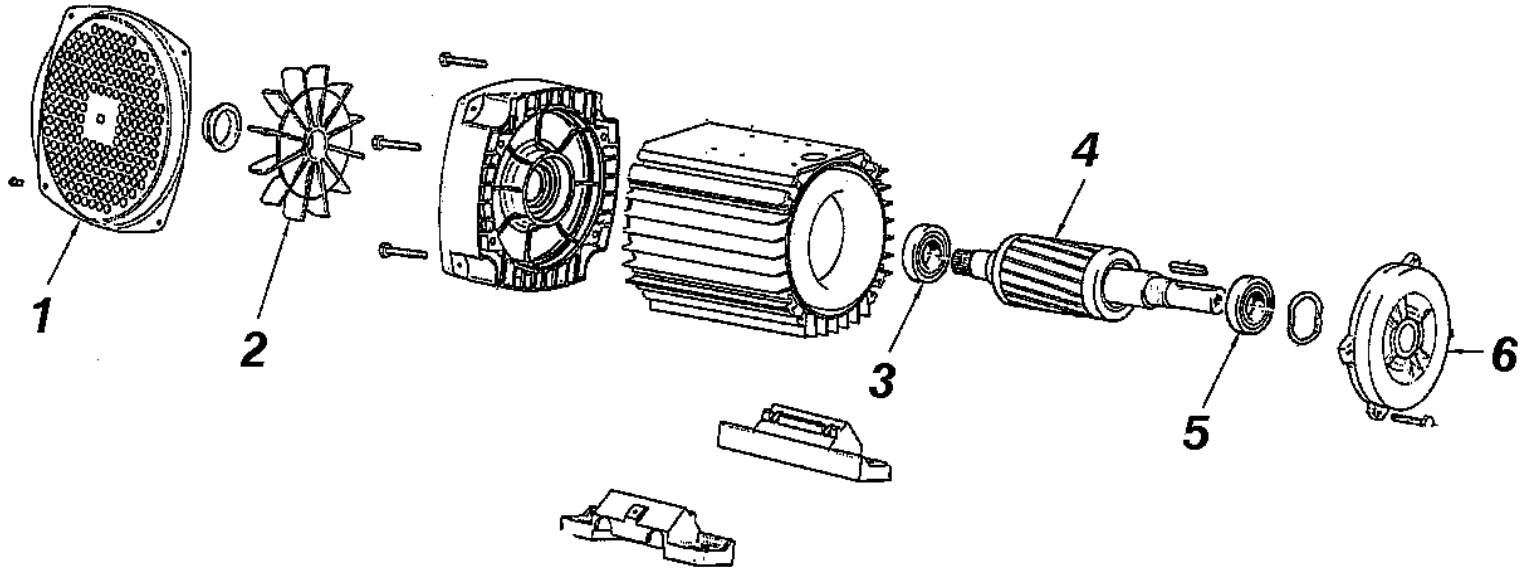
Ref.	K	Part N.	Customer Part N.	Description	Qty	Validity:		Price
						From	To	
0001		VTVR46568		PLUG G 4500	1,00			--
0004		MPVR40157		COVER G 4500 2V.	1,00	05/2008		--
0004		MPVR46563		COVER G 4500	1,00		04/2008	--
0005		MPVR46572		SPACER P 330 ST	1,00			--
0006		LCPR40007		TUBE 1/4 L=352 ZC. 2V.	1,00	05/2008		--
0006		LCPR46571		TUBE 1/4 L=352 ZC.	1,00		04/2008	--
0008		MPVR46569		PLATE G 4500 RD.	1,00			--
0009		MPVR40057		TRIGGER G 4500 -SW	1,00			--
0010		PVVR40030		SMALL PISTON TM ST-2300	1,00			--
0011		GUGO10384		O-RING D. 10 X 2.2 VIT 80SH	1,00			--
0012		RCVR13030		GUDGEON G 1/4 F L=31.5	1,00			--
0013		GUVR10526		ANTI-EXTR.RING D.13.9X10.2 C.BZ	1,00			--
0014		MPVR46570		PROTECTION P 330 ST	1,00			--
0015		PVVR13445		CONNECTION M 22X1,5 L=45	1,00			--
0016		MPVR40058		RING NUT G4500 SW.	1,00			--
0017		RCIN40001		JOINT SWIV 4500 3/8"F	1,00		04/2008	--
0017		RCIN40005		JOINT SWIV 4500 3/8"F 2V.	1,00	05/2008		--
0018		RCIN31641		CONNECTOR SWIV 1500 F	1,00			--
0019		KTRI31645		KIT P 26- 14	1,00			--
0021		PVVR40031		ROD ST-2300	1,00			--
0022		MPVR40156		SHELL G 4500 2V.	1,00	05/2008		--
0022		MPVR46562		SHELL G 4500	1,00		04/2008	--
0023		PVVR40023		TUBE G 1/4" M/M P/SW.	1,00			--
0024		GUGO27021		O-RING D. 11 X 2.5 EPD 70SH	1,00	05/2008		--



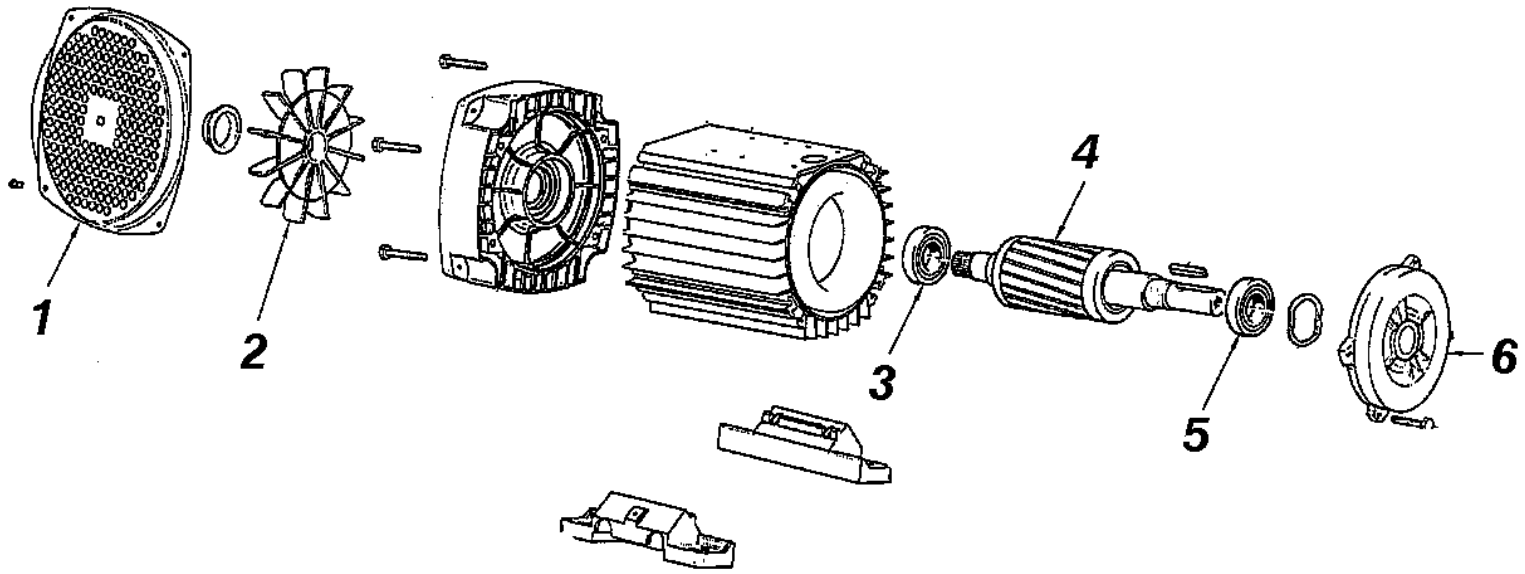
Ref.	K	Part N.	Customer Part N.	Description	Qty	Validity: From	To	Price
0001		MPVR40078		HALF BEARING ROLLER 20 P/IN.M22	2,00	05/2008		--
0002		MPVR74140		DISC ROLLER 20/40	2,00			--
0003		MPVR77565		RING ROLLER 20/40	2,00			--
0004		FGGT74143		JOINT ROLLER 20/40	1,00			--
0005		MPVR77567		RING ROLLER	1,00			--
0006		MPVR77568		RING ROLLER	1,00			--
0007		MPVR77569		RING ROLLER	1,00			--
0008		KTRI76783		KIT P ROLLER 20-40	1,00			--
0009		VTDD00483		NUT M 8 ZIN UNI 5588	1,00	03/2004		--
0009		VTDD10776		NUT M 8 X1 UNI 5588	2,00		09/2003	--
0011		MPVR74142		LEVER ROLLER 20/40	1,00			--
0012		VTVR74163		HANDWHEEL VAL-PA M 8 X 30	1,00			--
0013		VTRS00505		WASHER D.10 TE UNI 6592	1,00			--
0014		MPVR74792		KNOB	1,00			--
0015		RCVR74200		SLEEVE ROLLER 20/40	1,00			--
0016		MPVR77566		BUSHING ROLLER 20/40	1,00			--
0017		VTRS00504		WASHER D. 8 TE ZC. UNI 6592	1,00			--
0019		MPVR37542		RUBBER D.E.25 -L.27 70-80SH	1,00			--
0020		VTVT85143		SCREW AF 4X 16 UNI 6954-71 ZN.N	12,00			--
0021		VTVT01520		SCREW AB 4,2X 9,5 UNI 6954-71	9,00			--
0022		VTAE31890		CIRCLIP D. 35 UNI 7435	2,00			--
0023		RCIN75339		SWIVEL RACCORD ROLLER	1,00			--
0025		LAFN74740		BUSHING	1,00			--
0026		GUGO38710		O-RING D. 9.3 X 2.4 VIT 70SH	1,00			--
0027		GUVR72923		ANTI-EXTR.RING 13,9X 10,2	1,00			--
0028		LAFN74737		PIN	1,00			--
0029		RCVR74739		SPACER	1,00			--
0030		RCDS74738		RING NUT M22x1	1,00			--
0031		RCIN74742		COUPLING G 3/8M	1,00			--
0032		MPVR74150		DISC ROLLER 20/40 RD.	2,00			--
0033		MPVR74138		GRIP SHARK	1,00			--
0034		MPVR40573		TANK CAP MHDS-SK	2,00			--
0035		TBAP75441		HOSE-FITTING 3/ 8 L=665 R2 3/8F 90°	1,00			--
0036		LAFN85235		HOSE WIND.SUPP.ADMIRAL	1,00			--
0037		RCIN03753		MALE COUPLING M22-3/8 M-FA	1,00	10/2007		--
0038		RCIN03755		FEMALE COUPLIN.3/8MB	1,00	10/2007		--



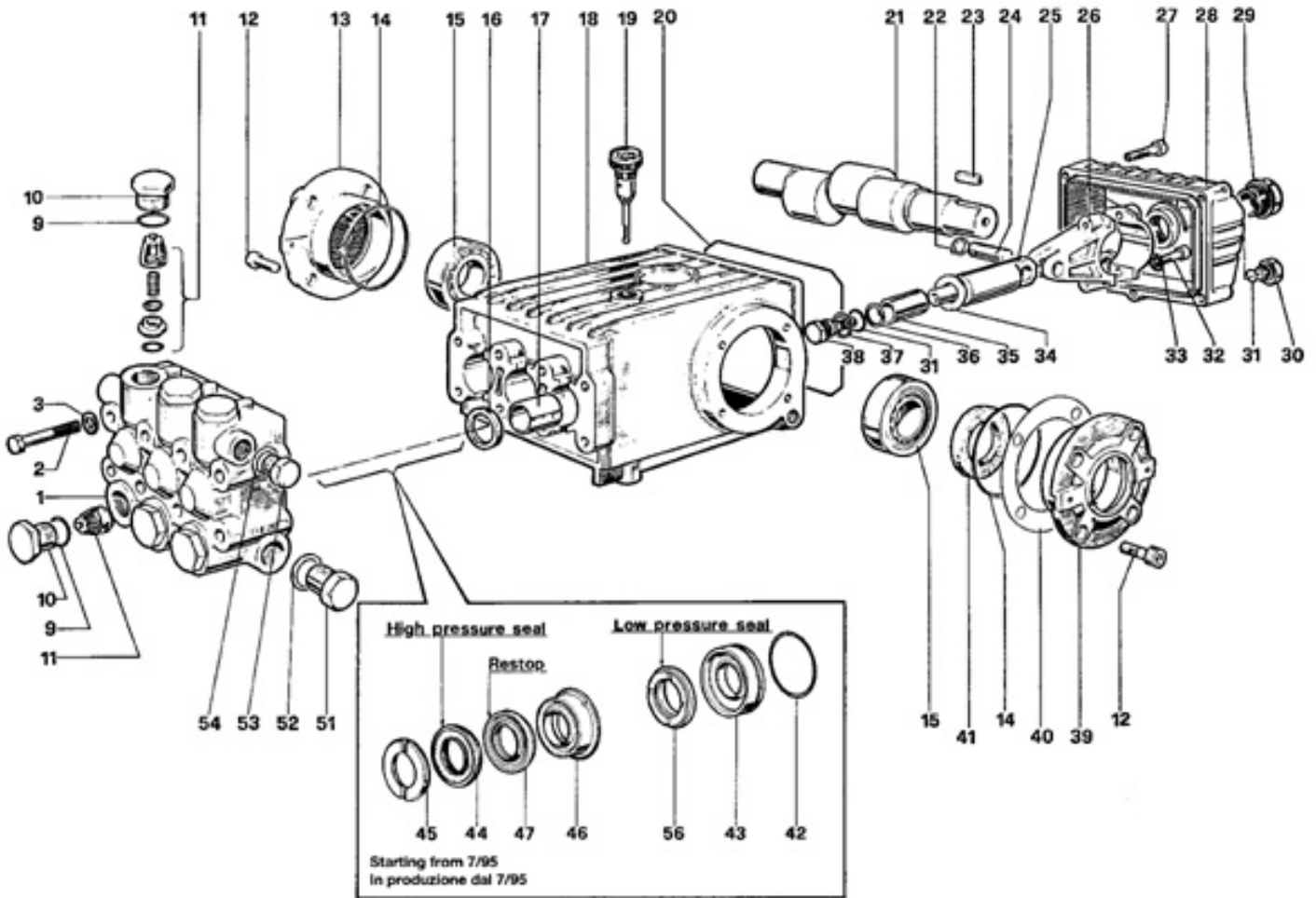
Ref. K	Part N.	Customer Part N.	Description	Qty	Validity:		Price
					From	To	
0001	PVVR45296		COUPLING G 1/4M -M22 M +PR.PLS	1,00			--
0002	MPVR45214		PROTECTION TB.1/4 MTM	1,00			--
0003	RCGR45737		TAP 1/8 F LD MTM	1,00			--
0004	LCPR45740		TUBE 1/8 L=660 INOX MTM	2,00			--
0005	MPVR45001		SHELL LD MTM	1,00			--
0006	RCVR45741		NOZZLE HOLDER 1/4-1/8 F MTM	2,00			--
0007	PVVR43810		PROTECTION L.D. MTM	1,00			--



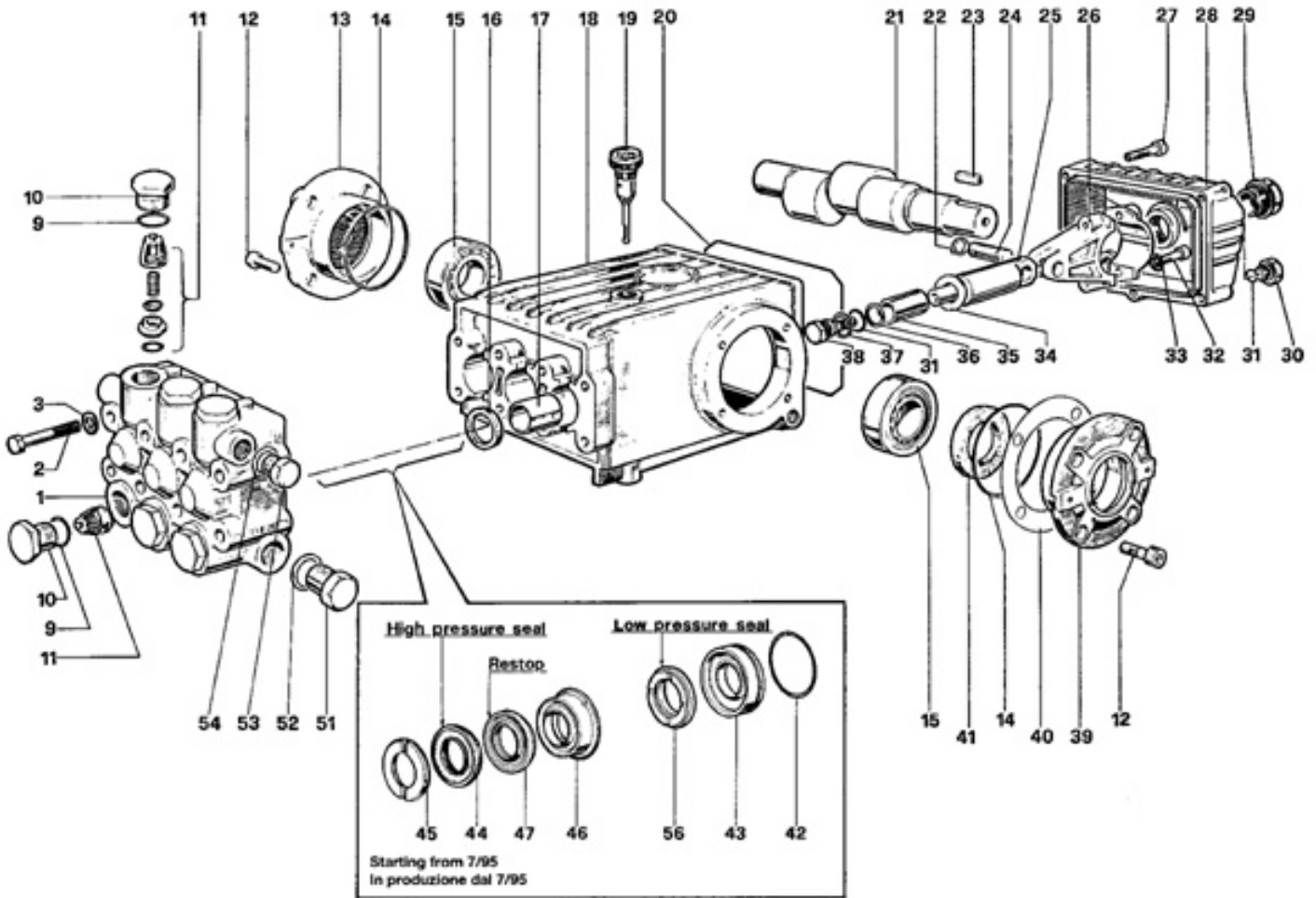
Ref. K	Part N.	Customer Part N.	Description	Qty	Validity:		Price
					From	To	
0001	LAFN40007		PROTECTION ED H.112 EST. LM.BK	1,00			--
0002	VEVR48370		MOTOR FAN H 112 EST. ELD	1,00			--
0003	CUVR40002		BALL BEARING 6306 2Z	1,00			--
0004	MORT40006		EL.MOT. ROTOR 7.5HP T 4P H112 B14 ES RC	1,00			--
0005	CUVR40002		BALL BEARING 6306 2Z	1,00			--
0006	MFVR40000		FLANGE MOTOR H 112 B14 5-7.5HP EST ED	1,00			--



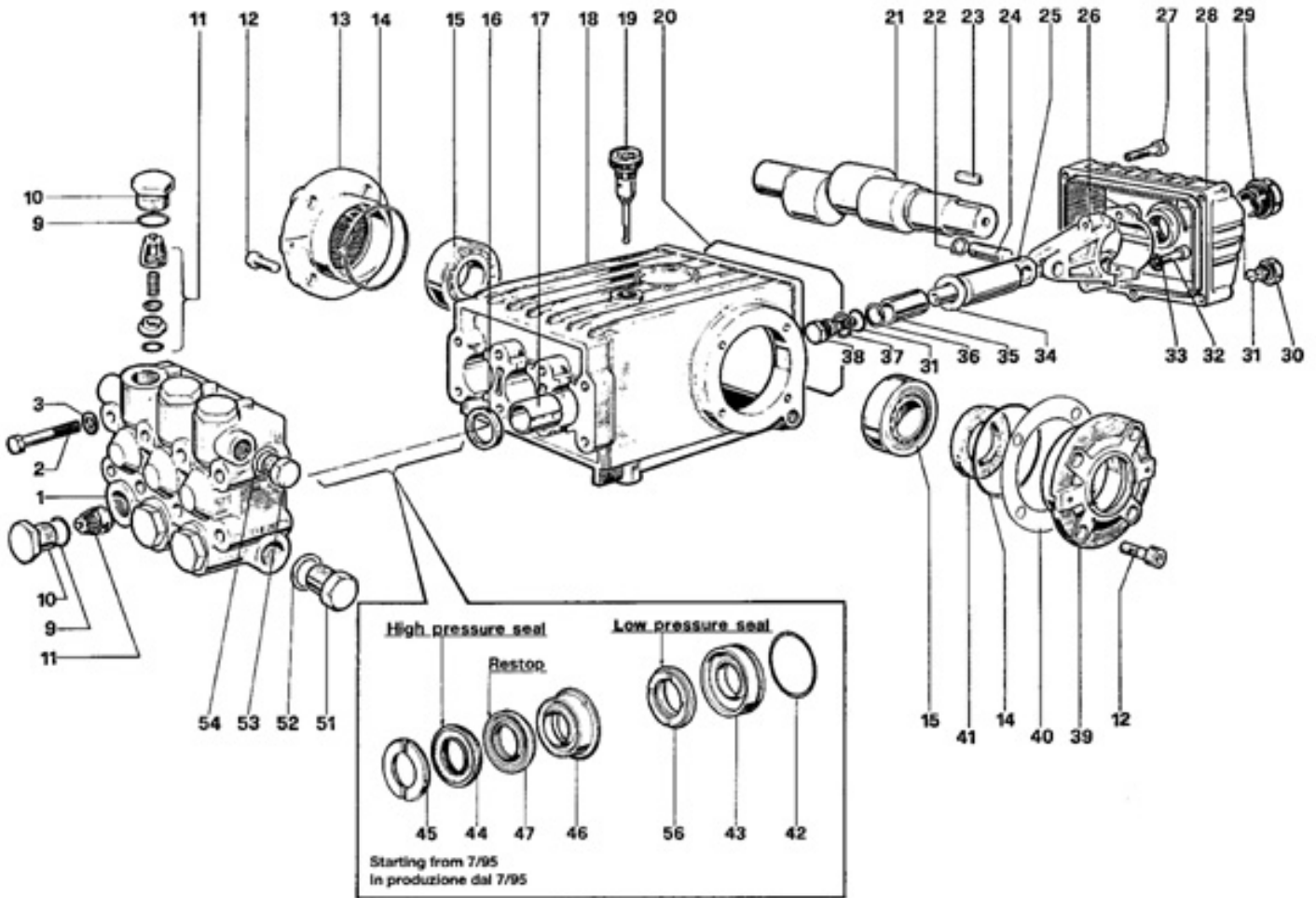
Ref. K	Part N.	Customer Part N.	Description	Qty	Validity:		Price
					From	To	
0001	LAFN40007		PROTECTION ED H.112 EST. LM.BK	1,00			--
0002	VEVR48370		MOTOR FAN H 112 EST. ELD	1,00			--
0003	CUVR40002		BALL BEARING 6306 2Z	1,00			--
0004	MORT40003		EL.MOT. ROTOR 7.5HP T 4P H112 B14 ES ED	1,00			--
0005	CUVR40002		BALL BEARING 6306 2Z	1,00			--
0006	MFVR40000		FLANGE MOTOR H 112 B14 5-7.5HP EST ED	1,00			--



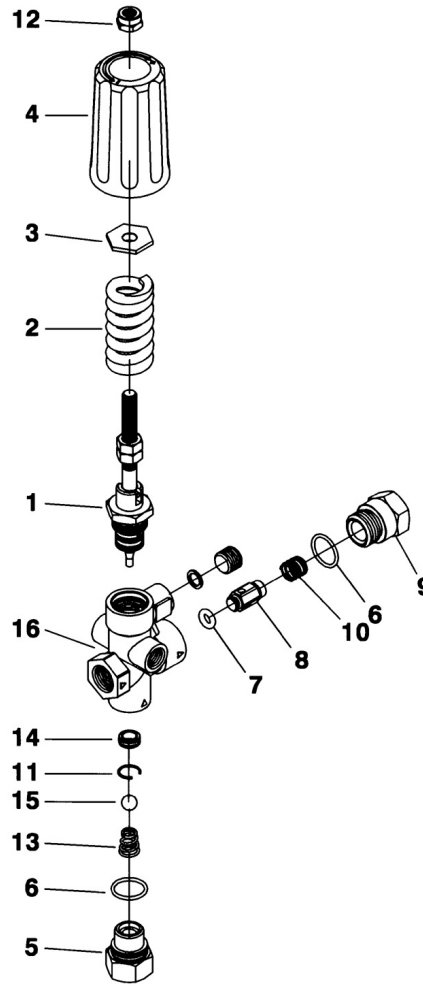
Ref.	K	Part N.	Customer Part N.	Description	Qty	Validity:		Price
						From	To	
0001		MFVR01097		HEAD W 151	1,00			--
0002		VTVT01111		SCREW TE M 8X70 UNI 5737	8,00			--
0003		VTRS01072		WASHER D. 8 TC	8,00			--
0009	S	GUGO01033		O-RING D. 20.24 X 2.62 NBR 90SH	6,00			--
0010	S	RCDS01087		CAP M24X2X16 OTT	6,00			--
0011	S	VVAM01104		VALVE UNIT W 70-151	6,00			--
0012		VTVT01118		SCREW TCEI M 8X16 ZC. UNI 5931	8,00			--
0013		MFVR03576		CRANKASE COVER W151	1,00			--
0014		GUGO01041		O-RING D. 67.95 X 2.62 NBR 70SH	2,00			--
0015		CUVR09205		ROLLER BEARING 32206 A	2,00			--
0016	S	GUGO01000		OIL SEAL 22X 32X 5.5 NBR70	3,00			--
0017		PVVR01011		BUSHING W 151	3,00			--
0018		MFVR01013		PUMP CRANKCASE W 151	1,00			--
0019		PVVR01092		OIL DIPSTICK W 151	1,00			--
0020		GUGO34590		O-RING D. 133.02 X 2.62 NBR 70SH	1,00			--
0021		ALMO06514		SHAFT WS202	1,00			--
0022		VTAE14016		CIRCLIP D. 12 UNI 7435	6,00			--
0023		VTVR01031		KEY 8X7X25 UNI6604	1,00			--
0024		PVVR01085		GUDGEON D.13X35 W151	3,00			--
0025		PVVR01029		PISTON GUIDE W 151	3,00			--
0026		BLVR01009		CONNECTING ROD W 151	3,00			--
0027		VTVT01116		SCREW TCEI 6X30 UNI5931	5,00			--
0028		MFVR03582		CRANKASE COVER W 151 POS	1,00			--
0029		PVVR01083		OIL INDICATOR G 3/4 W70-151	1,00			--
0030		RCDS01088		CAP 1/4X 9 M WW90	1,00			--
0031	S	GUGO01036		O-RING D. 10.82 X 1.78 NBR 70SH	4,00			--
0032		VTVT01120		SCREW TCEI 8X35 UNI5931	6,00			--
0033		VTRS14242		WASHER D. 8.4X13X0.8 UNI7064 SCH	6,00			--
0034	S	VTRS01753		WASHER D.14X28 X0,5	3,00			--
0035		PIVR01066		PISTON D.20X50 W 151	3,00			--
0036	S	GUVR00994		ANTI-EXTR.RING W151	3,00			--
0037	S	VTRS01076		WASHER D.14X18,5X0,5	3,00			--
0038	S	PVVR01107		PISTON BOLT IP W151	3,00			--
0039		MFVR03583		CRANKASE COVER W151	1,00			--
0040		PVVR01016		THICKNESS 0,1 W 151	2,00			--
0041	S	GUGO01003		OIL SEAL 30X 55X 7 NBR70	1,00			--
0042	S	GUGO01042		O-RING D. 34.6 X 1.78 NBR 70SH	3,00			--
0043	S	PVVR00977		PACKING RETAIN.W151	3,00			--
0044	S	GUVR00981		PACKING W151	3,00			--



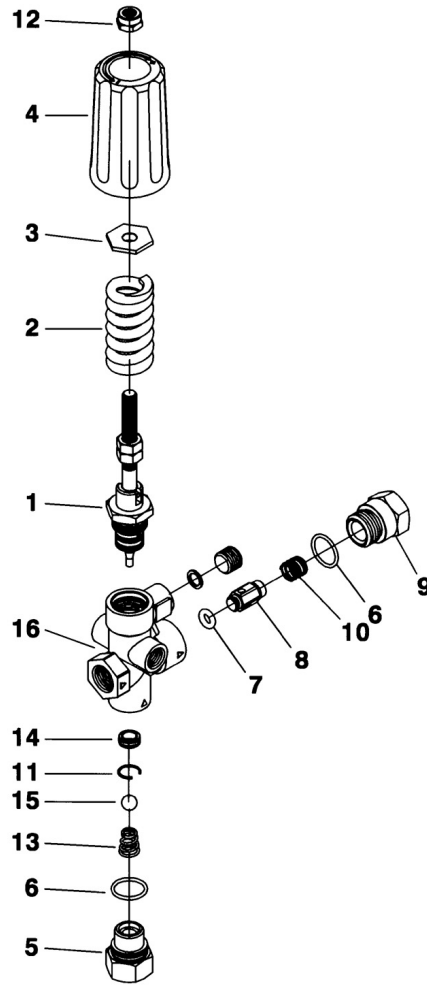
Ref.	K	Part N.	Customer Part N.	Description	Qty	Validity:		Price
						From	To	
0045	S	PVVR00985		HEAD RING W151	3,00			--
0046	S	PVVR34589		INTERMED. RING W 151 D. 20	3,00			--
0047	S	GUVR34587		PACKING D. 20 RESTOP	3,00			--
0051		RCDS01091		CAP 1/2X10 M	1,00			--
0052		VTRS01075		WASHER D.21,5X27 ALL	1,00			--
0053		RCDS01090		CAP 3/8X13 M WW90	1,00			--
0054		VTRS01074		WASHER D.17,05X22,3 X1,5	1,00			--
0056	S	GUVR34585		PACKING W 151 L.P.	3,00			--



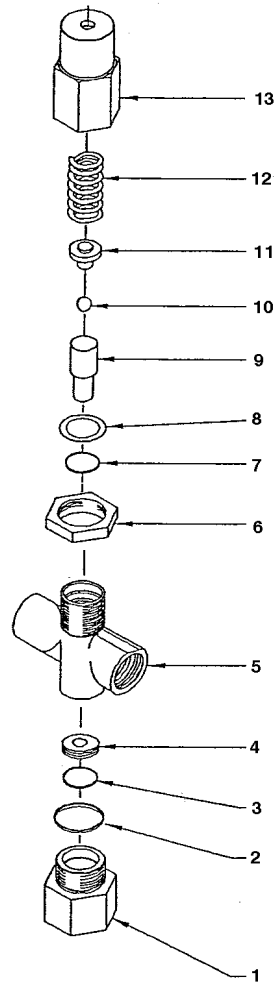
Ref. Part N.	Cust. Part N.	Description	Reference	Price
KTRI14900	KIT P	15- 3	0041	--
KTRI14901	KIT P	10	0042 0043	--
KTRI17793	KIT P	6	0031 0034 0036 0037 0038	--
KTRI17795	KIT P	4	0009 0010	--
KTRI17859	KIT P	1	0011	--
KTRI17860	KIT P	2	0016	--
KTRI18574	KIT P	7	0045	--
KTRI18579	KIT P	28	0042 0043 0044 0045 0046 0047 0056	--



Ref. K	Part N.	Customer Part N.	Description	Qty	Validity:		Price
					From	To	
0001	PVVR46049		CONNECTOR MV 550 CP.	1,00			--
0002	MLML46050		SPRING 250 BAR	1,00			--
0003	PVVR46051		CAP MV 550	1,00			--
0004	PVVR60860		KNOB MV 550	1,00			--
0005	PVVR46052		CONNECTOR MV 550	1,00			--
0006	S GUGO01058		O-RING D. 17.17 X 1.78 NBR 70SH	2,00			--
0007	S GUGO46053		O-RING D. 6 X 3 NBR 90SH	1,00			--
0008	S PVVR46054		PIN MV 550	1,00			--
0009	PVVR46055		CONNECTOR MV 550	1,00			--
0010	S MLML46056		SPRING D. 6 X11.5X0.8	1,00			--
0011	S PVVR46057		CIRCLIP MV 550	1,00			--
0012	VTDD00492		NUT M 8 ZINC	1,00			--
0013	S MLML46058		SPRING D. 6.5-11.8	1,00			--
0014	S PVVR46059		BALL SEAT D.7 MV 550 + OR	1,00			--
0015	S SFVR06779		BALL INOX 11/32	1,00			--
0016	PVVR46060		VALVE BODY MV 550	1,00			--



Ref. Part N.	Cust. Part N.	Description	Reference	Price
KTRI46064		KIT P 14- 54	0006 0007 0010 0013 0015	--
KTRI46065		KIT P 14- 55	0011 0014	--



Ref. K	Part N.	Customer Part N.	Description	Qty	Validity:		Price
					From	To	
0001	RCVR61105		CONNECTOR VS 220	1,00			--
0002	GUGO03505		O-RING D. 15.6 X 1.78 NBR 70SH	1,00			--
0003	GUGO10800		O-RING D. 10 X 1 NBR 70SH	1,00			--
0004	PVVR61091		VALVE SEAT 4,5X12X4 MM	1,00			--
0005	PVVR61073		VALVE BODY VS 220	1,00			--
0006	VTDD33553		LOCKNUT M 24	1,00			--
0007	GUGO63424		O-RING D. 7.66	1,00			--
0008	GUVR11936		ANTI-EXTR.RING D. 8 X11 PA	1,00			--
0009	PVVR33551		PISTON PA	1,00			--
0010	SFVR61110		BALL VS 220	1,00			--
0011	PVVR61099		SUPPORT VS 220	1,00			--
0012	MLML61052		SPRING 170 B. VS 220	1,00			--
0013	PVVR61080		SLEEVE VS 220	1,00			--