



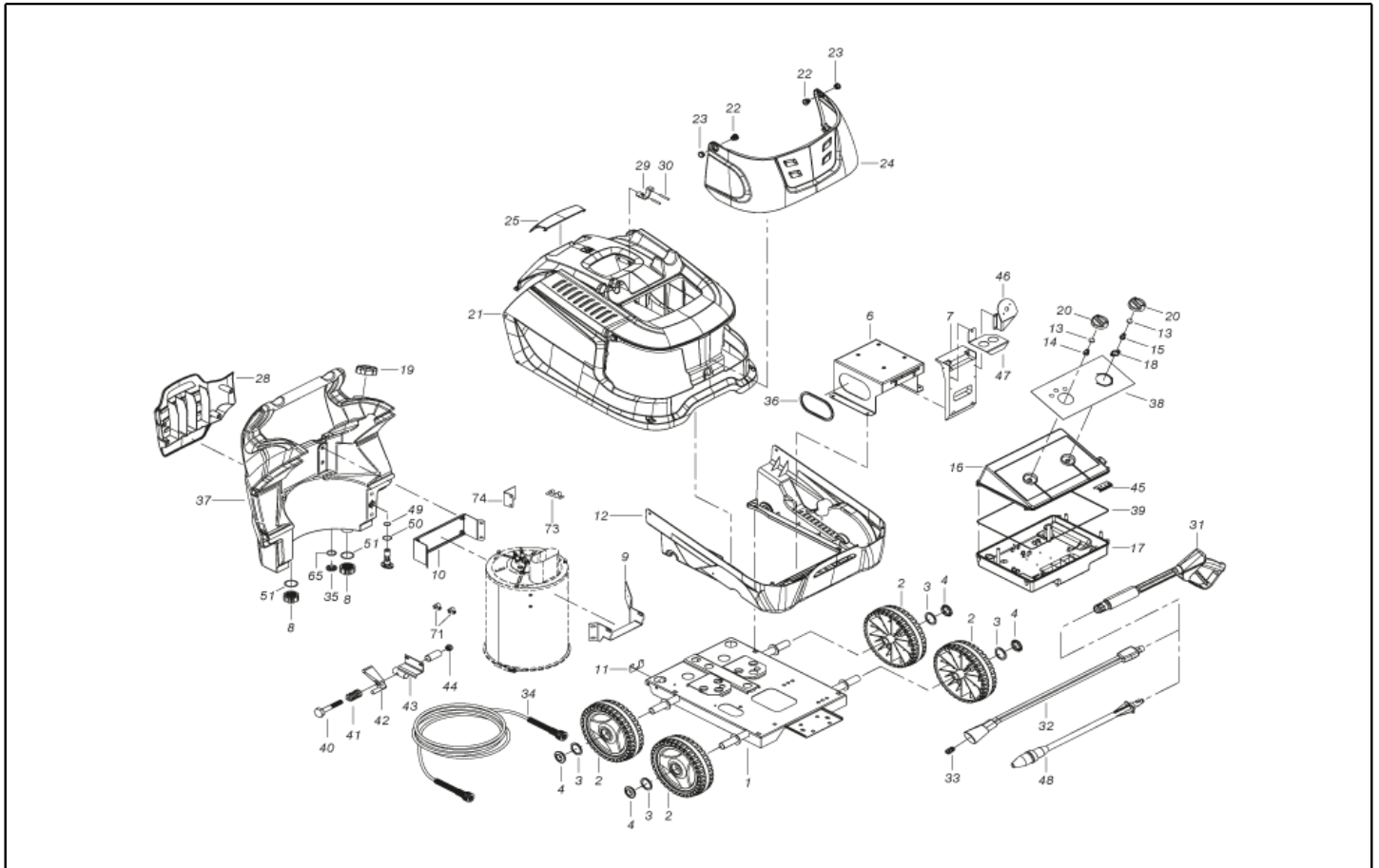
**IPC**

**Spare parts list**

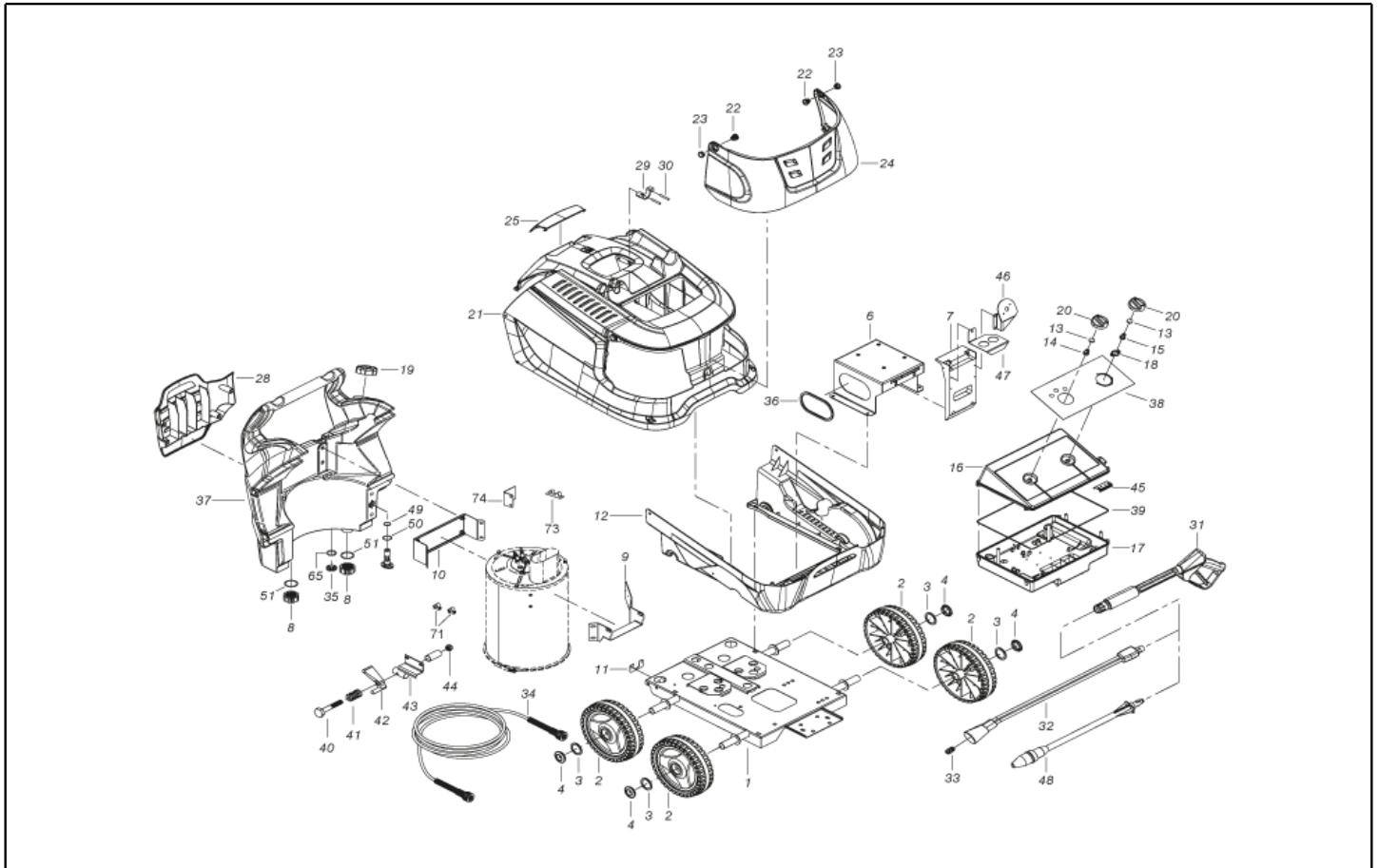
Ref: IDAC41508

Cust.ref: 146706

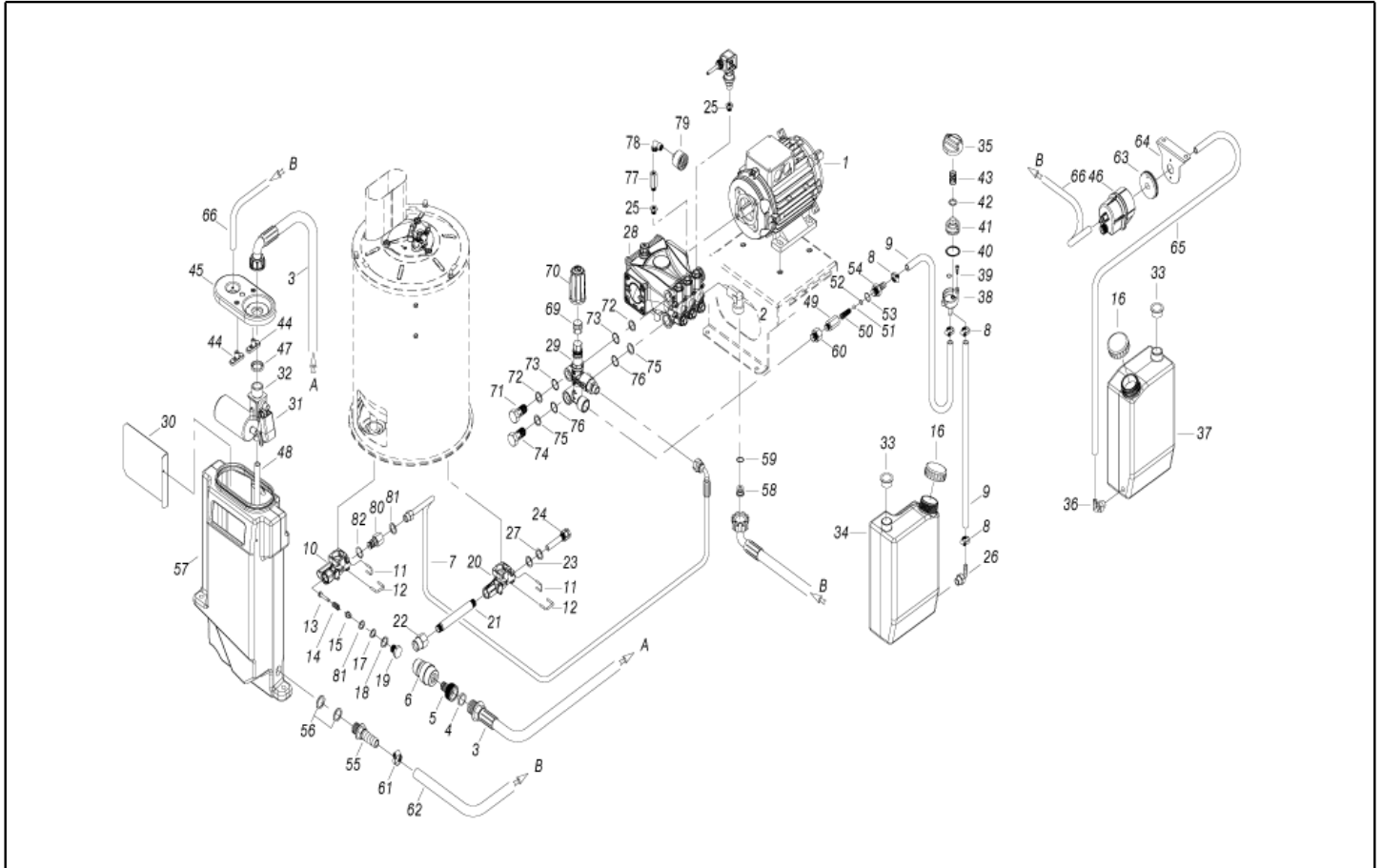
Model: H.P. CLEANER PW-H41/4 D1813PmT400/50IN



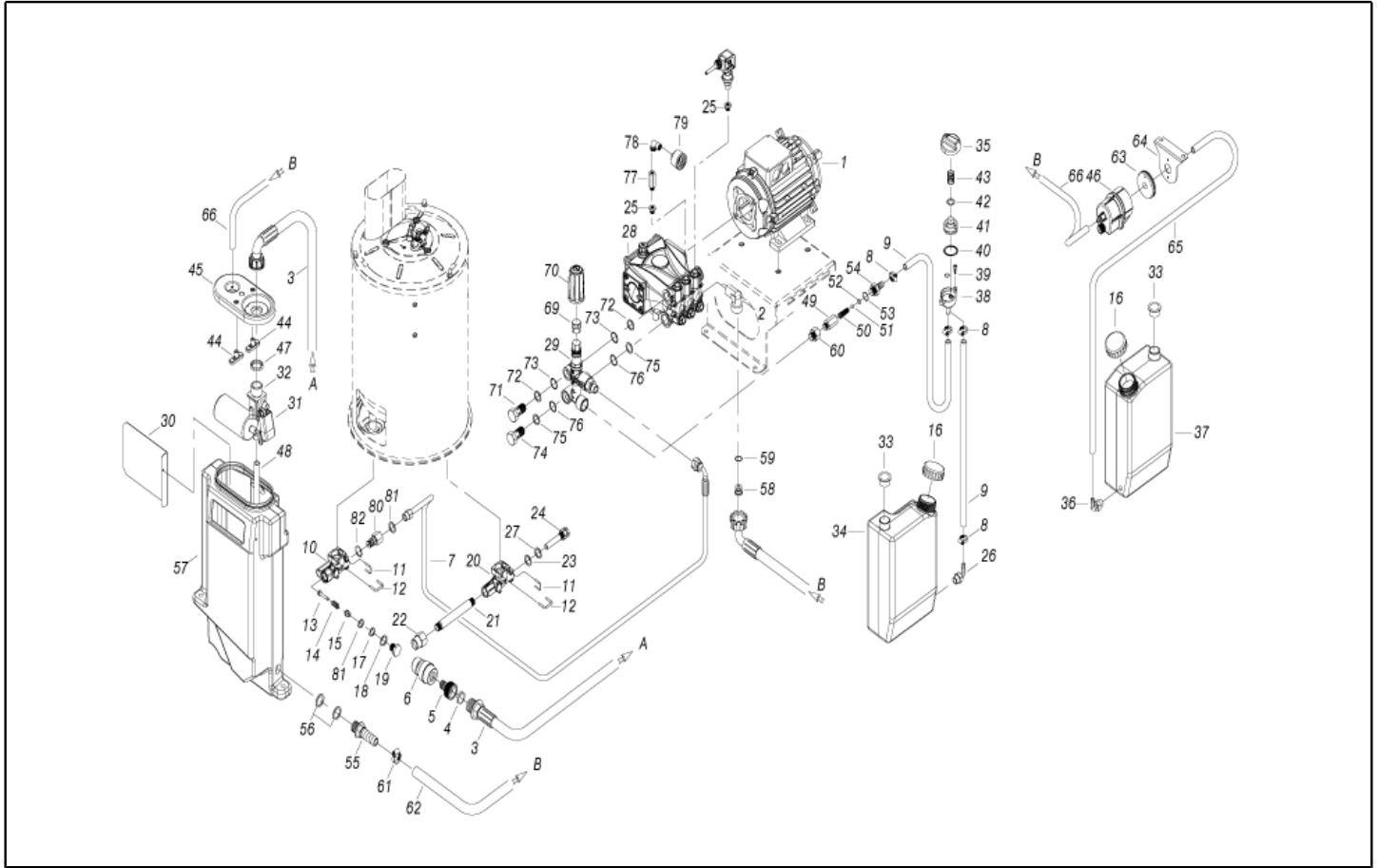
| Ref. K | Part n.   | Part n. 2 | Description                             | Quantity | Validity   |            | Price |
|--------|-----------|-----------|---|----------|------------|------------|-------|
|        |           |           |   |          | From       | To         |       |
| 0001   | LAFN40998 |           | TROLLEY PW-H28/4W BK. 2V.               | 1,00     |            |            | --    |
| 0002   | RTRT40068 |           | WHEEL D.250-D.25X 65 IPC/2 GRN          | 4,00     |            |            | --    |
| 0003   | VTRS09813 |           | WASHER D.25                             | 4,00     |            |            | --    |
| 0004   | MPVR40734 |           | HUB CAP D.50 G-48/IPC GR.368C           | 4,00     |            |            | --    |
| 0006   | LAFN40710 |           | MOTOR SUPPORT PW-H28 5.5HP ZC.          | 1,00     |            |            | --    |
| 0007   | MPVR33534 |           | BOX SUPPORT MST PA 66                   | 1,00     |            |            | --    |
| 0008   | MPVR20187 |           | RING NUT M 39 X 3                       | 2,00     |            |            | --    |
| 0009   | LAFN41326 |           | SUPPORT PW-H28 PM 2V.ZC.                | 1,00     |            |            | --    |
| 0010   | LAFN40980 |           | BRACKET PW-H28 PM/2 ZC                  | 1,00     |            |            | --    |
| 0011   | LAFN40707 |           | BRACKET PW-H28 ZC                       | 1,00     |            |            | --    |
| 0012   | MPVR40685 |           | BLACK COVER PW-H28 INF.PP               | 1,00     |            |            | --    |
| 0013   | GUGO25527 |           | O-RING D. 14 X 3 NBR 70SH               | 2,00     |            |            | --    |
| 0014   | MPVR23482 |           | TAIL PIECE TEC. TUV                     | 1,00     |            |            | --    |
| 0015   | MPVR23484 |           | TAIL PIECE THERM.KSM TUV                | 1,00     |            |            | --    |
| 0016   | MPVR40809 |           | BOX COVER PW-H28 ABS BK. C/F.Sc.Led     | 1,00     |            |            | --    |
| 0017   | MPVR40748 |           | CONTROL BOX PW-H28/ADVANC. ABS BK.      | 1,00     |            |            | --    |
| 0018   | MPVR41903 |           | THICKNESS TERM.IM.PA66                  | 1,00     |            |            | --    |
| 0019   | MPVR40187 |           | TANK CAP P215 PEHD C/F.                 | 1,00     |            | 14/11/2022 | --    |
| 0019   | MPVR45426 |           | TANK CAP P176 PEHD                      | 1,00     | 15/11/2022 |            | --    |
| 0020   | MPVR49057 |           | BLACK KNOB P176-M.RACE PA6              | 2,00     |            |            | --    |
| 0021   | MPVR41233 |           | GREEN COVER PW-H31 SUP.PP GR.368C       | 1,00     |            |            | --    |
| 0022   | MPVR41230 |           | PIN PW-H61 INT.PP BK                    | 2,00     |            |            | --    |
| 0023   | MPVR41229 |           | PIN PW-H61 EST.PP BK                    | 2,00     |            |            | --    |
| 0024   | MPVR41234 |           | DOOR PW-H31 PPL BK                      | 1,00     |            |            | --    |
| 0025   | MPVR41235 |           | DOOR PW-H31 PT.PPL BK                   | 1,00     |            |            | --    |
| 0028   | MPVR40688 |           | TOOL HOLDER PW-H28 PP BK.               | 1,00     |            |            | --    |
| 0029   | MPVR40485 |           | RUBBER PW-H35 15-20BK.                  | 1,00     |            |            | --    |
| 0030   | MPVR40534 |           | PIN PW-H35 PP BK.                       | 2,00     |            |            | --    |
| 0031   | IPPR40031 |           | GRIP G 4000+P.330 +M22 SW.M V           | 1,00     |            |            | --    |
| 0032   | LCPR12983 |           | DOUBLE EXTENS. PD 70                    | 1,00     |            | 09/11/2016 | --    |
| 0032   | LCPR89117 |           | DOUBLE EXTENS. PD 70 M22 M -1/4F INX MV | 1,00     | 10/11/2016 |            | --    |
| 0033   | UGLN11196 |           | NOZZLE SPS 1/4 15035                    | 2,00     | 01/03/2018 |            | --    |
| 0033   | UGLN49986 |           | NOZZLE LECH 1/4 1504                    | 2,00     |            | 28/02/2018 | --    |
| 0034   | TBAP44379 |           | H.P. HOSE R1 MT 20 5/16" C/2 IRV ZC     | 1,00     |            |            | --    |
| 0035   | PVVR11806 |           | DISCHARGE CAP FLL                       | 1,00     | 01/07/2018 |            | --    |
| 0035   | RCVR40146 |           | CAP 3/8 M OT.NIK EI 8 +OR               | 1,00     |            | 30/06/2018 | --    |
| 0036   | GUVR13437 |           | EDGE H=10                               | 0,40     |            |            | --    |
| 0037   | MPVR40805 |           | TANK PW-H28 C/F.Liv. PE BK.             | 1,00     |            |            | --    |
| 0038   | ETET41581 |           | LABEL PW-H31 QR1 IPN PLC                | 1,00     |            |            | --    |
| 0039   | GUGO33675 |           | JOINT MOUSSE D. 4                       | 1,30     |            |            | --    |
| 0040   | VTVT14480 |           | SCREW TE M 8X80 ZINC. UNI               | 1,00     |            |            | --    |
| 0041   | MLML11917 |           | SPRING D. 14.5 X24 X2.2                 | 1,00     |            |            | --    |
| 0042   | MPVR40751 |           | TRIGGER H28/4W                          | 1,00     |            |            | --    |
| 0043   | LAFN40713 |           | BRACKET PW-H28/4W BK.                   | 1,00     |            |            | --    |



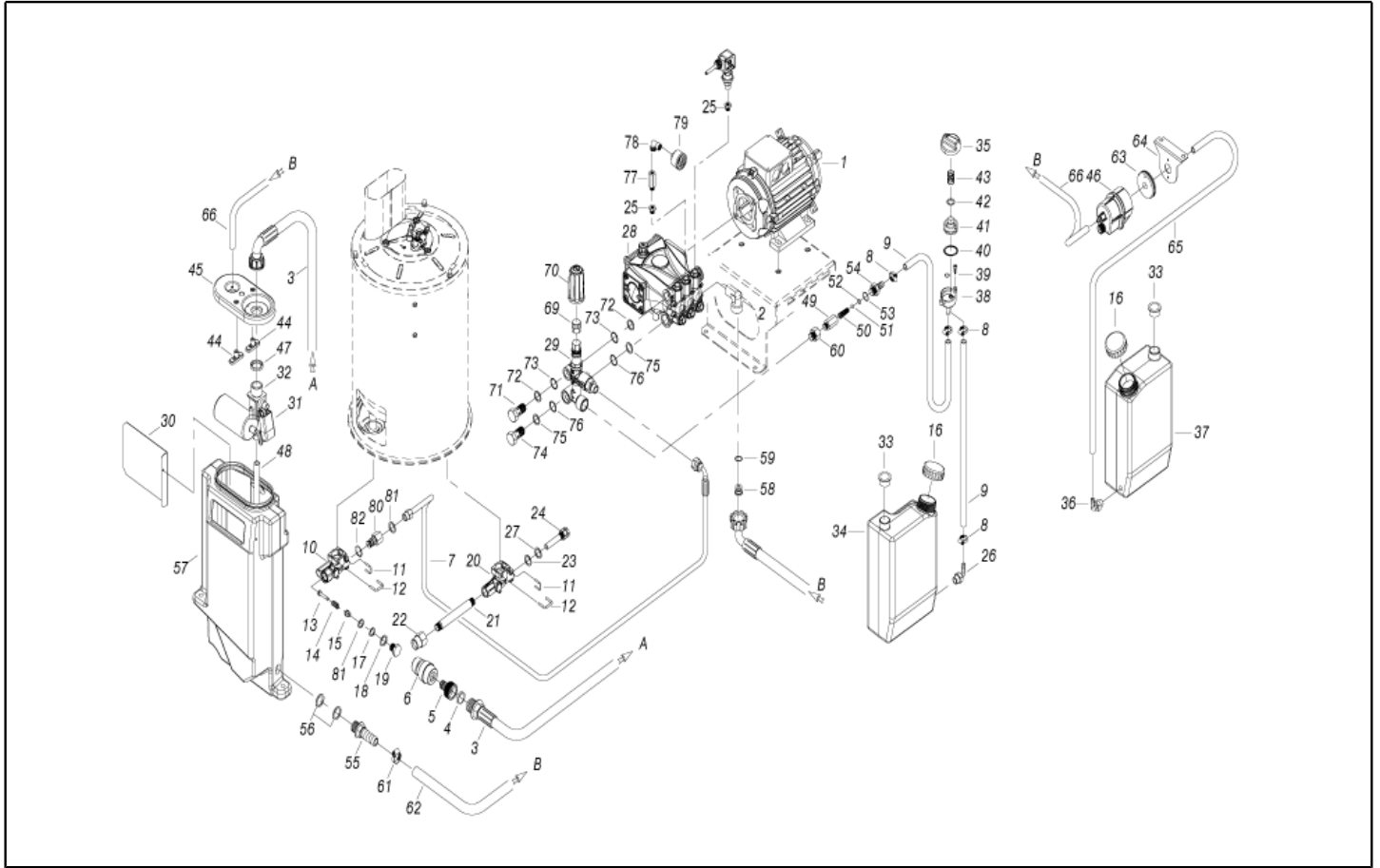
| Ref. K | Part n.   | Part n. 2 | Description                     | Quantity | Validity   |    | Price |
|--------|-----------|-----------|---------------------------------|----------|------------|----|-------|
|        |           |           |                                 |          | From       | To |       |
| 0044   | VTDD00492 |           | NUT M 8 ZINC                    | 1,00     |            |    | --    |
| 0045   | LAFN46067 |           | SUPPORT L.60 P176               | 1,00     |            |    | --    |
| 0046   | LAFN40721 |           | SUPPORT PW-H28 ZC               | 1,00     |            |    | --    |
| 0047   | LAFN41337 |           | BRACKET PW-H28 2V. ZC.          | 1,00     |            |    | --    |
| 0048   | LCPR40054 |           | LANCER TURBO TPR-255+SF230 040  | 1,00     |            |    | --    |
| 0049   | GUGO01056 |           | O-RING D. 18.72 X 2.62 NBR 70SH | 1,00     |            |    | --    |
| 0050   | GUGO01197 |           | O-RING D. 22.22 X 2.62 NBR 70SH | 1,00     |            |    | --    |
| 0051   | GUGO40074 |           | O-RING D. 37.47 X 5.34 NBR 70SH | 2,00     |            |    | --    |
| 0065   | GUGO11489 |           | GASKET D.22X1,5                 | 1,00     | 01/07/2018 |    | --    |
| 0071   | MEVR40294 |           | CLIP HE.TYTON                   | 2,00     |            |    | --    |
| 0073   | MEVR40027 |           | CLIP D. 6.35 DB.                | 1,00     |            |    | --    |



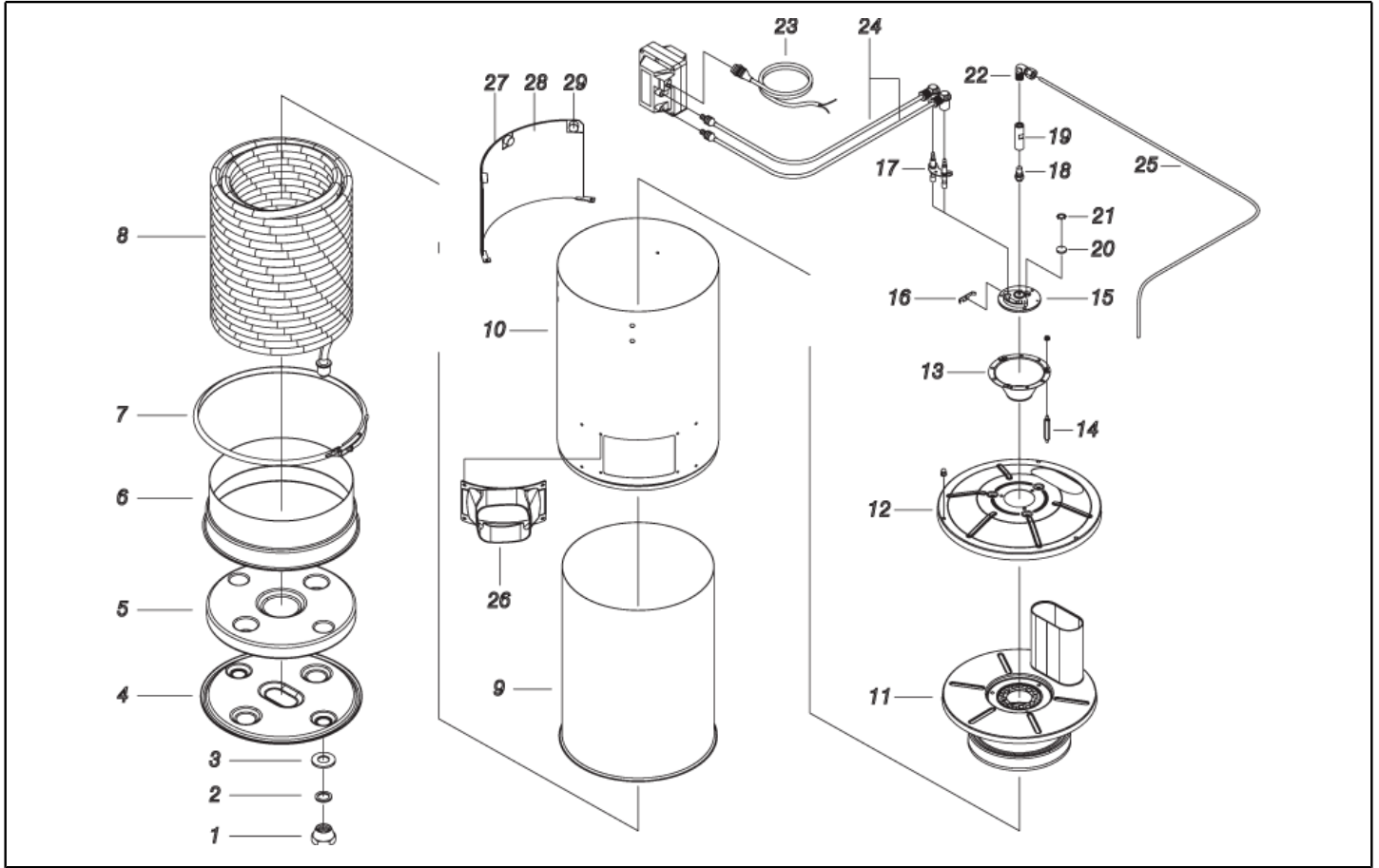
| Ref. K | Part n.   | Part n. 2 | Description                           | Quantity | Validity   |            | Price |
|--------|-----------|-----------|---------------------------------------|----------|------------|------------|-------|
|        |           |           |                                       |          | From       | To         |       |
| 0001   | MOTR40043 |           | 3PH MOTOR H35 HP 5.5 400-50 2P ED     | 1,00     |            |            | --    |
| 0002   | RCVR40153 |           | ELBOW 3/4"-1/2" M OT.                 | 1,00     |            |            | --    |
| 0003   | TBBP40085 |           | L.P. HOSE L=1060 3/4F90°-3/4M 0°      | 1,00     |            |            | --    |
| 0004   | FTDT12702 |           | FILTER PA                             | 1,00     |            |            | --    |
| 0005   | RCVR29600 |           | SOCKET PTC 3/4 F                      | 1,00     |            |            | --    |
| 0006   | RCVR29602 |           | CONNECTOR D. 1/2"-5/8" PTC            | 1,00     |            |            | --    |
| 0007   | TBAP40267 |           | HOSE-FITTING 1/4 R1 L=635 3/8F90-3/8M | 1,00     |            |            | --    |
| 0008   | FSVR00427 |           | CLAMP D. 12 CLIC 66-110               | 2,00     |            |            | --    |
| 0009   | TBBP00051 |           | DETERGENT HOSE D. 6-12                | 0,65     |            |            | --    |
| 0009   | TBBP00051 |           | DETERGENT HOSE D. 6-12                | 0,35     |            |            | --    |
| 0010 S | MFVR40062 |           | CONNECTOR PW-H28 AL. INL.             | 1,00     |            | 31/12/2021 | --    |
| 0010 S | MFVR40099 |           | CONNECTOR PW-H28 AL. INL. 2V.         | 1,00     | 01/01/2022 |            | --    |
| 0011   | LAFN37625 |           | PLUG "U" T-STOP PRM INX               | 2,00     |            |            | --    |
| 0012   | LAFN87846 |           | PLUG "U" P191 INX                     | 2,00     |            |            | --    |
| 0013 S | RCDS40215 |           | SMALL PISTON V.SC. P191/200 OT.       | 1,00     |            |            | --    |
| 0014 S | MLML40035 |           | SPRING D. 8.8X21 X2.5 INX             | 1,00     |            |            | --    |
| 0015 S | RCDS40214 |           | BUSHING V.SC. P191/200 OT.            | 1,00     |            | 14/07/2017 | --    |
| 0015 S | RCDS40263 |           | BUSHING V.SC. P191/200 2V. OT.        | 1,00     | 15/07/2017 |            | --    |
| 0016   | MPVR40756 |           | TANK CAP KSM C/F.                     | 1,00     |            |            | --    |
| 0016   | MPVR40756 |           | TANK CAP KSM C/F.                     | 1,00     |            |            | --    |
| 0017 S | GUGO37529 |           | O-RING D. 5.23 X 2.62 NBR 70SH        | 1,00     |            |            | --    |
| 0018 S | GUGO25527 |           | O-RING D. 14 X 3 NBR 70SH             | 1,00     |            |            | --    |
| 0019 S | RCDS87757 |           | VALVE TAP P191 OT.                    | 1,00     |            |            | --    |
| 0020   | MFVR40101 |           | CONNECTOR PW-H28 AL. OUT. 2V.+Fr.     | 1,00     |            |            | --    |
| 0022   | RCIN09348 |           | MALE COUPLING 3/8MA L=32              | 1,00     |            |            | --    |
| 0023   | GUGO27030 |           | O-RING D. 6 X 3 VIT 70SH              | 1,00     |            |            | --    |
| 0024   | RCDS40211 |           | SUMP PW-H28 D.15 OT.                  | 1,00     |            |            | --    |
| 0025   | PVVR40183 |           | CAP AR RC C/F. 1/8F+OR                | 2,00     |            |            | --    |
| 0026   | RCVR89548 |           | HOSE FITTING "L" 1/8M D.7 OT.NK       | 1,00     |            |            | --    |
| 0027   | VTRS40025 |           | WASHER D. 6.6X11.75X2 OT.             | 1,00     |            |            | --    |
| 0028   | PPAP40100 |           | PUMP RCS 11.17 DX ND                  | 1,00     |            |            | --    |
| 0029   | VVAZ40079 |           | VALVE VRF-2 AR-R PPr S/I.             | 1,00     |            |            | --    |
| 0030   | LAFN40732 |           | PANEL PW-H28 INX                      | 1,00     |            |            | --    |
| 0031   | RCGR60703 |           | FLOATER MTM 3/4 PP. S/F.              | 1,00     |            |            | --    |
| 0032   | MPVR88419 |           | ADAPTER P245 PA6 BK.                  | 1,00     |            |            | --    |
| 0033   | MPVR18582 |           | CAP D.22                              | 1,00     |            |            | --    |
| 0033   | MPVR18582 |           | CAP D.22                              | 1,00     |            | 31/01/2019 | --    |
| 0033   | MPVR40994 |           | CAP D.31                              | 1,00     | 01/02/2019 |            | --    |
| 0034   | MPVR40706 |           | TANK PW-H28 PEHD NT.                  | 1,00     |            |            | --    |
| 0035   | MPVR25533 |           | GREY KNOB PRT-AC                      | 1,00     |            |            | --    |
| 0036   | RCVR40151 |           | HOSE FITTING "L" 1/8M D.5 OT.NIK      | 1,00     |            |            | --    |
| 0037   | MPVR40707 |           | TANK PW-H28 PEHD NT.                  | 1,00     |            | 31/01/2019 | --    |
| 0037   | MPVR40990 |           | TANK PW-H28 PEHD NT. 2V.              | 1,00     | 01/02/2019 |            | --    |
| 0038   | RCGR08069 |           | TAP BODY DET. PRT                     | 1,00     |            |            | --    |



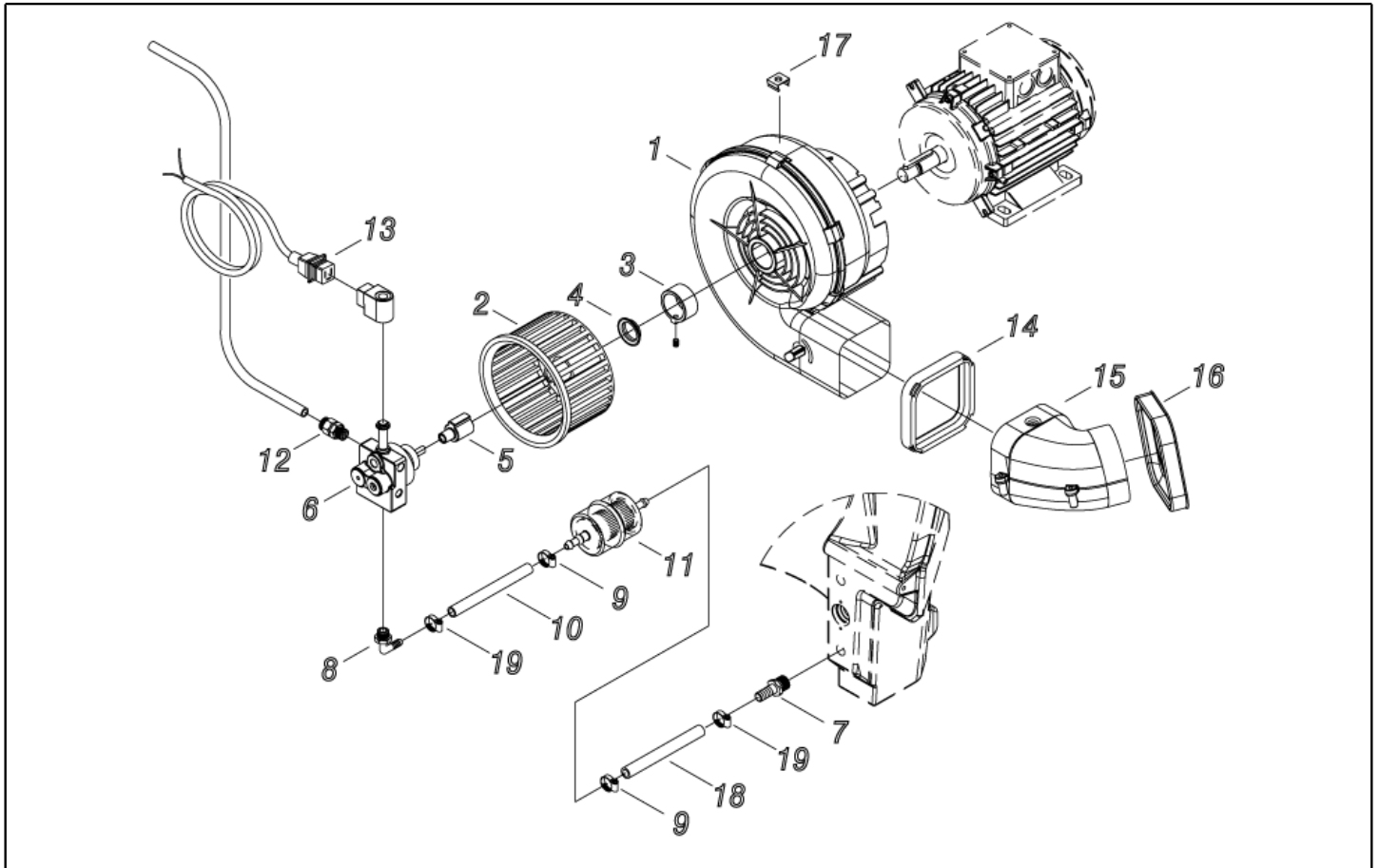
| Ref. K | Part n.   | Part n. 2 | Description                         | Quantity | Validity   |    | Price |
|--------|-----------|-----------|-------------------------------------|----------|------------|----|-------|
|        |           |           |                                     |          | From       | To |       |
| 0039   | GUGO08071 |           | O-RING D. 4.48 X 1.78 NBR 70SH      | 1,00     |            |    | --    |
| 0040   | GUGO12183 |           | O-RING D. 23.4 X 3.53 VIT 70SH      | 1,00     |            |    | --    |
| 0041   | RCGR08070 |           | ADJUSTER PRT                        | 1,00     |            |    | --    |
| 0042   | VTRS00542 |           | WASHER D.14X20                      | 1,00     |            |    | --    |
| 0043   | MLML08068 |           | SPRING D.1,5 L.23                   | 1,00     |            |    | --    |
| 0044   | MPVR89078 |           | PLATE P190 PA6 BL.                  | 2,00     |            |    | --    |
| 0045   | MPVR40516 |           | TANK COVER P190-35 PA6 BL.          | 1,00     |            |    | --    |
| 0046   | MEPD45940 |           | DESCALING PUMP NME 1 24V 50/60HZ    | 1,00     |            |    | --    |
| 0047   | RCVR49974 |           | RING NUT 3/4" X 4 NIK               | 1,00     |            |    | --    |
| 0048   | TBBP40105 |           | L.P. HOSE D.12-17 CRISTALL          | 0,08     | 15/06/2016 |    | --    |
| 0049   | RCDS46072 |           | VALVE BODY N/R 1/4F-1/4 P176 OT     | 1,00     |            |    | --    |
| 0050   | MLML21505 |           | SPRING D. 8 X5 X0.3                 | 1,00     |            |    | --    |
| 0051   | SFVR04274 |           | BALL D. 7/32                        | 1,00     |            |    | --    |
| 0052   | GUGO01055 |           | O-RING D. 5.28 X 1.78 VIT 70SH      | 1,00     |            |    | --    |
| 0053   | GUGO01036 |           | O-RING D. 10.82 X 1.78 NBR 70SH     | 1,00     |            |    | --    |
| 0054   | RCDS10546 |           | VALVE SEAT 1/4M + PG. D.3-7.5 OTT   | 1,00     |            |    | --    |
| 0055   | RCVR40154 |           | HOSE FITTING PPL D.19 -G.1/2M       | 1,00     |            |    | --    |
| 0056   | GUGO40060 |           | GASKET D. 21.0-33 X 2.5 EPDM        | 2,00     |            |    | --    |
| 0057   | MPVR40705 |           | WATER TANK PW-H28 PEHD NT.          | 1,00     |            |    | --    |
| 0058   | MPVR40743 |           | WATER NOZZLE PW-H28 D. 8 PVC        | 1,00     |            |    | --    |
| 0059   | GUGO01060 |           | O-RING D. 9.92 X 2.62 NBR 70SH      | 1,00     |            |    | --    |
| 0060   | RCVR02606 |           | REDUCTION 1/2-1/4 M/F               | 1,00     |            |    | --    |
| 0061   | FSVR00431 |           | CLAMP D. 16-25                      | 1,00     |            |    | --    |
| 0062   | TBBP40086 |           | L.P. HOSE L=290 3/4F 90° -LIB.19X26 | 1,00     |            |    | --    |
| 0065   | TBBP00058 |           | L.P. HOSE D. 4- 7                   | 0,90     |            |    | --    |
| 0069   | PVVR40273 |           | ADAPTER VRF-2 RG.                   | 1,00     |            |    | --    |
| 0070   | MPVR41241 |           | BLACK KNOB VRF-2 IPC                | 1,00     |            |    | --    |
| 0071   | RCDS40172 |           | SCREW 3/8 VRF-2 OT 4F.              | 1,00     |            |    | --    |
| 0072   | VTRS00548 |           | WASHER D.17,5X23X1,5 (3/8)RM        | 2,00     |            |    | --    |
| 0073   | GUGO03510 |           | O-RING D. 12.37 X 2.62 NBR 70SH     | 2,00     |            |    | --    |
| 0074   | RCDS40171 |           | SCREW G 1/2 VRF-2 OT. 2F.           | 1,00     |            |    | --    |
| 0075   | VTRS00549 |           | WASHER D.21,5X27X1,5 (1/2) RM       | 1,00     |            |    | --    |
| 0076   | GUGO01048 |           | O-RING D. 15.88 X 2.62 NBR 70SH     | 2,00     |            |    | --    |
| 0078   | RCDS40176 |           | ELBOW 1/8" M/F CN. L=24 OT.         | 1,00     |            |    | --    |
| 0079   | MNMN18650 |           | PRESSURE GAUGE 0-300 D.40           | 1,00     |            |    | --    |
| 0080   | RCDS40213 |           | CONNECTOR G3/8 F MV200 ZC           | 1,00     |            |    | --    |
| 0081   | VTRS00548 |           | WASHER D.17,5X23X1,5 (3/8)RM        | 1,00     |            |    | --    |
| 0082   | GUGO28927 |           | O-RING D. 9.13 X 2.62 NBR 70SH      | 1,00     |            |    | --    |
| 0090   | GUGO40115 |           | GASKET 164X 81X3 EPDM-60            | 1,00     | 01/12/2020 |    | --    |



| Ref. Part n. | Part n. 2 | Description               | Reference                                    | Price |
|--------------|-----------|---------------------------|--|-------|
| KTRI40482    |           | KIT P 14- 65 PW-H28 200b. | 0010 0010 0013 0014 0015 0015 0017 0018 0019 | --    |

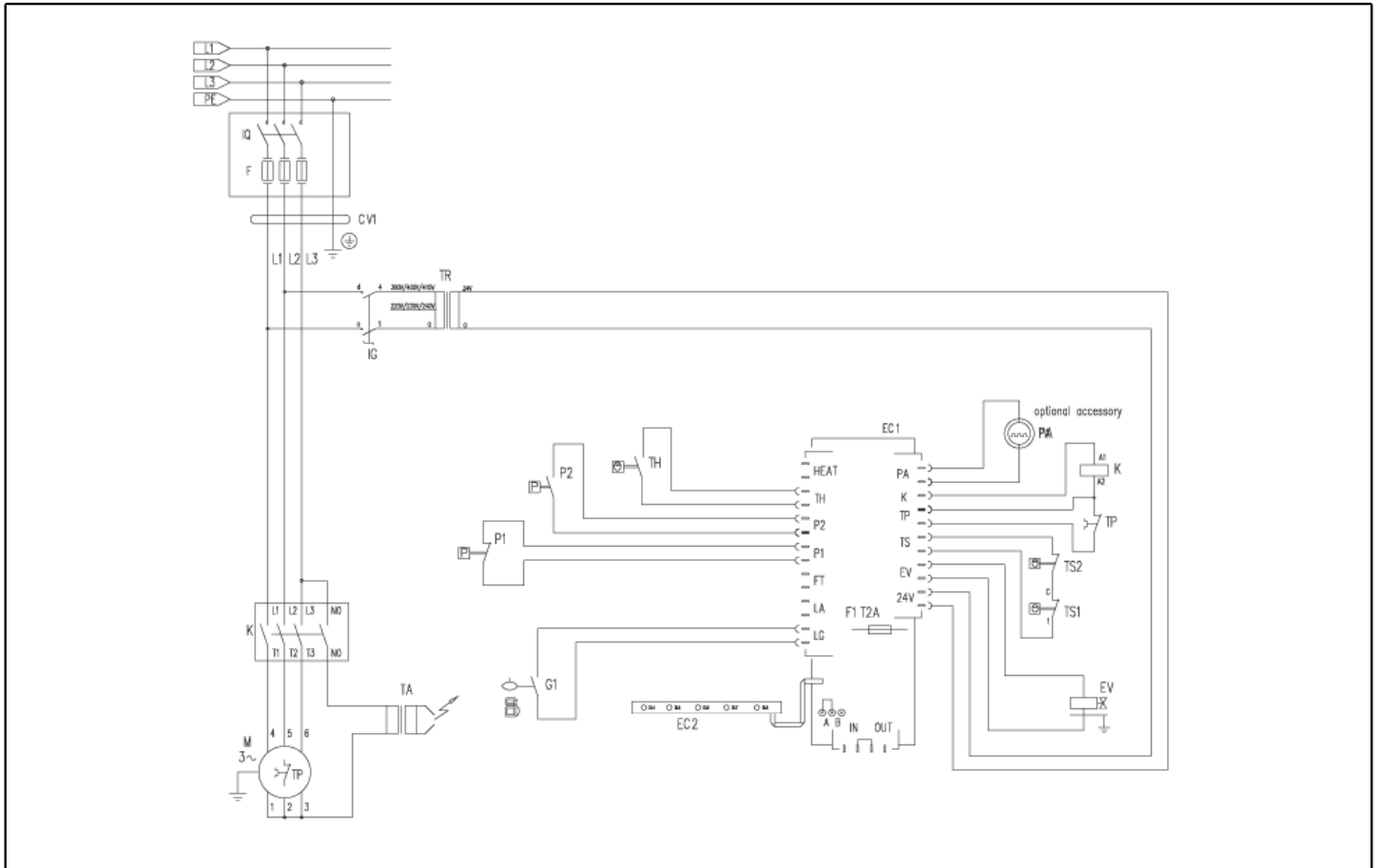


| Ref. K | Part n.   | Part n. 2 | Description                           | Quantity | Validity |    | Price |
|--------|-----------|-----------|---------------------------------------|----------|----------|----|-------|
|        |           |           |                                       |          | From     | To |       |
| 0001   | RCDS40208 |           | RING NUT M 27 X 1,5 ZC                | 2,00     |          |    | --    |
| 0002   | GUGO40059 |           | O-RING D. 16 X 4 VIT 70SH             | 2,00     |          |    | --    |
| 0003   | GUVR21021 |           | ANTI-EXTR.RING D. 21 X17 TEF.         | 2,00     |          |    | --    |
| 0004   | LAFN44149 |           | BOILER BOTTOM P176                    | 1,00     |          |    | --    |
| 0005   | ITTE44175 |           | BOTTOM P176 C.TE                      | 1,00     |          |    | --    |
| 0006   | LAFN40733 |           | BAND P176-H28 INX                     | 1,00     |          |    | --    |
| 0007   | LAFN40037 |           | RING D.342 P176 ZN 2V.CPL.            | 1,00     |          |    | --    |
| 0008   | LAGR40032 |           | DOUBLE COIL M27X1.5 H28 24MT. SP.2.35 | 1,00     |          |    | --    |
| 0009   | LASL40101 |           | INT. CYLINDER PM INX                  | 1,00     |          |    | --    |
| 0010   | LAFN40581 |           | EXT. CYLINDER PM-H35 INX              | 1,00     |          |    | --    |
| 0011   | LAFN40269 |           | BOILER COVER SI PM INX                | 1,00     |          |    | --    |
| 0012   | LAFN40270 |           | BOILER COVER SE PM INX                | 1,00     |          |    | --    |
| 0013   | LAFN44244 |           | BAFFLE P176 30M INX                   | 1,00     |          |    | --    |
| 0014   | LAFN40271 |           | PIN CH.10 X 67.7 M5M/M5M PM           | 3,00     |          |    | --    |
| 0015   | MFVR18226 |           | ELECTR.HOLDER FUT 3°V                 | 1,00     |          |    | --    |
| 0016   | LAFN07641 |           | PLATE INX                             | 1,00     |          |    | --    |
| 0017   | MECA12525 |           | ELECTRODE FUT                         | 1,00     |          |    | --    |
| 0018   | UGBR22575 |           | BURNER NOZZLE DANF. 1.00 60 S         | 1,00     |          |    | --    |
| 0019   | RCDS07642 |           | NOZZLE HOLDER FUT                     | 1,00     |          |    | --    |
| 0020   | MPVR18228 |           | OIL WARN-LIGHT D.17 X3                | 1,00     |          |    | --    |
| 0021   | VTAE22633 |           | SEEGER 0.4 X18,30X10,5                | 1,00     |          |    | --    |
| 0022   | RCVR40228 |           | CONNECTOR L 1/8" M D. 4 +OR NBR N     | 1,00     |          |    | --    |
| 0023   | MECB34463 |           | CABLE BT L=800 SP. FD                 | 1,00     |          |    | --    |
| 0024   | MECV35334 |           | CABLE A.T. 9.8-23KOHM/M L= 400P       | 2,00     |          |    | --    |
| 0025   | TBBP00123 |           | TUBE RILSAN D. 2- 4 NT.               | 0,55     |          |    | --    |
| 0026   | MPVR88426 |           | CONVEYOR P176 PA6 BK.                 | 1,00     |          |    | --    |
| 0027   | LAFN40996 |           | PANEL PW-H28/JP ZC                    | 1,00     |          |    | --    |
| 0028   | ITTE40012 |           | PROTECTION PW-H28 VT1100              | 1,00     |          |    | --    |
| 0029   | MPVR40950 |           | SPACER D. 2.5-20 L=12 PTFE            | 3,00     |          |    | --    |

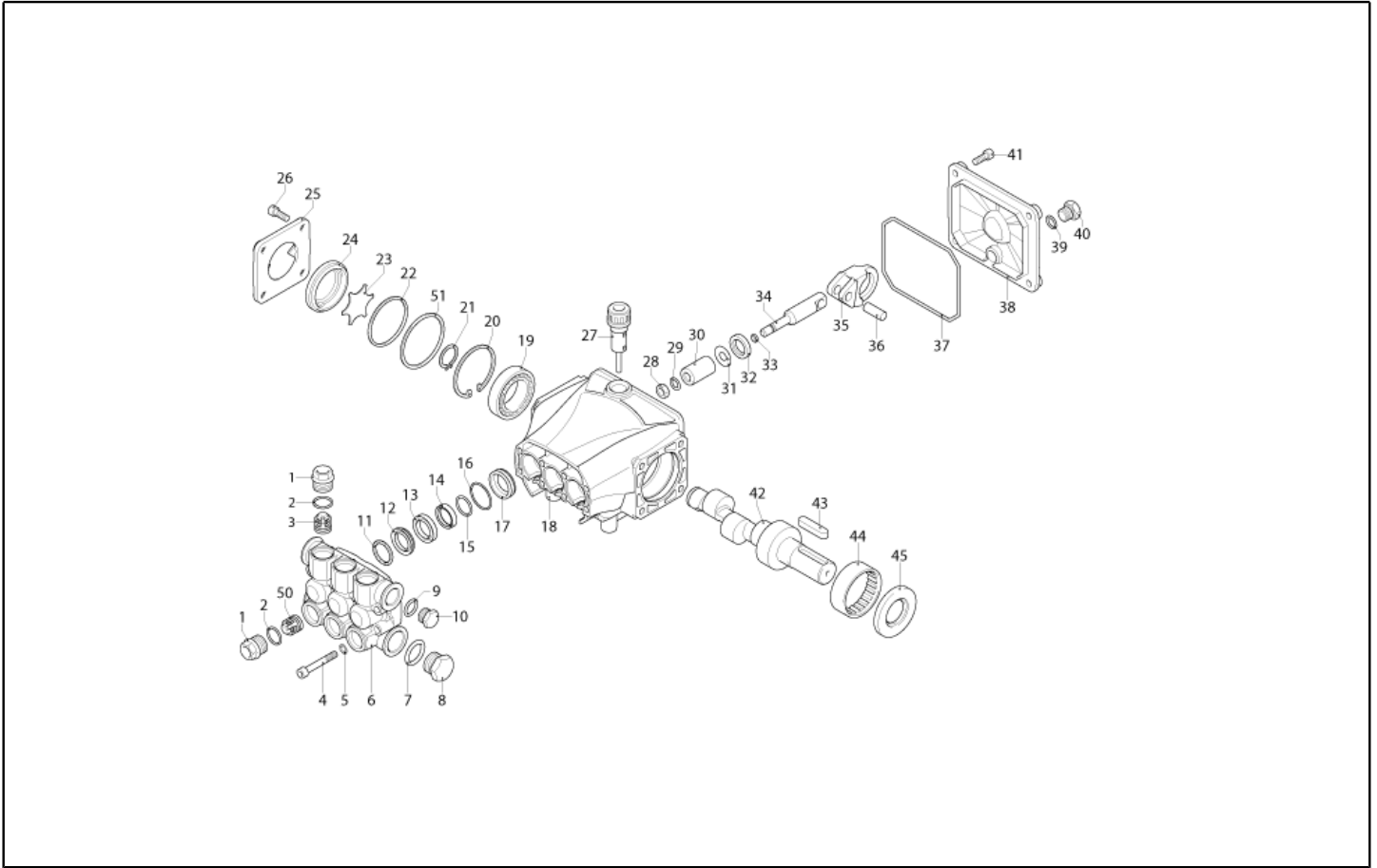


| Ref. K | Part n.   | Part n. 2 | Description                         | Quantity | Validity |    | Price |
|--------|-----------|-----------|-------------------------------------|----------|----------|----|-------|
|        |           |           |                                     |          | From     | To |       |
| 0001   | MPVR26987 |           | SCROLL KSM CPL.                     | 1,00     |          |    | --    |
| 0002   | VEVR20128 |           | IMPELLER KSM D.140 29P. PA66        | 1,00     |          |    | --    |
| 0003   | RCDS20417 |           | BUSHING KSM                         | 1,00     |          |    | --    |
| 0004   | LAFN21890 |           | BUSHING D. 25                       | 1,00     |          |    | --    |
| 0005   | FGGT49223 |           | JOINT KSM/P190 2V. PP               | 1,00     |          |    | --    |
| 0006   | PPGS48503 |           | FUEL PUMP DLT ALLUM. A1R1           | 1,00     |          |    | --    |
| 0007   | RCVR40113 |           | HOSE FITTING 1/8 M D. 5- 7 NIK      | 1,00     |          |    | --    |
| 0008   | RCVR72873 |           | HOSE FITTING "L" 1/4M - D.7 OT.NK   | 1,00     |          |    | --    |
| 0009   | FSVR11197 |           | CLAMP D.12.9-13.6                   | 2,00     |          |    | --    |
| 0010   | TBCO06945 |           | L.P. HOSE D. 6-12 10BAR C.PRESS     | 0,11     |          |    | --    |
| 0011   | FTCO10912 |           | FILTER FB 13/T NYL.                 | 1,00     |          |    | --    |
| 0012   | RCVR40229 |           | CONNECTOR DTT 1/8" M D. 4 +OR NBR N | 1,00     |          |    | --    |
| 0013   | MECB41542 |           | CABLE DLT L= 700                    | 1,00     |          |    | --    |
| 0014   | GUGO20124 |           | GASKET KSM                          | 1,00     |          |    | --    |
| 0015   | MPVR40708 |           | CONVEYOR K-H28/PM 2PZ.              | 1,00     |          |    | --    |
| 0016   | GUGO88425 |           | GASKET P245 EPDM                    | 1,00     |          |    | --    |
| 0017   | VTVR20127 |           | CLIP KSM                            | 5,00     |          |    | --    |
| 0018   | TBCO06945 |           | L.P. HOSE D. 6-12 10BAR C.PRESS     | 0,60     |          |    | --    |
| 0019   | FSVR00427 |           | CLAMP D. 12 CLIC 66-110             | 1,00     |          |    | --    |
| 0019   | FSVR40008 |           | CLAMP D. 13.5 CLIC                  | 1,00     |          |    | --    |





| Ref. K | Part n.   | Part n. 2 | Description                           | Quantity | Validity |    | Price |
|--------|-----------|-----------|---------------------------------------|----------|----------|----|-------|
|        |           |           |                                       |          | From     | To |       |
| K      | METT40008 |           | CONTACTOR SIE 3RT 2016-1AB01 24V      | 1,00     |          |    | --    |
| EV     | MEBE48504 |           | COIL DLT 24-50 NF84                   | 1,00     |          |    | --    |
| G1     | MECI40006 |           | SENSOR LEVEL S1 PML.XD.FPJ FST.       | 1,00     |          |    | --    |
| IG     | MECI40033 |           | SWITCH GTK BP. 0-1 16(8)A             | 1,00     |          |    | --    |
| TA     | METR88630 |           | TRANSFORMER 23/240V-5/60HZ 2X26KV TR. | 1,00     |          |    | --    |
| TH     | METK40028 |           | THERMOSTAT 40-110°C NT-133 IPC/2      | 1,00     |          |    | --    |
| TR     | METR40018 |           | TRANSFORMER 25VA 230-400/24 5/60HZ PM | 1,00     |          |    | --    |
| CV1    | MECB40002 |           | CABLE H07 RNF 4X1.5 L=6.500           | 1,00     |          |    | --    |
| EC1    | MECE40030 |           | CABLE CLAMPING SHUNT 2.54             | 1,00     |          |    | --    |
| EC1    | MECE40112 |           | PCB PW T-SI/MP V.PL+CO-Lv H31         | 1,00     |          |    | --    |
| EC2    | MECE40047 |           | PCB LED PW 4/5 GR. FLT.H28            | 1,00     |          |    | --    |
| TS1    | METK40025 |           | THERMOSTAT 65°C SP-140 PT RIPR.       | 1,00     |          |    | --    |
| TS2    | METK40021 |           | THERMOSTAT 110°C TK24-T02 16A 250V    | 1,00     |          |    | --    |
| P1,2   | MEPF40067 |           | PRESSURE SWITCH PS2 G1/8M 40BAR       | 2,00     |          |    | --    |



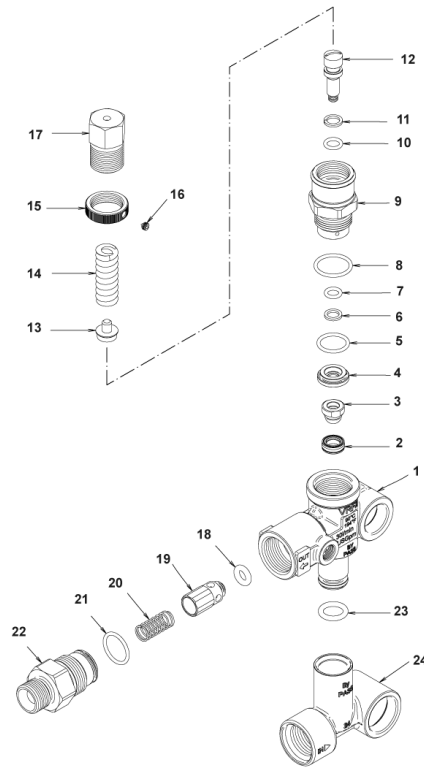
| Ref. K | Part n.     | Part n. 2 | Description                      | Quantity | Validity   |            | Price |
|--------|-------------|-----------|----------------------------------|----------|------------|------------|-------|
|        |             |           |                                  |          | From       | To         |       |
| 0001   | PVVR40120   |           | CAP AR RC                        | 6,00     |            |            | --    |
| 0002   | GUGO03505   |           | O-RING D. 15.6 X 1.78 NBR 70SH   | 6,00     |            |            | --    |
| 0003   | S VVAM40002 |           | VALVE UNIT RC                    | 3,00     |            |            | --    |
| 0004   | VTVT06236   |           | SCREW TCCE UNI 5931 6X40 ZB      | 8,00     |            |            | --    |
| 0005   | VTRS01077   |           | WASHER D. 6.4X10X0,7             | 8,00     |            |            | --    |
| 0006   | MFVR40026   |           | HEAD AR RCS OT.                  | 1,00     |            |            | --    |
| 0007   | GUGO19245   |           | O-RING D. 17.5 X 2 NBR 70SH      | 1,00     |            |            | --    |
| 0008   | PVVR40121   |           | CAP 1/2 M RC                     | 1,00     |            |            | --    |
| 0009   | GUGO09720   |           | O-RING D. 14 X 1.78 NBR 70SH     | 1,00     |            |            | --    |
| 0010   | PVVR40099   |           | CAP 3/8 M HRM                    | 1,00     |            |            | --    |
| 0011   | S PVVR40158 |           | HEAD RING D. 15 RCS              | 3,00     |            |            | --    |
| 0012   | S GUVR40028 |           | PACKING D. 15 XJS                | 3,00     |            |            | --    |
| 0013   | PVVR40159   |           | INTERMED. RING D. 15 RCS         | 3,00     |            |            | --    |
| 0014   | S GUVR40041 |           | PACKING D. 15 RCS L.P.           | 3,00     |            |            | --    |
| 0015   | S GUVR40042 |           | ANTI-EXTR.RING D.15              | 3,00     |            |            | --    |
| 0016   | S GUGO08182 |           | O-RING D. 21.91 X 1.78 NBR 70SH  | 3,00     |            |            | --    |
| 0017   | PVVR40160   |           | PACKING RETAIN. D. 15 RCS        | 3,00     |            |            | --    |
| 0018   | MFVR40027   |           | PUMP CRANKCASE AR RCS            | 1,00     |            |            | --    |
| 0019   | CUVR28336   |           | BALL BEARING 6304                | 1,00     |            |            | --    |
| 0020   | VTAE09661   |           | CIRCLIP D. 52 UNI 7437           | 1,00     |            |            | --    |
| 0021   | VTAE06193   |           | CIRCLIP D. 20 UNI 7435           | 1,00     |            |            | --    |
| 0022   | GUGO02561   |           | O-RING D. 47.3 X 2.62 NBR 70SH   | 1,00     |            |            | --    |
| 0023   | PVVR40125   |           | DISC RC                          | 1,00     |            | 31/03/2016 | --    |
| 0023   | PVVR40472   |           | OIL INDICATOR RC CPL.            | 1,00     | 01/04/2016 |            | --    |
| 0024   | PVVR40126   |           | OIL INDICATOR RC                 | 1,00     |            | 31/03/2016 | --    |
| 0025   | MFVR40021   |           | CRANKASE COVER AR RC LT.         | 1,00     |            |            | --    |
| 0026   | VTVT01531   |           | SCREW TE 6X 16 UNI 5739          | 4,00     |            |            | --    |
| 0027   | PVVR19231   |           | OIL CAP XTS                      | 1,00     |            | 31/03/2014 | --    |
| 0027   | PVVR40436   |           | OIL CAP RC                       | 1,00     | 01/04/2014 |            | --    |
| 0028   | VTDD00483   |           | NUT M 8 ZIN UNI 5588             | 3,00     |            |            | --    |
| 0029   | VTRS19394   |           | WASHER D. 8X13X0.5               | 3,00     |            |            | --    |
| 0030   | S PIVR19232 |           | PISTON D. 15 XTS                 | 3,00     |            |            | --    |
| 0031   | PVVR19233   |           | DISC XTS                         | 3,00     |            |            | --    |
| 0032   | S GUGO09690 |           | OIL SEAL 15X 24X 5 NBR70         | 3,00     |            |            | --    |
| 0033   | GUGO08071   |           | O-RING D. 4.48 X 1.78 NBR 70SH   | 3,00     |            |            | --    |
| 0034   | PVVR40127   |           | PISTON GUIDE RC                  | 3,00     |            |            | --    |
| 0035   | BLVR40001   |           | CONNECTING ROD RC                | 3,00     |            |            | --    |
| 0036   | PVVR40128   |           | GUDGEON D. 9X23 RC               | 3,00     |            |            | --    |
| 0037   | GUGO18695   |           | O-RING D. 101.27 X 2.62 NBR 70SH | 1,00     |            |            | --    |
| 0038   | MFVR40022   |           | CRANKASE COVER AR RC             | 1,00     |            |            | --    |
| 0039   | GUGO01036   |           | O-RING D. 10.82 X 1.78 NBR 70SH  | 1,00     |            |            | --    |
| 0040   | PVVR40129   |           | CAP 1/4 M RC                     | 1,00     |            |            | --    |
| 0041   | VTVT09913   |           | SCREW TCEI 6X16 UNI5931          | 4,00     |            |            | --    |
| 0042   | ALMO40036   |           | SHAFT AR RCS 11LT VRS. ND        | 1,00     |            |            | --    |



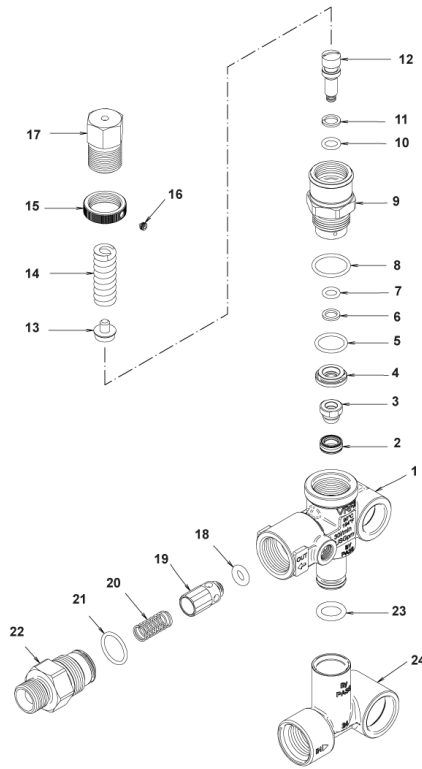
| Ref. K | Part n.     | Part n. 2 | Description              | Quantity | Validity   |    | Price |
|--------|-------------|-----------|--------------------------|----------|------------|----|-------|
|        |             |           |                          |          | From       | To |       |
| 0043   | VTVR41531   |           | KEY 8X 7X35 UNI 6604A    | 1,00     |            |    | --    |
| 0044   | CUVR23636   |           | ROLLER BEARING HK 4516   | 1,00     |            |    | --    |
| 0045   | S GUGO00999 |           | OIL SEAL 25X 52X 7 NBR70 | 1,00     |            |    | --    |
| 0050   | S VVAM40007 |           | VALVE UNIT RC ASP. BK    | 3,00     |            |    | --    |
| 0051   | PVVR40437   |           | RING D. 51.8 X0.5        | 1,00     | 01/04/2014 |    | --    |



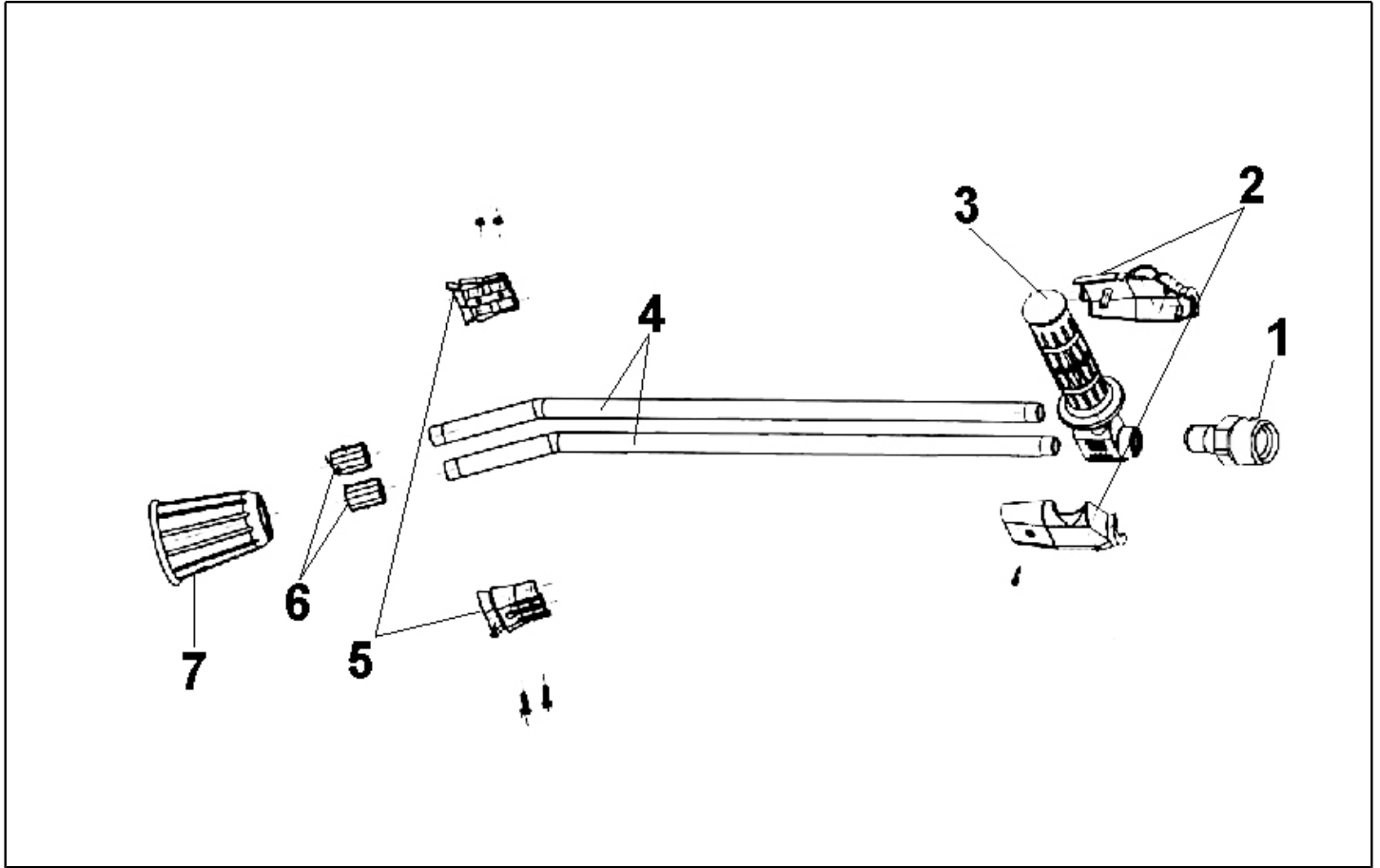
| Ref. Part n. | Part n. 2 | Description                   | Reference           | Price |
|--------------|-----------|-------------------------------|---------------------|-------|
| KTRI40096    |           | KIT P 15-42918 RC             | 0032 0045           | --    |
| KTRI40139    |           | KIT P 15-42920 D.15 RCS       | 0030                | --    |
| KTRI40140    |           | KIT P 15-42921 D.15 RCS       | 0012 0014 0015 0016 | --    |
| KTRI40141    |           | KIT P 15-2191 D.15 RCS        | 0011                | --    |
| KTRI40207    |           | KIT P 15-42914 RC 3+3 BL./WH. | 0003 0050           | --    |



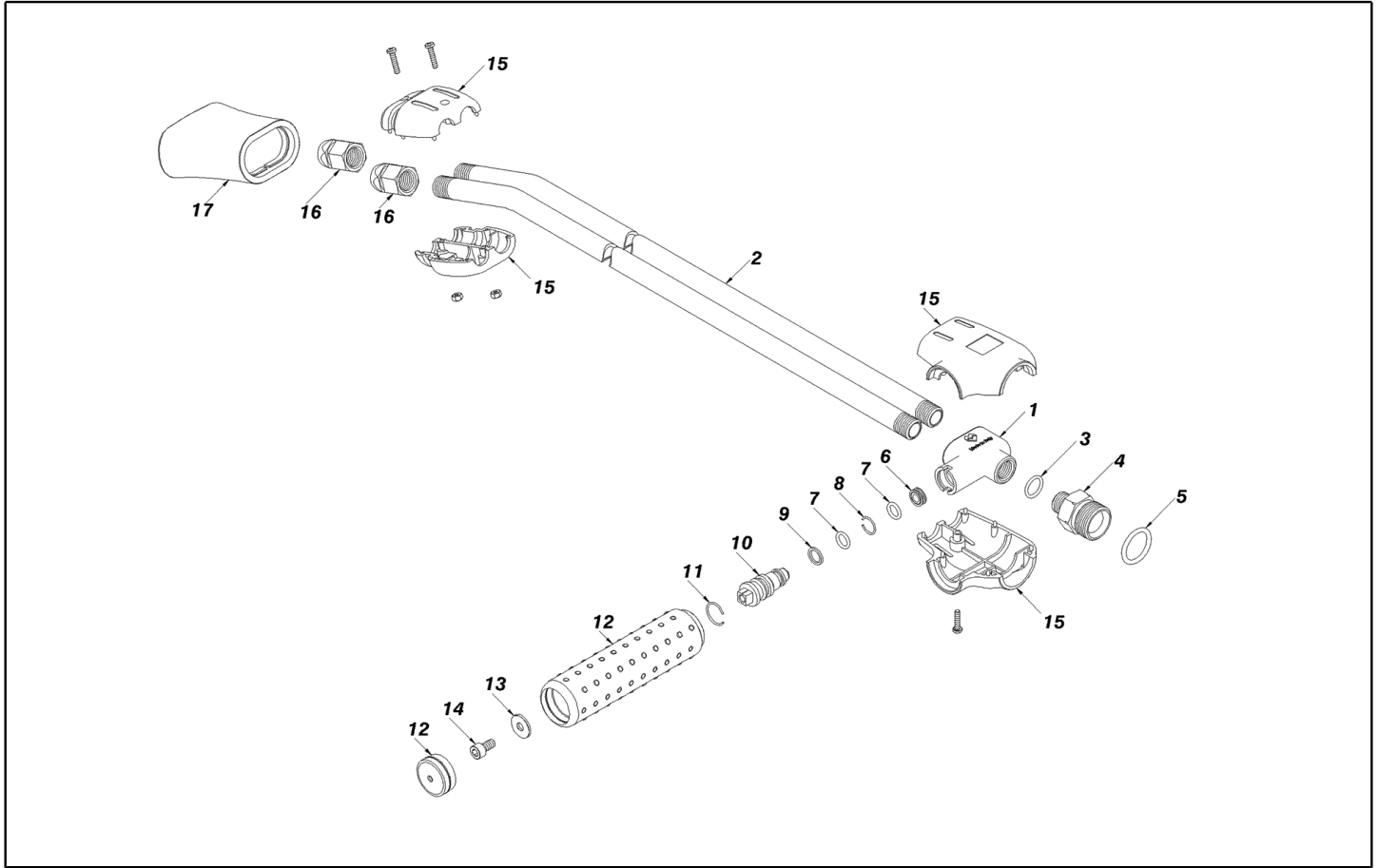
| Ref. K | Part n.     | Part n. 2 | Description                       | Quantity | Validity |    | Price |
|--------|-------------|-----------|-----------------------------------|----------|----------|----|-------|
|        |             |           |                                   |          | From     | To |       |
| 0001   | PVVR40375   |           | VALVE BODY VRF2 +G1/8 F           | 1,00     |          |    | --    |
| 0002   | S PVVR40363 |           | VALVE SEAT MV124 +OR              | 1,00     |          |    | --    |
| 0003   | S PVVR40364 |           | COUPLING MV124                    | 1,00     |          |    | --    |
| 0004   | S PVVR40365 |           | SPACER MV124                      | 1,00     |          |    | --    |
| 0005   | S GUGO12322 |           | O-RING D. 14 X 1.78 NBR 90SH      | 1,00     |          |    | --    |
| 0006   | S GUVR40072 |           | ANTI-EXTR.RING D. 6.5X 9.4        | 1,00     |          |    | --    |
| 0007   | S GUGO83861 |           | O-RING D. 6.07 X 1.78 NBR 90SH    | 1,00     |          |    | --    |
| 0008   | S GUGO24913 |           | O-RING D. 17.17 X 1.78 NBR 90SH   | 1,00     |          |    | --    |
| 0009   | S PVVR40366 |           | CONNECTOR VRF2 D.10               | 1,00     |          |    | --    |
| 0010   | S GUGO03500 |           | O-RING D. 6.75 X 1.78 NBR 70SH    | 1,00     |          |    | --    |
| 0011   | S GUVR40073 |           | ANTI-EXTR.RING D. 7.1X10 X1.2 TBT | 1,00     |          |    | --    |
| 0012   | S PVVR40367 |           | SMALL PISTON D.10 VRF2            | 1,00     |          |    | --    |
| 0013   | PVVR40368   |           | SPRING PLATE MV124 25B            | 1,00     |          |    | --    |
| 0014   | MLML40027   |           | SPRING D. 3.0/6.0 X38.85          | 1,00     |          |    | --    |
| 0015   | PVVR40369   |           | RING NUT MV167.09                 | 1,00     |          |    | --    |
| 0016   | VTVT89696   |           | SCREW EI-ST 4X 4 UNI5927 ZC       | 1,00     |          |    | --    |
| 0017   | PVVR40370   |           | CAP VRF2 M18X1                    | 1,00     |          |    | --    |
| 0018   | S GUGO46053 |           | O-RING D. 6 X 3 NBR 90SH          | 1,00     |          |    | --    |
| 0019   | S PVVR40349 |           | COUPLING VRT3                     | 1,00     |          |    | --    |
| 0020   | S MLML40026 |           | SPRING VRT3                       | 1,00     |          |    | --    |
| 0021   | S GUGO12321 |           | O-RING D. 15.6 X 1.78 NBR 90SH    | 1,00     |          |    | --    |
| 0022   | PVVR40525   |           | CONNECTOR VRT3 G 3/8M             | 1,00     |          |    | --    |
| 0023   | GUGO11225   |           | O-RING D. 10.78 X 2.62 NBR 70SH   | 1,00     |          |    | --    |
| 0024   | PVVR40373   |           | CONNECTOR VRF2.24                 | 1,00     |          |    | --    |



| Ref. Part n. | Part n. 2 | Description                  | Reference   | Price |
|--------------|-----------|------------------------------|---|-------|
| KTRI40236    |           | KIT P 14-103 VRF2            | 0002 0003 0004 0005 0006 0007 0008 0009 0010 0011<br>0012 0018 0019 0020 0021 | --    |
| KTRI40237    |           | KIT P 14-104 SET GUARNIZIONI | 0002 0003 0005 0006 0007 0008 0010 0011 0018 0021                             | --    |

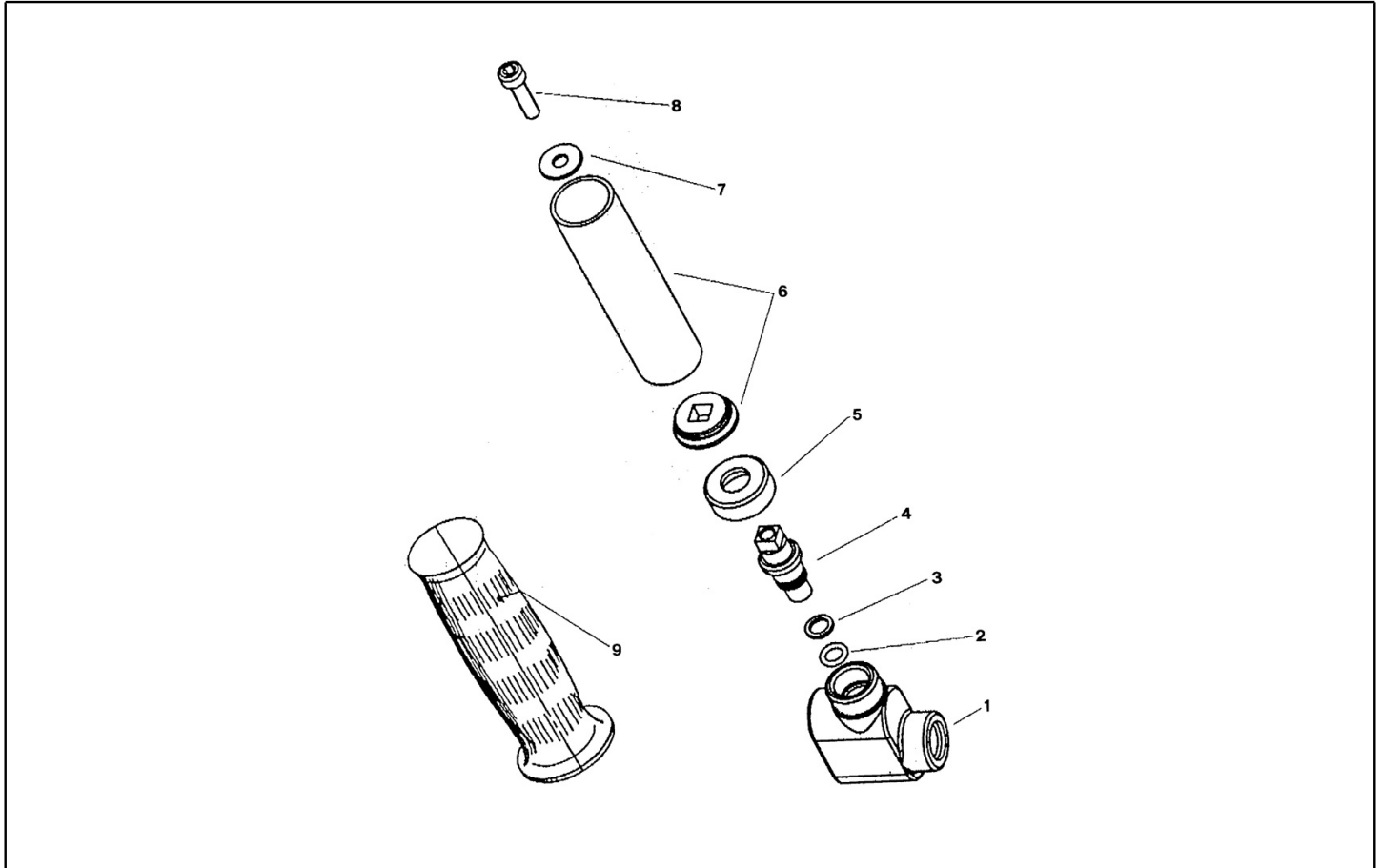


| Ref. K | Part n.   | Part n. 2 | Description                 | Quantity | Validity |    | Price |
|--------|-----------|-----------|-----------------------------|----------|----------|----|-------|
|        |           |           |                             |          | From     | To |       |
| 0001   | PVVR45296 |           | COUPLING G 1/4M -M22 M      | 1,00     |          |    | --    |
| 0002   | MPVR45214 |           | PROTECTION TB.1/4 MTM       | 1,00     |          |    | --    |
| 0003   | RCGR45737 |           | TAP 1/8 F LD MTM            | 1,00     |          |    | --    |
| 0004   | LCPR45740 |           | TUBE 1/8 L=660 INOX MTM     | 2,00     |          |    | --    |
| 0005   | MPVR45001 |           | SHELL LD MTM                | 1,00     |          |    | --    |
| 0006   | RCVR45741 |           | NOZZLE HOLDER 1/4-1/8 F MTM | 2,00     |          |    | --    |
| 0007   | PVVR43810 |           | PROTECTION L.D. MTM         | 1,00     |          |    | --    |



| Ref. K | Part n.   | Part n. 2 | Description                     | Quantity | Validity   |            | Price |
|--------|-----------|-----------|---------------------------------|----------|------------|------------|-------|
|        |           |           |                                 |          | From       | To         |       |
| 0001   | RCGR40000 |           | TAP BODY L.DOP. 1/4" MV INX     | 1,00     |            |            | --    |
| 0002   | LCPR40000 |           | TUBE 1/4 L=700 CROM.            | 2,00     |            | 30/11/2009 | --    |
| 0002   | LCPR40107 |           | TUBE 1/4 L=700 INX.             | 2,00     | 01/12/2009 |            | --    |
| 0003   | GUGO19194 |           | O-RING D. 11.11 X 1.78 NBR 70SH | 1,00     |            | 30/09/2010 | --    |
| 0003   | VTRS04931 |           | WASHER COPPER D.13X19X1.5       | 1,00     | 01/10/2010 |            | --    |
| 0004   | RCIN46781 |           | MALE COUPLING MV 1/4 -M 22 M    | 1,00     |            |            | --    |
| 0005   | GUGO01056 |           | O-RING D. 18.72 X 2.62 NBR 70SH | 1,00     |            |            | --    |
| 0006   | PVVR40019 |           | BUSHING MV LD                   | 1,00     |            |            | --    |
| 0007   | GUGO06988 |           | O-RING D. 7.66 X 1.78 NBR 70SH  | 2,00     |            |            | --    |
| 0008   | PVVR40020 |           | CIRCLIP LD MV D. 8              | 1,00     |            |            | --    |
| 0009   | GUGO40002 |           | ANTI-EXTR.RING D. 8 NBR         | 1,00     |            |            | --    |
| 0010   | PVVR40021 |           | REGULAT. SCREW LD MV INX        | 1,00     |            |            | --    |
| 0011   | PVVR46783 |           | CIRCLIP LD MV                   | 1,00     |            |            | --    |
| 0012   | PVVR46784 |           | KNOB LD MV +CAP                 | 1,00     |            |            | --    |
| 0013   | VTRS15958 |           | WASHER UNI 6592 5X15X1,5 ZB     | 1,00     |            |            | --    |
| 0014   | VTVT17639 |           | SCREW TCEI M 5X10 UNI 5931      | 1,00     |            |            | --    |
| 0015   | MPVR46786 |           | PROTECTION LD/TB MV             | 1,00     |            |            | --    |
| 0016   | RCVR46787 |           | NOZZLE HOLDER 1/4-1/4 F MV      | 12,00    |            |            | --    |
| 0017   | PVVR46788 |           | PROTECTION LD MV                | 1,00     |            |            | --    |





| Ref. K | Part n.   | Part n. 2 | Description                    | Quantity | Validity   |            | Price |
|--------|-----------|-----------|--------------------------------|----------|------------|------------|-------|
|        |           |           |                                |          | From       | To         |       |
| 0001   | RCGR41556 |           | TAP BODY L.DOP. 1/8" MTM       | 1,00     |            | 08/03/2010 | --    |
| 0001   | PVVR40132 |           | VALVE BODY L.DP 1/4F-1/8FF CP. | 1,00     | 09/03/2010 |            | --    |
| 0002   | GUGO10330 |           | O-RING D. 6.07 X 1.78 VIT 70SH | 1,00     |            | 08/03/2010 | --    |
| 0003   | GUVR41551 |           | ANTI-EXTR.RING SR 010          | 1,00     |            | 08/03/2010 | --    |
| 0004   | PVVR41553 |           | SMALL PISTON L.DP. MTM         | 1,00     |            | 08/03/2010 | --    |
| 0005   | PVVR41555 |           | RING NUT L.DOP. MTM            | 1,00     |            | 08/03/2010 | --    |
| 0006   | LAFN41552 |           | PIPE D. 22 MTM                 | 1,00     |            |            | --    |
| 0007   | VTRS15958 |           | WASHER UNI 6592 5X15X1,5 ZB    | 1,00     |            |            | --    |
| 0008   | VTVT17639 |           | SCREW TCEI M 5X10 UNI 5931     | 1,00     |            |            | --    |
| 0009   | MPVR41554 |           | KNOB D. 22 MTM                 | 1,00     |            |            | --    |