

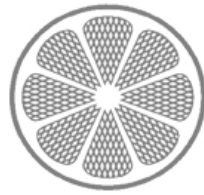


**IPC**

**Spare parts list**

Ref: ASDO15516

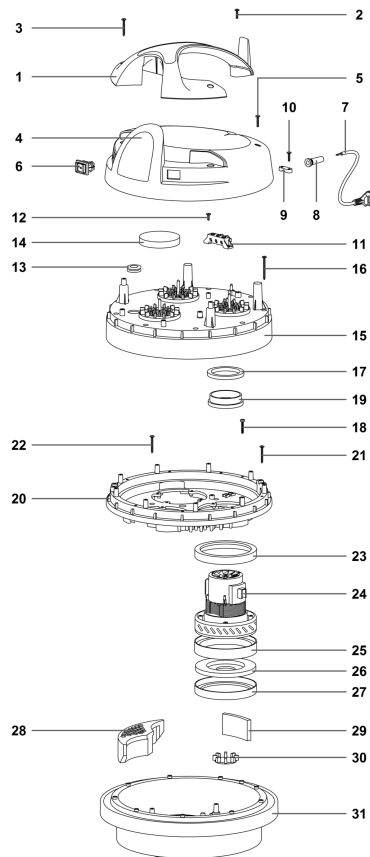
Model: VACUUM GS3/78CYC TOPPER 429 CYC



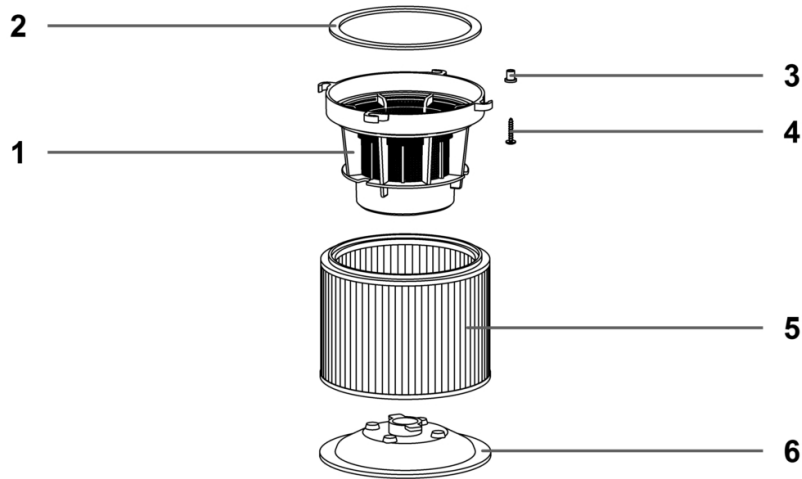
IPC Integrated Professional Cleaning

**IPC Soteco**

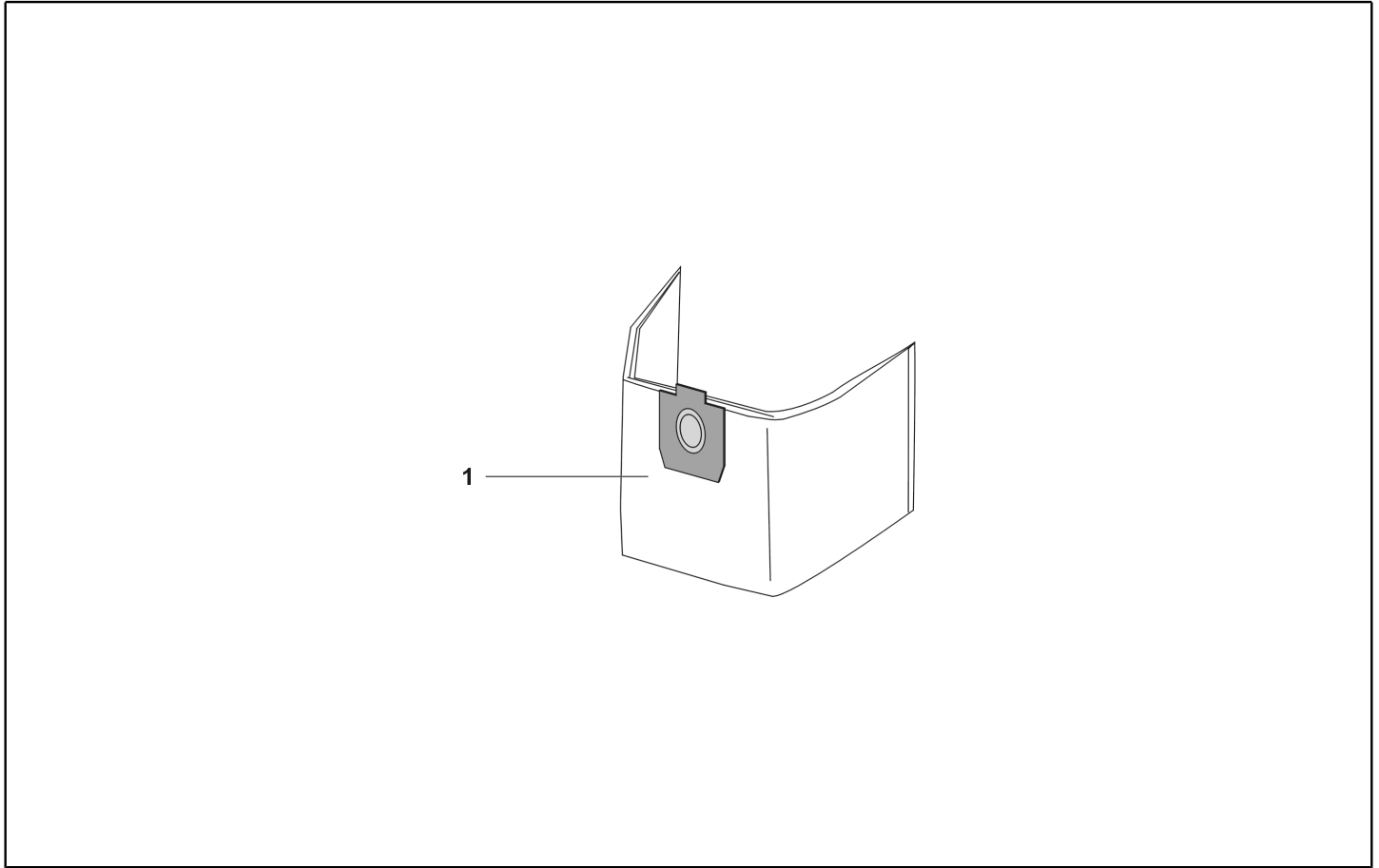
Ref. K	Part n.	Part n. 2	Description	Quantity	Validity		Price
					From	To	
0001	PMTA08599		HEAD TOPPER 433 C/P VE/NE	1,00			--
0002	KTRI04357		FILTERING KIT C/CART.HEPA ALT.=125 H13	1,00			--
0003	FTDP00462		MICROFIBER FILTER BAG 338-SC-TEX	1,00			--
0004	PMFU02611		TANK DEC.400 G/F S/F COMP ICS	1,00			--
0005	PMVR06069		CYCLONE 400 COMP.	1,00			--
0006	PMFU02651		TANK 400 BASC. CYC A430 NE/VEI	1,00			--
0007	CARR01375		TIPPING TROLLEY 400	1,00			--
0008	TBFX01270		FLEXIBLE HOSE D.50/60 5M COND.S/MAN ACC	1,00			--



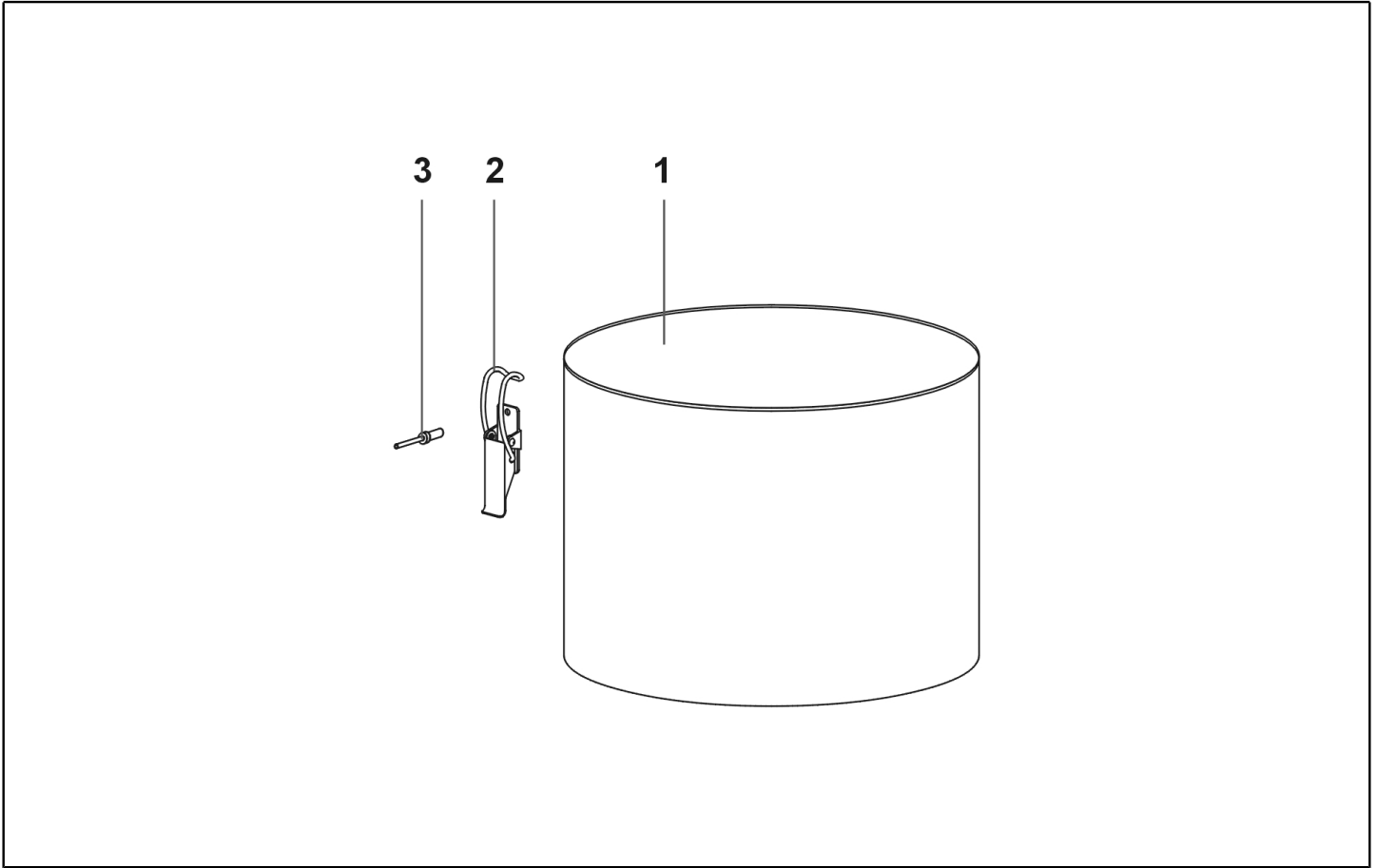
Ref. K	Part n.	Part n. 2	Description	Quantity	Validity		Price
					From	To	
*	MECB01818		WIRING 50CM MOTOR-TP 1200	3,00			--
*	FSVR00127		CLAMP	4,00			--
*	MECB35712		WIRE WITH RESISTANCE	1,00			--
0001	MPVR08307		HANDLE TOPPER 600 GREEN IPC	1,00			--
0002	VTVT71961		SCREW PFU TMT PHL 5X20 ZN NERA	1,00			--
0003	VTVT72106		SCREW PAT TMT PHL 5X40 BLACK	2,00			--
0004	PMVR06241		COVER TOPPER 600 NE 3INT	1,00			--
0005	VTVT72055		SCREW PFU TMT PHL 5X25 ZN BLACK	2,00			--
0006	MECI28744		ANTISPLASH RED LIGHT SWITCHER	3,00			--
0007	MECB31445		ELECTRIC CORD 2X1,5 MT.8,5	1,00			--
0008	MEVR28673		FAIRLEAD	1,00			--
0009	MPVR28690		CABLE CLAMP	1,00			--
0010	VTVT71961		SCREW PFU TMT PHL 5X20 ZN NERA	1,00			--
0011	MEVR02008		TERM.BOARD 400-600 3MOT.RAD	1,00			--
0012	VTVT71960		SCREW SCREW PAT TMT PHL 5X14 ZN	2,00			--
0013	MEVR72017		GUIDING SLIT FOR QUICK COUPLING	1,00			--
0014	FTDP38064		FILTER MTP/65 H=15 D.95	3,00			--
0015	MPVR08519		COVERING 600 GREEN IPC	1,00			--
0016	VTVT40007		SCREW PAT TMT PHL 5X55 BLACK	9,00			--
0017	MPVR38371		WASHER H8 D85X65	3,00			--
0018	VTVT01181		SCREW TC CROSS M 5X30 UNI 7687	1,00			--
0019	MPVR86282		RING MOTORE H=7 (15) PLAST.	3,00			--
0020	MPVR89502		MOTOR-FASTENER NEV.600 BLACK	1,00			--
0021	VTVT72106		SCREW PAT TMT PHL 5X40 BLACK	9,00			--
0022	VTVT72106		SCREW PAT TMT PHL 5X40 BLACK	3,00			--
0023	GUGO28683		"L" GASKET W/O HOLES H=5,5	3,00			--
0024	MOMO40006		MOT.BS282 1200W 220-240 50/60 MONO	3,00			--
0025	GUVR00397		"L" GASKET S/F H=16	3,00			--
0026	MPVR89143		OUTDISTANCED SINGLE-STAGE H=13MM	3,00			--
0027	GUGO28683		"L" GASKET W/O HOLES H=5,5	3,00			--
0028	FTDP38057		ANTINOISE TRIANGLE H=51	3,00			--
0029	FTDP28745		GASKET MTP/30 AU-AD 50X10X85	3,00			--
0030	MPVR28748		AUTOMATIC VALVE	3,00			--
0031	MPVR38059		BASE 600/400 W/STAT.PLATE BLACK	1,00			--



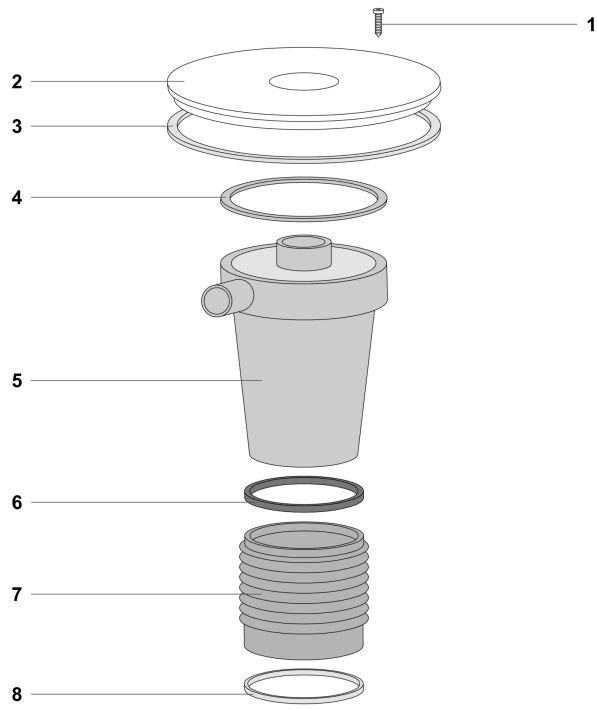
Ref. K	Part n.	Part n. 2	Description	Quantity	Validity		Price
					From	To	
0001	MPVR40590		NET ANTIFOAM BODY LOW	1,00			--
0002	GUVR40078		GASKET H3 DS50 W/ANTIFOAM BODY	1,00			--
0003	MPVR35796		BUSHING PLASTIC SLEEVE D.8	4,00			--
0004	VTVT36751		SCREW SCREW PAT TMT PHL 5X25	4,00			--
0005	FTDP28843		CARTRIDGE HEPA ALT.=125 H13	1,00			--
0006	MPVR28723		COMPL.RING FOR FILTER	1,00			--



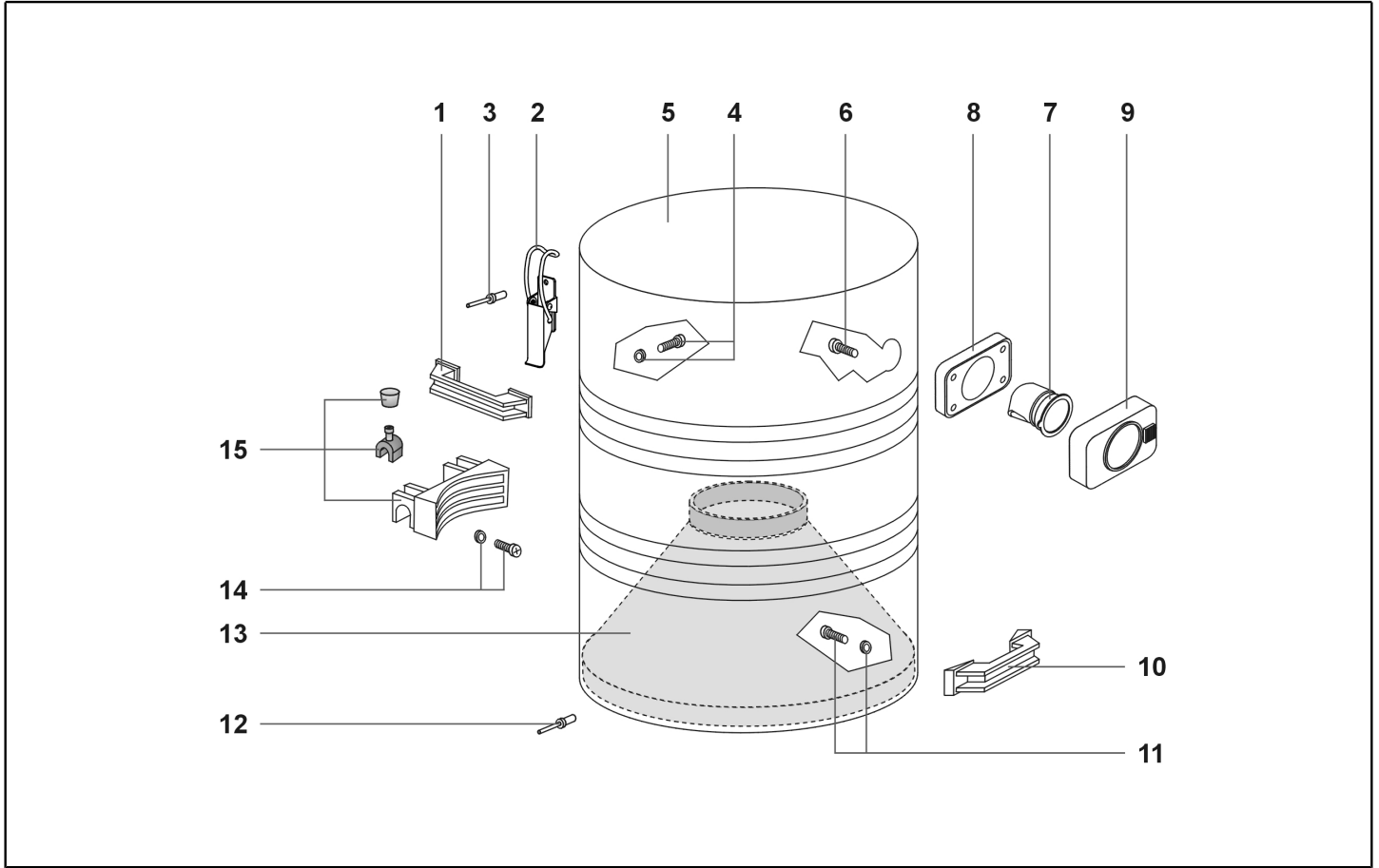
Ref. K	Part n.	Part n. 2	Description	Quantity	Validity		Price
					From	To	
0001	FTDP00462		MICROFIBER FILTER BAG 338-SC-TEX	1,00			--
0001	FTDP00462		MICROFIBER FILTER BAG 338-SC-TEX	1,00			--



Ref. K	Part n.	Part n. 2	Description	Quantity	Validity		Price
					From	To	
0001	LAFN10862		TANK DEC.400 H=330 A430 S/F IC	1,00			--
0002	CHVR40000		UNIVERSAL METAL HOOK	2,00			--
0003	VTVR71991		RIVET 5X11	4,00			--

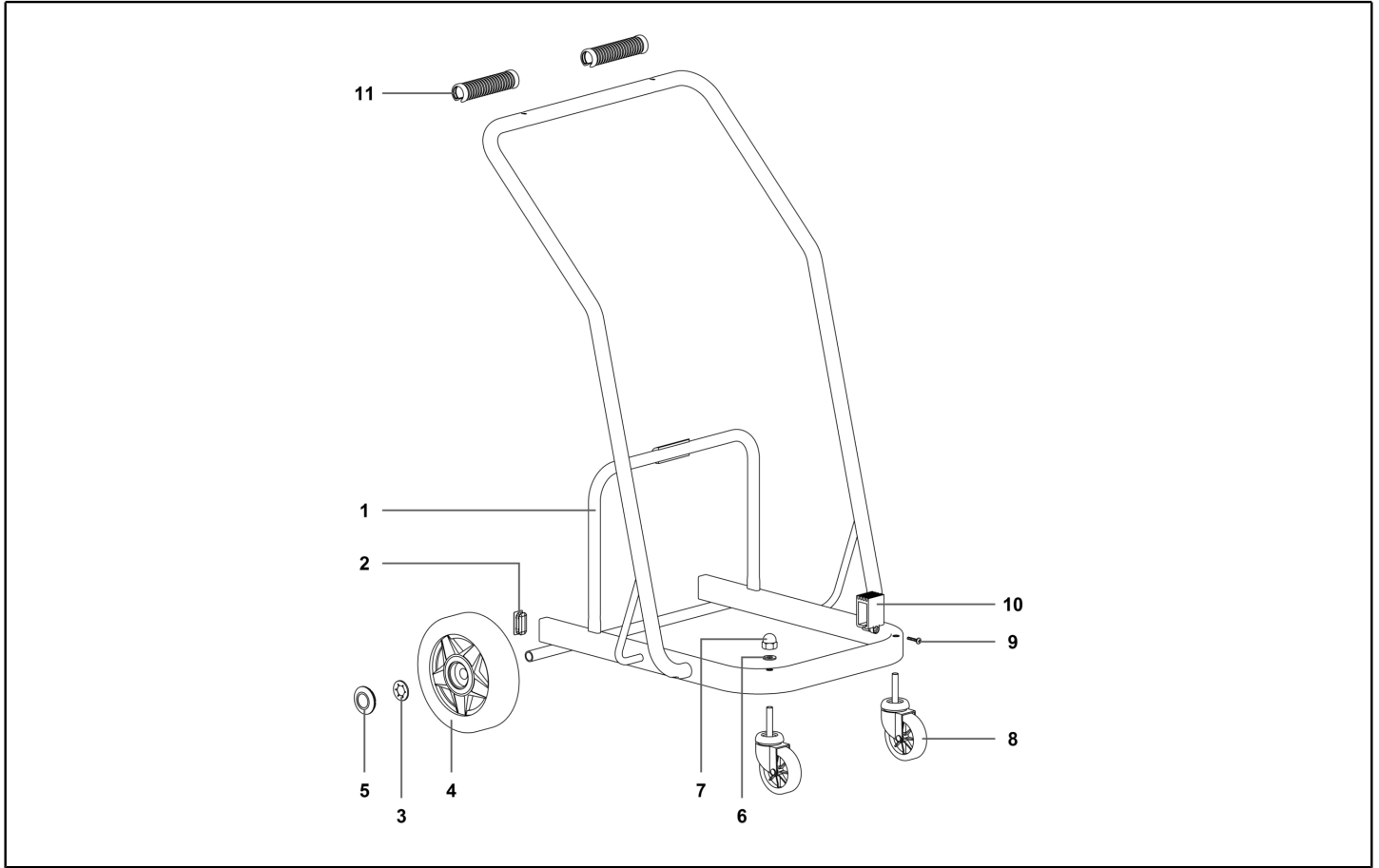


Ref. K	Part n.	Part n. 2	Description	Quantity	Validity		Price
					From	To	
0001	VTVT71960		SCREW SCREW PAT TMT PHL 5X14 ZN	4,00			--
0002	MPVR10450		SUPPORT CICLONE 400	1,00			--
0003	GUVR37740		GASKET MIR. D.600 L=1200	1,00			--
0004	GUVR00373		GASKET CICLONE	1,00	22/01/2020		--
0005	MPVR10474		SLIDING BLOCC CICLONE W/CONE	1,00			--
0006	CNPR00407		ELASTIC D.75X15 H	1,00			--
0007	MPVR06690		PROTECTOR D.80	1,00			--
0008	FSVR72169		CLAMP 8M 78/98	1,00			--

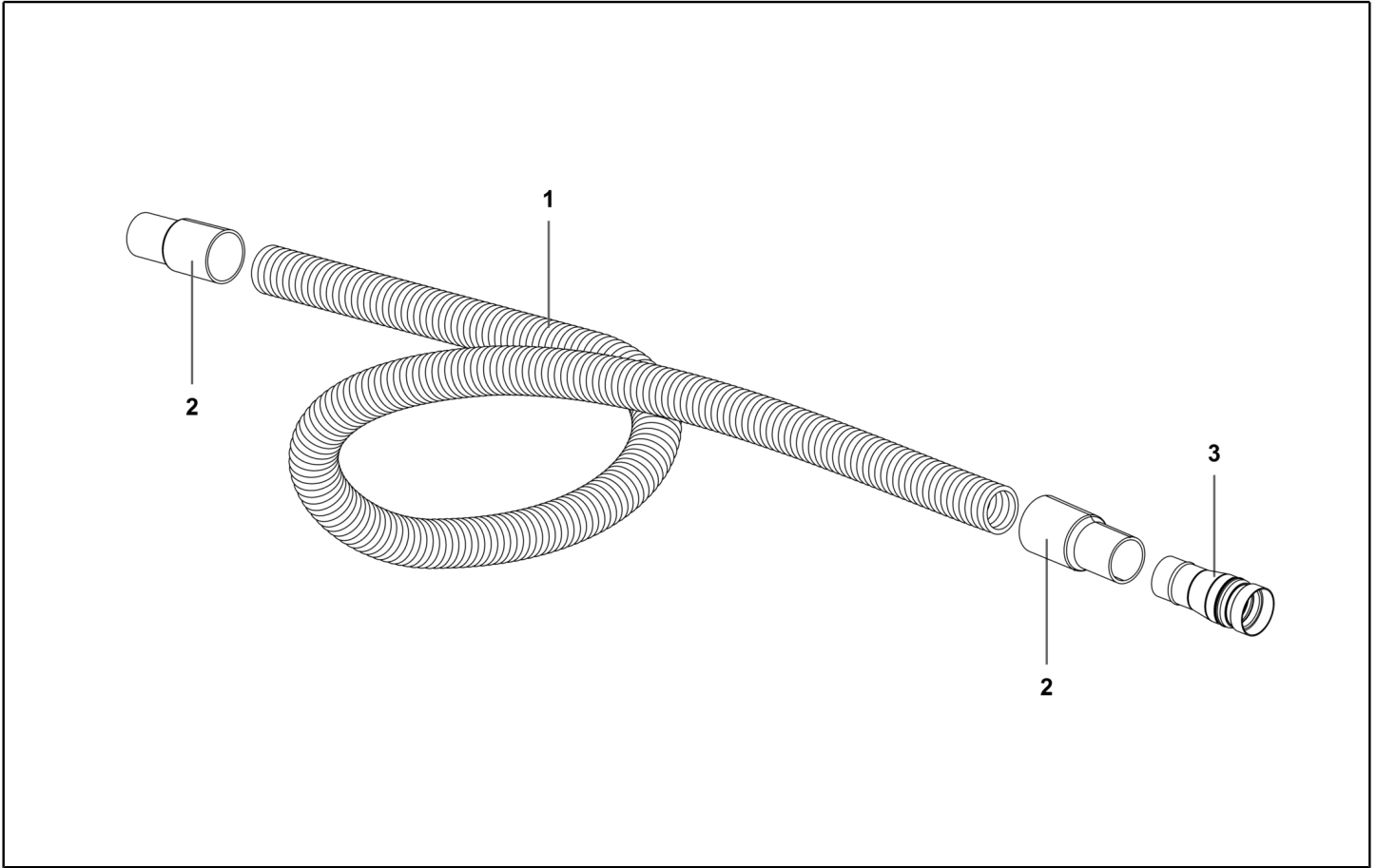


Ref. K	Part n.	Part n. 2	Description	Quantity	Validity		Price
					From	To	
0001	MPVR28737		BLACK HANDLE	2,00			--
0002	CHVR40000		UNIVERSAL METAL HOOK	2,00			--
0003	VTVR71991		RIVET 5X11	4,00			--
0004	RIGE00015		COMPLETE SEAL W/SCREW L=25	4,00			--
0005	LAFN08314		TANK 400 CICL.B.H=685 AISI 430	1,00		21/01/2020	--
0005	LAFN08274		TANK 400 TIPP.H=685 AISI 430	1,00	22/01/2020		--
0006	VTVT72055		SCREW PFU TMT PHL 5X25 ZN BLACK	4,00			--
0007	MPVR09191		BAFFLE 99/60 CONDUCTIVE	1,00			--
0008	MPVR08670		GASKET R 205 CONDUCTIVE	1,00			--
0009	MPVR11445		PIPE UNION 99/60 NE P/VEI A/G5 COND	1,00			--
0010	MPVR28737		BLACK HANDLE	1,00			--
0011	RIGE00015		COMPLETE SEAL W/SCREW L=25	2,00			--
0012	VTVR71991		RIVET 5X11	4,00			--
0013	MPVR10471		CONVEYOR 400 CICLONE	1,00			--
0014	RIGE00015		COMPLETE SEAL W/SCREW L=25	4,00			--
0015	MPVR06993		HINGE GROUP BASC COMP	1,00			--





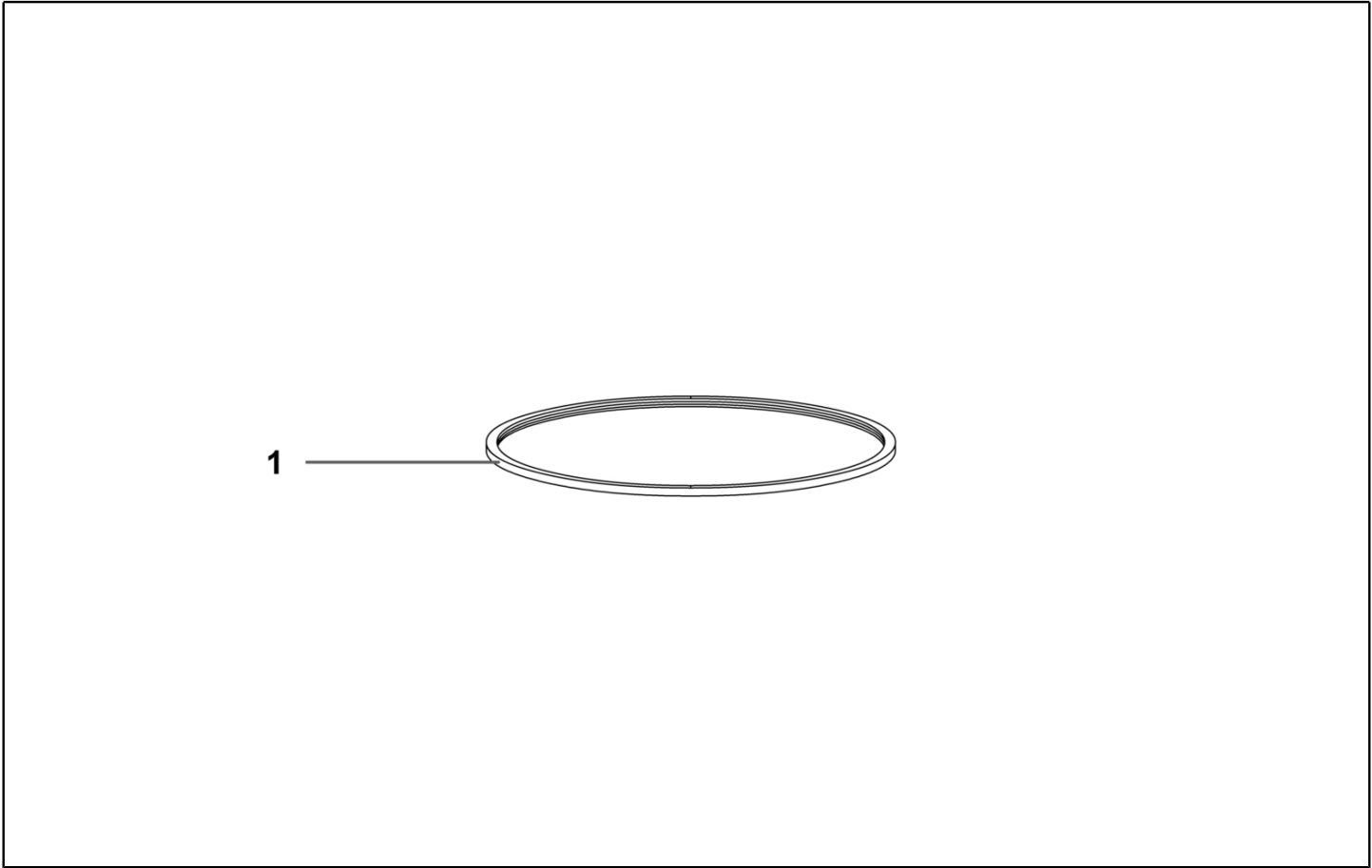
Ref. K	Part n.	Part n. 2	Description	Quantity	Validity		Price
					From	To	
0001	LAFN09997		METALLIC STRUCT 400 TIPPING	1,00			--
0002	MPVR06136		PLASTIC TOP 40X20	2,00			--
0003	MPVR86321		BLOC. D.18	2,00			--
0004	RTRT85069		REAR WHEEL D.200	2,00			--
0005	MPVR85070		WHEEL CAP D.200/250 BLACK	2,00			--
0006	VTRS71964		WASHER M 10	2,00			--
0007	VTDD72234		NUT M 10	2,00			--
0008	RTRT21167		FRONT WHEEL	2,00			--
0009	VTVT72055		SCREW PFU TMT PHL 5X25 ZN BLACK	4,00			--
0010	MPVR06691		FOOT TIPPING BEARING	4,00			--
0011	MPVR02288		GRIP PLAST.CARRELLO GR.5000	2,00		11/05/2022	--
0011	MPVR10119		GRIP PLAST.CARRELLO NERO	2,00	12/05/2022		--



Ref. K	Part n.	Part n. 2	Description	Quantity	Validity		Price
					From	To	
0001	TBFX01059		FLEXIBLE HOSE "TYPE 2 "50 5MT CONDUTT.	1,00			--
0002	MPVR07315		CUFF INT.D50 EVA D.50	2,00			--
0003	LAFN49499		GALVAN. CUFF-INLET SIDE-D.58-50	1,00			--



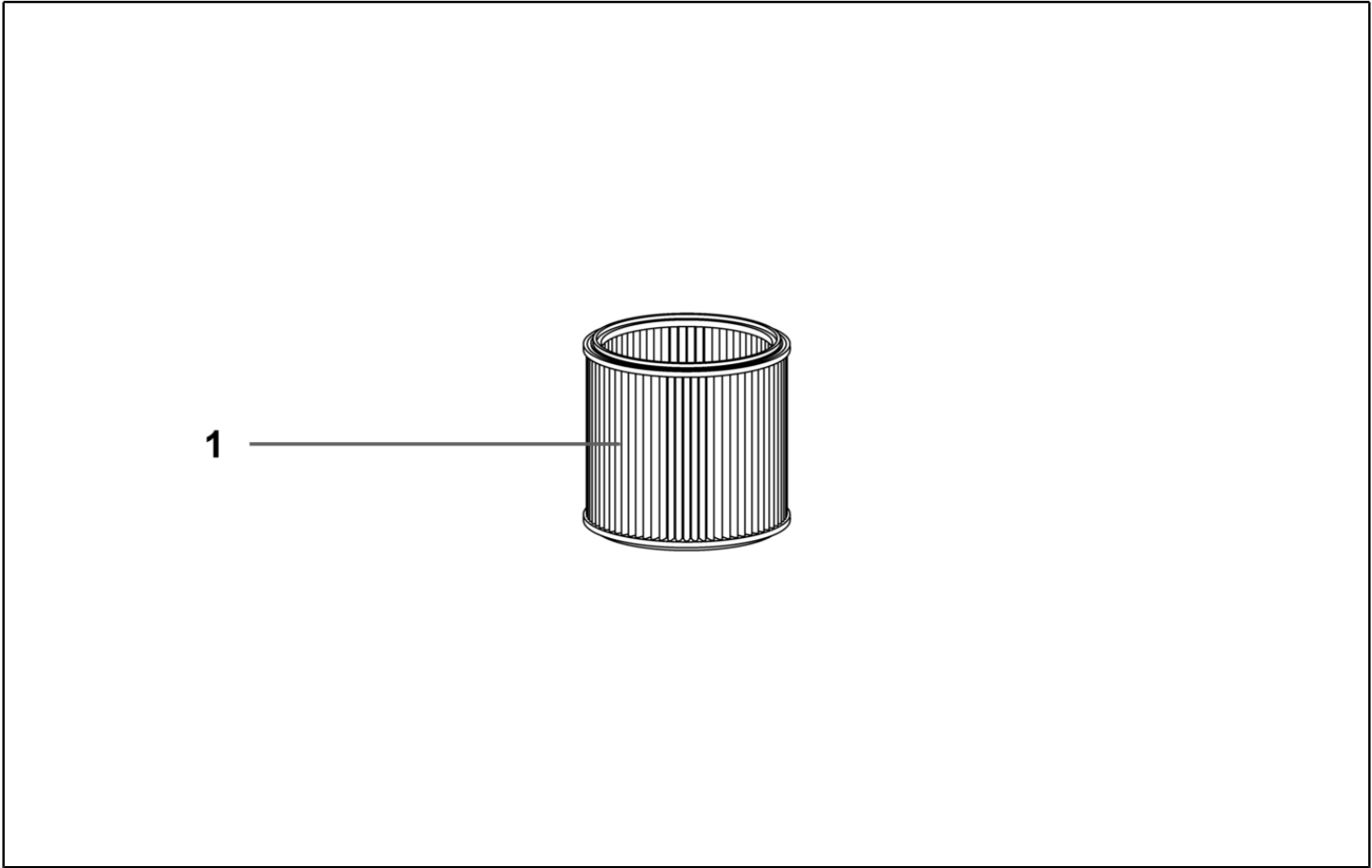
Ref. K	Part n.	Part n. 2	Description	Quantity	Validity		Price
					From	To	
0001	GUVR40078		GASKET H3 DS50 W/ANTIFOAM BODY	1,00			--
0001	GUVR40078		GASKET H3 DS50 W/ANTIFOAM BODY	1,00			--



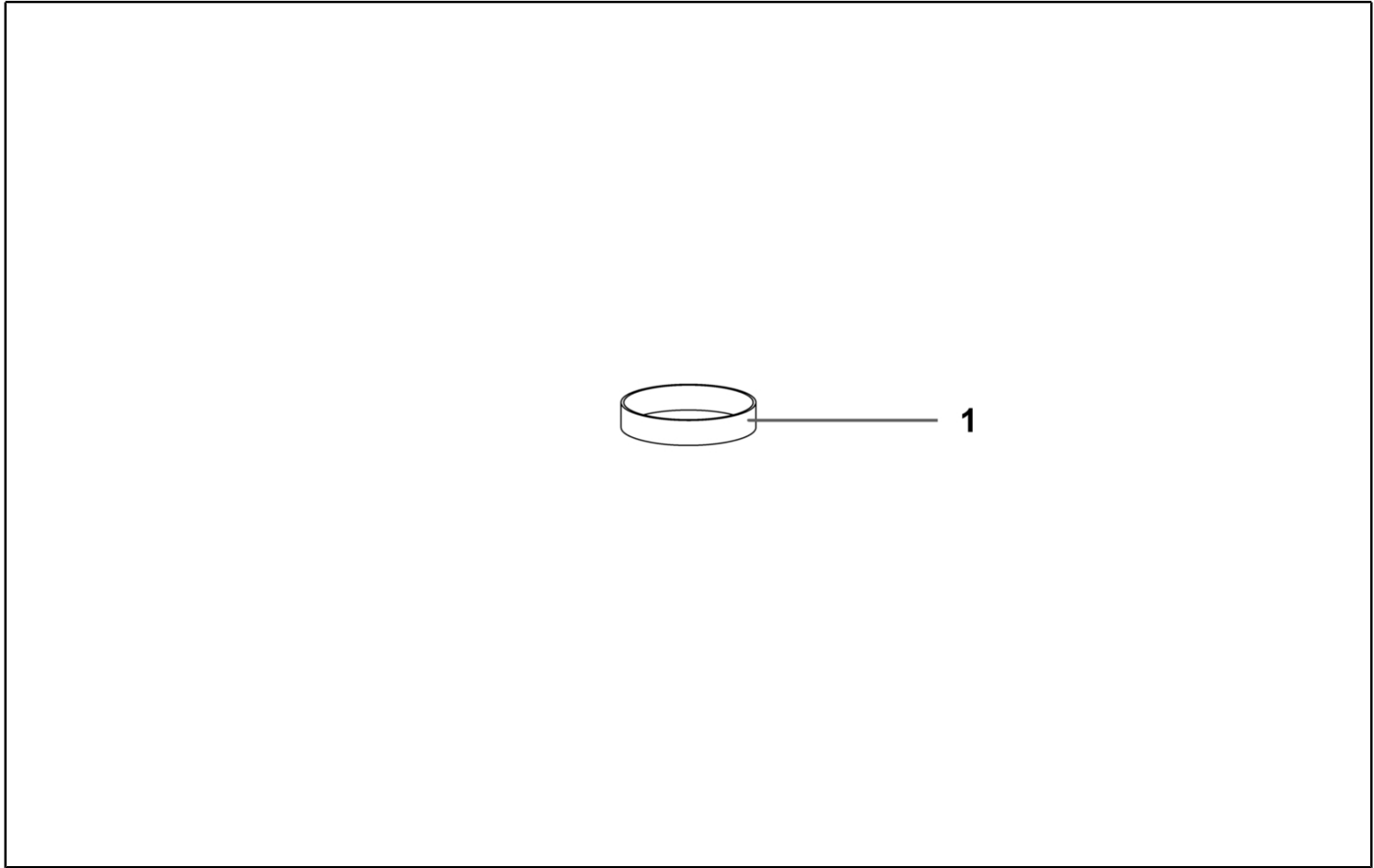
Ref. K	Part n.	Part n. 2	Description	Quantity	Validity		Price
					From	To	
0001	GUVR40021		CONVEYOR GASKET 600 A	1,20			--



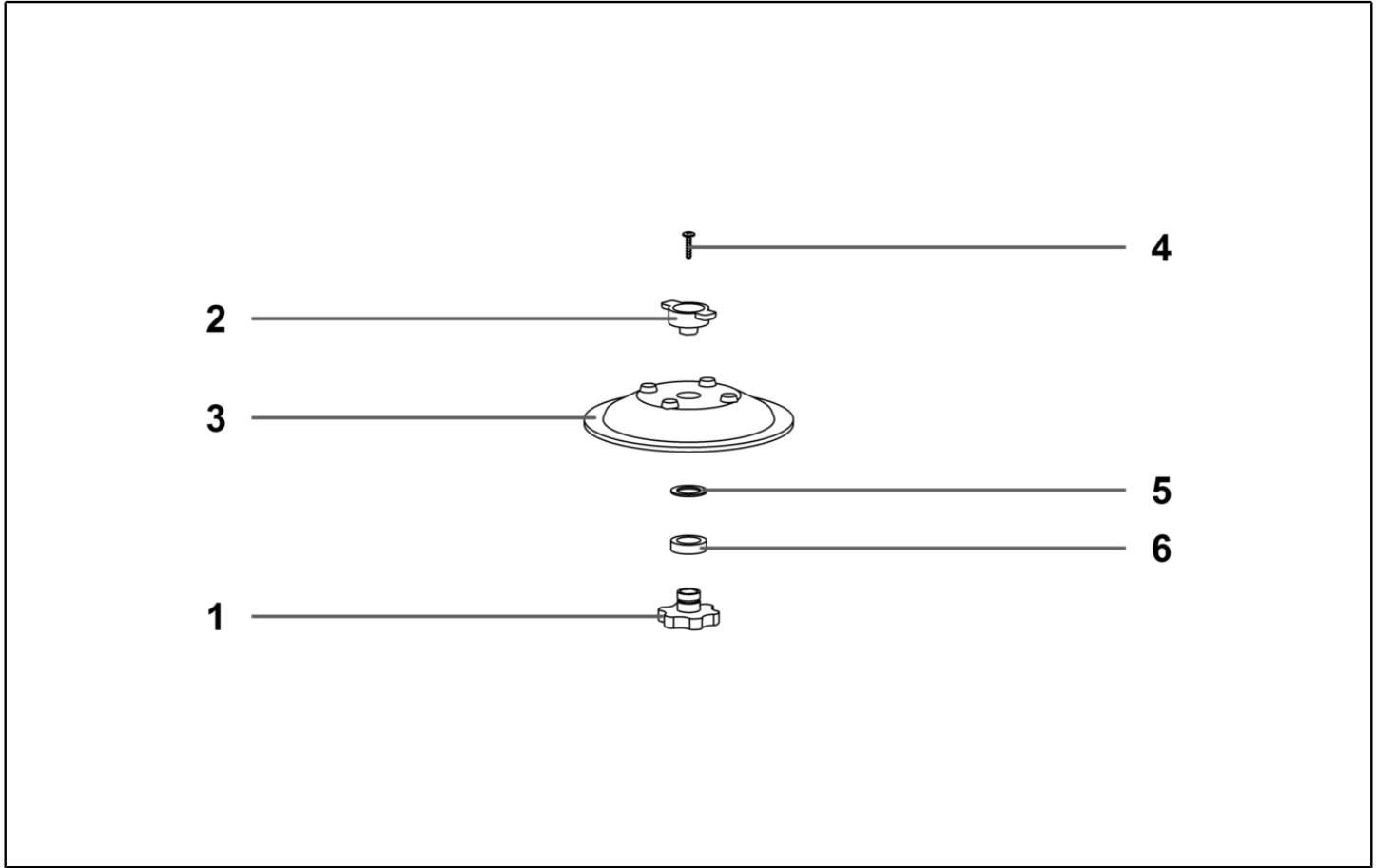
Ref. K	Part n.	Part n. 2	Description	Quantity	Validity		Price
					From	To	
0001	VTVT36751		SCREW SCREW PAT TMT PHL 5X25	1,00			--
0001	VTVT36751		SCREW SCREW PAT TMT PHL 5X25	1,00			--



Ref. K	Part n.	Part n. 2	Description	Quantity	Validity		Price
					From	To	
0001	FTDP28843		CARTRIDGE HEPA ALT.=125 H13	1,00			--
0001	FTDP28843		CARTRIDGE HEPA ALT.=125 H13	1,00			--

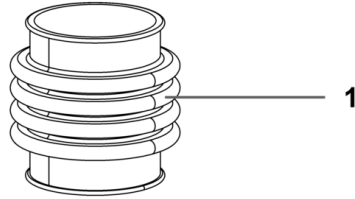


Ref. K	Part n.	Part n. 2	Description	Quantity	Validity		Price
					From	To	
0001	CNPR00407		ELASTIC D.75X15 H	1,00			--
0001	CNPR00407		ELASTIC D.75X15 H	1,00			--



Ref. K	Part n.	Part n. 2	Description	Quantity	Validity		Price
					From	To	
0001	MPVR07254		KNOB RAPID ATTACK	1,00			--
0002	MPVR07253		HOOKING RAPID ATTACK	1,00			--
0003	MPVR06630		DISC FILTER SUPPORT	1,00			--
0004	VTVT71961		SCREW PFU TMT PHL 5X20 ZN NERA	1,00			--
0005	VTRS00418		WASHER P.P. 30X20X1,5	1,00			--
0006	VTRS00419		WASHER SPONGE RUBBER 30X20X8	1,00			--





Ref. K	Part n.	Part n. 2	Description	Quantity	Validity		Price
					From	To	
0001	MPVR06690		PROTECTOR D.80	1,00			--
0001	MPVR06690		PROTECTOR D.80	1,00			--



Ref. K	Part n.	Part n. 2	Description	Quantity	Validity		Price
					From	To	
0001	FSVR72169		CLAMP 8M 78/98	1,00			--
0001	FSVR72169		CLAMP 8M 78/98	1,00			--