

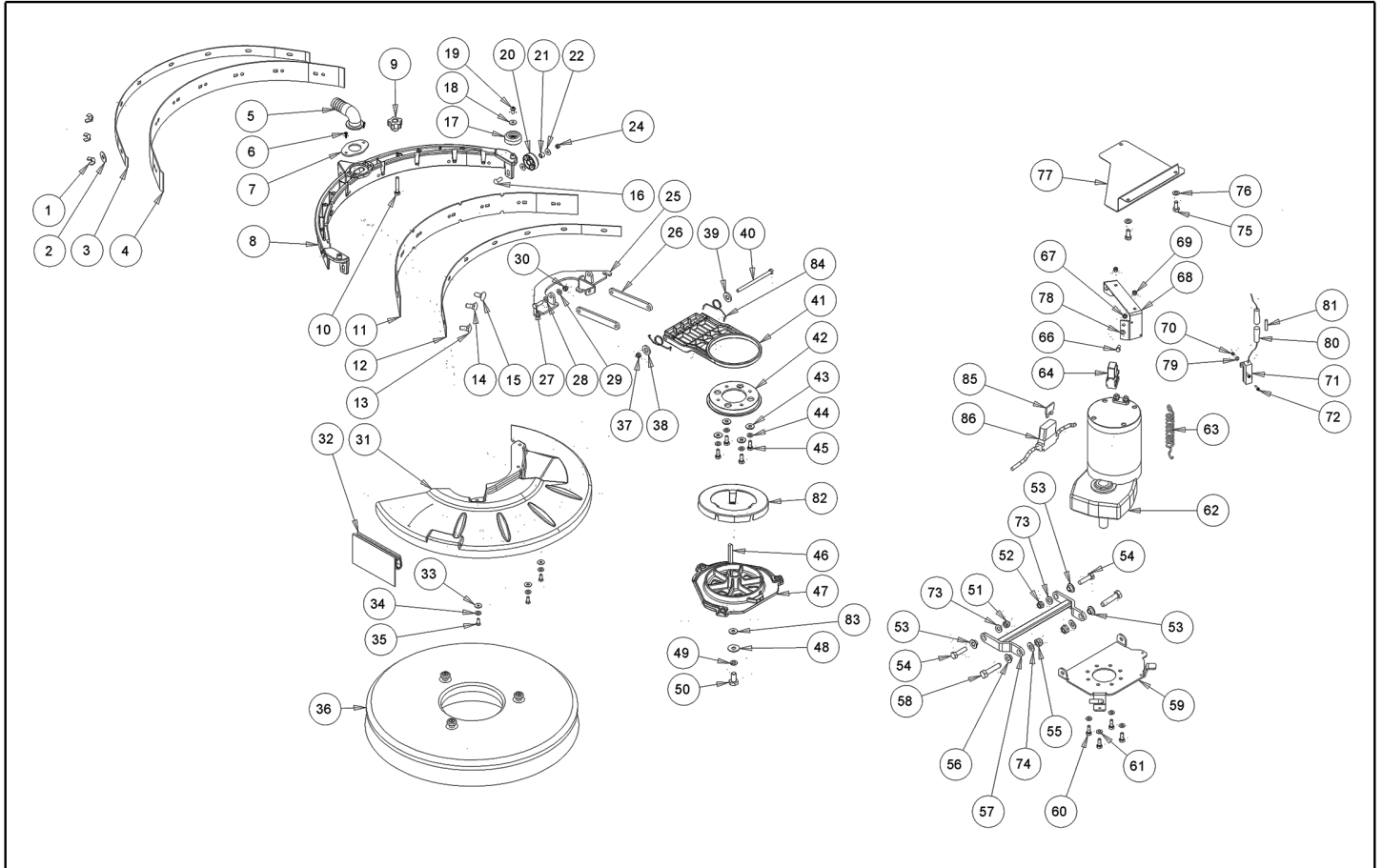


**IPC**

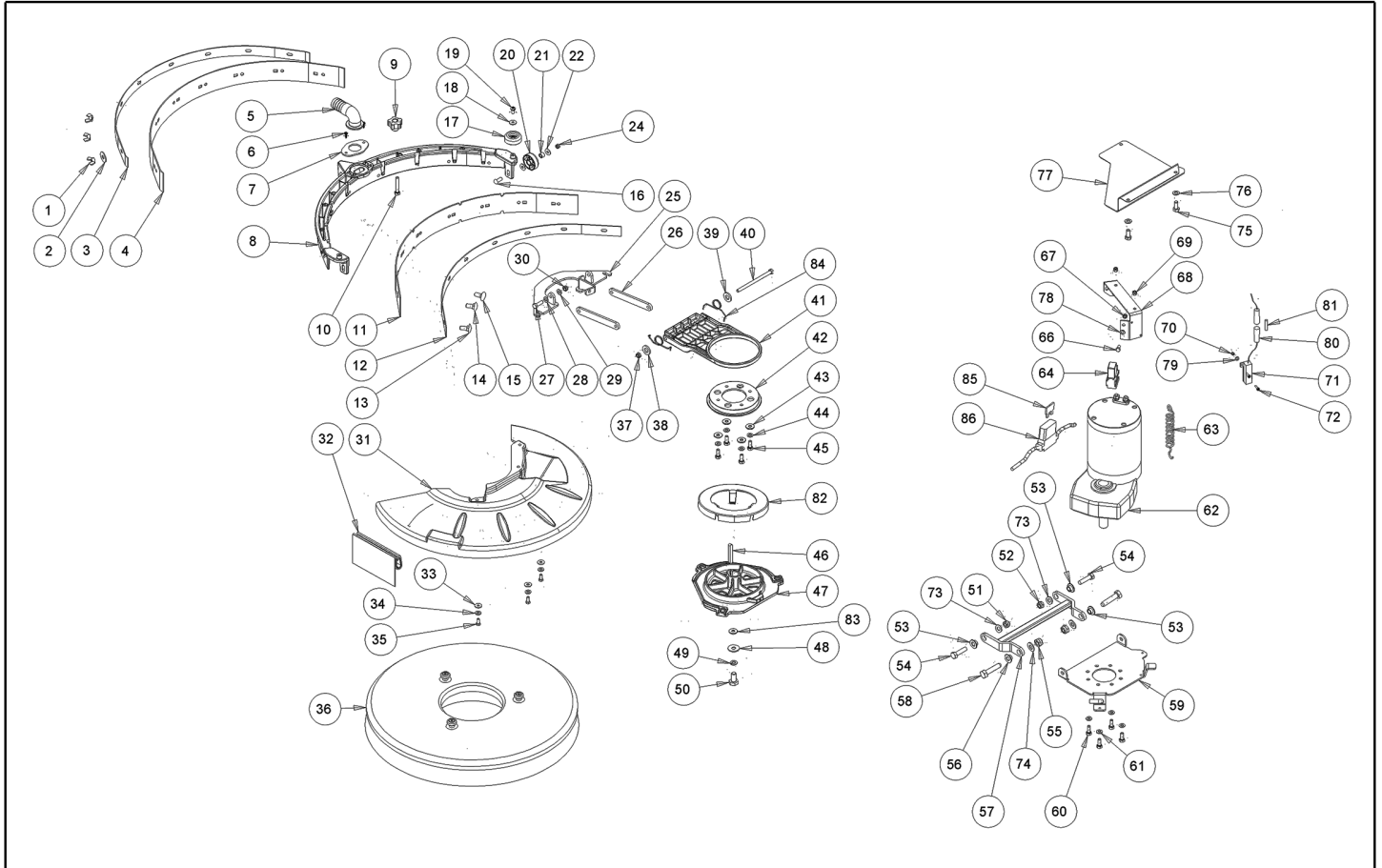
**Spare parts list**

Ref: LPTB01534

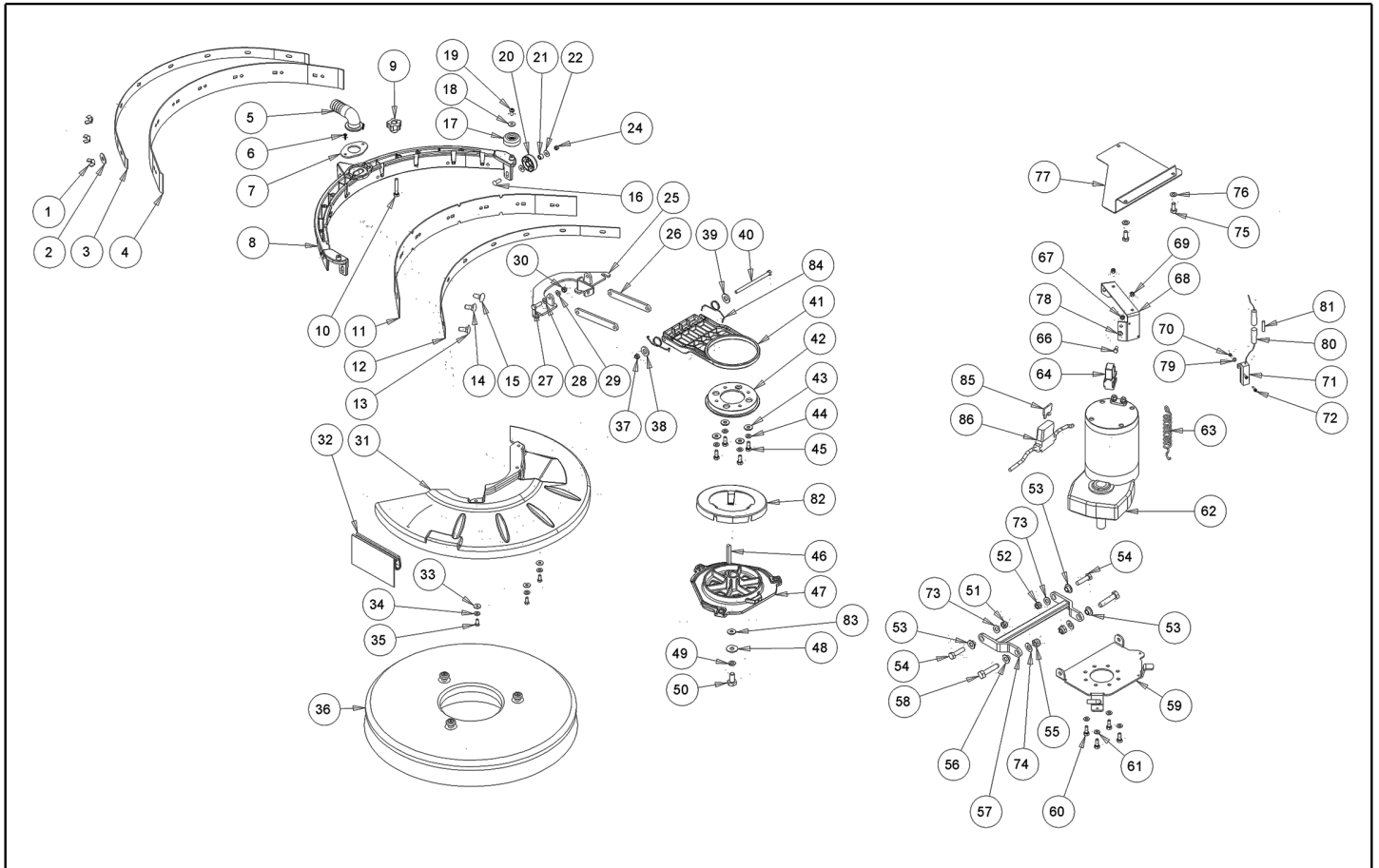
Model: FLOOR WASHER CT30 B45 ECO+BAT SPZ.0,5



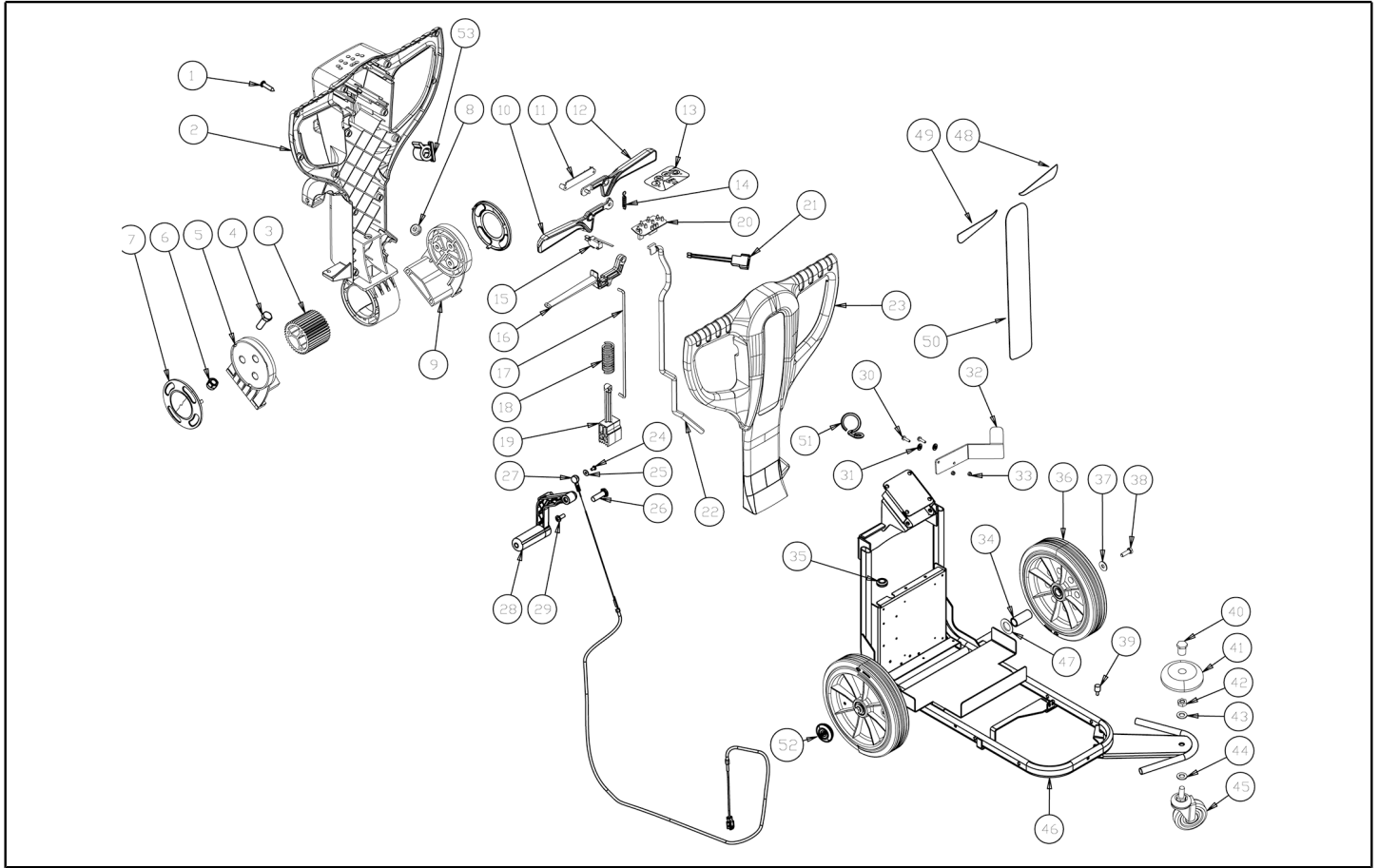
| Ref. K | Part n.   | Part n. 2 | Description                       | Quantity | Validity   |            | Price |
|--------|-----------|-----------|-----------------------------------|----------|------------|------------|-------|
|        |           |           |                                   |          | From       | To         |       |
| 0001   | VTDD00522 |           | NUT M5                            | 6,00     |            |            | --    |
| 0002   | VTRS13750 |           | WASHER D. 5X14 INX                | 6,00     |            |            | --    |
| 0003   | LAFN07908 |           | BRACKET -                         | 1,00     |            |            | --    |
| 0004   | MPVR05954 |           | FLAP SQUEEGEE REAR CT30           | 1,00     |            |            | --    |
| 0005   | MPVR05831 |           | CONNECTOR ELBOW FITTING CT15-CT30 | 1,00     |            |            | --    |
| 0006   | VTVT48694 |           | SCREW TCB TC 5 X12 UNI 9707 TZ    | 2,00     |            |            | --    |
| 0007   | LAFN08890 |           | FLANGE SQUEEGEE HELBOW            | 1,00     |            |            | --    |
| 0008   | MPVR05914 |           | FLOOR WIPER YELLOW RAL1021        | 1,00     |            |            | --    |
| 0009   | MPVR05842 |           | SMALL KNOB -                      | 2,00     |            |            | --    |
| 0010   | VTVT15515 |           | SCREW TE M 6X 50 INOX A2          | 2,00     |            |            | --    |
| 0011   | MPVR05953 |           | FLAP SQUEEGEE FRONT CT30          | 1,00     |            |            | --    |
| 0012   | LAFN07907 |           | BRACKET -                         | 1,00     |            |            | --    |
| 0013   | VTVT01690 |           | SCREW M5x25                       | 2,00     |            |            | --    |
| 0014   | VTVT01691 |           | SCREW M5x35                       | 2,00     |            |            | --    |
| 0015   | VTVT01691 |           | SCREW M5x35                       | 2,00     |            |            | --    |
| 0016   | VTVT01693 |           | SCREW M5x20                       | 3,00     |            |            | --    |
| 0017   | MPVR05832 |           | WHEEL -                           | 2,00     |            |            | --    |
| 0018   | VTRS13750 |           | WASHER D. 5X14 INX                | 2,00     |            |            | --    |
| 0019   | VTVT48694 |           | SCREW TCB TC 5 X12 UNI 9707 TZ    | 2,00     |            |            | --    |
| 0020   | MPVR05832 |           | WHEEL -                           | 3,00     |            |            | --    |
| 0021   | LAFN08913 |           | BUSHING -                         | 3,00     |            |            | --    |
| 0022   | VTRS13750 |           | WASHER D. 5X14 INX                | 6,00     |            |            | --    |
| 0024   | VTDD01693 |           | NUT M 5 INX                       | 3,00     |            |            | --    |
| 0025   | LAFN07903 |           | SUPPORT -                         | 1,00     |            |            | --    |
| 0026   | LAFN07902 |           | ARM -                             | 2,00     |            |            | --    |
| 0027   | VTVT13939 |           | SCREW TE 6X20 UNI5739 INX         | 2,00     |            |            | --    |
| 0028   | VTRS00245 |           | WASHER D.6 UNI 6592 INOX          | 2,00     |            |            | --    |
| 0029   | VTRS00245 |           | WASHER D.6 UNI 6592 INOX          | 2,00     |            |            | --    |
| 0030   | VTDD01694 |           | NUT M6 INOX                       | 2,00     |            |            | --    |
| 0031   | MPVR05916 |           | COVER BRUSH HEAD CT30             | 1,00     |            |            | --    |
| 0032   | MPVR05966 |           | FLAP BRUSH SKIRT CT30             | 1,00     |            |            | --    |
| 0033   | VTRS13750 |           | WASHER D. 5X14 INX                | 3,00     |            |            | --    |
| 0034   | VTRS15908 |           | WASHER D. 5 INX GRW UNI 1751      | 3,00     |            |            | --    |
| 0035   | VTVT01300 |           | SCREW TE M5X12 INOX               | 3,00     |            |            | --    |
| 0036   | SPPV01308 |           | BRUSH CT30                        | 1,00     |            | 29/04/2013 | --    |
| 0036   | SPPV01188 |           | BRUSH CT30 NEW                    | 1,00     | 30/04/2013 | 29/10/2020 | --    |
| 0036   | SPPV02665 |           | BRUSH APC D.460 SMUS.100° CT30    | 1,00     | 30/10/2020 |            | --    |
| 0037   | VTDD01694 |           | NUT M6 INOX                       | 1,00     |            |            | --    |
| 0038   | VTRS00245 |           | WASHER D.6 UNI 6592 INOX          | 1,00     |            | 27/01/2015 | --    |
| 0038   | VTRS13945 |           | WASHER D. 6X18 INX UNI 6593       | 1,00     | 28/01/2015 |            | --    |
| 0039   | VTRS00245 |           | WASHER D.6 UNI 6592 INOX          | 1,00     |            | 27/01/2015 | --    |
| 0039   | VTRS13945 |           | WASHER D. 6X18 INX UNI 6593       | 1,00     | 28/01/2015 |            | --    |
| 0040   | VTVT01692 |           | SCREW M6X125                      | 1,00     |            | 27/01/2015 | --    |
| 0040   | VTVT01385 |           | SCREW M6X140                      | 1,00     | 28/01/2015 |            | --    |



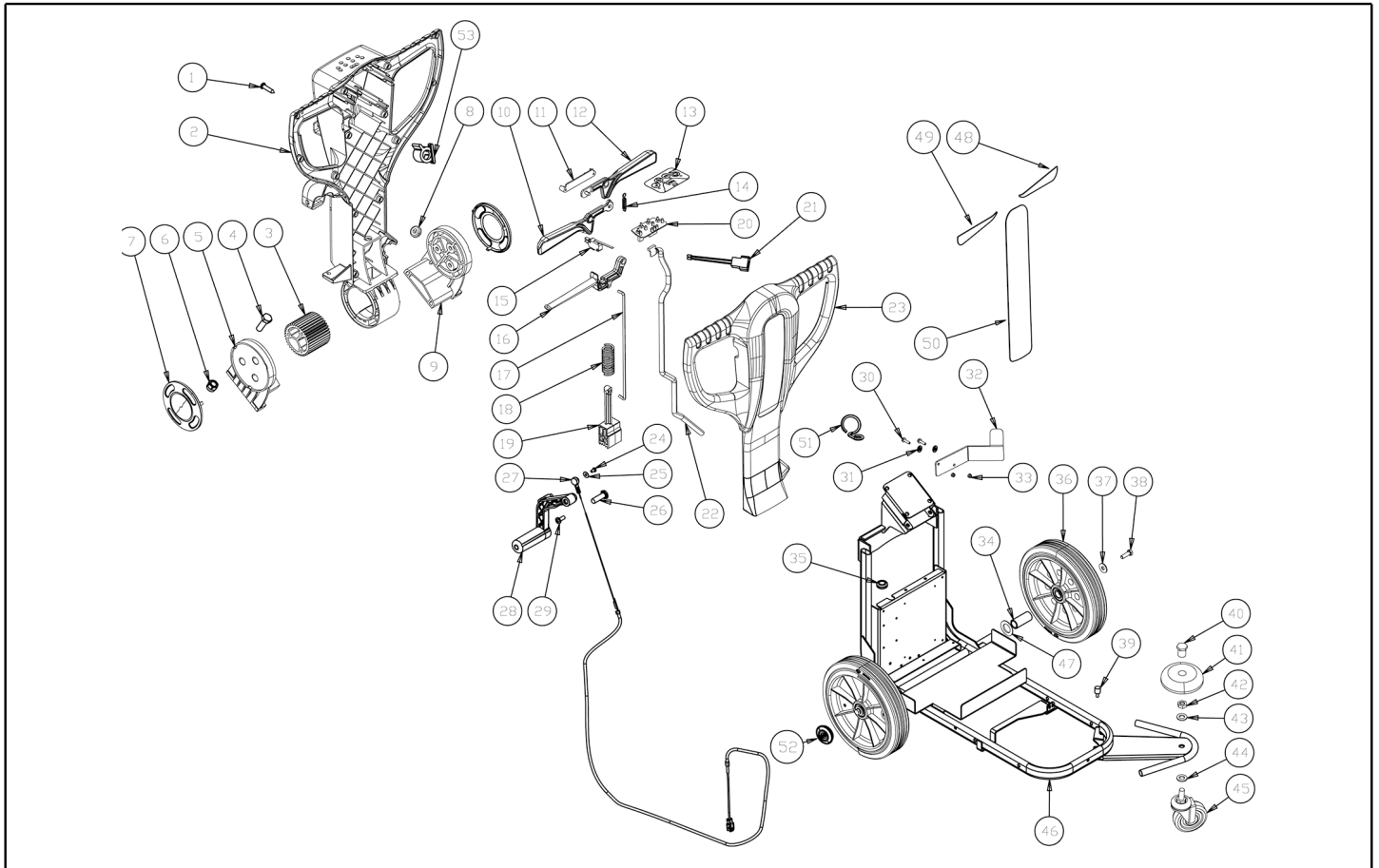
| Ref. K | Part n.   | Part n. 2 | Description                       | Quantity | Validity   |            | Price |
|--------|-----------|-----------|-----------------------------------|----------|------------|------------|-------|
|        |           |           |                                   |          | From       | To         |       |
| 0041   | MPVR05829 |           | SUPPORT -                         | 1,00     |            | 27/01/2015 | --    |
| 0041   | MPVR07158 |           | SUPPORT SQUEEGEE ROTATION CT15-30 | 1,00     | 28/01/2015 |            | --    |
| 0042   | MPVR05830 |           | BRACKET -                         | 1,00     |            | 27/01/2015 | --    |
| 0042   | MPVR07161 |           | BRACKET -                         | 1,00     | 28/01/2015 |            | --    |
| 0043   | VTRS13945 |           | WASHER D. 6X18 INX UNI 6593       | 4,00     |            |            | --    |
| 0044   | VTRS15144 |           | WASHER D. 6 INX GRW UNI 1751      | 4,00     |            |            | --    |
| 0045   | VTVT13939 |           | SCREW TE 6X20 UNI5739 INX         | 4,00     |            |            | --    |
| 0046   | VTVR16617 |           | KEY 6X 6X30 UNI 6604              | 1,00     |            |            | --    |
| 0047   | MFVR00212 |           | DRIVE DISK ALUMINIUM              | 1,00     |            | 08/12/2020 | --    |
| 0047   | MFVR00242 |           | DRIVE DISK CONICAL ALUMINIUM      | 1,00     | 09/12/2020 |            | --    |
| 0048   | VTRS13946 |           | WASHER D. 8 X24 INX UNI 6593      | 1,00     |            |            | --    |
| 0049   | VTRS15146 |           | WASHER GROVER A2 UNI1751          | 1,00     |            |            | --    |
| 0050   | VTVT13938 |           | SCREW TE 8X20 UNI5739 INX         | 1,00     |            |            | --    |
| 0051   | VTDD01695 |           | NUT M 8 INX                       | 1,00     |            |            | --    |
| 0052   | VTDD01695 |           | NUT M 8 INX                       | 1,00     |            |            | --    |
| 0053   | LAFN06391 |           | BUSHING BRUSH DECK SUPPORT        | 3,00     |            |            | --    |
| 0054   | VTVT00410 |           | SCREW TE M8x35 UNI5739 INOX       | 2,00     |            | 14/04/2014 | --    |
| 0054   | VTVT01378 |           | SCREW TBEI M8X35                  | 2,00     | 15/04/2014 |            | --    |
| 0055   | VTDD01695 |           | NUT M 8 INX                       | 2,00     |            |            | --    |
| 0056   | LAFN51068 |           | BUSHING LEVA POSTER.              | 1,00     |            |            | --    |
| 0057   | LAFN07910 |           | BRACKET -                         | 1,00     |            |            | --    |
| 0058   | VTVT15907 |           | SCREW TE 8X25 UNI5739 INX         | 2,00     |            | 14/04/2014 | --    |
| 0058   | VTVT01195 |           | SCREW TBEI M 8X 25 ISO 7380 IX    | 2,00     | 15/04/2014 |            | --    |
| 0059   | LAFN07905 |           | SUPPORT BRUSH MOTOR CT30-45       | 1,00     |            |            | --    |
| 0060   | VTVT15906 |           | SCREW TE 6X 12 A2 UNI 5739        | 4,00     |            |            | --    |
| 0061   | VTRS15144 |           | WASHER D. 6 INX GRW UNI 1751      | 4,00     |            |            | --    |
| 0062   | MOCC00406 |           | MOTOR BRUSH CT30B                 | 1,00     |            | 27/03/2013 | --    |
| 0062   | MOCC00431 |           | MOTOR BRUSH COMPLETE 24V 400W     | 1,00     | 28/03/2013 |            | --    |
| 0063   | MLML00065 |           | SPRING L0=80 De=12 Df=1.7         | 1,00     |            | 29/10/2013 | --    |
| 0063   | MLML00340 |           | SPRING -                          | 1,00     | 30/10/2013 |            | --    |
| 0064   | MECI00005 |           | RELAY 24V 10/20A                  | 1,00     |            | 13/09/2015 | --    |
| 0066   | VTVT34115 |           | SCREW TE M 5X 10 UNI 5739         | 1,00     |            | 13/09/2015 | --    |
| 0067   | VTDD01693 |           | NUT M 5 INX                       | 1,00     |            | 13/09/2015 | --    |
| 0068   | LAFN07906 |           | BRACKET -                         | 1,00     |            |            | --    |
| 0069   | VTDD00128 |           | SELF-LOCJ.NUT M5                  | 2,00     |            |            | --    |
| 0070   | VTDD21115 |           | NUT M 3 INOX                      | 2,00     |            | 13/09/2015 | --    |
| 0071   | MEVR02066 |           | RESISTANCE 3,3ohm 50W             | 1,00     |            | 13/09/2015 | --    |
| 0072   | VTVT00743 |           | SCREW TC+ M. 3-8                  | 2,00     |            | 13/09/2015 | --    |
| 0073   | VTRS13947 |           | WASHER D. 8 INX UNI 6592          | 2,00     |            |            | --    |
| 0074   | VTRS13947 |           | WASHER D. 8 INX UNI 6592          | 4,00     |            |            | --    |
| 0075   | VTVT34115 |           | SCREW TE M 5X 10 UNI 5739         | 3,00     |            |            | --    |
| 0076   | VTRS13750 |           | WASHER D. 5X14 INX                | 3,00     |            |            | --    |
| 0077   | MPVR05957 |           | PROTECTION -                      | 1,00     |            |            | --    |
| 0078   | VTRS13750 |           | WASHER D. 5X14 INX                | 1,00     |            | 13/09/2015 | --    |



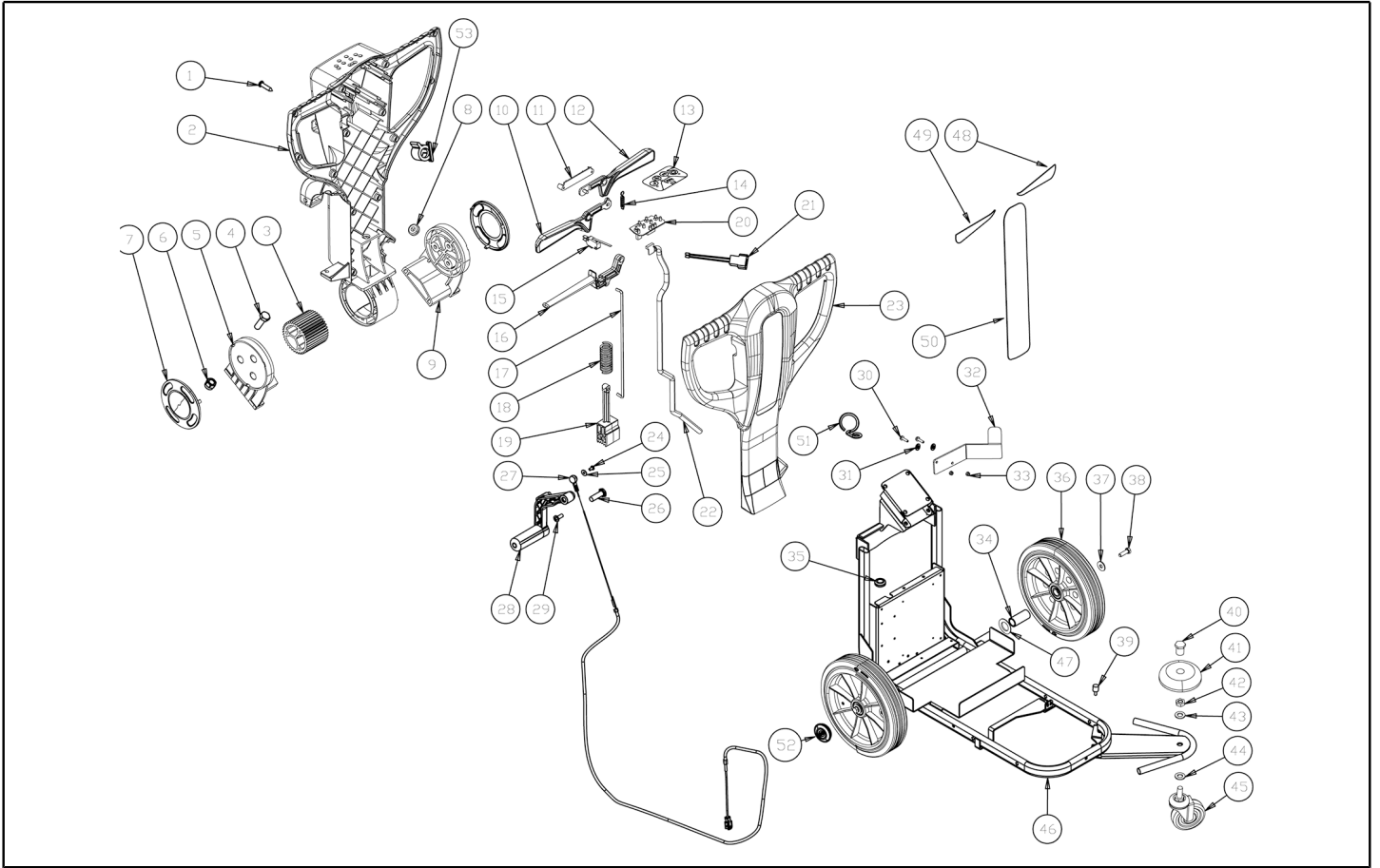
| Ref. K | Part n.   | Part n. 2 | Description               | Quantity | Validity   |            | Price |
|--------|-----------|-----------|---------------------------|----------|------------|------------|-------|
|        |           |           |                           |          | From       | To         |       |
| 0079   | VTRS27296 |           | WASHER GROWER 3 ZNT       | 2,00     |            | 13/09/2015 | --    |
| 0080   | MEVR00080 |           | FUSE-HOLDER PV610 10A     | 1,00     | 02/03/2012 | 13/09/2015 | --    |
| 0081   | MEVR01747 |           | FUSE 6X32 3A T            | 1,00     | 02/03/2012 | 13/09/2015 | --    |
| 0082   | MPVR06045 |           | CONVEYOR -                | 1,00     |            | 15/09/2017 | --    |
| 0083   | VTRS13947 |           | WASHER D. 8 INX UNI 6592  | 1,00     | 01/11/2014 |            | --    |
| 0084   | MLML00343 |           | SPRING -                  | 2,00     | 28/01/2015 |            | --    |
| 0085   | MEVR01136 |           | FUSE 30A                  | 1,00     |            |            | --    |
| 0086   | MECB01384 |           | WIRING COMPLETE CT30-45 B | 1,00     |            |            | --    |



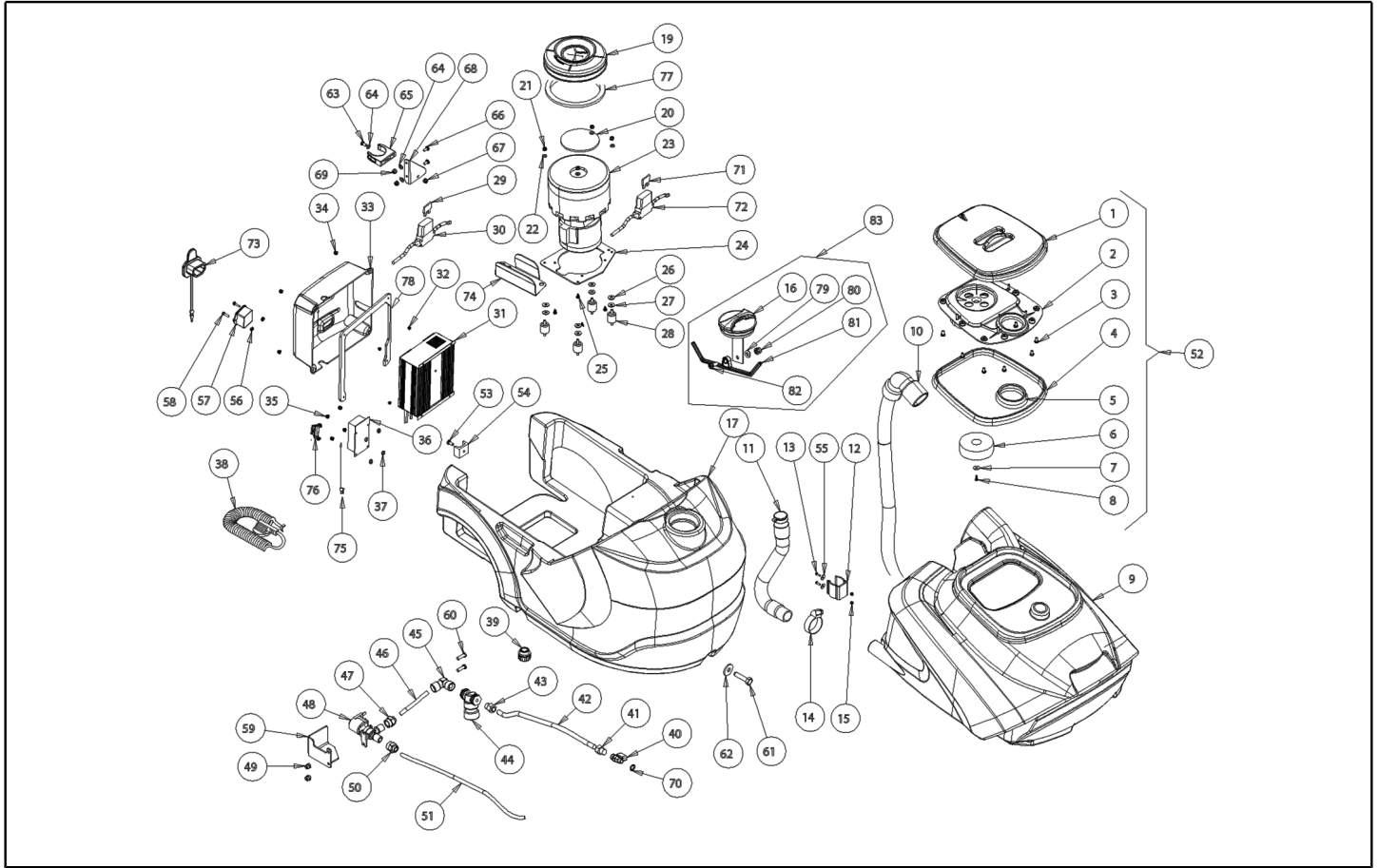
| Ref. K | Part n.     | Part n. 2 | Description                         | Quantity | Validity   |            | Price |
|--------|-------------|-----------|-------------------------------------|----------|------------|------------|-------|
|        |             |           |                                     |          | From       | To         |       |
| 0001   | VTVT01371   |           | SCREW 4,8X19                        | 14,00    |            |            | --    |
| 0002   | MPVR06047   |           | SHELL REAR HANDLE CT15-30-45        | 1,00     |            |            | --    |
| 0003   | MPVR06056   |           | GEAR -                              | 1,00     |            |            | --    |
| 0004   | VTVT75724   |           | SCREW TBCE ISO 7380 8X22 ZB         | 4,00     |            |            | --    |
| 0005   | MPVR06053   |           | SHELL DX                            | 1,00     |            |            | --    |
| 0006   | VTDD00124   |           | NUT M8 DIN985                       | 4,00     |            |            | --    |
| 0007   | MPVR06055   |           | COVER -                             | 2,00     |            |            | --    |
| 0008   | MPVR06057   |           | FAIR-LEAD HANDLE CT15               | 1,00     |            |            | --    |
| 0009   | MPVR06054   |           | SHELL SX                            | 1,00     |            |            | --    |
| 0010   | MPVR06049   |           | LEVER DX                            | 1,00     |            |            | --    |
| 0011   | MPVR06298   |           | SUPPORT ELECTRONIC CARD             | 1,00     |            |            | --    |
| 0012   | MPVR06048   |           | LEVER SX                            | 1,00     |            |            | --    |
| 0013   | ETET01780   |           | LABEL -                             | 1,00     |            | 13/09/2015 | --    |
| 0013   | ETET01842   |           | LABEL DASHBOARD CT15-30-45 ECO      | 1,00     | 14/09/2015 |            | --    |
| 0014   | MLML00336   |           | SPRING -                            | 1,00     |            |            | --    |
| 0015   | MECI36393   |           | MICROSWITCH ACTIVATION TRCTN.       | 1,00     |            |            | --    |
| 0016   | MPVR06050   |           | LEVER ADJUSTMENT                    | 1,00     |            |            | --    |
| 0017   | KTRI02273   |           | KIT HANDLE ADJUST ROD               | 1,00     |            |            | --    |
| 0018   | MLML00337   |           | SPRING -                            | 1,00     |            |            | --    |
| 0019   | MPVR06052   |           | HANDLE SUPPORT                      | 1,00     |            |            | --    |
| 0020   | MECE00554   |           | BOARD LOGIC CT30 24V                | 1,00     |            | 13/09/2015 | --    |
| 0020   | S MECE00605 |           | BOARD LOGIC CT30 24V                | 1,00     | 14/09/2015 | 15/06/2016 | --    |
| 0020   | MECE00740   |           | BOARD LOGIC CT15-30-45-46 B         | 1,00     | 16/06/2016 |            | --    |
| 0021   | MECB01325   |           | WIRING PUSH BOTTON CT45 B           | 1,00     |            | 13/09/2015 | --    |
| 0021   | MECB01324   |           | WIRING PUSH BOTTON CT45 C           | 1,00     | 14/09/2015 |            | --    |
| 0022   | MECB01326   |           | WIRING FLAT CABLE CT45              | 1,00     |            | 13/09/2015 | --    |
| 0022   | MECB01257   |           | CABLE RIBBON CT15                   | 1,00     | 14/09/2015 | 25/11/2015 | --    |
| 0022   | MECB01396   |           | WIRING RIBBON ROUND FLAT CT15-30    | 1,00     | 26/11/2015 |            | --    |
| 0023   | MPVR06046   |           | CRANKCASE NEW HANDLE FRONT 15-30-45 | 1,00     |            |            | --    |
| 0024   | VTVT00800   |           | SCREW TC 4X12 ZN                    | 1,00     |            |            | --    |
| 0025   | VTRS00251   |           | WASHER 4-16 INOX A2                 | 1,00     |            |            | --    |
| 0026   | LAFN09248   |           | PIN -                               | 1,00     |            |            | --    |
| 0027   | CMCV00463   |           | CABLE LIFTING SQUEEGEE CT15-30      | 1,00     |            |            | --    |
| 0028   | MPVR49942   |           | LEVER SQUEEGEE LIFTING PP           | 1,00     |            |            | --    |
| 0029   | VTVT00796   |           | SCREW TC 6X12                       | 1,00     |            |            | --    |
| 0030   | VTVT15143   |           | SCREW TE 6X16 UNI5739               | 2,00     |            |            | --    |
| 0031   | VTRS00245   |           | WASHER D.6 UNI 6592 INOX            | 2,00     |            |            | --    |
| 0032   | LAFN09171   |           | BRACKET -                           | 1,00     |            |            | --    |
| 0033   | VTDD01694   |           | NUT M6 INOX                         | 2,00     |            |            | --    |
| 0034   | LAFN09154   |           | BUSHING CT30                        | 2,00     |            | 22/06/2016 | --    |
| 0034   | LAFN11016   |           | SPACER -                            | 2,00     | 23/06/2016 |            | --    |
| 0035   | MEVR00686   |           | FAIR-LEAD DIAMETER 15.5             | 1,00     |            | 03/12/2017 | --    |
| 0036   | RTRT00537   |           | WHEEL GRAY d.250 CT15-30-45         | 2,00     |            |            | --    |
| 0037   | VTRS00512   |           | WASHER D. 8 X24 ZC.                 | 2,00     |            |            | --    |



| Ref. K | Part n.   | Part n. 2 | Description                     | Quantity | Validity   |            | Price |
|--------|-----------|-----------|---------------------------------|----------|------------|------------|-------|
|        |           |           |                                 |          | From       | To         |       |
| 0038   | VTVT01110 |           | SCREW TE 8X16 UNI5739           | 2,00     |            |            | --    |
| 0039   | MPVR05967 |           | CAP -                           | 1,00     |            |            | --    |
| 0040   | LAFN09172 |           | BUSHING -                       | 1,00     |            |            | --    |
| 0041   | MPVR05965 |           | WHEEL SIDE BUMPER CT30-45       | 1,00     |            |            | --    |
| 0042   | VTDD00502 |           | NUT M12                         | 1,00     |            |            | --    |
| 0043   | VTRS15978 |           | WASHER D.12X24 UNI 6592 INX     | 1,00     |            | 19/02/2015 | --    |
| 0043   | VTRS09142 |           | WASHER UNI 6593 12X36X2,5       | 1,00     | 20/02/2015 |            | --    |
| 0044   | VTRS15978 |           | WASHER D.12X24 UNI 6592 INX     | 1,00     |            | 19/02/2015 | --    |
| 0044   | VTRS09142 |           | WASHER UNI 6593 12X36X2,5       | 1,00     | 20/02/2015 |            | --    |
| 0045   | RTRT00544 |           | WHEEL D.80MXHC                  | 1,00     |            | 24/01/2017 | --    |
| 0045   | RTRT00632 |           | WHEEL 080 MXHC M12X30 2K SUPP.6 | 1,00     | 25/01/2017 |            | --    |
| 0046   | LAFN07901 |           | FRAME -                         | 1,00     |            |            | --    |
| 0047   | VTRS00364 |           | THICKNESS 18X25X1               | 4,00     | 04/09/2015 | 22/06/2016 | --    |
| 0048   | ETET01775 |           | LABEL CT15 BLUE                 | 1,00     |            |            | --    |
| 0048   | ETET01773 |           | LABEL CT15 RED                  | 1,00     |            |            | --    |
| 0048   | ETET01770 |           | LABEL CT15 GREEN                | 1,00     |            |            | --    |
| 0049   | ETET01775 |           | LABEL CT15 BLUE                 | 1,00     |            |            | --    |
| 0049   | ETET01773 |           | LABEL CT15 RED                  | 1,00     |            |            | --    |
| 0049   | ETET01770 |           | LABEL CT15 GREEN                | 1,00     |            |            | --    |
| 0050   | ETET01774 |           | LABEL CT15 BLUE                 | 1,00     |            |            | --    |
| 0050   | ETET01772 |           | LABEL CT15 RED                  | 1,00     |            |            | --    |
| 0050   | ETET01769 |           | LABEL CT15 GREEN                | 1,00     |            |            | --    |
| 0051   | LAFN11049 |           | HOOK -                          | 1,00     | 15/04/2016 |            | --    |
| 0052   | MPVR11199 |           | CAP G48                         | 2,00     |            |            | --    |
| 0053   | MPVR12369 |           | BLOCK FLAT CT15-30-45           | 1,00     |            |            | --    |

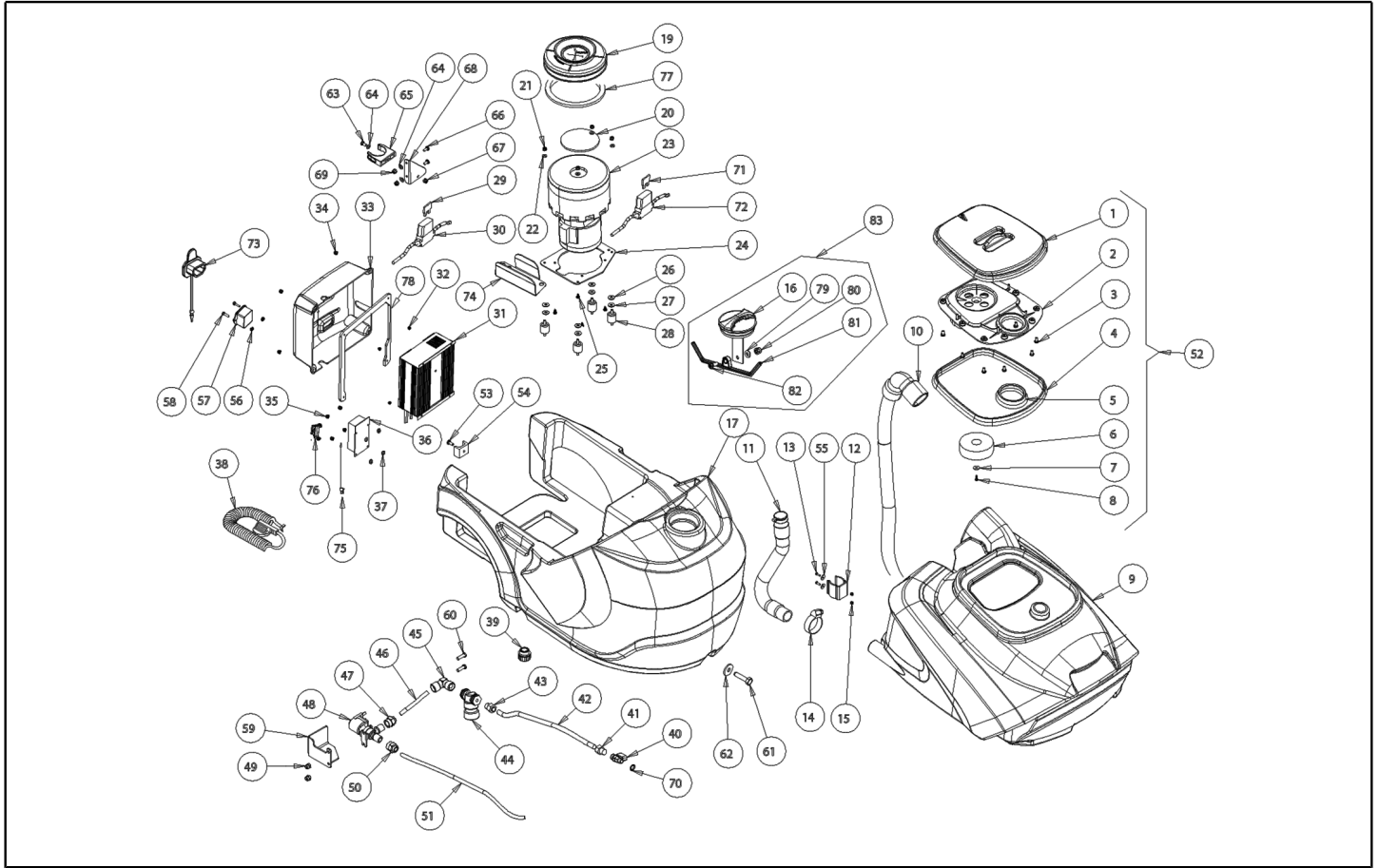


| Ref. Part n. | Part n. 2 | Description                 | Reference | Price |
|--------------|-----------|-----------------------------|-----------|-------|
| KTRI04750    |           | KIT NEW PCB CT30B AND CT45B | 0020      | --    |

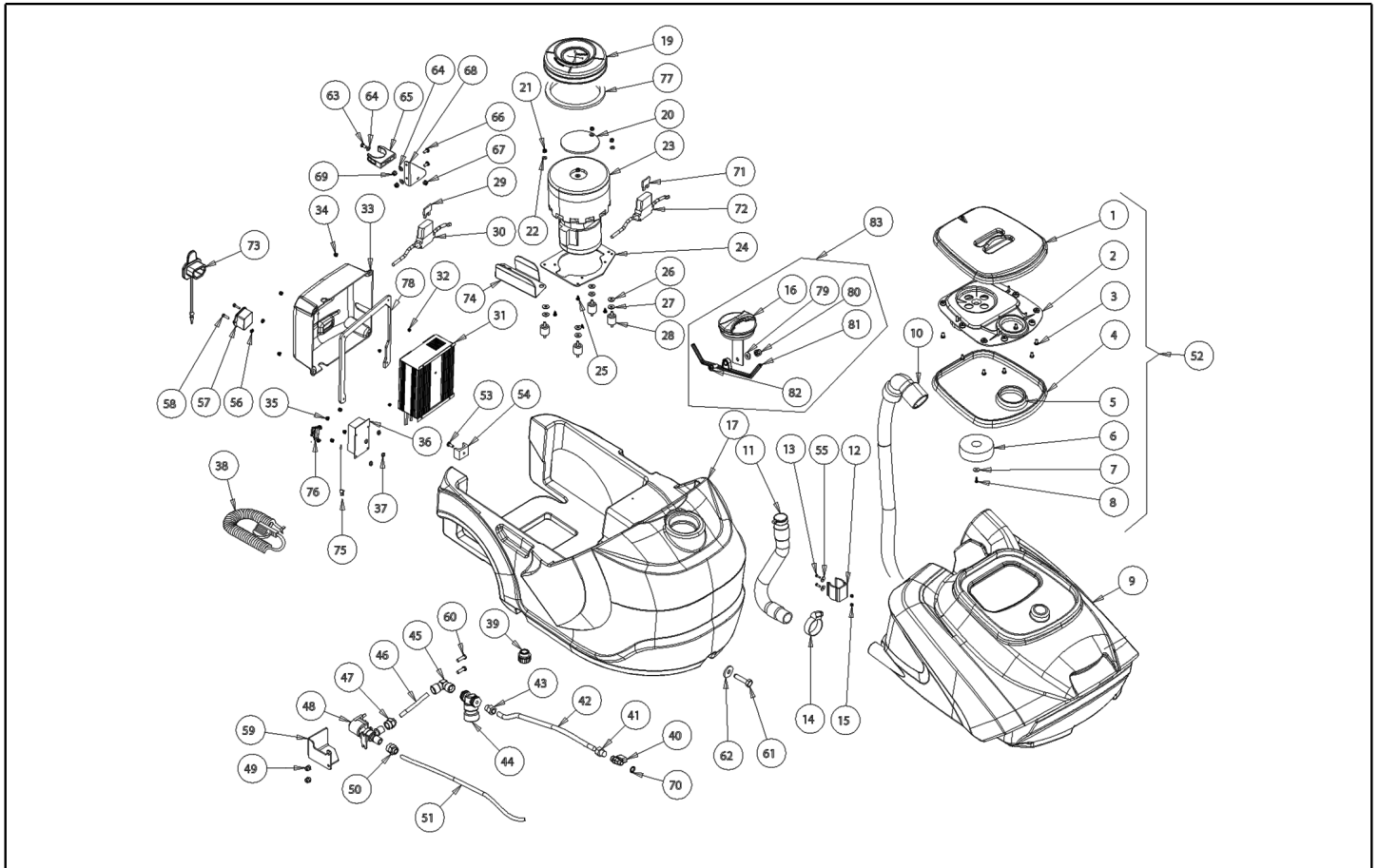


| Ref. K | Part n.     | Part n. 2 | Description                     | Quantity | Validity   |            | Price |
|--------|-------------|-----------|---------------------------------|----------|------------|------------|-------|
|        |             |           |                                 |          | From       | To         |       |
| 0001   | MPVR05825   |           | COVER -                         | 1,00     |            |            | --    |
| 0002   | MPVR05826   |           | COVER INNER LID TANK CT15-30    | 1,00     |            |            | --    |
| 0003   | VTVT01694   |           | SCREW SELF TAPPING 4.8X9.5 SUS  | 8,00     |            |            | --    |
| 0004   | GUVR00306   |           | GASKET RECOVERY TANK LID CT15   | 1,00     |            |            | --    |
| 0005   | GUVR00307   |           | GASKET CT15-30-45 LID,SHORT     | 1,00     |            |            | --    |
| 0006   | MPVR05836   |           | FLOATER RECOVERY TANK LID       | 1,00     |            |            | --    |
| 0007   | VTRS00573   |           | WASHER 30x6x3                   | 1,00     |            |            | --    |
| 0008   | VTVT48694   |           | SCREW TCB TC 5 X12 UNI 9707 TZ  | 1,00     |            |            | --    |
| 0009   | MPVR05912   |           | TANK RECOVERY CT30 PANTONE 368  | 1,00     |            |            | --    |
| 0010   | KTRI04697   |           | KIT REPLACEMENT TBFX00351       | 1,00     |            |            | --    |
| 0011   | TBFX00350   |           | TUBE HOSE DRAIN CT30            | 1,00     |            |            | --    |
| 0012   | MPVR46988   |           | CLIP FIXATION DRAIN HOSE        | 1,00     |            |            | --    |
| 0013   | VTVT29884   |           | SCREW TE UNI 5739 4X16 ZB       | 2,00     |            |            | --    |
| 0014   | FSVR00002   |           | CLAMP EKOFLEX 9 23-35           | 1,00     |            | 08/12/2014 | --    |
| 0014   | FSVR00095   |           | CLAMP 30-45                     | 1,00     | 09/12/2014 |            | --    |
| 0015   | VTDD04369   |           | NUT M 4 TEF UNI 7473            | 2,00     |            |            | --    |
| 0016   | MPVR05188   |           | CAP SOLUTION TANK               | 1,00     |            |            | --    |
| 0017   | MPVR05913   |           | TANK SOLUTION CT30 RAL7024      | 1,00     |            |            | --    |
| 0019   | GUGO00444   |           | GASKET -                        | 1,00     |            | 22/09/2016 | --    |
| 0019   | GUGO00498   |           | GASKET                          | 1,00     | 23/09/2016 | 17/03/2019 | --    |
| 0019   | GUGO00599   |           | GASKET                          | 1,00     | 18/03/2019 |            | --    |
| 0020   | LAFN05830   |           | FILTER VAC.MOTOR SUS            | 1,00     |            |            | --    |
| 0021   | VTDD07727   |           | NUT M 5 INOX                    | 4,00     |            |            | --    |
| 0022   | VTRS15908   |           | WASHER D. 5 INX GRW UNI 1751    | 4,00     |            |            | --    |
| 0023   | MEVR05200   |           | CARBON BRUSH VACUUM 116599-XX   | 2,00     |            |            | --    |
| 0023   | MOCC00397   |           | MOTOR VACUUM CT15-30-45-46      | 1,00     |            |            | --    |
| 0024   | LAFN08894   |           | PLATE -                         | 1,00     |            |            | --    |
| 0025   | VTVT48694   |           | SCREW TCB TC 5 X12 UNI 9707 TZ  | 4,00     |            |            | --    |
| 0026   | VTRS13750   |           | WASHER D. 5X14 INX              | 4,00     |            |            | --    |
| 0027   | VTRS13750   |           | WASHER D. 5X14 INX              | 4,00     |            |            | --    |
| 0028   | ABGO00052   |           | VIBRATION DAMP. -               | 4,00     |            |            | --    |
| 0029   | MEVR02048   |           | FUSE 40A                        | 1,00     |            |            | --    |
| 0030   | MECB01286   |           | WIRING FUSE HOLDER CT30 BATTERY | 1,00     |            |            | --    |
| 0031   | BACA00165   |           | BATTERY-CHARGER 5A CT30 ECO     | 1,00     |            |            | --    |
| 0032   | VTDD00001   |           | NUT UNI 5588 M3 ZB              | 4,00     |            |            | --    |
| 0033   | MPVR05915   |           | COVER -                         | 1,00     |            | 21/07/2014 | --    |
| 0033   | MPVR06234   |           | COVER CT30                      | 1,00     | 22/07/2014 |            | --    |
| 0034   | VTDD04368   |           | NUT M 4 ZIN UNI 5588            | 4,00     |            |            | --    |
| 0035   | VTDD04368   |           | NUT M 4 ZIN UNI 5588            | 4,00     |            |            | --    |
| 0036   | MECE00529   |           | BOARD POWER CT15-CT30           | 1,00     |            | 11/04/2013 | --    |
| 0036   | MECE00578   |           | BOARD POWER CT15-CT30           | 1,00     | 12/04/2013 | 13/09/2015 | --    |
| 0036   | S MECE00606 |           | BOARD POWER CT15-CT30-45        | 1,00     | 14/09/2015 | 05/04/2016 | --    |
| 0036   | MECE00741   |           | BOARD POWER CT45B-BT            | 1,00     | 06/04/2016 | 13/07/2016 | --    |
| 0036   | MECE00742   |           | BOARD POWER CT15-30-45B-BT      | 1,00     | 14/07/2016 | 22/11/2018 | --    |

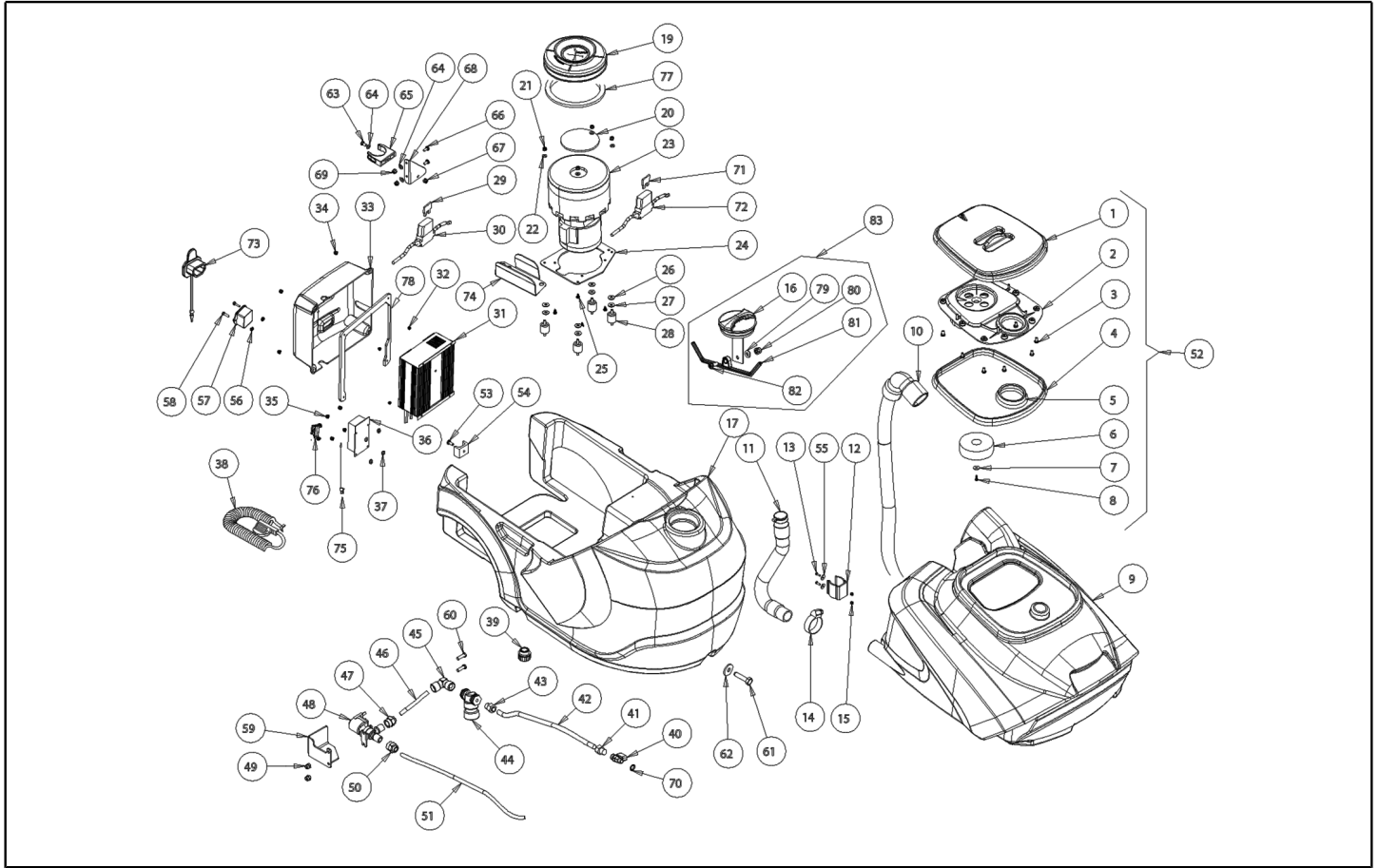




| Ref. K | Part n.   | Part n. 2 | Description                     | Quantity | Validity   |            | Price |
|--------|-----------|-----------|---------------------------------|----------|------------|------------|-------|
|        |           |           |                                 |          | From       | To         |       |
| 0036   | MECE00825 |           | BOARD POWER CT15-30-45B-BT      | 1,00     | 23/11/2018 | 27/03/2019 | --    |
| 0036   | MECE00827 |           | BOARD POWER CT15-30-45B-BT      | 1,00     | 28/03/2019 |            | --    |
| 0037   | VTRS00377 |           | WASHER M4                       | 4,00     |            | 22/11/2018 | --    |
| 0037   | VTRS00501 |           | WASHER D. 4 0.232 UNI 6592      | 4,00     | 23/11/2018 |            | --    |
| 0038   | MECB00922 |           | EXTENSION 3x0,75 SHUKO PLUG     | 1,00     |            |            | --    |
| 0039   | MPVR08003 |           | CAP                             | 1,00     |            | 01/11/2016 | --    |
| 0039   | MPVR10774 |           | CAP 1/2"                        | 1,00     | 02/11/2016 |            | --    |
| 0040   | RCGR00081 |           | VALVE -                         | 1,00     |            |            | --    |
| 0041   | RCVR00770 |           | CONNECTOR 1/8                   | 1,00     |            |            | --    |
| 0042   | TBBP00481 |           | HOSE PUR-ELASTOLAN 98Sh 10x8    | 0,32     |            |            | --    |
| 0043   | RCVR00771 |           | CONNECTOR 1/4                   | 1,00     |            | 10/09/2013 | --    |
| 0043   | RCVR00789 |           | CONNECTOR -                     | 1,00     | 11/09/2013 |            | --    |
| 0044   | FTAC00042 |           | FILTER -                        | 1,00     |            | 28/02/2012 | --    |
| 0044   | FTAC00044 |           | FILTER CT15-CT30                | 1,00     | 29/02/2012 | 13/05/2018 | --    |
| 0044   | FTAC00075 |           | FILTER COMPLETE CT15-30-45 P2.3 | 1,00     | 14/05/2018 |            | --    |
| 0045   | RCVR00773 |           | CONNECTOR 1/4                   | 1,00     |            |            | --    |
| 0046   | TBBP00481 |           | HOSE PUR-ELASTOLAN 98Sh 10x8    | 0,20     |            |            | --    |
| 0047   | RCVR00772 |           | CONNECTOR 1/4                   | 1,00     |            |            | --    |
| 0048   | PMVR01983 |           | SOLENOID VALVE CT30             | 1,00     |            |            | --    |
| 0049   | VTDD00055 |           | NUT M 4 ATB A2                  | 2,00     | 23/05/2013 |            | --    |
| 0049   | VTVT48694 |           | SCREW TCB TC 5 X12 UNI 9707 TZ  | 2,00     |            | 22/05/2013 | --    |
| 0050   | RCVR00772 |           | CONNECTOR 1/4                   | 1,00     |            |            | --    |
| 0051   | TBBP00481 |           | HOSE PUR-ELASTOLAN 98Sh 10x8    | 0,48     |            |            | --    |
| 0052   | KTRI01989 |           | KIT RECOVERY LID                | 1,00     |            |            | --    |
| 0053   | VTVT00311 |           | SCREW TE M4X12                  | 1,00     |            |            | --    |
| 0054   | FSVR00243 |           | BASE CABLE TIE, PLASTIC         | 1,00     |            |            | --    |
| 0055   | VTRS05904 |           | WASHER UNI 6592 4X16 ZB         | 2,00     |            |            | --    |
| 0056   | VTDD00001 |           | NUT UNI 5588 M3 ZB              | 2,00     |            |            | --    |
| 0057   | MEVR02074 |           | PLUG IEC                        | 1,00     |            |            | --    |
| 0058   | VTVT00035 |           | SCREW M 3X 8 TS TC ZC           | 2,00     |            |            | --    |
| 0059   | LAFN07948 |           | PROTECTION SOLENOID VALVE       | 1,00     | 23/05/2013 |            | --    |
| 0060   | VTVT15924 |           | SCREW M4X16 UNI7687             | 2,00     | 23/05/2013 |            | --    |
| 0061   | VTVT01376 |           | SCREW TE M 5X 35 UNI 5739       | 1,00     |            |            | --    |
| 0062   | VTRS13750 |           | WASHER D. 5X14 INX              | 1,00     |            |            | --    |
| 0063   | VTVT15924 |           | SCREW M4X16 UNI7687             | 1,00     | 10/09/2014 |            | --    |
| 0064   | VTRS00515 |           | WASHER D. 4 INX                 | 3,00     | 10/09/2014 |            | --    |
| 0065   | MPVR05841 |           | CLIP -                          | 1,00     | 10/09/2014 |            | --    |
| 0066   | VTVT15965 |           | SCREW TCB-TC 4X12 UNI7687 INX   | 2,00     | 10/09/2014 |            | --    |
| 0067   | VTDD15925 |           | NUT M 4 INX+ZN                  | 1,00     | 10/09/2014 |            | --    |
| 0068   | LAFN09354 |           | BRACKET CLIP SUPPORT            | 1,00     | 10/09/2014 |            | --    |
| 0069   | VTDD15925 |           | NUT M 4 INX+ZN                  | 2,00     | 10/09/2014 |            | --    |
| 0070   | GUGO03500 |           | O-RING D. 6.75 X 1.78 NBR 70SH  | 1,00     | 22/04/2015 |            | --    |
| 0071   | MEVR00039 |           | FUSE LAMELLARE 20A              | 1,00     |            |            | --    |
| 0072   | MECB01384 |           | WIRING COMPLETE CT30-45 B       | 1,00     |            |            | --    |



| Ref. K | Part n.   | Part n. 2 | Description                   | Quantity | Validity   |    | Price |
|--------|-----------|-----------|-------------------------------|----------|------------|----|-------|
|        |           |           |                               |          | From       | To |       |
| 0073   | MPVR10801 |           | CAP IEC                       | 1,00     | 16/01/2017 |    | --    |
| 0074   | LAFN11082 |           | BRACKET -                     | 1,00     | 16/01/2017 |    | --    |
| 0075   | MECB01385 |           | WIRING                        | 1,00     |            |    | --    |
| 0076   | MPVR12325 |           | CLIP BLOCK FLAT               | 1,00     | 23/11/2018 |    | --    |
| 0077   | FSVR00264 |           | CLAMP                         | 1,00     | 18/03/2019 |    | --    |
| 0078   | GUGO00480 |           | GASKET -                      | 1,00     |            |    | --    |
| 0079   | VTRS00515 |           | WASHER D. 4 INX               | 1,00     |            |    | --    |
| 0080   | VTDD00055 |           | NUT M 4 ATB A2                | 1,00     |            |    | --    |
| 0081   | MPVR08038 |           | PLATE CT15-30                 | 1,00     |            |    | --    |
| 0082   | VTVT15965 |           | SCREW TCB-TC 4X12 UNI7687 INX | 1,00     |            |    | --    |
| 0083   | KTRI02097 |           | KIT CT15-CT30                 | 1,00     |            |    | --    |



| Ref. Part n. | Part n. 2 | Description                 | Reference | Price |
|--------------|-----------|-----------------------------|-----------|-------|
| KTRI04750    |           | KIT NEW PCB CT30B AND CT45B | 0036      | --    |