



**IPC**

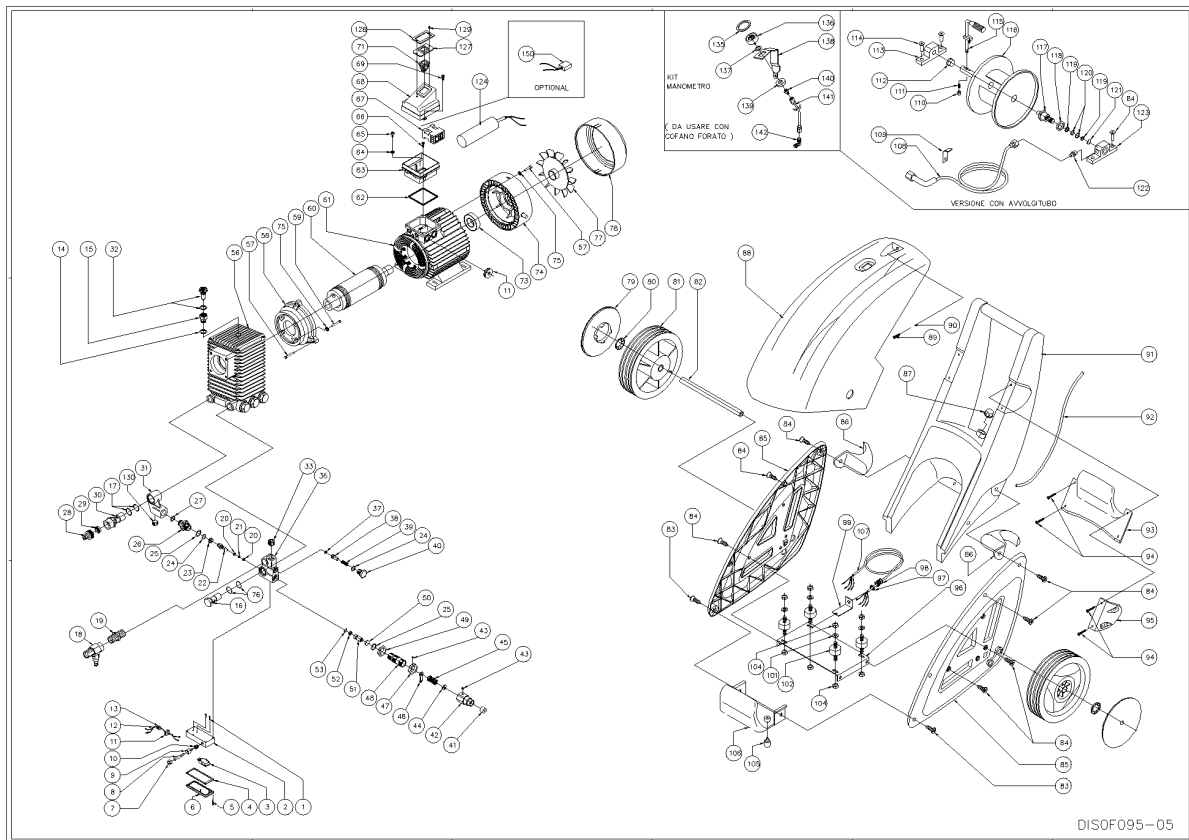
## **Spare Parts List**

Ref: IDAF82037

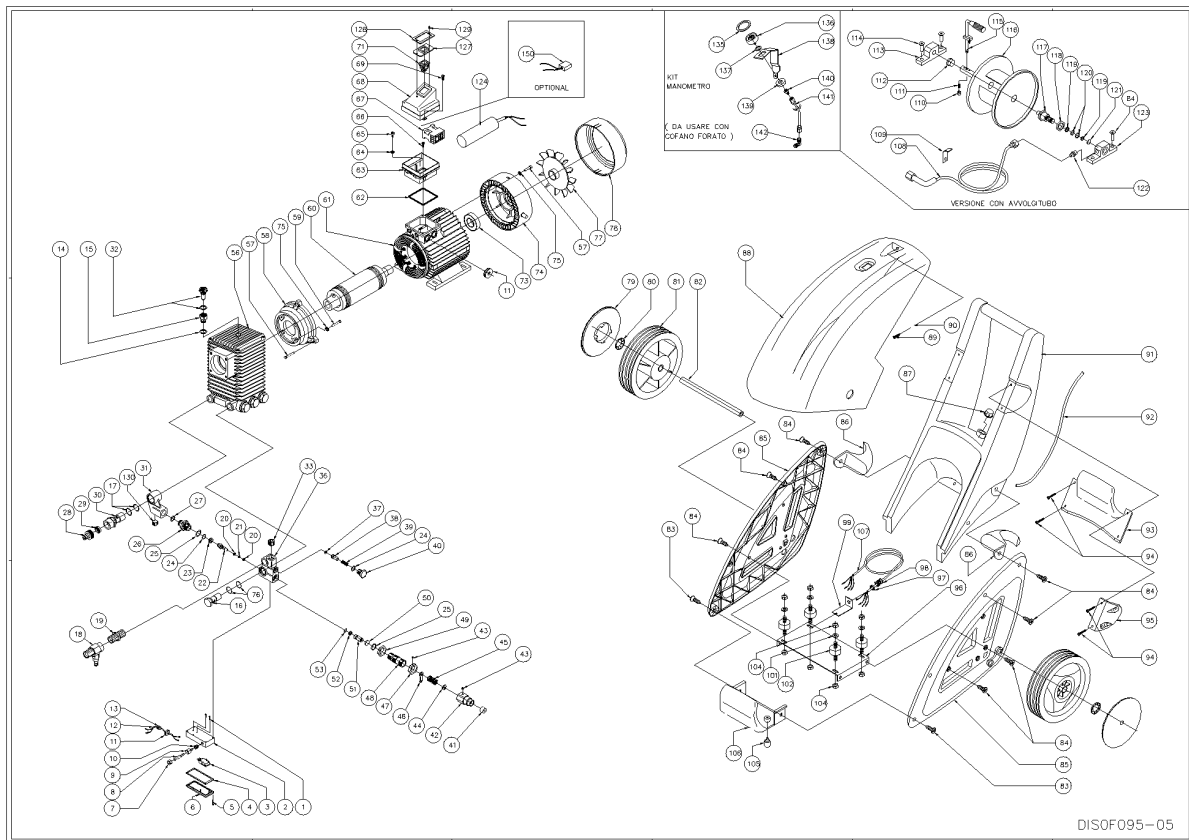
Cust.Ref: .

Model: H.P. CLEANER FT 130-4P DS 1920 M 230/5

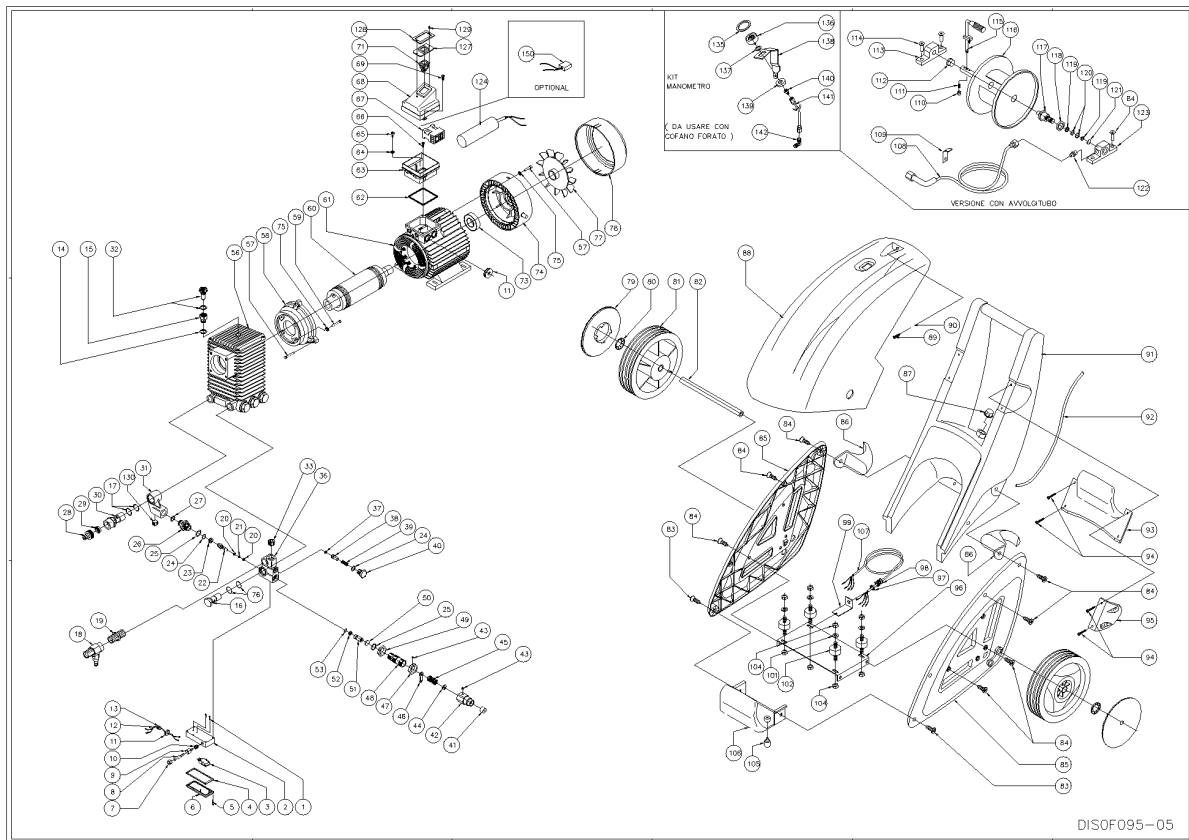
Cust.Model: FT 150



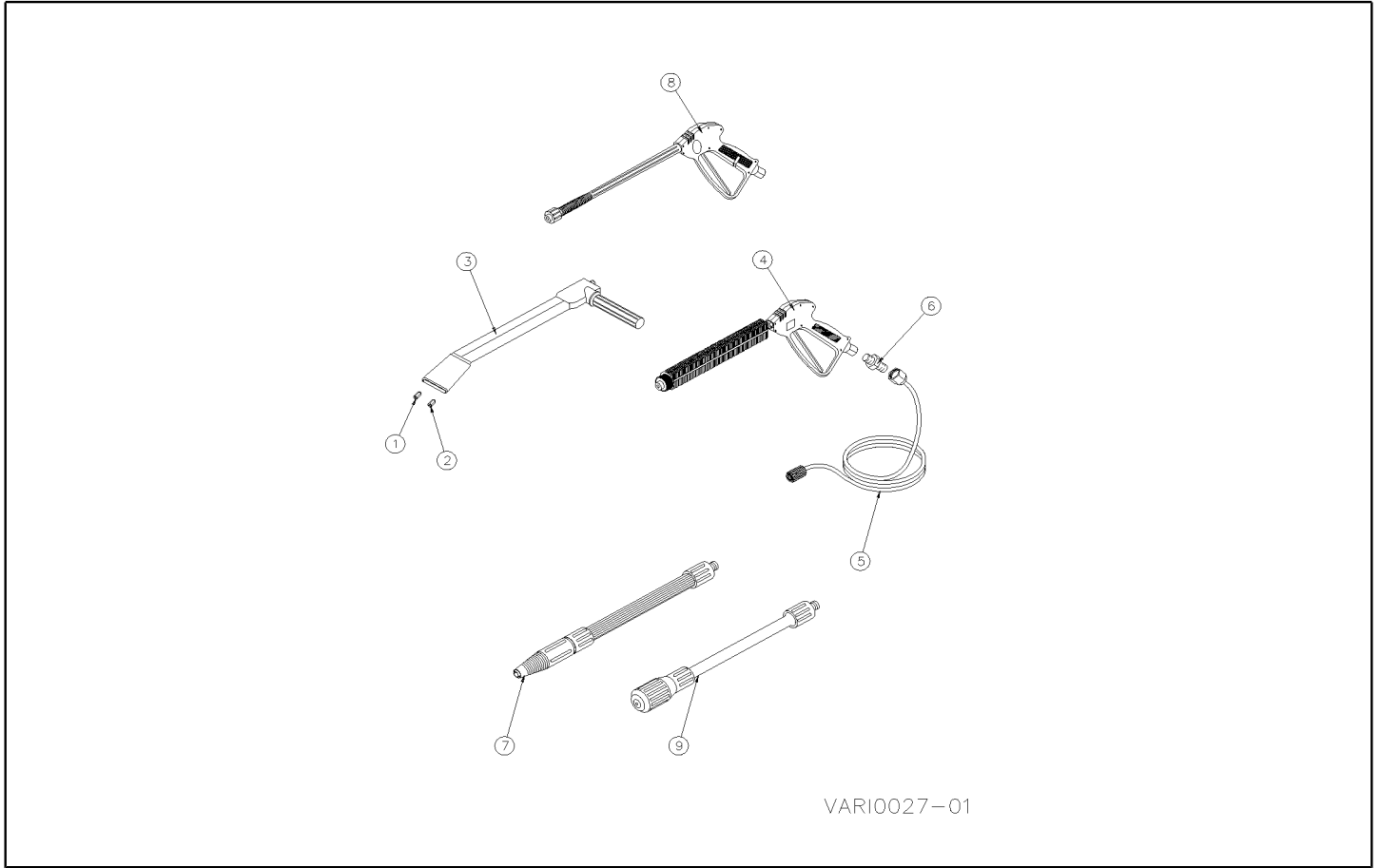
Ref. K	Part N.	Part N. 2	Description	Quantity	Validity		Price
					From	To	
0001	VTVT63123		SCREW M 3X8 TSPCR ZN DIN 7987	2,00	16/10/2000	--	--
0002	MPVR40209		COVER S.T-STOP S/2	1,00	16/10/2000	--	--
0003	MECI80639		MICROSWITCH 20A F.S/L	1,00	16/10/2000	--	--
0004	GUVR40208		GASKET T-ST. S/2	1,00	16/10/2000	--	--
0005	VTVT62945		SCREW ATF UNI 7981 2,2X10ZN S/P	5,00	16/10/2000	--	--
0006	MICT60090		BOX PORTA MICRO AQUA3300	1,00	16/10/2000	--	--
0007	VTDD01678		NUT M 5 UNI 5588	1,00	16/10/2000	--	--
0008	VTVT63056		SCREW M 5X20 EI-ST UNI 5925	1,00	16/10/2000	--	--
0009	MPVR60267		GUDGEON MICRO VALV.TK	1,00	16/10/2000	--	--
0010	MPVR41620		PROTECTOR S.T-STOP FP	1,00	16/10/2000	--	--
0011	MPVR60519		FAIR-LEAD 20/28 H11/S4	1,00	16/10/2000	--	--
0012	MPVR40207		FAIR-LEAD COND.D.5.5 55 SHORE	1,00	16/10/2000	--	--
0013	MECB64221		CABLE 2X1,5 L=770 TS	1,00	16/10/2000	--	--
0014	VTRS63211		WASHER 19X13X1.5 GMM	1,00	28/02/2001	--	--
0015	RCDS81940		EXTENSION SFIATO OLIO 3/8-1/4 S"44"	1,00	28/02/2001	--	--
0016	RCDS59233		SCREW G3/8 X VALV.	1,00	--	--	--
0017	GUGO01048		O-RING D. 15.88 X 2.62 NBR 70SH	2,00	--	--	--
0018	EIDT64147		INJECTOR DETERG. 3/8 D.2.3	1,00	--	--	--
0019	RCDS62601		NIPPLE ATT. INIETT. VALV.	1,00	--	--	--
0020	GUVR63579		ANTI-EXTR.RING 7X4,1X1,5 OR2015	2,00	16/10/2000	--	--
0021	GUGO63485		O-RING D. 4 X 2 NBR 70SH	1,00	16/10/2000	--	--
0022	PVVR59212		VALVE BY-PASS CHIUSURA BY PASS	1,00	16/10/2000	--	--
0023	PVVR59203		VALVE SEAT REGOLAZ.PRESSIONE	1,00	16/10/2000	--	--
0024	GUGO01036		O-RING D. 10.82 X 1.78 NBR 70SH	2,00	16/10/2000	--	--
0025	GUGO63448		O-RING D. 13.95 X 2.62 NBR 90SH	2,00	16/10/2000	--	--
0026	RCDS59636		NIPPLE INF. VALVOLA	1,00	16/10/2000	--	--
0027	GUGO63445		O-RING D. 10.78 X 2.62 NBR 70SH	1,00	16/10/2000	--	--
0028	RCVR62752		SOCKET 3433 BK.	1,00	15/04/1998	--	--
0029	LAFN58908		SUCTION FILTER INDY	1,00	--	--	--
0030	RCVR62843		INTAKE CONNECT. G3/4 VALVOLA REG.	1,00	--	--	--
0031	MFVR58351		CONNECTOR BY-PASS	1,00	16/10/2000	--	--
0032	PVVR82225		OIL DIPSTICK W 1513 TAGLIATO	1,00	28/02/2001	--	--
0033	RCDS59684		CAP G 3/8 CON.	1,00	16/10/2000	--	--
0036	PVVR59461		VALVE BODY C/FORO G3/8 SX	1,00	16/10/2000	--	--
0037	GUGO63460		O-RING D. 4.30 X 2.4 NBR 90SH	1,00	16/10/2000	--	--
0038	VVSF59764		VALVE N.RIT.	1,00	16/10/2000	--	--
0039	MLML59294		SPRING VALV. NON RIT.	1,00	16/10/2000	--	--
0040	RCDS59227		VALVE TAP NON RITORNO	1,00	16/10/2000	--	--
0041	PVVR59564		GRUB SCREW REG.MOLLA VALVOLA OT	1,00	16/10/2000	--	--
0042	RCDS59626		SLEEVE REG.PRESS.CON FERMO	1,00	16/10/2000	--	--
0043	VTVT63069		SCREW M 3X 6 EI-ST UNI5923 BR.	2,00	16/10/2000	--	--
0044	VTRS63270		WASHER TRANCIATA X VALV.INOX	1,00	16/10/2000	--	--
0045	MLML59268		SPRING REGOL.PRESS.X VALV.	1,00	16/10/2000	--	--
0046	LAFN58930		BLADE AZ.MICRO AQUA3300 ZN.T	1,00	16/10/2000	--	--



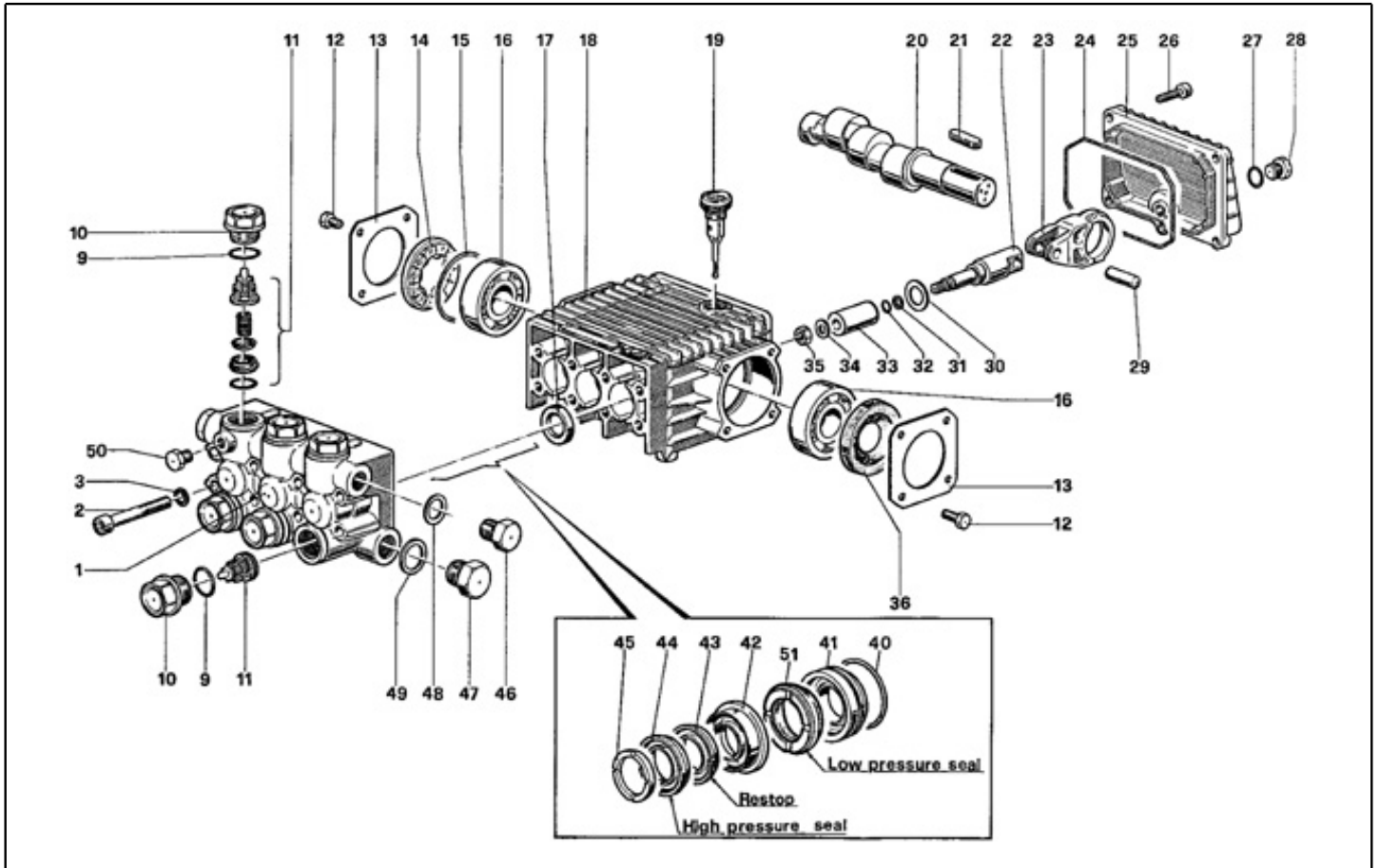
Ref. K	Part N.	Part N. 2	Description	Quantity	Validity		Price
					From	To	
0047	RCVR59740		LOCKNUT X VALVOLA CON FERMO	1,00	16/10/2000	--	--
0048	RCDS59643		NIPPLE SUP.C/F VALV.R PRES.	1,00	16/10/2000	--	--
0049	RCVR59739		LOCKNUT X VALVOLA	1,00	16/10/2000	--	--
0050	PVVR59107		SPRING PLATE X VALVOLA INOX	1,00	16/10/2000	--	--
0051	PVVR59175		SMALL PISTON AP.BY-PASS X VALV.	1,00	16/10/2000	--	--
0052	GUVR63584		ANTI-EXTR.RING 11X8, 1X1,5-OR 2031	1,00	16/10/2000	--	--
0053	GUGO06772		O-RING D. 7 X 2 NBR 70SH	1,00	16/10/2000	--	--
0056	PPAP33594		PUMP "44" W 112 DX	1,00		--	--
0057	VTVT62921		SCREW TE M 6X 25 F/RD.ZN	8,00	28/04/2000	--	--
0058	MFVR57983		FLANGE MEC 100 IP	1,00		--	--
0059	VTVT12255		SCREW TCEI 6X25 UNI5931	4,00	28/04/2000	--	--
0060	MORT81160		EL.MOT. ROTOR CPL 90X33 H135 IP44 UNI	1,00	01/06/2000	--	--
0061	MOST80707		EL.MOT. STATOR 152X90H135 230/50 T	1,00	28/04/2000	--	--
0062	GUVR63638		GASKET BASET.MOTORE SP.2	1,00	13/02/2001	--	--
0063	MPVR81806		BASE-SUPPORT SC.EL. FT200 M100 TST	1,00	28/04/2001	--	--
0064	VTRS63310		WASHER D. 4	1,00	13/02/2001	--	--
0065	VTVT14839		SCREW M 4X 6 TCB TC DIN 7985	1,00	13/02/2001	--	--
0066	VTVT09682		SCREW TPS-TC 5X12 UNI7688	4,00	13/02/2001	--	--
0068	MPVR80674		COVER SC.EL. FT200 S2	1,00	13/02/2001	--	--
0069	VTVT62983		SCREW ATF TC CROCE M3,9X19 BRU	2,00	13/02/2001	--	--
0071	MECI81105		SWITCH SLX 16A 250V 0-1 8212 BI	1,00	13/02/2001	--	--
0073	CUVR53299		BALL BEARING 6206-2RS 30X62X16	1,00	28/04/2000	--	--
0074	MFVR58021		SHIELD MEC 100 LV.	1,00	28/04/2000	--	--
0075	VTRS63305		WASHER D. 6.4 SCHNORR ZC.	4,00	28/04/2000	--	--
0076	GUGO01942		O-RING D. 20.63 X 2.62 NBR 70SH	2,00		--	--
0077	VEVR61015		MOTOR FAN MEC 100 VTG-100	1,00	28/04/2000	--	--
0078	LAFN62031		FAN COVER MEC 100 L	1,00	28/04/2000	--	--
0079	MPVR60917		HUB CAP SPI 2 D.250 BK	2,00	01/01/1998	--	--
0080	VTRS28558		WASHER D.20	2,00	29/06/2001	--	--
0081	RTRT60891		WHEEL D.250X50 D.20 SPI 2	2,00		--	--
0082	LAFN62390		WHEELS AXLE FT200 ZC.	1,00		--	--
0083	VTVT63136		SCREW M 8X30 TSPEI ZN	2,00	15/04/1998	--	--
0084	VTVT63134		SCREW M 8X25 TSPEI ZC UNI 5933	10,00	15/01/1998	--	--
0085	MFVR58365		FRAME CARRELLO FT200	2,00	15/01/1998	--	--
0086	LAFN58986		PLATE AVVOLGICAVO FT200	2,00	15/04/1998	--	--
0087	MPVR60848		TANK CAP 1-1/4F	1,00		--	--
0088	MPVR82501		RED COVER FT200 INZ.	1,00		--	--
0089	VTVT19236		SCREW TCEI 5X20 UNI 5931	1,00	06/12/2000	--	--
0090	VTRS15958		WASHER UNI 6592 5X15X1,5 ZB	1,00		--	--
0091	MPVR58544		TANK FT 200	1,00		--	--
0092	TBBP62474		L.P. HOSE D. 7-10 CR.	0,55	15/04/1998	--	--
0093	MPVR60611		SUPPORT AVV. FT200	1,00		--	--
0094	VTVT63132		SCREW TSPEI M 8X16 BRUNITA	4,00	15/02/1998	--	--
0095	MPVR60616		SUPPORT LANCIA FT200	1,00		--	--



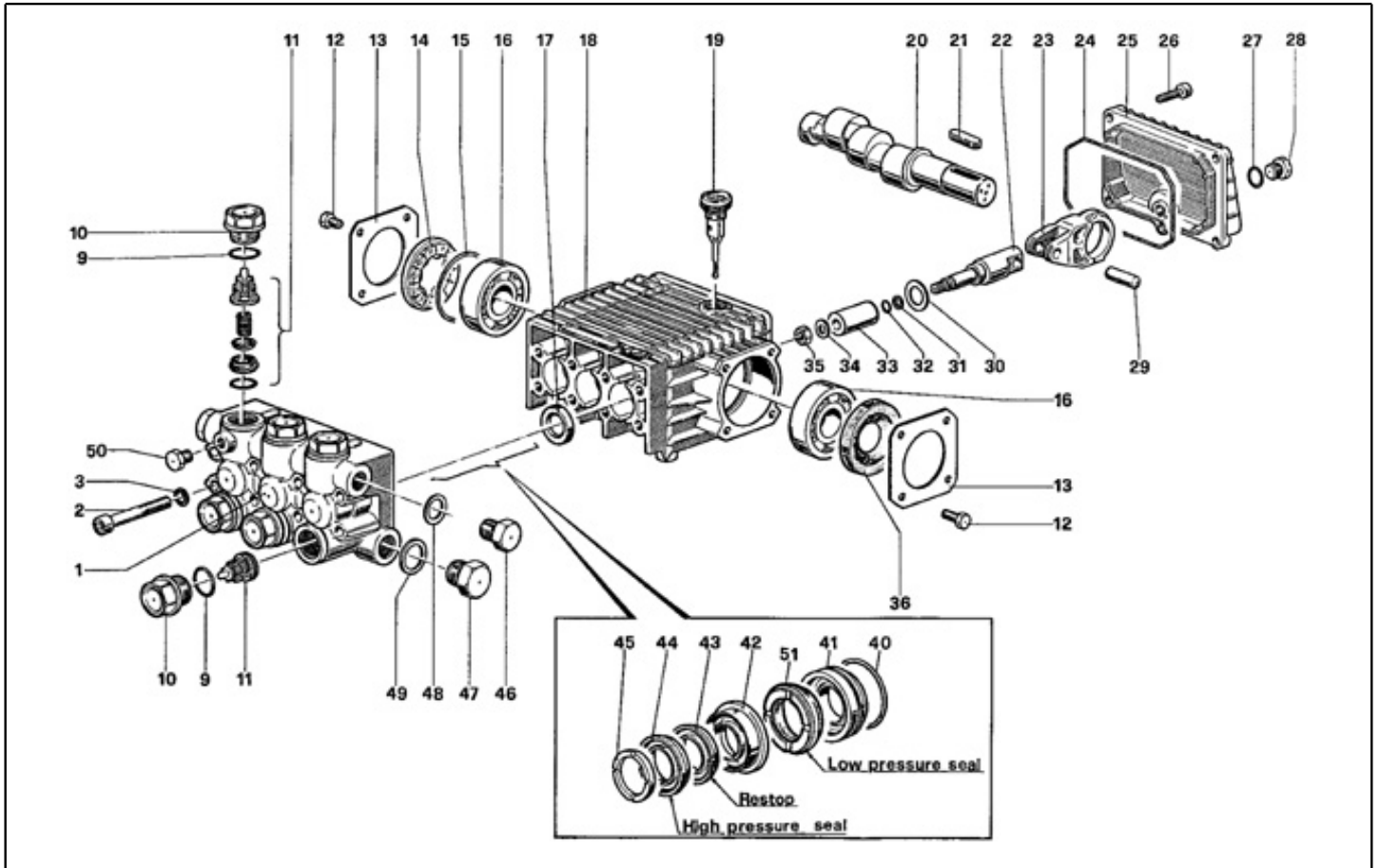
Ref. K	Part N.	Part N. 2	Description	Quantity	Validity		Price
					From	To	
0096	LAFN59082		CROSS PIECE FT200	1,00			--
0097	MEVR61833		LOCKNUT NYL PG 13.5 BK.	1,00	01/01/1998		--
0098	MEVR61879		FAIR-LEAD PG 13.5 SP.	1,00	01/02/1998		--
0099	LAFN58989		PLATE SUPPORTO SKINTOP	1,00	15/04/1998		--
0100	VTVT17347		SCREW TE M8X50 BRUN. UNI 5739	4,00	15/01/1998		--
0101	VTRS63243		WASHER D. 8 X24	12,00	21/12/2000		--
0102	MECF60282		RUBBER D. 30 L=20.5 70SH A.VB.	4,00			--
0103	LAFN58901		SPACER G.D.12XD.9X15	4,00			--
0104	VTDD63177		NUT M 8 FLANGIATO	8,00	15/04/1998		--
0105	MPVR60553		FOOT GOMMA 20X20 AQ EPDR50	2,00	15/01/1998		--
0106	MPVR60528		PLATE PROT.SCAT.MICRO FT200	1,00	15/04/1998		--
0107	MECB81327		CABLE H07 RNF 3X1.5 MT 5.5 S2	1,00	01/08/2000		--
0124	MECO61716		CAPACITOR 50 MF 400/450V D.45X120	1,00	01/07/1998		--
0127	MPVR60539		PLATE WAP	1,00	13/02/2001		--
0128	MPVR60498		FRAME WAP	1,00	13/02/2001		--
0129	VTVT62975		SCREW AF TCB-TC 2,9X13 ZN	2,00	13/02/2001		--
0130	VTVT63064		SCREW STEI G 1/4 X10 ZC.	1,00	16/10/2000		--



Ref. K	Part N.	Part N. 2	Description	Quantity	Validity		Price
					From	To	
0001	UGLN02291		NOZZLE 1/4 1505	1,00			--
0002	UGLN02505		LANCE NOZZLE SPS 1/4 4030 OTTONE	1,00			--
0003	LCLC82545		LANCE DP 1/4 -M22	1,00			--
0004	IPPR52938		GRIP AL5 +PR. M22	1,00			--
0005	TBAP53046		H.P. HOSE 5/16 250 BAR 10MT 3/8 F-F	1,00			--
0006	RCDS62596		NIPPLE 3/8 - 3/8 CN./CL.SV	1,00			--



Ref. K	Part N.	Part N. 2	Description	Quantity	Validity		Price
					From	To	
0001	MFVR35540		HEAD "44" WW D.18 OT	1,00			--
0002	VTVT01121		SCREW TCEI 8X60 UNI5931	8,00			--
0003	VTRS01072		WASHER D. 8 TC	8,00			--
0009	S GUGO19395		O-RING D. 20.24 X 2.62 NBR 70SH	6,00			--
0010	S RCDS28466		CAP M24X1.5X17 "44"	6,00			--
0011	S VVAM28467		VALVE UNIT "44" WW136-186	6,00			--
0012	VTVT01109		SCREW TE M 6X 10 ZC. UNI 5739	8,00			--
0013	MFVR03562		CRANKASE COVER W 70	2,00			--
0014	MFVR28454		SPACER "44"	1,00			--
0015	GUGO01040		O-RING D. 55.56 X 3.53 NBR 70SH	1,00			--
0016	CUVR09654		BALL BEARING 6305	2,00			--
0017	S GUGO01001		OIL SEAL 20X 30X 5 NBR70	3,00			--
0018	MFVR28453		PUMP CRANKCASE "44"	1,00			--
0019	PVVR01089		OIL DIPSTICK W 70	1,00			--
0020	ALMO28463		SHAFT "44" WW 156	1,00			--
0021	VTVR09510		KEY 8X7X35	1,00			--
0022	PVVR28457		PISTON GUIDE "44"	3,00			--
0023	BLVR28459		CONNECTING ROD "44"	3,00			--
0024	GUGO18695		O-RING D. 101.27 X 2.62 NBR 70SH	1,00			--
0025	MFVR28460		CRANKASE COVER "44"	1,00			--
0026	VTVT01114		SCREW TCEI 6X14 UNI 5931	5,00			--
0027	GUGO01036		O-RING D. 10.82 X 1.78 NBR 70SH	1,00			--
0028	RCDS01088		CAP 1/4X 9 M WW90	1,00			--
0029	PVVR28458		GUDGEON D.10X29.5 "44"	3,00			--
0030	VTRS28456		WASHER D.16 X28 X1 PVC	3,00			--
0031	GUVR 10257		ANTI-EXTR.RING WW161	3,00			--
0032	GUGO01055		O-RING D. 5.28 X 1.78 VIT 70SH	3,00			--
0033	PIVR28455		PISTON D.18 "44"	3,00			--
0034	VTRS09321		WASHER D. 8X13X1	3,00		29/07/2002	--
0034	VTRS46027		WASHER D. 8 C/CLL.	3,00	30/07/2002		--
0035	VTDD04284		NUT M8X1,25 X13X5 S2 INX	3,00			--
0036	GUGO28465		OIL SEAL 25X 62X10 NBR70	1,00			--
0040	S GUGO01039		O-RING D. 31.47 X 1.78 NBR 70SH	3,00			--
0041	S PVVR28506		PACKING RETAIN. D. 18 "44"	3,00			--
0042	S PVVR28504		INTERMED. RING D. 18 "44"	3,00			--
0043	S GUVR28503		PACKING D. 18 RESTOP	3,00			--
0044	S GUVR28502		PACKING D. 18	3,00			--
0045	S PVVR28501		HEAD RING D. 18 "44"	3,00			--
0046	RCDS01090		CAP 3/8X13 M WW90	1,00			--
0047	RCDS01091		CAP 1/2X10 M	1,00			--
0048	VTRS01074		WASHER D.17,05X22,3 X1,5	1,00			--
0049	VTRS01075		WASHER D.21,5X27 ALL	1,00			--
0050	RCDS09704		CAP G 1/8 KR	1,00			--
0051	S GUVR34583		PACKING D. 18 L.P.	3,00			--



Ref. Part N.	Part N. 2	Description	Reference	Price
KTRI28510		KIT P 15-124	0009 0010	--
KTRI28508		KIT P 15-123	0011	--
KTRI18585		KIT P 23	0017	--
KTRI28524		KIT P 131	0040 0041 0042 0043 0044 0045 0051	--
KTRI28518		KIT P 128	0042	--
KTRI28516		KIT P 127	0043 0044 0051	--
KTRI28520		KIT P 129	0045	--