

- B**
- 47 — Washer
  - 46 — Washer
  - 45 — Washer
  - 44 — Rod
  - 43 — Rod

- A**
- 40 — Hinge
  - 13 — Hinge
  - 41 — Lock
  - 42 — Nut
  - 38 — Screwdriver

- C**
- 49 — Cable

- D**
- 48 — Lock

- E**
- 50 — Rod

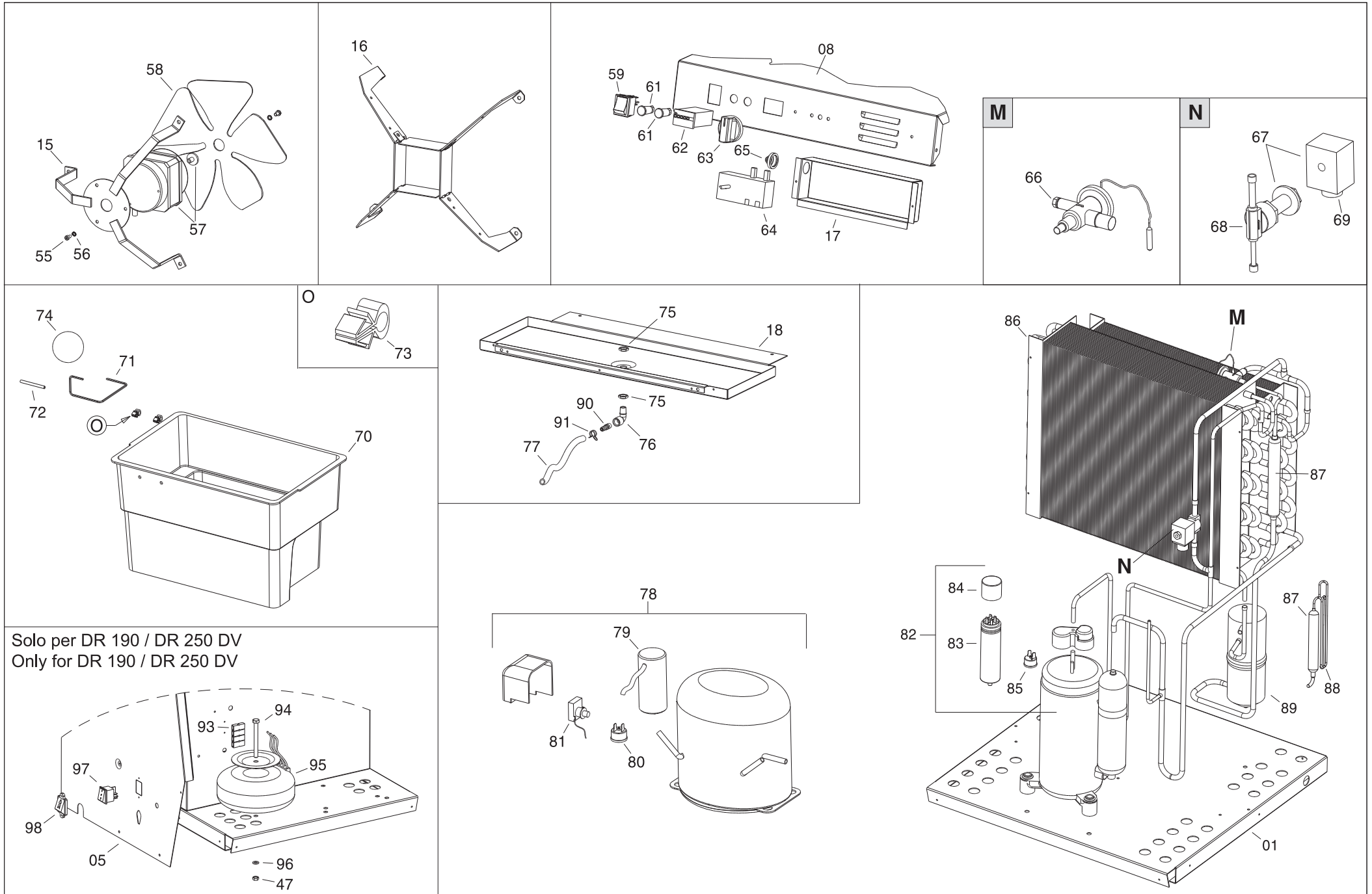
- F**
- 51 — Rod

- G**
- 52 — Rod

- H**
- 53 — Coil

- I**
- 54 — Component

- L**
- 38 — Screwdriver



PL 07/11			Da N.° serie	De No. Serie	Von Masch. Nr.	From S/N
81103061						
POS	P/N	LEGENDA	DESCRIZIONE	DESCRIPTION	BESCHREIBUNG	DESCRIPTION
1	G08024	-	Basamento	Base	Sockel	Base
2	G08027	-	Supporto condensatore	Support condensateur	Kondensatorhalterung	Capacitor support
3	G08031	-	Protezione microinterruttore	Protection micro-interrupteur	Microschalterabdeckung	Switch cover
4	G08032	DX	Pannello	Panneau	Verkleidungsplatte	Panel
5	G08033	SX	Pannello	Panneau	Verkleidungsplatte	Panel
6	G08002	-	Pannello	Panneau	Verkleidungsplatte	Panel
7	G08001	-	Griglia uscita aria	Grille de sortie	Ausblasgitter	Outlet grill
8	G08040	-	Pannello	Panneau	Verkleidungsplatte	Panel
9	G08044	-	Supporto raccogli gocce	Support gouttier	Tropfpfannehalterung	Drip tray support
10	G08090	Ø 20	Assale	Essieu	Achse	Wheel axle
11	P20162	-	Piede	Support	Stütze	Support
12	P20163	-	Maniglia	Poignée	Griff	Handle
13	G08049	-	Supporto microinterruttore	Support micro-interrupteur	Microschalterbefestigung	Switch support
15	G08052	-	Supporto motore	Bride support moteur	Motorlager	Motor flange
17	G01357	-	Protezione umidostato	Protection hygrostat	Hygrostatabdeckung	Hygrostat cover
18	DR231	-	Raccogli gocce	Gouttier	Tropfpfanne	Drip tray
31	C10564	Ø 210 - Ø 20	Ruota	Roue	Rad	Wheel
35	M20203	Ø 20	Rondella elastica	Clips de fixation	Sprengring	Elastic washer
36	C30340	-	Sottopiede	Sous-pied	Fußschutz	Foot protection
37	DR201	-	Apparecchiatura	Coffret	Steuergerät	Control box
38	DR202	-	Sonda	Sonde	Sonde	Probe
39	DR233	295 x 306	Filtro	Filtre	Filter	Filter
40	DR009	-	Microinterruttore	Micro switch	Microschalter	Microswitch
41	E20935	-	Fermacavo	Protection cable	Kabeltülle	Cable protection
42	C30303	Ø10 mm	Passacavo	Protection cable	Kabeldurchgang	Cable protection
43	M10209	M6 x 30	Vite	Vis	Schraube	Screw
45	M20114	Ø6 x Ø24 x 2	Rondella	Rondelle	Unterlegscheibe	Washer
47	M10704	M6	Dado	Écrou	Schraubmutter	Nut
48	E20310	-	Fermacavo	Protection cable	Kabeltülle	Cable protection
49	E30436	L = 3 m - SCHUKO	Cavo alimentazione elettrica	Câble d'alimentation	Stromversorgungskabel	Power cord
50	M10404	M8 x 40	Vite	Vis	Schraube	Screw
51	M10515	8x1"	Vite	Vis	Schraube	Screw
52	M10508	8x3/8"	Vite	Vis	Schraube	Screw
53	C30420	3x20	Guarnizione	Joint	Dichtung	Seal
	C30421	20x20	Guarnizione	Joint	Dichtung	Seal
54	E20940	-	Fermacavo	Protection cable	Kabeltülle	Cable protection
55	M10317	M4 x 8	Vite	Vis	Schraube	Screw
56	M20301	Ø 4	Rondella elastica	Clips de fixation	Sprengring	Elastic washer
57	E10534-10	82-1305 230 V - 50 Hz	Motore	Moteur	Motor	Motor

PL 07/11			Da N.° serie	De No. Serie	Von Masch. Nr.	From S/N
81103061						
POS	P/N	LEGENDA	DESCRIZIONE	DESCRIPTION	BESCHREIBUNG	DESCRIPTION
58	T10221	Ø 230 - 25°	Ventola	Ventilateur	Lüfter	Fan
59	E10112-P	0 - I	Interruttore bipolare	Interrupteur	zweipoliger Schalter	Switch
61	E11025	230V	Lampada	Lampe	Lampe	Lamp
62	DR205	-	Contaore	Compte-heure	Stundenzähler	Hour-counter
63	C10322-1	-	Manopola	Poignée	Knopf	Black plastic knob
64	DR007	-	Umidostato	Hygrostat	Hygrostat	Hygrostat
65	C30342	Ø18mm	Passacavo	Protection cable	Kabeldurchgang	Cable protection
67	DR061	VE 117ALS	Elettrovalvola	Electrovanne	Magnetventil	Solenoid valve
69	DR063	Parker ZB 09 230V	Bobina elettrovalvola	Bobine E.V.	Spule Magnetventil	Solenoid coil
70	DR229-1	-	Vaschetta	Cuve	Wanne	Water container
71	DR228	-	Leva del galleggiante	Levier du flotteur	Schwimmerhebel	Float lever
72	I40308	Ø4xØ2 (L=60mm)	Tubo	Tuyau	Rohr	Pipe
73	E20308	-	Supporto galleggiante	Support du flotteur	Schwimmerhalterung	Float support
74	DR010	Ø60	Galleggiante	Flotteur	Schwimmer	Float
78	DR146	ASPERA NE6210GK	Compressore	Compresseur	Kompressor	Compressor
79	DR052	53-64 µF	Condensatore	Condensateur	Kondensator	Capacitor
80	DR152	-	Termostato di sicurezza	Thermostat de sécurité	Sichereitsthermostat	Safety thermostat
81	DR151	MTRP002959	Relè	Relais	Relais	Relay
86	DR216	-	Gruppo Condensatore / Evaporatore	Condensateur / Evaporateur	Kondensator / Verdampfer	Condenser/Evaporator
87	DR022	RF 20/2	Filtro	Filtre	Filter	Filter
88	G08056	Ø1,24mm L=1,25m	Tubo capillare	Tube capillaire	Haarartiges Gefäß	Capillary tube
92	M20110	Ø21 x Ø37 x 3	Rondella	Rondelle	Unterlegscheibe	Washer
99	E11157	FLC2H446000CC	Filtro antidisturbo	Filtre antipararites	Funkentstörfilter	Anti-jamming filter