

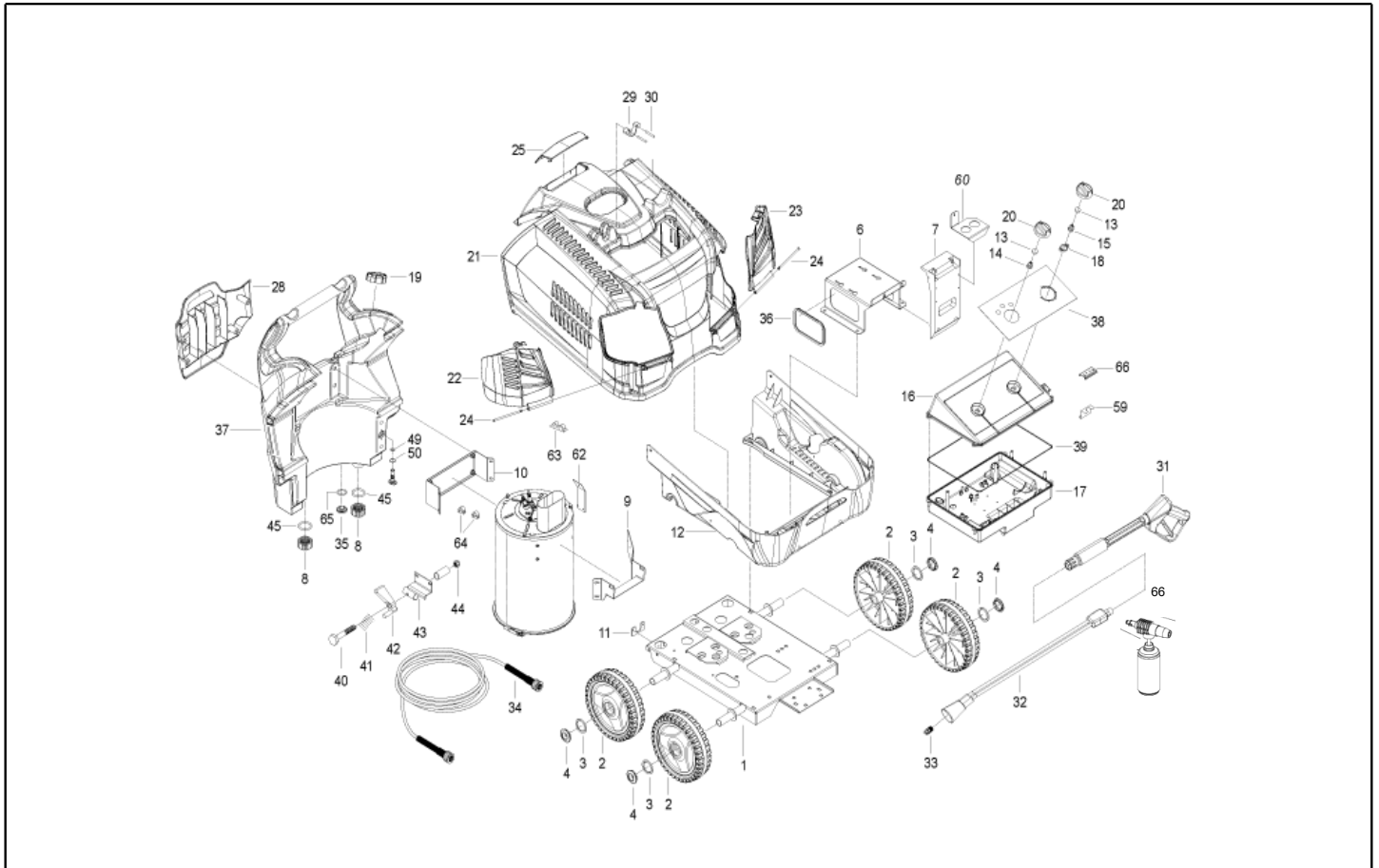


IPC

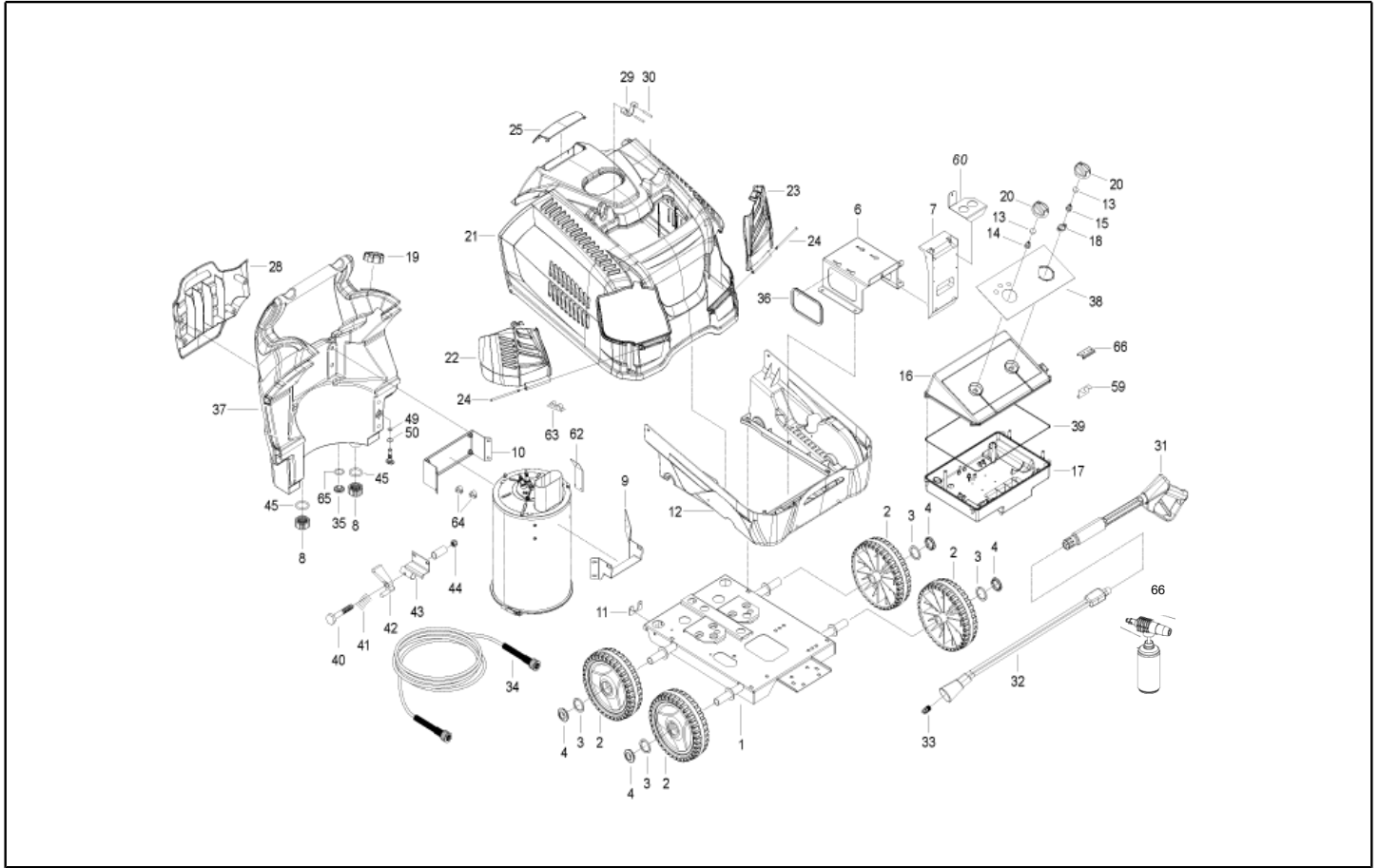
Spare parts list

Ref: IDAC41499

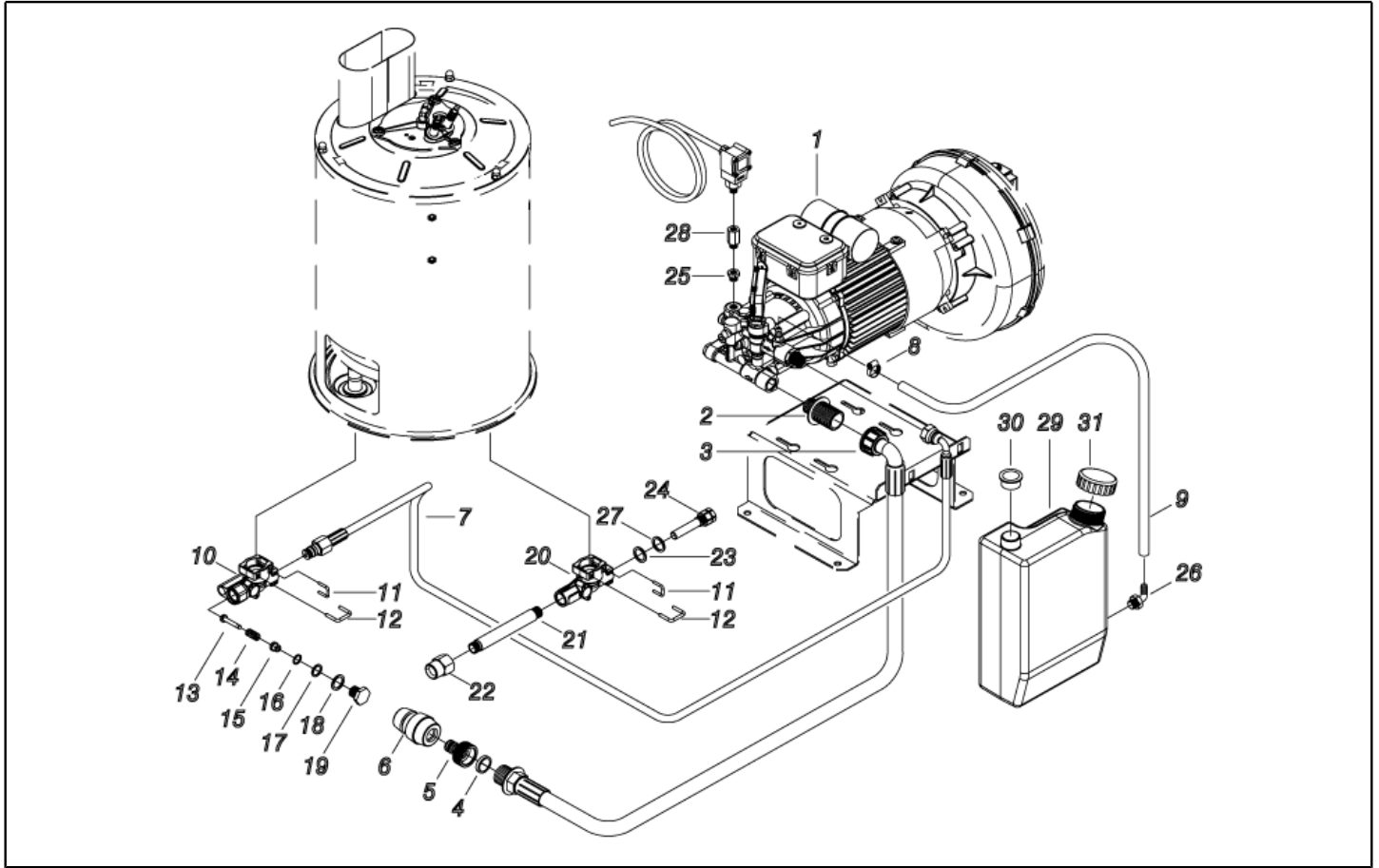
Model: H.P. CLEANER PW-H28/4 I1408A M230/50IN



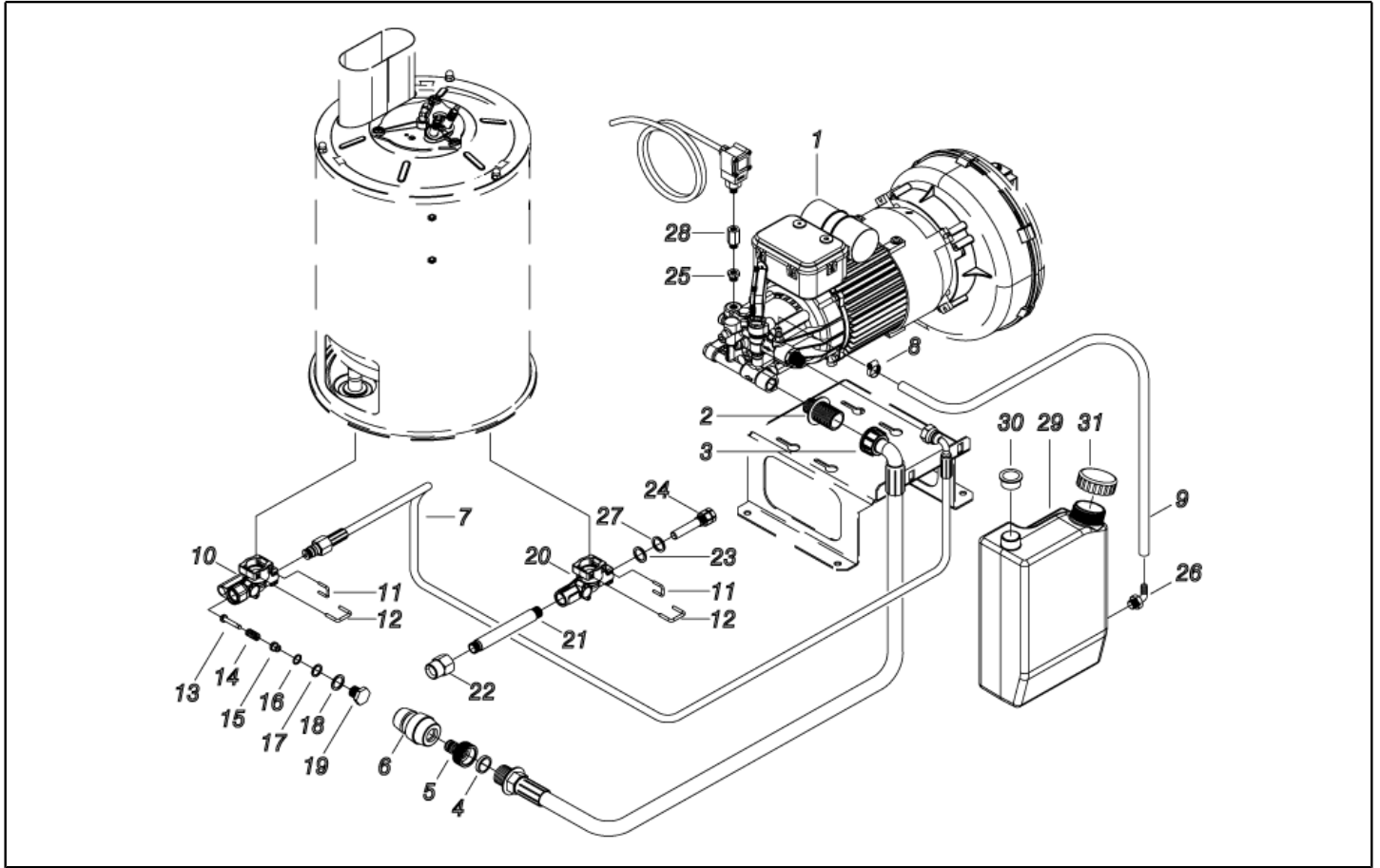
Ref. K	Part n.	Part n. 2	Description	Quantity	Validity		Price
					From	To	
0001	LAFN40998		TROLLEY PW-H28/4W BK. 2V.	1,00			--
0002	RTRT40043		WHEEL D.250-D.25X 65 RES BK/GRN	4,00			--
0003	VTRS09813		WASHER D.25	4,00			--
0004	MPVR40734		HUB CAP D.50 G-48/IPC GR.368C	4,00			--
0006	LAFN40704		MOTOR SUPPORT PW-H28 HRM ZC.	1,00			--
0007	MPVR33534		BOX SUPPORT MST PA 66	1,00			--
0008	MPVR20187		RING NUT M 39 X 3	2,00			--
0009	LAFN40705		SUPPORT PW-H28 MPU ZC.	1,00			--
0010	LAFN40999		BRACKET PW-H28 MPU/2 ZC	1,00			--
0011	LAFN40707		BRACKET PW-H28 ZC	1,00			--
0012	MPVR40685		BLACK COVER PW-H28 INF.PP	1,00			--
0013	GUGO25527		O-RING D. 14 X 3 NBR 70SH	2,00			--
0014	MPVR23482		TAIL PIECE TEC. TUV	1,00			--
0015	MPVR23484		TAIL PIECE THERM.KSM TUV	1,00			--
0016	MPVR40689		BOX COVER PW-H28 ABS BK.	1,00			--
0017	MPVR40690		CONTROL BOX PW-H28 ABS BK.	1,00			--
0018	MPVR41903		THICKNESS TERM.IM.PA66	1,00			--
0019	MPVR40187		TANK CAP P215 PEHD C/F.	1,00		14/11/2022	--
0019	MPVR45426		TANK CAP P176 PEHD	1,00	15/11/2022		--
0020	MPVR49057		BLACK KNOB P176-M.RACE PA6	2,00			--
0021	MPVR40678		GREEN COVER PW-H28 SUP.PP GR.368C	1,00			--
0022	MPVR40680		DOOR PW-H28 DX PPL V.368C	1,00			--
0023	MPVR40682		DOOR PW-H28 SX PPL V.368C	1,00			--
0024	MPVR40692		PIN PW-H28 PP V.368C	2,00			--
0025	MPVR40684		DOOR PW-H28 PPL V.368C Pst	1,00			--
0028	MPVR40688		TOOL HOLDER PW-H28 PP BK.	1,00			--
0029	MPVR40485		RUBBER PW-H35 15-20BK.	1,00			--
0030	MPVR40534		PIN PW-H35 PP BK.	2,00			--
0031	IPPR40025		GRIP G 6000+P.330 +M22 SW.M 2V	1,00			--
0032	LCPR89117		DOUBLE EXTENS. PD 70 M22 M -1/4F INX MV	1,00			--
0032	LCPR40114		LANCE TURBO TPR-20+SF230 D.1.20	1,00			--
0033	UGLN05174		NOZZLE 1/4 5040 OT	1,00			--
0033	UGLN11196		NOZZLE SPS 1/4 15035	1,00			--
0034	TBAP40062		H.P. HOSE R1 MT 15 5/16" C/2 IRV ZC	1,00			--
0035	PVVR11806		DISCHARGE CAP FLL	1,00	01/07/2018		--
0035	RCVR40146		CAP 3/8 M OT.NIK EI 8 +OR	1,00		30/06/2018	--
0037	MPVR40676		TANK PW-H28 PE BK.	1,00			--
0038	ETET41614		LABEL PW-H28 FOMA QR PLC	1,00			--
0039	GUGO33675		JOINT MOUSSE D. 4	1,30			--
0040	VTVT14480		SCREW TE M 8X80 ZINC. UNI	1,00			--
0041	MLML11917		SPRING D. 14.5 X24 X2.2	1,00			--
0041	GUGO40074		O-RING D. 37.47 X 5.34 NBR 70SH	2,00			--
0042	MPVR40751		TRIGGER H28/4W	1,00			--
0043	LAFN40713		BRACKET PW-H28/4W BK.	1,00			--



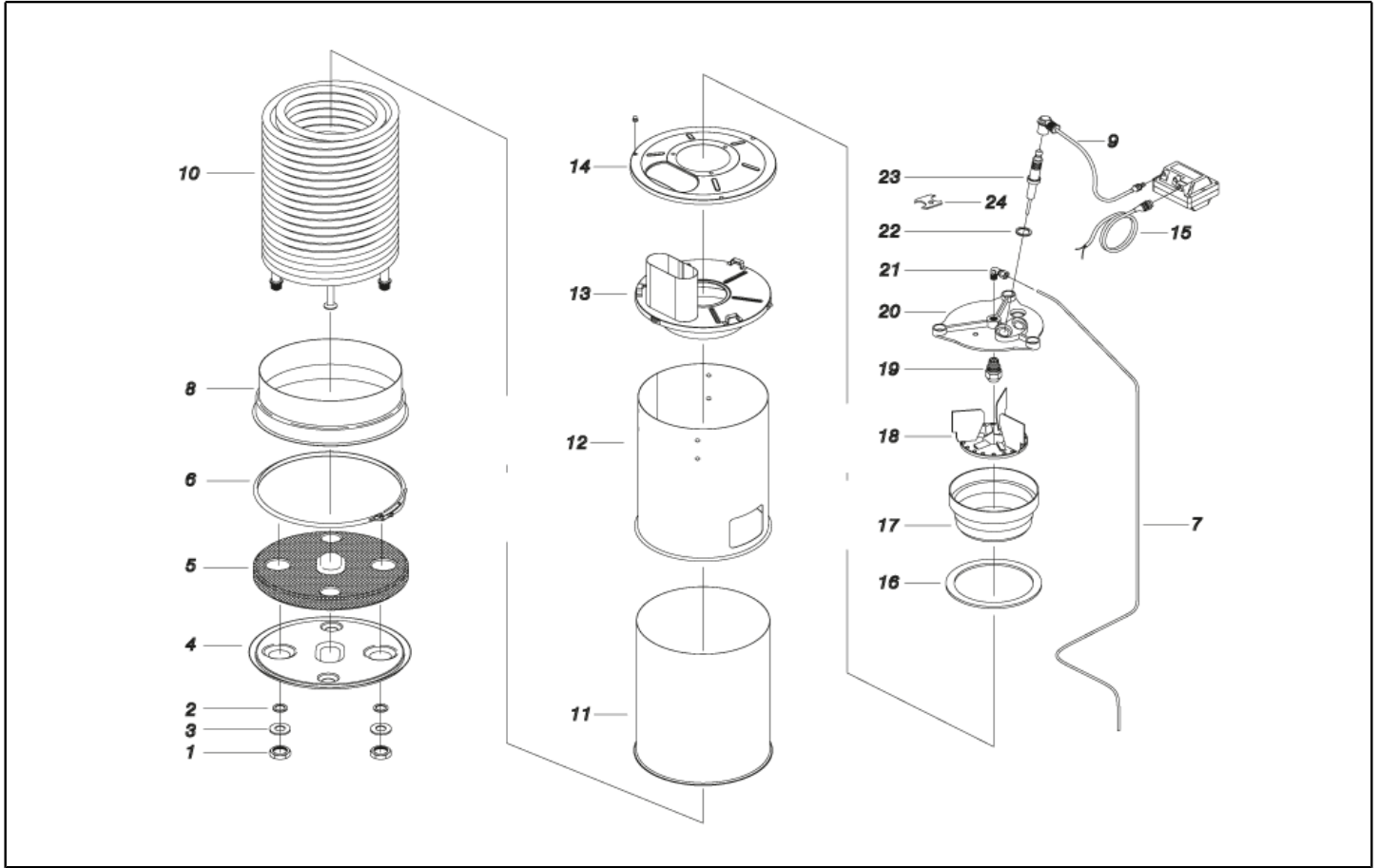
Ref. K	Part n.	Part n. 2	Description	Quantity	Validity		Price
					From	To	
0044	VTDD00492		NUT M 8 ZINC	1,00			--
0060	LAFN40731		BRACKET PW-H28 ZC.	1,00		31/05/2021	--
0060	LAFN41337		BRACKET PW-H28 2V. ZC.	1,00	01/06/2021		--
0062	LAFN41325		BRACKET MPU-26/H28 ZC	1,00	01/03/2021		--
0063	MEVR40027		CLIP D. 6.35 DB.	1,00	01/03/2021		--
0064	MEVR40294		CLIP HE. TYTON	2,00	01/03/2021		--
0065	GUGO11489		GASKET D.22X1,5	1,00	01/07/2018		--
0066	LCPR40040		FOAM DEVICE FL803 -TK.1LT +AR M22 M	1,00			--



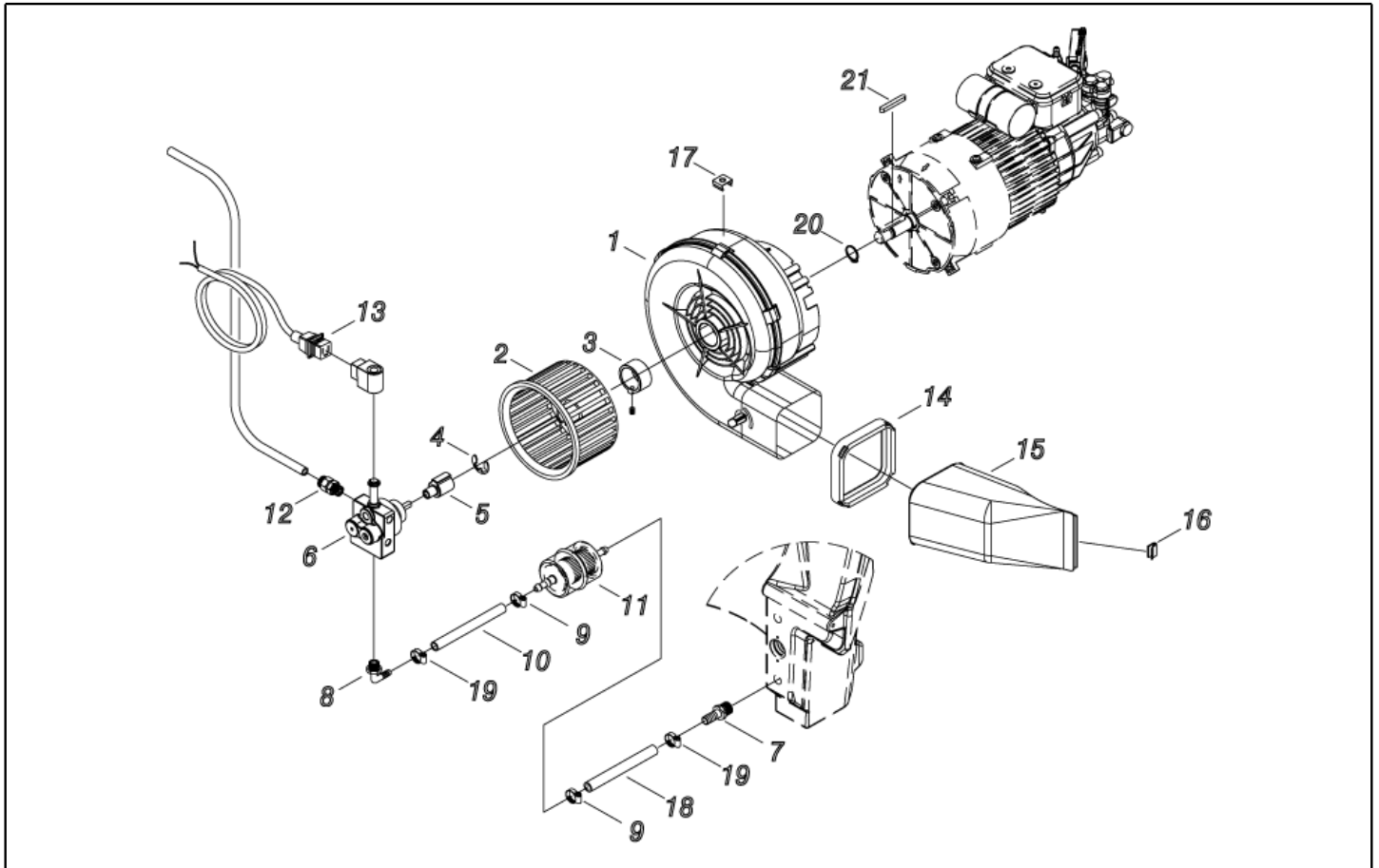
Ref. K	Part n.	Part n. 2	Description	Quantity	Validity		Price
					From	To	
0001	PEL40062		MOTOR-DRIV.PUMP HRM-O 9.15 TSS 230/50 H28	1,00			--
0002	MPVR84857		INTAKE CONNECT. H121 3/8-3/4 LG +GUARN.	1,00		31/01/2018	--
0002	RCDS88479		NIPPLE 3/4 - 3/8 CB D. 6.5 OT	1,00	01/02/2018		--
0003	TBBP40084		L.P. HOSE L=880 3/4F 90° -3/4M 0°	1,00			--
0004	FTDT12702		FILTER PA	1,00			--
0005	RCVR29600		SOCKET PTC 3/4 F	1,00			--
0006	RCVR29602		CONNECTOR D. 1/2"-5/8" PTC	1,00			--
0007	TBAP40162		TUBE 5/16 RACC L=610 R1 PW-H28	1,00		31/12/2022	--
0007	TBAP40269		HOSE-FITTING 5/16 R1 L=600 3/8F90-3/8F	1,00	01/01/2023		--
0008	Fsvr40008		CLAMP D. 13.5 CLIC	1,00			--
0009	TBBP00051		DETERGENT HOSE D. 6-12	0,80			--
0010	S MFVR40062		CONNECTOR PW-H28 AL. INL.	1,00		31/12/2021	--
0010	S MFVR40099		CONNECTOR PW-H28 AL. INL. 2V.	1,00	01/01/2022		--
0011	LAFN37625		PLUG "U" T-STOP PRM INX	2,00			--
0012	LAFN87846		PLUG "U" P191 INX	2,00			--
0013	S RCDS87759		SMALL PISTON V.SC. P191 OT.	1,00			--
0014	S MLML87845		SPRING D. 7.8 X21 D.2.0 INX	1,00			--
0015	S RCDS40214		BUSHING V.SC. P191/200 OT.	1,00			--
0016	S VTRS00516		WASHER D. 5 INX	2,00			--
0017	S GUGO37529		O-RING D. 5.23 X 2.62 NBR 70SH	1,00			--
0018	S GUGO25527		O-RING D. 14 X 3 NBR 70SH	1,00			--
0019	S RCDS87757		VALVE TAP P191 OT.	1,00			--
0020	MFVR40063		CONNECTOR PW-H28 AL. OUT.	1,00		31/12/2021	--
0020	MFVR40100		CONNECTOR PW-H28 AL. OUT. 2V.	1,00	01/01/2022		--
0021	RCDS40210		CONNECTOR L= 58 2X3/8M CN. ZC.	1,00			--
0022	RCIN03753		MALE COUPLING M22-3/8 M-FA	1,00			--
0023	GUGO27030		O-RING D. 6 X 3 VIT 70SH	1,00			--
0024	RCDS40211		SUMP PW-H28 D.15 OT.	1,00			--
0025	PVVR40413		CAP AR HRM + FORO 1/8G	1,00		31/08/2015	--
0026	RCVR89548		HOSE FITTING "L" 1/8M D.7 OT.NK	1,00			--
0027	VTRS40025		WASHER D. 6.6X11.75X2 OT.	1,00			--
0028	RCDS40266		SLEEVE 1/8-1/4 M/F OT.	1,00	15/11/2017		--
0028	RCVR02593		SLEEVE 1/8-1/4 M/F A5	1,00		14/11/2017	--
0029	MPVR40706		TANK PW-H28 PEHD NT.	1,00			--
0030	MPVR18582		CAP D.22	1,00			--
0031	MPVR40756		TANK CAP KSM C/F.	1,00			--



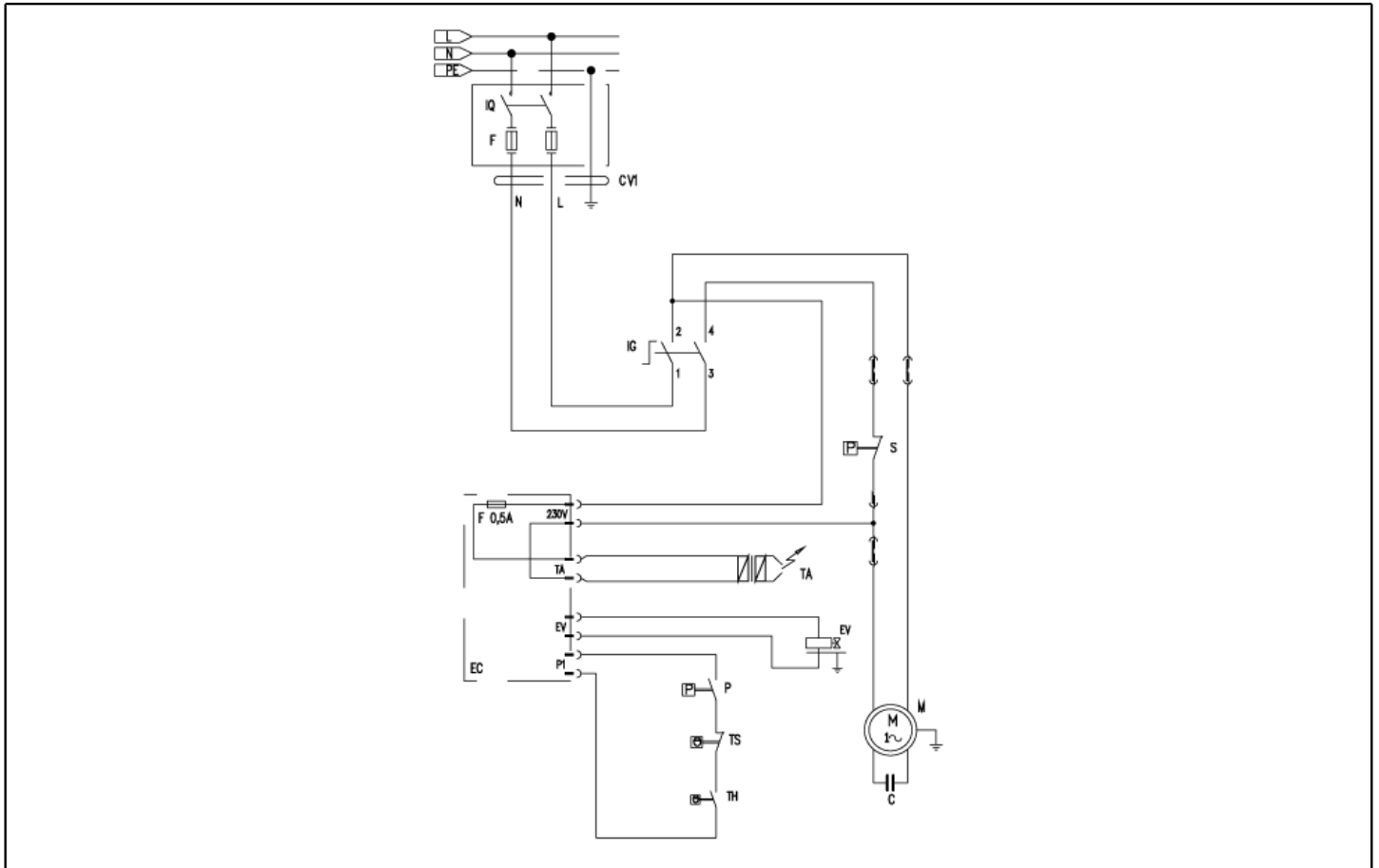
Ref. Part n.	Part n. 2	Description	Reference	Price
KTRI40560		KIT P 14- 66 PW-H28 195b.	0010 0013 0014 0015 0016 0017 0018 0019	--



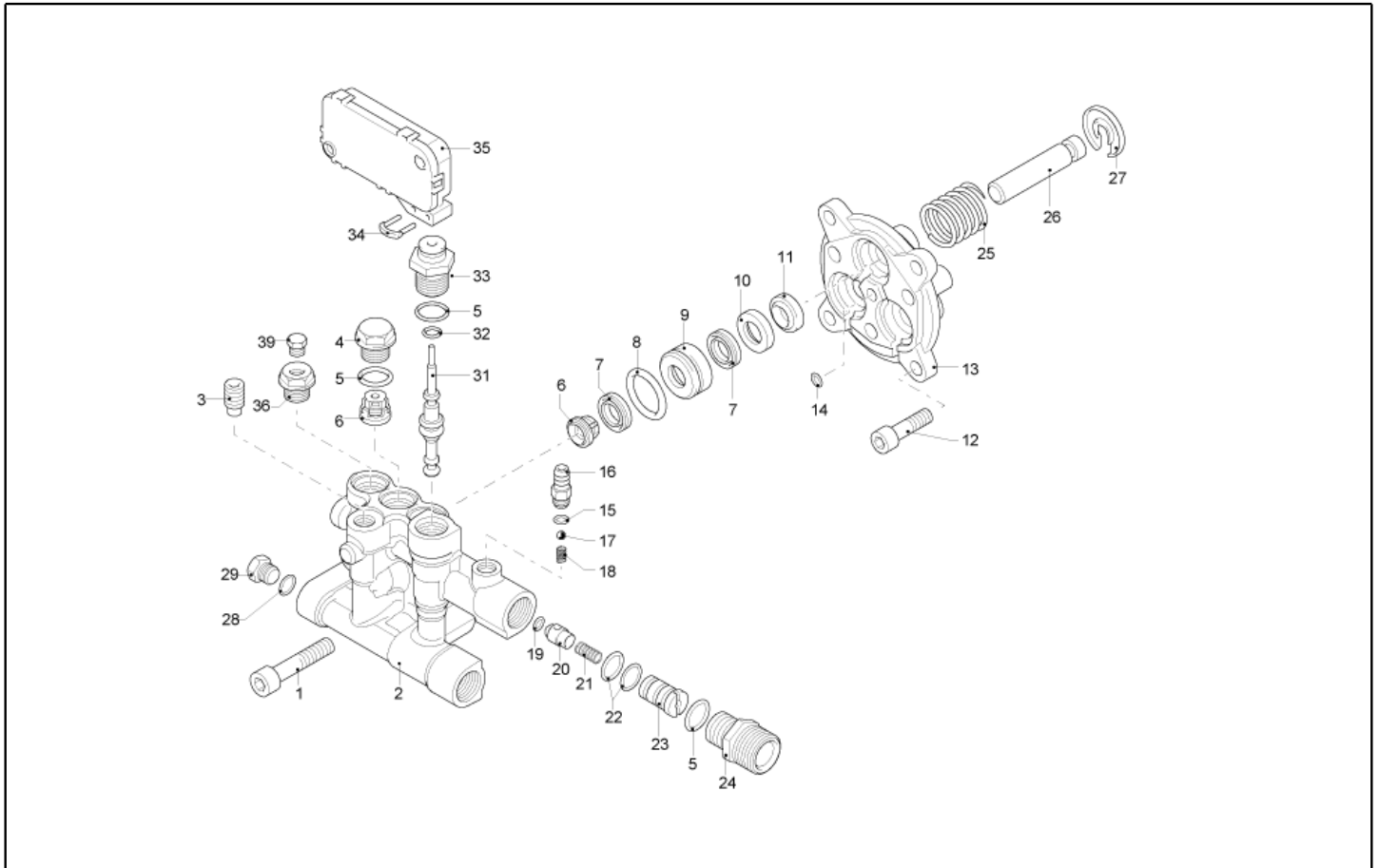
Ref. K	Part n.	Part n. 2	Description	Quantity	Validity		Price
					From	To	
0001	RCDS40208		RING NUT M 27 X 1,5 ZC	2,00			--
0002	GUGO40059		O-RING D. 16 X 4 VIT 70SH	2,00	01/03/2021		--
0002	GUGO89301		O-RING D. 16 X 4 NBR 70SH	2,00		28/02/2021	--
0003	GUVR21021		ANTI-EXTR.RING D. 21 X17 TEF.	2,00			--
0004	LAFN48448		BOILER BOTTOM KSM 2V. ZN	1,00			--
0005	ITTE48373		BOTTOM KSM C.TE	1,00			--
0006	LAFN20108		RING D.298 KSM	1,00			--
0007	TBCO40080		DIESEL HOSE PW-H28/HRM-26 D. 4 IX	1,00			--
0008	LAFN48368		BAND KSM 2V. INX	1,00			--
0009	MECV35334		CABLE A.T. 9.8-23KOHM/M L= 400P	2,00			--
0010	LAGR40031		DOUBLE COIL M27X1.5 H28 26MT. SP.2.35	1,00			--
0011	LAFN40575		INT. CYLINDER MPU-26 CP.INX	1,00			--
0012	LAFN40576		EXT. CYLINDER MPU-26 INX	1,00			--
0013	LAFN40711		BOILER COVER SI MPU.150 INX	1,00			--
0014	LAFN40580		BOILER COVER SE MPU INX	1,00			--
0015	MECB34463		CABLE BT L=800 SP. FD	1,00			--
0016	GUVR25775		GASKET D. 105/88 X 3	1,00			--
0017	LAFN20055		NOSEPIECE KSM	1,00			--
0018	LAFN30294		BAFFLE KSM/AGN	1,00			--
0019	UGBR18630		BURNER NOZZLE 0.75 45 A	1,00	05/12/2016		--
0019	UGBR18630		BURNER NOZZLE 0.75 45 A	1,00		31/08/2016	--
0019	UGBR40002		BURNER NOZZLE 0.75 45 HFD	1,00	01/09/2016	04/12/2016	--
0020	MFVR88612		ELECTR.HOLDER KSM 1/8CN.	1,00			--
0021	RCVR08954		ELBOW 1/8"-4 B5	1,00			--
0022	VTRS07941		WASHER D.11.3X15X1.5 RM	2,00			--
0023	MECA18232		ELECTRODE L=101.5 KSM	2,00			--
0024	LAFN20123		PLATE KSM INX	1,00			--



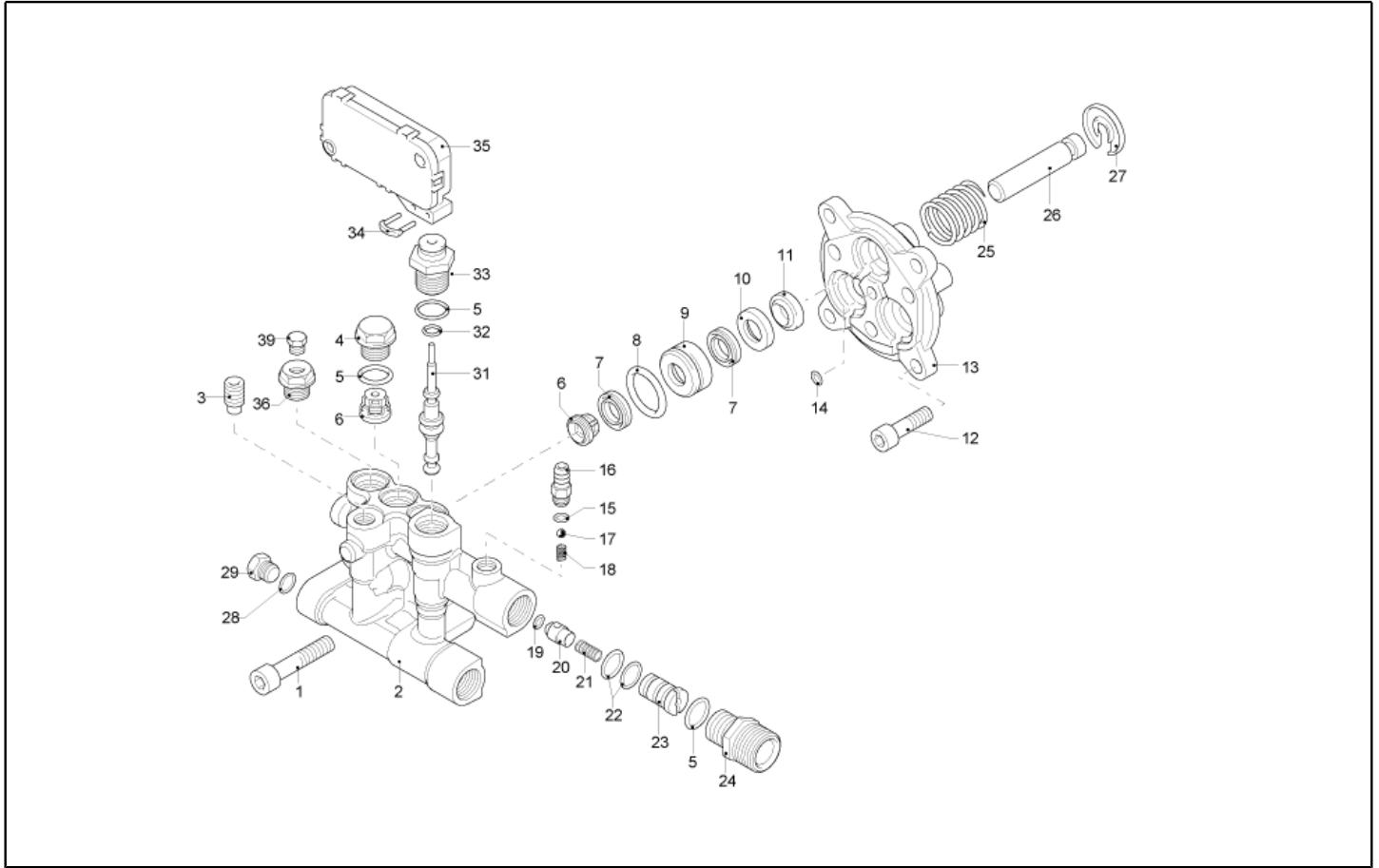
Ref. K	Part n.	Part n. 2	Description	Quantity	Validity		Price
					From	To	
0001	MPVR26987		SCROLL KSM CPL.	1,00			--
0002	VEVR40012		IMPELLER HRM D.140 29P. PA66	1,00			--
0003	RCDS20417		BUSHING KSM	1,00			--
0004	VTAE33647		CIRCLIP D. 19 UNI 7435	1,00			--
0005	FGGT49223		JOINT KSM/P190 2V. PP	1,00			--
0006	PPGS40011		FUEL PUMP DNF BFA 01R3L1	1,00		30/11/2021	--
0006	PPGS48503		FUEL PUMP DLT ALLUM. A1R1	1,00	01/12/2021		--
0007	RCVR40113		HOSE FITTING 1/8 M D. 5- 7 NIK	1,00			--
0008	RCVR72873		HOSE FITTING "L" 1/4M - D.7 OT.NK	1,00	01/12/2021		--
0009	FSVR11197		CLAMP D.12.9-13.6	2,00			--
0010	TBCO06945		L.P. HOSE D. 6-12 10BAR C.PRESS	0,11			--
0011	FTCO10912		FILTER FB 13/T NYL.	1,00			--
0012	RCVR14014		BI-CONE CONNEC. DTT 1/8"M B1 D. 2/ 4 NIK	1,00	01/12/2021		--
0013	MECB41542		CABLE DLT L= 700	1,00			--
0014	GUGO20124		GASKET KSM	1,00			--
0015	MPVR48497		CONVEYOR P190 PA6 BK.	1,00			--
0016	MPVR21415		CLIP KSM	2,00			--
0017	VTVR20127		CLIP KSM	5,00			--
0018	TBCO06945		L.P. HOSE D. 6-12 10BAR C.PRESS	0,60			--
0019	FSVR00427		CLAMP D. 12 CLIC 66-110	2,00			--
0020	VTVR21457		KEY 6X 6X45 U.6604	1,00			--
0021	VTAE40007		CIRCLIP D. 15 UNI 7434 ZC	1,00			--



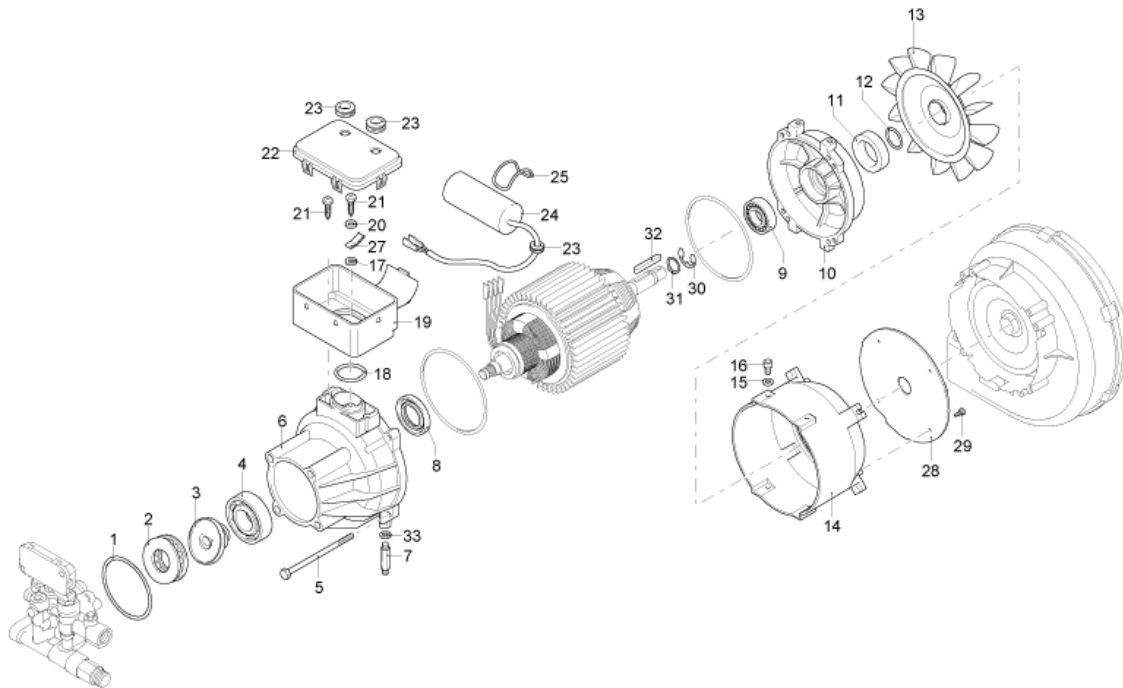
Ref. K	Part n.	Part n. 2	Description	Quantity	Validity		Price
					From	To	
P	MEPF39901		PRESSURE SWITCH MTM 1/4M NA/NC 15B. MICRO	1,00			--
EC	MECE40027		PCB PW-H28 T-ST 3' BASIC	1,00			--
EV	MEBE43705		COIL DNF 220-50	1,00		30/11/2021	--
EV	MEBE49881		COIL DLT 220-50 NF84	1,00	01/12/2021		--
IG	MECI40022		SWITCH BRM BP. 0-1 20A	1,00	01/02/2016		--
IG	MECI40033		SWITCH GTK BP. 0-1 16(8)A	1,00		31/01/2016	--
TA	METR88630		TRANSFORMER 23/240V-5/60HZ 2X26KV TR.	1,00			--
TH	METK40014		THERMOSTAT 40-154° L=1200 NT/133	1,00			--
TS	METK40007		THERMOSTAT 65°C NSP-040 PT RIPR.	1,00		14/11/2021	--
TS	METK40025		THERMOSTAT 65°C SP-140 PT RIPR.	1,00	15/11/2021		--
CV1	MECB21515		CABLE H07 RNF 3X1.5 L=6.500	1,00			--



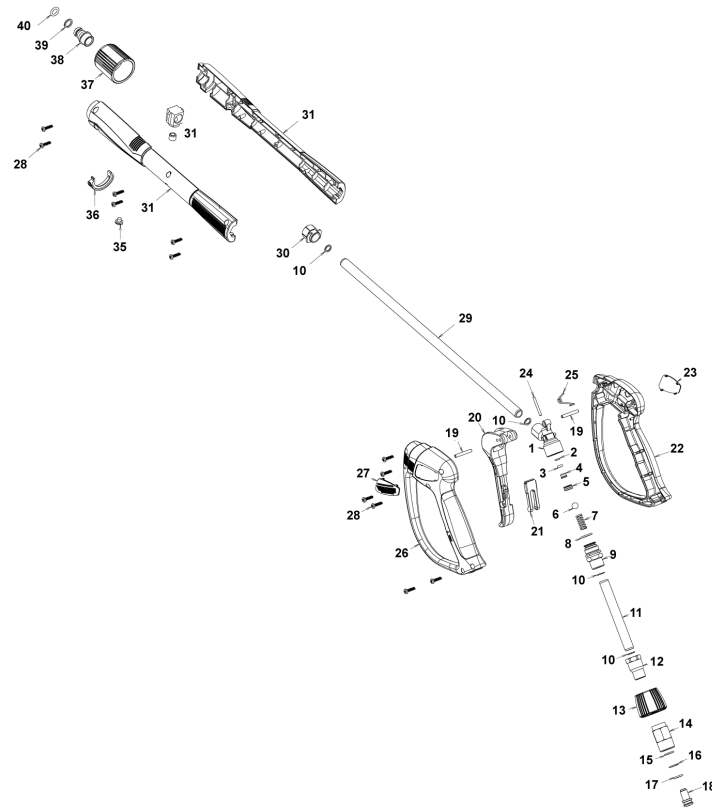
Ref. K	Part n.	Part n. 2	Description	Quantity	Validity		Price
					From	To	
0001	VTVT28306		SCREW TCCE UNI 5931 8X45 ZB	3,00			--
0002	MFVR40059		HEAD AR C23 OT	1,00			--
0003	PVVR40086		CAP EI G 1/4 HRM	1,00			--
0004	PVVR40087		CAP AR HRM	2,00			--
0005	S	GUGO09720	O-RING D. 14 X 1.78 NBR 70SH	6,00			--
0006	S	VVAM40001	VALVE UNIT HRM	6,00			--
0007	S	GUVR40030	PACKING D. 12 HRM	6,00			--
0008	S	GUGO08182	O-RING D. 21.91 X 1.78 NBR 70SH	3,00			--
0009		PVVR40088	PACKING RETAIN. D. 12 HRM	3,00			--
0010		PVVR40089	INTERMED. RING D. 12 HRM	3,00			--
0011	S	GUGO40010	OIL SEAL D. 12 HRM	3,00			--
0012		VTVT01573	SCREW TCEI 8X25 UNI5931	1,00			--
0013		PVVR40090	PISTON FLANGE HRM	1,00			--
0014		GUGO03500	O-RING D. 6.75 X 1.78 NBR 70SH	1,00			--
0015	S	GUGO08071	O-RING D. 4.48 X 1.78 NBR 70SH	1,00			--
0016		PVVR40073	VALVE SEAT 1/8M +PG. D.8 AR	1,00			--
0017		SFVR04274	BALL D. 7/32	1,00			--
0018		MLML40008	SPRING D. 4	1,00			--
0019		GUGO12494	O-RING D. 4 X 2.5 -NBR 70SH	1,00			--
0020		PVVR40091	COUPLING AR HRM	1,00			--
0021		MLML40034	SPRING BY PASS	1,00			--
0022	S	GUGO63403	O-RING D. 8.73 X 1.78 NBR 70SH	2,00			--
0023		PVVR40359	INJECTOR G151	1,00			--
0024		PVVR40092	CONNECTOR AR HRM	1,00			--
0025		MLML40010	SPRING AR HRM	3,00			--
0026	S	PIVR40014	PISTON D.12 HRM	3,00			--
0027		PVVR40093	RING D.12 HRM	3,00			--
0028	S	GUGO01036	O-RING D. 10.82 X 1.78 NBR 70SH	1,00			--
0029		PVVR40129	CAP 1/4 M RC	1,00			--
0031		KTRI40229	KIT P 15-510 PISTON+SPRING TST	1,00			--
0032	S	GUGO01062	O-RING D. 3.69 X 1.78 NBR 70SH	1,00			--
0033		PVVR40097	PISTON GUIDE AR TSS	1,00			--
0034		LAFN40212	PLUG "U" AR TSS	1,00			--
0035		MEPF40005	PRESSURE SWITCH AR TSS 220V N.A.	1,00			--
0036		PVVR40413	CAP AR HRM + FORO 1/8G	1,00			--
0037		RCDS40060	NIPPLE G 3/4NH HRM	1,00			--
0038		PVVR40413	CAP AR HRM + FORO 1/8G	1,00			--
0039		RCDS19214	CAP 1/8 M	1,00			--



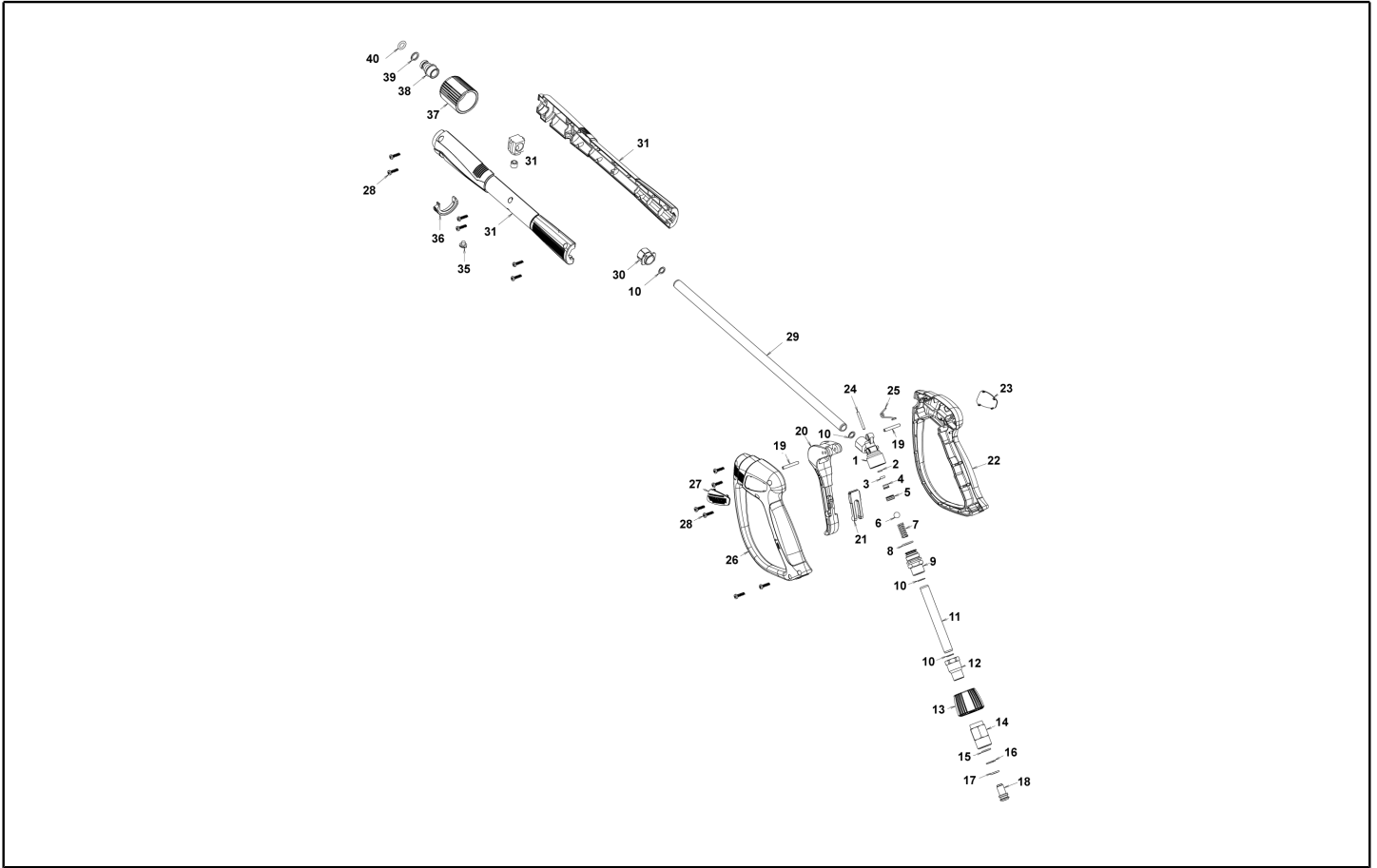
Ref. Part n.	Part n. 2	Description	Reference	Price
KTRI40079		KIT P 15-2233 HRM	0006	--
KTRI40289		KIT P 15-2313 HRM	0026	--
KTRI40081		KIT P 15-42124 HRM	0011	--
KTRI40332		KIT P 15-42438 O-RING HRM-H28	0005 0007 0008 0015 0022 0028 0032	--



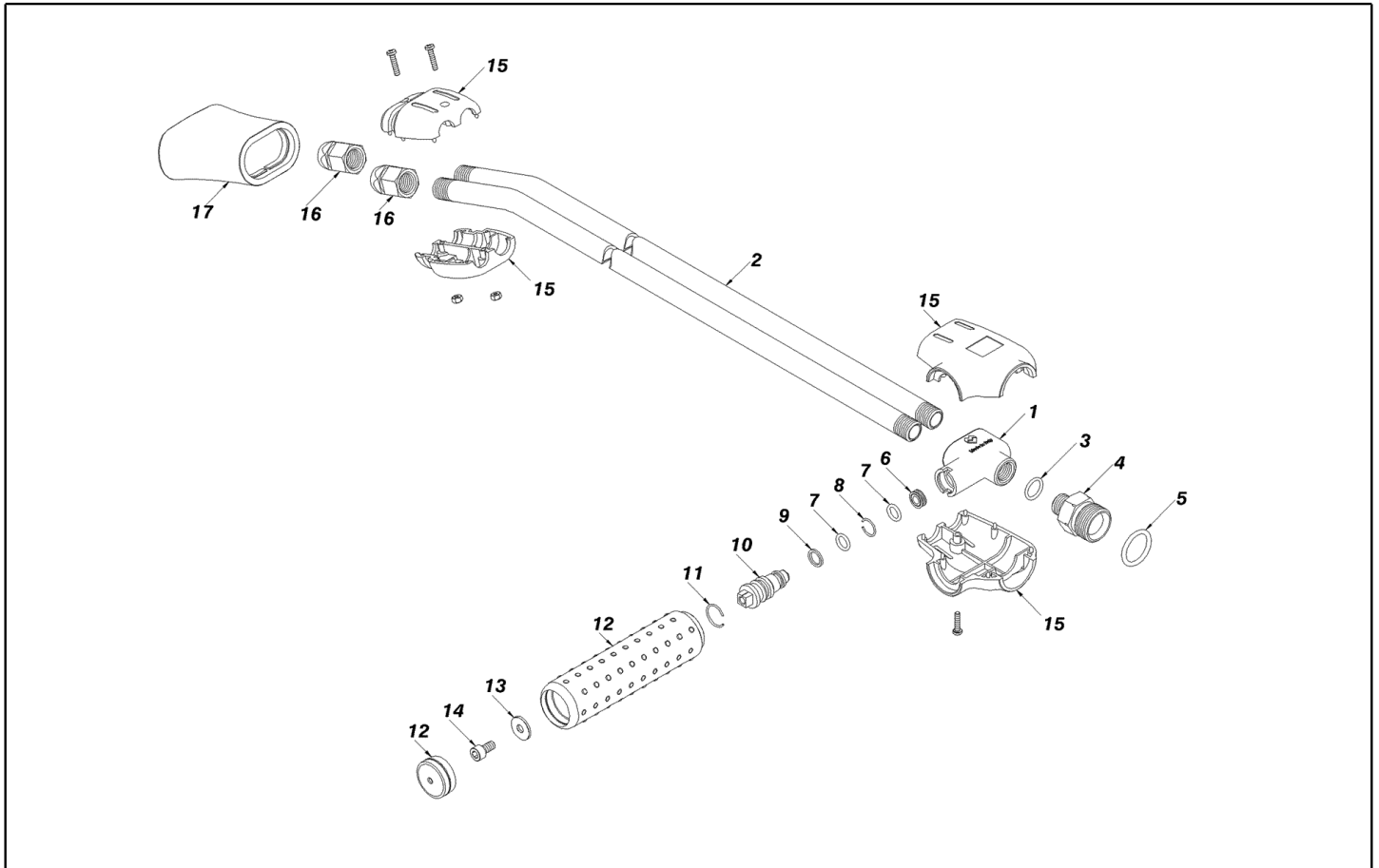
Ref. K	Part n.	Part n. 2	Description	Quantity	Validity		Price
					From	To	
0001	GUGO02261		O-RING D. 71.12 X 2.62 NBR 70SH	1,00			--
0002	CUVR40006		BEARING AR HRM	1,00			--
0003	PVVR40448		CAP HRM 13.5"	1,00			--
0004	CUVR28336		BALL BEARING 6304	1,00			--
0005	VTVT40050		SCREW TE M 5X110	4,00			--
0006	MFVR40016		PUMP CRANKCASE AR HRM	1,00			--
0007	PVVR40416		COLUMN AR	1,00			--
0008	GUVR40082		PACKING OIL HRM	1,00			--
0009	CUVR10025		BALL BEARING 6004-2Z	1,00			--
0010	MFVR40065		SHIELD H 80 HRM-H28	1,00			--
0011	GUGO40011		OIL SEAL HRM	1,00			--
0012	GUGO11652		O-RING D. 12.42 X 1.78 NBR 70SH	1,00			--
0013	VEVR40009		MOTOR FAN FB 80 D.19	1,00			--
0014	MPVR40785		CONVEYOR AR HRM-H28	1,00			--
0015	VTRS00502		WASHER D. 5 0.466 UNI 6592	2,00			--
0016	VTVT01113		SCREW TCEI 5X16 UNI5931	2,00			--
0017	VTRS00501		WASHER D. 4 0.232 UNI 6592	1,00			--
0018	GUGO31518		O-RING D. 31.42 X 2.62 NBR 70SH	1,00			--
0019	MPVR40640		CONTROL BOX AR HRM-O	1,00			--
0020	VTRS00501		WASHER D. 4 0.232 UNI 6592	1,00			--
0021	VTVT67356		SCREW M 4X 12 TCB TC TRIL.	3,00			--
0022	MPVR40168		BOX COVER AR HRM	1,00			--
0023	MEVR40176		FAIR-LEAD HRM-H28	3,00			--
0024	MECO40021		CAPACITOR 40 MF D.50X97	1,00			--
0025	GUGO09674		O-RING D. 48.90 X 2.62 NBR 70SH	1,00			--
0027	MEVR40129		CONNECTOR AR	1,00			--
0028	MPVR40786		SEPARATOR HRM-H28 AR	1,00			--
0029	VTVT01520		SCREW AB 4,2X 9,5 UNI 6954-71	3,00			--
0030	VTAE33647		CIRCLIP D. 19 UNI 7435	1,00			--
0031	VTAE40007		CIRCLIP D. 15 UNI 7434 ZC	1,00			--
0032	VTVR21457		KEY 6X 6X45 U.6604	1,00			--
0033	VTRS40029		WASHER D. 6.2x15x3 ZB	2,00			--



Ref. K	Part n.	Part n. 2	Description	Quantity	Validity		Price
					From	To	
0001	PVVR40381		GUN BODY G 5100 G1/4F	1,00			--
0002	S	GUVR40074	ANTI-EXTR.RING D. 3 X 7.4X1.3	1,00			--
0003	S	GUGO21835	O-RING D. 2.84 X 2.62 VIT. 80SH	1,00			--
0004	PVVR40382		PISTON GUIDE G 5100	1,00			--
0005	S	PVVR40563	BALL SEAT AL36 G6000 + OR	1,00			--
0006	S	SFVR40004	BALL D. 5/16" ALL.GR16	1,00			--
0007	S	MLML40047	SPRING D. 9.4 x23.5x1.6 G6000	1,00			--
0008		GUGO12322	O-RING D. 14 X 1.78 NBR 90SH	1,00			--
0009	PVVR40383		CONNECTOR COLL.G5100 1/4F	1,00			--
0010	VTRS40017		WASHER D. 8.2X11,4X1.00	4,00			--
0011	PVVR40384		TUBE G 1/4" L.105	1,00			--
0012	RCIN40022		CONNECTOR SWIV G5100 1/4F	1,00			--
0013	MPVR40967		RING NUT G 6000 SW. GR.	1,00			--
0014	RCIN40021		JOINT SWIV 5100 M22	1,00			--
0015	S	GUVR40075	ANTI-EXTR.RING D. 10 X14X1.5	1,00			--
0016	S	GUVR40076	ANTI-EXTR.RING D. 11.2X14X1.2	1,00			--
0017	S	GUGO15295	O-RING D. 10.82 X 1.78 VIT 75SH	1,00			--
0018	PVVR40386		SCREW SW. G 5100	1,00			--
0019	VTVR40047		PLUG D. 4X29	2,00			--
0020	MPVR40820		TRIGGER G 6000-SW	1,00			--
0021	MPVR40821		SAFETY-DEVICE G 6000-SW	1,00			--
0022	MPVR40822		SHELL G 6000-SW DX	1,00			--
0023	MPVR40968		PLATE G 6000/2 GR.DX	1,00			--
0024	S	PVVR40564	SMALL PISTON G 6000 AL36 SP.	1,00			--
0025	MLML40029		SPRING G 5100	1,00			--
0026	MPVR40824		SHELL G 6000-SW SX	1,00			--
0027	MPVR40825		PLATE G 6000 GR.SX	1,00			--
0028	VTVT40043		SCREW AF 4X 14 HILO ZN.N	12,00			--
0029	LCPR40181		TUBE 1/4 L=416 ZC. 0°	1,00			--
0030	MPVR40493		CONNECTOR G 5100-SW	1,00			--
0031	MPVR40494		PROTECTION P 420 C/AN.	1,00			--
0035	MPVR40198		CAP G 5000	1,00			--
0036	MPVR40495		CAP G 5100 REM.	1,00			--
0037	PVVR40119		CONNECTION M22X1,5 IRV G5000	1,00			--
0038	RCIN40048		GUDGEON G 1/4 F IRV G6000/2	1,00			--
0039	GUVR40034		ANTI-EXTR.RING D. 10 X14	1,00			--
0040	GUGO63555		O-RING D. 9.3 X 2,4 VIT 75SH	1,00			--



Ref. Part n.	Part n. 2	Description	Reference	Price
KTRI40243		KIT P 26- 26 SWIVEL G 5100	0015 0016 0017	--
KTRI40513		KIT P 26- 36 G 6000/II	0002 0003 0005 0006 0007 0024	--



Ref. K	Part n.	Part n. 2	Description	Quantity	Validity		Price
					From	To	
0001	RCGR40000		TAP BODY L.DOP. 1/4" MV INX	1,00			--
0002	LCPR40000		TUBE 1/4 L=700 CROM.	2,00		30/11/2009	--
0002	LCPR40107		TUBE 1/4 L=700 INX.	2,00	01/12/2009		--
0003	GUGO19194		O-RING D. 11.11 X 1.78 NBR 70SH	1,00		30/09/2010	--
0003	VTRS04931		WASHER COPPER D.13X19X1.5	1,00	01/10/2010		--
0004	RCIN46781		MALE COUPLING MV 1/4 -M 22 M	1,00			--
0005	GUGO01056		O-RING D. 18.72 X 2.62 NBR 70SH	1,00			--
0006	PVVR40019		BUSHING MV LD	1,00			--
0007	GUGO06988		O-RING D. 7.66 X 1.78 NBR 70SH	2,00			--
0008	PVVR40020		CIRCLIP LD MV D. 8	1,00			--
0009	GUGO40002		ANTI-EXTR.RING D. 8 NBR	1,00			--
0010	PVVR40021		REGULAT. SCREW LD MV INX	1,00			--
0011	PVVR46783		CIRCLIP LD MV	1,00			--
0012	PVVR46784		KNOB LD MV +CAP	1,00			--
0013	VTRS15958		WASHER UNI 6592 5X15X1,5 ZB	1,00			--
0014	VTVT17639		SCREW TCEI M 5X10 UNI 5931	1,00			--
0015	MPVR46786		PROTECTION LD/TB MV	1,00			--
0016	RCVR46787		NOZZLE HOLDER 1/4-1/4 F MV	12,00			--
0017	PVVR46788		PROTECTION LD MV	1,00			--