



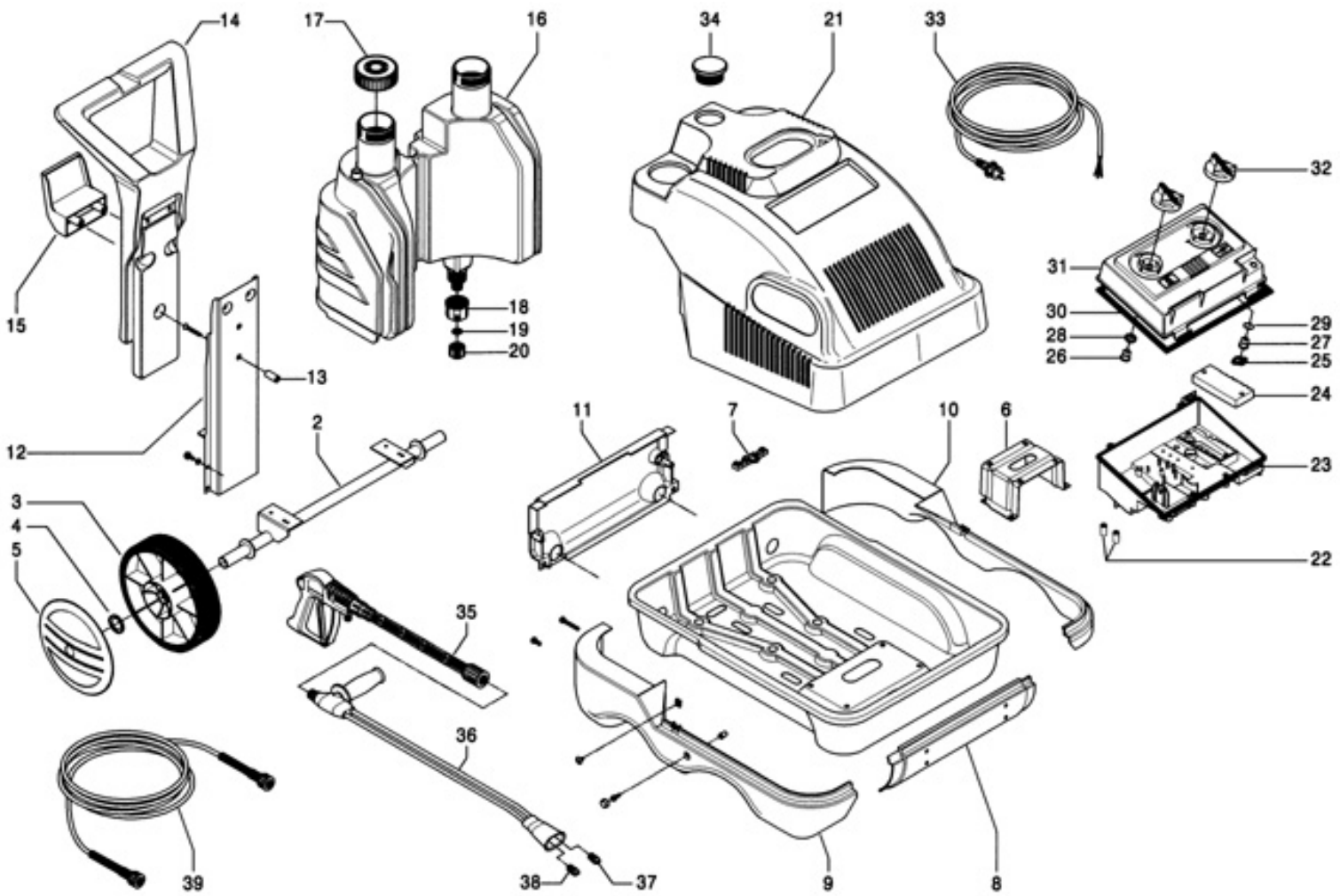
FOMA Norge AS
Regnbuevn. 6
1405 Langhus
Telefon: 64 91 70 00
Telefax: 64 86 76 22
E-post: info@foma.no
Internett: www.foma.no

Spare Parts List

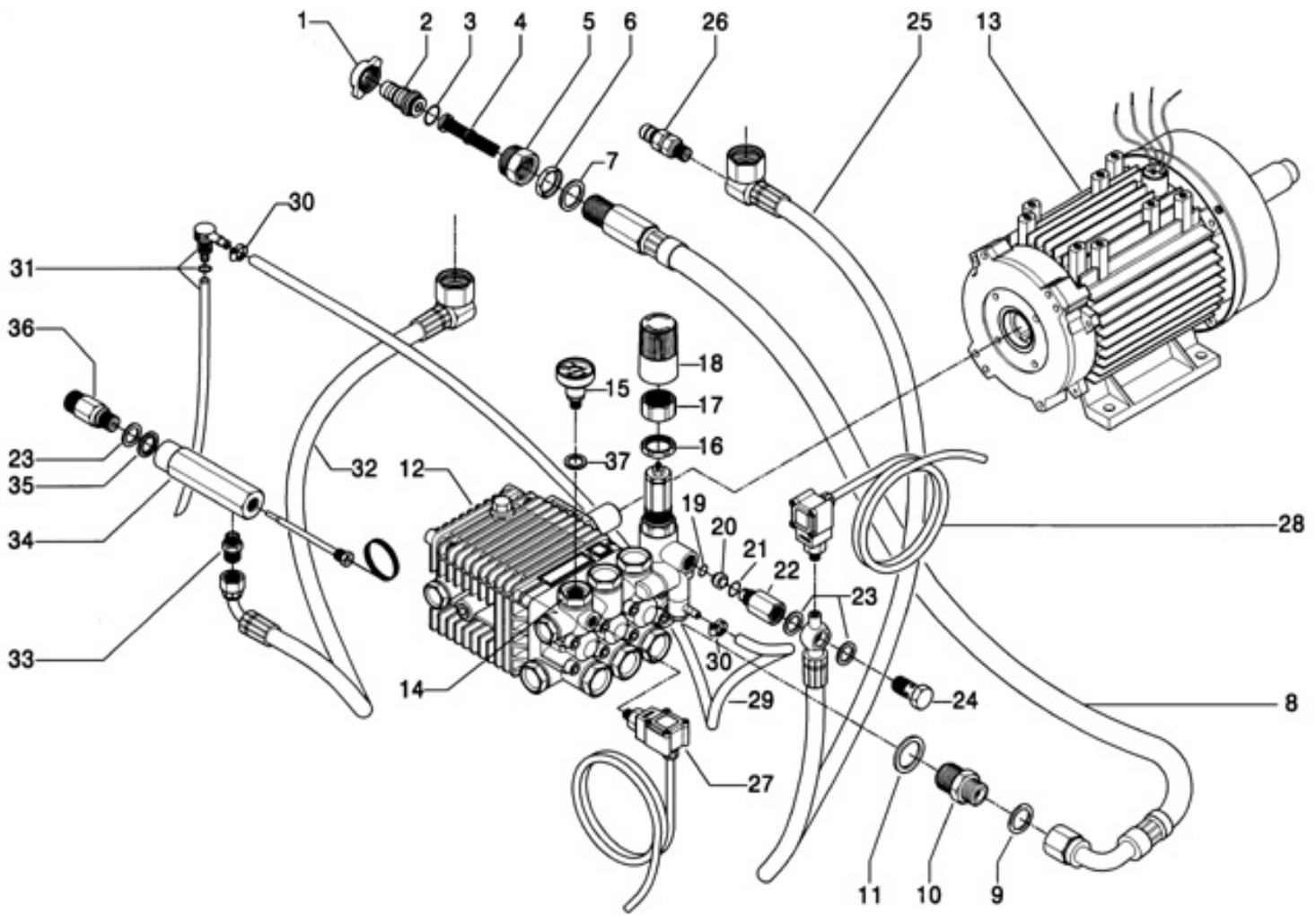
FOMA NORGE AS

Ref: IDAC46241 - 121240

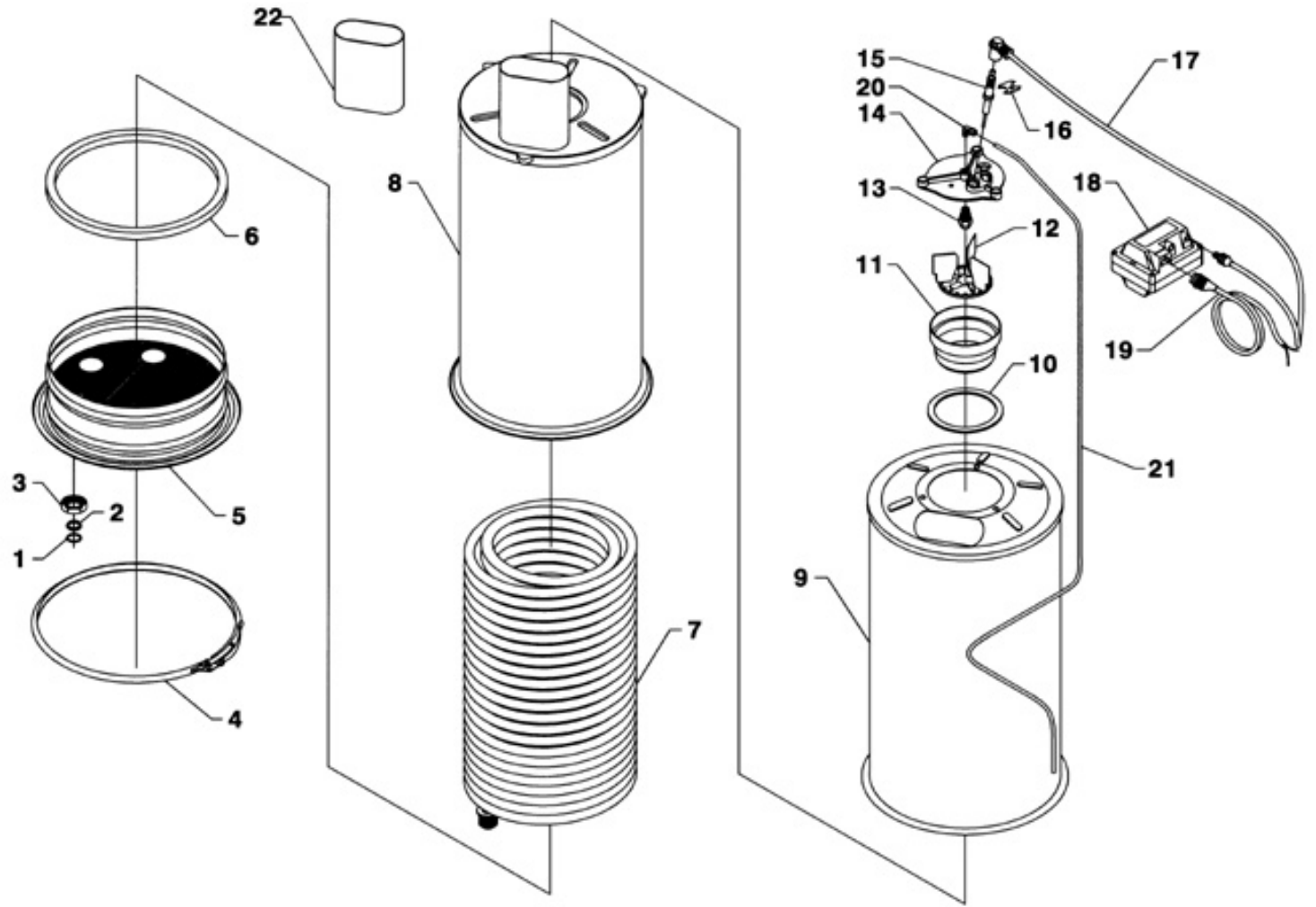
Model: Powerwash 140 TST



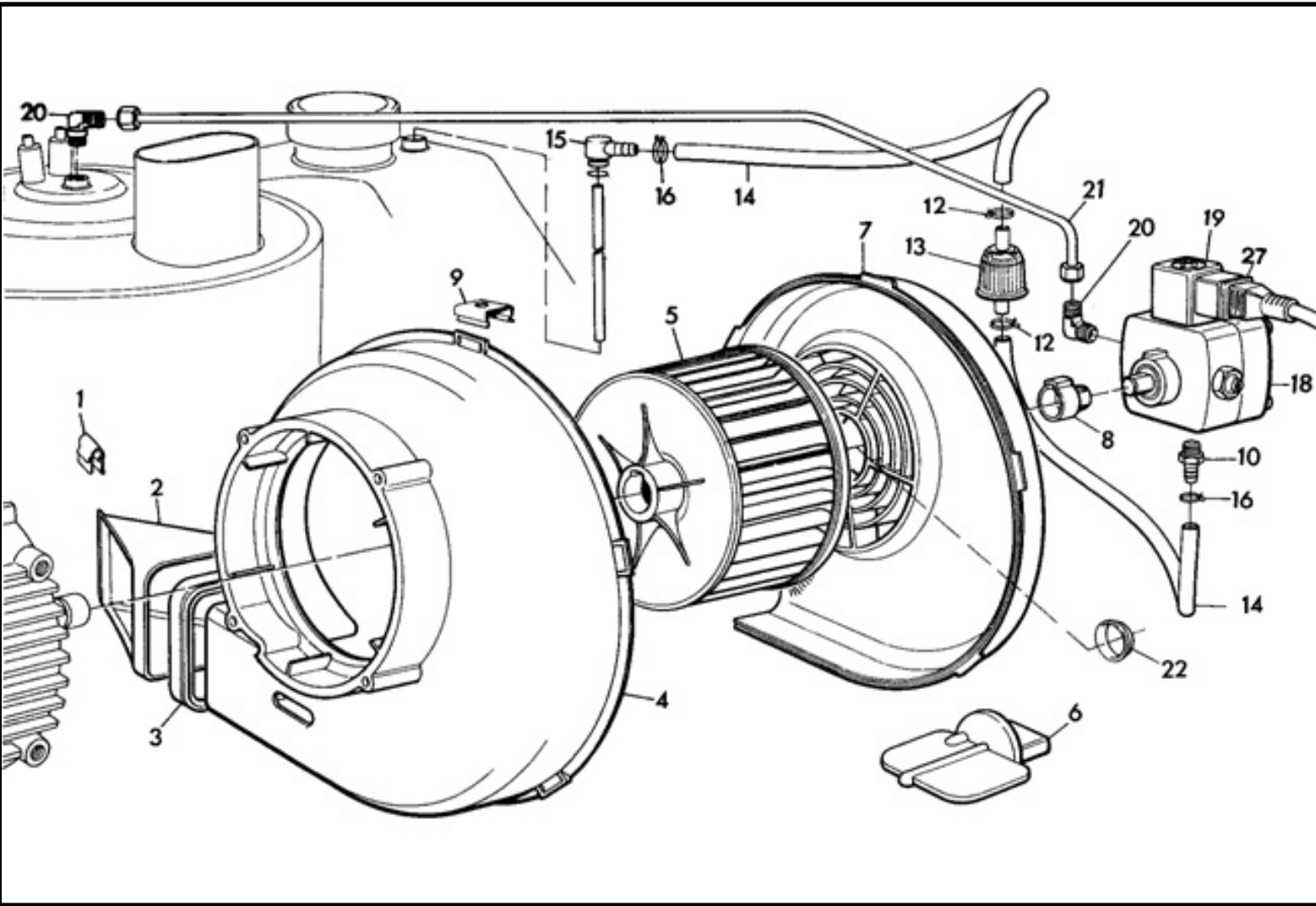
Ref.	K	Part N.	Customer Part N.	Description	Qty	Validity:	
						From	To
0001		LAFN19944		CHASSIS KSM	1,00		
0002		LAFN39505		TROLLEY AXLE SLV J.	2,00		
0003		RTRT24320		WHEEL D.250-D.25 RT-PRT	4,00		
0004		VTRS09813		WASHER D.25	4,00		
0005		MPVR25910		RED WHEEL COVER. 250 RT/PRT	4,00		
0006		LAFN19956		MOTOR PLATE KSM	1,00		
0007		MEVR20906		CABLE FASTNER KSM	1,00		
0008		MPVR29636		BAND SLR ANT	1,00		
0009		MPVR29634		BAND SLR DX	1,00		
0010		MPVR29633		BAND SLR SX	1,00		
0011		MPVR29635		BAND SLR PST	1,00		
0012		LAFN19954		SUPPORT KSM	1,00		
0013		LAFN22115		SPACER 14X27 D.8 KSM	1,00		
0014		MPVR27897		HANDLE AGN "ELK"	1,00		
0015		LAFN20105		HOSE SUPPORT KSM	1,00		
0016		MPVR20135		TANK KOSMIC J.	1,00		
0017		MPVR20418		TANK CAP KSM	2,00		
0018		MPVR20187		RING NUT M 39 X 3	2,00		
0019		GUGO11489		GASKET D.22X1,5	2,00		
0020		PVVR11806		DISCHARGE CAP FLL	2,00		
0021		MPVR46174		RED COVER SLR PP C/F.LT	1,00		
0022		MPVR43239		SPACER D. 7-22 L=15 SLR PVC	4,00		
0023		LAFN20138		CONTROL BOX KSM	1,00		
0024		MPVR20143		CABLE CLAMP COVKSM	1,00		
0025		MPVR41903		THICKNESS TERM.IM.PA66	1,00	11/1999	
0026		MPVR23482		TAIL PIECE TEC. TUV	1,00		
0027		MPVR23484		TAIL PIECE THERM.KSM TUV	1,00		
0028		GUGO23079		V-SEAL RING VA0014 13.5- 15.5	1,00		
0029		GUGO01035		O-RING D. 13.95 X 2.62 NBR 70SH	1,00		
0030		GUGO27129		JOINT 10X3	1,05		
0031		LAFN20139		BOX COVER KSM M.	1,00		
0032		MPVR20190		GREY KNOB KSM	2,00		
0033		MECB21515		CABLE H07 RNF 3X1.5 L=6.500	1,00		
0034		MPVR43241		CAP SLR PVC	1,00		
0035		IPPR43066		GRIP G 2200 +PR.330 +1/4 M	1,00		
0036		LCPR12982		DOUBLE EXTENS. PD 50	1,00		
0037		UGLN05174		NOZZLE 1/4 5040 OT	1,00		
0038		UGLN02287		NOZZLE 1/4 2504	1,00		
0039		TBAP26473		H.P. HOSE R1 MT 8 D.6 IRV F - 1/4F	1,00		



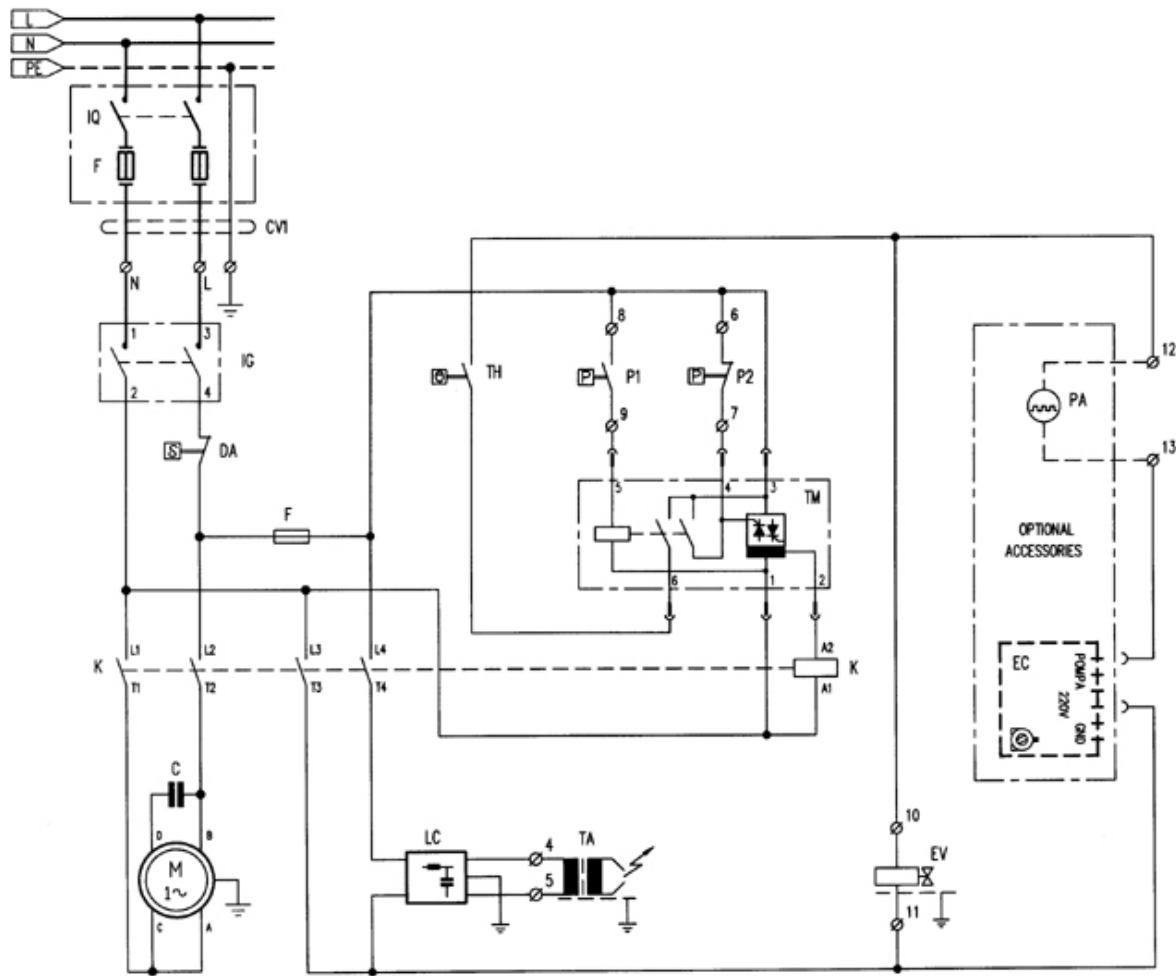
Ref.	K	Part N.	Customer Part N.	Description	Qty	Validity: From To
0001		RCDS09316		CONNECTION G. 3/4	1,00	
0002		RCDS08965		HOSE FITTING OTT.	1,00	
0003		GUGO01054		O-RING D. 15.08 X 2.62 NBR 70SH	1,00	
0004		FTAC30214		FILTER D.15X67	1,00	
0005		RCDS28900		SLEEVE 3/4-1/2 M/F MTH	1,00	
0006		RCDS21223		RING NUT 1/2" X 4 NIK	1,00	
0007		VTRS00549		WASHER D.21,5X27X1.5 (1/2) RM	1,00	
0008		TBBP30410		L.P. HOSE L=940 1/2 0° -90°F 2.VRS	1,00	
0009		GUGO36764		GASKET D. 11- 18.5X 2 80SH	1,00	
0010		RCDS19871		NIPPLE 1/2 - 1/2 D.10	1,00	
0011		GUGO01032		O-RING D. 17.13 X 2.62 NBR 70SH	1,00	
0012		PPAP24409		PUMP WW 95 DX B T.INT.I.1,8	1,00	
0013		MOMO24015		1PH MOTOR KSM HP2.5 230-50 2P H80IP	1,00	
0014		RCDS43252		CAP M24X1,5 + 1/8F WW1509 OT	1,00	
0015		MNMN37538		PRESSURE GAUGE 0-160 G1/8M "R" D.40	1,00	
0016		RCDS21788		RING NUT M 28 X 1.5 L=16	1,00	
0017		VTDD21787		NUT M28X1.5 L=5	1,00	
0018		PVVR22163		KNOB L=60 V.INT.	1,00	
0019		GUGO03501		O-RING D. 9.92 X 2.62 VIT 70SH	1,00	
0020		UGEI09723		NOZZLE D. 1,8 KR OT58	1,00	
0021		GUGO03507		O-RING D. 13.95 X 2.62 VIT 70SH	1,00	
0022		RCDS19348		CONNECTOR 3/8M-F D.3 L=45	1,00	
0023		VTRS00548		WASHER D.17,5X22X1,5 (3/8)RM	1,00	
0024		RCDS01371		SCREW G 3/8 A.P.	1,00	
0025		TBAP43242		HOSE-FITTING 3/ 8 R2 L=560 3/8OC.-PM26	1,00	
0026		VVSC39719		VALVE MG 2000 G1/4M 220B MIGNON	1,00	
0027		MEPF39902		PRESSURE SWITCHMTM 1/4M NA/NC 25B. MICRO	1,00	
0028		MEPF39741		PRESSURE SWITCHMTM 1/8M NA/NC 25B. MICRO	1,00	
0029		TBBP04917		L.P. HOSE D. 6- 9	1,00	
0030		FSVR00427		CLAMP D. 12 CLIC 66-110	2,00	
0031		RCDS20136		SUCTION L= 355 C.	1,00	
0032		TBAP20184		HOSE-FITTING 3/ 8 R2 L=320 3/8F90-PM26	1,00	
0033		RCDS20186		NIPPLE 3/8 - 14X1.5 SV	1,00	
0034		RCDS19322		BLOC BODY 3/8F-M14	1,00	
0035		VTRS22537		WASHER D. 16	1,00	
0036		RCDS13012		NIPPLE M22-3/8 D. 7.5	1,00	
0037		VTRS40960		WASHER D.13.5X19 X4 AL.	1,00	



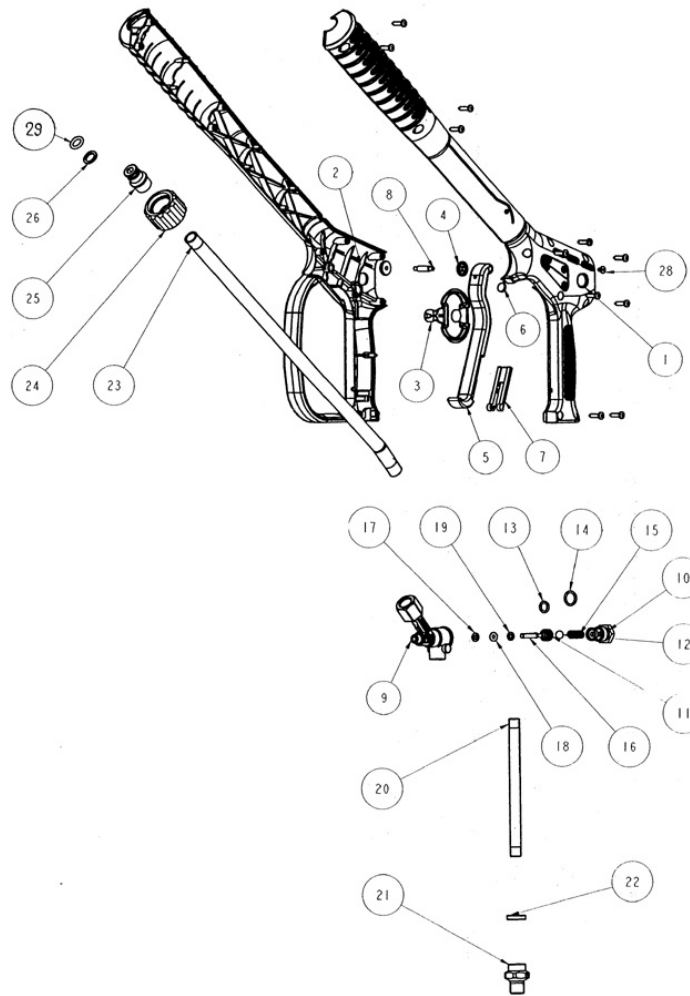
Ref. K	Part N.	Customer Part N.	Description	Qty	Validity:	
					From	To
0001	GUGO21222		O-RING D. 15.54 X 2.62 VIT 80SH	2,00		
0002	GUVR21021		ANTI-EXTR.RING D. 21 X17 TEF.	2,00		
0003	RCDS21120		RING NUT M 26 X 1,5	2,00		
0004	LAFN20108		RING D.298 KSM	1,00		
0005	LAFN20109		BOILER BOTTOM KSM D.280	1,00		
0006	GUVR21756		FIB.GLASS CORD D. 12 GR/M 25	0,85		
0007	LAFN27133		DOUBLE COIL M26X1.5 KSM 20M	1,00		
0008	LAFN20115		INT. CYLINDER KSM INX	1,00		
0009	LAFN19952		EXT. CYLINDER KSM INX	1,00		
0010	GUVR25775		GASKET D. 105/88 X 3	1,00		
0011	LAFN20055		NOSEPIECE KSM	1,00		
0012	LAFN30294		BAFFLE KSM/AGN	1,00		
0013	UGBR18630		BURNER NOZZLE 0.75 45 A	1,00		
0014	MFVR19964		ELECTR.HOLDER KSM	1,00		
0015	MECA18232		ELECTRODE L=101.5 KSM	2,00		
0016	LAFN20123		PLATE KSM INX	1,00		
0017	MECV35336		CABLE A.T. 9,8-23KOHM/M L= 750P	2,00	07/1999	
0018	METR34464		TRANSFORMER 230V-50HZ 2X4000V SP4 CM	1,00		
0019	MECB34463		CABLE BT L=800 SP.	1,00		
0020	RCVR08954		ELBOW 1/8"-4 B5	1,00		
0021	TBCO20188		DIESEL HOSE D. 4 KSM	1,00		
0022	LAFN43244		CHIMNEY EXTENS.KSM H.70 INX	1,00		



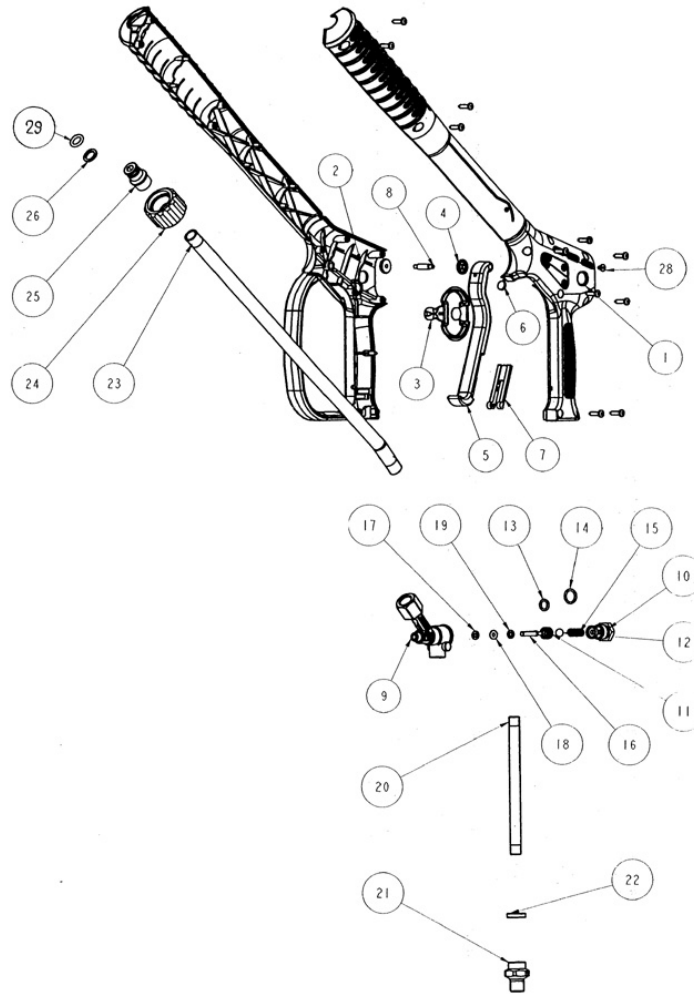
Ref. K	Part N.	Customer Part N.	Description	Qty	Validity:	
					From	To
0001	MPVR21415		CLIP KSM	2,00		
0002	MPVR20114		CONVEYOR KSM	1,00		
0003	GUGO20124		GASKET KSM	1,00		
0004	MPVR20125		SCROLL BODY KSM PP	1,00		
0005	VEVR20128		IMPELLER KSM D.140 29P. PA66	1,00		
0006	MPVR20129		BUTTERFLY VALVEKSM PP	1,00		
0007	MPVR20126		VENTILATOR COV.KSM PP	1,00		
0008	FGGT20133		JOINT KSM	1,00		
0009	VTVR20127		CLIP KSM	5,00		
0010	RCDS00626		HOSE FITTING 1/4 M D. 5- 7	1,00	12/2000	
0012	FSVR11197		CLAMP D.I. 11 13315	2,00		
0013	FTCO10912		FILTER D.7	1,00		
0014	TBCO06945		L.P. HOSE D. 6-12 10BAR	0,30		
0016	FSVR00427		CLAMP D. 12 CLIC 66-110	2,00		
0018	PPGS43706		FUEL PUMP DNF BFPC21R3L1	1,00	12/2000	
0019	MEBE43705		COIL DNF 220-50	1,00	10/2000	
0021	TBCO20188		DIESEL HOSE D. 4 KSM	1,00		
0022	LAFN21890		BUSHING D. 25	1,00		
0027	MECB43707		CABLE DNF L=1300	1,00	10/2000	



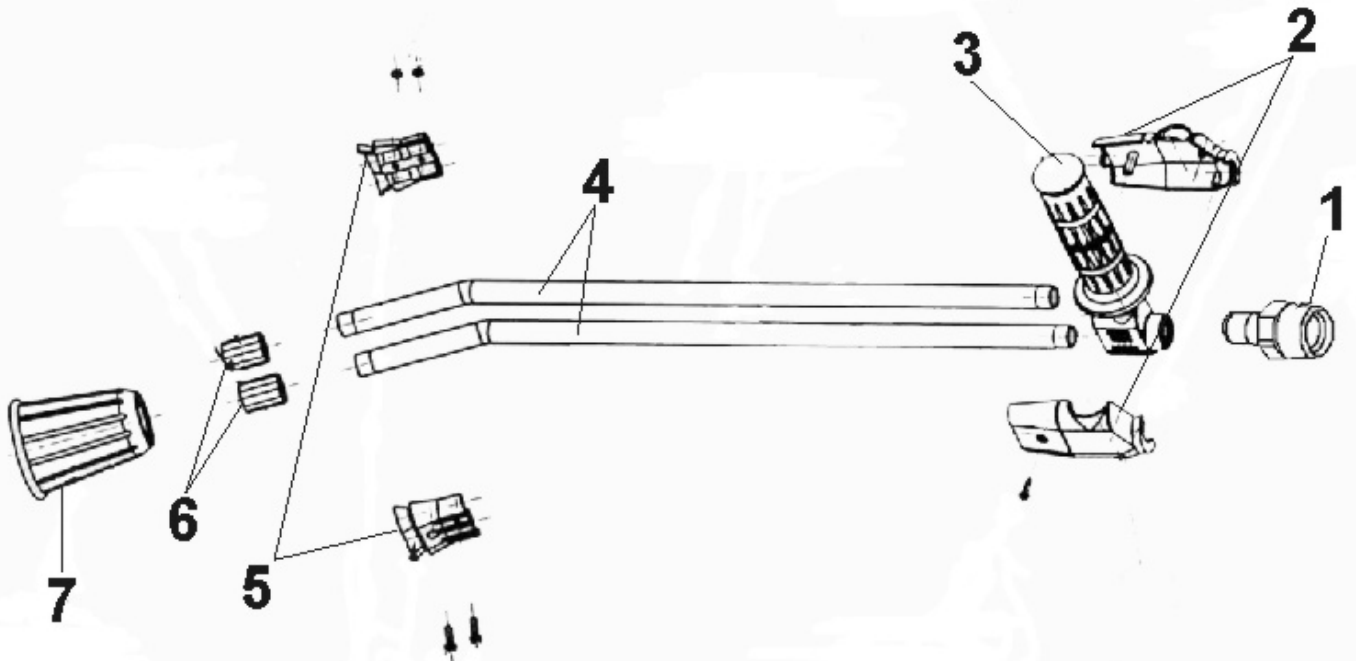
Ref. K	Part N.	Customer Part N.	Description	Qty	Validity:	
					From	To
C	MEC020194		CAPACITOR 60MF +M8 D.55X 95	1,00	09/2001	
F	MEVR00237		FUSE 5X20 3,15A	1,00		
K	METT32202		CONTACTOR MC1 A 400A T6 230V 50/60	1,00		
M	MOMO24015		1PH MOTOR KSM HP2.5 230-50 2P H80IP	1,00		
DA	METT27870		GROUND PROTECT.WEBER T11-211 12A	1,00		
EV	MEBE43705		COIL DNF 220-50	1,00		
IG	MECI21622		SWITCH TEC 20A HD2002 R000	1,00		
LC	MECE34831		FILTER LC F.AH.DA.3100ZF 6.5A	1,00		
P1	MEPF39741		PRESSURE SWITCHMTM 1/8M NA/NC 25B. MICRO	1,00		
P2	MEPF39902		PRESSURE SWITCHMTM 1/4M NA/NC 25B. MICRO	1,00		
TA	METR34464		TRANSFORMER 230V-50HZ 2X4000V SP4 CM	1,00		
TH	METK19354		THERMOSTAT 0-150° L=1200	1,00		
TM	METY42780		TIMER THV/2+RL.15-250V 5/60 30S	1,00		
CV1	MECB21515		CABLE H07 RNF 3X1.5 L=6.500	1,00		



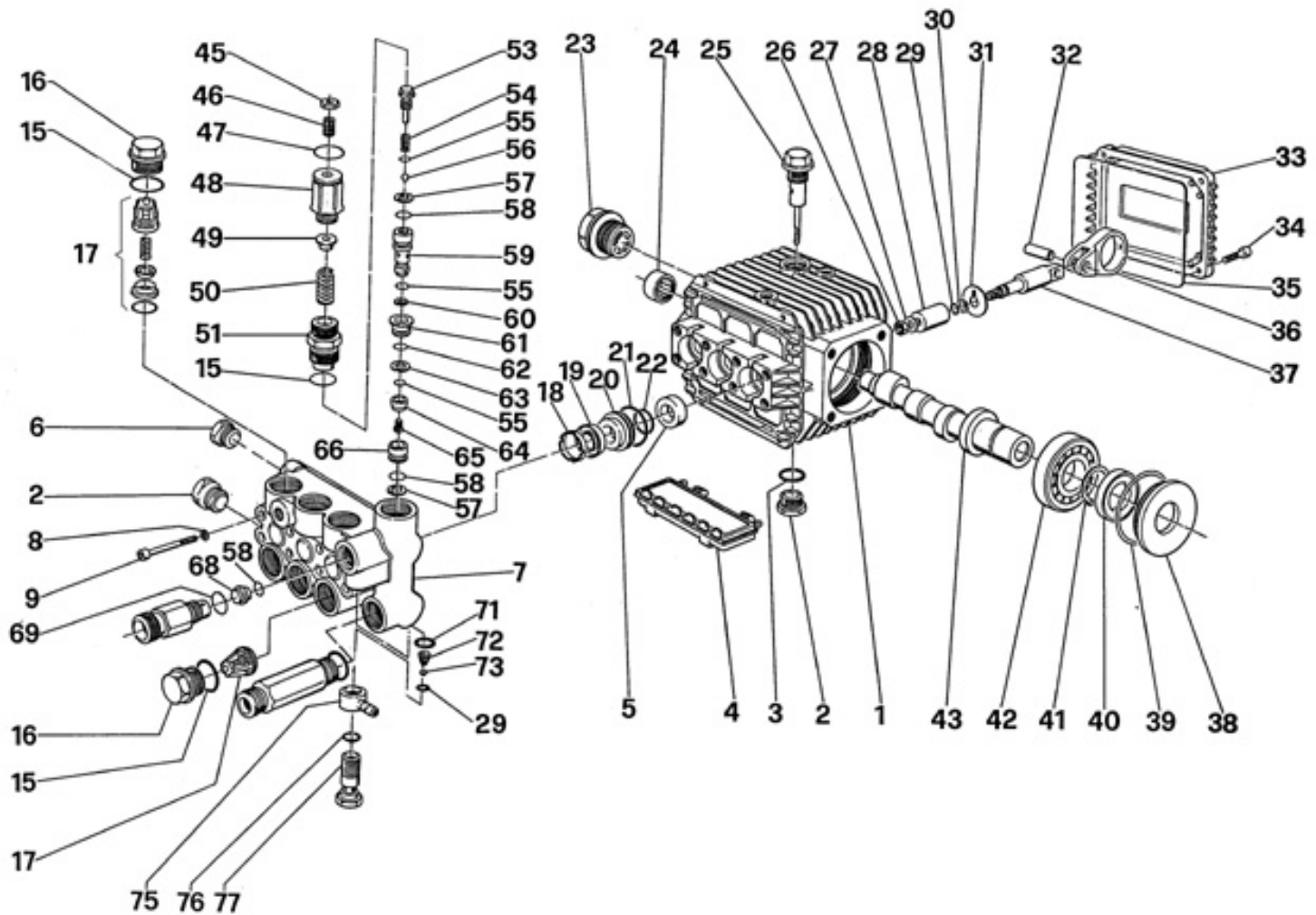
Ref. K	Part N.	Customer Part N.	Description	Qty	Validity:	
					From	To
0001	MPVR43269		HALF BEARING G2200 SX PRT	1,00		
0002	MPVR43268		HALF BEARING G2200 DX PRT	1,00		
0003	MPVR43270		CAP G2200	1,00		
0004	VTRS41562		WASHER AURA 200	2,00		
0005	MPVR41568		TRIGGER AURA 200	1,00		
0006	PVVR41567		PAWL AURA 200 INX	1,00		
0007	MPVR41569		SAFETY-DEVICE AURA 200	1,00		
0008	VTVR41566		PLUG AURA 200	1,00		
0009	PVVR41559		GUN BODY AURA G1/4 L.18	1,00		
0010	E PVVR43275		CAP M14X1 AURA 200 2.V	1,00		
0011	E PVVR43274		BALL SEAT AURA 200 2.V	1,00		
0012	E SFVR12904		BALL D. 9/32 W1 INX	1,00		
0013	E GUGO63426		O-RING D. 7.66 X 1.78 NBR 90SH	1,00		
0014	E GUGO19194		O-RING D. 11.11 X 1.78 NBR 70SH	1,00		
0015	E MLML41571		SPRING D. 7 X21 D.1.2	1,00		
0016	S PVVR43264		SMALL PISTON AURA 200 INX L=30 2V.	1,00		
0017	S GUVR41557		ANTI-EXTR.RING D. 4 X 7.8X1.2	1,00		
0018	S GUGO01201		O-RING D. 3.6 X 2.4 -NBR 70SH	1,00		
0019	S VTRS43265		WASHER OT AURA	1,00		
0020	PVVR43272		TUBE G 1/8" M/M L.133	1,00		
0021	RCIN41560		MALE COUPLING G1/4 -1/8F	1,00		
0022	MPVR43271		WASHER 1/8" G2200	1,00		
0023	LCPR43273		TUBE 1/4 L=384 0° 1/4 M-M INX	1,00		
0024	PVVR43276		CONNECTION M22X1,5 IRV	1,00		
0025	RCIN43267		GUDGEON G 1/4 F IRV	1,00		
0026	GUVR43266		ANTI-EXTR.RING SR 110	1,00		
0028	PVVR42233		CAP D. 3 PLS GRN.	1,00		
0029	GUGO28927		O-RING D. 9.13 X 2.62 NBR 70SH	1,00		



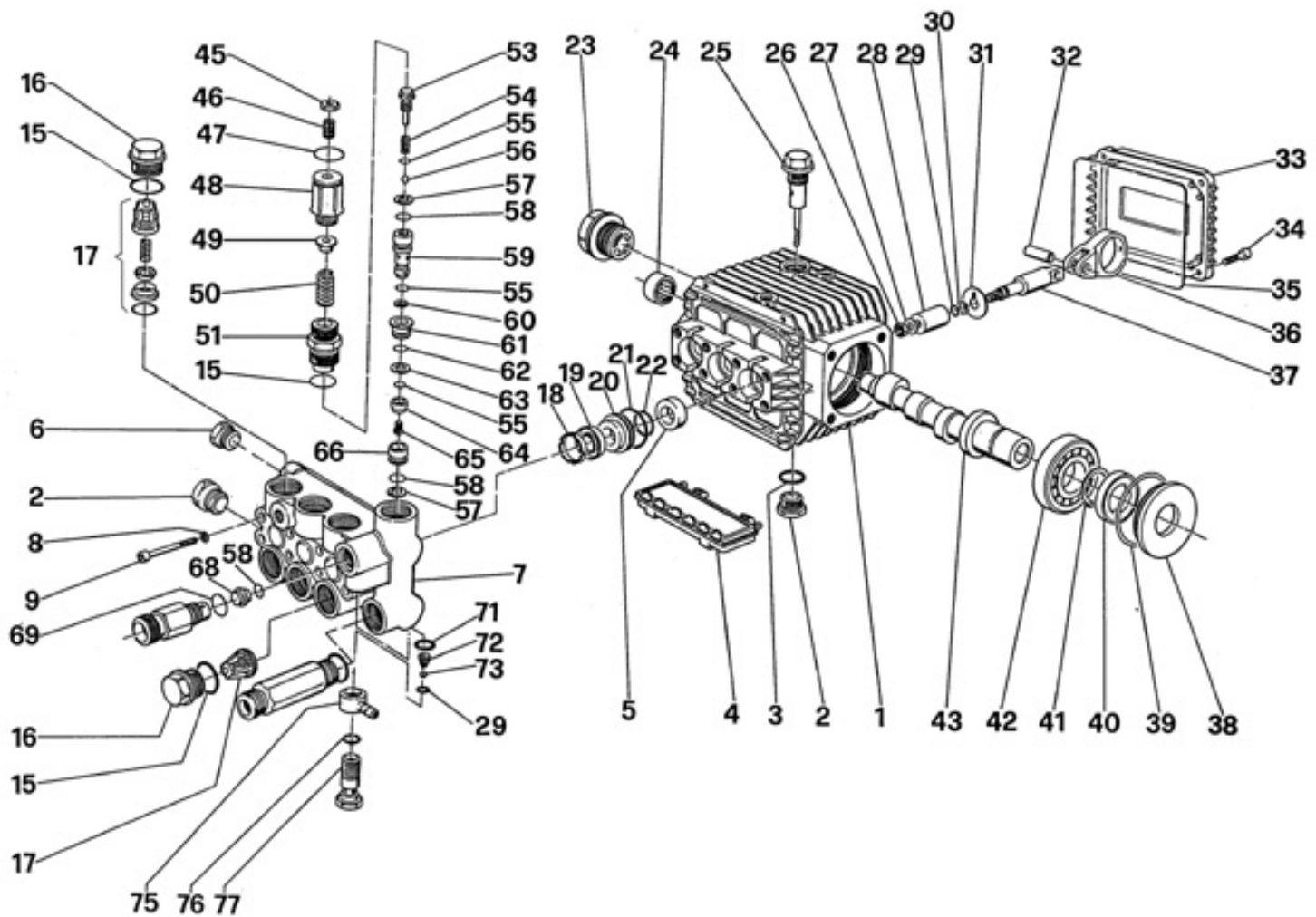
Ref. Part N.	Cust. Part N.	Description	Reference
KTRI40835	KIT P	26- 15 AURA 200	0011 0012 0013 0014 0015 0016 0017 0018 0019
KTRI47792	KIT P	26- 20 AURA 200	0010 0011 0012 0013 0014 0015



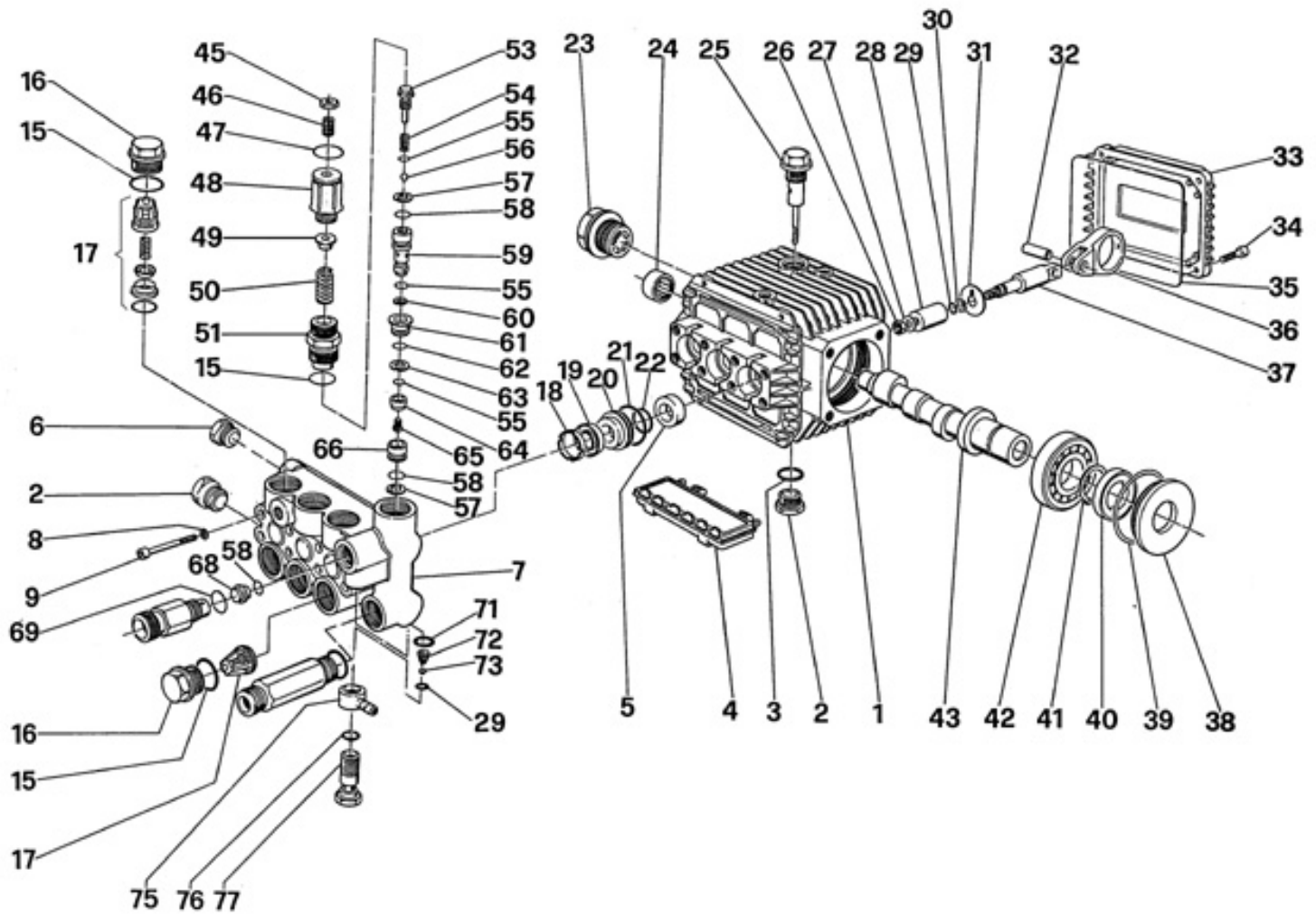
Ref. K	Part N.	Customer Part N.	Description	Qty	Validity:	
					From	To
0001	PVVR45296		COUPLING G 1/4M -M22 M	1,00		
0002	MPVR45214		PROTECTION TB.1/4 MTM	1,00		
0003	RCGR45737		TAP 1/4 F LD MTM	1,00		
0004	LCPR45738		TUBE 1/8 L=500 INOX MTM	2,00		
0005	MPVR45001		SHELL LD MTM	1,00		
0006	RCVR45741		NOZZLE HOLDER 1/4-1/8 F MTM	2,00		
0007	PVVR43810		PROTECTION L.D. MTM	1,00		



Ref.	K	Part N.	Customer Part N.	Description	Qty	Validity:	
						From	To
0001		MFVR12641		PUMP CRANKCASE WW 90B - 93B	1,00		
0002		RCDS01090		CAP 3/8X13 M WW90	2,00		
0003		GUGO01035		O-RING D. 13.95 X 2.62 NBR 70SH	1,00		
0004		PVVR43778		PROTECTION WW S.51	1,00		
0005	S	GUGO09690		OIL SEAL 15X 24X 5 NBR70	3,00		
0006		RCDS01088		CAP 1/4X 9 M WW90	1,00		
0007		MFVR18931		HEAD WW 90 OT. V.INT. D.15	1,00		
0008		VTRS01077		WASHER D. 6,4X10X0,7	12,00		
0009		VTVT06236		SCREW TCEI 6X40 UNI5931	8,00		
0015	S	GUGO01033		O-RING D. 20.24 X 2.62 NBR 90SH	7,00		
0016		RCDS43779		CAP M 24X1,5X11,2 WW	6,00		
0017	S	VVAM28467		VALVE UNIT "44" WW136-186	6,00		
0018	S	PVVR09327		HEAD RING D. 15	3,00		
0019	S	GUVR09324		PACKING D. 15 TURBO	3,00		
0020	S	PVVR09687		PACKING RETAIN.D. 15 BJ	3,00		
0021	S	GUGO03506		O-RING D. 25.12 X 1.78 NBR 70SH	3,00		
0022	S	GUGO01054		O-RING D. 15.08 X 2.62 NBR 70SH	3,00		
0023		PVVR01083		OIL INDICATOR G 3/4 W70-151	1,00		
0024		CUVR09639		ROLLER BEARING BK 1516V	1,00		
0025		PVVR01089		OIL DIPSTICK W 70	1,00		
0026		VTDD04284		NUT M8X1,25X12X3,5 S2	3,00		
0027		VTRS09321		WASHER D. 8X13X1	3,00		
0028		PIVR09641		PISTON D.15 BJ	3,00		
0029		GUGO01055		O-RING D. 5.28 X 1.78 VIT 70SH	4,00		
0030		GUVR10257		ANTI-EXTR.RING WW161	3,00		
0031		VTRS09320		WASHER D. 9X23X0,5	3,00		
0032		PVVR09646		GUDGEON D. 8X24.5 BJ	3,00		
0033		MFVR09643		CRANKASE COVER BJ	1,00		
0034		VTVT01115		SCREW TCEI 6X18	4,00		
0035		GUGO27617		O-RING D. 88.57 X 2.62 NBR 70SH	1,00		
0036		BLVR43780		CONNECTING ROD WW S.51	3,00		
0037		PVVR09642		PISTON GUIDE BJ	3,00		
0038		MFVR03565		SPACER W 70	1,00		
0039		GUGO01040		O-RING D. 55.56 X 3.53 NBR 70SH	1,00		
0040		GUGO12643		OIL SEAL 30X 42X 7 NBR70	1,00		
0041		VTAE12644		CIRCLIP D. 30 UNI 7435	1,00		
0042		CUVR12645		BALL BEARING 6206	1,00		
0043		ALMO16600		ECC.SHAFT WW "B" C.7.2 D.18	1,00		
0045		VTDD09708		NUT M 8 UNI 5589	1,00		



Ref.	K	Part N.	Customer Part N.	Description	Qty	Validity:	
						From	To
0046		VTVT20196		SCREW EI-ST 8X20 UNI5923	1,00		
0047		GUGO01057		O-RING D. 20.35 X 1.78 NBR 70SH	1,00		
0048		PVVR18672		REGISTER COLT	1,00		
0049		PVVR11656		SPRING PLATE W1	1,00		
0050		MLML11655		SPRING D.15X35	1,00		
0051	S	PVVR18671		BUSHING COLT	1,00		
0053	S	PVVR18670		LIMIT SWITCH COLT	1,00		
0054	S	MLML20195		SPRING D. 6.1X19	1,00		
0055	S	GUGO03497		O-RING D. 6.75 X 1.78 VIT 80SH	3,00		
0056	S	SFVR12904		BALL D. 9/32 W1 INX	1,00		
0057	S	GUVR11651		ANTI-EXTR.RING D. 10.6X15X2	2,00		
0058	S	GUGO03501		O-RING D. 9.92 X 2.62 VIT 70SH	3,00		
0059	S	PVVR18669		CONTROL PISTON COLT	1,00		
0060	S	GUVR04309		ANTI-EXTR.RING HM	2,00		
0061	S	PVVR11653		VALVE GUIDE CONTROL SET W1	2,00		
0062	S	GUGO11652		O-RING D. 12.42 X 1.78 NBR 70SH	1,00		
0063	S	GUVR11650		ANTI-EXTR.RING CONTROL SET W1	1,00		
0064	S	PVVR18668		VALVE CLT	1,00		
0065	S	VTVT18667		SCREW M 5X0,8X7,5	1,00		
0066	S	PVVR12887		VALVE SEAT CONTROL SET W1	1,00		
0068		UGEI09723		NOZZLE D. 1,8 KR OT58	1,00		
0069		GUGO03507		O-RING D. 13.95 X 2.62 VIT 70SH	1,00		
0071		GUGO03496		O-RING D. 9.25 X 1.78 NBR 70SH	1,00		
0072		MLML04264		SPRING D. 4.3X11X7.3 KR	1,00		
0073		SFVR04274		BALL D. 7/32	1,00		
0075		RCDS20865		CONNECTOR O. D.14 - 3-6	1,00		
0076		GUGO01036		O-RING D. 10.82 X 1.78 NBR 70SH	1,00		
0077		PVVR09709		VALVE SEAT KR	1,00		



Ref. Part N.	Cust. Part N.	Description	Reference
KTRI18651	KIT P	83	0005
KTRI18654	KIT P	86	0020 0021 0022
KTRI18655	KIT P	102	0015 0051 0053 0054 0055 0056 0057 0058 0059 0060 0061 0062 0063 0064 0065 0066
KTRI21664	KIT P	96	0018 0019 0020 0021 0022
KTRI21665	KIT P	97	0018 0019 0021 0022
KTRI28508	KIT P	15-123	0017