



IPC

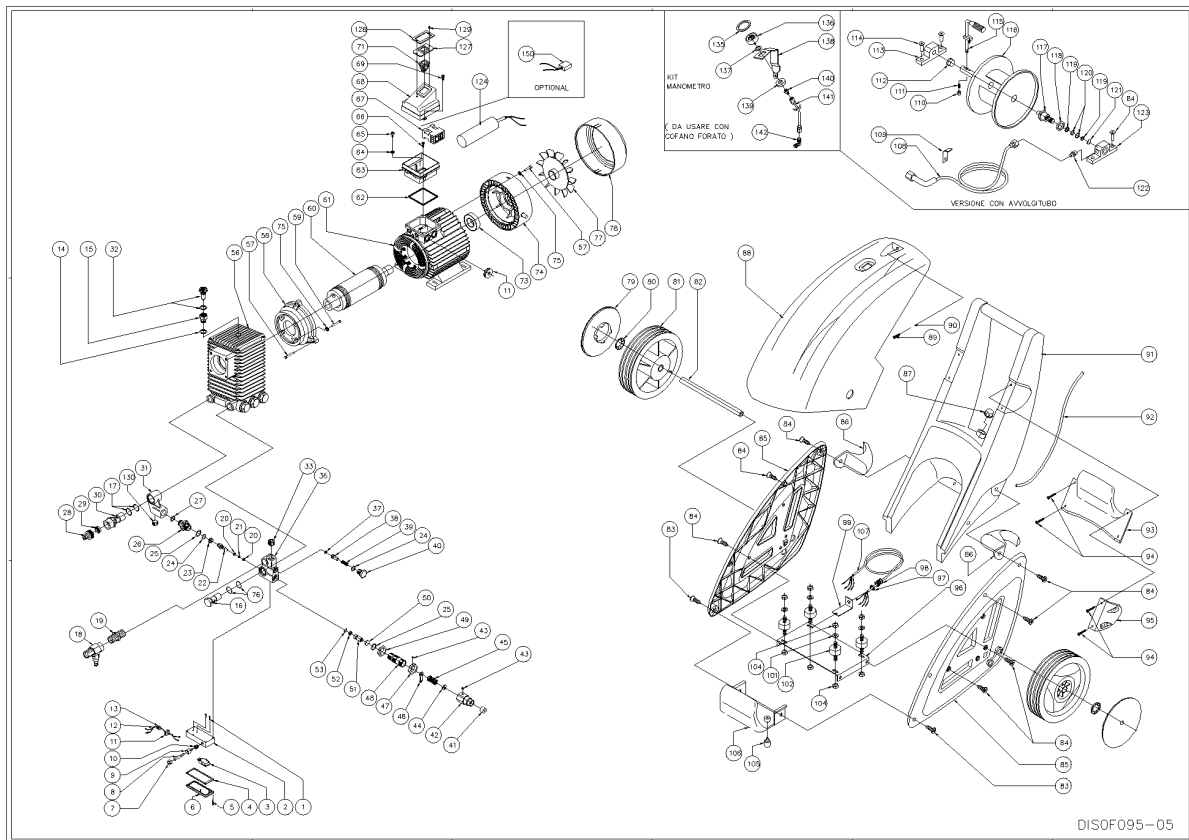
Spare parts list

Ref: IDAF82288

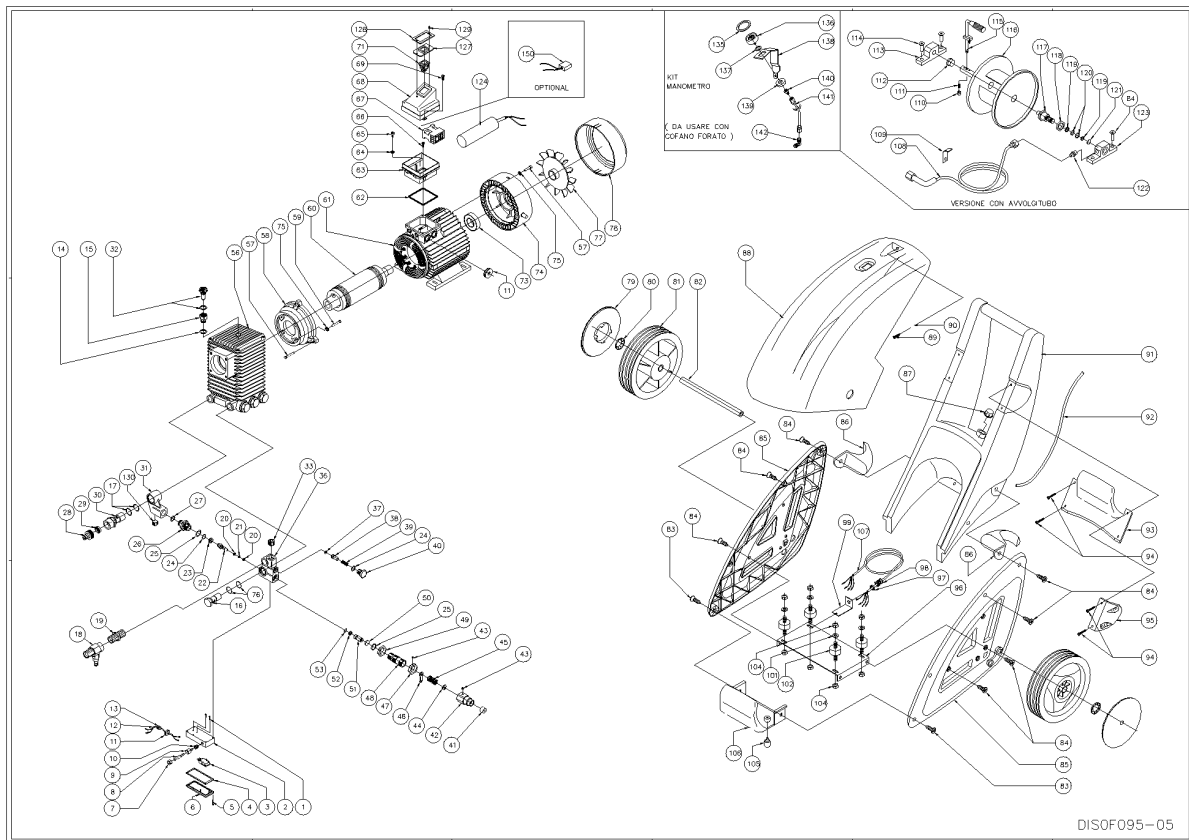
Cust.ref: .

Model: H.P. CLEANER FT 200-4P T 400/50 FOMA

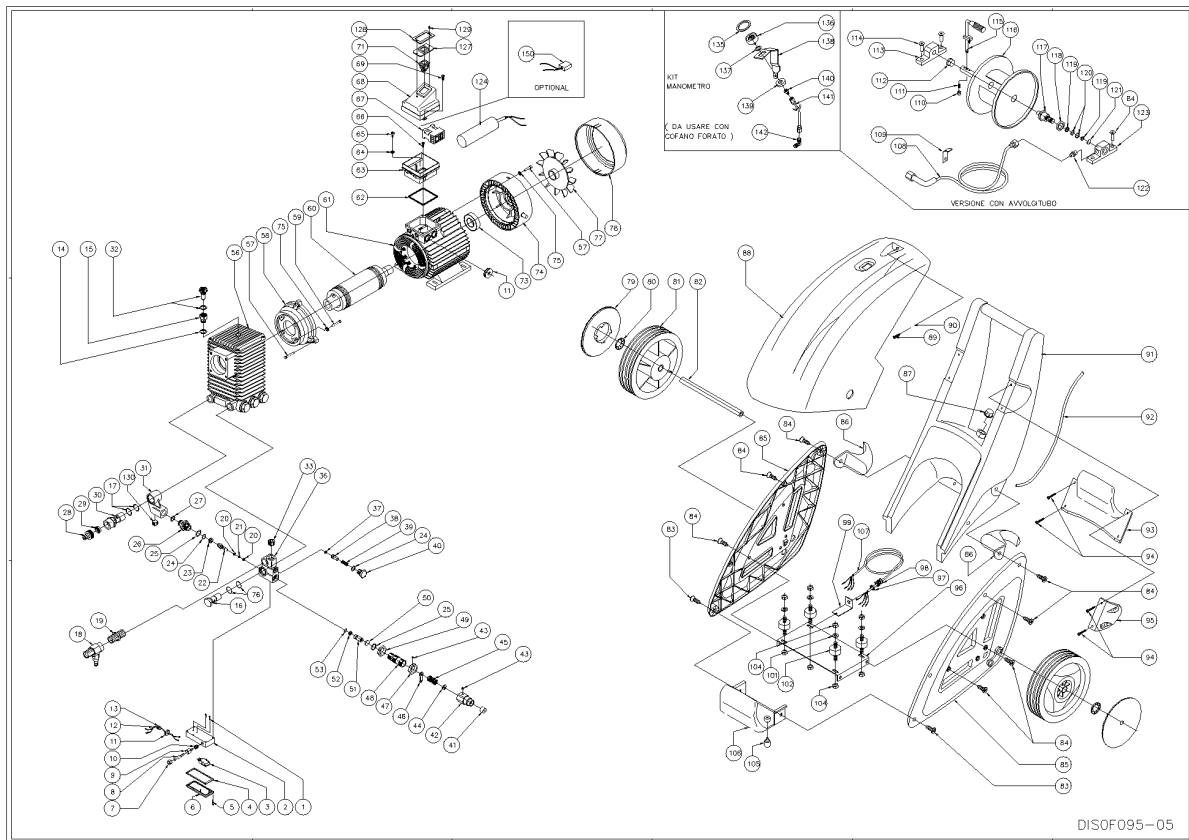
Cust.model: FT 235



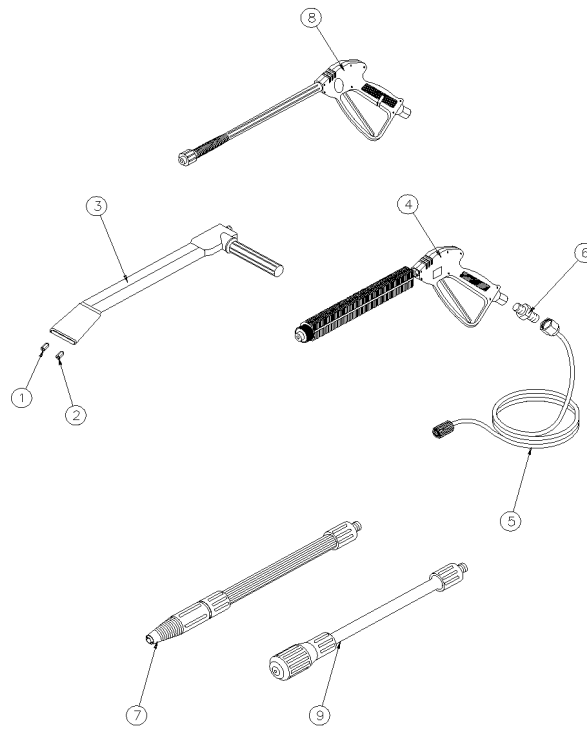
Ref. K	Part n.	Part n. 2	Description	Quantity	Validity		Price
					From	To	
0001	VTVT63123		SCREW M 3X8 TSPCR ZN DIN 7987	2,00	20/10/1998	--	--
0002	MPVR40209		COVER S.T-STOP S/2	1,00	20/10/1998	--	--
0003	MECI80639		MICROSWITCH 20A F.S/L	1,00	20/10/1998	--	--
0004	GUVR40208		GASKET T-ST. S/2	1,00	20/10/1998	--	--
0005	VTVT62945		SCREW ATF UNI 7981 2,2X10ZN S/P	5,00	20/10/1998	--	--
0006	MICT60090		BOX PORTA MICRO AQUA3300	1,00	20/10/1998	--	--
0007	VTDD01678		NUT M 5 UNI 5588	1,00	20/10/1998	--	--
0008	VTVT63056		SCREW M 5X20 EI-ST UNI 5925	1,00	20/10/1998	--	--
0009	MPVR60267		GUDGEON MICRO VALV.TK	1,00	20/10/1998	--	--
0010	MPVR41620		PROTECTOR S.T-STOP FP	1,00	20/10/1998	--	--
0011	MPVR60519		FAIR-LEAD 20/28 H1/S4	3,00	20/10/1998	--	--
0012	MPVR40207		FAIR-LEAD COND.D.5.5 55 SHORE	1,00	20/10/1998	--	--
0013	MECB64221		CABLE 2X1,5 L=770 TS	1,00	20/10/1998	--	--
0014	GUGO19290		O-RING D. 23.52 X 1.78 NBR 70SH	1,00	27/04/2001	--	--
0015	RCDS81933		EXTENSION SFIATO OLIO 3/4-3/8 S"47"	1,00	27/04/2001	--	--
0016	RCDS59233		SCREW G3/8 X VALV.	1,00	--	--	--
0017	GUGO01048		O-RING D. 15.88 X 2.62 NBR 70SH	2,00	--	--	--
0018	EIDT64145		INJECTOR G 3/8 D. 2.1	1,00	--	--	--
0019	RCDS62601		NIPPLE ATT. INIETT. VALV.	1,00	--	--	--
0020	GUVR63579		ANTI-EXTR.RING 7X4,1X1,5 OR2015	2,00	--	--	--
0021	GUGO63485		O-RING D. 4 X 2 NBR 70SH	1,00	01/09/1998	--	--
0022	PVVR59212		VALVE BY-PASS CHIUSURA BY PASS	1,00	--	--	--
0023	PVVR59203		VALVE SEAT REGOLAZ.PRESSIONE	1,00	--	--	--
0024	GUGO01036		O-RING D. 10.82 X 1.78 NBR 70SH	2,00	--	--	--
0025	GUGO63448		O-RING D. 13.95 X 2.62 NBR 90SH	2,00	--	--	--
0026	RCDS59637		NIPPLE INFERIORE VALVOLA W	1,00	--	--	--
0027	GUGO63445		O-RING D. 10.78 X 2.62 NBR 70SH	1,00	--	--	--
0028	RCVR62752		SOCKET 3433 BK.	1,00	15/04/1998	--	--
0029	LAFN58908		SUCTION FILTER INDY	1,00	--	--	--
0030	RCVR62843		INTAKE CONNECT. G3/4 VALVOLA REG.	1,00	--	--	--
0031	MFVR58351		CONNECTOR BY-PASS	1,00	16/10/2000	--	--
0032	PVVR82204		OIL DIPSTICK W 151 TAGLIATO	1,00	15/02/2001	--	--
0033	RCDS59684		CAP G 3/8 CON.	1,00	--	--	--
0036	PVVR59461		VALVE BODY C/FORO G3/8 SX	1,00	--	--	--
0037	GUGO63460		O-RING D. 4.30 X 2.4 NBR 90SH	1,00	16/03/1995	--	--
0038	VVSF59764		VALVE N.RIT.	1,00	--	--	--
0039	MLML59294		SPRING VALV. NON RIT.	1,00	15/09/1997	--	--
0040	RCDS59227		VALVE TAP NON RITORNO	1,00	--	--	--
0041	PVVR59564		GRUB SCREW REG.MOLLA VALVOLA OT	1,00	01/03/1998	--	--
0042	RCDS59626		SLEEVE REG.PRESS.CON FERMO	1,00	01/03/1998	--	--
0043	VTVT63069		SCREW M 3X 6 EI-ST UNI5923 BR.	2,00	01/03/1998	--	--
0044	VTRS63270		WASHER TRANCIATA X VALV.INOX	1,00	01/11/1997	--	--
0045	MLML59258		SPRING FAIP	1,00	16/10/2000	--	--
0046	LAFN58930		BLADE AZ.MICRO AQUA3300 ZN.T	1,00	01/11/1998	--	--



Ref. K	Part n.	Part n. 2	Description	Quantity	Validity		Price
					From	To	
0047	RCVR59740		LOCKNUT X VALVOLA CON FERMO	1,00	15/08/1997	--	--
0048	RCDS59643		NIPPLE SUP.C/F VALV.R PRES.	1,00		--	--
0049	RCVR59739		LOCKNUT X VALVOLA	1,00		--	--
0050	PVVR59107		SPRING PLATE X VALVOLA INOX	1,00	01/10/1997	--	--
0051	PVVR59175		SMALL PISTON AP.BY-PASS X VALV.	1,00		--	--
0052	GUVR63584		ANTI-EXTR.RING 11X8, 1X1,5-OR 2031	1,00		--	--
0053	GUGO06772		O-RING D. 7 X 2 NBR 70SH	1,00	01/10/1997	--	--
0056	PPAP81962		PUMP WS201 DX LT 15 SPIA FRONT	1,00	10/01/2001	--	--
0057	VTVT62933		SCREW TE M 8X 25 UNI 5739 ZN	4,00		--	--
0058	MFVR57921		FLANGE MOTOR MEC 112 LV.	1,00		--	--
0059	VTVT63042		SCREW TCEI M 8X30 F/RD.8,8	4,00		--	--
0060	MORT50581		EL.MOT. ROTOR CPL 103X36 H150	1,00		--	--
0061	MOST81762		EL.MOT. STATOR STAT 7,5 4P 230/400V 50HZ	1,00	30/01/2001	--	--
0062	GUVR63638		GASKET BASET.MOTORE SP.2	1,00	31/10/2001	--	--
0063	MPVR81806		BASE-SUPPORT SC.EL. FT200 M100 TST	1,00	31/10/2001	--	--
0064	VTRS63310		WASHER D. 4	1,00	31/10/2001	--	--
0065	VTVT14839		SCREW M 4X 6 TCB TC DIN 7985	1,00	31/10/2001	--	--
0066	VTVT09682		SCREW TPS-TC 5X12 UNI7688	4,00	31/10/2001	--	--
0067	METT61682		CONTACTOR CGE CL 03A 300T6 220/230V	1,00		--	--
0068	MPVR80674		COVER SC.EL. FT200 S2	1,00	31/10/2001	--	--
0069	VTVT62983		SCREW ATF TC CROCE M3,9X19 BRU	2,00	31/10/2001	--	--
0071	MECI81105		SWITCH SLX 16A 250V 0-1 8212 BI	1,00	31/10/2001	--	--
0073	CUVR53304		BALL BEARING 6306 2RS 30X72X19	1,00		--	--
0074	MFVR58033		SHIELD MEC 112	1,00		--	--
0075	VTVT62986		SCREW AF TC INT.CR 3,5X 9,5 ZN	4,00		--	--
0076	VTVT63064		SCREW STEI G 1/4 X10 ZC.	1,00	16/10/2000	--	--
0077	VEVR61014		MOTOR FAN MEC 112	1,00		--	--
0078	LAFN07893		PROTECTION RDK HP 5,5	1,00		--	--
0079	MPVR60917		HUB CAP SPI 2 D.250 BK	2,00	01/01/1998	--	--
0080	VTRS28558		WASHER D.20	2,00	29/06/2001	--	--
0081	RTRT60891		WHEEL D.250X50 D.20 SPI 2	2,00		--	--
0082	LAFN62390		WHEELS AXLE FT200 ZC.	1,00		--	--
0084	VTVT63134		SCREW M 8X25 TSPEI ZC UNI 5933	12,00	15/01/1998	--	--
0085	MFVR58365		FRAME CARRELLO FT200	2,00	15/01/1998	--	--
0086	LAFN58986		PLATE AVVOLGICAVO FT200	2,00	15/04/1998	--	--
0087	MPVR60848		TANK CAP 1-1/4F	1,00		--	--
0088	MPVR82501		RED COVER FT200 INZ.	1,00		--	--
0089	VTVT17639		SCREW TCEI M 5X10 UNI 5931	1,00	15/02/1998	--	--
0090	VTRS15958		WASHER UNI 6592 5X15X1,5 ZB	1,00		--	--
0091	MPVR58544		TANK FT 200	1,00		--	--
0092	TBBP62474		L.P. HOSE D. 7-10 CR.	0,55	15/04/1998	--	--
0093	MPVR60611		SUPPORT AVV. FT200	1,00		--	--
0094	VTVT63132		SCREW TSPEI M 8X16 BRUNITA	4,00	15/02/1998	--	--
0095	MPVR60616		SUPPORT LANCIA FT200	1,00		--	--

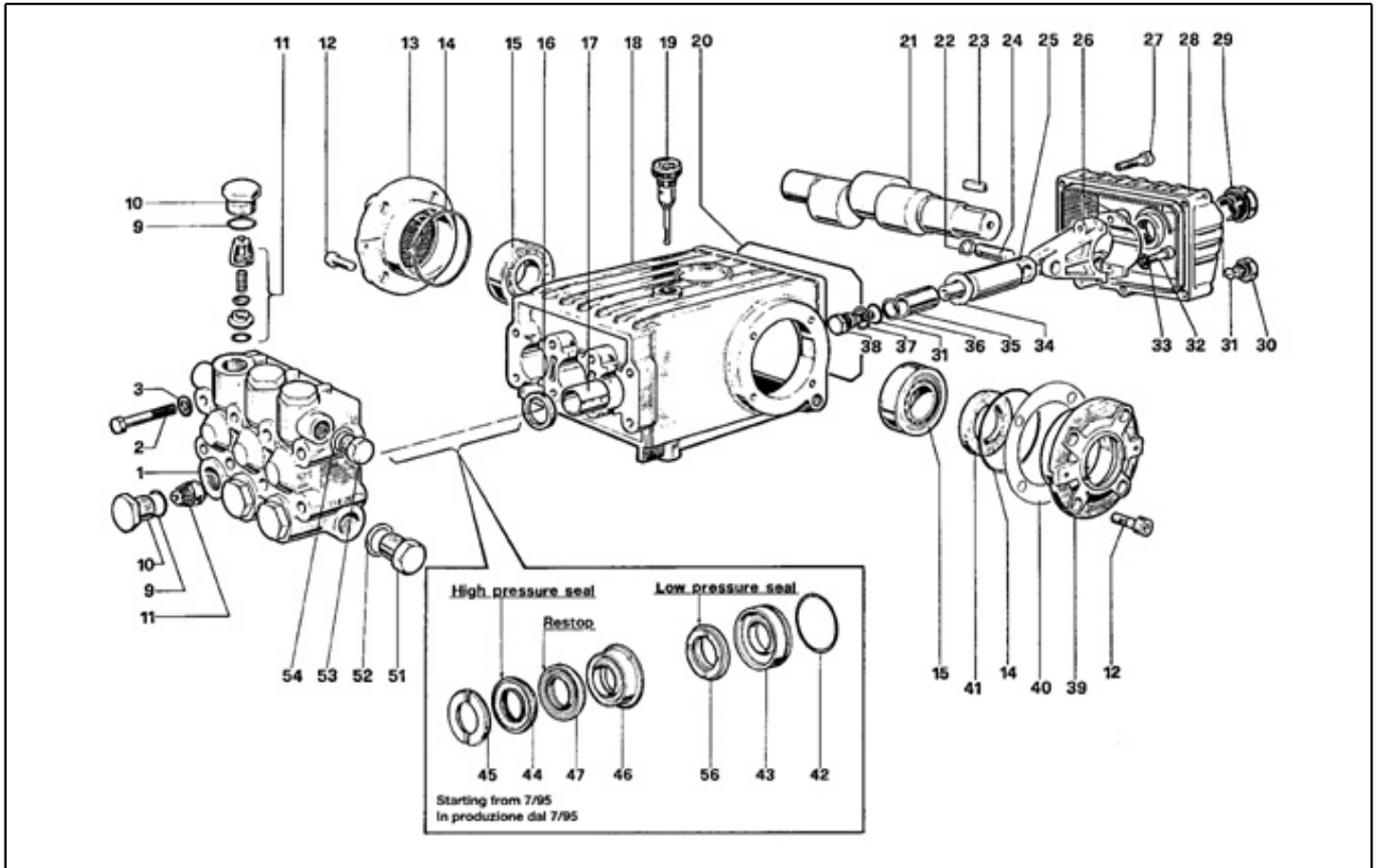


Ref. K	Part n.	Part n. 2	Description	Quantity	Validity		Price
					From	To	
0096	LAFN59082		CROSS PIECE FT200	1,00			--
0097	MEVR01920		LOCKNUT D. 16	1,00			--
0098	MEVR61887		CABLE CLAMP PG16 SPIRALE	1,00			--
0099	LAFN58988		PLATE SUPP.SKINTOP PG16	1,00			--
0100	VTVT17347		SCREW TE M8X50 BRUN. UNI 5739	4,00	15/01/1998		--
0101	VTRS63243		WASHER D. 8 X24	12,00			--
0102	MECF60282		RUBBER D. 30 L=20.5 70SH A.VB.	4,00			--
0103	LAFN58901		SPACER G.D.12XD.9X15	4,00			--
0104	VTDD63177		NUT M 8 FLANGIATO	7,00	10/01/2001		--
0105	MPVR60726		VIBRATION DAMP. TCC48X25- 1M8X16 60SH GMM	1,00	25/07/2001		--
0106	LAFN81520		PLATE PROT. MICRO X FT MEC 112	1,00			--
0107	MECB64254		CABLE NEOP. 4X2.5 MT 5,5	1,00			--
0124	GUGO01942		O-RING D. 20.63 X 2.62 NBR 70SH	2,00			--
0125	LAFN59131		SPACER MEC 100	1,00	01/03/2001		--
0127	MPVR60498		FRAME WAP	1,00	31/10/2001		--
0128	MPVR60539		PLATE WAP	1,00	31/10/2001		--
0129	VTVT38041		SCREW TCB-TC 4X14 UNI7687	2,00	31/10/2001		--
0130	LAFN82246		BRACKET TELAIO FT MEC 112 S2	1,00	15/05/2001		--
0131	VTVT63041		SCREW TCEI M 8X25 F/RD.	4,00			--
0132	VTDD13794		NUT M 6 ZIN UNI 5589	2,00			--
0133	VTVT63040		SCREW TCEI M 6X20 F.RD.	2,00			--
0134	VTRS63199		WASHER D. 6.4X11X1.6 ZN HOBBY	2,00			--

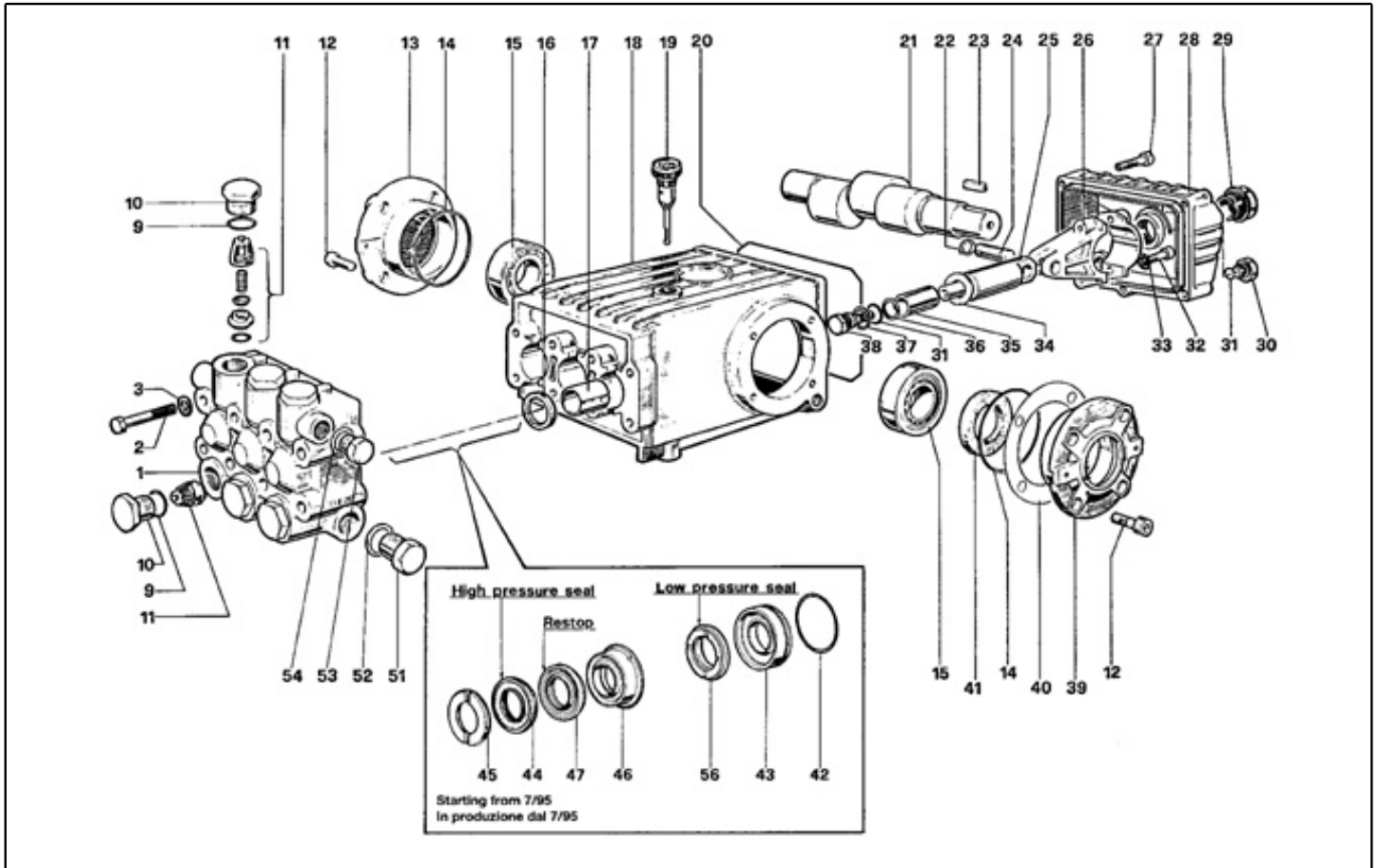


VARI0027-01

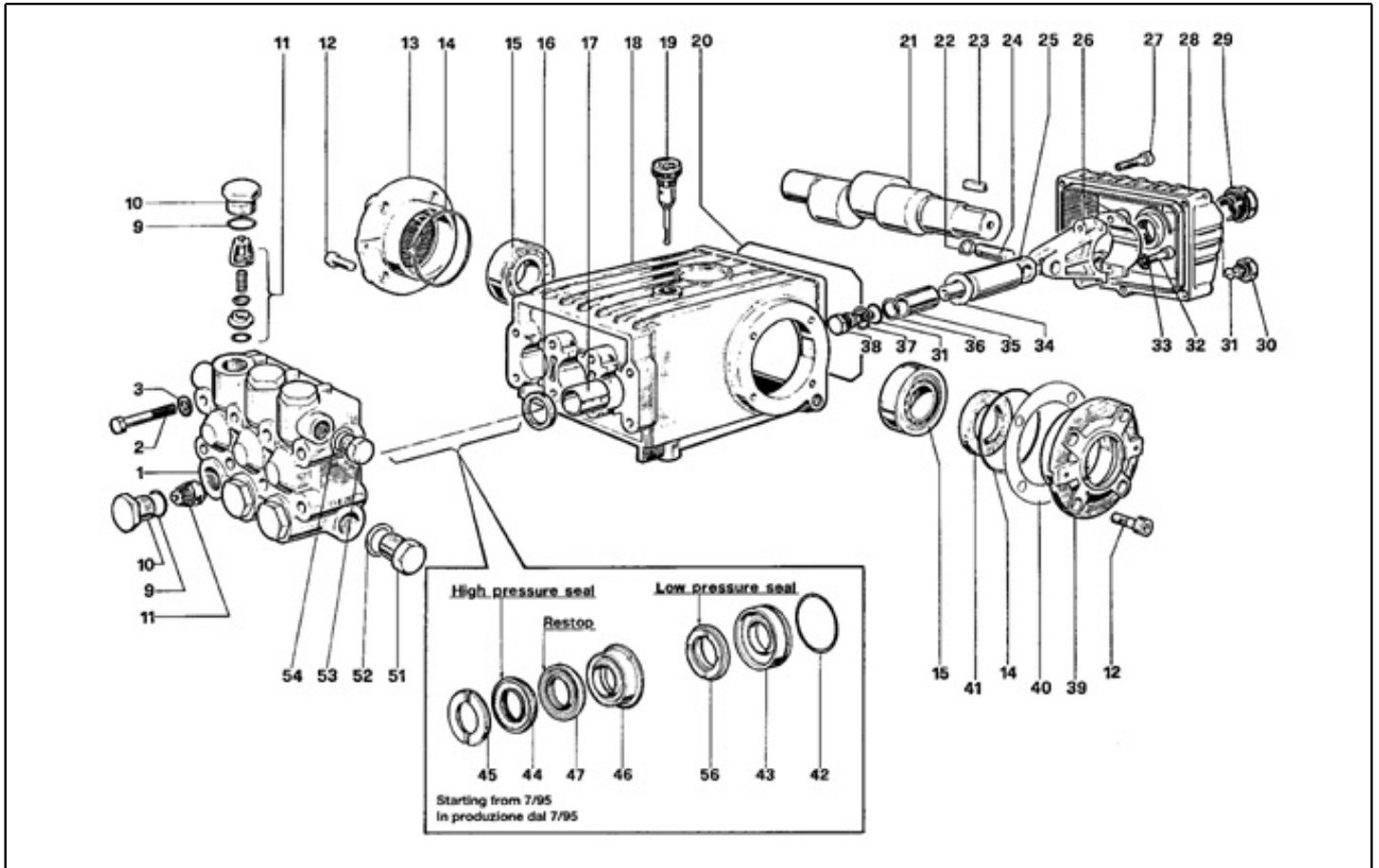
Ref. K	Part n.	Part n. 2	Description	Quantity	Validity		Price
					From	To	
0001	UGLN02505		LANCE NOZZLE SPS 1/4 4030 OTTONE	1,00			--
0002	UGLN02291		NOZZLE 1/4 1505	1,00			--
0003	LCLC82545		LANCE DP 1/4 -M22	1,00			--
0004	IPPR52938		GRIP AL5 +PR. M22	1,00			--
0005	TBAP53046		H.P. HOSE 5/16 250 BAR 10MT 3/8 F-F	1,00			--
0006	RCDS62596		NIPPLE 3/8 - 3/8 CN./CL.SV	1,00			--



Ref. K	Part n.	Part n. 2	Description	Quantity	Validity		Price
					From	To	
0001	MFVR01098		HEAD W 201	1,00			--
0002	VTVT01111		SCREW TE M 8X70 UNI 5737 A.10.9	8,00			--
0003	VTRS01072		WASHER D. 8 TC	8,00			--
0009	S GUGO01033		O-RING D. 20.24 X 2.62 NBR 90SH	6,00			--
0010	S RCDS03585		CAP M24X2X16 W201	6,00			--
0011	S VVAM01104		VALVE UNIT W 70-151	6,00			--
0012	VTVT01118		SCREW TCEI M 8X16 ZC. UNI 5931	8,00			--
0013	MFVR03576		CRANKASE COVER W151	1,00			--
0014	GUGO01041		O-RING D. 67.95 X 2.62 NBR 70SH	2,00			--
0015	CUVR09205		ROLLER BEARING 32206 A	2,00			--
0016	S GUGO01000		OIL SEAL 22X 32X 5 NBR70	3,00			--
0017	PVVR01011		BUSHING W 151	3,00			--
0018	MFVR01013		PUMP CRANKCASE W 151	1,00			--
0019	PVVR01092		OIL DIPSTICK W 151	1,00			--
0020	GUGO34590		O-RING D. 133.02 X 2.62 NBR 70SH	1,00			--
0021	ALMO03577		SHAFT WS151	1,00			--
0022	VTAE14016		CIRCLIP D. 12 UNI 7435	6,00			--
0023	VTVR01031		KEY 8X7X25 UNI6604	1,00			--
0024	PVVR01085		GUDGEON D.13X35 W151	3,00			--
0025	PVVR15130		PISTON GUIDE WS201	3,00			--
0026	BLVR01009		CONNECTING ROD W 151	3,00			--
0027	VTVT01116		SCREW TCEI 6X30 UNI5931	5,00			--
0028	MFVR03582		CRANKASE COVER W 151 POS	1,00			--
0029	PVVR01083		OIL INDICATOR G 3/4 W70-151	1,00			--
0030	RCDS01088		CAP 1/4X 9 M WW90	1,00			--
0031	S GUGO01036		O-RING D. 10.82 X 1.78 NBR 70SH	4,00			--
0032	VTVT01120		SCREW TCEI 8X35 UNI5931	6,00			--
0033	VTRS14242		WASHER D. 8.4X13X0.8 UNI7064 SCH	6,00			--
0034	S VTRS01753		WASHER D.14X28 X0,5	3,00			--
0035	PIVR01066		PISTON D.20X50 W 151	3,00			--
0036	S GUVR00994		ANTI-EXTR.RING W151	3,00			--
0037	S VTRS01076		WASHER D.14X18,5X0,5	3,00			--
0038	S PVVR01107		PISTON BOLT IP W151	3,00			--
0039	MFVR03583		CRANKASE COVER W151	1,00			--
0040	PVVR01016		THICKNESS 0,1 W 151	2,00			--
0041	S GUGO01003		OIL SEAL 30X 55X 7 NBR70	1,00			--
0042	S GUGO01042		O-RING D. 34.6 X 1.78 NBR 70SH	3,00			--
0043	S PVVR00977		PACKING RETAIN. W151	3,00			--
0044	S GUVR00981		PACKING W151	3,00			--
0045	S PVVR00985		HEAD RING W151	3,00			--
0046	S PVVR34589		INTERMED. RING W 151 D. 20	3,00			--
0047	S GUVR34587		PACKING D. 20 RESTOP	3,00			--
0051	RCDS01091		CAP 1/2X10 M	1,00			--
0052	VTRS01075		WASHER D.21,5X27 ALL	1,00			--



Ref. K	Part n.	Part n. 2	Description	Quantity	Validity		Price
					From	To	
0053	RCDS01090		CAP 3/8X13 M WW90	1,00			--
0054	VTRS01074		WASHER D.17,05X22,3 X1,5	1,00			--
0056	S	GUVR34585	PACKING W 151 L.P.	3,00			--



Ref. Part n.	Part n. 2	Description	Reference	Price
KTRI14900		KIT P 15- 3	0041	--
KTRI14901		KIT P 10	0042 0043	--
KTRI17793		KIT P 6	0031 0034 0036 0037 0038	--
KTRI17796		KIT P 5	0009 0010	--
KTRI17859		KIT P 1	0011	--
KTRI17860		KIT P 15- 2	0016	--
KTRI18574		KIT P 7	0045	--
KTRI18579		KIT P 28	0042 0043 0044 0045 0046 0047 0056	--