

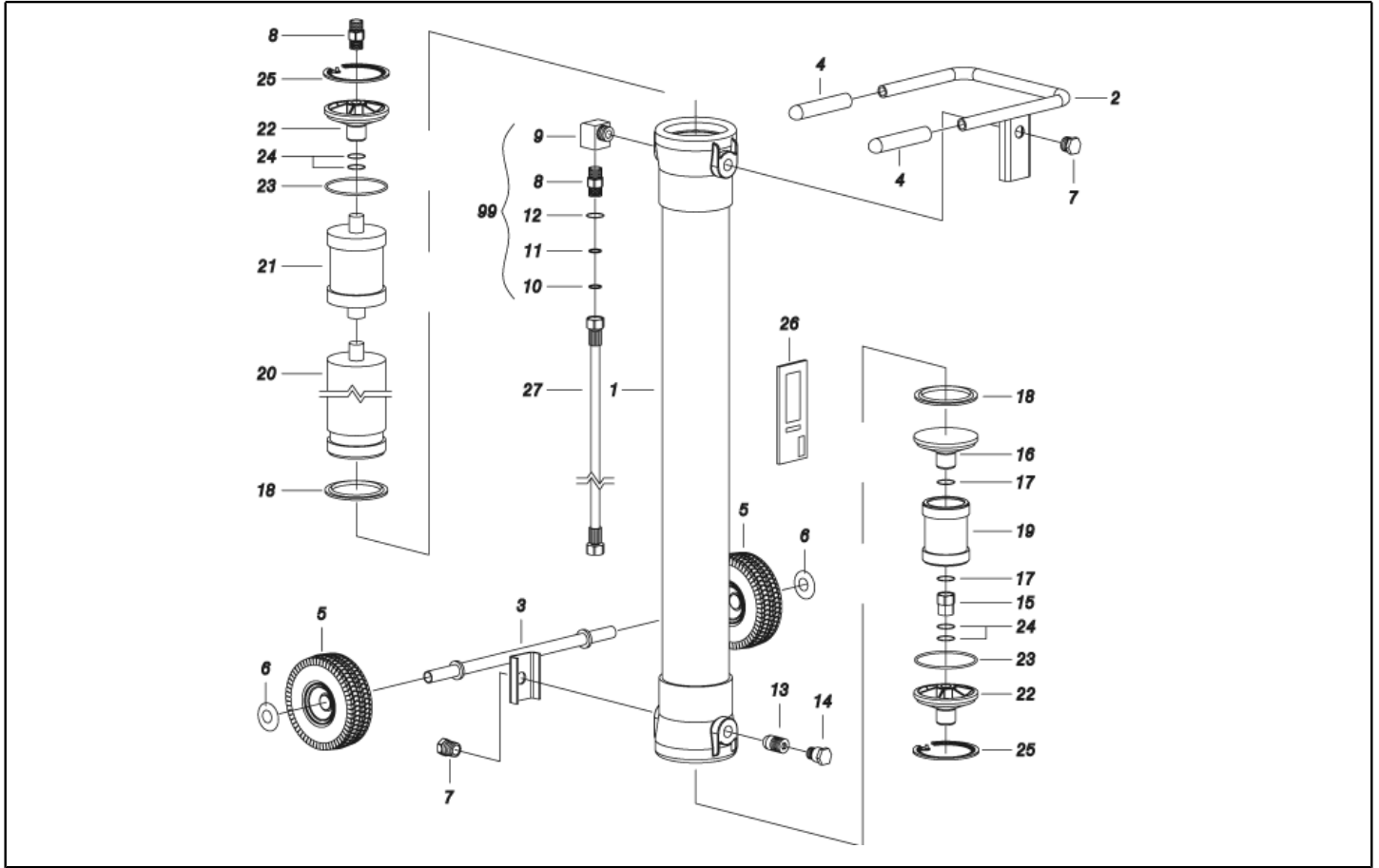


**IPC**

**Spare parts list**

Ref: APTA40008

Model: WATER SOFTNER GREENTUBE GT IPC



Ref. K	Part n.	Customer part n.	Description	Quantity	Validity		Price
					From	To	
0001	MPVR40598		CONTAINER GR.TUBE RO +LB. HP.	1,00			--
0002	LAFN40634		TUBULAR HANDLE GR.TUBE BK.	1,00			--
0003	LAFN40635		WHEELS AXLE GR.TUBE	1,00			--
0004	MPVR40599		KNOB GR.TUBE	2,00			--
0005	RTRT40034		WHEEL D. 6"X 1.1/2" GT	2,00			--
0006	VTVR40049		HUB CAP D. 1/2" PUSH	2,00			--
0007	RCVR40134		CONNECTOR 1/2M NPT OT GR.TUBE	2,00			--
0008	RCVR40088		CONNECTOR G 1/2M -1/2F 90° NPT UPS	2,00			--
0009	RCVR40059		CONNECTOR G 1/2M -1/2F 90° NPT UPS	1,00			--
0011	RCVR40060		ADJUSTER 2 L/1" IX. UPS	1,00			--
0013	RCVR40057		CONNECTOR G 1/2M -1/2F 45° NPT UPS	1,00			--
0014	RCVR40088		CONNECTOR G 1/2M -1/2F 90° NPT UPS	1,00			--
0015	MPVR40600		PLUG PRE-FILT. GR.TUBE	1,00			--
0016	MPVR40601		ADAPTER PRE-FILT. GR.TUBE	1,00			--
0017	GUGO01035	00001035	O-RING D. 13.95 X 2.62 NBR 70SH	2,00			--
0018	GUVR40058		MAMBRANE TENUTA LABBRO RO UPS	2,00			--
0019	KTRI40147		KIT P 8- 29 SD./CA+DI FILT.X1	1,00			--
0020	FTAC40002		MAMBRANE OSM. RO UPS	1,00			--
0021	KTRI40147		KIT P 8- 29 SD./CA+DI FILT.X1	1,00			--
0022	PVVR40263		CAP HOUSING RO UPS	1,00			--
0022	PVVR40264		CAP HOUSING RO UPS	1,00			--
0023	GUGO40035		O-RING HOUSING END CAP RO UPS	2,00			--
0024	GUGO40054		O-RING PRE-FILT. 4 GR.TUBE	4,00			--
0025	VTAE40003		CIRCLIP 4" UPS	2,00			--
0026	AZMC40006		ACCESSORY TDS-3 METER UPS	1,00			--
0027	TBBP40079		L.P. HOSE L=1500 3/4NH.M -3/4NH.F	1,00			--
0099	VVAZ40014		VALVE FLOW REG. UPS-B	1,00			--
9999	TBFX40008		FLEXIBLE HOSE 15MT (50FT) YL. GTB	1,00			--