



IPC

Spare parts list

Ref: PMVR06389

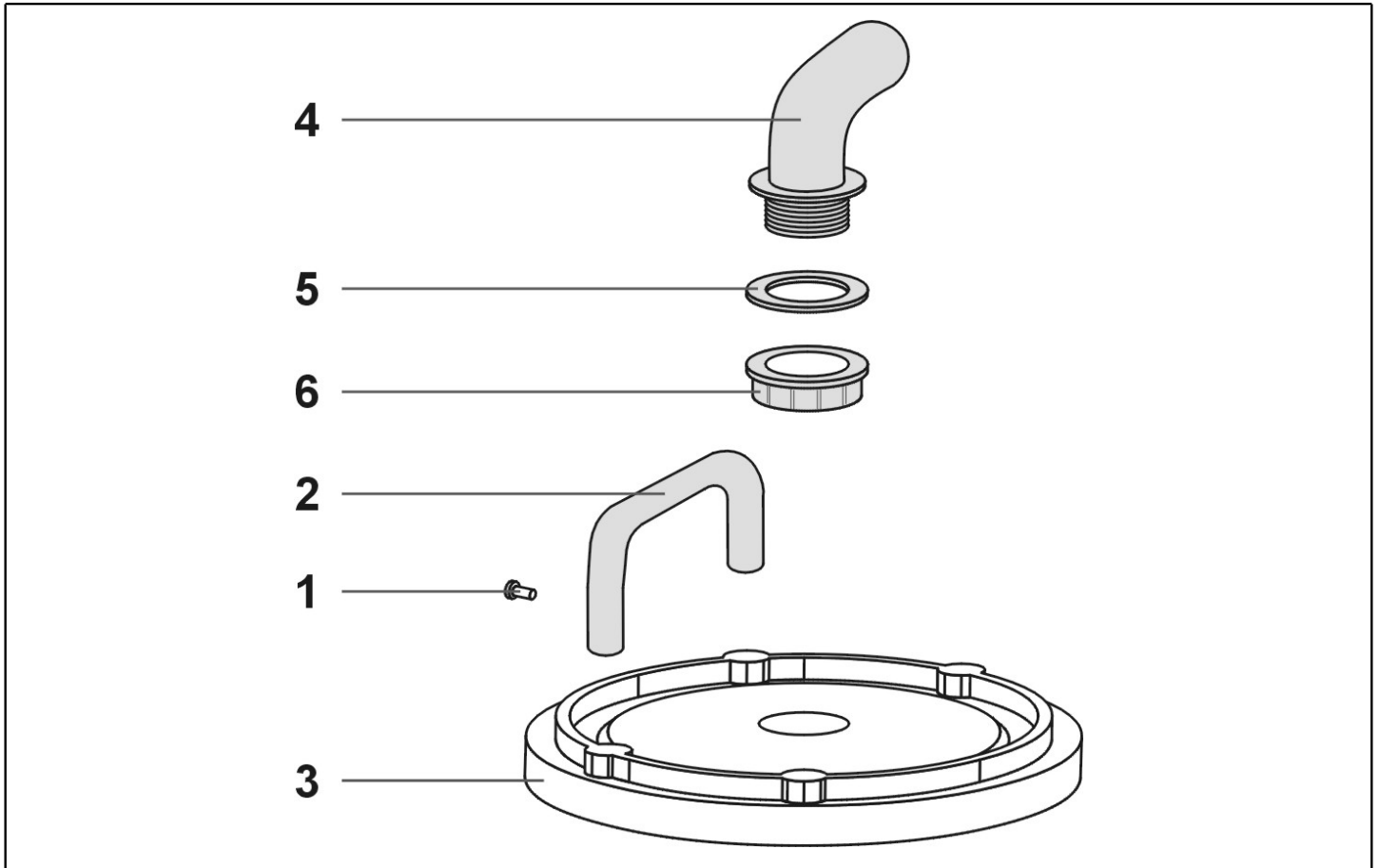
Model: TANK PRESEPARATORE 400 MAXIBAG



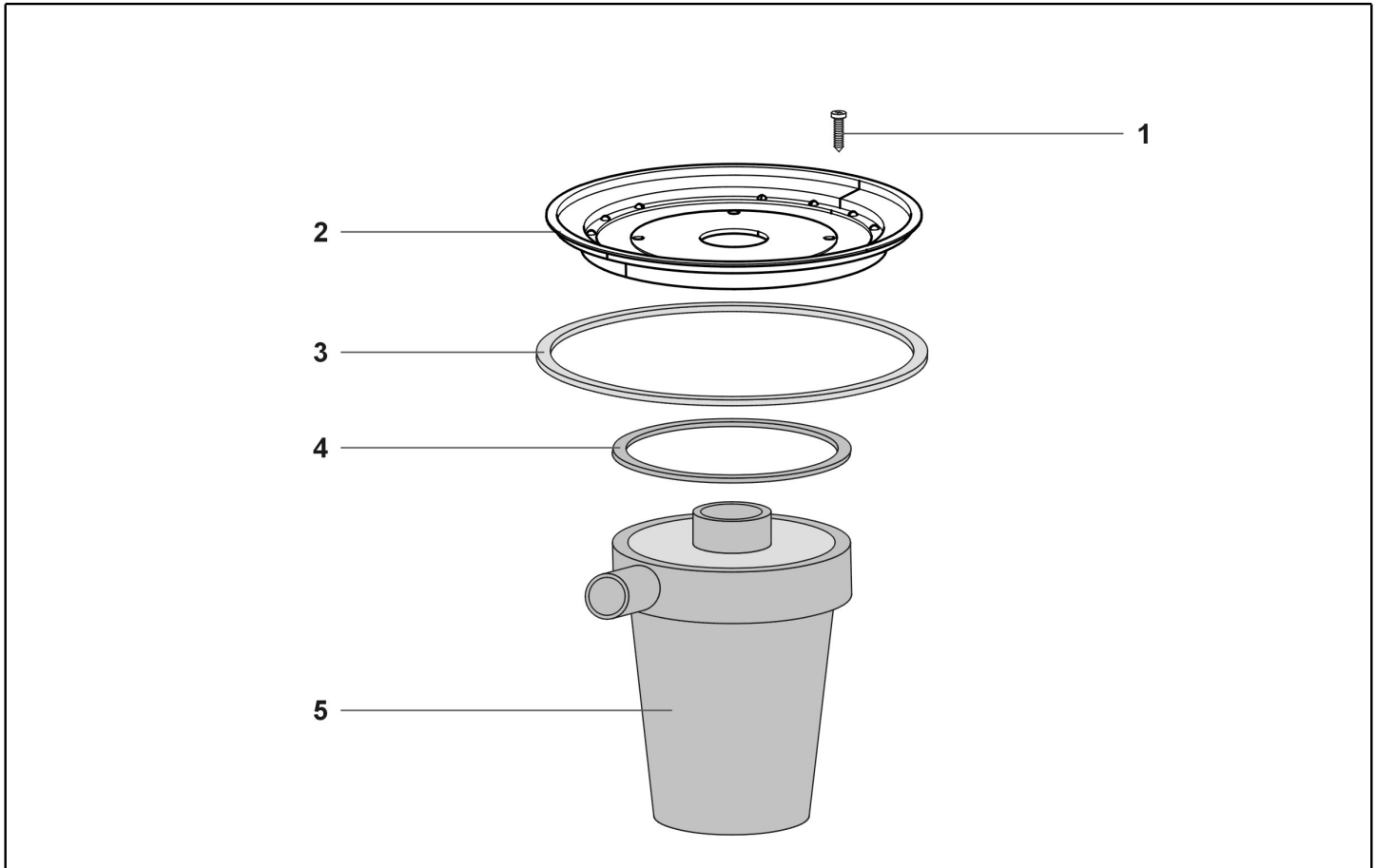
IPC Integrated Professional Cleaning

IPC Soteco

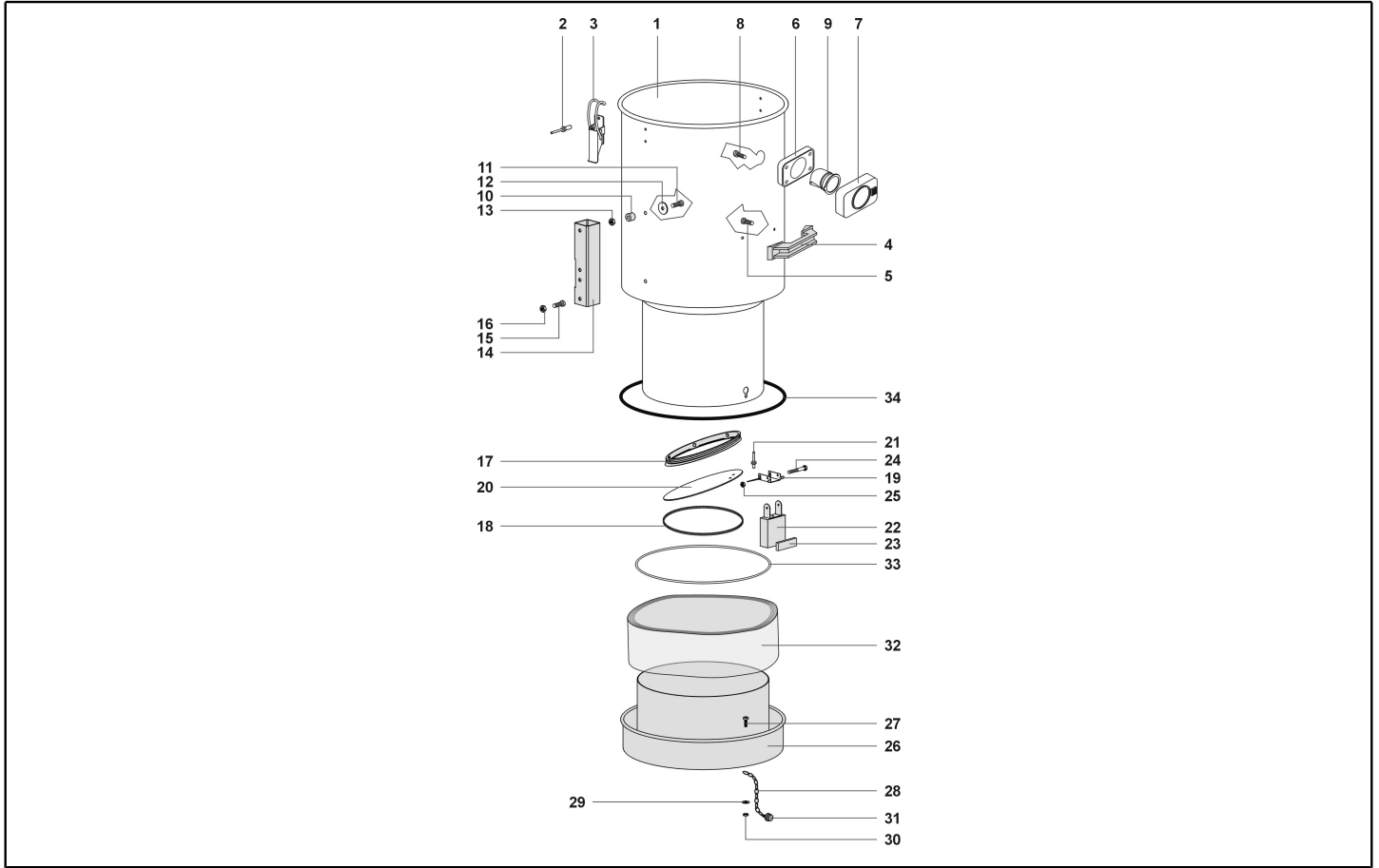
Ref. K	Part n.	Part n. 2	Description	Quantity	Validity		Price
					From	To	
0001	MPVR10798		COVER SEPARATORE S/CONVOGL.	1,00	20/06/2018		--
0002	PMVR06347		CYCLONE SEPARATORE 400 MBAG	1,00			--
0003	PMFU02773		TANK MAXIBAG 400ECO CYC A430 N	1,00	09/07/2018		--
0004	CARR01486		MAXIBAG TROLLEY 400 ECO COMPLETE	1,00			--
0005	TBFX00512			1,00	20/06/2018		--



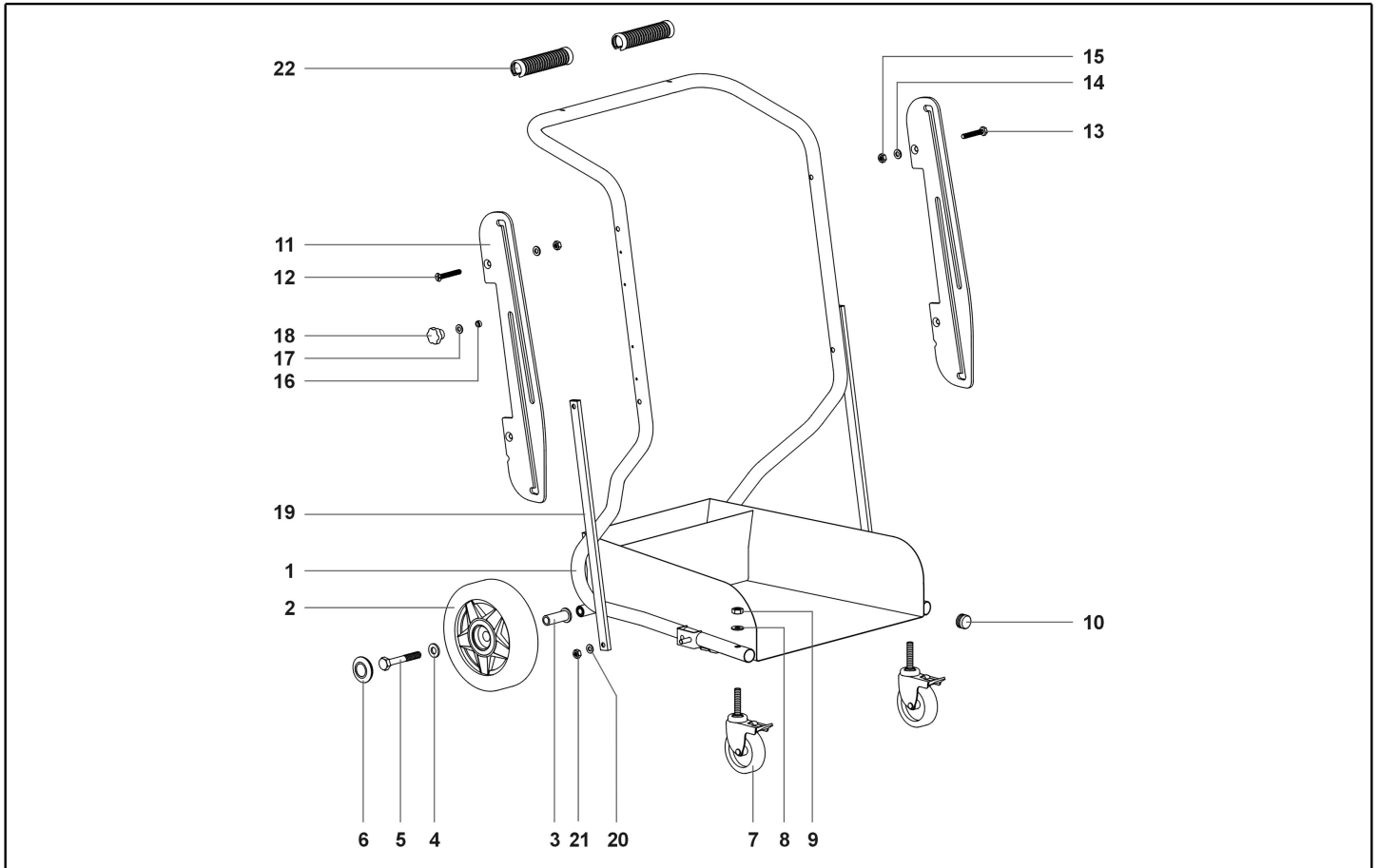
Ref. K	Part n.	Part n. 2	Description	Quantity	Validity		Price
					From	To	
0001	VTVR00396		RIVET 4,8X17 BLACK	4,00			--
0002	LAFN72117		CROME HANDLE D.16	2,00			--
0003	MPVR76598		TREEPHASE COVER 3 HP	1,00			--
0004	RCVR72088		ELBOW 2"	1,00			--
0005	GUVR72089		GASKET 2"	1,00			--
0006	MPVR71996		RING 2"	1,00			--



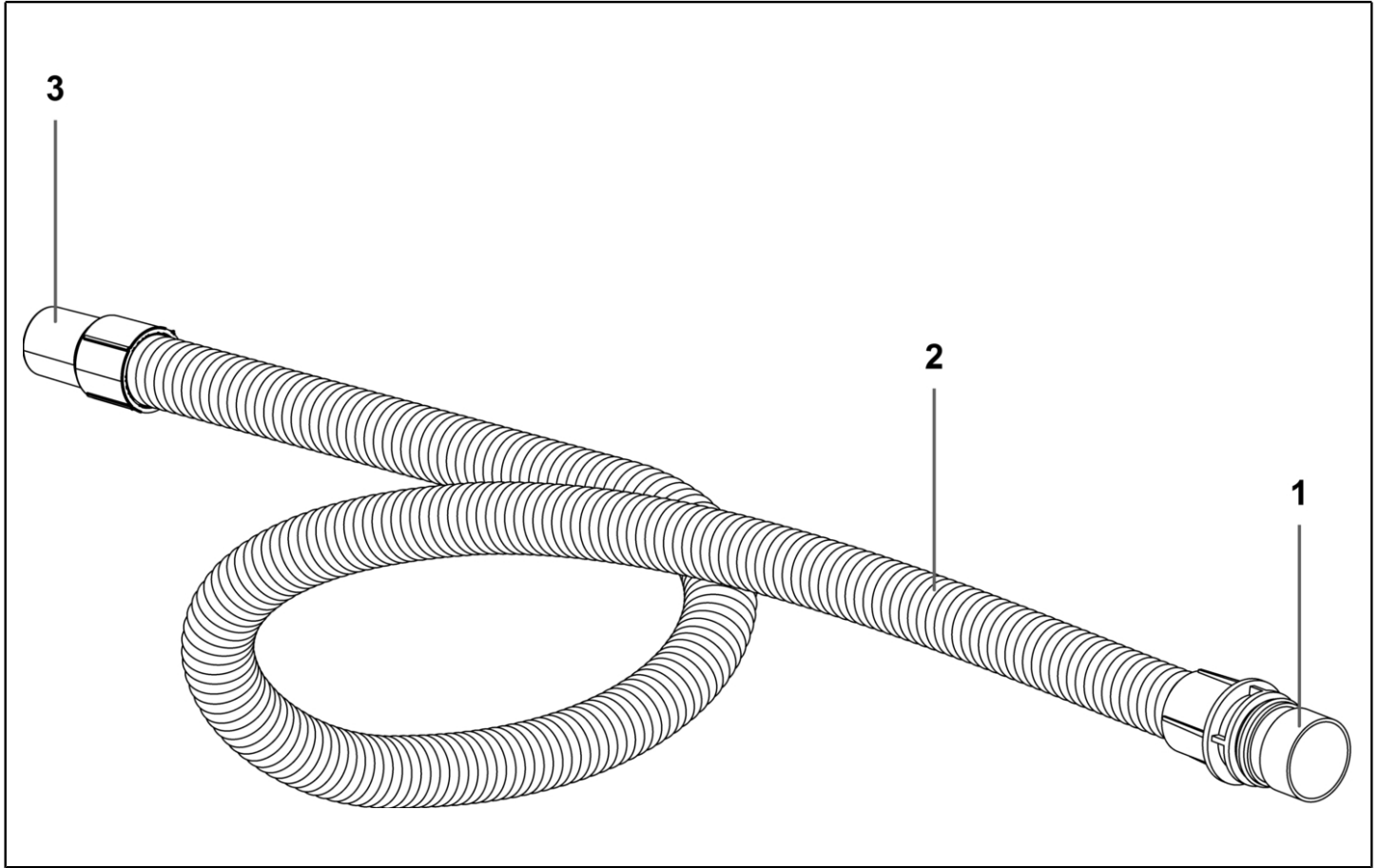
Ref. K	Part n.	Part n. 2	Description	Quantity	Validity		Price
					From	To	
0001	VTVT71960		SCREW SCREW PAT TMT PHL 5X14 ZN	4,00			--
0002	MPVR10799		SUPPORT CICLONE 400 S/GUIDA FUSTO	1,00			--
0003	GUVR37740		GASKET MIR. D.600 L=1200	1,00			--
0004	GUVR00373		GASKET CICLONE	1,00			--
0005	MPVR10474		SLIDING BLOCK CICLONE W/CONE	1,00			--



Ref. K	Part n.	Part n. 2	Description	Quantity	Validity		Price
					From	To	
0001	PMFU02614		TANK C/CONO MBAG 400 BOC.60 AL	1,00			--
0002	VTVR71991		RIVET 5X11	4,00			--
0003	CHVR40000		UNIVERSAL METAL HOOK	2,00			--
0004	MPVR28737		BLACK HANDLE	1,00			--
0005	VTVT71960		SCREW SCREW PAT TMT PHL 5X14 ZN	2,00			--
0006	MPVR08670		GASKET R 205 CONDUCTIVE	1,00			--
0007	MPVR11445		PIPE UNION 99/60 NE P/VEI A/G5 COND	1,00			--
0008	VTVT72055		SCREW PFU TMT PHL 5X25 ZN BLACK	4,00			--
0009	MPVR09191		BAFFLE 99/60 CONDUCTIVE	1,00			--
0010	MPVR07327		SPACER D18 D8,2 L15	4,00			--
0011	VTVT01281		ALLEN SCREW TBEI M8X25ZB UNI7380	4,00			--
0012	VTVR72041		WASHER 8X32 UNI6593	4,00			--
0013	VTDD71968		NUT M 8 UNI 5588	4,00			--
0014	LAFN09462		TANK BRACKET MAXIBAG	2,00			--
0015	VTVT01028		SCREW TE M 8X25 UNI 5739	4,00			--
0016	VTDD71968		NUT M 8 UNI 5588	4,00			--
0017	MPVR07325		BLACK GASKET CONE MAXIBAG	1,00			--
0018	FSVR00152		CLAMP 370X3,6	2,00			--
0019	LAFN09459		SUPPORT VALVE MAXIBAG	1,00			--
0020	LAFN09460		PLATE VALVE MAXIBAG	1,00			--
0021	VTVR71991		RIVET 5X11	2,00			--
0022	LAFN09461		COUNTERWEIGHT MAXIBAG VALVE	1,00			--
0023	FTDP28679		FILTER MTP/30 30X10X900	0,07			--
0024	VTVT01280		SCREW M4X50	2,00			--
0025	VTDD00256		SELF-LOCKING NUT M4 LOW	2,00			--
0026	LAFN09456		SUPPORT LONGOPAC MAXIBAG	1,00			--
0027	VTVT01095		SCREW TC CROSS M 4X12 UNI 7687	1,00			--
0028	PVVR00131		GENOVESE CHAIN GALV.N°14	0,18			--
0029	VTRS00397		WASHER M 5-5,3 D.E 11,5	1,00			--
0030	VTDD00256		SELF-LOCKING NUT M4 LOW	1,00			--
0031	LAFN09545		PIN OF STILL SUPPORT MAXIBAG	1,00			--
0032	MISC00025		BAG SPA. LONGPAC W/CLAMP	1,00			--
0033	CNPR00416		ELASTIC FOR MAXIBAG SUPPORT	1,00			--
0034	PMVR04930		WIRE COVER DRUM MAXIBAG 400	1,00			--



Ref. K	Part n.	Part n. 2	Description	Quantity	Validity		Price
					From	To	
0001	LAFN09903		STRUCTURE MAXIBAG	1,00			--
0002	RTRT85069		REAR WHEEL D.200	2,00			--
0003	MPVR02244		BUSH FOR REAR WHEEL	2,00			--
0004	VTRS00394		WASHER M 12 UNI 6592	2,00			--
0005	VTVT01273		SCREW TE M12X85 ZB UNI 5739	2,00			--
0006	MPVR85070		WHEEL CAP D.200/250 BLACK	2,00			--
0007	RTRT00481		TURNING WHEEL D.80 GRI.M10X47 W/BRAKE	2,00			--
0008	VTRS71964		WASHER M 10	2,00			--
0009	VTDD00246		SELF-LOCJ.NUT M10 SMALL UNI7474	2,00			--
0010	MPVR07329		PLASTIC TOP X TUBE D.25	2,00			--
0011	LAFN09464		SCROLLING PLATE MAXIBAG 400/600	2,00			--
0012	VTVT01276		SCREW TSPEI M8X50 ZB UNI5933	2,00			--
0013	VTVT01226		SCREW TE M 8X50 Z.B UNI 5737	2,00			--
0014	VTRS00396		WASHER M 8 UNI 6592	4,00			--
0015	VTDD71968		NUT M 8 UNI 5588	4,00			--
0016	RCDS00102		BUSHING SCROLLING MAXIBAG	4,00			--
0017	VTVR71963		WASHER 8X24	8,00			--
0018	VTVR72067		HAND WHEEL M 8 VB/30	4,00			--
0019	LAFN09465		STRUT MAXIBAG STRUCTURE	2,00			--
0020	VTVR71963		WASHER 8X24	2,00			--
0021	VTDD00225		SELF-LOCJ.NUT M 8 SMALL UNI 7474	2,00			--
0022	MPVR02288		PLAST.TROLLEY HANDLE	2,00			--



Ref. K	Part n.	Part n. 2	Description	Quantity	Validity		Price
					From	To	
0001	MPVR41815		COUPLING 99 FOR FLEX HOSE D.58/D.60	1,00			--
0002	TBFX00586		FLEX HOSE 58 G55 X METER	5,00			--
0003	MPVR72086		CUFF D.58/D.50 FOR FLEX HOSE	1,00			--