



**IPC**

**Spare parts list**

Ref: ASDO15515

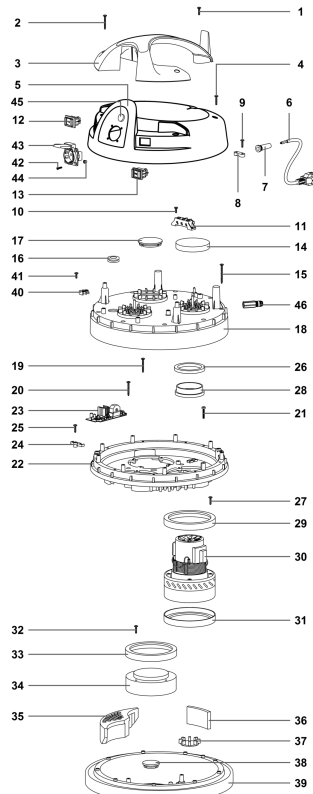
Model: VACUUM GS2/62HC TCPN TPR429M PU



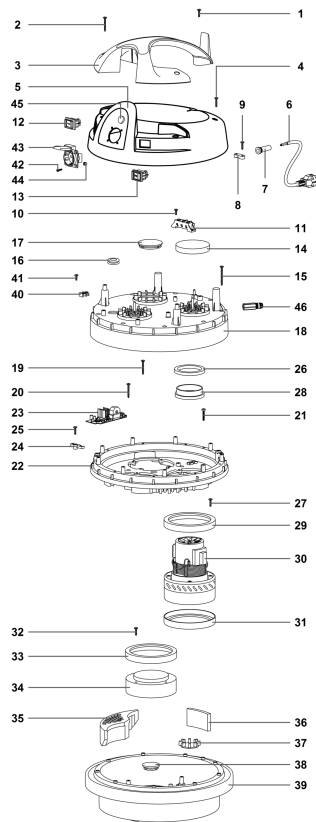
IPC Integrated Professional Cleaning

**IPC Soteco**

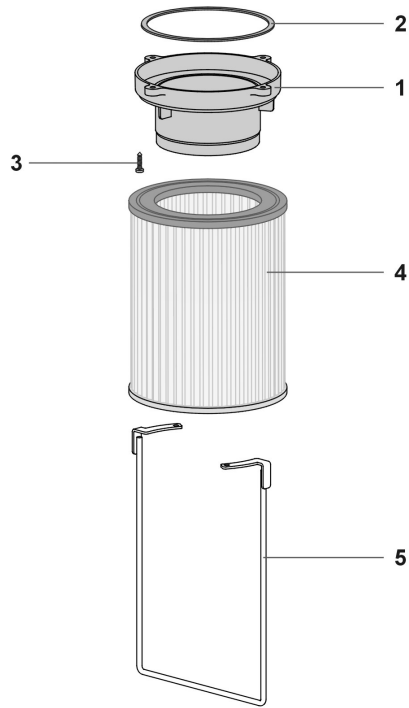
| Ref. K | Part n.   | Part n. 2 | Description                        | Quantity | Validity   |    | Price |
|--------|-----------|-----------|------------------------------------|----------|------------|----|-------|
|        |           |           |                                    |          | From       | To |       |
| 0001   | PMTA08532 |           | HEAD TOPPER 429 2ST ELPN VEI/N     | 1,00     |            |    | --    |
| 0002   | KTRI05590 |           | FILTERING KIT PULSAR H             | 1,00     | 10/09/2018 |    | --    |
| 0003   | PMFU02666 |           | TANK 400 AISI 430 NE/VEI COND      | 1,00     | 03/03/2017 |    | --    |
| 0004   | CARR01426 |           | BLACK TROLLEY MARKET               | 1,00     |            |    | --    |
| 0005   | PMDT01001 |           | ACCESSORIES 36 DRY ELPN CONDUTTIVO | 1,00     |            |    | --    |
| 0006   | FTDP40008 |           | BAG/FILTER T452SA 400 SERIES       | 1,00     |            |    | --    |



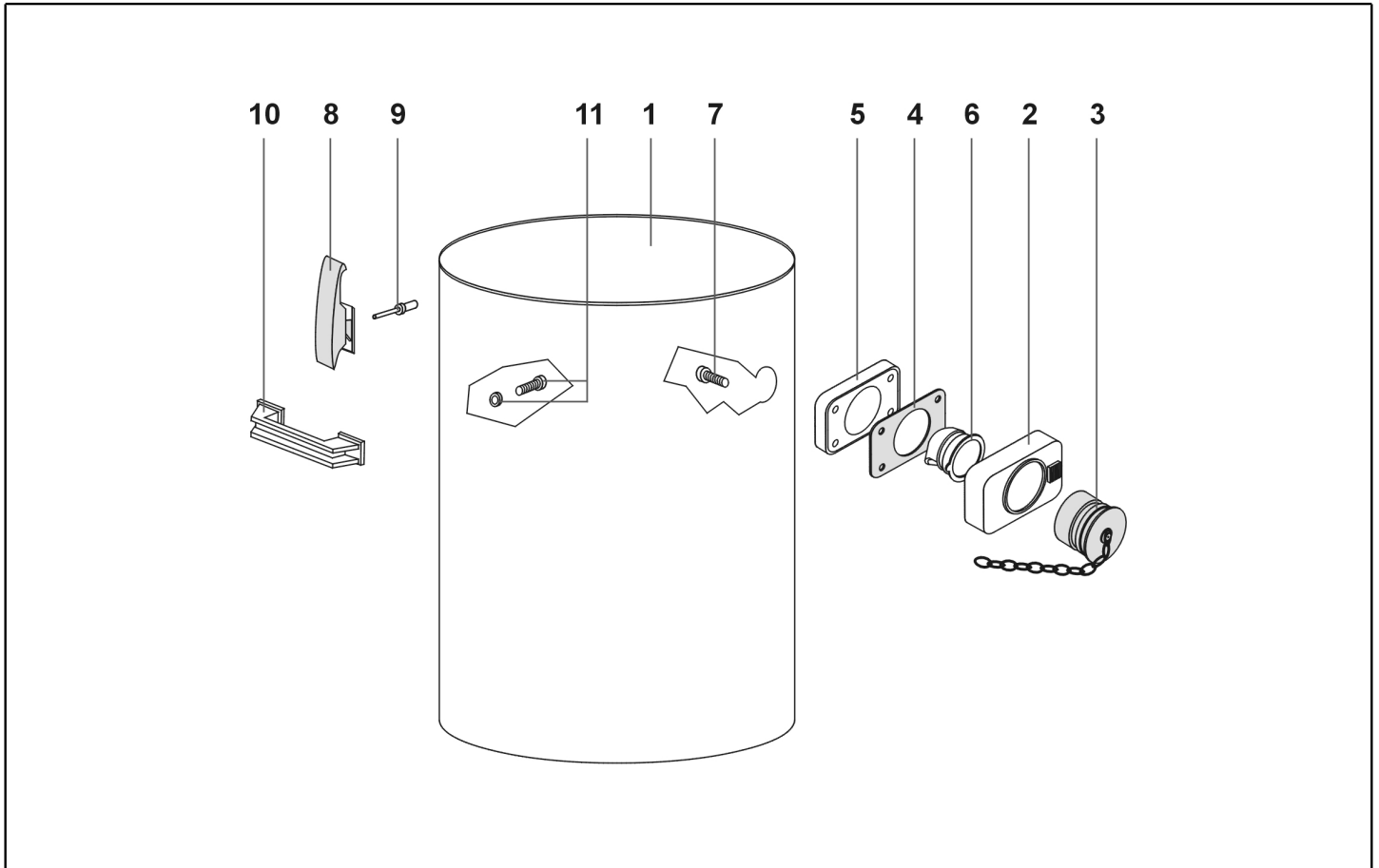
| Ref. K | Part n.   | Part n. 2 | Description                         | Quantity | Validity   |    | Price |
|--------|-----------|-----------|-------------------------------------|----------|------------|----|-------|
|        |           |           |                                     |          | From       | To |       |
| *      | PMVR02609 |           | PNEUMATIC SENSOR GROUP 600          | 1,00     |            |    | --    |
| *      | FSVR00127 |           | CLAMP                               | 8,00     |            |    | --    |
| *      | MECB01826 |           | WIRING 50CM MOTORE POKE-IN-TP       | 2,00     |            |    | --    |
| *      | MECB01540 |           | CONN.WIRE C.100-AR-DFF-DFF-S1,5     | 1,00     |            |    | --    |
| *      | MECB01669 |           | CONN.WIRE M.350-G/V-FF-FF-S1,5      | 1,00     |            |    | --    |
| *      | MECB01675 |           | CONN.WIRE M.400-G/V-FF-SP9-S1,5     | 1,00     |            |    | --    |
| *      | MECB01670 |           | CONN.WIRE M.450-G/V-FF-5,2-S1,5     | 1,00     |            |    | --    |
| 0001   | VTVT71961 |           | SCREW PFU TMT PHL 5X20 ZN NERA      | 1,00     |            |    | --    |
| 0002   | VTVT72106 |           | SCREW PAT TMT PHL 5X40 BLACK        | 2,00     |            |    | --    |
| 0003   | MPVR08307 |           | HANDLE TOPPER 600 GREEN IPC         | 1,00     |            |    | --    |
| 0004   | VTVT72055 |           | SCREW PFU TMT PHL 5X25 ZN BLACK     | 2,00     |            |    | --    |
| 0005   | PMVR06343 |           | COVER TOPPER 600 NE 3INT+PS.SK+     | 1,00     |            |    | --    |
| 0006   | MECB28740 |           | ELECTRIC CORD 3X1,5 MT 8,5          | 1,00     |            |    | --    |
| 0007   | MEVR28673 |           | FAIRLEAD                            | 1,00     |            |    | --    |
| 0008   | MPVR28690 |           | CABLE CLAMP                         | 1,00     |            |    | --    |
| 0009   | VTVT71961 |           | SCREW PFU TMT PHL 5X20 ZN NERA      | 1,00     |            |    | --    |
| 0010   | VTVT71960 |           | SCREW SCREW PAT TMT PHL 5X14 ZN     | 2,00     |            |    | --    |
| 0011   | PMQE00272 |           | ELECTRIC KIT TERMINAL TC.400-600 RA | 1,00     |            |    | --    |
| 0012   | MECI28744 |           | ANTISPLASH RED LIGHT SWITCHER       | 2,00     |            |    | --    |
| 0013   | MECI38052 |           | COMMUTATOR ANTISPLASH               | 1,00     |            |    | --    |
| 0014   | FTDP38064 |           | FILTER MTP/65 H=15 D.95             | 2,00     |            |    | --    |
| 0015   | VTVT40007 |           | SCREW PAT TMT PHL 5X55 BLACK        | 9,00     |            |    | --    |
| 0016   | MEVR72017 |           | GUIDING SLIT FOR QUICK COUPLING     | 1,00     |            |    | --    |
| 0017   | MPVR38053 |           | COVERING CAP                        | 1,00     |            |    | --    |
| 0018   | PMVR05298 |           | NEV. COVERING 600 FOR PNEU. - GREEN | 1,00     | 08/02/2019 |    | --    |
| 0019   | VTVT72106 |           | SCREW PAT TMT PHL 5X40 BLACK        | 9,00     |            |    | --    |
| 0020   | VTVT72106 |           | SCREW PAT TMT PHL 5X40 BLACK        | 3,00     |            |    | --    |
| 0021   | VTVT01181 |           | SCREW TC CROSS M 5X30 UNI 7687      | 1,00     |            |    | --    |
| 0022   | PMVR06306 |           | MOTOR SUPPORT NEV. 600 X SP.L. NE   | 1,00     | 08/02/2019 |    | --    |
| 0023   | MECE00799 |           | PCB TELECONTROL 2015 LEG            | 1,00     | 23/07/2018 |    | --    |
| 0024   | LAFN87310 |           | CARD BLOCK BRACKET                  | 2,00     |            |    | --    |
| 0025   | VTVT71961 |           | SCREW PFU TMT PHL 5X20 ZN NERA      | 2,00     |            |    | --    |
| 0026   | MPVR38371 |           | WASHER H8 D85X65                    | 2,00     |            |    | --    |
| 0027   | VTVT71961 |           | SCREW PFU TMT PHL 5X20 ZN NERA      | 8,00     |            |    | --    |
| 0028   | MPVR86282 |           | RING MOTORE H=7 (15) PLAST.         | 2,00     |            |    | --    |
| 0029   | GUGO28683 |           | "L" GASKET W/O HOLES H=5,5          | 2,00     |            |    | --    |
| 0030   | MOMO00354 |           | MOTOR BD302 1000W 220-240 50/60     | 2,00     |            |    | --    |
| 0031   | GUGO28683 |           | "L" GASKET W/O HOLES H=5,5          | 2,00     |            |    | --    |
| 0032   | VTVT71961 |           | SCREW PFU TMT PHL 5X20 ZN NERA      | 4,00     |            |    | --    |
| 0033   | GUGO28683 |           | "L" GASKET W/O HOLES H=5,5          | 1,00     |            |    | --    |
| 0034   | MPVR07346 |           | FAKE MOTOR                          | 1,00     |            |    | --    |
| 0035   | FTDP38057 |           | ANTINOISE TRIANGLE H=51             | 3,00     |            |    | --    |
| 0036   | FTDP28745 |           | GASKET MTP/30 AU-AD 50X10X85        | 3,00     |            |    | --    |
| 0037   | MPVR28748 |           | AUTOMATIC VALVE                     | 2,00     |            |    | --    |



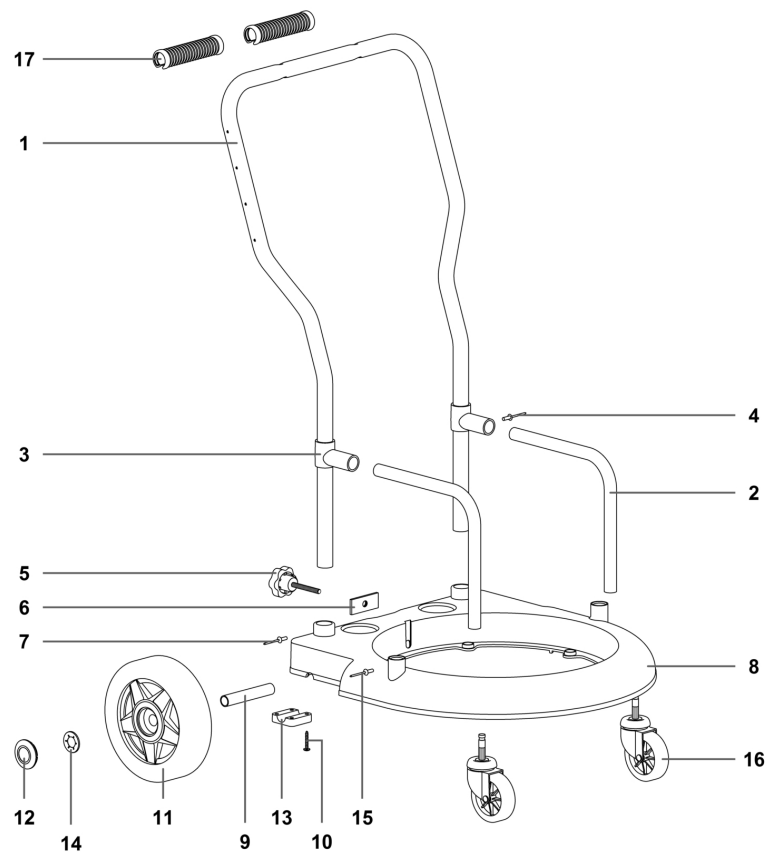
| Ref. K | Part n.   | Part n. 2 | Description                     | Quantity | Validity   |    | Price |
|--------|-----------|-----------|---------------------------------|----------|------------|----|-------|
|        |           |           |                                 |          | From       | To |       |
| 0038   | MPVR38058 |           | BASE CAP                        | 1,00     |            |    | --    |
| 0039   | PMBA00701 |           | BLACK BASE 600/400 W/GAS SL W/P | 1,00     | 07/09/2018 |    | --    |
| 0040   | MEVR02242 |           | CLAMP W/FASTON                  | 1,00     |            |    | --    |
| 0041   | VTVT71960 |           | SCREW SCREW PAT TMT PHL 5X14 ZN | 1,00     |            |    | --    |
| 0042   | VTVT01192 |           | SCREW TSP CROSS M 4X12 UNI 7688 | 4,00     |            |    | --    |
| 0043   | MEVR38061 |           | SCHUKO ADD.SOCKET W/PROTECTION  | 1,00     |            |    | --    |
| 0044   | VTDD00242 |           | NUT 4 M NYLON                   | 4,00     |            |    | --    |
| 0045   | MELF00068 |           | WARN.LIGHT GR. YE WIR/DIRTY     | 1,00     |            |    | --    |
| 0046   | RCIN00055 |           | QUICK SOCKET BIG 1/4" FEM. ANI  | 1,00     |            |    | --    |



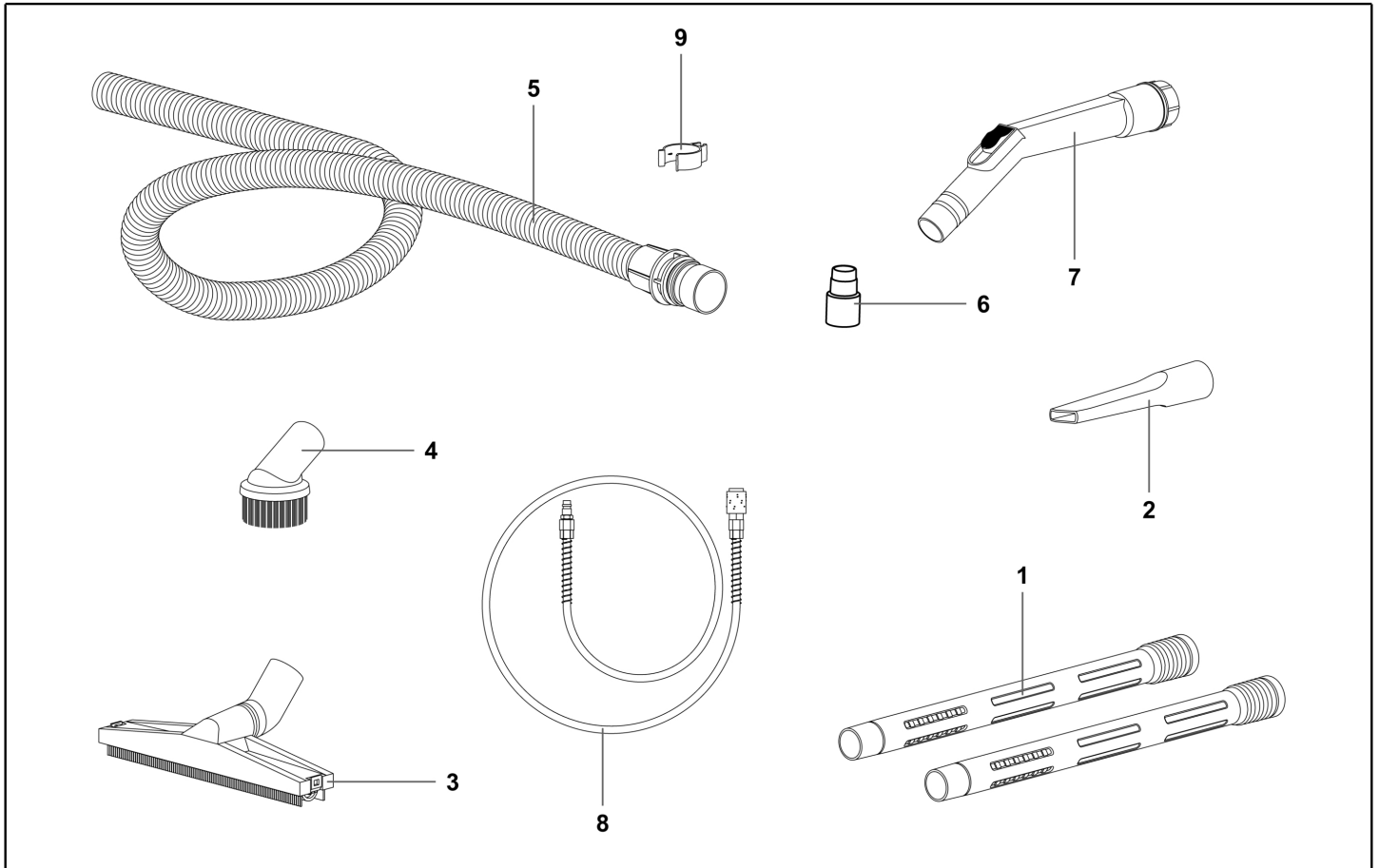
| Ref. K | Part n.   | Part n. 2 | Description                     | Quantity | Validity |    | Price |
|--------|-----------|-----------|---------------------------------|----------|----------|----|-------|
|        |           |           |                                 |          | From     | To |       |
| 0001   | MPVR10272 |           | CARTRIDGE HOLD. .               | 1,00     |          |    | --    |
| 0002   | GUVR00583 |           | GASKET AUTOADESIVA 157x127x3 MM | 1,00     |          |    | --    |
| 0003   | VTVT71961 |           | SCREW PFU TMT PHL 5X20 ZN NERA  | 4,00     |          |    | --    |
| 0004   | FTDP40006 |           | HEPA CARTRIDGE D.175X118 H=250  | 1,00     |          |    | --    |
| 0005   | LAFN08683 |           | BRACKET BLOC FIL CLASS H        | 1,00     |          |    | --    |



| Ref. K | Part n.   | Part n. 2 | Description                         | Quantity | Validity |    | Price |
|--------|-----------|-----------|-------------------------------------|----------|----------|----|-------|
|        |           |           |                                     |          | From     | To |       |
| 0001   | LAFN28734 |           | TANK 400 AISI 430                   | 1,00     |          |    | --    |
| 0002   | MPVR09044 |           | PIPE UNION 38 BLACK P/VEI A/G5 COND | 1,00     |          |    | --    |
| 0003   | RCVR00936 |           | PIPE UNION PIPE UNION D.38 COMPL.   | 1,00     |          |    | --    |
| 0004   | GUGO28701 |           | GASKET D.38                         | 1,00     |          |    | --    |
| 0005   | MPVR08670 |           | GASKET R 205 CONDUCTIVE             | 1,00     |          |    | --    |
| 0006   | MPVR28696 |           | DEFLECTOR 99                        | 1,00     |          |    | --    |
| 0007   | VTVT71966 |           | SCREW PAT TMT PHL 5X30 BLACK        | 4,00     |          |    | --    |
| 0008   | CHVR28735 |           | COMPLETE PLASTIC HOOK BLACK         | 2,00     |          |    | --    |
| 0009   | VTVR71991 |           | RIVET 5X11                          | 4,00     |          |    | --    |
| 0010   | MPVR28737 |           | BLACK HANDLE                        | 2,00     |          |    | --    |
| 0011   | RIGE00015 |           | COMPLETE SEAL W/SCREW L=25          | 4,00     |          |    | --    |

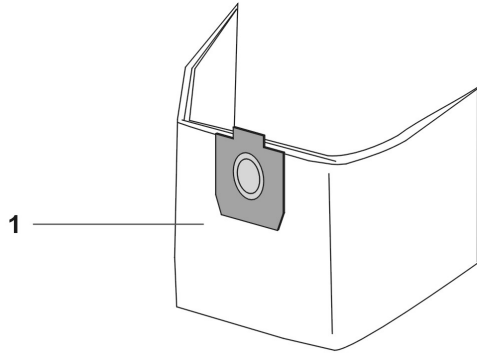


| Ref. K | Part n.   | Part n. 2 | Description                  | Quantity | Validity |    | Price |
|--------|-----------|-----------|------------------------------|----------|----------|----|-------|
|        |           |           |                              |          | From     | To |       |
| 0001   | LAFN09734 |           | HANDLE MARKET 400 BLACK      | 1,00     |          |    | --    |
| 0002   | MPVR02240 |           | VARNISHED SUPPORT TUBE       | 2,00     |          |    | --    |
| 0003   | LAFN03247 |           | HOSE T ST.MKT                | 2,00     |          |    | --    |
| 0004   | VTVR00396 |           | RIVET 4,8X17 BLACK           | 2,00     |          |    | --    |
| 0005   | VTVR00162 |           | HAND-WHEEL M 8X60            | 1,00     |          |    | --    |
| 0006   | LAFN06613 |           | PLATE LOCKING THREADED       | 1,00     |          |    | --    |
| 0007   | VTVR00396 |           | RIVET 4,8X17 BLACK           | 2,00     |          |    | --    |
| 0008   | MPVR08479 |           | TROLLEY BODY 400 MARKET B    | 1,00     |          |    | --    |
| 0009   | LAFN09549 |           | WHEEL PIN D.18X105 SP.1.5 ZN | 2,00     |          |    | --    |
| 0010   | VTVT71966 |           | SCREW PAT TMT PHL 5X30 BLACK | 8,00     |          |    | --    |
| 0011   | RTRT85069 |           | REAR WHEEL D.200             | 2,00     |          |    | --    |
| 0012   | MPVR85070 |           | WHEEL CAP D.200/250 BLACK    | 2,00     |          |    | --    |
| 0013   | MPVR28774 |           | LOCK PIVOT BRACKET           | 2,00     |          |    | --    |
| 0014   | MPVR86321 |           | BLOC. D.18                   | 2,00     |          |    | --    |
| 0015   | VTVR00396 |           | RIVET 4,8X17 BLACK           | 2,00     |          |    | --    |
| 0016   | RTRT40020 |           | FRONT WHEEL D.80 W/PIVOT     | 2,00     |          |    | --    |
| 0017   | MPVR02288 |           | PLAST.TROLLEY HANDLE         | 2,00     |          |    | --    |

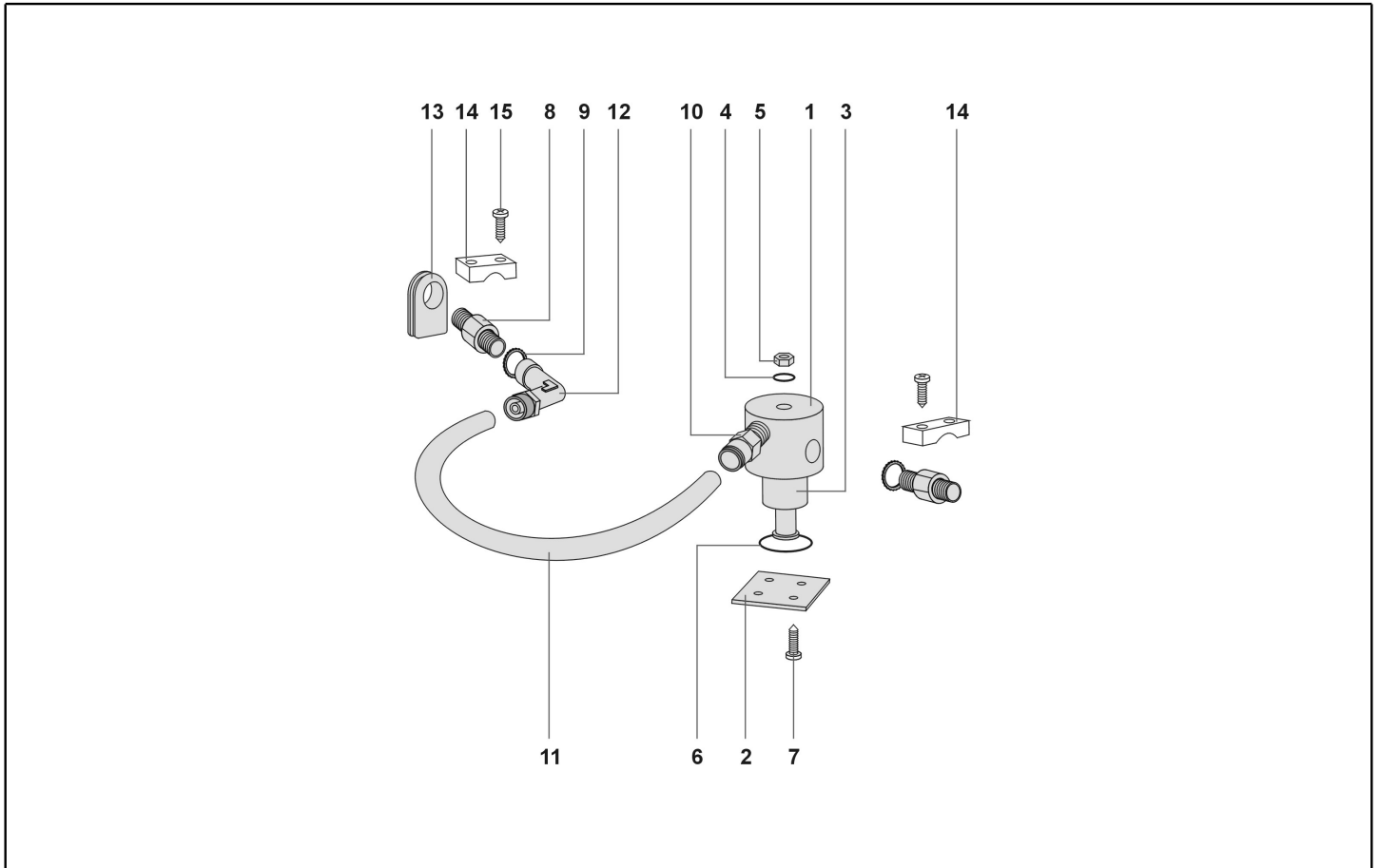


| Ref. K | Part n.   | Part n. 2 | Description                            | Quantity | Validity   |    | Price |
|--------|-----------|-----------|--|----------|------------|----|-------|
|        |           |           |  |          | From       | To |       |
| 0001   | MPVR85407 |           | PLAST.TUBE D.36 MT.0,50                | 2,00     |            |    | --    |
| 0002   | SPPV28242 |           | FLAT LANCE D.36                        | 1,00     |            |    | --    |
| 0003   | SPPV33288 |           | JOINT TOOL D.36                        | 1,00     |            |    | --    |
| 0004   | SPPV28243 |           | ROUND TOOL                             | 1,00     |            |    | --    |
| 0005   | TBFX01500 |           | FLEXIBLE HOSE 32 MT.4 1MAN. CONDUTTORE | 1,00     |            |    | --    |
| 0006   | MPVR06998 |           | COUPLING REDUCTION IMPLEMENT D.32      | 1,00     |            |    | --    |
| 0007   | LAFN10880 |           | CURVE PL C/R ARIA M/FIL COND           | 1,00     | 14/02/2018 |    | --    |
| 0008   | TBBP00655 |           | TUBE ELASTORAN 4,5m C/RACC.ANI         | 1,00     |            |    | --    |
| 0009   | MPVR85445 |           | FLEX HOSE CLIPS                        | 9,00     |            |    | --    |

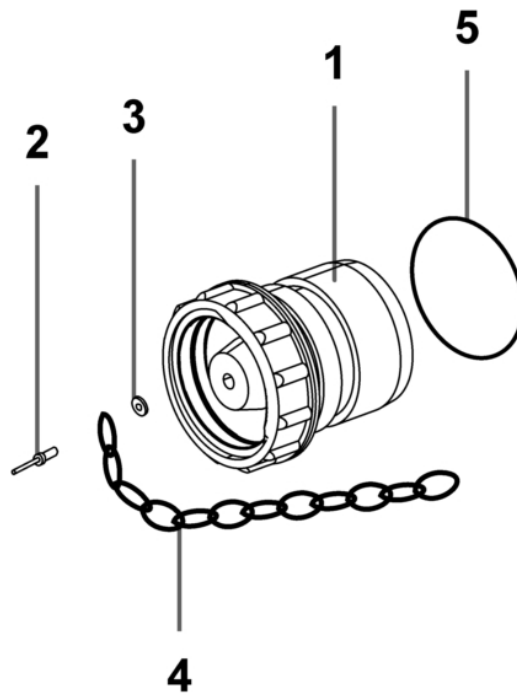




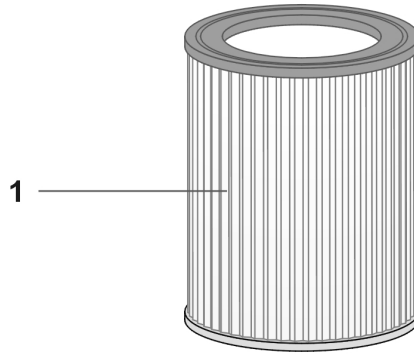
| Ref. K | Part n.   | Part n. 2 | Description                  | Quantity | Validity |    | Price |
|--------|-----------|-----------|------------------------------|----------|----------|----|-------|
|        |           |           |                              |          | From     | To |       |
| 0001   | FTDP40008 |           | BAG/FILTER T452SA 400 SERIES | 1,00     |          |    | --    |
| 0001   | FTDP40008 |           | BAG/FILTER T452SA 400 SERIES | 1,00     |          |    | --    |



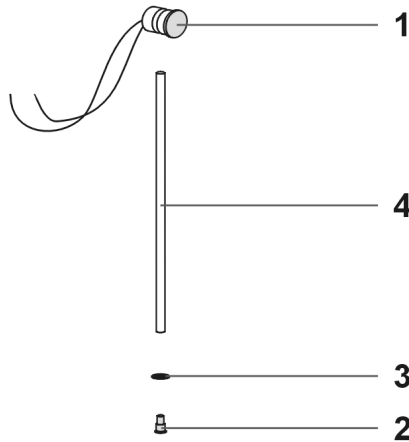
| Ref. K | Part n.   | Part n. 2 | Description                     | Quantity | Validity   |    | Price |
|--------|-----------|-----------|---------------------------------|----------|------------|----|-------|
|        |           |           |                                 |          | From       | To |       |
| 0001   | LAFN10179 |           | BODY PNE. SENS. 1/4" X AUTOP.   | 1,00     |            |    | --    |
| 0002   | LAFN08269 |           | PLATE PNEUMATIC SENSOR          | 1,00     |            |    | --    |
| 0003   | MERL00019 |           | ADJUSTER COMPLETE LEVEL         | 1,00     |            |    | --    |
| 0004   | GUGO00486 |           | O-RING 2031 NBR 7,66 X 1,78     | 1,00     | 15/02/2016 |    | --    |
| 0005   | VTDD00271 |           | NUT NYLON NERO M8X1,25          | 1,00     | 15/02/2016 |    | --    |
| 0006   | GUGO00337 |           | O-RING 2112                     | 1,00     |            |    | --    |
| 0007   | VTVT71965 |           | SCREW M 4X10 "TS"               | 4,00     |            |    | --    |
| 0008   | RCVR00887 |           | BRASS NIPPLE 1/4" CH14 L=50     | 2,00     |            |    | --    |
| 0009   | VTRS00409 |           | TOOTHED WASHER M12 UNI 8842     | 2,00     |            |    | --    |
| 0010   | RCVR00857 |           | CONNECTOR 1/4" MALE 10/8        | 1,00     |            |    | --    |
| 0011   | TBBP00540 |           | TUBE RILSAN 10/8 PER MT.NEUTR.  | 0,25     |            |    | --    |
| 0012   | RCVR00858 |           | CONNECTOR 1/4" FEMALE 10/8      | 1,00     |            |    | --    |
| 0013   | MEVR86518 |           | GUIDING SLIT LAVA               | 2,00     |            |    | --    |
| 0014   | MPVR28794 |           | FIXING BOLT CONN.               | 2,00     |            |    | --    |
| 0015   | VTVT72055 |           | SCREW PFU TMT PHL 5X25 ZN BLACK | 4,00     |            |    | --    |



| Ref. K | Part n.   | Part n. 2 | Description                  | Quantity | Validity   |    | Price |
|--------|-----------|-----------|------------------------------|----------|------------|----|-------|
|        |           |           |                              |          | From       | To |       |
| 0001   | RCVR01104 |           | SLEEVE D.38 CHIUSO TORNITO   | 1,00     | 22/03/2016 |    | --    |
| 0002   | VTVR71992 |           | RIVET RIVET 4,8X17           | 1,00     |            |    | --    |
| 0003   | VTRS00389 |           | CRICKET M 6X18X1,5 UNI 6593  | 1,00     |            |    | --    |
| 0004   | PVVR00131 |           | GENOVESE CHAIN GALV.N°14     | 0,28     |            |    | --    |
| 0005   | GUGO00408 |           | O-RING D.INT. 44,12X2,62 NBR | 1,00     |            |    | --    |



| Ref. K | Part n.   | Part n. 2 | Description                    | Quantity | Validity |    | Price |
|--------|-----------|-----------|--------------------------------|----------|----------|----|-------|
|        |           |           |                                |          | From     | To |       |
| 0001   | FTDP40006 |           | HEPA CARTRIDGE D.175X118 H=250 | 1,00     |          |    | --    |
| 0001   | FTDP40006 |           | HEPA CARTRIDGE D.175X118 H=250 | 1,00     |          |    | --    |



| Ref. K | Part n.   | Part n. 2 | Description                               | Quantity | Validity |    | Price |
|--------|-----------|-----------|---|----------|----------|----|-------|
|        |           |           |   |          | From     | To |       |
| 0001   | MEPF00035 |           | PRESSURE SWITCH PRESS.REG.+YELLOW LIGHT 2 | 1,00     |          |    | --    |
| 0002   | RCVR00845 |           | HOSE FITTING WARNING LIGHT                | 1,00     |          |    | --    |
| 0003   | VTRS00415 |           | WASHER SELF-LOC. D.6 ZA6                  | 1,00     |          |    | --    |
| 0004   | TBBP00547 |           | TUBE PVC D.5X3 CM46 X WAR LIGH            | 1,00     |          |    | --    |