

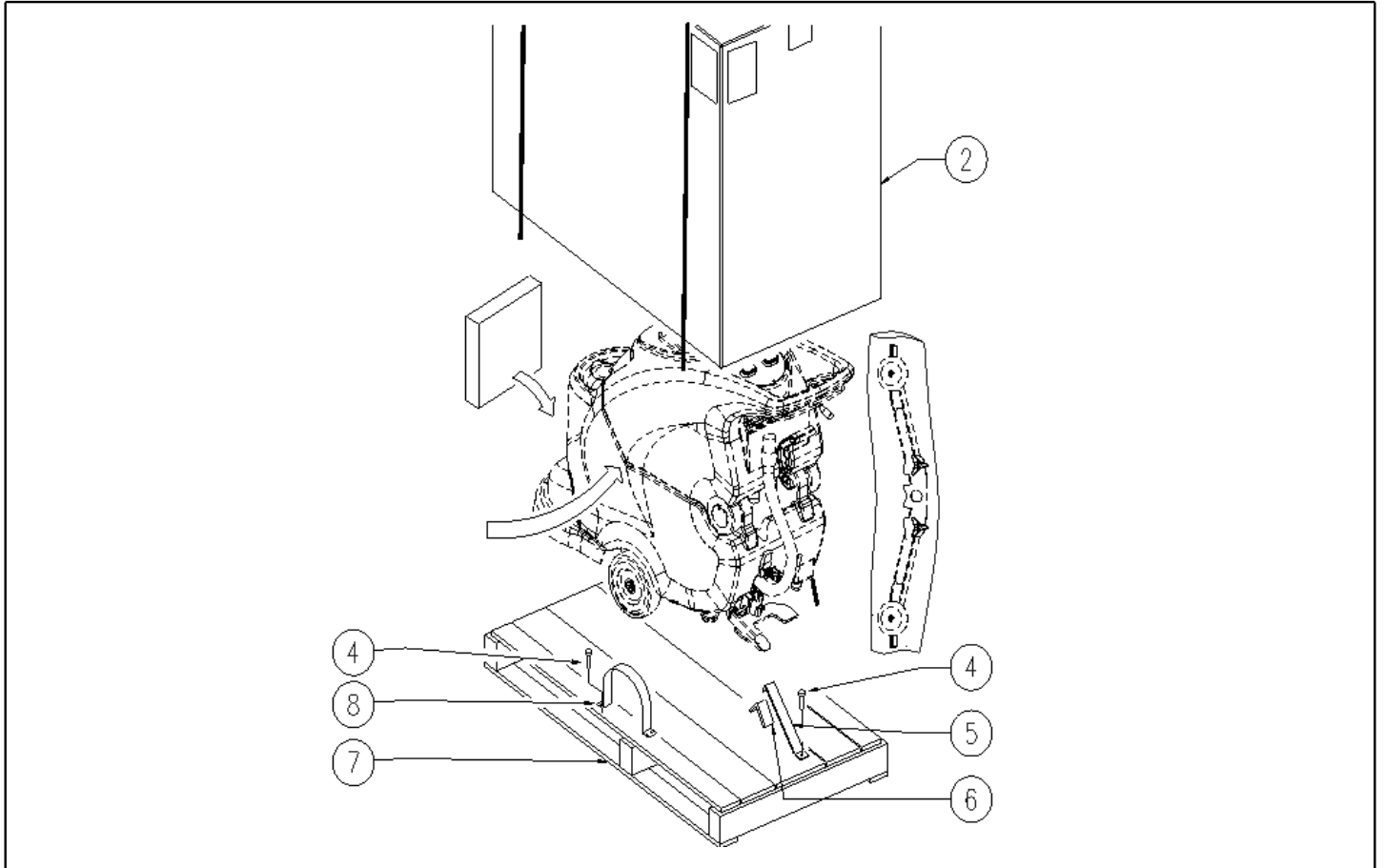


**IPC**

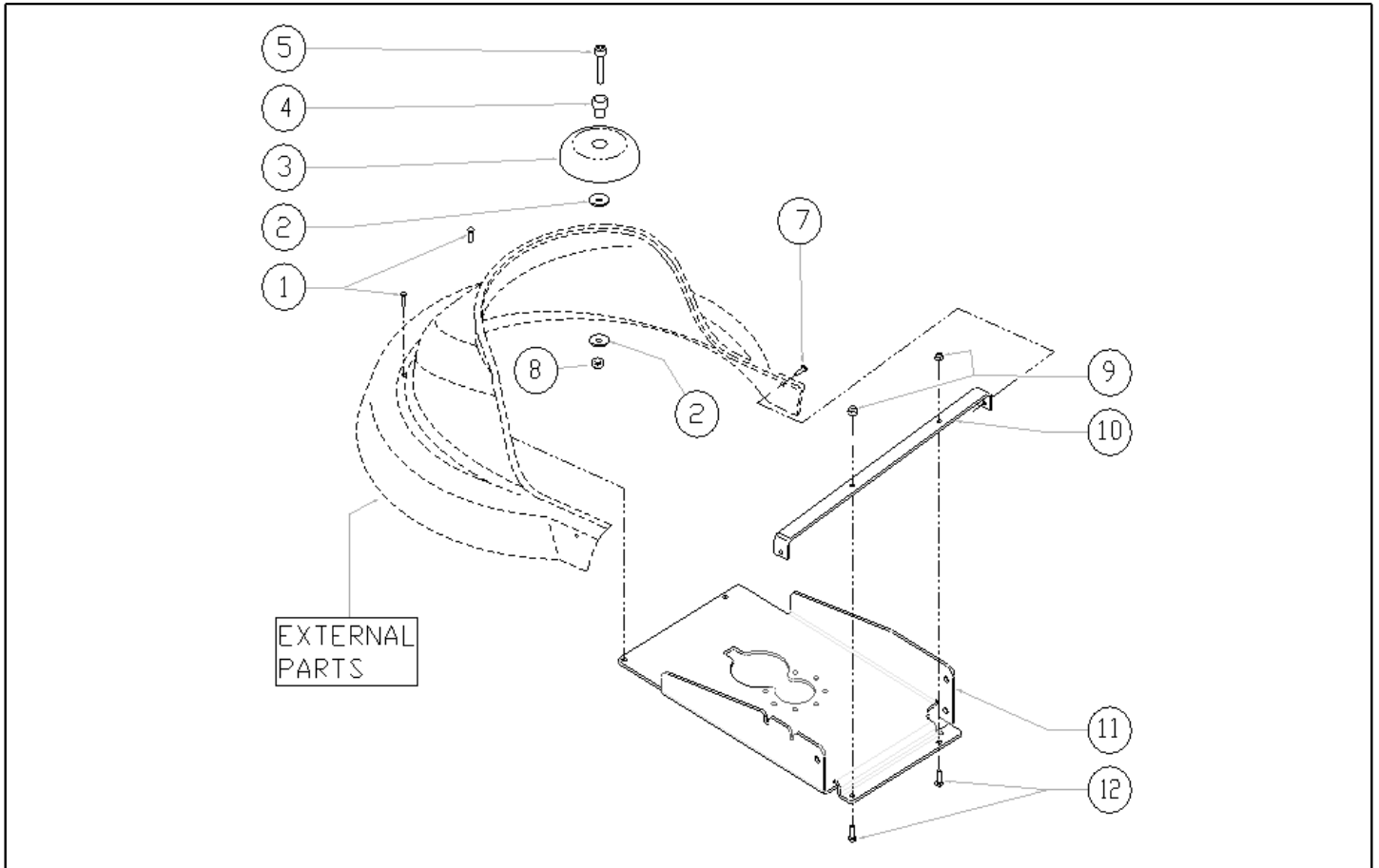
**Spare parts list**

Ref: LPTB01465

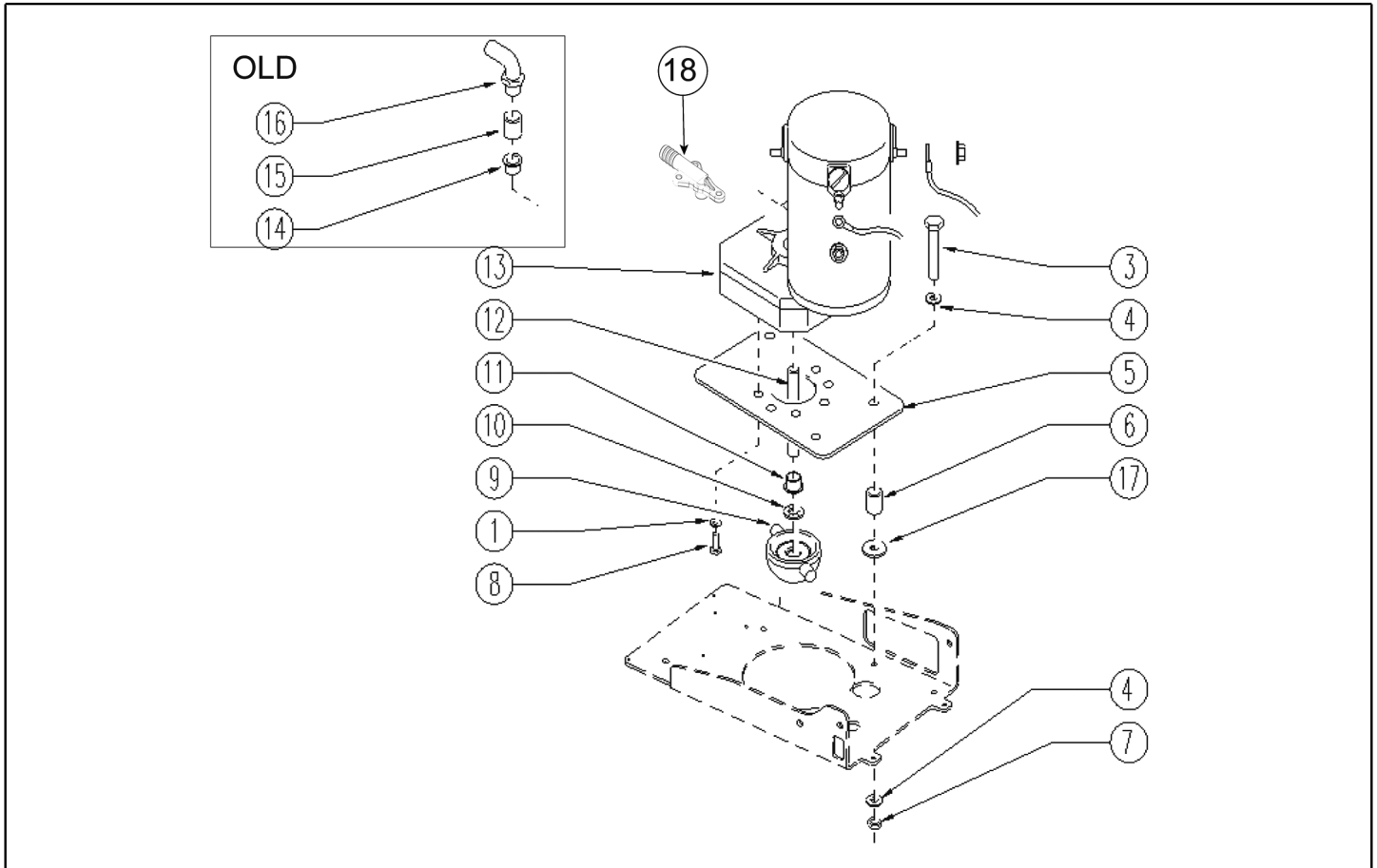
Model: FLOOR WASHER CT40 BT50+CB+BAT GR/VE



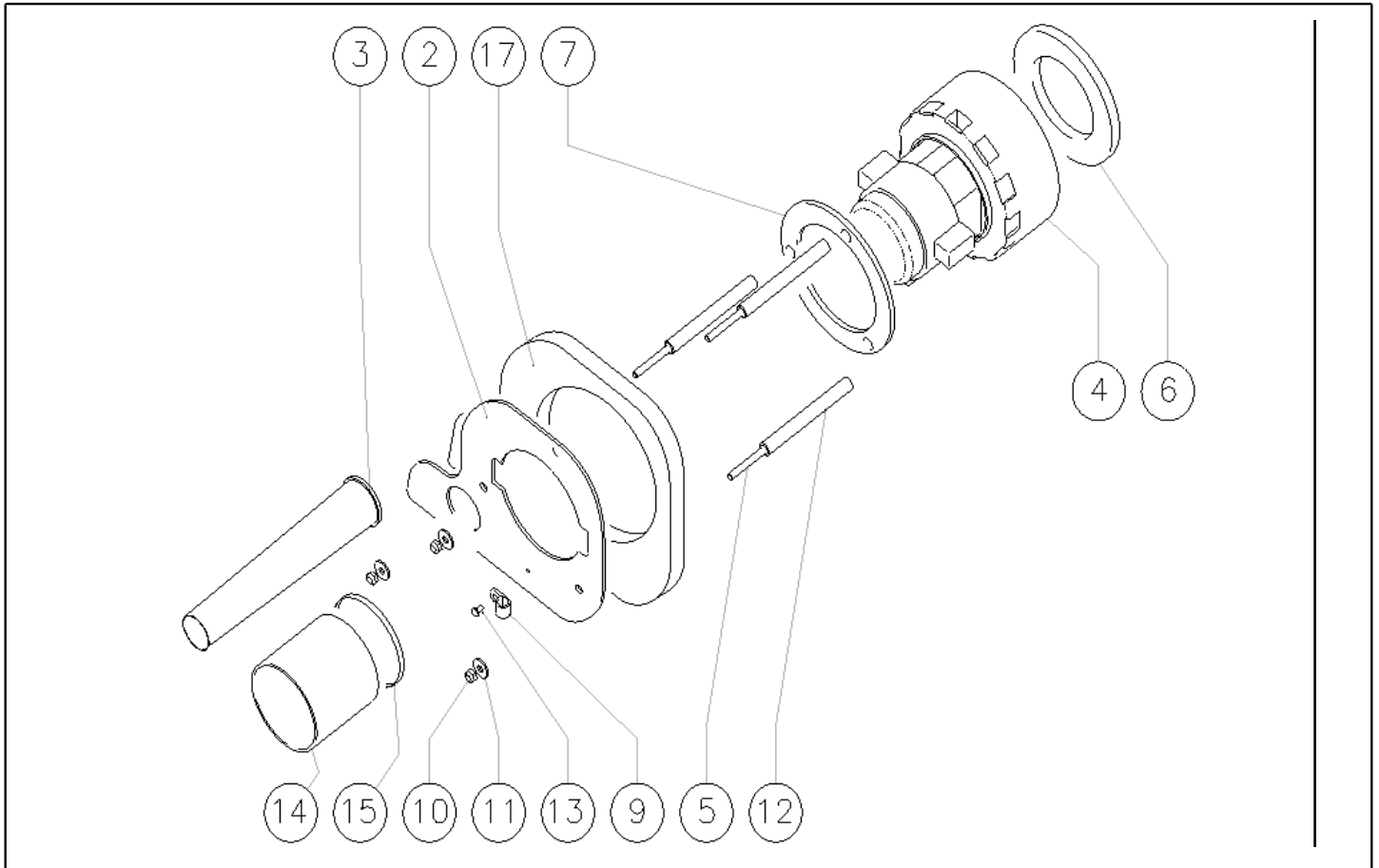
Ref. K	Part n.	Part n. 2	Description	Quantity	Validity		Price
					From	To	
0002	MICT00147		CARTON IMBALLO RULLI	1,00			--
0004	VTVT00043		SCREW AUTOF.LEGNO 4,5X25 TS BR	9,00			--
0005	MIVR00137		CLAMP RUOTA POSTERIORE X IMBAL.	1,00			--
0006	GUGO00009		MOUSSE	0,05			--
0007	MIBA00077		PALLET RULLI	1,00			--
0008	MIVR00135		CLAMP RUOTA POSTERIORE X IMBAL.	2,00			--



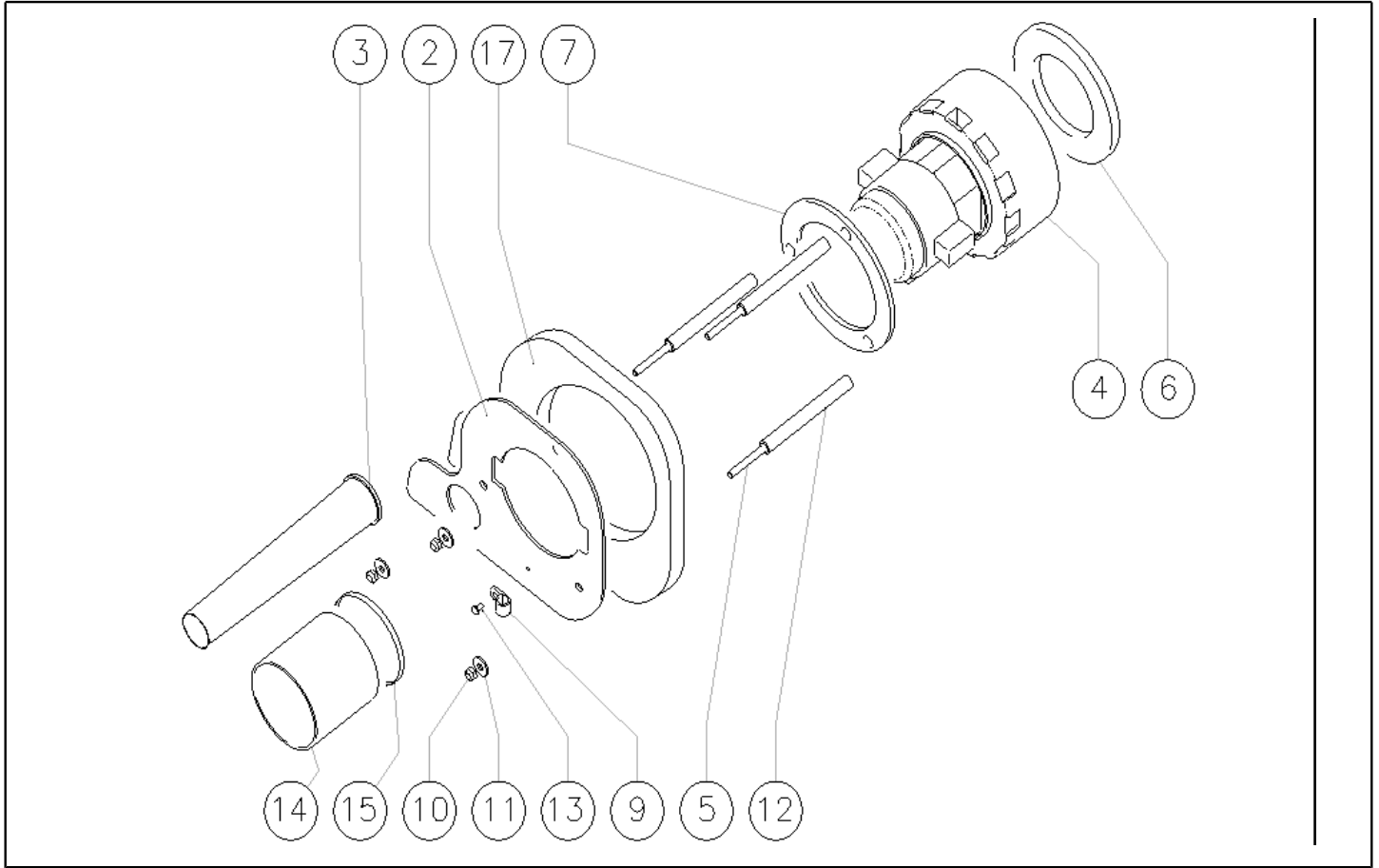
Ref. K	Part n.	Part n. 2	Description	Quantity	Validity		Price
					From	To	
0001	VTVT00659		SCREW TC+ M. 4-15	2,00		14/02/2010	--
0001	VTVT01366		SCREW M4X16	2,00	15/02/2010	07/04/2016	--
0001	VTVT01004		SCREW TC+ M4 X 10 TRILOBATA	2,00	08/04/2016		--
0002	VTRS13946		WASHER D. 8 X24 INX UNI 6593	2,00			--
0003	MPVR05290		ROLLER SIDE BUMPER WHEEL	1,00			--
0004	LAFN03915		BUSHING NUOVO RUOTINO STRONG	1,00			--
0005	VTVT17349		SCREW TCEI M 8X30	1,00		16/06/2009	--
0005	VTVT00822		SCREW TCEI M 8-30	1,00	17/06/2009		--
0007	VTVT01366		SCREW M4X16	2,00			--
0008	VTDD01695		NUT M 8 INX	1,00			--
0009	VTDD15518		NUT M 6 INX	2,00			--
0010	LAFN05899		SUPPORT BRACKET CARTER 1 EXTREME	1,00			--
0011	LAFN07373		PLATE RIDUTTORE	1,00			--
0012	VTVT15143		SCREW TE 6X16 UNI5739	2,00			--



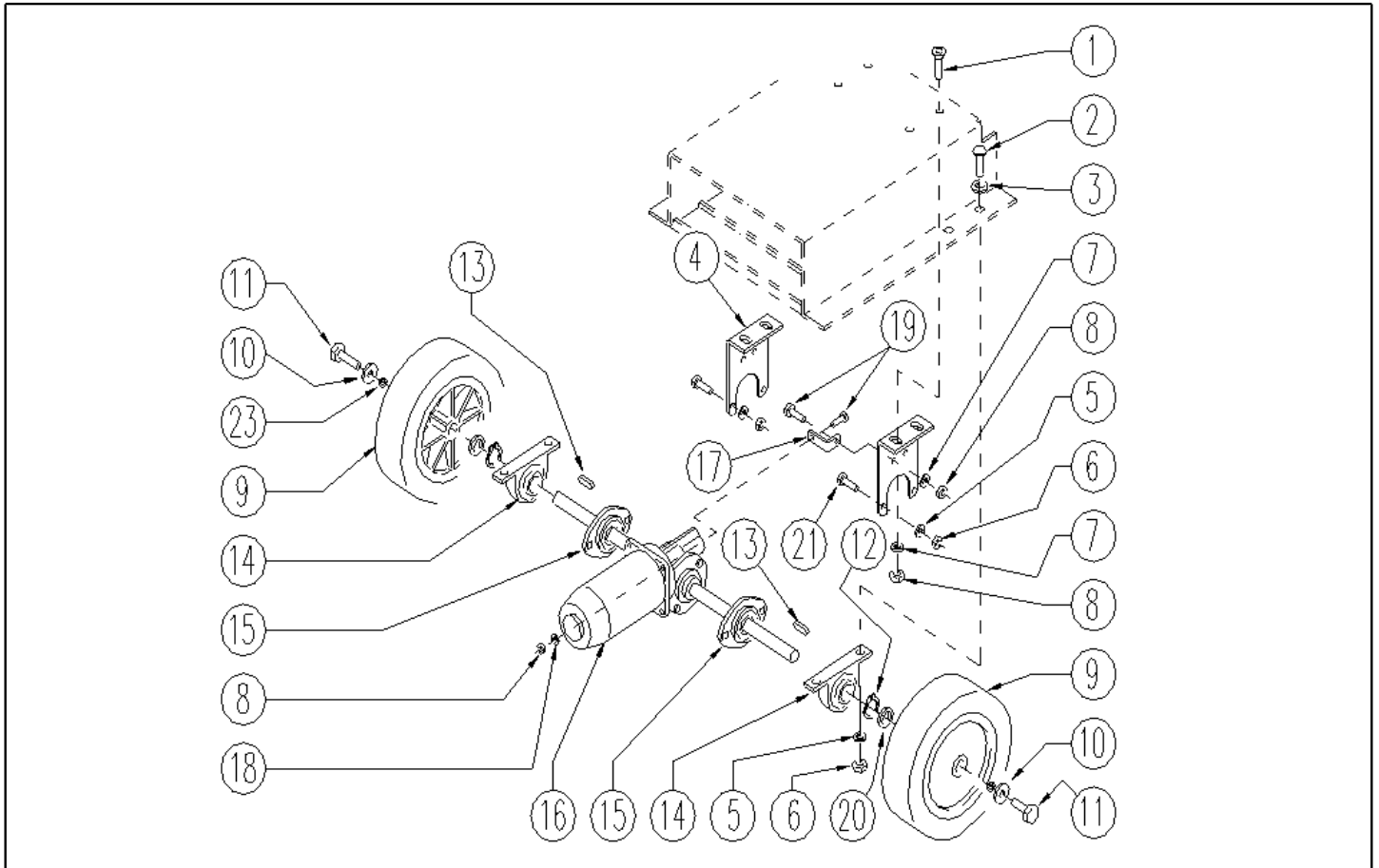
Ref. K	Part n.	Part n. 2	Description	Quantity	Validity		Price
					From	To	
0001	VTRS15144		WASHER D. 6 INX GRW UNI 1751	8,00			--
0003	VTVT13937		SCREW TE M 8X 30 INX UNI 5739	4,00		01/03/2008	--
0004	VTRS13947		WASHER D. 8 INX UNI 6592	4,00		01/03/2008	--
0005	LAFN05920		FLANGE RIDUTTORE	1,00		01/03/2008	--
0006	RCDS34717		BUSHING D. 9X12X 8.3	4,00		01/03/2008	--
0007	VTDD01695		NUT M 8 INX	4,00		01/03/2008	--
0008	VTVT15906		SCREW TE 6X 12 A2 UNI 5739	8,00			--
0009	MFVR00134		DRIVE DISK ALUMINIUM S.B.	1,00			--
0010	MPVR02997		CLIP ANELLO X PERNO D10	1,00		18/05/2009	--
0010	VTVR00416		HANDWHEEL M 6MAX110 D.35	1,00	19/05/2009		--
0011	CUVR43254		BUSHING CB 85 1010 18T	1,00		24/07/2013	--
0012	LAFN04202		TUBE SOLUZIONE INOX D10	1,00		24/07/2013	--
0013	MOCC00298		MOTOR.GEARBOX MRP6	1,00		11/02/2008	--
0013	MOCC00327		MOTOR GEARBOX 24V 550W	1,00	12/02/2008	24/07/2013	--
0013	MOCC00344		BRUSH -	4,00			--
0013	MOCC00405		MOTOR	1,00	25/07/2013		--
0014	CUVR43254		BUSHING CB 85 1010 18T	1,00		24/07/2013	--
0015	LAFN51028		BUSHING	1,00		24/07/2013	--
0016	RCVR45752		HOSE FITTING "L" 3/8M - D.10 PLS.	1,00		24/07/2013	--
0017	VTRS00241		WASHER D. 8-24	4,00		01/03/2008	--
0018	RCDS00046		CONNECTOR -	1,00	25/07/2013		--



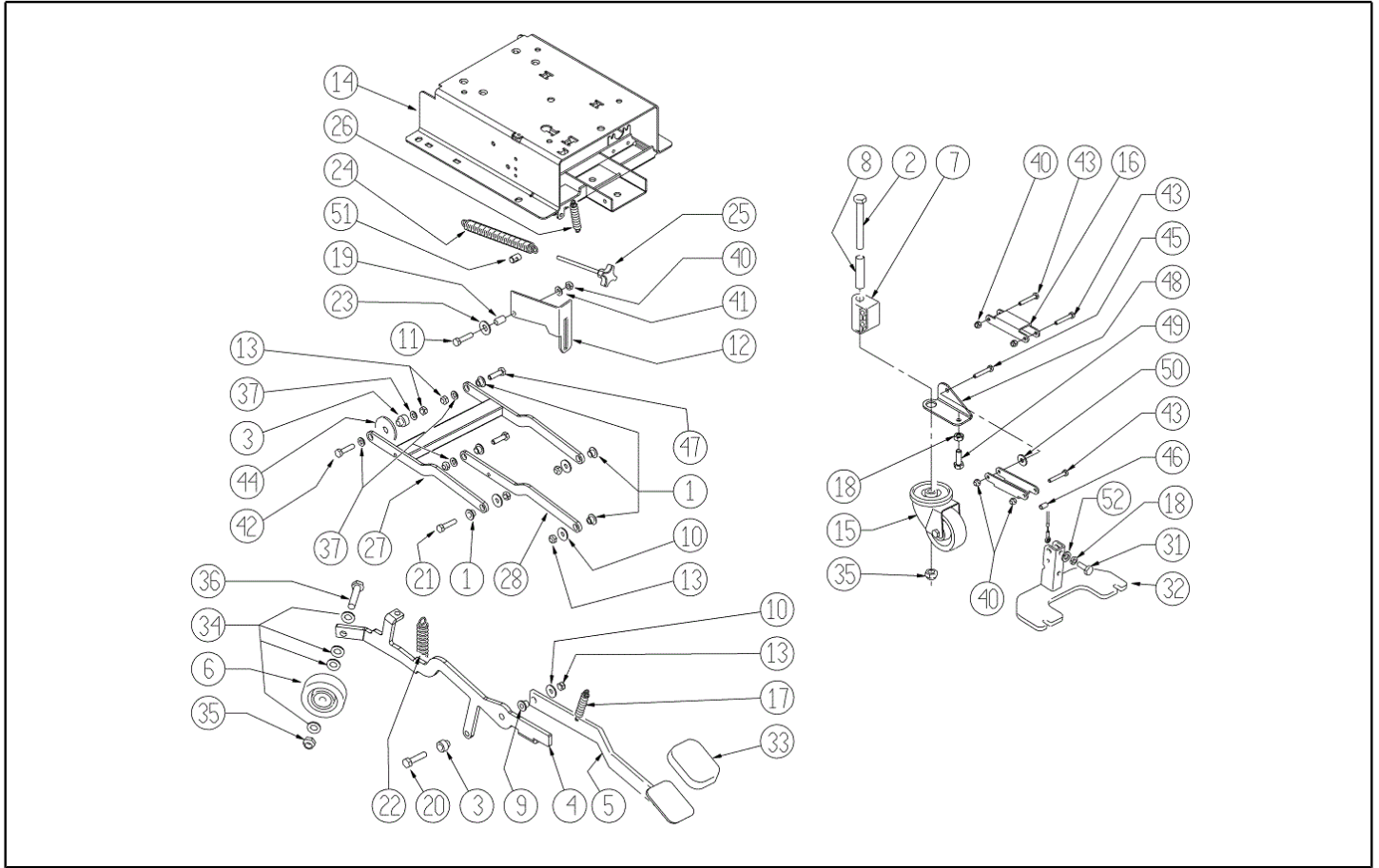
Ref. K	Part n.	Part n. 2	Description	Quantity	Validity		Price
					From	To	
0002	S	LAFN06363	FLANGE ASPIRATORE	1,00			--
0003		TBFX00244	TUBE D 34 L200MM	1,00		14/06/2007	--
0003	S	MPVR05259	TUBE SCARICO	1,00	15/06/2007		--
0004		MOCC00253	MOTOR ASPIR.BIST.24V	1,00		04/11/2008	--
0004	S	MOCC00349	MOTOR VACUUM 2 STAGES 24V	1,00	05/11/2008		--
0004		MEVR05200	CARBON MOTORE ASP.AMET.116599-13	2,00			--
0005		VTVR00198	ROD	3,00			--
0006	S	GUGO00272	GASKET VACUUM MOTOR CT	1,00			--
0007	S	MPVR04724	FLANGE IN NYLON	1,00			--
0009	S	FSVR00099	CLAMP FERMATUBO	1,00			--
0010		VTDD01694	NUT M6 INOX	3,00			--
0011		VTRS13945	WASHER D. 6X18 INX UNI 6593	3,00			--
0012		LAFN51078	SPACER SH	3,00			--
0013	S	VTVT00813	SCREW M 4X 8 TCB-TC UNI 8112	1,00			--
0014		TBFX00268	SUCTION HOSE D80 L=80MM	1,00		30/04/2007	--
0014	S	TBFX00312	TUBE ASPIRAZIONE	1,00	01/05/2007		--
0015		FSVR00500	CLAMP 80-100 INOX	1,00		30/04/2007	--
0015	S	FSVR00118	CLAMP D.94	1,00	01/05/2007		--
0017	S	MPVR05103	SOUND-PROOFING ASPIRATORE	1,00			--



Ref. Part n.	Part n. 2	Description	Reference	Price
KTRI01781			0002 0003 0004 0006 0007 0009 0013 0014 0015 0017	--

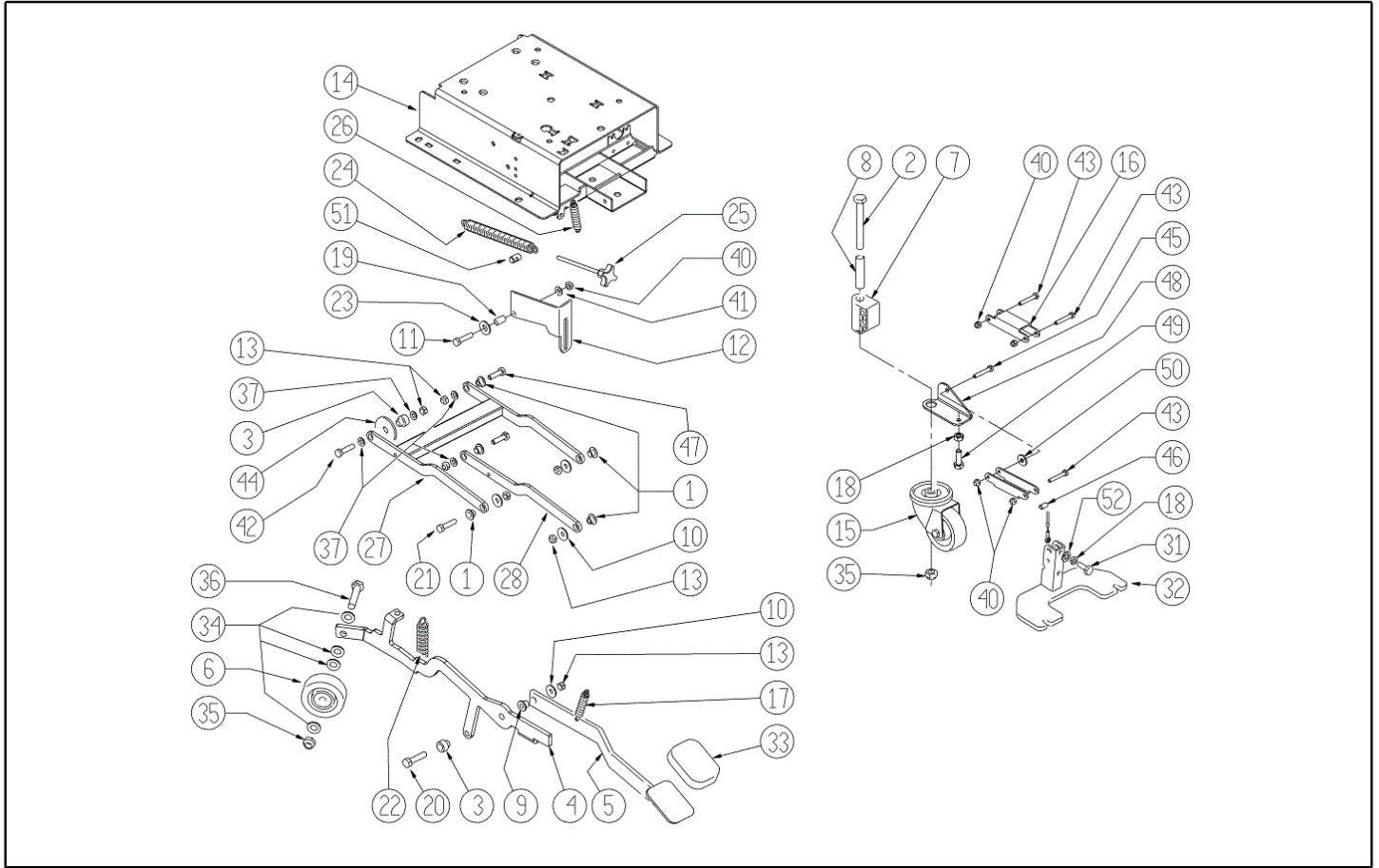


Ref. K	Part n.	Part n. 2	Description	Quantity	Validity		Price
					From	To	
0001	VTVT13940		SCREW M 6X 20 TSPEI UNI 5933	4,00			--
0002	VTVT00842		SCREW	4,00			--
0003	VTRS15978		WASHER D.12X24 UNI 6592 INX	4,00			--
0004	LAFN09092		BRACKET MOTORE	2,00			--
0005	VTRS13947		WASHER D. 8 INX UNI 6592	8,00			--
0006	VTDD01695		NUT M 8 INX	8,00			--
0007	VTRS13945		WASHER D. 6X18 INX UNI 6593	5,00			--
0008	VTDD01694		NUT M6 INOX	6,00			--
0009	RTRT00503		WHEEL CT40	2,00			--
0010	VTRS13946		WASHER D. 8 X24 INX UNI 6593	2,00			--
0011	VTVT15916		SCREW TE M 8X 16 UNI 5739 A2	2,00			--
0012	VTAE06193		CIRCLIP D. 20 UNI 7435	2,00			--
0013	VTVR33668		KEY 6x 6x40 UNI 6604A	2,00			--
0014	CUVR00169		BEARING FLANGIA P47	2,00			--
0015	CUVR00105		BEARING SB204KDF+PFL204PTN	2,00			--
0016	MOCC00348		MOTOR AOMPDIF 24V 145W	1,00			--
0016	MEVR01070		CARBON	2,00			--
0017	LAFN09093		SMALL SQUARE -	1,00			--
0018	VTRS00245		WASHER D.6 UNI 6592 INOX	1,00			--
0019	VTVT13939		SCREW TE 6X20 UNI5739 INX	2,00			--
0020	VTRS00019		WASHER UNI 6592 FORO 20 INOX	2,00			--
0021	VTVT15907		SCREW TE 8X25 UNI5739 INX	4,00			--
0023	VTRS15146		WASHER GROVER A2 UNI1751	2,00			--

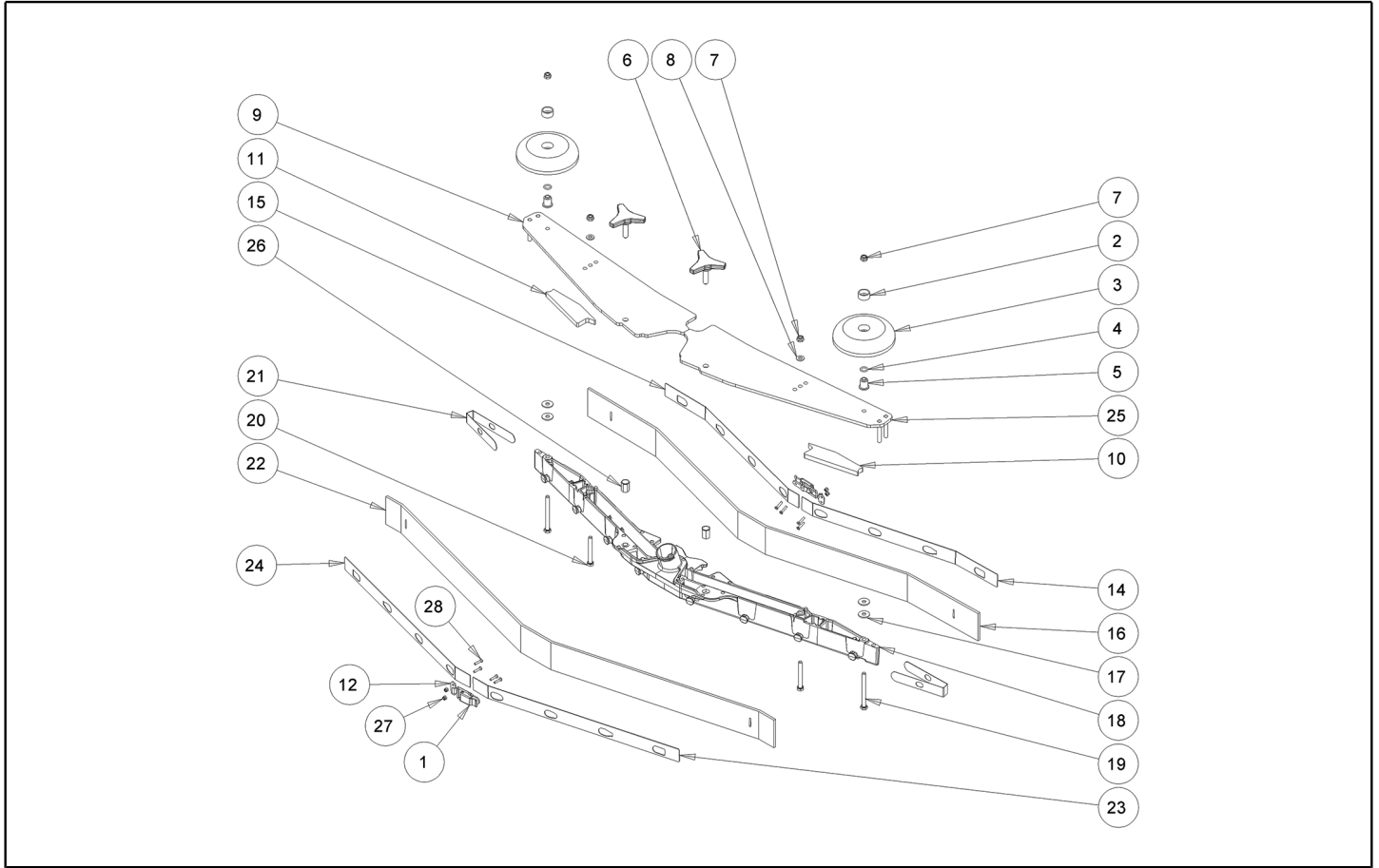


Ref. K	Part n.	Part n. 2	Description	Quantity	Validity		Price
					From	To	
0001	LAFN06391		BUSHING BRUSH DECK SUPPORT	5,00			--
0002	VTVT24212		SCREW TE M 12X100 UNI 5737 INOX	1,00			--
0003	LAFN04190		BUSHING PARALLELOGR.TEST.GR.	2,00			--
0004	LAFN07872		LEVER -	1,00			--
0005	LAFN07602		LEVER -	1,00		30/06/2013	--
0005	LAFN09270		PEDAL BRUSH HEAD LIFTING	1,00	01/07/2013		--
0006	RTRT49171		CASTER D. 80-12	1,00			--
0007	MPVR04734		BLOCK TERGI	1,00			--
0008	LAFN09006		PIN -	1,00			--
0009	LAFN51068		BUSHING LEVA POSTER.	1,00			--
0010	VTRS13946		WASHER D. 8 X24 INX UNI 6593	4,00			--
0011	VTVT00161		SCREW TE M6X20	1,00			--
0012	LAFN10124		PLATE	1,00			--
0013	VTDD01695		NUT M 8 INX	7,00			--
0014	LAFN07293		BASE SERBATOIO	1,00			--
0015	RTRT00276		SMALL WHEEL GIREVOLE PER SPAZZANTE	1,00		15/03/2017	--
0015	RTRT00518		WHEEL CASTOR D.80X30	1,00	16/03/2017		--
0016	LAFN05853		LEVER ARM SOLLEVAMENTO TERGI	2,00			--
0017	MLML34726		SPRING TR E350 N	1,00			--
0018	VTDD15521		NUT M 8 INX A2 UNI 5588	1,00			--
0019	LAFN03840		BUSHING	1,00			--
0020	VTVT15917		SCREW TE M 8X50 INOX A2 UNI	1,00			--
0021	VTVT15907		SCREW TE 8X25 UNI5739 INX	3,00			--
0022	MLML00313		SPRING -	1,00			--
0023	VTRS00274		WASHER NYLON 66 D.8,4-17-2 UNI	1,00			--
0024	MLML31130		SPRING D. 17.5 X110 N38	1,00			--
0025	VTVR35749		HANDWHEEL M 6MAX110 D.35	1,00			--
0026	MLML00303		SPRING L=54,1 D.=9,4	1,00			--
0027	LAFN06388		ARM TESTATA SUPERIORE	1,00			--
0028	LAFN06389		ARM PARALLELOGRAMMA	1,00			--
0031	VTVT00410		SCREW TE M8x35 UNI5739 INOX	1,00			--
0032	LAFN07560		PLATE -	1,00			--
0033	MPVR05186		COVER -	1,00			--
0034	VTRS15978		WASHER D.12X24 UNI 6592 INX	4,00			--
0035	VTDD00176		NUT M.12 INOX A2 BASSO AUTOB.	2,00			--
0036	VTVT00836		SCREW TE M12-60 INOX	1,00			--
0037	VTRS13947		WASHER D. 8 INX UNI 6592	4,00			--
0040	VTDD01694		NUT M6 INOX	5,00			--
0041	VTRS00245		WASHER D.6 UNI 6592 INOX	1,00			--
0042	VTVT00410		SCREW TE M8x35 UNI5739 INOX	1,00			--
0043	VTVT01683		SCREW TE 6X40	3,00			--
0044	MPVR05134		GASKET D.60 FORO D.12 SP.2	1,00			--
0045	VTVT01684		SCREW TE 6X45	1,00			--
0046	LAFN06898		SPACER 6-8 h15	1,00			--

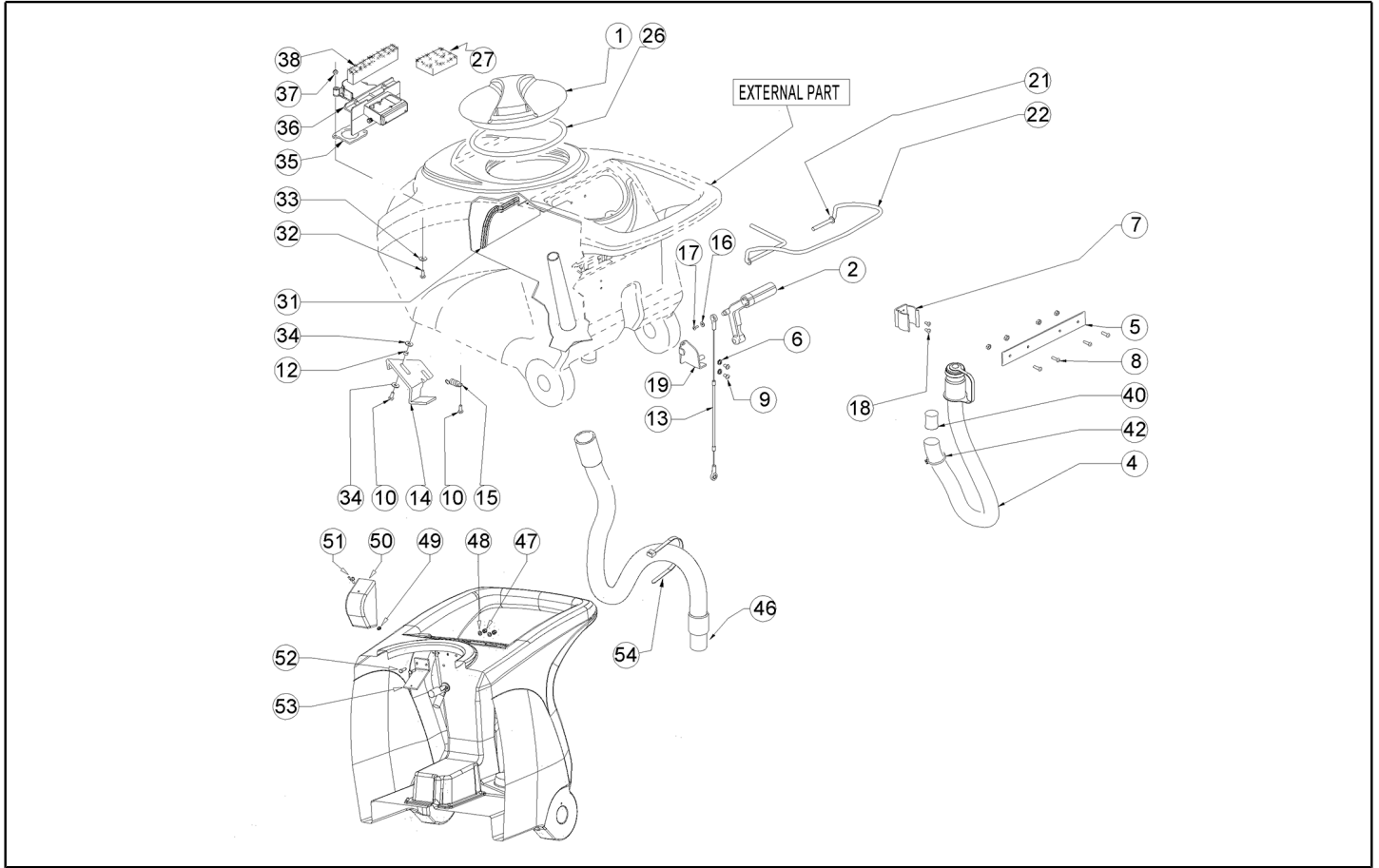




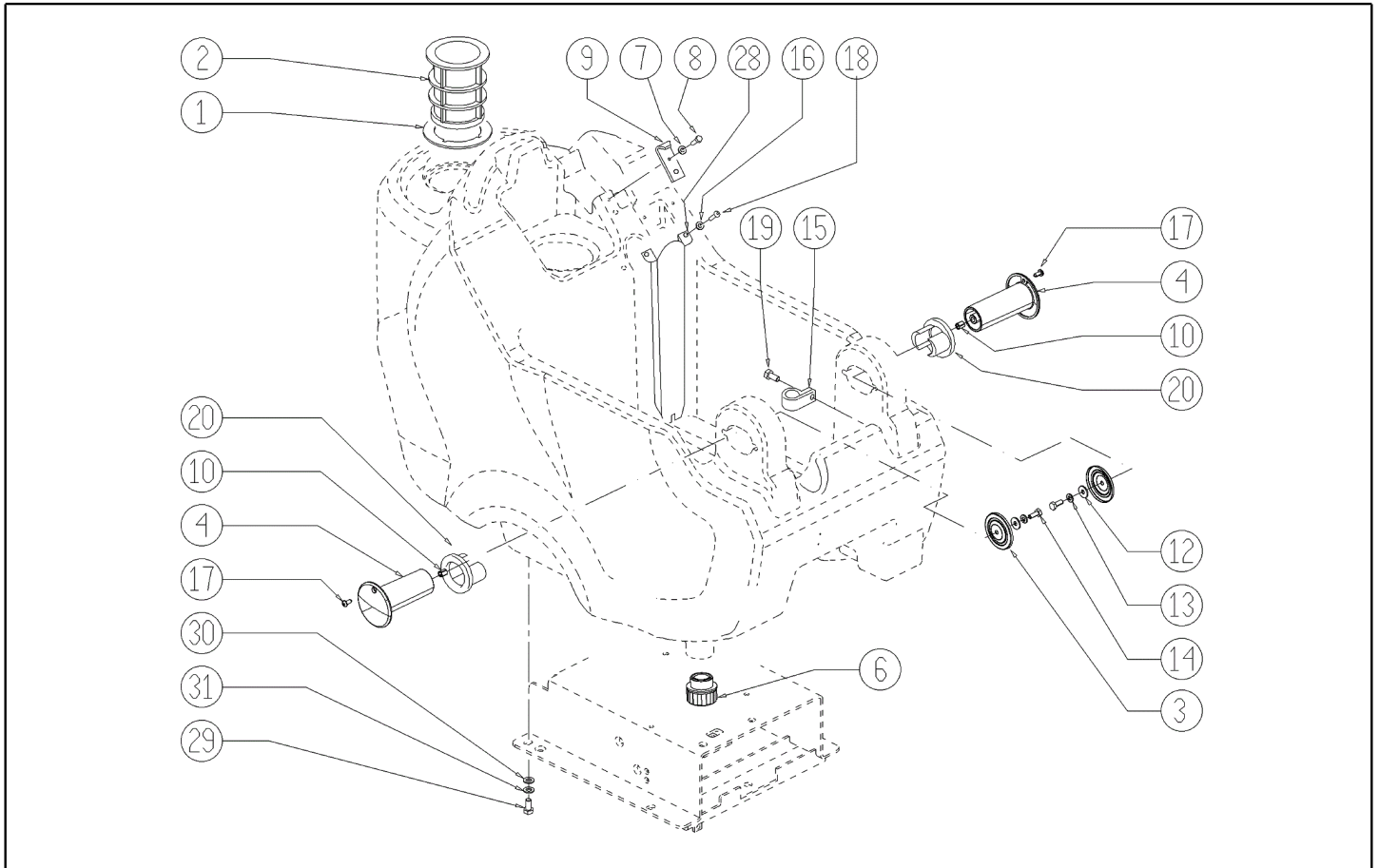
Ref. K	Part n.	Part n. 2	Description	Quantity	Validity		Price
					From	To	
0047	VTVT13937		SCREW TE M 8X 30 INX UNI 5739	2,00			--
0048	LAFN08999		BRACKET -	1,00			--
0049	VTVT13938		SCREW TE 8X20 UNI5739 INX	1,00			--
0050	VTRS13945		WASHER D. 6X18 INX UNI 6593	1,00			--
0051	LAFN35747		SPRING SUPPORT LAV. E/B 450	1,00			--
0052	VTRS15146		WASHER GROVER A2 UNI1751	1,00	25/03/2013		--



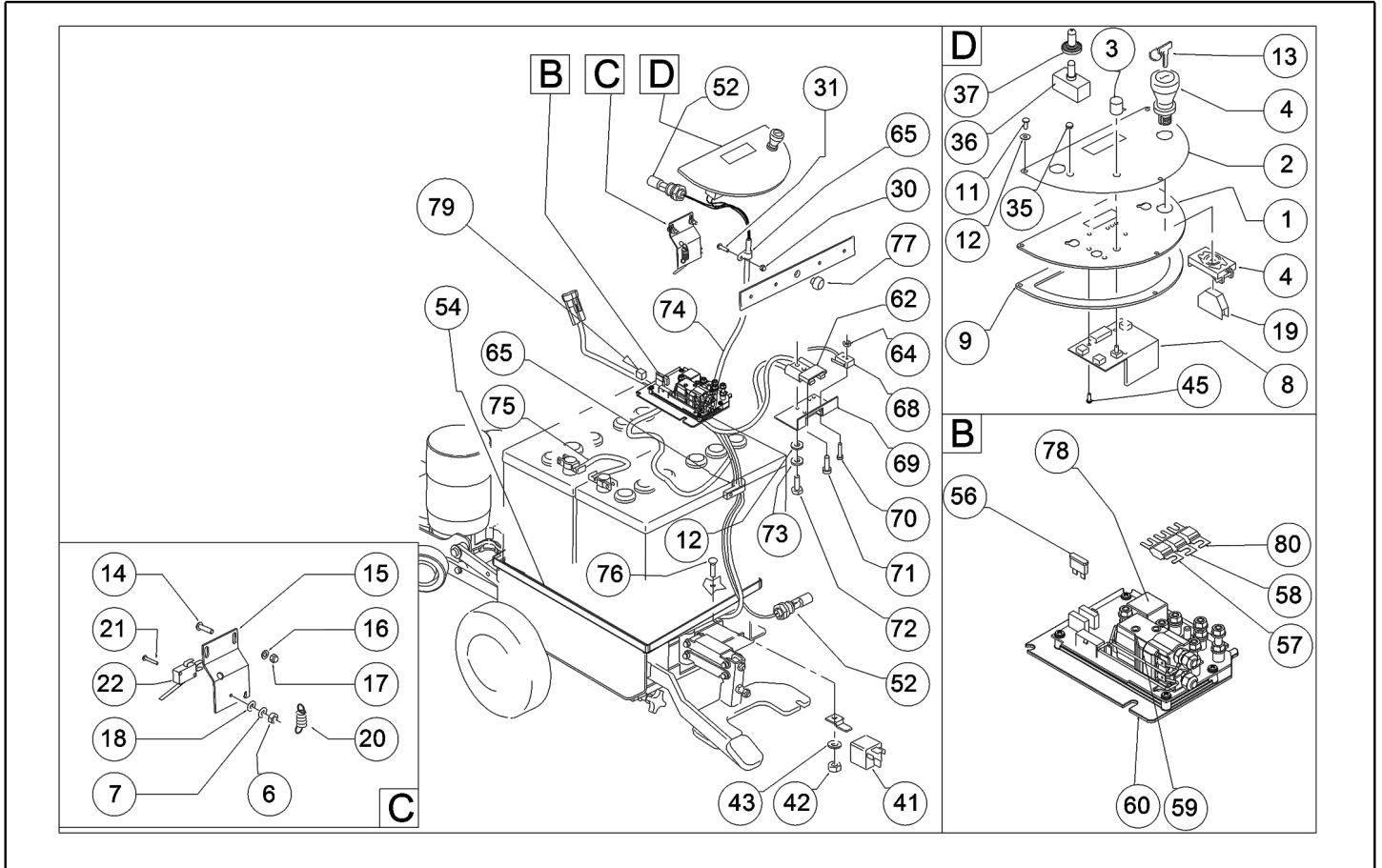
Ref. K	Part n.	Part n. 2	Description	Quantity	Validity		Price
					From	To	
0001	LAFN09302		CLOSURE -	2,00	26/09/2013		--
0002	MPVR49229		BUSHING SHK	2,00			--
0003	MPVR05290		ROLLER SIDE BUMPER WHEEL	2,00			--
0004	GUGO00164		GASKET	2,00			--
0005	LAFN04100		SPACER FOR BUMPER WHEEL	2,00			--
0006	MPVR06003		KNOB AISI 304	2,00		05/03/2013	--
0006	MPVR06004		KNOB AISI 304	2,00	06/03/2013		--
0007	VTDD01700		NUT M6 INOX+ZIN.	2,00			--
0008	VTRS00245		WASHER D.6 UNI 6592 INOX	2,00			--
0009	LAFN09012		PLATE -	1,00			--
0010	GUVR00301		GASKET -	1,00			--
0011	GUVR00300		GASKET -	1,00			--
0012	LAFN09301		SOCKET -	2,00	26/09/2013		--
0014	LAFN08948		BRACKET -	1,00		25/09/2013	--
0014	LAFN09279		BLADE HOLDER S SIZE ANT. RIGHT	1,00	26/09/2013		--
0015	LAFN08949		BRACKET -	1,00		25/09/2013	--
0015	LAFN09280		SHEET METAL PA. -	1,00	26/09/2013		--
0016	MPVR05800		RUBBER BLADE FRONT SQUEEGEE S PU	1,00			--
0017	VTRS13945		WASHER D. 6X18 INX UNI 6593	4,00			--
0018	KTRI02048		BODY SQUEEGEE PRESSOFUSO "S"	1,00			--
0019	VTVT00841		SCREW TE M 6X65 UNI 5739 INX	2,00			--
0020	VTVT15515		SCREW TE M 6X 50 INOX A2	2,00			--
0021	MPVR05897		CLOSURE S	2,00			--
0022	MPVR05802		RUBBER REAR SQUEEGEE S PU	1,00			--
0023	LAFN08950		BRACKET -	1,00		25/09/2013	--
0023	LAFN09281		SHEET METAL PA. -	1,00	26/09/2013		--
0024	LAFN08951		BRACKET -	1,00		25/09/2013	--
0024	LAFN09283		BLADE HOLDER S SIZE POST. LEFT	1,00	26/09/2013		--
0025	LAFN09013		PLATE -	1,00			--
0026	VTVR00565		INSERT -	2,00			--
0027	VTDD00210		NUT M 3 AUTOBL DIN 985 IX.A2	8,00	26/09/2013		--
0028	VTVT01070		SCREW TSTC M3X8	8,00	26/09/2013		--



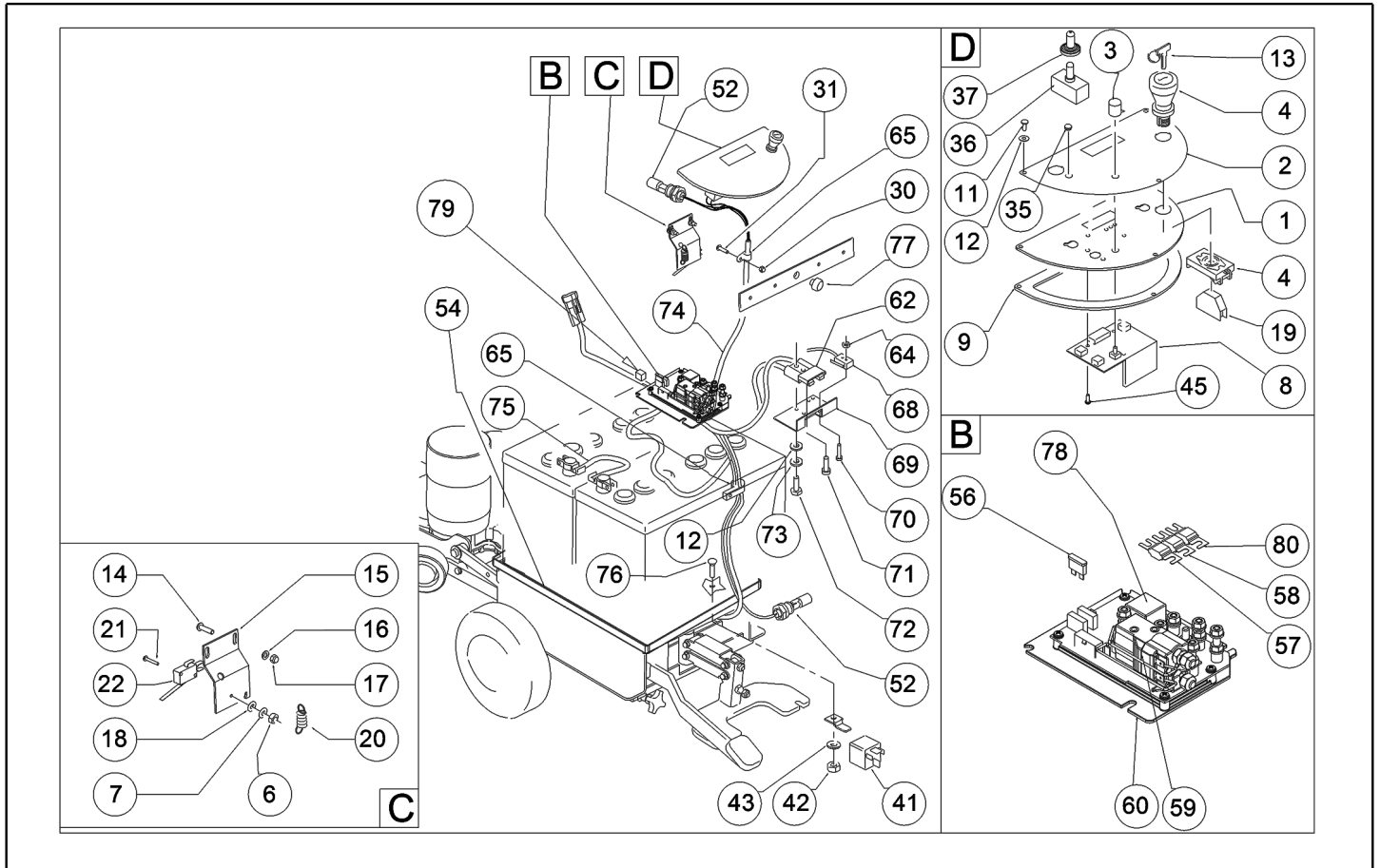
Ref. K	Part n.	Part n. 2	Description	Quantity	Validity		Price
					From	To	
0001	MPVR04051		TANK CAP	1,00			--
0002	MPVR49942		LEVER SQUEEGEE LIFTING PP	1,00			--
0003	VTDD01694		NUT M6 INOX	4,00			--
0004	TBFX00348		TUBE CT40-70-90 HOSE DRAIN	1,00		02/04/2013	--
0004	TBFX00358		TUBE PU CT40/70/90	1,00	03/04/2013		--
0005	LAFN05865		PLATE COPRILEVA CONSENSO	1,00			--
0006	VTRS15908		WASHER D. 5 INX GRW UNI 1751	2,00			--
0007	MPVR46988		CLIP FIXATION DRAIN HOSE	1,00			--
0008	VTVT07725		SCREW TE 5X16 UNI5739 INX	4,00			--
0009	VTVT15906		SCREW TE 6X 12 A2 UNI 5739	2,00			--
0010	VTVT15143		SCREW TE 6X16 UNI5739	3,00			--
0012	LAFN03626		SPACER	1,00			--
0013	CMCV00361		CABLE CABLE LIFTING SQUEEGEE HD 460mm	1,00			--
0013	CMCV00464		CABLE CABLE LIFTING SQUEEGEE HD 515mm	1,00			--
0014	LAFN06490		HANDLE	1,00			--
0015	MLML00203		SPRING	1,00			--
0016	VTRS00251		WASHER 4-16 INOX A2	1,00			--
0017	VTVT00800		SCREW TC 4X12 ZN	1,00			--
0018	VTVT21096		SCREW TE M 4X 10 INX	2,00			--
0019	LAFN05870		BRACKET SQUEEGEE LIFTING	1,00			--
0021	VTRS13947		WASHER D. 8 INX UNI 6592	2,00			--
0022	LAFN05861		LEVER CONSENSO SPAZZOLE	1,00		15/06/2014	--
0022	LAFN09339		LEVER HANDLE ACTIVATION	1,00	16/06/2014		--
0026	GUGO00263		GASKET SEAL CAP REC. TANK	1,00			--
0027	FTDP00133		FILTER VACUUM MOTOR	1,00			--
0031	MPVR07074		PLATE -	1,00			--
0032	VTVT00814		SCREW TE M.4-25	2,00			--
0033	VTRS00515		WASHER D. 4 INX	2,00			--
0034	VTRS00274		WASHER NYLON 66 D.8,4-17-2 UNI	4,00			--
0035	GUGO00417		GASKET SCATOLA ASPIRAZIONE	1,00			--
0036	MPVR05482		BOX -	1,00			--
0037	VTDD15925		NUT M 4 INX+ZN	2,00			--
0038	GUGO00418		GASKET CONDOTTO ASPIRAZIONE	1,00			--
0040	GUGO00245		GASKET	2,00			--
0042	FSVR43136		CLAMP D. 35-40 DF.	1,00			--
0046	KTRI04696		KIT REPLACEMENT TBFX00353	1,00			--
0047	VTDD01693		NUT M 5 INX	2,00			--
0048	VTRS00516		WASHER D. 5 INX	4,00			--
0049	VTVR01038		WASHER -	1,00			--
0050	MPVR05596		PROTECTION -	1,00			--
0051	VTVT01150		SCREW 4x10	1,00			--
0052	VTVT07726		SCREW TE 5X20	2,00			--
0053	LAFN07631		BRACKET -	1,00			--
0054	FSVR00248		CLAMP -	1,00			--



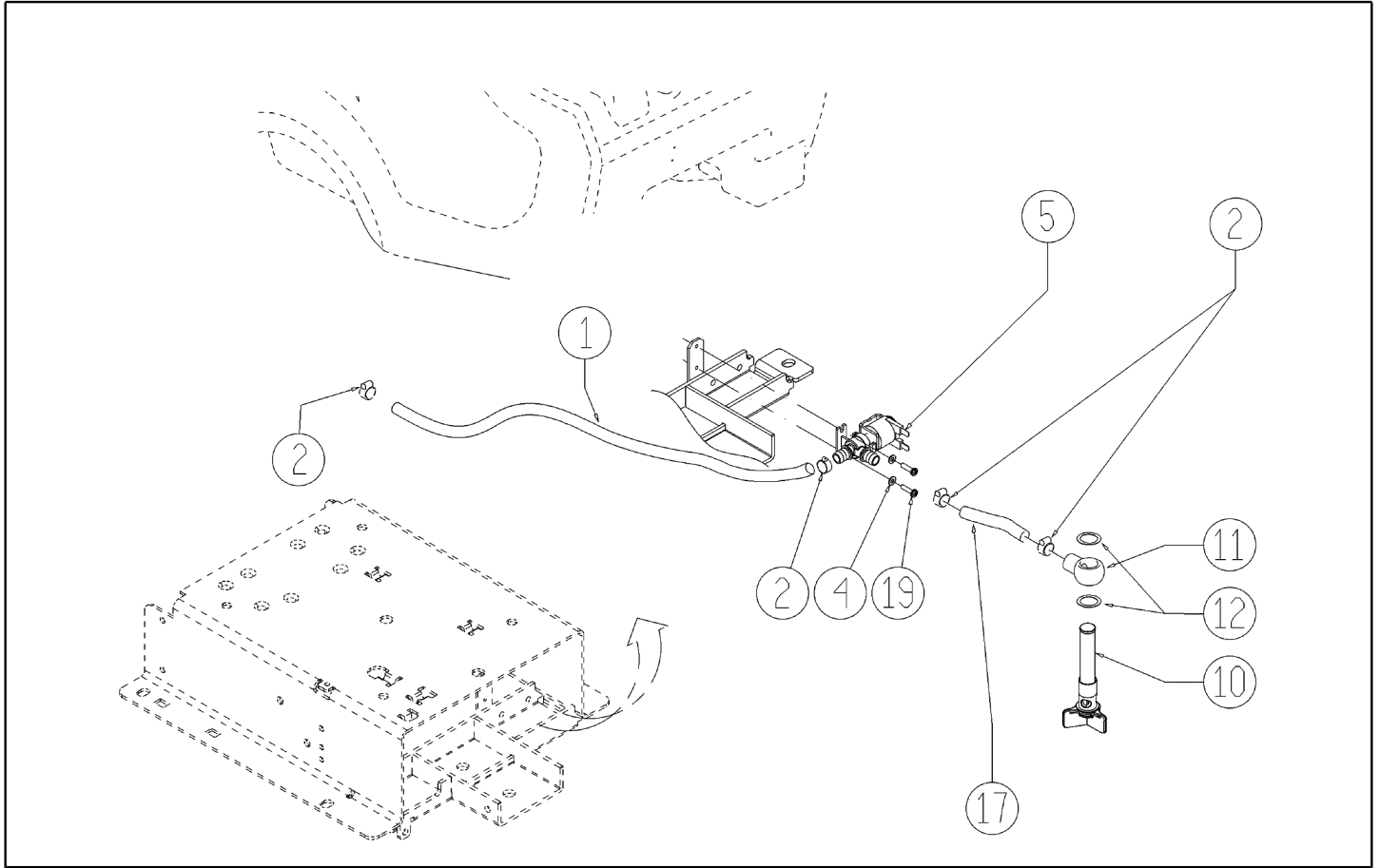
Ref. K	Part n.	Part n. 2	Description	Quantity	Validity		Price
					From	To	
0001	GUGO00267		GASKET SOLUTION TANK FILTER	1,00			--
0002	FTAC48857		FILTER SOLUTION TANK INLET	1,00			--
0003	LAFN07800		SHEET METAL PA. -	2,00			--
0004	MPVR48695		PIN SHK.BK	2,00		10/09/2014	--
0004	MPVR06407		PIN -	2,00	11/09/2014		--
0006	MPVR08003		CAP	1,00		30/11/2016	--
0006	MPVR10774		CAP 1/2"	1,00	01/12/2016		--
0007	VTRS15144		WASHER D. 6 INX GRW UNI 1751	1,00			--
0008	VTVT01303		SCREW TE M6-10 INOX	1,00			--
0009	LAFN06489		PLATE	1,00			--
0010	VTVR48693		INSERT FILETTATO M6	1,00			--
0012	VTRS13945		WASHER D. 6X18 INX UNI 6593	2,00			--
0013	VTRS15144		WASHER D. 6 INX GRW UNI 1751	2,00			--
0014	VTVT15143		SCREW TE 6X16 UNI5739	2,00			--
0015	FSVR00099		CLAMP FERMATUBO	2,00			--
0016	VTRS00515		WASHER D. 4 INX	2,00			--
0017	VTVT48694		SCREW TCB TC 5 X12 UNI 9707 TZ	2,00		10/09/2014	--
0018	VTVT37012		SCREW M 4X 10 TCB-TC INX	2,00			--
0019	VTVT15961		SCREW M 5X 16 TCB TC UNI 7687	1,00			--
0020	PMVR02028		RUBBER GRUPPO MONTAGGIO	2,00			--
0028	MPVR51085		FLAP POSTER.TERGI 950 MAGG.	1,00			--
0029	VTVT15916		SCREW TE M 8X 16 UNI 5739 A2	4,00			--
0030	VTRS13947		WASHER D. 8 INX UNI 6592	4,00			--
0031	VTRS00269		WASHER D. 8 DIN 6798-A INX A2	4,00			--



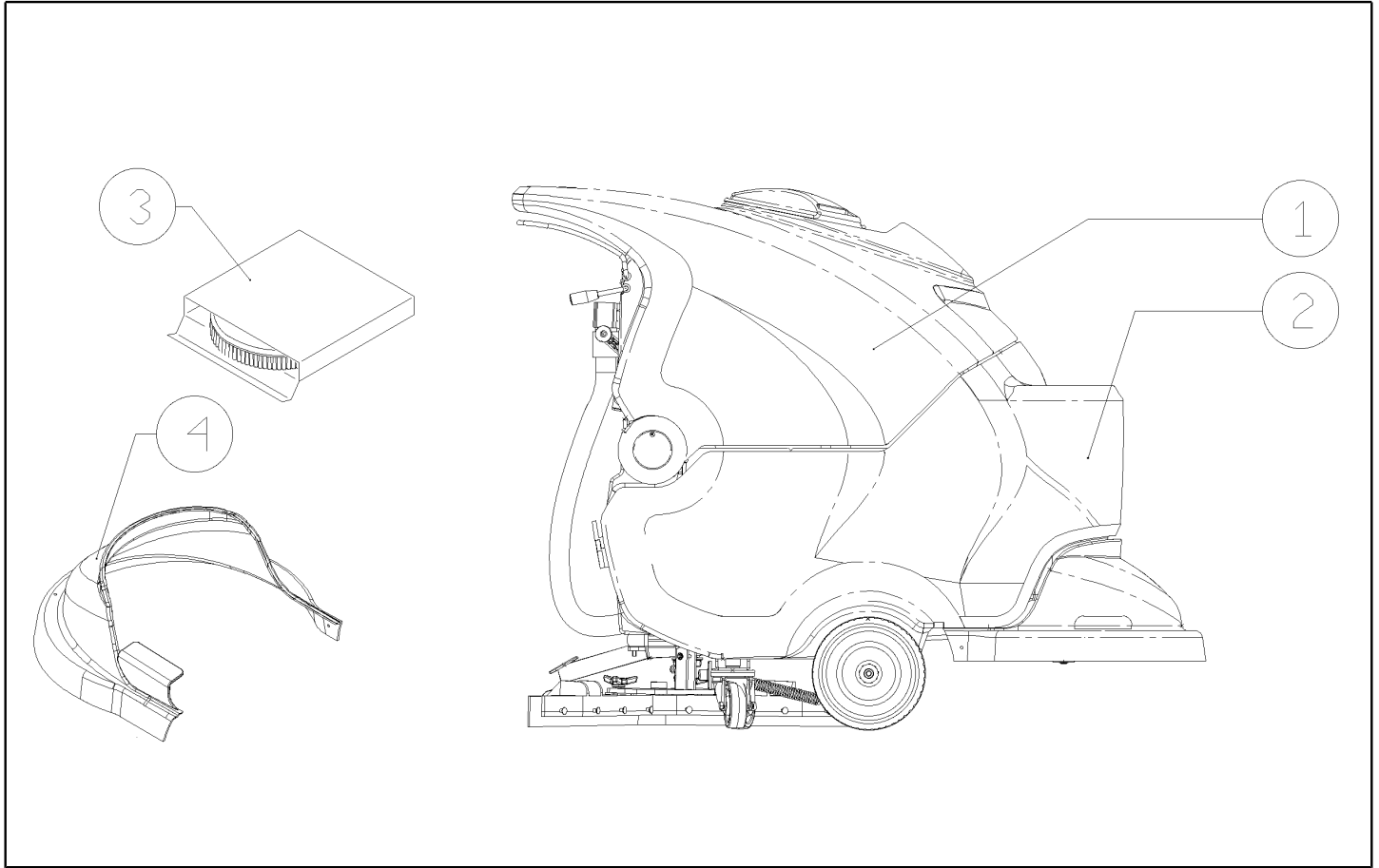
Ref. K	Part n.	Part n. 2	Description	Quantity	Validity		Price
					From	To	
000D	MECE00585		BOARD CT70 2013	1,00			--
0001	LAFN08989		SUPPORT -	1,00			--
0002	ETET01717		LABEL -	1,00			--
0003	MEVR01666		KNOB POTENTIOMETER	1,00			--
0004	MECI00402		SWITCH KEY + EMERGENCY	1,00			--
0006	VTDD21115		NUT M 3 INOX	5,00			--
0007	VTRS00268		WASHER D.3	5,00			--
0008	MECE00474		BOARD CT70 EV	1,00		10/04/2013	--
0008	MECB01329		BOARD BT CT70 H2O - NEW	1,00	11/04/2013		--
0009	GUGO38417		GASKET PANN.COM.EXTREME	1,00			--
0011	VTVT37012		SCREW M 4X 10 TCB-TC INX	3,00			--
0012	VTRS00515		WASHER D. 4 INX	10,00			--
0013	CHVR00051		KEYS SET SPARE SCRUBBERS W.B.	1,00			--
0014	VTVT07725		SCREW TE 5X16 UNI5739 INX	2,00			--
0015	LAFN05904		PLATE MICRO LEVA	1,00			--
0016	VTRS00516		WASHER D. 5 INX	2,00			--
0017	VTDD01693		NUT M 5 INX	6,00			--
0018	VTRS21116		WASHER D. 3 INX	2,00			--
0019	MECI00403		CONTACT -	1,00			--
0020	MLML34726		SPRING TR E350 N	1,00		09/07/2014	--
0020	MLML00203		SPRING	1,00	10/07/2014		--
0021	VTVT01316		SCREW TC+ M3-16	2,00			--
0022	MECI36393		MICROSWITCH TRZ. DRW	1,00			--
0030	VTDD15925		NUT M 4 INX+ZN	1,00			--
0031	VTVT00704		SCREW TE M 4X 16 UNI5739 INOX	5,00			--
0035	RCVR00164			1,00			--
0036	MECI30499		SWITCH 10A - 250VAC	1,00			--
0037	MEVR01975		RUBBER DEVIATORE	1,00			--
0041	MECI00005		RELAY 24V 10/20A	1,00			--
0042	VTDD01694		NUT M6 INOX	1,00			--
0043	VTRS00245		WASHER D.6 UNI 6592 INOX	1,00			--
0045	VTVT00722		SCREW	3,00			--
0052	MECI00516		SENSOR FLOAT WATER TANK	2,00			--
0054	LAFN35588		BATTERY SUPPORT CT LINE	1,00			--
0056	MEVR01428		FUSE A LAMA 2 A. UNIVAL	1,00			--
0057	MEVR02061		FUSE 80A	1,00		31/12/2015	--
0057	MEVR02105		FUSE 50A OMEGA FT3050	1,00	01/01/2016		--
0058	MEVR02060		FUSE 40A	1,00			--
0059	METT00085		CONTACTOR 100A	1,00			--
0060	MECE00574		BOARD RELAY CT40-70-90 B-BT	1,00			--
0062	MEVR01079		PLUG M CB50 A 600V RD.	1,00			--
0064	VTDD08634		NUT M2	2,00			--
0065	FSVR00099		CLAMP FERMATUBO	2,00			--
0068	MECI00334		MICROSWITCH CHARGING PLUG	1,00			--



Ref. K	Part n.	Part n. 2	Description	Quantity	Validity		Price
					From	To	
0069	LAFN06409		SUPPORT -	1,00			--
0070	VTVT00671		SCREW TC- M.2-16 OTTONE	2,00			--
0071	VTVT00872		SCREW TSP+ 2.9X13 AUTOFIL. INOX	1,00			--
0072	VTVT00814		SCREW TE M.4-25	2,00			--
0073	VTRS15913		WASHER D. 4 GROVER A2 UNI1751	2,00			--
0074	MECB01302		WIRING CT40-70 BT	1,00		10/04/2013	--
0074	MECB01334		WIRING CT40-55-70 BT	1,00	11/04/2013		--
0075	MEVR34820		WIRING BATTERY BRIDGE W/TERMINAL	1,00			--
0076	VTVT01676		SCREW TSTC UNI 7688 M6X16	1,00			--
0077	MPVR00043		CAP CHIUS.FORO PORTAFUS.L 15	1,00			--
0078	MECE00139		RELAY 24V 70A	1,00			--
0079	GUGO00460		MOUSSE 20x15x18	1,00	20/05/2015		--
0080	MEVR02104		FUSE 30A OMEGA FT3030	1,00			--

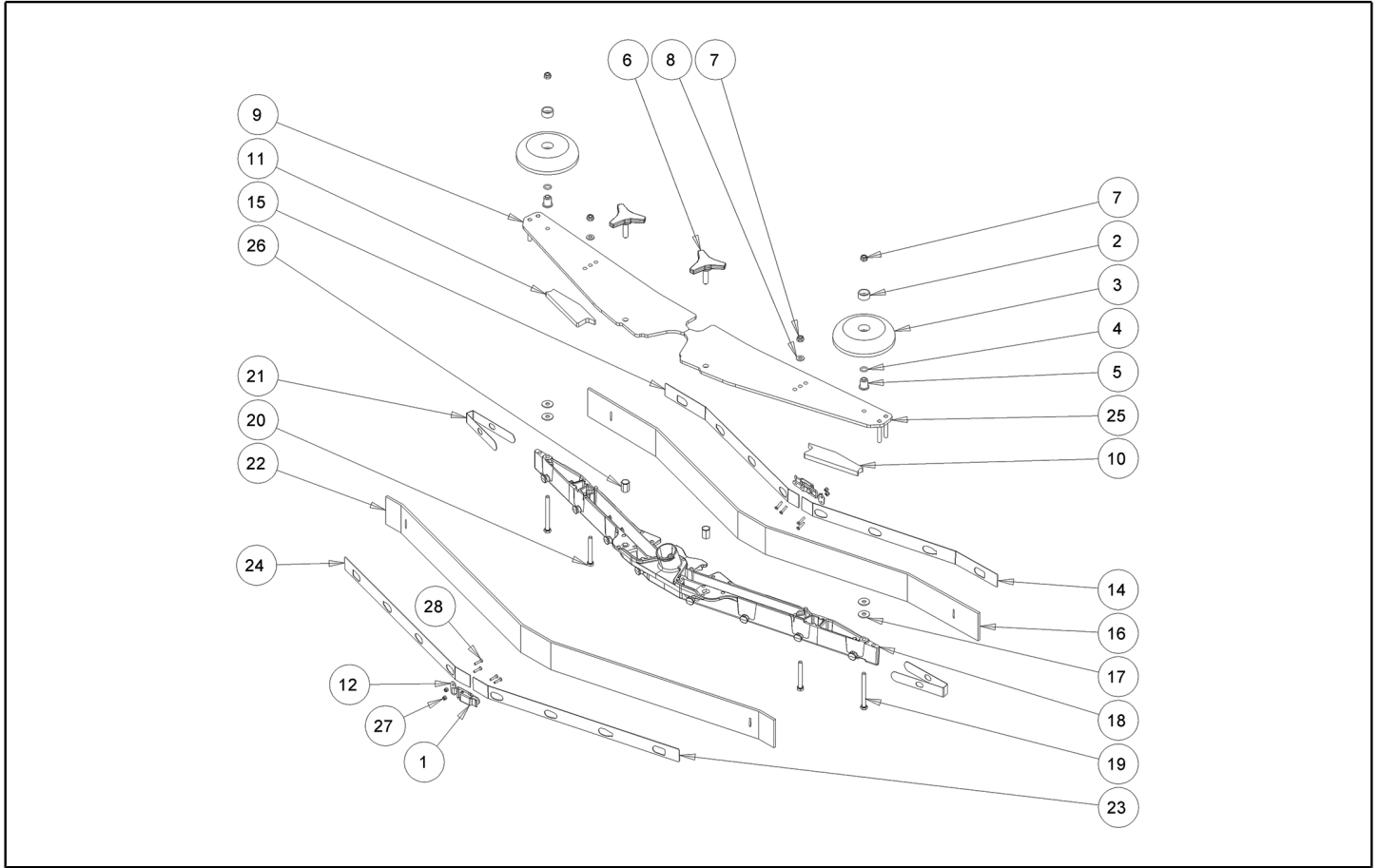


Ref. K	Part n.	Part n. 2	Description	Quantity	Validity		Price
					From	To	
0001	TBFX48011		TUBE FLEX D.12X3 ARMORV.PVC TR	0,71			--
0002	FSVR00428		CLAMP D. 12-20	4,00			--
0004	VTRS00515		WASHER D. 4 INX	2,00			--
0005	MEEV00036		SOLENOID VALVE HOLE 8mm CLEANTIME	1,00			--
0010	MPVR05221		FILTER COMPLETO	1,00		14/02/2013	--
0010	MPVR06303		FILTER CT40-70-90	1,00	15/02/2013		--
0011	LAFN07783		CONNECTOR -	1,00			--
0012	VTRS00567		WASHER 1/2	2,00			--
0017	TBFX48011		TUBE FLEX D.12X3 ARMORV.PVC TR	0,17			--
0019	VTVT01158		SCREW M4x16	2,00			--

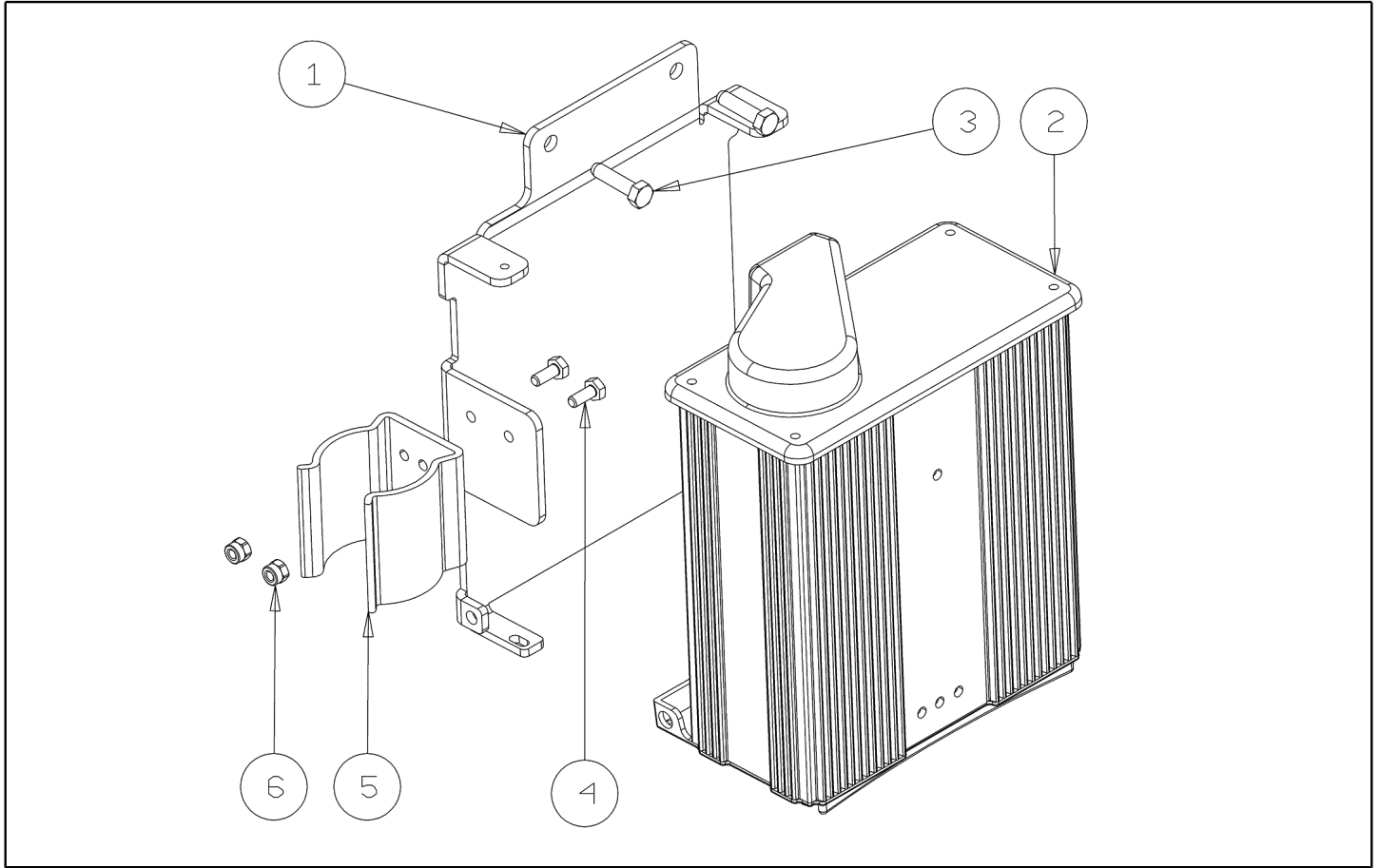


Ref. K	Part n.	Part n. 2	Description	Quantity	Validity		Price
					From	To	
0001	MPVR07066		TANK RECOVERY CT40 PANTONE 368	1,00			--
0002	MPVR05090		TANK SOLUTION RAL7024	1,00			--
0003	SPPV43963		BRUSH NYL 0,8 500	1,00			--
0004	MPVR04722		BRUSH PROTECT. 55	1,00			--

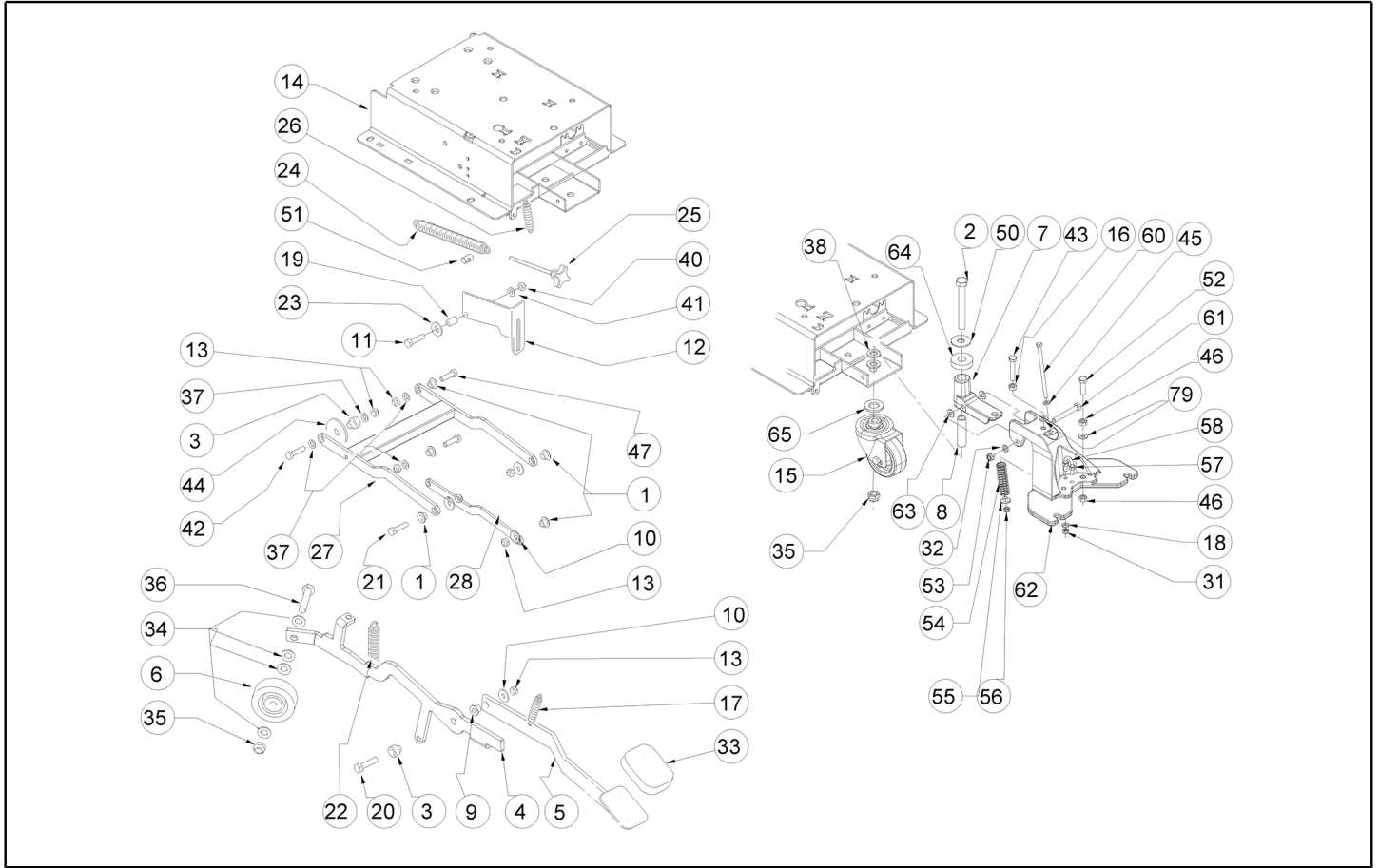




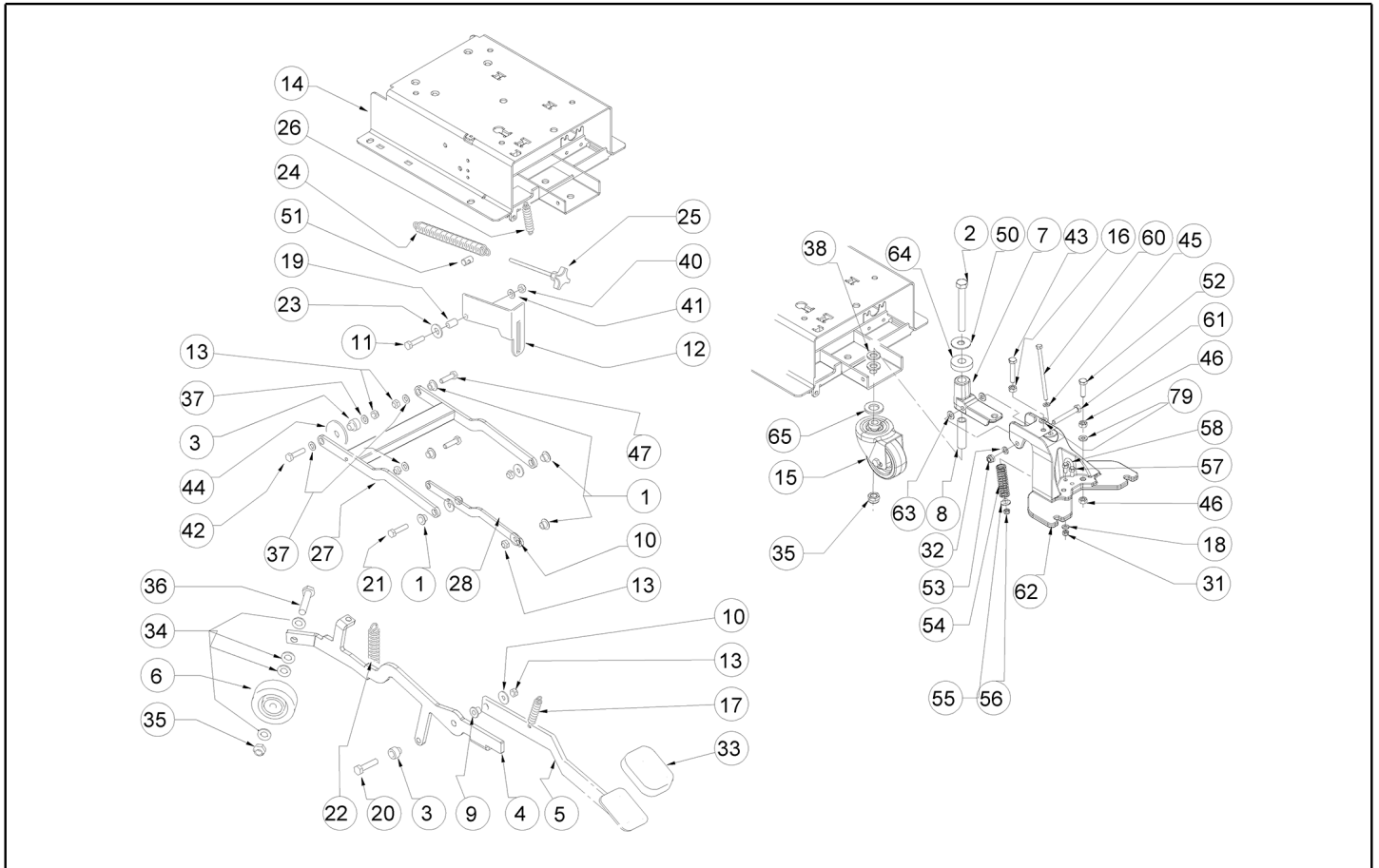
Ref. K	Part n.	Part n. 2	Description	Quantity	Validity		Price
					From	To	
0001	LAFN09302		CLOSURE -	2,00	26/09/2013		--
0002	MPVR49229		BUSHING SHK	2,00			--
0003	MPVR05290		ROLLER SIDE BUMPER WHEEL	2,00			--
0004	GUGO00164		GASKET	2,00			--
0005	LAFN04100		SPACER FOR BUMPER WHEEL	2,00			--
0006	MPVR06003		KNOB AISI 304	2,00		05/03/2013	--
0006	MPVR06004		KNOB AISI 304	2,00	06/03/2013		--
0008	VTRS00245		WASHER D.6 UNI 6592 INOX	2,00			--
0009	LAFN09012		PLATE -	1,00			--
0010	GUVR00301		GASKET -	1,00			--
0011	GUVR00300		GASKET -	1,00			--
0012	LAFN09301		SOCKET -	2,00	26/09/2013		--
0014	LAFN08948		BRACKET -	1,00		25/09/2013	--
0014	LAFN09279		BLADE HOLDER S SIZE ANT. RIGHT	1,00	26/09/2013		--
0015	LAFN08949		BRACKET -	1,00		25/09/2013	--
0015	LAFN09280		SHEET METAL PA. -	1,00	26/09/2013		--
0016	MPVR08039		BLADE S LATEX	1,00			--
0017	VTRS13945		WASHER D. 6X18 INX UNI 6593	4,00			--
0018	KTRI02048		BODY SQUEEGEE PRESSOFUSO "S"	1,00			--
0019	VTVT00841		SCREW TE M 6X65 UNI 5739 INX	2,00			--
0020	VTVT15515		SCREW TE M 6X 50 INOX A2	2,00			--
0021	MPVR05897		CLOSURE S	2,00			--
0022	MPVR08035		BLADE S LATEX	1,00			--
0023	LAFN08950		BRACKET -	1,00		25/09/2013	--
0023	LAFN09281		SHEET METAL PA. -	1,00	26/09/2013		--
0024	LAFN08951		BRACKET -	1,00		25/09/2013	--
0024	LAFN09283		BLADE HOLDER S SIZE POST. LEFT	1,00	26/09/2013		--
0025	LAFN09013		PLATE -	1,00			--
0026	VTVR00565		INSERT -	2,00			--
0027	VTDD00210		NUT M 3 AUTOBL.DIN 985 IX.A2	8,00	26/09/2013		--
0028	VTVT01070		SCREW TSTC M3X8	8,00	26/09/2013		--



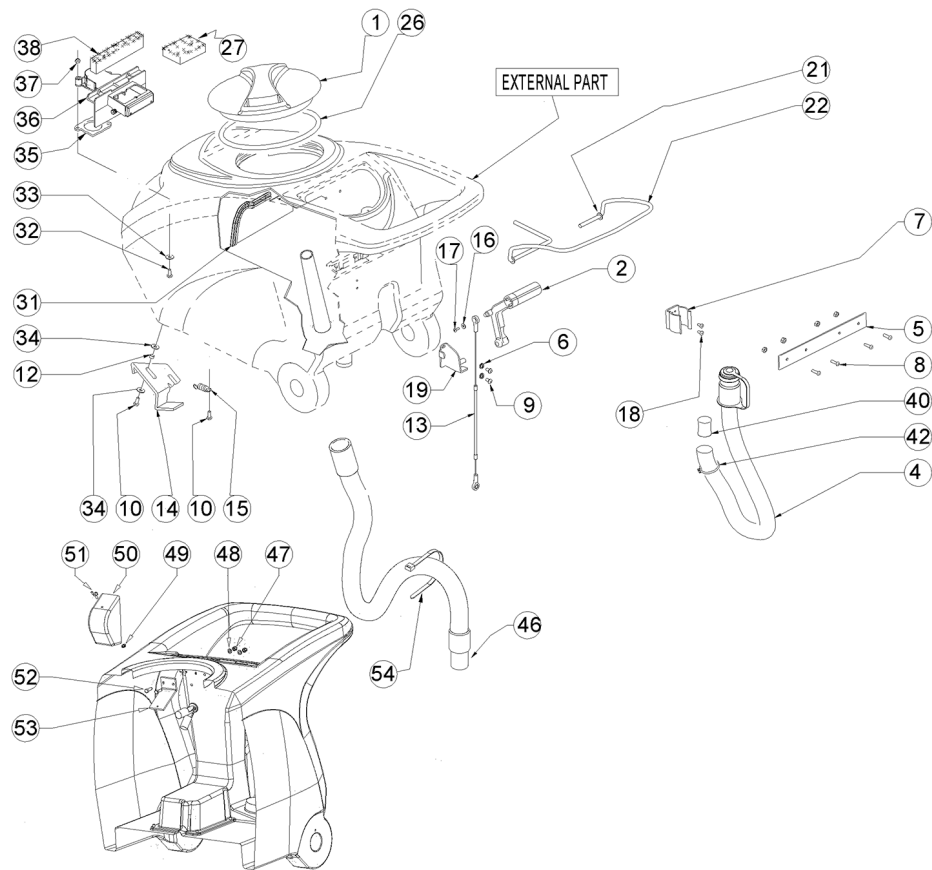
Ref. K	Part n.	Part n. 2	Description	Quantity	Validity		Price
					From	To	
0001	LAFN07333		BRACKET -	1,00			--
0002	BACA00169		BATTERY-CHARGER CBHD1 24V 10A 100/240V	1,00			--
0003	VTVT07726		SCREW TE 5X20	2,00			--
0004	VTVT21096		SCREW TE M 4X 10 INX	2,00			--
0005	MPVR46988		CLIP FIXATION DRAIN HOSE	1,00			--
0006	VTDD00055		NUT M 4 ATB A2	2,00			--



Ref. K	Part n.	Part n. 2	Description	Quantity	Validity		Price
					From	To	
0001	LAFN06391		BUSHING BRUSH DECK SUPPORT	5,00			--
0002	VTVT00285		SCREW TE M12X110	1,00			--
0003	LAFN04190		BUSHING PARALLELOGR.TEST.GR.	2,00			--
0004	LAFN07872		LEVER -	1,00			--
0005	LAFN09270		PEDAL BRUSH HEAD LIFTING	1,00			--
0006	RTRT49171		CASTER D. 80-12	1,00			--
0007	MFVR00226		SUPPORT SQUEEGEE	1,00			--
0008	LAFN09006		PIN -	1,00			--
0009	LAFN51068		BUSHING LEVA POSTER.	1,00			--
0010	VTRS13946		WASHER D. 8 X24 INX UNI 6593	4,00			--
0011	VTVT00161		SCREW TE M6X20	1,00			--
0012	LAFN10124		PLATE	1,00			--
0013	VTDD01695		NUT M 8 INX	7,00			--
0014	LAFN07293		BASE SERBATOIO	1,00			--
0015	RTRT00276		SMALL WHEEL GIREVOLE PER SPAZZANTE	1,00		15/03/2017	--
0015	RTRT00518		WHEEL CASTOR D.80X30	1,00	16/03/2017		--
0016	VTDD15521		NUT M 8 INX A2 UNI 5588	1,00			--
0017	MLML34726		SPRING TR E350 N	1,00			--
0018	VTRS00245		WASHER D.6 UNI 6592 INOX	2,00			--
0019	LAFN03840		BUSHING	1,00			--
0020	VTVT15917		SCREW TE M 8X50 INOX A2 UNI	1,00			--
0021	VTVT15907		SCREW TE 8X25 UNI5739 INX	3,00			--
0022	MLML00313		SPRING -	1,00			--
0023	VTRS00274		WASHER NYLON 66 D.8,4-17-2 UNI	1,00			--
0024	MLML31130		SPRING D. 17.5 X110 N38	1,00			--
0025	VTVR35749		HANDWHEEL M 6MAX110 D.35	1,00			--
0026	MLML00303		SPRING L=54,1 D.=9,4	1,00			--
0027	LAFN06388		ARM TESTATA SUPERIORE	1,00			--
0028	LAFN06389		ARM PARALLELOGRAMMA	1,00			--
0031	VTDD01694		NUT M6 INOX	2,00			--
0032	VTRS13947		WASHER D. 8 INX UNI 6592	1,00			--
0033	MPVR05186		COVER -	1,00			--
0034	VTRS15978		WASHER D.12X24 UNI 6592 INX	4,00			--
0035	VTDD00176		NUT M.12 INOX A2 BASSO AUTOB.	3,00			--
0036	VTVT00836		SCREW TE M12-60 INOX	1,00			--
0037	VTRS13947		WASHER D. 8 INX UNI 6592	4,00			--
0038	VTRS15978		WASHER D.12X24 UNI 6592 INX	2,00			--
0040	VTDD01694		NUT M6 INOX	5,00			--
0041	VTRS00245		WASHER D.6 UNI 6592 INOX	1,00			--
0042	VTVT00410		SCREW TE M8x35 UNI5739 INOX	1,00			--
0043	VTVT15371		SCREW TE M 8X45 INOX A2 UNI	1,00			--
0044	MPVR05134		GASKET D.60 FORO D.12 SP.2	1,00			--
0045	VTRS00245		WASHER D.6 UNI 6592 INOX	1,00			--
0046	VTDD15521		NUT M 8 INX A2 UNI 5588	2,00			--



Ref. K	Part n.	Part n. 2	Description	Quantity	Validity		Price
					From	To	
0047	VTVT13937		SCREW TE M 8X 30 INX UNI 5739	2,00			--
0050	VTRS09142		WASHER UNI 6593 12X36X2,5	1,00			--
0051	LAFN35747		SPRING SUPPORT LAV. E/B 450	1,00			--
0052	VTVT13937		SCREW TE M 8X 30 INX UNI 5739	1,00			--
0053	VTDD01695		NUT M 8 INX	1,00			--
0054	MLML00338		SPRING -	1,00			--
0055	VTRS13945		WASHER D. 6X18 INX UNI 6593	1,00		27/03/2018	--
0055	LAFN06391		BUSHING BRUSH DECK SUPPORT	1,00	28/03/2018		--
0056	VTDD01694		NUT M6 INOX	1,00			--
0057	VTDD00053		NUT M6 INOX UNI5589	2,00			--
0058	LAFN09231		BRACKET M6X11X29	1,00			--
0060	VTVT01008		SCREW 6X110	1,00			--
0061	VTVT01009		SCREW 8X60	1,00			--
0062	MFVR00227		SUPPORT SQUEEGEE	1,00			--
0063	VTRS00274		WASHER NYLON 66 D.8,4-17-2 UNI	2,00			--
0064	MPVR06069		WASHER 15X40	1,00			--
0065	VTRS09142		WASHER UNI 6593 12X36X2,5	1,00			--
0079	VTRS15146		WASHER GROVER A2 UNI1751	1,00			--



Ref. K	Part n.	Part n. 2	Description	Quantity	Validity		Price
					From	To	
0001	MPVR04051		TANK CAP	1,00			--
0002	MPVR49942		LEVER SQUEEGEE LIFTING PP	1,00			--
0003	VTDD01694		NUT M6 INOX	4,00			--
0004	TBFX00348		TUBE CT40-70-90 HOSE DRAIN	1,00		02/04/2013	--
0004	TBFX00358		TUBE PU CT40/70/90	1,00	03/04/2013		--
0005	LAFN05865		PLATE COPRILEVA CONSENSO	1,00			--
0006	VTRS15908		WASHER D. 5 INX GRW UNI 1751	2,00			--
0007	MPVR46988		CLIP FIXATION DRAIN HOSE	1,00			--
0008	VTVT07725		SCREW TE 5X16 UNI5739 INX	4,00			--
0009	VTVT15906		SCREW TE 6X 12 A2 UNI 5739	2,00			--
0010	VTVT15143		SCREW TE 6X16 UNI5739	3,00			--
0012	LAFN03626		SPACER	1,00			--
0013	CMCV00464		CABLE SOLLEVAMENTO TERGI	1,00			--
0014	LAFN06490		HANDLE	1,00			--
0015	MLML00203		SPRING	1,00			--
0016	VTRS00251		WASHER 4-16 INOX A2	1,00			--
0017	VTVT00800		SCREW TC 4X12 ZN	1,00			--
0018	VTVT21096		SCREW TE M 4X 10 INX	2,00			--
0019	LAFN05870		BRACKET SQUEEGEE LIFTING	1,00			--
0021	VTRS13947		WASHER D. 8 INX UNI 6592	2,00			--
0022	LAFN05861		LEVER CONSENSO SPAZZOLE	1,00		15/06/2014	--
0022	LAFN09339		LEVER HANDLE ACTIVATION	1,00	16/06/2014		--
0026	GUGO00263		GASKET SEAL CAP REC. TANK	1,00			--
0027	FTDP00133		FILTER VACUUM MOTOR	1,00			--
0031	MPVR07074		PLATE -	1,00			--
0032	VTVT00814		SCREW TE M.4-25	2,00			--
0033	VTRS00515		WASHER D. 4 INX	2,00			--
0034	VTRS00274		WASHER NYLON 66 D.8,4-17-2 UNI	4,00			--
0035	GUGO00417		GASKET SCATOLA ASPIRAZIONE	1,00			--
0036	MPVR05482		BOX -	1,00			--
0037	VTDD15925		NUT M 4 INX+ZN	2,00			--
0038	GUGO00418		GASKET CONDOTTO ASPIRAZIONE	1,00			--
0040	GUGO00245		GASKET	2,00			--
0042	FSVR43136		CLAMP D. 35-40 DF.	1,00			--
0046	KTRI04696		KIT REPLACEMENT TBFX00353	1,00			--
0047	VTDD01693		NUT M 5 INX	2,00			--
0048	VTRS00516		WASHER D. 5 INX	4,00			--
0049	VTVR01038		WASHER -	1,00			--
0050	MPVR05596		PROTECTION -	1,00			--
0051	VTVT01150		SCREW 4x10	1,00			--
0052	VTVT07726		SCREW TE 5X20	2,00			--
0053	LAFN07631		BRACKET -	1,00			--
0054	FSVR00248		CLAMP -	1,00			--