



IPC

Spare parts list

Ref: ASDO11226

Cust.ref: 429/12SUB SPEC

Model: TOPPER 429CB W/RANGER PUMP W/ACC.

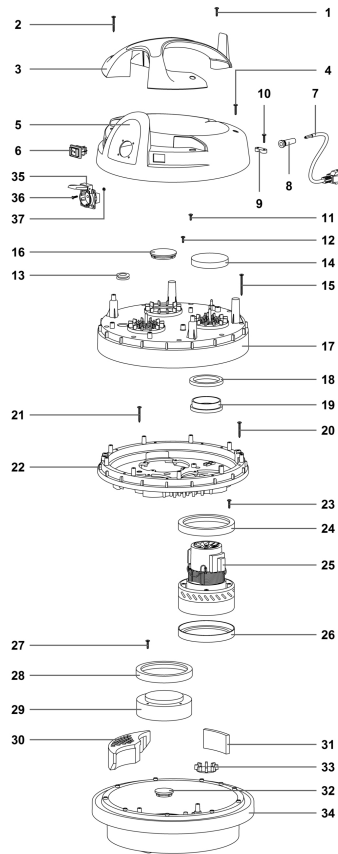
Cust.model: 131780



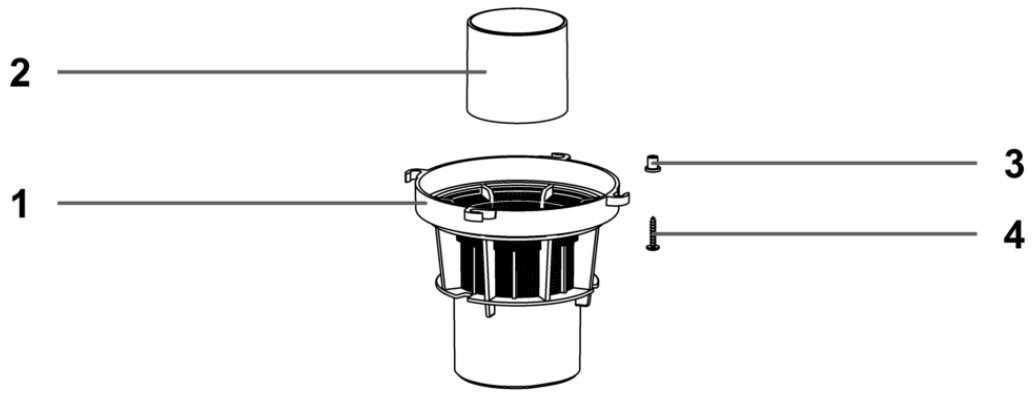
IPC Integrated Professional Cleaning

IPC Soteco

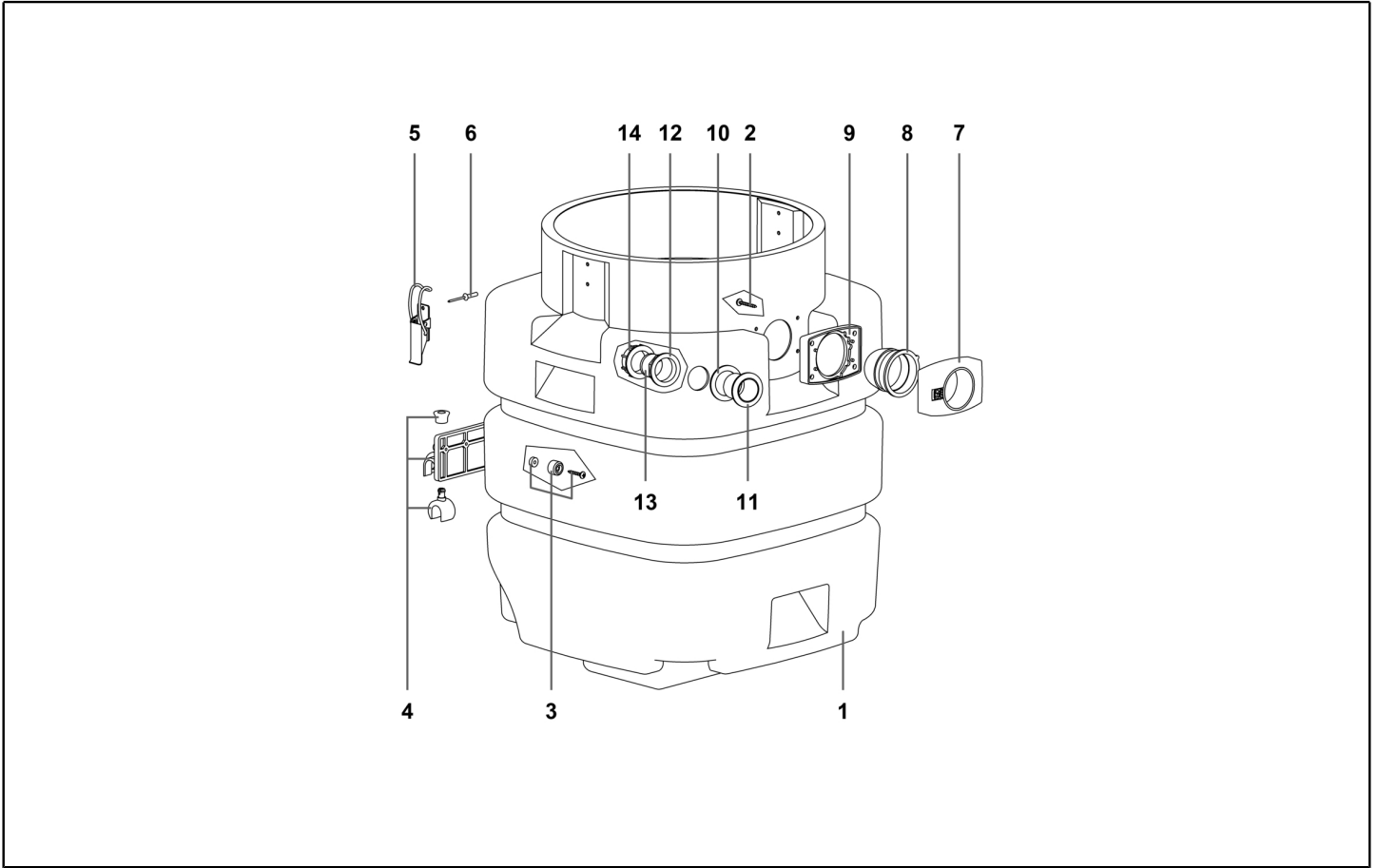
Ref. K	Part n.	Part n. 2	Description	Quantity	Validity		Price
					From	To	
0001	PMTA01447		TOPPER HEAD 429 2ST RAD+ADD.SOCK SK	1,00			--
0002	KTRI49345		ANTI FOAM KIT 300/500/400/600	1,00			--
0003	PMFU00931		TANK 400/SB D60 SUB RANGER IPC COM	1,00			--
0004	PPBP00098		SUMP PUMP RANGER TUBE L=140 COM	1,00			--
0005	KTRI75217		TROLLEY COMPLETE TIPPING TROLLEY	1,00			--
0006	PMDT00573			1,00			--



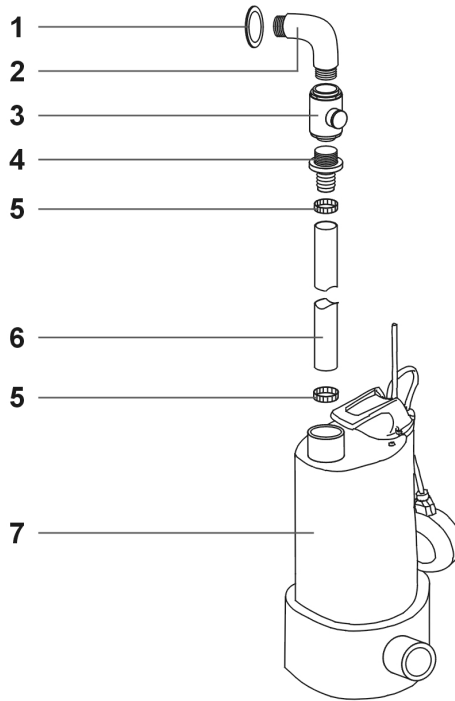
Ref. K	Part n.	Part n. 2	Description	Quantity	Validity		Price
					From	To	
*	PMQE00261		ELECTRIC KIT 600 2MOT. RAD +SCH	1,00			--
*	MECB01826		WIRING 50CM MOTORE POKE-IN-TP	2,00			--
*	FSVR00127		CLAMP	3,00			--
0001	VTVT71961		SCREW PFU TMT PHL 5X20 ZN NERA	1,00			--
0002	VTVT72106		SCREW PAT TMT PHL 5X40 BLACK	2,00			--
0003	MPVR08307		HANDLE TOPPER 600 GREEN IPC	1,00			--
0004	VTVT72055		SCREW PFU TMT PHL 5X25 ZN BLACK	2,00			--
0005	PMVR04805		COVER TOPPER 600 G6 2INT+PS.SK	1,00			--
0006	MECI28744		ANTISPLASH RED LIGHT SWITCHER	2,00			--
0007	MECB28740		ELECTRIC CORD 3X1,5 MT 8,5	1,00			--
0008	MEVR28673		FAIRLEAD	1,00			--
0009	MPVR28690		CABLE CLAMP	1,00			--
0010	VTVT71961		SCREW PFU TMT PHL 5X20 ZN NERA	1,00			--
0011	VTVT71960		SCREW SCREW PAT TMT PHL 5X14 ZN	2,00			--
0012	VTVT71960		SCREW SCREW PAT TMT PHL 5X14 ZN	1,00			--
0013	MEVR72017		GUIDING SLIT FOR QUICK COUPLING	1,00			--
0014	FTDP38064		FILTER MTP/65 H=15 D.95	2,00			--
0015	VTVT40007		SCREW PAT TMT PHL 5X55 BLACK	9,00			--
0016	MPVR38053		COVERING CAP	1,00			--
0017	MPVR08519		COVERING 600 GREEN IPC	1,00			--
0018	MPVR38371		WASHER H8 D85X65	2,00			--
0019	MPVR86282		RING MOTORE H=7 (15) PLAST.	2,00			--
0020	VTVT72106		SCREW PAT TMT PHL 5X40 BLACK	9,00			--
0021	VTVT72106		SCREW PAT TMT PHL 5X40 BLACK	3,00			--
0022	MPVR09336		MOTOR SUPPORT NEV. 600 GREY 6000	1,00			--
0023	VTVT71961		SCREW PFU TMT PHL 5X20 ZN NERA	8,00			--
0024	GUGO28683		"L" GASKET W/O HOLES H=5,5	2,00			--
0025	MOMO28716		MOT BD302 1000W 220-240V 50-60HZ	2,00			--
0026	GUGO28683		"L" GASKET W/O HOLES H=5,5	2,00			--
0027	VTVT71961		SCREW PFU TMT PHL 5X20 ZN NERA	4,00			--
0028	GUGO28683		"L" GASKET W/O HOLES H=5,5	1,00			--
0029	MPVR07346		FAKE MOTOR	1,00			--
0030	FTDP38057		ANTINOISE TRIANGLE H=51	3,00		03/05/2023	--
0030	FTDP00891		FILTER FONO TRIANGOLARE H=53	3,00	04/05/2023		--
0031	FTDP28745		GASKET MTP/30 AU-AD 50X10X85	3,00			--
0032	MPVR38058		BASE CAP	1,00			--
0033	MPVR28748		AUTOMATIC VALVE	2,00			--
0034	PMBA00608		BASE 600/400 G6 COMP	1,00			--
0035	MEVR38061		SCHUKO ADD.SOCKET W/PROTECTION	1,00			--
0036	VTVT01192		SCREW TSP CROSS M 4X12 UNI 7688	4,00			--
0037	VTDD00232		NUT M 4 UNI 5588	4,00		04/03/2021	--
0037	VTDD00242		NUT 4 M NYLON	4,00	05/03/2021		--



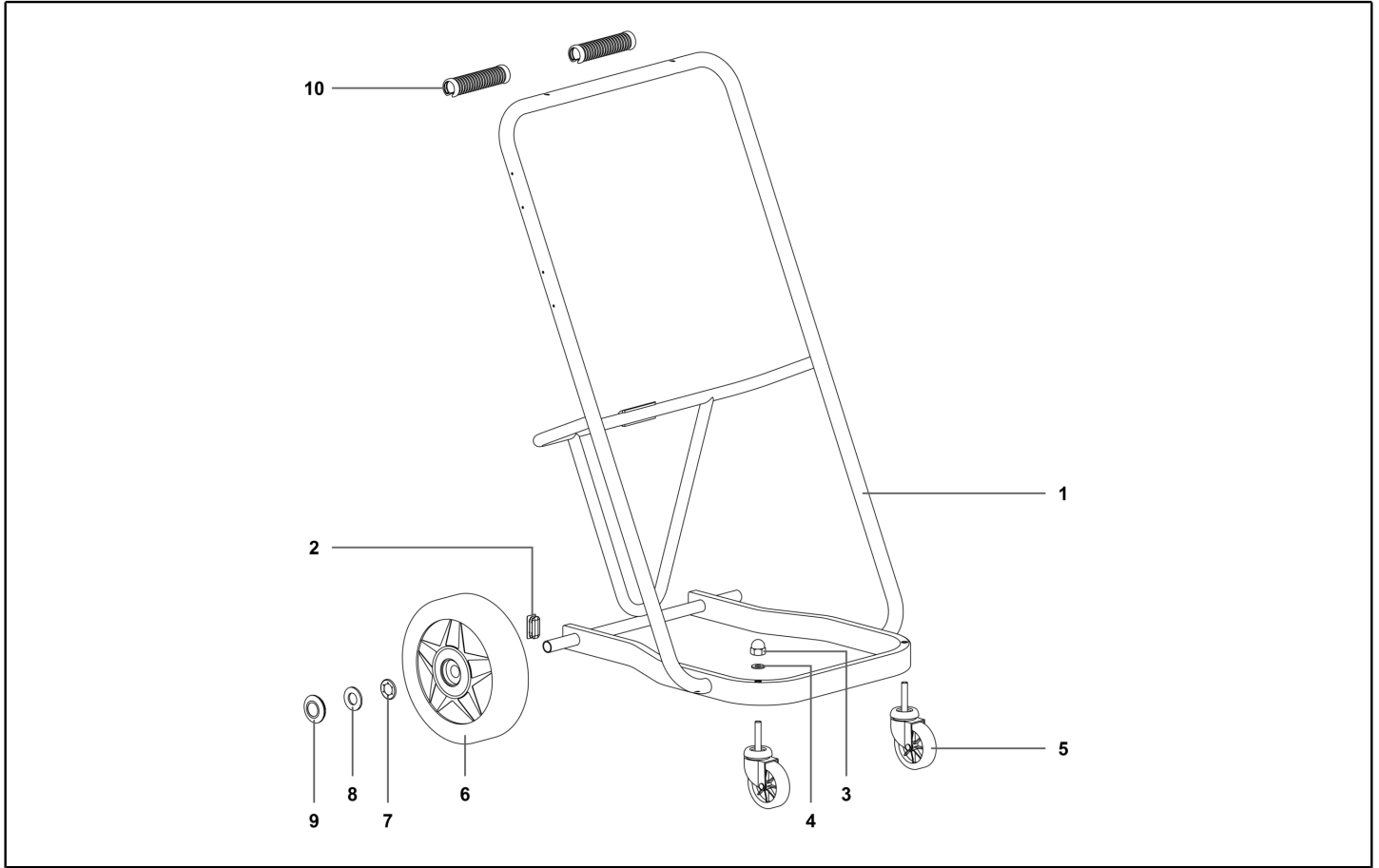
Ref. K	Part n.	Part n. 2	Description	Quantity	Validity		Price
					From	To	
0001	MPVR40521		NET ANTIFOAM BODY HIGH	1,00			--
0002	RCGR40008		HIGH FLOAT 99 W/GASKET 37 SHA	1,00			--
0003	MPVR35796		BUSHING PLASTIC SLEEVE D.8	4,00			--
0004	VTVT36751		SCREW SCREW PAT TMT PHL 5X25	4,00			--



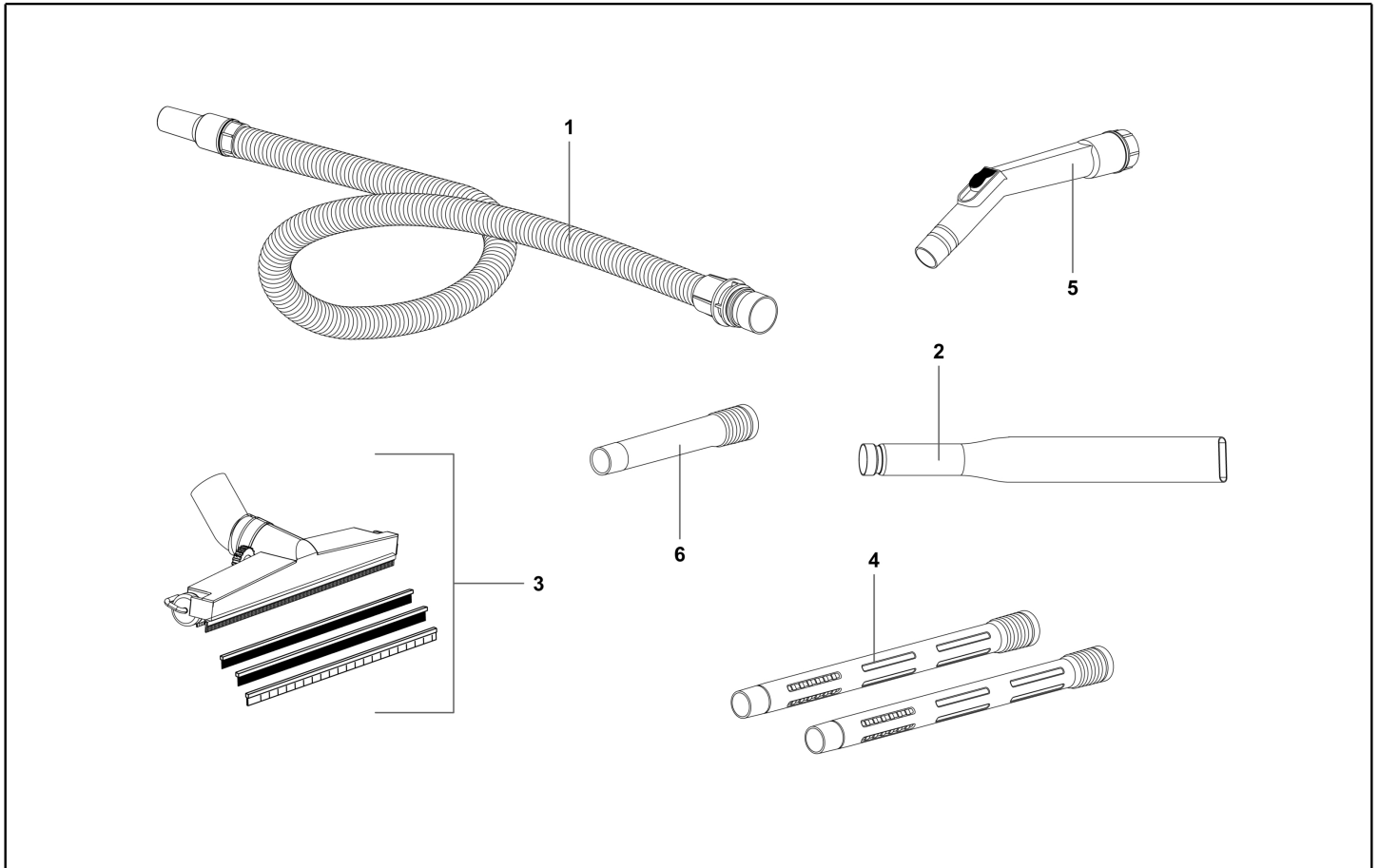
Ref. K	Part n.	Part n. 2	Description	Quantity	Validity		Price
					From	To	
0001	PMFU02645		TANK 400/SB G4 SUB RANGER FOR	1,00	06/12/2016		--
0002	VTVT71971		SCREW PAT TMT PHL 5X35 BLACK	4,00			--
0003	PMVR02551		COMPL SEAL JOI. C/VITE L=30	4,00			--
0004	VTVT71966		SCREW PAT TMT PHL 5X30 BLACK	1,00			--
0005	CHVR40000		UNIVERSAL METAL HOOK	2,00			--
0006	VTVR00340		RIVET 5X24,5	4,00			--
0007	MPVR09176		PIPE UNION 99/60 PLANE G6/GREE-IPC	1,00			--
0008	MPVR28696		DEFLECTOR 99	1,00			--
0009	MPVR08681		GASKET R 205 GREY 6000	1,00			--
0010	GUVR00385		GASKET 1 1/2"	2,00			--
0011	MPVR10134		PIPE UNION RIEMPIM. 1-1/2"	1,00			--
0012	MPVR05731		CONNECTION 1-1/2"	1,00			--
0013	MEVR01793		"SUB" FAIRLEAD	1,00			--
0014	MPVR06804		RING NUT 1-1/2"	1,00			--



Ref. K	Part n.	Part n. 2	Description	Quantity	Validity		Price
					From	To	
0001	GUVR00385		GASKET 1 1/2"	2,00			--
0002	RCVR00879		ELBOW BRA 90° 1-1/2" M-F	2,00			--
0003	VVAZ00010		VALVE 1-1/2"	1,00			--
0004	RCVR00878		HOSE FITTING 1-1/2"	3,00			--
0005	FSVR86722		HOSE CLAMP 48/68	2,00			--
0006	TBFX49539		FLEX HOSE ANTIABR.ANTISTAT.D.50P/MT	0,14			--
0007	PPBP00122		SUMP PUMP RANGER 10/35M ST 230/50	1,00	28/11/2016		--



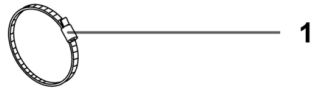
Ref. K	Part n.	Part n. 2	Description	Quantity	Validity		Price
					From	To	
0001	LAFN09910		TROLLEY BODY 400 COMPACT BASC.	1,00			--
0002	MPVR06136		PLASTIC TOP 40X20	2,00			--
0003	VTDD72234		NUT M 10	2,00			--
0004	VTRS71964		WASHER M 10	2,00			--
0005	RTRT21167		FRONT WHEEL	2,00			--
0006	RTRT24322		WHEEL SR 250	2,00			--
0007	MPVR72149		BLOC D.20	2,00			--
0008	VTRS00420		PLASTIC WASHER D.40X20,5X3	2,00			--
0009	MPVR85070		WHEEL CAP D.200/250 BLACK	2,00			--
0010	MPVR02288		GRIP PLAST.CARRELLO GR.5000	2,00		11/05/2022	--
0010	MPVR10119		GRIP PLAST.CARRELLO NERO	2,00	12/05/2022		--



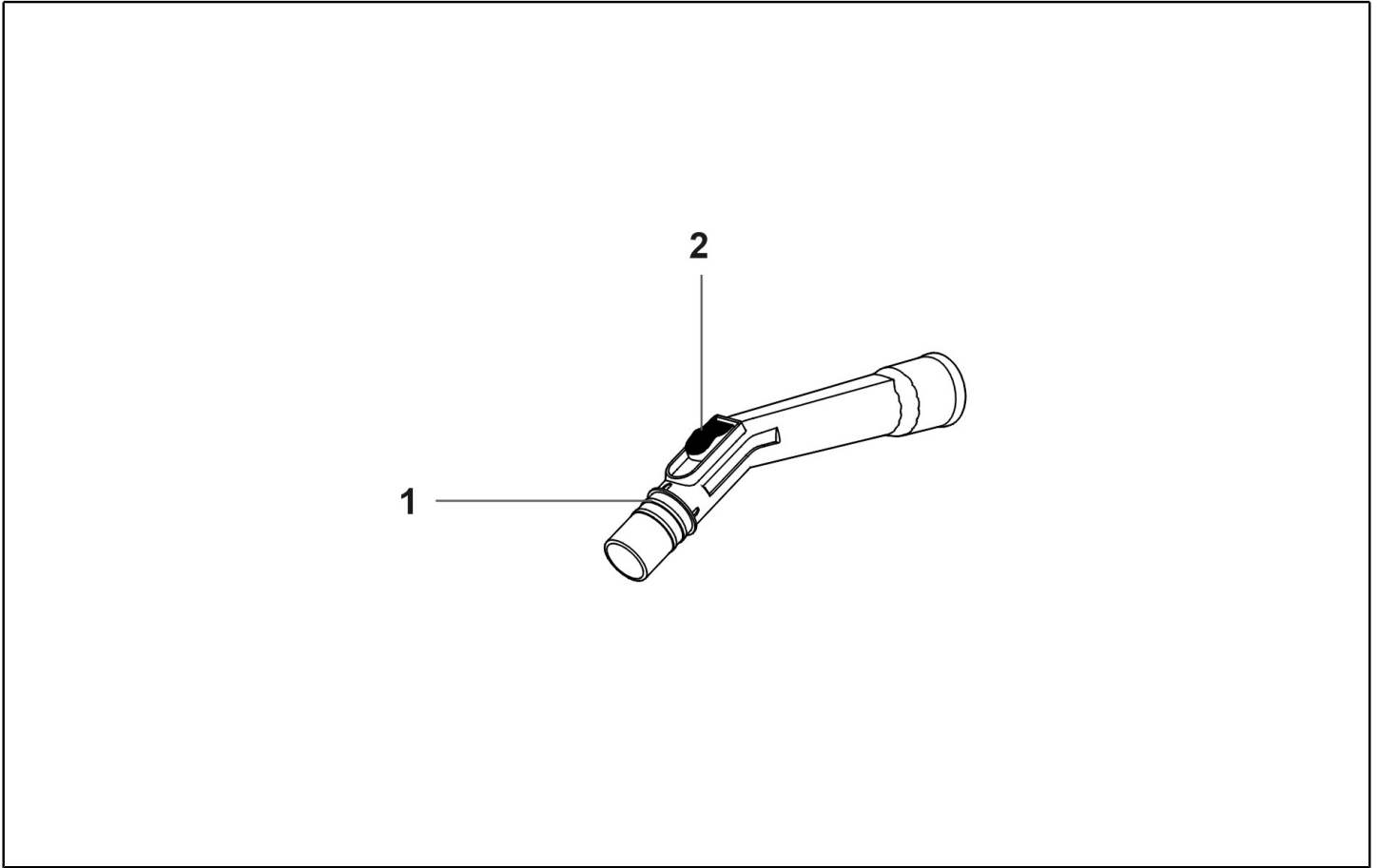
Ref. K	Part n.	Part n. 2	Description	Quantity	Validity		Price
					From	To	
0001	TBFX37775		COMPL.FLEX HOSE 38/99 MT.4,5	1,00			--
0002	SPPV72080		CHROME LANCE D.38	1,00			--
0003	SPPV29369		COMBINED BRUSH D.38	1,00			--
0004	LAFN43048		EXTENSION FOR VACUUM CLEANER	2,00			--
0005	MPVR43047		EXTENSION CURVED EXTENSION	1,00			--
0006	PVVR00367		PLAST.EXTENTION D.38 L=250	1,00			--



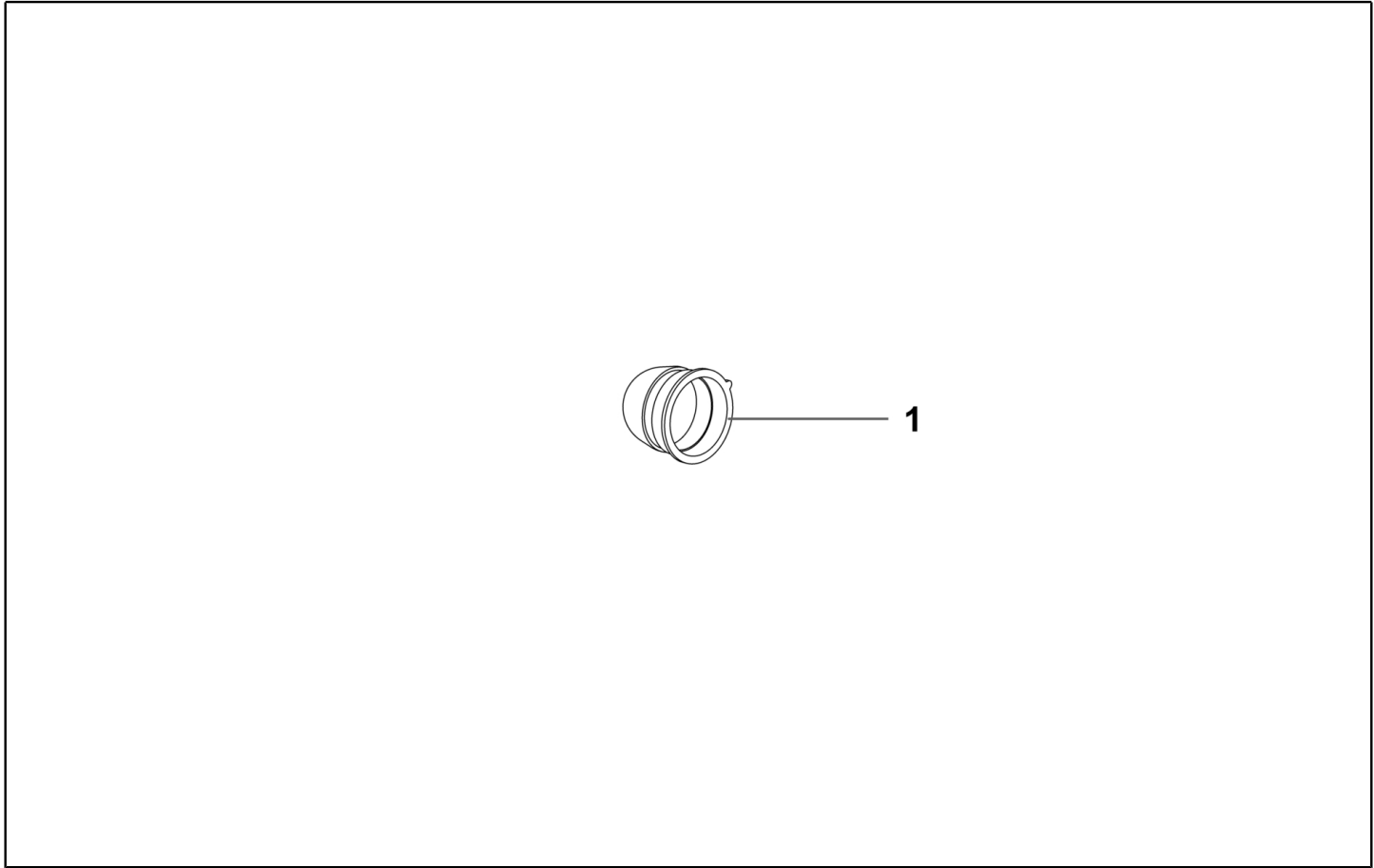
Ref. K	Part n.	Part n. 2	Description	Quantity	Validity		Price
					From	To	
0001	VTVT36751		SCREW SCREW PAT TMT PHL 5X25	1,00			--
0001	VTVT36751		SCREW SCREW PAT TMT PHL 5X25	1,00			--



Ref. K	Part n.	Part n. 2	Description	Quantity	Validity		Price
					From	To	
0001	FSVR86722		HOSE CLAMP 48/68	1,00			--
0001	FSVR86722		HOSE CLAMP 48/68	1,00			--



Ref. K	Part n.	Part n. 2	Description	Quantity	Validity		Price
					From	To	
0001	MPVR10505		CURVE PLAST DIA 38	1,00			--
0002	MPVR06762		PUSH BUTTON AIR REGULATION G5	1,00			--



Ref. K	Part n.	Part n. 2	Description	Quantity	Validity		Price
					From	To	
0001	MPVR28696		DEFLECTOR 99	1,00			--
0001	MPVR28696		DEFLECTOR 99	1,00			--