

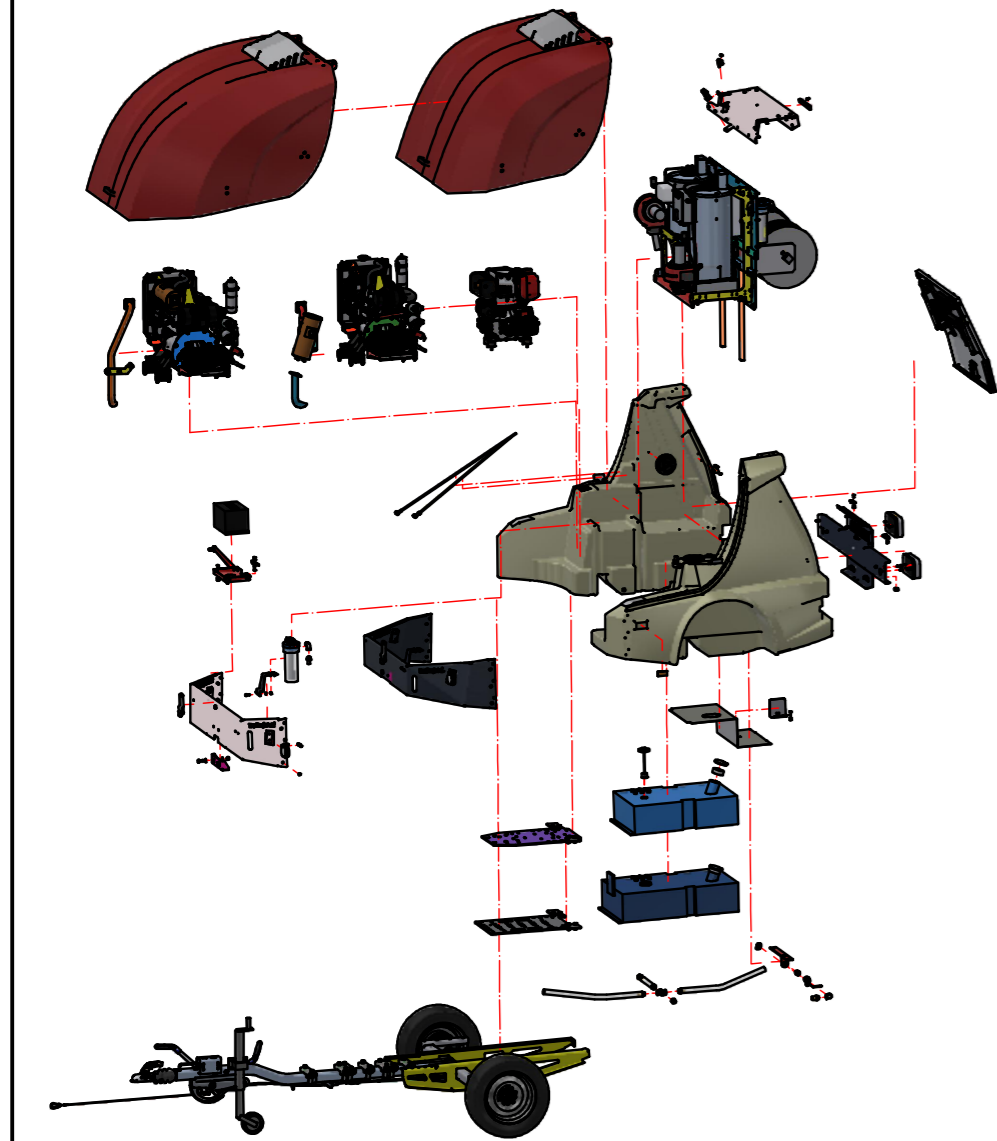
ZIE BLAD 2
SEE PAGE 2

SCHAAL : RUWHEID : Niet aangegeven tolerantie: sch. KANTEN BRE. : hoek: ±0,5°	NABEH : µm MAT. : MAATEENHEID : MM SCH. KANTEN BRE. : 1 - 2 mm	GETEKEND : Peter Dekker DATUM : 5-5-2023 OPDRACHTG. : PRO.NO. : -	 TEK.NO. : MC-TJII-S1275 REV. : - BL. 1 van 7 A1
--	---	--	---

Exploded-view TJ M+L
Exploded view TrailerJet M+L

SERVICE PARTS TRAILER	
	Trailer
Olie (pomp)	2106004033
Burner electrode (2x)	14262937
Burner electrode cap (2x)	14262935
Catridge fuelfilter burner	15100844
Atomizer	14263128
O-ring (atomizer)	1182004007
Cartridge rope waterfilter	28510050
Nozzle Steamplus	144025025
Nozzle	144025040
HD Swivel revision kit	14460366

Pump performances	
Performance	Yanmar motor
150/50	3TNV80
200/15	L100
200/21	2TNV70
200/30	3TNV80
300/15	2TNV70
350/18	3TNV80
500/15	3TNV80

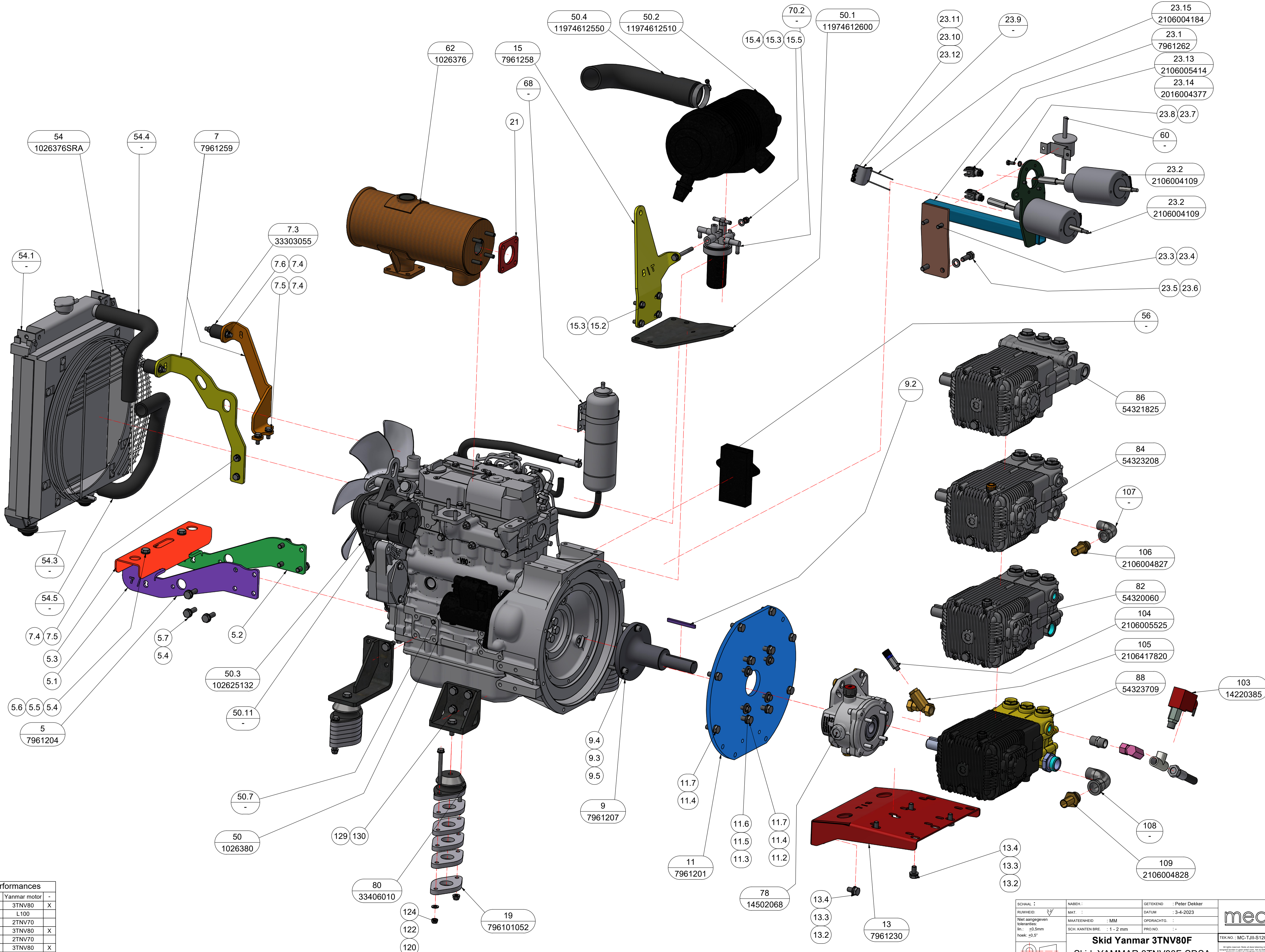


11.2	1	Ring cap fuel tank	2106006004	5.8.8	1	Toolflex 15-20	d2106004952	1.46	1	Engine hour counter Yanmar 70	7961226
11	1	Fuel tank Ass. L 85ltr	7961247	5.8.7	1	DC-cable end cap	1001155974007	1.45	1	Hose return-pres.reg.	7961244
9.1 (M)	1	Fuel tank M 70ltr	9350001	5.8.6	1	DC-connector	1001155976017	1.44	1	Hose pump-pres.reg.	7961245
9.5	1	Mounting Flange	2106004723	5.8.5	1	Connector mounting incl. AMP superseal to LD-999	1001CONM1	1.43	1	Hose HP	2106004152
9.4	1	Levelsensor	21345120					1.42	1	Operationspanel	1026KP7
9.3	1	Cap fueltank Ø80 with key	2106004826	5.8.4	1	AMP Superseal > DC cable adapter	1001MTWRK1	1.41	1	Hose LP	141723
9.2	1	Ring cap fuel tank	2106006004	5.8.3	1	LED Marker Light	1001999	1.40.1	1	Panel_mechanical 70	
9	1	Fuel tank Ass. M 70ltr	7961248	5.8	1	Intermediate bracket topside	7961220	1.40	1	Operationspanel	1026382
7	1	Diamond plates below hosereels	7961246	5.7.1 (M)	1	Front bracket M weld. ass.	7961219	1.39	1	dosing pump	2106005354
6.6.4	1	Spring clip S10	337180510	5.7.6	1	Flexible Over-center Draw Latch	467260319	1.38.3	1	Rope cartridge	28510050
6.6.2	1	Ball joint	3398530	5.7.5	1	light with bracket	100159079868	1.38.1	1	WF housing with filter bowl 10"	220175
6.6 (L)	1	Bonnet rod L		5.7.4	1	light with bracket	100159079851	1.38	1	Waterfilter	-
6.17	1	Hose connector	2106004828	5.7.3	1	Bracket waterfilter front	7961254	1.37	1	Hose with cover	2106004280
6.16	1	Float valve	14220301	5.7.2	1	Mount. brack.fr. bumper	796101037	1.36	1	Hose connector	2106004827
6.15	2	Plastic inspection hatch black	370004477	5.7	1	Front bracket L	7961218	1.35.2	1	Hose Reel without swivel	14460371
6.7.1 (L)	1	Front bracket L weld. ass.	7961217	5.4.6	1	Hose connector	-	1.35.1	1	Lowpressure swivel	14460364
6.7	1	Front bracket M	7961216	5.4.5	1	Reducing Elbow		1.35	1	Hose Reel with LP-swivel	14460370
5.6 (M).4	1	Spring clip S10	337180510	5.4.4	1	3/4 Elbow 90°	2106005164	1.34.2	1	Hose Reel without swivel	14460371
5.6 (M).2	1	Ball joint	3398530	5.4.2	1	Ball Valve	120401418	1.34.1	1	Highpressure swivel	14460361
5.6 (M)	1	Bonnet rod M		5.4.1	1	Weld.ass. drain tap	7961265	1.34	1	Hose Reel with HP-swivel	14460372
5.5 (M).3	2	Catcher front cover	7961227	5.4	1	Ass. drain tap	7961264	1.33	1	Swivel	14150400
5.5.1 (M)	1	Front Cover M	76332003	5.3.34	1	Nipple 3/8	14150407	1.32	1	Geka coupling hose barb	2106005602
5.5.5.7	1	Disc for adjust. foot polyam.	33360	5.3.33	1	Nozzle	144025025	1.31	1	Hose pressure gauge	14200945
5.5.5.3	1	Spindle Galv. steel M10	3331045	5.3.32	1	Lance S6	14101375	1.30	3	Fuefilter	2106004100
5.5.5	2	Bracket rubber front cover	7961255	5.3.31	1	Nozzle protector	14119113	1.29	1	Inlet backwash port	2106005429
5.5.4.3	1	Handle	2106004832	5.3.30	1	Nozzle	144025040	1.28	1	Spraygun	14101334
5.5.4	1	Secure bracket bonnet rod	7961229	5.3.29	1	Lance RP10	14111107	1.27	2	Thermocouple	2106005324
5.5.2	1	Hinge bracket front cover	7961221	5.3.28	2	Nipple	14150406	1.26	1	pressure regulator	1014200574
5.5.1	1	Topcovers boiler exhaust	7961215	5.3.27	1	Adapter	12035548	1.21	1	Hose press.reg. - burner	681075
5.5 (M)	1	Ass. front cover M	7961213	5.3.26	1	Sprinkler large	150451023	1.20	1	S3 Safety Relief Valve	2106004709
5.24	1	Flange inlet backwash port	-	5.3.25	1	Lance PFL	14111107	1.19	1	FL7 Flowswitch	14201054
5.20.6	1	Hose		5.3.13	2	Toolflex 30-40	d367950201	1.18	2	pressure gauge	15100647
5.20.5	1	Cross piece 4 x 3/4in	2106005141	5.3.12	3	Toolflex 20-30	d367951010	1.17	2	Hose connector	2106004828
5.20.4	1	Hexagon Nipple 3/4		5.3.11	4	Toolflex 15-20	d2106004952	1.16	2	3/4 Elbow 90°	2106005164
5.20.3	1	Hose		5.3.10	2	Alu strip brackets lances		1.15	2	thermostat holder	2106005451
5.20.2	1	Hose		5.3.9	2	Plain bearing bush	3312151812	1.14.6	1	Optical eye	14262951
5.20.1	4	Hose connector		5.3.8	2	Hex.sock head shoulder scr.		1.14.5	2	Electrode burner	1426937
5.20	1	Ass. hose between tanks		5.3.7	1	Sealing Rubber Backside cover		1.14.4	2	Electrodecap brander	14262935
5.19	2	Mounting gasspring	2106004841	5.3.6	2	Mounting gasspring	2106004841	1.14.3	1	Fuel valve burner	2106004708
5.18	1	Hose connector	2106004828	5.3.5	1	Latch	2106004842	1.14.2	1	Fuel pump burner	14262917
5.17	1	Float valve	14220301	5.3.4	4	Spring clip S10	337180510	1.14.1	1	Burner fan E-motor 12V	2106004291
5.16	1	Plastic inspection hatch black	370004477	5.3.3	2	Gas Strut	33027185	1.14	1	Diesel Boiler (SPII)	15950812
5.15	1	Levelswitch Gentech	14201200	5.3	1	Ass. backside cover	7961212	1.13.2	2	Fuefilter element	15100844
5.14	2	Reflector 70x32 Orange	2106004847	5.2	1	Plate on watertank for rubber	7961256	1.13.1	2	Fuefilter	2106004047
5.13	1	Levelsensor	2106005073	5.1.23	1	Cabletree TJII custom-build	1001MTWRK2	1.13	3	Ass. fuel filter	
5.12	1	Watertank righth	1043001	5.1.22	1	DC-cable end cap	1001155974007	1.12.7	3	Optical eye	14262951
5.11	1	Watertank left	1043001	5.1.21	1	AMP Superseal > DC cable adapter	1001MTWRK1	1.12.6	3	Electrode burner	1426937
5.10.4	1	Mountingblock battery		5.1.20	1	DC-connector	1001155976017	1.12.5	2	Fuel pump burner	14262917
5.10.3	1	Accu 80Ah	56219	5.1.19	1	Connector mounting incl. AMP-superseal on license plate lighting	1001CONM4	1.12.4	2	Burner fan E-motor 12V	2106004291
5.10	1	Tray for battery	7961231	5.1.18	1	Connector mounting bayonet plug to rear light righth	1001CONM3	1.12.3	4	Ignition cable	14262414
5.9	2	Secure bracket front cover	7961227	5.1.17	1	Connector mounting bayonet plug to rear light left	1001CONM2	1.12.2	3	Fuel valve burner	2106004708
5.8.9	1	Contact-switch	1701556	5.1.16	2	5-pin Male bayonet connector	1001130536044	1.12.1	4	Electrodecap brander	14262935
				5.1.15	1	Rear lighting R	1001590755600	1.11	1	Operating panel E-versions	
				5.1.14	1	Rear lighting L	10015907556	1.10	1	Operating panel without generator (TJ-II)	
				5.1.13	1	Backplate license plate and lighting	7961211	1.9	1	Support SPII Boiler 365mm	7961253
				5.1.12	1	Base frame trailer M		1.5	1	Mounting brackets control box	7961225
				5.1.11	1	Ass. engine base plate L	7961234	1.4	2	Uprighth legs mid-plate	796101032
				5.1.10	1	Ass. engine base plate M	7961233	1.3	1	Mountingplate PA Pulsar Zero 350	
				5.1.9	1	Ass. boilers, hose reels, mid.plane		1.2	1	Bracket water filter transverse	7961232
				5.1.8	1			1.1	1	Weld. ass. boiler frame	7961223
				5.1.7	1			1	1		7961222

52	2	3/4 Elbow 90°	2106005164
51	2	Hose connector	2106004828
50.3	1	WF housing with filter bowl 10"	220175
50.2	1	Rope cartridge	28510050
38	1	Skid YAMMAR L100	see expl.view skid
36.2	1	Exhaust 70	7961267
36.1	1	Exhaust 70+80	1026376
36	1	Exhaust 70	7961272
34	1	Skid YAMMAR 2TNV70	see expl.view skid
32	1	Exhaust 80	7961266
30	1	Skid YAMMAR 3TNV80F-SDSA	see expl.view skid
13	1	Trailer frame with brakes	717202628
11.1 (L)	1	Fuel tank L 85ltr	9350002
11.5	1	Mounting Flange	2106004723
11.4	1	Levelsensor	21345120
11.3	1	Cap fueltank Ø80 with key	2106004826

POS	QTY	Description	meclean NUMBER	POS	QTY	Description	meclean NUMBER	POS	QTY	Description	meclean NUMBER
-----	-----	-------------	----------------	-----	-----	-------------	----------------	-----	-----	-------------	----------------

SCALE : $\frac{3}{2}$	Treatm. : µm	DESIGNER : Peter Dekker
ROUGHNESS: $\frac{3}{2}$	MAT. :	DATE : 5-5-2023
Tolerances not given: lin.: ±0.5mm angle: ±0.5°	UNITS : MM	COMPANY :
	CHAMFER EDGES: 1 - 2 mm	PRO.NO. : -
Exploded-view TJ M+L		DRAWINGNO. : MC-TJII-S1275
Exploded view TrailerJet M+L		REV. : -
klant overzicht Engels		SH 4 of 7
A2		



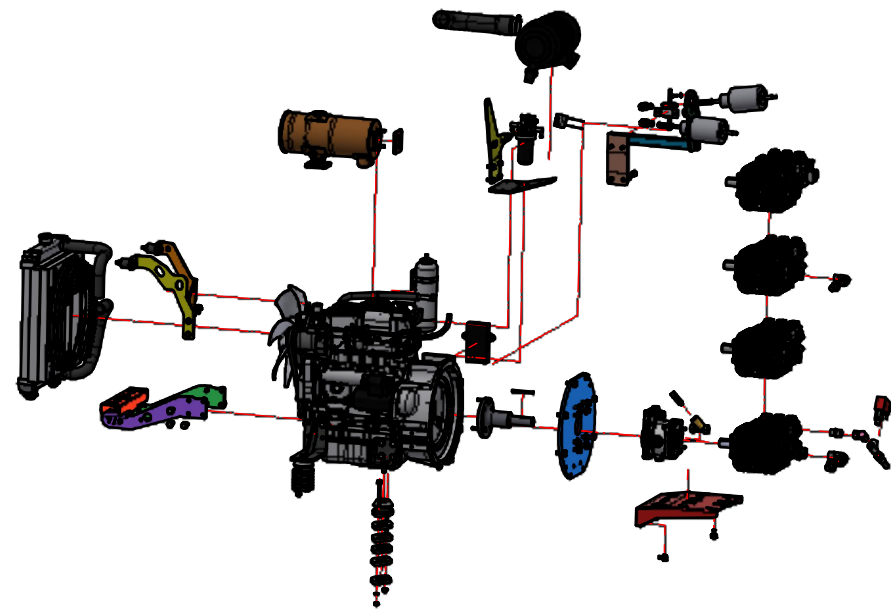
Pump performances		
Performance	Yanmar motor	
150/50	3TNV80	X
200/15	L100	
200/21	2TNV70	
200/30	3TNV80	X
300/15	2TNV70	
350/18	3TNV80	X
500/15	3TNV80	X

SCHAAL : RUWHEID : Niet aangegeven tolerantie: lin: ±0,5mm hoek: ±0,5°	NABEH : MAT. : MAATEENHEID : MM SCH. KANTEN BRE. : 1 - 2 mm	GETEREND : Peter Dekker DATUM : 3-4-2023 OPDRACHTG. : PRO.NO. :	meclean TEK.NO. : MC-TJII-S1200 REV. : 2 BL. 1 van 4 A1
---	--	--	---

Skid Yanmar 3TNV80F
Skid YAMMAR 3TNV80F-SDSA

SERVICEPARTS

	Yanmar 80
Oil (motor)	3.4 ltr 210600005
Oil filter	1026119305
Fuelfilter	102612905355
O-ring Fuel filter	1026129053555
Air inlet filter	1026119655125
V-belt 80	102625132



54.5	1	Hose Bottom	-
54.4	1	Hose Top	-
54.3	2	Vibration damper	-
54.2	1	Cover	-
54.1	1	Radiator	-
54	1	Radiatorkit 80	1026376SRA
52	1	Engine foot set	-
50.11	1	Alternator 80	-
50.9	1	Fan	-
50.7	1	Starter motor	-
50.5	1	Oilfilter	1026119305
50.4	1	Hose AirFilter Kit 80	11974612550
50.3	1	V-Belt	102625132
50.2	1	AirFilter 80	11974612510
50.1	1	Bracket AirFilter 80	11974612600
50	1	Engine 80	1026380
23.15	2	Throttle cable	2106004184
23.14	2	Throttle cable nipple	2016004377
23.13	2	Rod clevis	2106005414
23.9	1	Bracket steel cables fuel valve	-
23.2	2	Solenoid	2106004109
23	1	Ass. bracket solenoids	7961261
21	1	Flange Exhaust 70/80	7961257
19	24	Filler plate 10mm	796101052
15	1	Bracket support front hood	7961258
13	1	Bracket AR Pumps	7961230
11	1	Assembly Flange Motor	7961201
9.2	1	Key l = 75,0 mm	
9	1	Stub axle 3TNV80F-SDSA Ø28.6	7961207
7.3	2	Vibration damper Type A 30x30 M8	33303055
7	1	Radiator Mounting Bracket top	7961259
5	1	Radiator Mounting Bracket bottom	7961204

109	1	Hose connector	2106004828
108	1	3/4 Elbow 90° long	-
107	1	1/2 Elbow 90° long	-
106	1	Hose connector	2106004827
105	1	Strainer Messing	2106417820
104	1	checkvalve	2106005525
103	1	Pressure switch PR1	14220385
88	1	HP-pump 150bar 50l/min	54323709
86	1	HP-pump 500bar 15l/min	54321825
84	1	HP-pump 350bar 17l/min	54323208
82	1	HP-pump 200bar 30l/min	54320060
80	4	Vibration damper	33406010
78	1	Gearbox B31	14502068
70.6	1	O-ring fuel filter	1026129053555
70.5	1	Fuel-filter element	1026119655125
70.2	1	Fuel-filter housing	-
68	1	Expansietank	-
66	1	Hose Clamp	-
62	1	Exhaust 70+80	1026376
60	1	Elec. fuel pump	-
56	1	Driver Solenoid	-

SERVICEPARTS Pump 500bar\15ltr

	meclean no.
Valve set	Kit 2185
Plunjer kit [3 stuk] Ø18	Kit 2872
Plunjer water seal kit Ø18	Kit 2874
Piston guide kit for 1 piston Ø18	Kit 42120
Olie seal kit	Kit 2873

SERVICEPARTS Pump 350bar\18ltr

	meclean no.
Valve set	Kit 2871
Plunjer kit	Kit 2872
Plunjer seal kit Ø18	Kit 2874
Plunjer guide kit Ø18	Kit 42120
Olie seal kit	Kit 2873

SERVICEPARTS Pump 200bar\30ltr

	meclean no.
Valve set	Kit 2780
Plunjer set Ø22	Kit 2543
Plunjer seal kit Ø22	Kit 2783
Plunjer guide kit Ø22	Kit 2785
Plunjer olie seal	5431940560

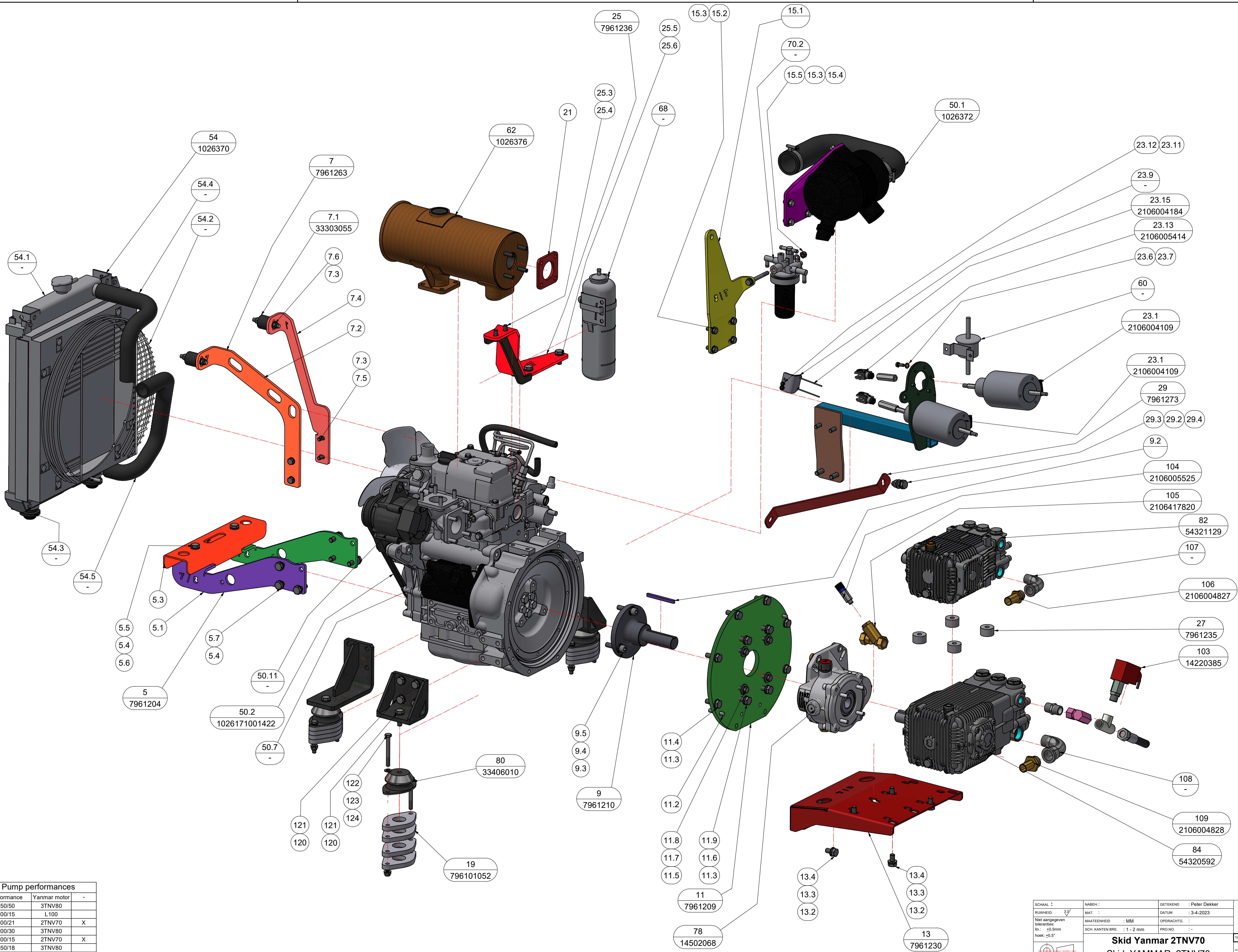
SERVICEPARTS Pump 150bar\50ltr

	meclean no.
Kleppen set	Kit 2780
Plunjer set Ø28	Kit 1849
Plunjer seal kit Ø28	Kit 42708
Plunjer geleider kit Ø28	Kit 42707
Olie seal kit	Kit 2873

SCALE :	Treatm. :	DESIGNER : Peter Dekker
ROUGHNESS: $\sqrt{3.2}$	MAT. :	DATE : 3-4-2023
Tolerances not given: lin.: ±0,5mm angle: ±0,5°	UNITS : MM	COMPANY :
	CHAMPHER EDGES: 1 - 2 mm	PRO.NO. : -
Skid Yanmar 3TNV80F		
Skid YAMMAR 3TNV80F-SDSA		

meclean

DRAWINGNO.: MC-TJII-S1200	REV.: 2
SH 3 of 4	
A3	



Pump performances		
Performance	Yanmar motor	-
150/50	3TNV80	-
200/15	L100	-
200/21	2TNV70	X
200/30	3TNV80	-
300/15	2TNV70	X
350/18	3TNV80	-
500/15	3TNV80	-

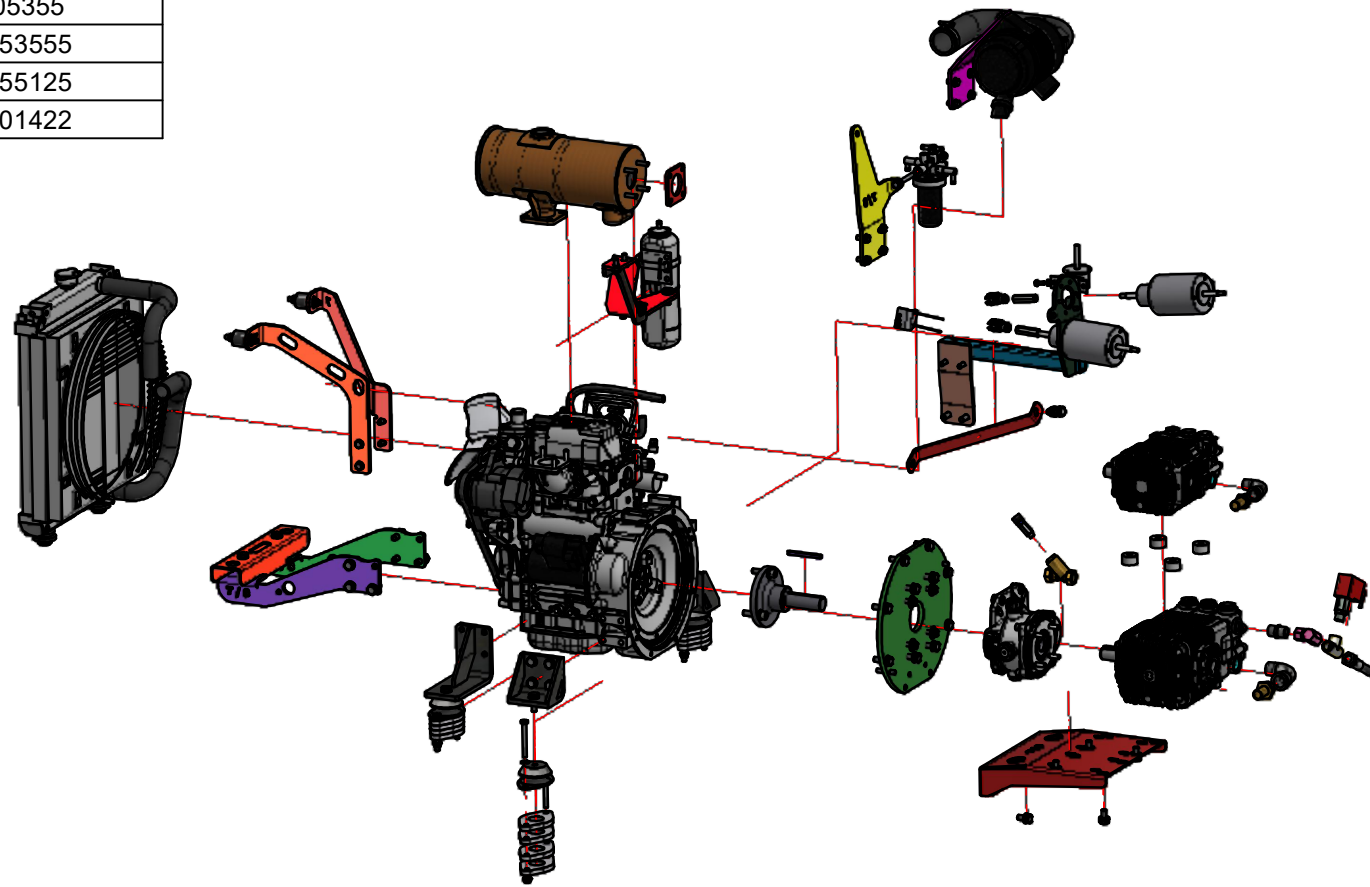
SCHAAL : RUWHEID : Niet aangegeven tolerantie: lin: ±0.5mm hoek: ±0.5°	NABEH : MAT. : MAATEENHEID : MM SCH. KANTEN BRE. : 1 - 2 mm	GETEREND : Peter Dekker DATUM : 3-4-2023 OPDRACHTG. : PRO.NO. : REV. : 2	meclean TEK.NO. : MC-TJII-S1208 BL. 1 van 4 A1
---	--	--	---

Skid Yanmar 2TNV70
Skid YAMMAR 2TNV70

D:\Projecten\meclean\08_Truksart\08_Handboek\08-13-51018 - 2 Skid YAMMAR 2TNV70_Espoo0000000

SERVICEPARTS

	Yanmar 70
Oil (motor)	1.7 ltr 5W30 - 33SP33088
Oil filter	1026119305
Fuelfilter	102612905355
O-ring Fuel filter	1026129053555
Air inlet filter	1026119655125
V-belt 70	1026171001422



68	1	Expansietank	-
66	1	Hose Clamp	-
64	0	Gasket exhaust	-
62	1	Exhaust 70+80	1026376
60	1	Elec. fuel pump	-
54.5	1	Hose Bottom	-
54.4	1	Hose Top	-
54.3	2	Vibration damper	-
54.2	1	Cover	-
54.1	1	Radiator	-
54	1	Radiatorkit 70	1026370
52	1	Engine foot set	-
50.11	1	Alternator 70	-
50.9	1	Fan	-
50.7	1	Starter motor	-
50.5	1	Oilfilter	1026119305
50.2	1	V-belt	1026171001422
50.1	1	Airfilter kit	1026372
50	1	Engine 70	1026270
29	1	Beam solenoid bracket	7961273
27	1	Stuffing bush 17.5mm AR-pump 228 series	7961235
25	1	Bracket Exhaust 70	7961236
23.15	2	Throttle cable	2106004184
23.14	2	Throttle cable nipple	2016004377
23.13	2	Rod clevis	2106005414
23.9	1	Bracket steel cables fuel valve	-
23.2	1	Welding Ass.bracket solenoid	7961262
23.1	2	Solenoid	2106004109
23	1	Ass. bracket solenoids	7961261
19	16	Filler plate 10mm	796101052
15	1	Bracket support front hood	7961258
13	1	Bracket AR Pumps	7961230
11	1	Assembly Flange Motor	7961209
9.2	1	Key l = 75,0 mm	
9	1	Stub axle 2TNV70 Ø28.6	7961210
7.1	2	Vibration damper Type A 30x30 M8	33303055
7	1	Radiator Mounting Bracket top	7961263
5	1	Radiator Mounting Bracket bottom	7961204

109	1	Hose connector	2106004828
108	1	3/4 Elbow 90° long	-
107	1	1/2 Elbow 90° long	-
106	1	Hose connector	2106004827
105	1	Strainer Messing	2106417820
104	1	checkvalve	2106005525
103	1	Pressure switch PR1	14220385
100	1	Tee	-
84	1	HP-pump 300bar 15l/min	54320592
82	1	HP-pump 200bar 21l/min	54321129
80	4	Vibration damper	33406010
78	1	Gearbox B31	14502068
70.6	1	O-ring fuel filter	1026129053555
70.5	1	Fuel-filter element	1026119655125

POS	QTY	Description	meclean NUMBER	POS	QTY	Description	meclean NUMBER
-----	-----	-------------	----------------	-----	-----	-------------	----------------

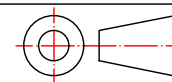
SERVICEPARTS Pump 300bar/15ltr

	meclean no.
Valve set	Kit 2780
Plunjer set Ø 20	Kit 2542
Plunjer seal kit Ø20	Kit 2782
Plunjer guide kit Ø20	Kit 2784
Plunjer oil seal Ø20	5431940560

SERVICEPARTS Pump 200bar/21ltr

	meclean no.
Valve set	Kit 2864
Plunjer set Ø22	Kit 2759
Plunjer seal kit Ø22	Kit 1888
Plunjer guide Ø22	1380160
Oil seal kit	Kit 1855

SCALE :	Treatm. :	DESIGNER : Peter Dekker
ROUGHNESS: $\sqrt{3.2}$	MAT. :	DATE : 3-4-2023
Tolerances not given: lin.: ±0,5mm angle: ±0,5°	UNITS : MM	COMPANY :
	CHAMPHER EDGES: 1 - 2 mm	PRO.NO. : -



Skid Yanmar 2TNV70
Skid YAMMAR 2TNV70

meclean

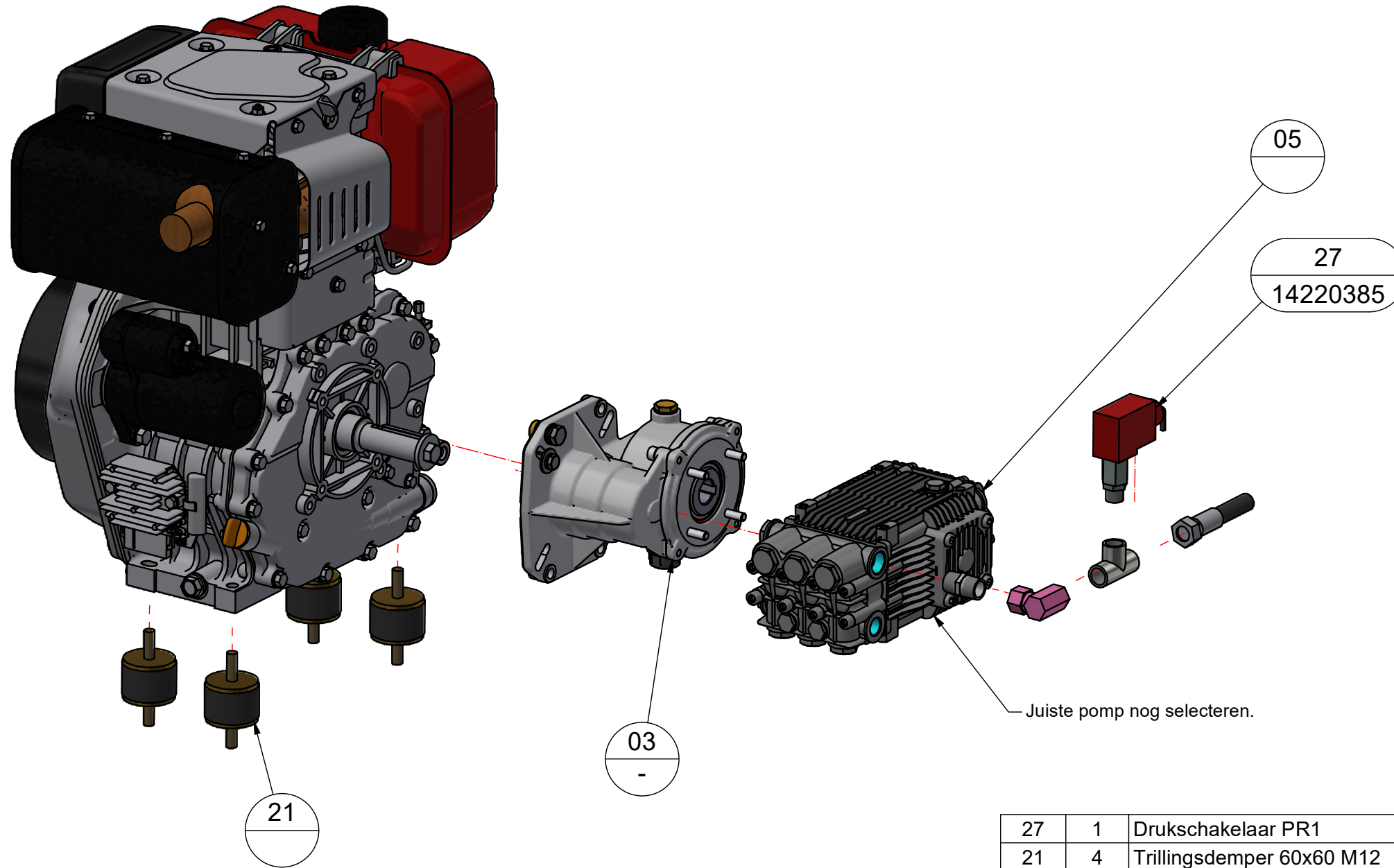
DRAWINGNO.: MC-TJII-S1208 REV.: 2
SH 4 of 4
A3

SERVICEPARTS

	Yanmar L100
Motorolie / Oil (motor)	1.7ltr 5W30 - 33SP33088
Oliefilter / Oilfilter	119305-35170
Brandstoffilter / fuel filter	104500-55170
Luchtfilter / air inlet filter	128171-12540
V-riem / V-belt	105582-77790

Pump performances

Performance	Yanmar motor	-
150/50	3TNV80	
200/15	L100	X
200/21	2TNV70	
200/30	3TNV80	
300/15	2TNV70	
350/18	3TNV80	
500/15	3TNV80	



27	1	Drukschakelaar PR1	Pressure switch PR1	14220385
21	4	Trillingsdemper 60x60 M12		
05	1	HP-pomp 200bar 21l/min	HP-pomp 200bar 21l/min	
03	1	Reductiekast B24	Gearbox B24	-
01	1	Yanmar Engine		
POS	QTY	DESCRIPTION	Description Engels	meclean NUMBER

SERVICEPARTS Pomp 200bar/15ltr	
	meclean no.
Kleppen set / Valve set	
Plunjer set Ø22	
Plunjer seal kit Ø22	
Plunjer geleider / plunjer guide Ø22	
Olie seal kit / Oil Seal kit	

SCALE :	Treatm. :	DESIGNER : Peter Dekker	
ROUGHNESS: $\sqrt{3.2}$	MAT. :	DATE : 3-4-2023	
Tolerances not given: lin.: $\pm 0,5\text{mm}$ angle: $\pm 0,5^\circ$	UNITS : MM	COMPANY :	
	CHAMPHER EDGES: 1 - 2 mm	PRO.NO. : -	
		Skid Yanmar L100 Skid YAMMAR L100	
DRAWINGNO. : MC-TJII-S1274			REV. : -
All rights reserved. No part of this drawing may be reproduced or transmitted in any form or by any means, mechanical or electronic, including photocopying and recording, for any purpose without the express written permission of Meclean. Copyright by Meclean, Terneuzen.			SH 1 of 2 A3