



IPC

Spare parts list

Ref: ASDO15548

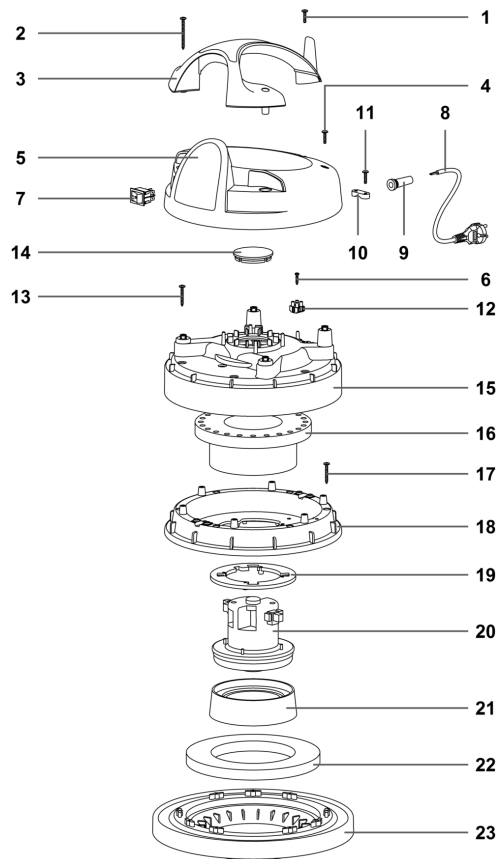
Model: VACUUM CLEANER GP1/16ECO B TOPPER 202 PL



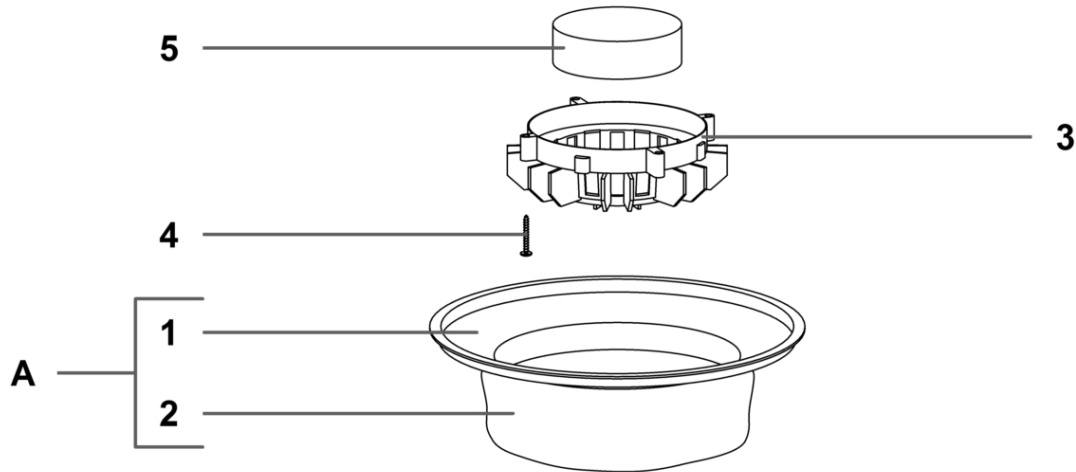
IPC Integrated Professional Cleaning

IPC Soteco

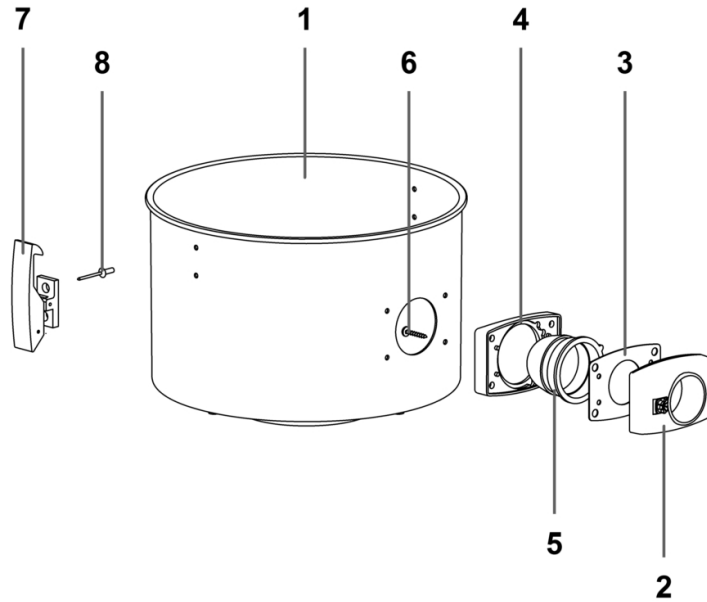
Ref. K	Part n.	Customer part n.	Description	Quantity	Validity		Price
					From	To	
0001	PMTA08595		HEAD TOPPER 202 VEI NE ECO B	1,00			--
0002	KTRI03023	03833 ECO	FILTERING KIT 200 SAN PPI/20	1,00			--
0003	PMFU02532		DRUM PLAST 200/16D NE/VEI COMP	1,00			--
0004	CARR01593	020884NE PL	TROLLEY 500 VEGAS NE F/PLAST COMP	1,00			--



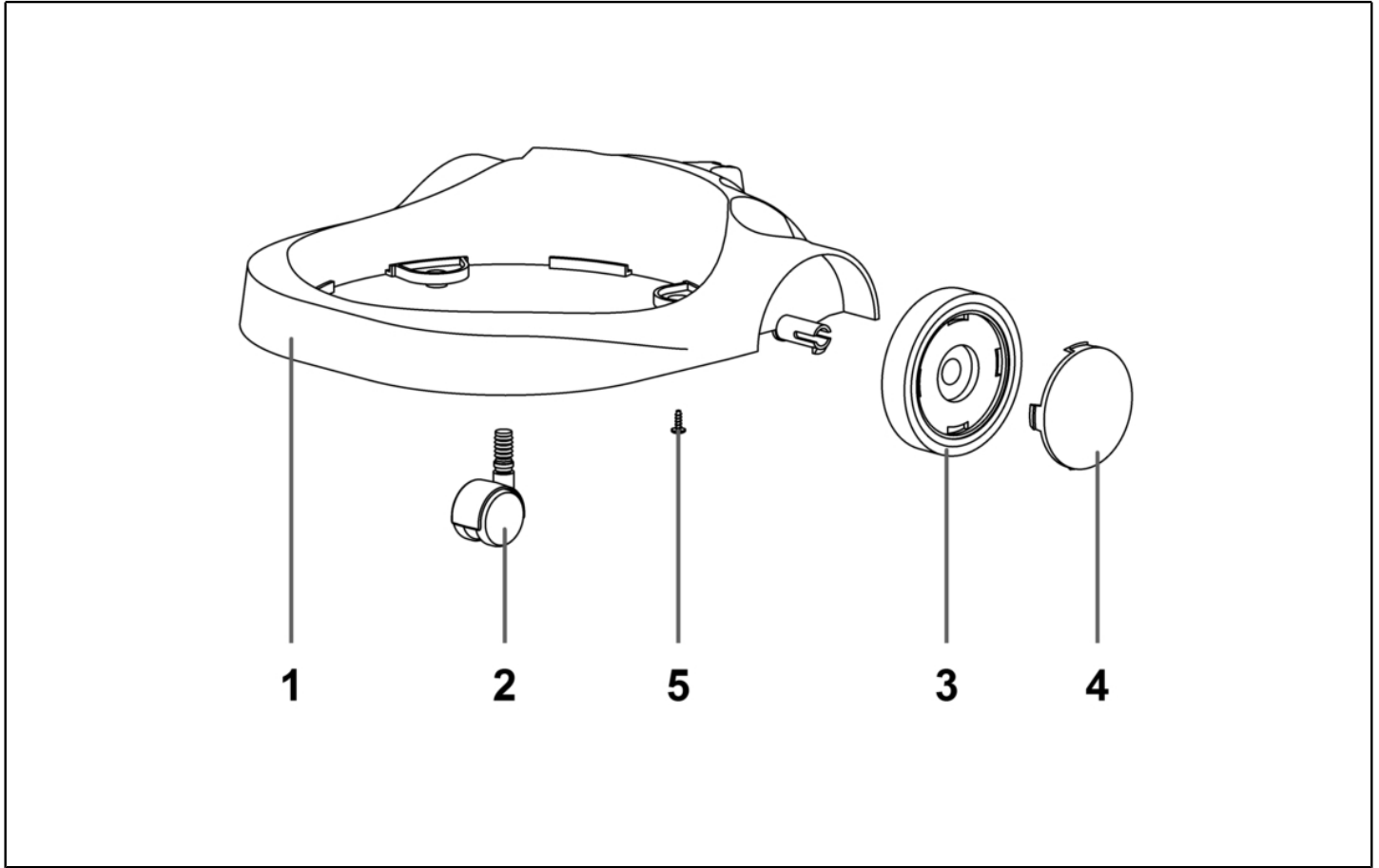
Ref. K	Part n.	Customer part n.	Description	Quantity	Validity		Price
					From	To	
*	FSVR00127	01106	CLAMP	1,00			--
*	MECB01212	07632	WIRING 43CM MOTOR	1,00			--
0001	VTVT71961	01006	SCREW PFU TMT PHL 5X20 BLACK	1,00			--
0002	VTVT40007	03273	SCREW PAT TMT PHL 5X55 BLACK	2,00			--
0003	MPVR08275	020725VEI	HANDLE TOPPER 500 GREEN IPC	1,00			--
0004	VTVT71961	01006	SCREW PFU TMT PHL 5X20 BLACK	2,00			--
0005	MPVR08293	020726NE	COVER TOPPER 500 NE	1,00			--
0006	VTVT88715	01004	SCREW PAT TCB 4,5X20 ZN BLACK	1,00			--
0007	MECI28677	00114	SWITCH	1,00			--
0008	MECB01984		CABLE ELETT.2X0,75 MT.8	1,00			--
0009	MEVR28673	00138	FAIRLEAD	1,00			--
0010	MPVR28690	00139	CABLE CLAMP	1,00			--
0011	VTVT71961	01006	SCREW PFU TMT PHL 5X20 BLACK	1,00			--
0012	MECB01161	03464	TERMINAL BOARD 300-500 2P RAD	1,00			--
0013	VTVT71971	01050	SCREW PAT TMT PHL 5X35 BLACK	6,00			--
0014	MPVR38053	03383	COVERING CAP	1,00			--
0015	MPVR09134	02738-1VEI	COVERING 99 S/HOLES GREEN-IPC	1,00			--
0016	FTDP38066	03900	FILTER PHONO H=75	1,00			--
0017	VTVT71971	01050	SCREW PAT TMT PHL 5X35 BLACK	6,00			--
0018	MPVR08419	021261NE	MOTOR SUPPORT 500 BLACK	1,00			--
0019	MPVR07291	021213	SPACER X MOTORS DRY DOMEL	1,00			--
0020	MOMO00920		MOTOR TS20D CP 900W 220-240 50/	1,00			--
0021	MPVR08379	021212NE	MOTOR GASKET "L" 135 H32 BLACK	1,00			--
0022	GUVR89137	07635	WASHER MTP 65 MM.18D.230X145 S/F	1,00			--
0023	PMBA00625	03190 GNE	BASE 500 SING./STAGE W/BL.GAS.	1,00			--



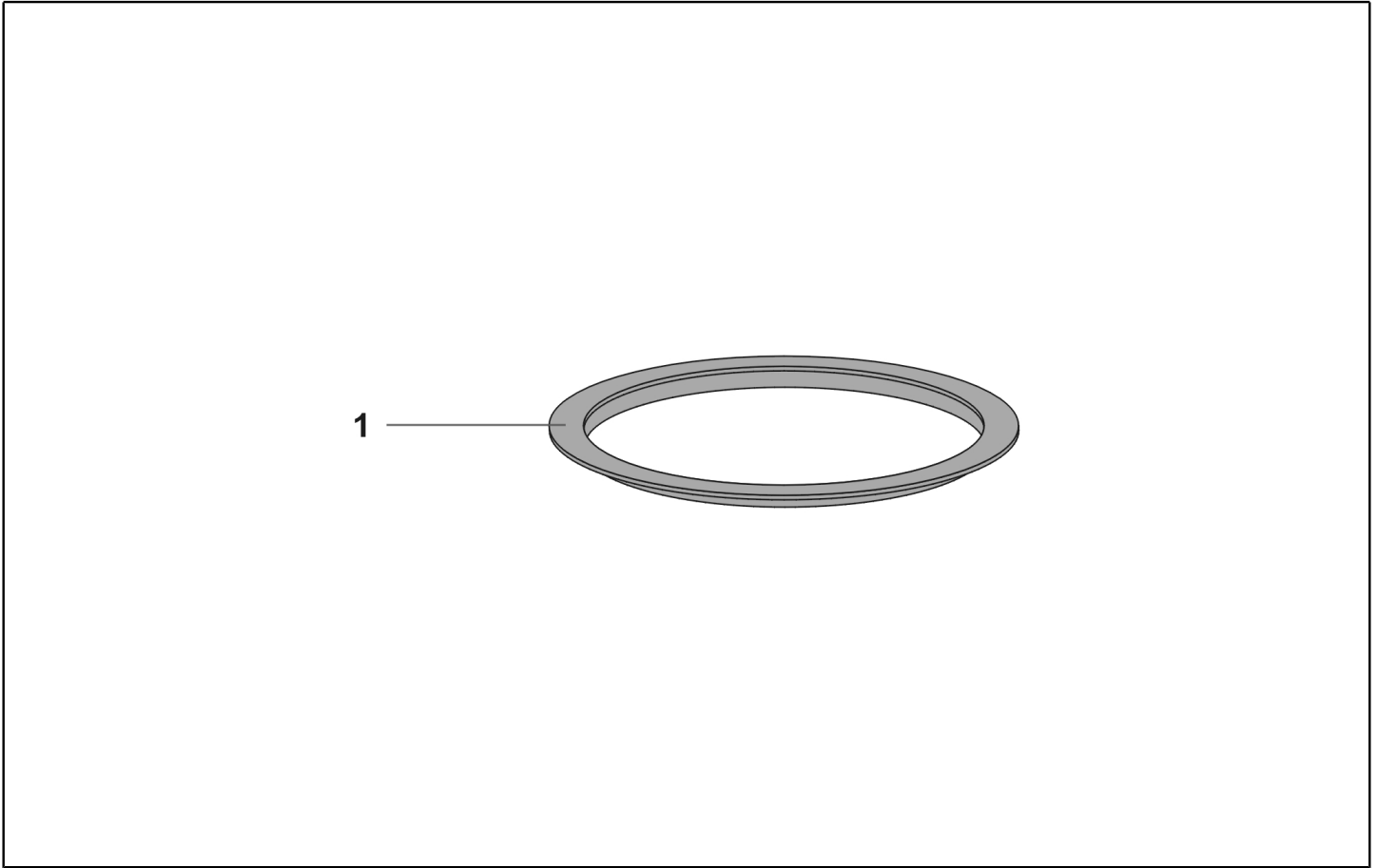
Ref. K	Part n.	Customer part n.	Description	Quantity	Validity		Price
					From	To	
0001	MPVR36522	00507	FILTER RING 500	1,00			--
0002	FTDP00451	00124 SAN	FILTER POLYESTER H=75 SAN	1,00			--
0003	MPVR28830	00122	BASKET FOR FILTER P.	1,00			--
0004	VTVT71971	01050	SCREW PAT TMT PHL 5X35 BLACK	4,00			--
0005	FTDP00481	01203/20	FILTER PPI/20 D.115	1,00			--
A	MPVR09568	03233 SAN	RING 500 W/POLY.FIL.H=75	1,00			--



Ref. K	Part n.	Customer part n.	Description	Quantity	Validity		Price
					From	To	
0001	PMVR06254		DRUM PL.200/16D NE	1,00			--
0002	MPVR09047	02652 ANEVE-IPC	PIPE UNION R155 BLACK C/PUL.GR-IPC	1,00			--
0003	GUGO28701	02846	GASKET D.38	1,00			--
0004	GUGO28736	02586NE	GASKET R 205 BLACK	1,00			--
0005	MPVR28696	02593	DEFLECTOR 99	1,00			--
0006	VTVT71966	01026	SCREW PAT TMT PHL 5X30 BLACK	4,00			--
0007	CHVR28735	01847/SNE	COMPLETE PLASTIC HOOK BLACK	2,00			--
0008	VTVR71992	01302	RIVET 4,8X17	4,00			--



Ref. K	Part n.	Customer part n.	Description	Quantity	Validity		Price
					From	To	
0001	E	MPVR40522	020744NE	TROLLEY TROLLEY BODY 500 VEGAS BL	1,00		--
0002	E	RTRT42006	00558	TROLLEY BOX WHEEL	2,00		--
0003	E	RTRT85778	06043	WHEEL BODY YES	2,00		--
0004	E	MPVR40523	06044NE	WHEEL COVERING YES BLACK	2,00		--
0005	E	VTVT71960	01005	SCREW PAT TMT PHL 5X14 ZN BLACK	4,00		--



Ref. K	Part n.	Customer part n.	Description	Quantity	Validity		Price
					From	To	
0001	MPVR36522	00507	FILTER RING 500	1,00			--
0001	MPVR36522	00507	FILTER RING 500	1,00			--