

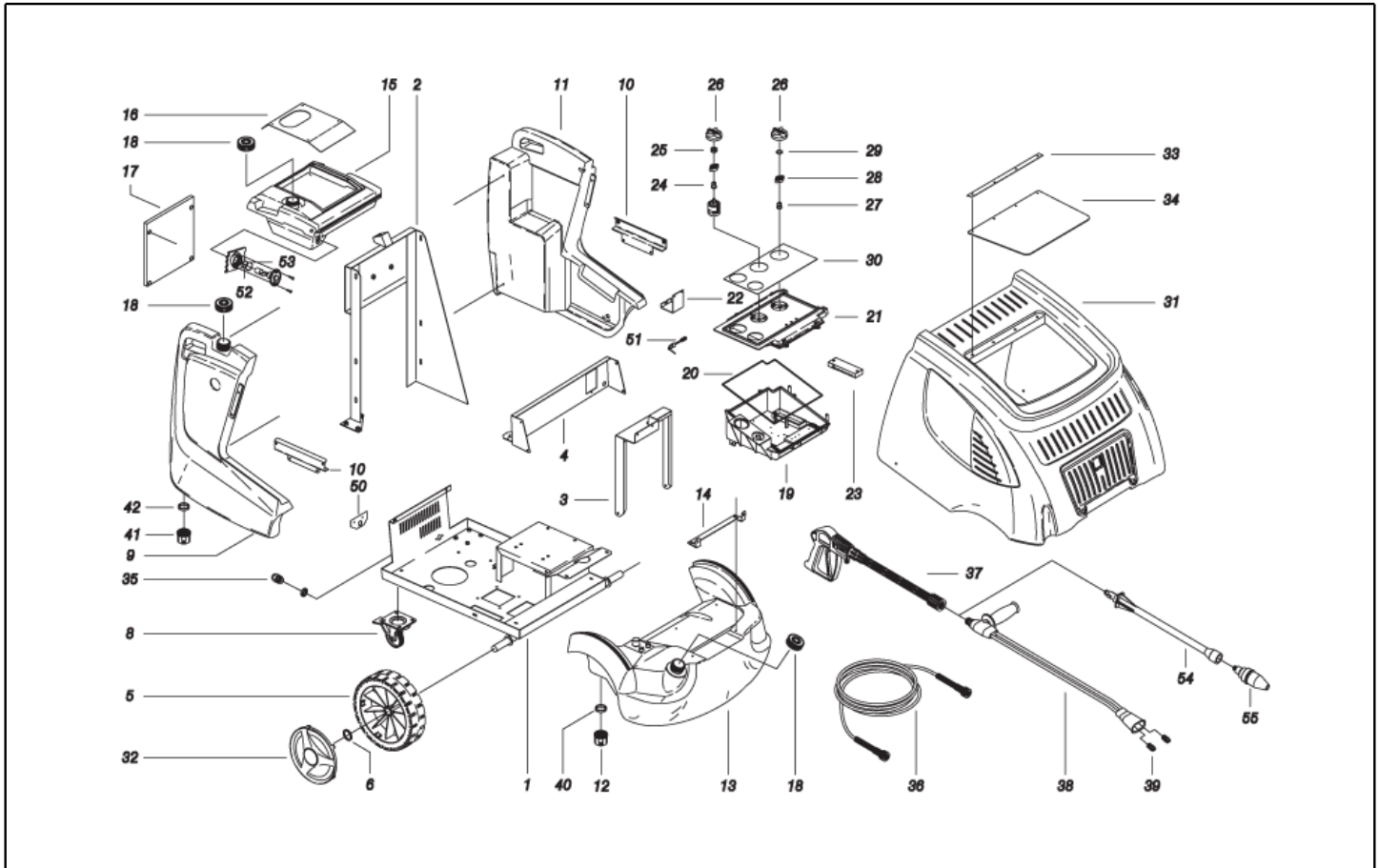


IPC

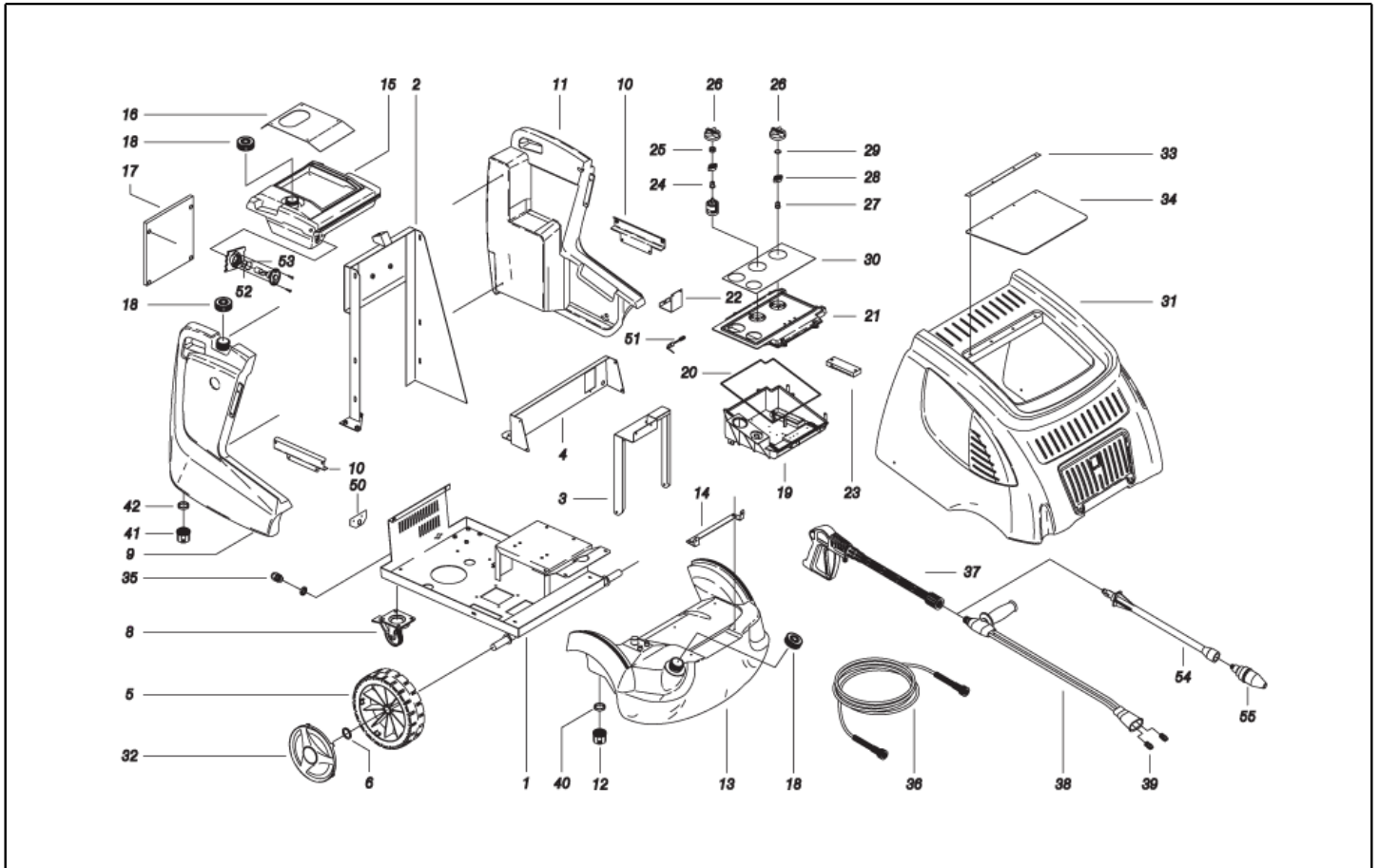
Spare parts list

Ref: IDAC40645

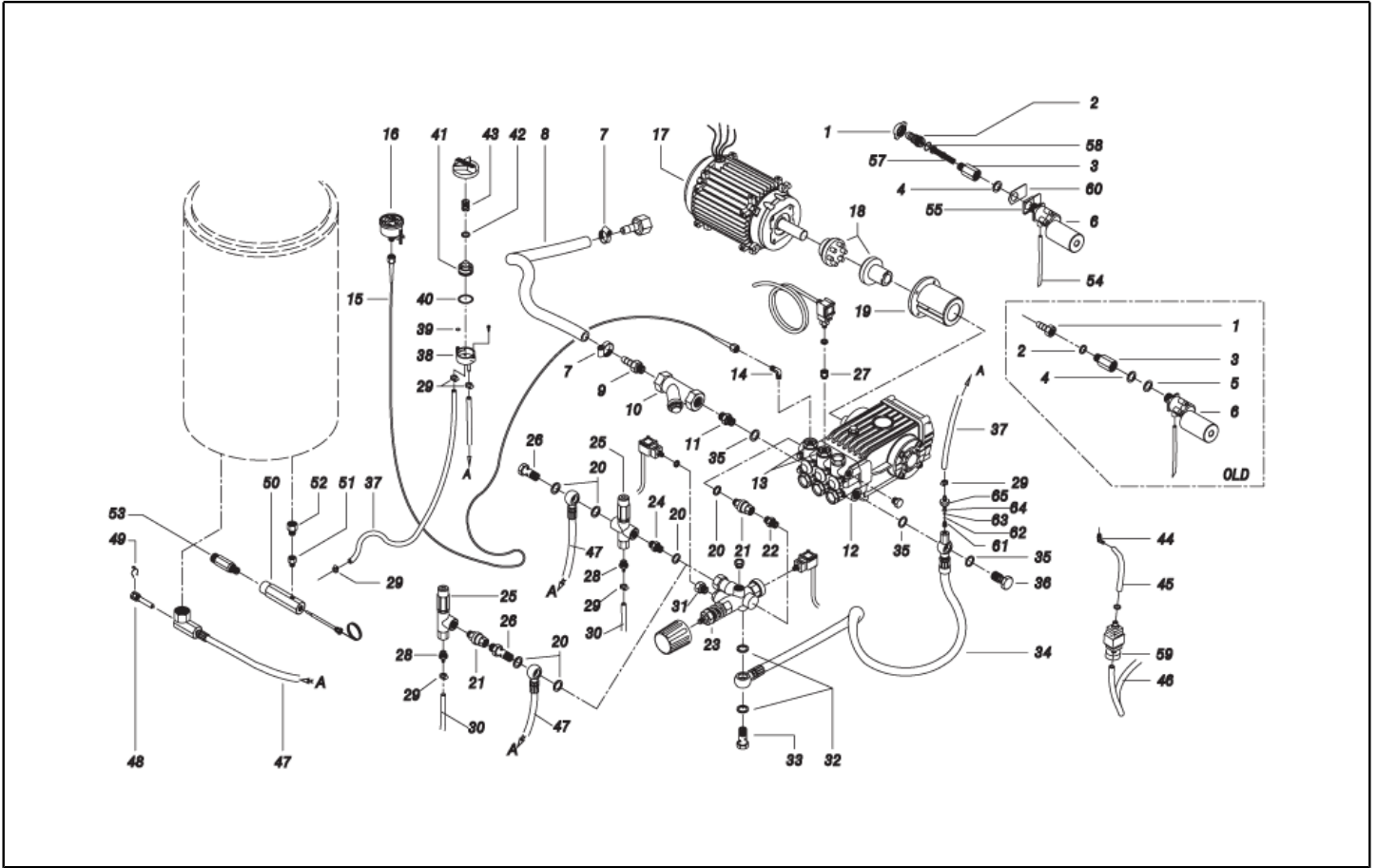
Model: H.P. CLEANER PW-H90S D1521P T400/50 IP



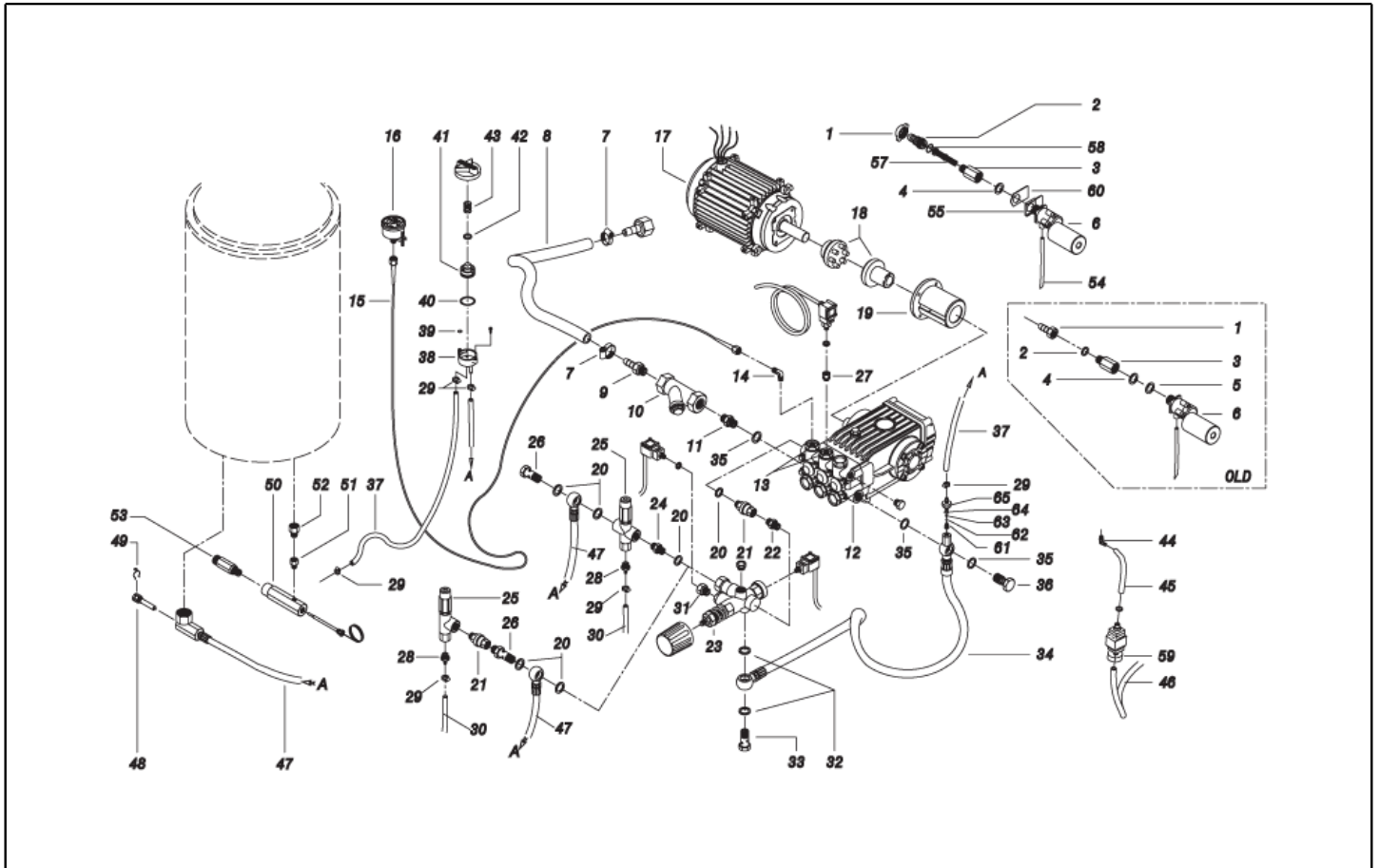
Ref. K	Part n.	Customer part n.	Description	Quantity	Validity		Price
					From	To	
0001	LAFN44276	00044276	CHASSIS P105	1,00			--
0002	LAFN44283	00044283	FRAME P105	1,00			--
0003	LAFN40062		SUPPORT P105-9HP	1,00			--
0004	LAFN40115		SUPPORT BRACKET P105 2V.	1,00			--
0005	RTRT45383	00045383	WHEEL D.305-D.25 RT-IPC	2,00			--
0006	VTRS09813	00009813	WASHER D.25	2,00			--
0008	RTRT07480	00007480	TURNING WHEEL D.125 P.MZ.PLS.	1,00			--
0008	RTRT13708	00013708	TURNING WHEEL D.125 P. MZ.PLS	1,00			--
0009	MPVR85023	00085023	TANK P105 PEHD	1,00		28/02/2005	--
0009	MPVR88966		TANK P105 C/F.SC. PEHD	1,00	01/03/2005		--
0010	LAFN45458	00045458	BRACKET P105 LAT.	1,00	08/01/2002		--
0011	MPVR85024	00085024	WATER TANK ADM	1,00			--
0012	RCDS72851	00072851	CAP 1/2"F NYL	1,00	17/01/2006		--
0012	RCDS72851	00072851	CAP 1/2"F NYL	1,00		16/01/2006	--
0013	MPVR40020		FUEL TANK P105-HPS 2V. PEHD	1,00	05/04/2007		--
0013	MPVR45301	00045301	FUEL TANK P105-HPS	1,00		04/04/2007	--
0014	LAFN45456	00045456	BRACKET P105 ANT.	1,00	08/01/2002		--
0015	MPVR40093		TANK P105 C/BC. PEHD	1,00	01/06/2008		--
0015	MPVR85026	00085026	TANK P105 PEHD	1,00		28/02/2005	--
0015	MPVR88967		TANK P105 C/F G.1/2 PEHD	1,00	01/03/2005	31/05/2008	--
0016	LAFN44264	00044264	PANEL P105-HPS INX	1,00			--
0018	MPVR40573	00040573	TANK CAP MHDS-SK	1,00			--
0019	MPVR33248	00033248	CONTROL BOX MISTRAL PP	1,00			--
0020	GUGO11309	00011309	JOINT MOUSSE D. 3	1,20			--
0021	MPVR40023		BOX COVER MISTRAL C/F.MN.BK	1,00			--
0022	LAFN34423	00034423	SUPPORT BRACKET MST.S-P	1,00			--
0023	MPVR33250	00033250	CABLE CLAMP COV MISTRAL	1,00			--
0024	MPVR23482	00023482	SWITCH TANG TEC. TUV	1,00			--
0025	GUGO23079	00023079	V-SEAL RING VA0014 13.5- 15.5	1,00			--
0026	MPVR49057	00049057	BLACK KNOB P176-M.RACE PA6	3,00			--
0027	MPVR23484	00023484	TAIL PIECE THERM.KSM TUV	1,00			--
0028	MPVR41903	00041903	THICKNESS TERM.IM.PA66	1,00			--
0029	GUGO25527	00025527	O-RING D. 14 X 3 NBR 70SH	1,00			--
0030	ETET40389		LABEL MST PR.II DS/V. PLC	1,00			--
0031	MPVR40280		GREEN COVER P105 C/TP. PPL GR.368C	1,00			--
0032	MPVR40292		HUB CAP D. 305 RT-PRT GR.368C	2,00			--
0033	LAFN45294	00045294	HOSE CLIP P105-HPS INX	1,00			--
0034	MPVR40283		DOOR P245 PPL GR.368C	1,00			--
0034	MPVR44347	00044347	PROTECTION P105-HPS PVC	1,00			--
0035	MEVR33994	00033994	CABLE FASTNER 4228 B D. 6- 18	1,00			--
0036	TBAP16656	00016656	H.P. HOSE R2 MT 15 5/16" IRV F-SWIV	1,00			--
0036	TBAP44379	00044379	H.P. HOSE R1 MT 20 5/16" C/2 IRV ZC	1,00			--
0037	IPPR40016		GRIP G 5000+P.330 +M22 SW.M V2	1,00			--
0038	LCPR12983	00012983	DOUBLE EXTENS. PD 70	1,00			--



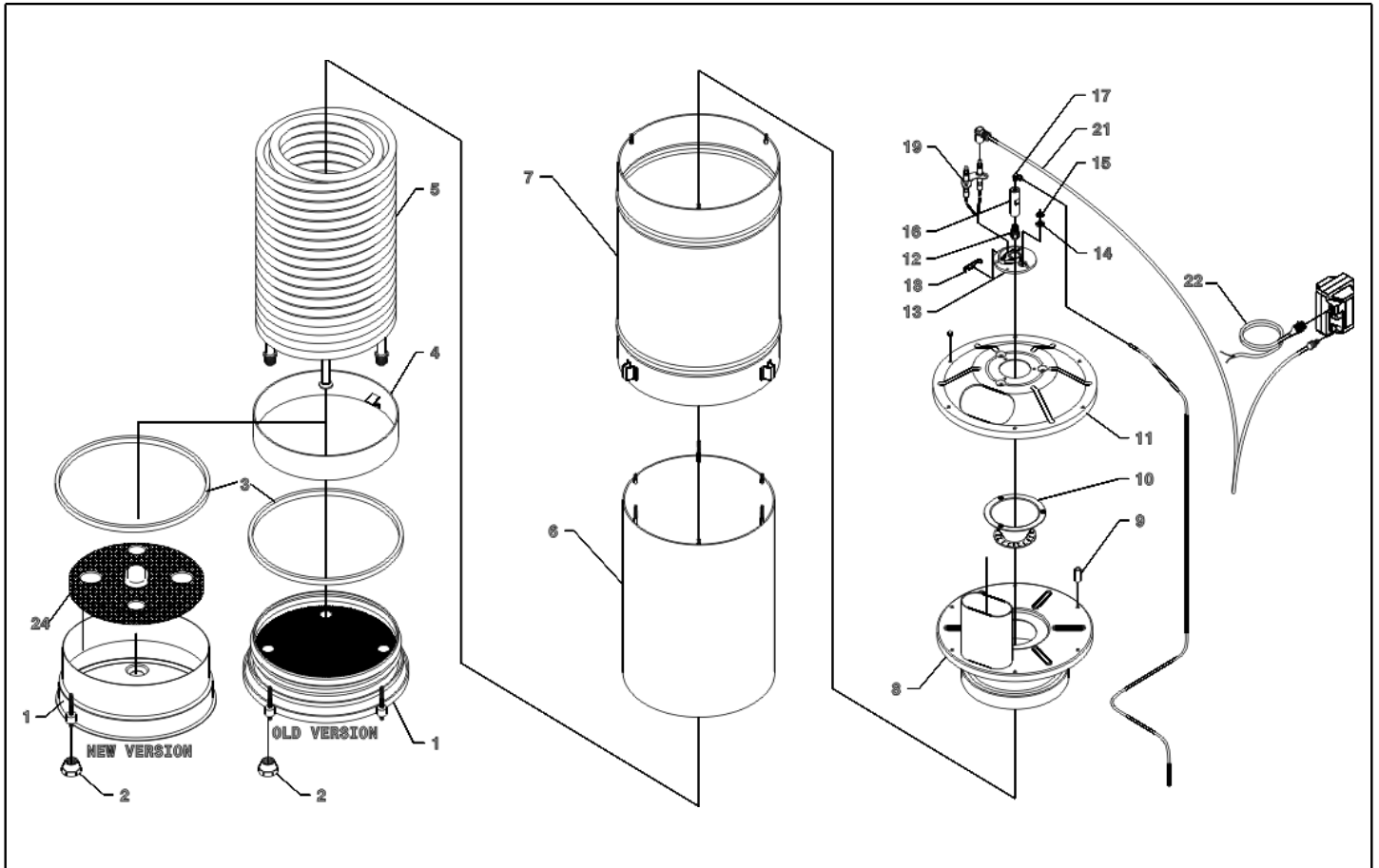
Ref. K	Part n.	Customer part n.	Description	Quantity	Validity		Price
					From	To	
0039	UGLN49997	00049997	NOZZLE LECH 1/4 25075	2,00	01/09/2006		--
0040	GUGO11489	00011489	GASKET D.22X1,5	1,00	01/03/2005		--
0041	PVVR11806	00011806	DISCHARGE CAP FLL	1,00	01/03/2005		--
0050	LAFN40006		SUPPORT P105 2V. BK	1,00			--
0051	MEVR27264	00027264	FUSE-HOLDER 031-1081	3,00			--
0052	GUGO01056	00001056	O-RING D. 18.72 X 2.62 NBR 70SH	1,00			--
0053	GUGO01197	00001197	O-RING D. 22.22 X 2.62 NBR 70SH	1,00			--
0055	LCTE40016		HEAD TPR35 1/4F 070 Gr	1,00			--
0064	LCPR40105		EXTENSION P 70 - TURBO TPR35 070	1,00			--
9999	KTRI86962	00086962	KIT S 35-12 ROLLER 20 NR HD	1,00			--



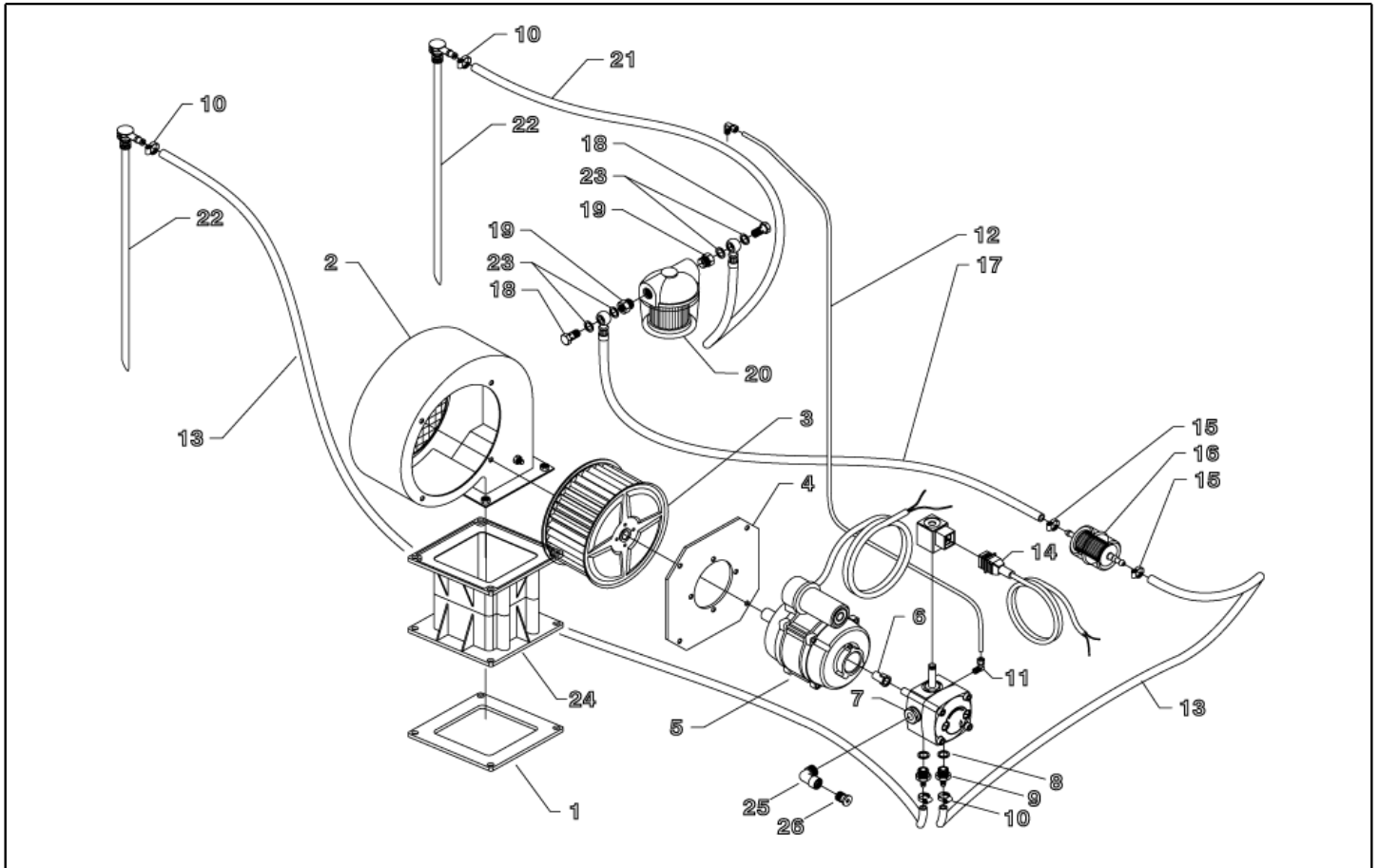
Ref. K	Part n.	Customer part n.	Description	Quantity	Validity		Price
					From	To	
0001	RCVR29600	00029600	SOCKET PTC 3/4 F	1,00		26/09/2002	--
0001	RCDS09316	00009316	CONNECTION G. 3/4	1,00			--
0002	GUGO42220	00042220	GASKET D. 3/4" X2	1,00		26/09/2002	--
0002	RCDS08965	00008965	HOSE FITTING OTT.	1,00			--
0003	RCDS45082	00045082	SLEEVE 3/4 M/F D.12-32 L.32 OT	1,00		26/09/2002	--
0003	RCDS47453	00047453	SLEEVE 3/4 M/F PTG. OT	1,00	27/09/2002	31/08/2004	--
0003	RCDS88499		SLEEVE 3/4 M/F PTG. L.68 OT	1,00	01/09/2004		--
0004	GUGO43071	00043071	GASKET D. 14- 24 X 4 70SH	1,00			--
0006	RCGR39997	00039997	FLOATER MTM 3/4G M 10BAR	1,00		26/09/2002	--
0006	RCGR60703	00060703	FLOATER MTM 3/4 PP. S/F.	1,00	27/09/2002		--
0007	FSVR00431	00000431	CLAMP D. 16-25	1,00			--
0008	TBBP15656	00015656	L.P. HOSE D.16-26 20BAR	0,60			--
0009	RCDS45366	00045366	HOSE FITTING 3/4 M D.13-16 OT	1,00			--
0010	FTAC33904	00033904	FILTER 3/4 F/F 2.VERS.	1,00			--
0011	RCDS00602	00000602	NIPPLE 3/4 - 1/2 CN D.13.5	1,00			--
0012	PPAP40082		PUMP RK 20.19 SX NC 21LT.	1,00			--
0014	RCDS00607	00000607	NIPPLE 1/4 - 1/4 SV	1,00			--
0015	TBAP40005		POLYAMIDE HOSE L=630 1/4 F-F P.MAN.	1,00			--
0016	MNMN49621	00049621	PRESSURE GAUGE 0-250 D.50 INOX	1,00			--
0017	MOTR40001		3PH MOTOR B3-B14 HP 7,5 23/400-50 C	1,00			--
0018	FGGT88467		FLEX. COUPLING P105 HP 9.0 CPL.	1,00			--
0019	MFVR89552		FLANGE MOTOR H 112 B14-P237 9HP	1,00			--
0020	VTRS12492	00012492	WASHER 3/8	2,00			--
0021	RCVR00563	00000563	SWIVEL RACCORD 3/8 M/F	1,00			--
0022	RCDS00610	00000610	NIPPLE 3/8 - 3/8 SV	1,00			--
0023	VVAZ40027		VALVE VRT3 3/8F 25MPa +PP1/4F	1,00			--
0024	RCDS11778	00011778	SCREW G 3/8 + 3/8M	1,00			--
0025	VVSC21627	00021627	VALVE VS 220 G3/8	1,00		19/06/2010	--
0025	VVSC40005		VALVE MR 401 G3/8	1,00	20/06/2010		--
0027	VTRS40960	00040960	WASHER D.13.5X19 X4 AL.	1,00			--
0028	RCDS03514	00003514	HOSE FITTING 3/8 M D. 5- 7	1,00			--
0029	FSVR00427	00000427	CLAMP D. 12 CLIC 66-110	1,00			--
0030	TBBP04917	00004917	L.P. HOSE D. 6- 9	0,60		30/04/2012	--
0030	TBBP93804		L.P. HOSE D. 6- 9	0,60	01/05/2012		--
0031	RCVR00644	00000644	REDUCTION 1/4-1/8 M/F	1,00			--
0033	RCDS01371	00001371	SCREW G 3/8 A.P.	1,00			--
0034	TBBP47907	00047907	BY-PASS HOSE L=390 1/2+C.VL.-3/8OC 90°	1,00			--
0035	VTRS12491	00012491	WASHER 1/2	2,00			--
0036	RCDS33982	00033982	SCREW 1/2 C/SC. L=41.5 D.13.5	1,00			--
0037	TBBP00051	00000051	DETERGENT HOSE D. 6-12	0,90			--
0038	RCGR08069	00008069	TAP BODY DET. PRT	1,00			--
0039	GUGO08071	00008071	O-RING D. 4.48 X 1.78 NBR 70SH	1,00			--
0040	GUGO12183	00012183	O-RING D. 23.4 X 3.53 VIT 70SH	1,00			--
0041	RCGR08070	00008070	ADJUSTER PRT	1,00			--



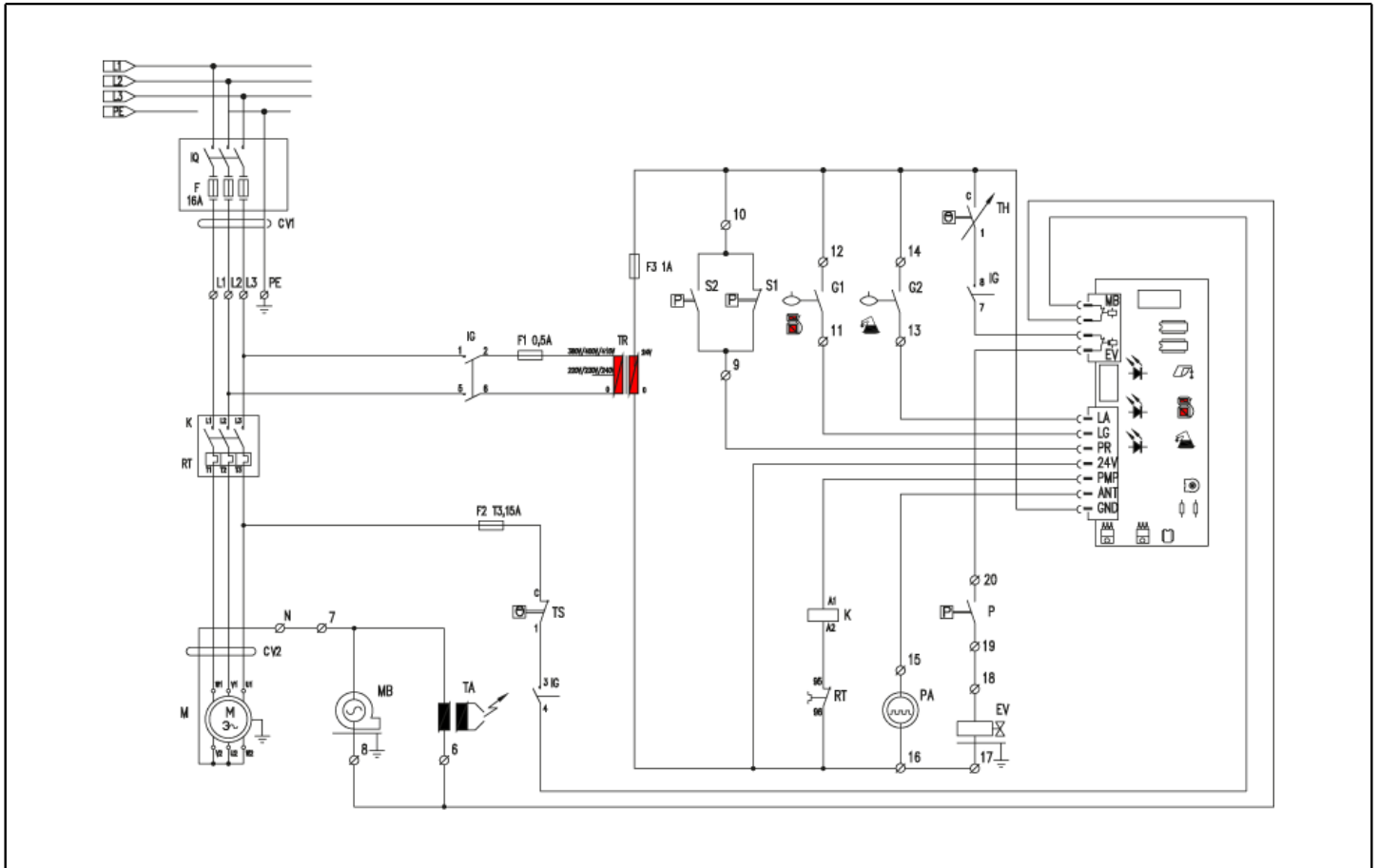
Ref. K	Part n.	Customer part n.	Description	Quantity	Validity		Price
					From	To	
0042	VTRS00542	00000542	WASHER D.14X20	1,00			--
0043	MLML08068	00008068	SPRING D.1,5 L.23	1,00			--
0046	TBBP00058	00000058	L.P. HOSE D. 4- 7	0,40	01/06/2008		--
0046	TBBP00058	00000058	L.P. HOSE D. 4- 7	0,50			--
0047	TBAP44709	00044709	HOSE-FITTING 3/ 8 R2 L=710 3/8O-1/2PMG	1,00			--
0048	RCDS00593	00000593	SUMP IM 0-120 L=50	1,00			--
0049	MLML02623	00002623	SPRING IMT	1,00			--
0050	RCDS19322	00019322	BLOC BODY 3/8F-M14	1,00			--
0051	VTDD19324	00019324	NUT G 1/2	1,00			--
0052	RCDS19326	00019326	CONNECTOR M 14	1,00			--
0053	RCDS44542	00044542	CONNECTOR M22 M -3/8M L=100 OT.	1,00			--
0054	TBBP17436	00017436	L.P. HOSE D.12-14 RILSAN NT.	0,15	27/09/2002		--
0055	LAFN47452	00047452	BRACKET P105 INX	1,00	27/09/2002	31/08/2004	--
0055	LAFN88500		BRACKET P105 INT. INX	1,00	01/09/2004		--
0057	FTAC09717	00009717	FILTER D.15X37	1,00			--
0058	GUGO01054	00001054	O-RING D. 15.08 X 2.62 NBR 70SH	1,00			--
0060	LAFN88501		BRACKET P105 EST. INX	1,00	01/09/2004		--
0061	MLML21505	00021505	SPRING D. 8 X5 X0.3	1,00			--
0062	SFVR04274	00004274	BALL D. 7/32	1,00			--
0063	GUGO01055	00001055	O-RING D. 5.28 X 1.78 VIT 70SH	1,00			--
0064	GUGO01036	00001036	O-RING D. 10.82 X 1.78 NBR 70SH	1,00			--
0065	RCDS10546	00010546	VALVE SEAT 1/4M + PG. D.3-7.5 OTT	1,00			--



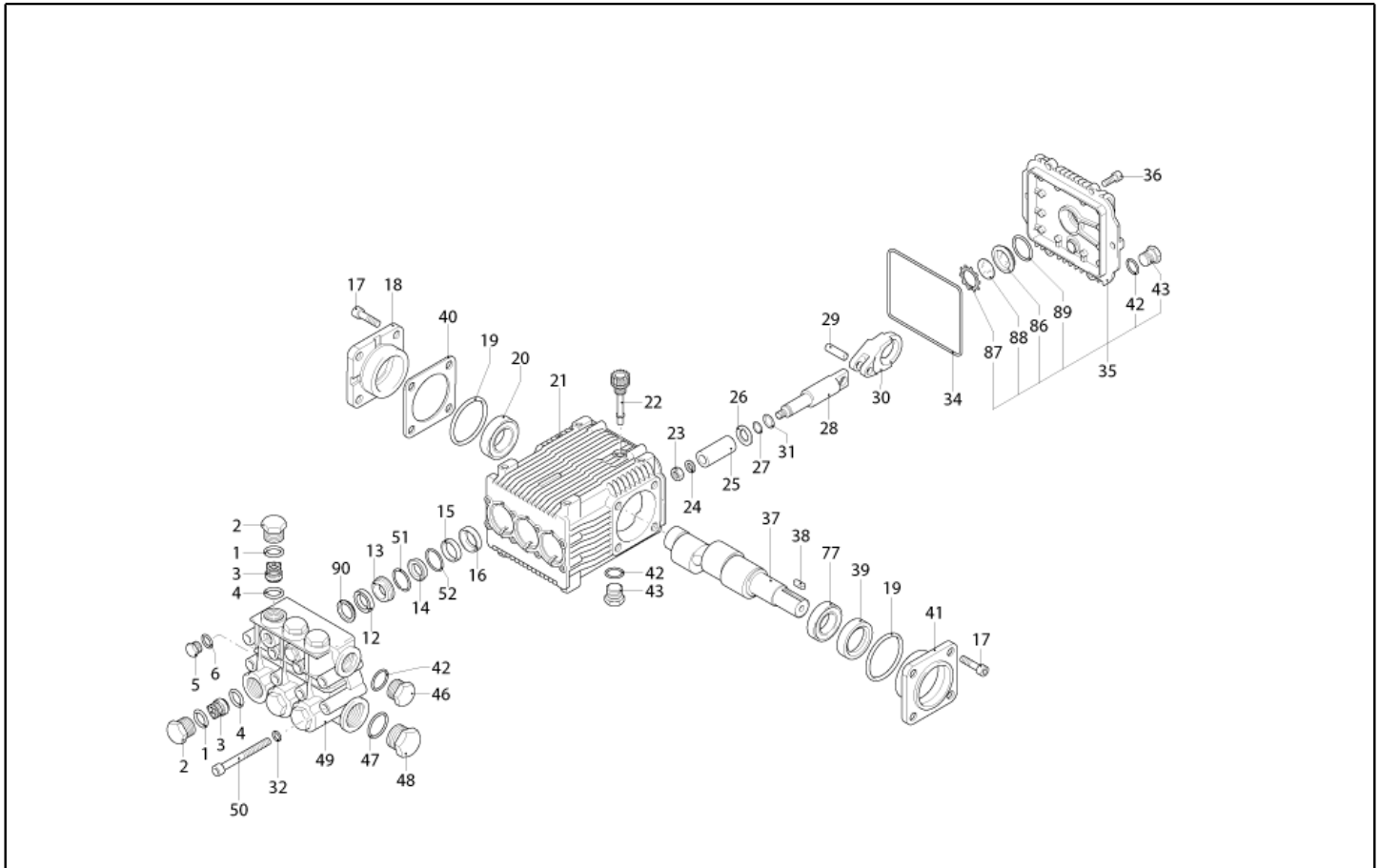
Ref. K	Part n.	Customer part n.	Description	Quantity	Validity		Price
					From	To	
0001	LAFN12715	00012715	BOILER BOTTOM FUT	1,00		09/03/2008	--
0001	LAFN40038		BOILER BOTTOM FUT. 2V. BK	1,00	10/03/2008		--
0002	RCDS00561	0000561	RING NUT 1/2 OTT	2,00			--
0003	GUVR35205	00035205	GASKET D. 7 FIB.	1,02	28/02/1996		--
0004	LAFN11708	00011708	METAL STRIP FUT	1,00		09/03/2008	--
0005	LAFN06312	00006312	DOUBLE COIL 3/8 J.FUT G	1,00			--
0006	LAFN08244	00008244	INT. CYLINDER J.FUT INX	1,00		09/03/2008	--
0006	LAFN40076		INT. CYLINDER J.FUT 2V.INX	1,00	10/03/2008		--
0007	LAFN08242	00008242	EXT. CYLINDER J.FUT INX	1,00			--
0008	LAFN08072	00008072	BOILER COVER SI FUT INX	1,00			--
0009	LAFN09096	00009096	SPACER 10X28,5	3,00			--
0010	LAFN08042	00008042	BAFFLE FUT	1,00			--
0011	LAFN07676	00007676	BOILER COVER SE FUT INX	1,00			--
0012	UGBR31344	00031344	BURNER NOZZLE 1.75 60 S	1,00			--
0013	MFVR18226	00018226	ELECTR.HOLDER FUT 3°V	1,00			--
0014	MPVR18228	00018228	OIL WARN-LIGHT D.17 X3	1,00			--
0015	VTAE22633	00022633	SEEGER 0.4 X18,30X10,5	1,00			--
0016	RCDS07642	00007642	NOZZLE HOLDER FUT	1,00			--
0017	RCVR08954	00008954	ELBOW 1/8"-4 B5	1,00	01/03/2015		--
0017	RCVR08954	00008954	ELBOW 1/8"-4 B5	1,00		30/06/2013	--
0017	RCVR14014	00014014	BI-CONE CONNEC. DTT 1/8" M B1 D. 2/ 4 NIK	1,00	01/07/2013	31/10/2013	--
0017	RCVR72867		CONNECTOR A "T" 1/8" FFM	1,00	01/07/2013	31/10/2013	--
0017	RCVR40126		BI-CONE CONNEC. T 1/8" M/F D. 4/ 6C NK.	1,00	01/11/2013	28/02/2015	--
0017	RCVR89230		CAP G 1/8 M C/O-RING.	1,00	01/07/2013	28/02/2015	--
0018	LAFN07641	00007641	PLATE INX	1,00			--
0019	MECA12525	00012525	ELECTRODE FUT	1,00			--
0020	VTDD05907	00005907	NUT M 6 CIE.	6,00			--
0021	MECV35335	00035335	CABLE A.T. 9.8-23KOHM/M L= 500P	2,00			--
0022	MECB34463	00034463	CABLE BT L=800 SP. FD	1,00			--
0024	ITTE48421	00048421	BOTTOM FUT C.TE	1,00	10/03/2008		--



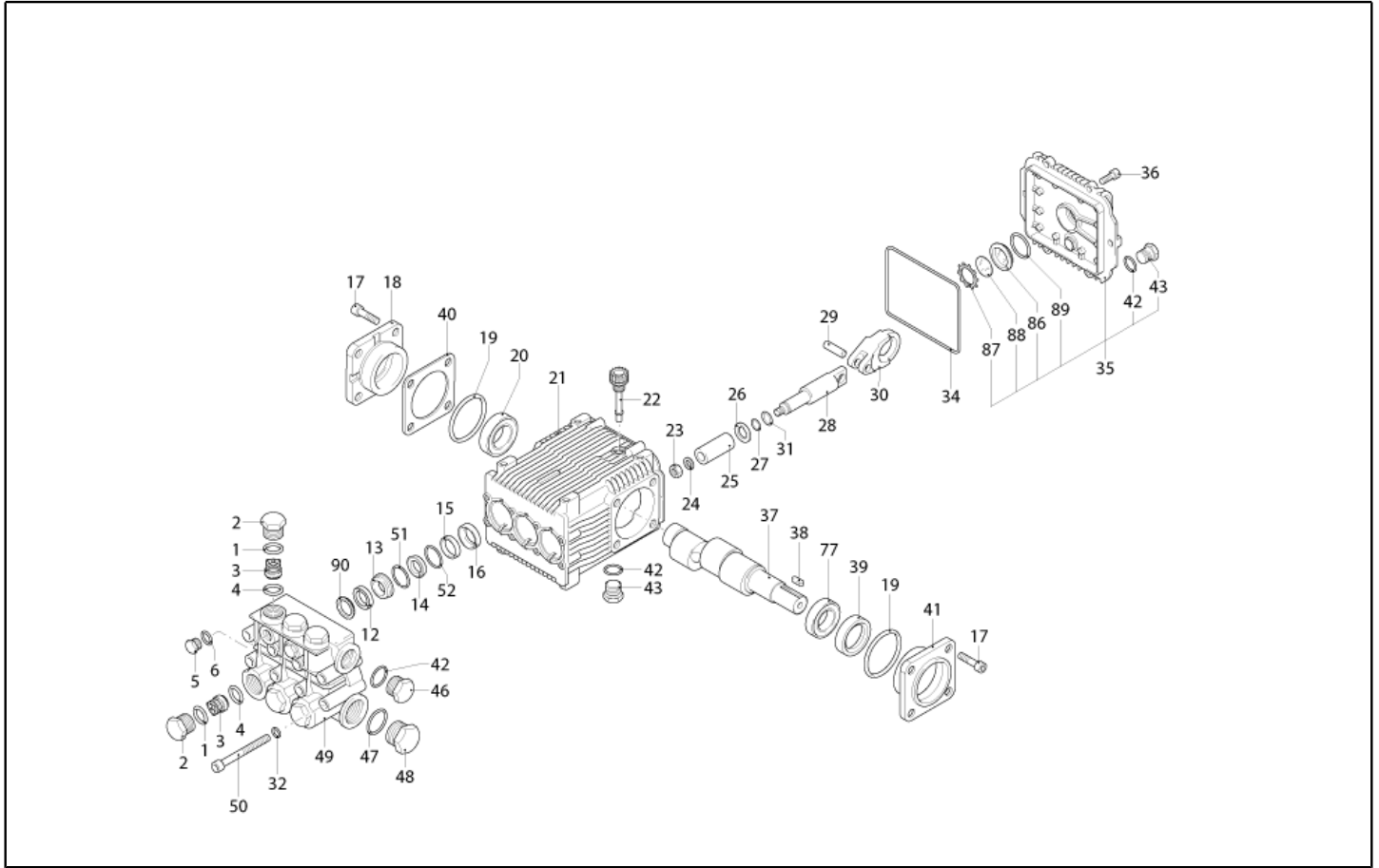
Ref. K	Part n.	Customer part n.	Description	Quantity	Validity		Price
					From	To	
0001	GUGO11214	00011214	GASKET FLL	1,00		14/05/2007	--
0001	GUGO40003		GASKET CB4	1,00	15/05/2007		--
0002	LAFN44325	00044325	SCROLL CB4 -P105	1,00		14/05/2007	--
0002	MPVR40010		SCROLL CB4 -2PZ.CP	1,00	15/05/2007		--
0003	VEVR34275	00034275	IMPELLER D.160-80 D.12.7 36P B.SX	1,00			--
0004	LAFN10272	00010272	MOTOR PLATE CB 3	1,00			--
0005	MOMB34119	00034119	BURNER MOTOR 230-50 IP44 150W A.OR	1,00			--
0006	KTRI36516	00036516	KIT P 18- 9	1,00			--
0007	FTCO88927		FUEL FILTER S.AL	1,00	01/01/2005		--
0007	PPGS27370	00027370	FUEL PUMP DLT VM1LR25	1,00		31/12/2004	--
0007	PPGS40005		FUEL PUMP DNF BFA 01L3R2	1,00	01/05/2008		--
0007	PPGS88592		FUEL PUMP DLT ALLUM. A1L2	1,00	01/01/2005	30/04/2008	--
0008	VTRS04931	00004931	WASHER COPPER D.13X19X1.5	2,00			--
0009	RCDS00626	00000626	HOSE FITTING 1/4 M D. 5- 7	2,00			--
0010	FSVR00427	00000427	CLAMP D. 12 CLIC 66-110	2,00			--
0011	RCVR08954	00008954	ELBOW 1/8"-4 B5	1,00			--
0012	TBCO40038		DIESEL HOSE P105 40MT D. 4 IX	1,00	20/07/2014		--
0012	TBCO45038	00045038	DIESEL HOSE P105 40MT D. 4	1,00		19/07/2014	--
0013	TBCO06945	00006945	L.P. HOSE D. 6-12 10BAR C.PRESS	0,20			--
0013	TBCO06945	00006945	L.P. HOSE D. 6-12 10BAR C.PRESS	0,30	01/05/2008		--
0013	TBCO06945	00006945	L.P. HOSE D. 6-12 10BAR C.PRESS	0,41		30/04/2008	--
0013	TBCO06945	00006945	L.P. HOSE D. 6-12 10BAR C.PRESS	0,50	01/05/2008		--
0013	TBCO06945	00006945	L.P. HOSE D. 6-12 10BAR C.PRESS	0,41		30/04/2008	--
0014	MECB18118	00018118	CABLE DLT L=1.600	1,00		31/10/2010	--
0014	MECB46130	00046130	CABLE DLT L=1100	1,00	01/11/2010		--
0015	FSVR11197	00011197	CLAMP D.I. 11 13315	1,00			--
0016	FTCO34840	00034840	FUEL FILTER FB 7/A NYL.	1,00		07/04/2010	--
0016	FTCO40003		FUEL FILTER FB 7/TA 60mc NYL.	1,00	08/04/2010		--
0020	FTCO30578		FUEL FILTER 3/8 0.1-SP	1,00			--
0022	RCDS20136	00020136	SUCTION L= 355 C.	2,00		18/01/2002	--
0022	RCDS46247	00046247	SUCTION L=213 CPL	2,00			--
0024	MPVR40012		CONVEYOR CB4-P105 2PZ.CP.	1,00	15/05/2007		--
0025	RCVR34780	00034780	ELBOW 1/8" M/F A10	1,00	01/03/2015		--
0026	RCVR89230		CAP G 1/8 M C/O-RING.	1,00	01/03/2015		--



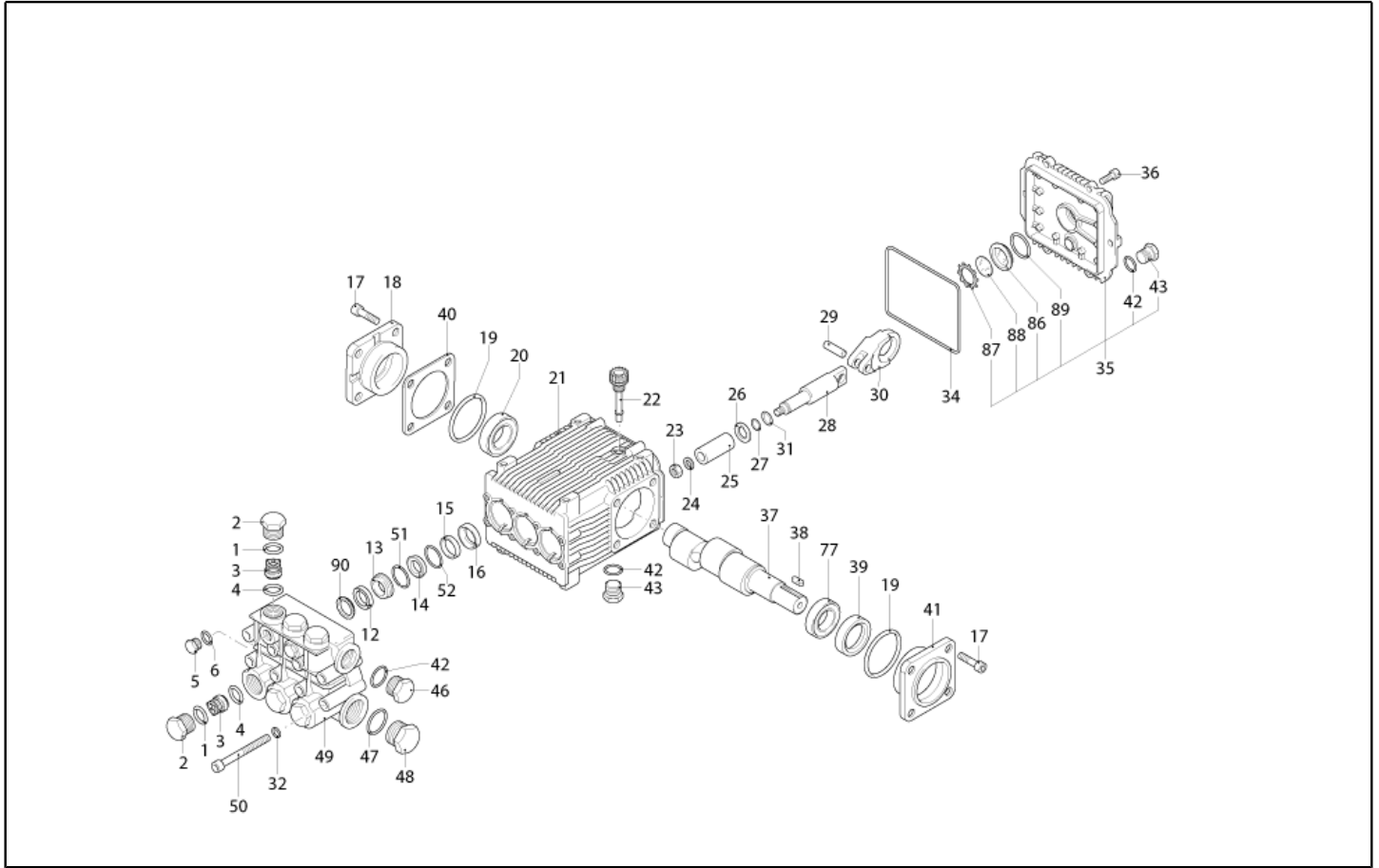
Ref. K	Part n.	Customer part n.	Description	Quantity	Validity		Price
					From	To	
K	METT41888	00041888	CONTACT SIE N.A. 3RH19 21-1EA11	1,00		31/01/2010	--
K	METT40014		CONTACTOR SIE 3RT 2018-1AB01 24V	1,00	05/09/2014		--
K	METT45025	00045025	CONTACTOR SIE 3RT 1024 1AC20 24V	1,00		04/09/2014	--
P	MEPF39902	00039902	PRESSURE SWITCH MTM 1/4M NA/NC 25B. MICRO	1,00		31/05/2012	--
P	MEPF76254	00076254	PRESSURE SWITCH PR 5 1/4M 25BAR	1,00	01/06/2012		--
EC	MECE40004		PCB P245 T-ST/MP/L. 2V. S30*3"	1,00	01/02/2010		--
EC	MECE89083		PCB P105 T-ST/MP/LIV. S30*3"	1,00		31/01/2010	--
EV	MEBE43704	00043704	COIL DNF 24-50	1,00			--
F1	MEVR09010	00009010	FUSE 5X20 0,5A	1,00			--
F2	MEVR00237	00000237	FUSE 5X20 3,15A	1,00			--
F3	MEVR02824	00002824	FUSE 5X20 1A	1,00			--
G1	MECI40005		SWITCH REED N.C.H215 FST+OR	1,00	15/01/2008		--
G2	MECI40001		SWITCH REED N.A.H215 FST+OR	1,00	05/04/2007	14/01/2008	--
G2	MECI40006		SENSOR LEVEL S1.PML.XD.FPJ FST.	1,00			--
IG	MECI40017		COMMUTAT.SWITCH 0-1-2 UN.	1,00	15/01/2011		--
IG	MECI40544	00040544	COMMUTAT.SWITCH 0-1-2 HD12H022-R000	1,00		14/01/2011	--
PA	MEPD45940	00045940	DESCALING PUMP NME 1 24V 50/60HZ	1,00			--
RT	METT40035		THERMAL RELAY SIE 3RU2116-4AB0 11-16 A	1,00	05/09/2014		--
RT	METT45026	00045026	THERMAL RELAY SIE 3RU1126-4AB0 11-16 A	1,00		04/09/2014	--
S1	MEPF39741	00039741	PRESSURE SWITCH MTM 1/8M NA/NC 25B. MICRO	1,00		31/05/2012	--
S1	MEPF40014		PRESSURE SWITCH PR 5 1/8M 25BAR RD.	1,00	01/06/2012		--
S2	MEPF40009		PRESSURE SWITCH PR 5 3/8M 25BAR	1,00	01/06/2012		--
S2	MEPF45229	00045229	PRESSURE SWITCH MTM 3/8M NA/NC 25B. MICR	1,00		31/05/2012	--
TA	METR88630		TRANSFORMER 23/240V-5/60HZ 2X26KV TR.	1,00			--
TH	METK19354	00019354	THERMOSTAT 0-150° L=1500	1,00		14/12/2010	--
TH	METK40006		THERMOSTAT 0-150° L=1500 S&R	1,00	15/12/2010	31/12/2012	--
TH	METK40011		THERMOSTAT 0-150° L=1500 F&C	1,00	01/01/2013		--
TR	METR40003		TRANSFORMER 35VA 230-400/24 5/60HZ PM	1,00			--
TS	METK34839	00034839	THERMOSTAT 60°C TR/711-N C.1.5	1,00			--
CV1	MECB17414	00017414	CABLE H07 RNF 4X2.5 L=6.500	1,00			--



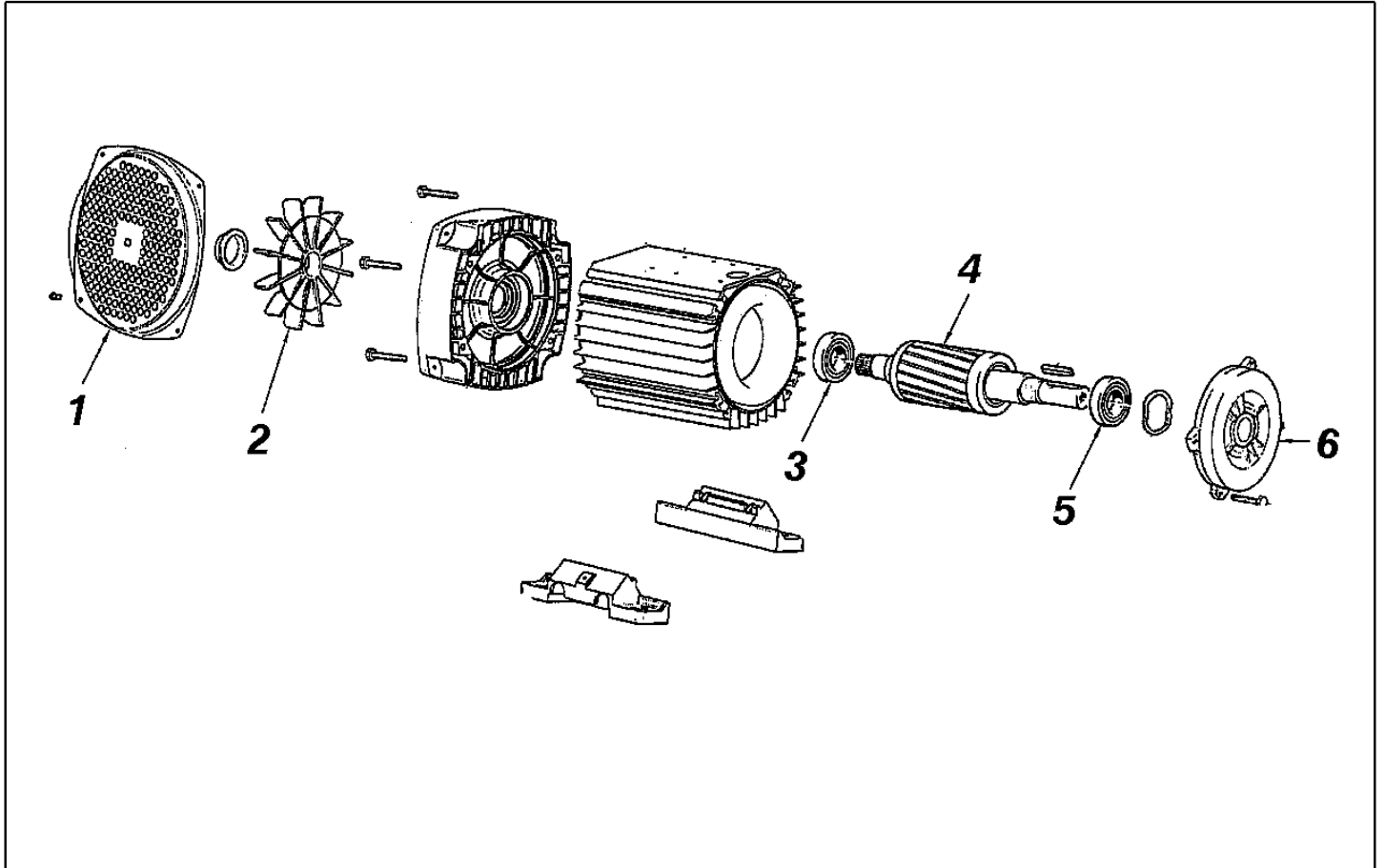
Ref. K	Part n.	Customer part n.	Description	Quantity	Validity		Price
					From	To	
0001	GUGO03502	00003502	O-RING D. 17.86 X 2.62 NBR 70SH	6,00			--
0002	PVVR40161		CAP AR RR	6,00			--
0003	S VVAM40003		VALVE UNIT RR	6,00			--
0004	S GUGO02259	00002259	O-RING D. 15.54 X 2.62 NBR 70SH	6,00			--
0005	PVVR40129		CAP 1/4 M RC	2,00			--
0006	GUGO01036	00001036	O-RING D. 10.82 X 1.78 NBR 70SH	2,00			--
0012	S GUVR40051		PACKING D. 22 RK W1	3,00			--
0013	PVVR40212		INTERMED. RING D.22 RK	3,00			--
0014	S GUVR40050		PACKING D. 22 RK W2	3,00			--
0015	PVVR40210		SPACER D. 35 RK	3,00			--
0016	S GUGO40022		OIL SEAL RK	3,00			--
0017	VTVT01118	00001118	SCREW TCEI M 8X16 ZC. UNI 5931	8,00			--
0018	MFVR40038		CRANKASE COVER AR RK LT.	1,00			--
0019	S GUGO01053	00001053	O-RING D. 60 X 2.62 NBR 70SH	2,00			--
0020	CUVR40011		BEARING 30304 DQ	1,00			--
0021	MFVR40039		PUMP CRANKCASE AR RK	1,00			--
0022	PVVR19231	00019231	OIL CAP XTS	1,00			--
0023	VTDD00483	00000483	NUT M 8 ZIN UNI 5588	3,00			--
0024	VTRS19394	00019394	WASHER D. 8X13X0.5	3,00			--
0025	S PIVR40009		PISTON D.22X40 RK	3,00			--
0026	PVVR40218		DISC RK	3,00			--
0027	GUGO08071	00008071	O-RING D. 4.48 X 1.78 NBR 70SH	3,00			--
0028	PVVR40217		PISTON GUIDE RK	3,00			--
0029	PVVR40211		GUDGEON D. 10X25 RK	3,00			--
0030	BLVR40005		CONNECTING ROD RK	3,00			--
0031	GUVR40044		ANTI-EXTR.RING D. 5 X 8 X1	3,00			--
0032	VTRS00504	00000504	WASHER D. 8 TE ZC. UNI 6592	8,00			--
0034	S GUGO40023		O-RING D. 106 X 3 NBR 70SH	1,00			--
0035	MFVR40041		CRANKASE COVER AR RK	1,00			--
0036	VTVT01114	00001114	SCREW TCEI 6X14 UNI 5931	6,00			--
0037	ALMO40018		SHAFT AR RK20.19 NB	1,00			--
0038	VTVR41531	00041531	KEY 8X 7X35 UNI 6604A	1,00			--
0039	S GUGO01245	00001245	OIL SEAL 25X 45X10-L-CM -NBR70	1,00			--
0040	PVVR40214		THICKNESS AR 0.20 mm	1,00			--
0041	MFVR40040		CRANKASE COVER AR RK LAT. OPEN	1,00			--
0042	GUGO09720	00009720	O-RING D. 14 X 1.78 NBR 70SH	3,00			--
0043	PVVR40099		CAP 3/8 M HRM	1,00			--
0046	PVVR40099		CAP 3/8 M HRM	1,00			--
0047	GUGO19245	00019245	O-RING D. 17.5 X 2 NBR 70SH	1,00			--
0048	PVVR40121		CAP 1/2 M RC	1,00			--
0049	MFVR40042		HEAD AR RK OT.	1,00			--
0050	VTVT37530	00037530	SCREW TCEI M 8X70 UNI 5931	8,00			--
0051	S GUGO10379	00010379	O-RING D. 22 X 2 NBR 70SH	3,00			--
0052	S GUGO40024		O-RING D. 28.25 X 1.78 NBR 70SH	3,00			--



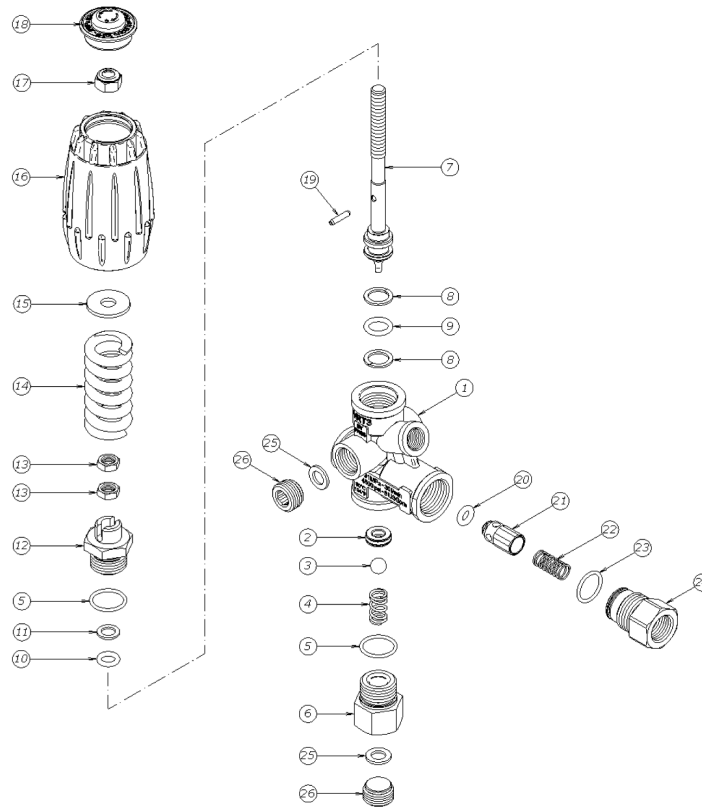
Ref. K	Part n.	Customer part n.	Description	Quantity	Validity		Price
					From	To	
0077	CUVR66788		BEARING D.25X52X16,25 30205 SKF	1,00			--
0086	PVVR19238	00019238	OIL INDICATOR XTS	1,00			--
0087	VTAE19239	00019239	SEEGER 0,5 X25,35X16,0	1,00			--
0088	PVVR40199		DISC CONTRASTO POMPA RW	1,00			--
0089	GUGO19395	00019395	O-RING D. 20.24 X 2.62 NBR 70SH	1,00			--



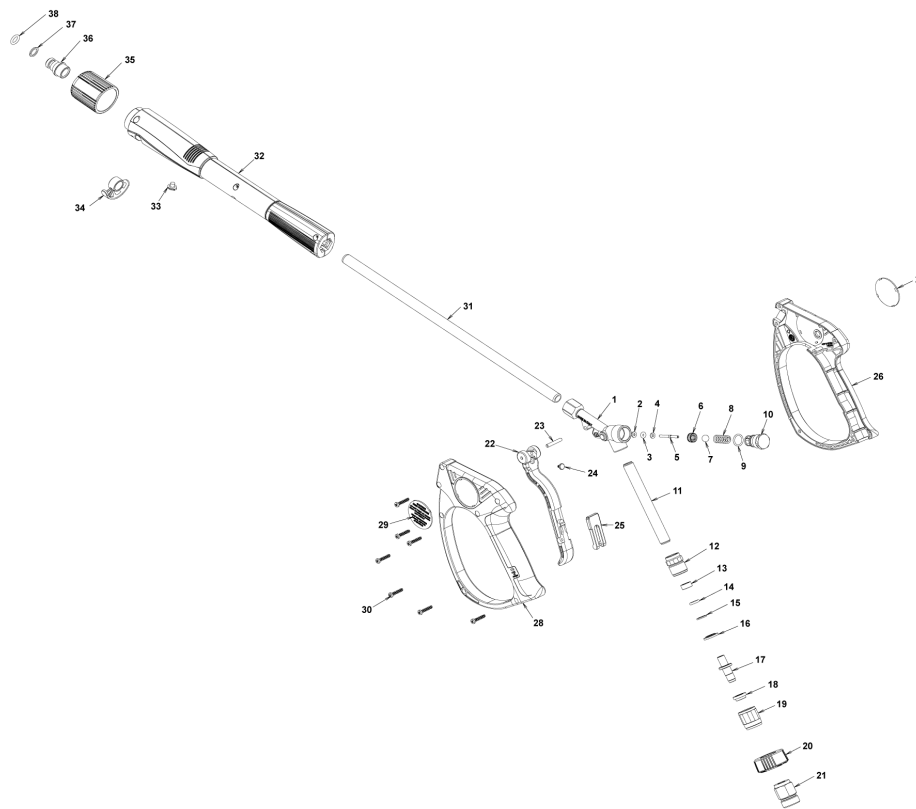
Ref. Part n.	Cust. part n.	Description	Reference	Price
K A	KTRI40142	KIT P 15-42909 RR	0003 0004	--
K B	KTRI40166	KIT P 15-2526 D.22 RK	0025	--
K C	KTRI40167	KIT P 15-1855 RK	0016 0019 0034 0039	--
K E	KTRI40168	KIT P 15-42925 D.22 RK	0012 0014 0051 0052	--



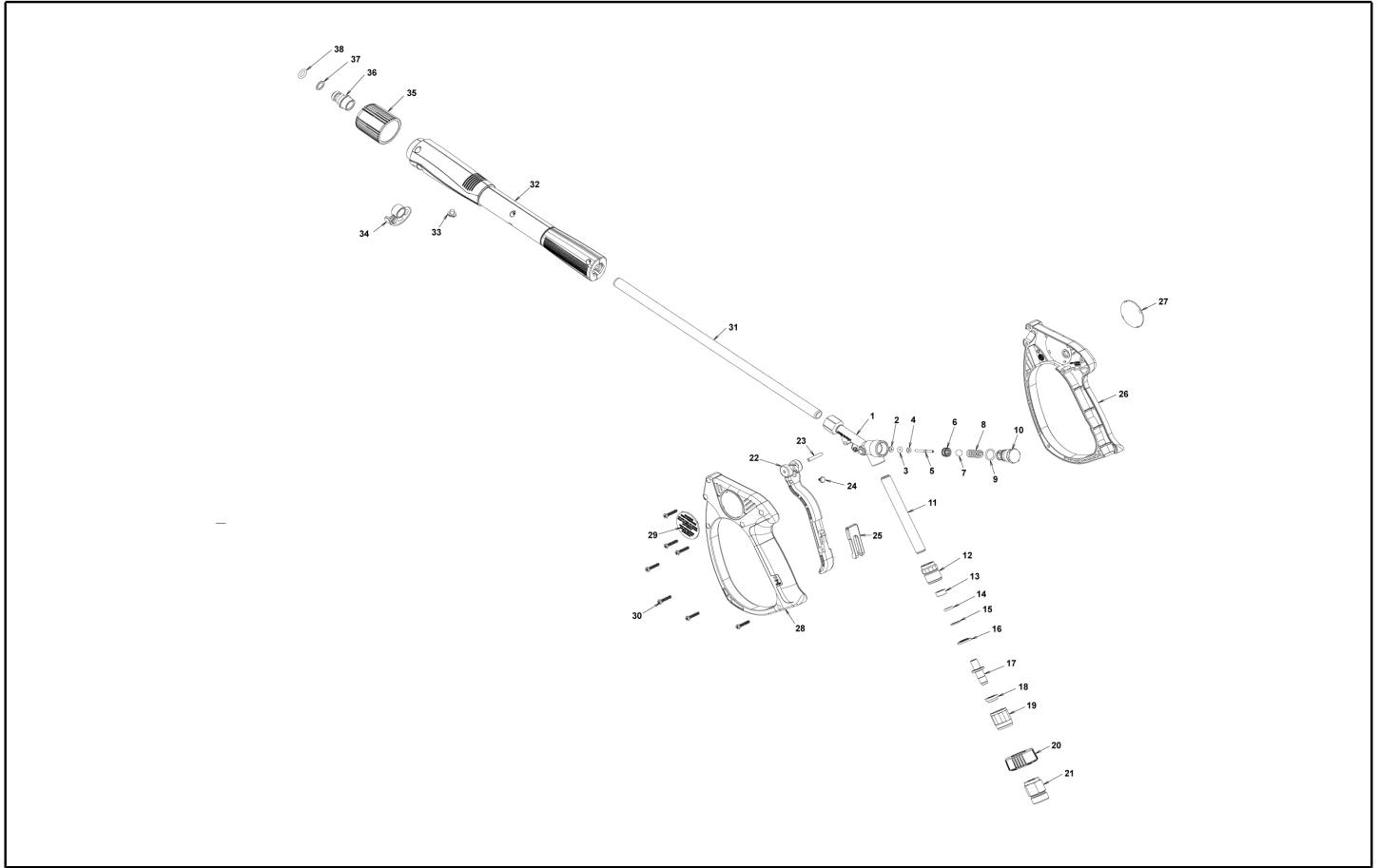
Ref. K	Part n.	Customer part n.	Description	Quantity	Validity		Price
					From	To	
0001	LAFN40007		PROTECTION ED H.112 EST. LM.BK	1,00			--
0002	VEVR48370	00048370	MOTOR FAN H 112 EST. ELD	1,00			--
0003	CUVR40002		BALL BEARING 6306 2Z	1,00			--
0004	MORT40006		EL.MOT. ROTOR 7.5HP T 4P H112 B14 ES RC	1,00			--
0005	CUVR40002		BALL BEARING 6306 2Z	1,00			--
0006	MFVR40000		FLANGE MOTOR H 112 B14 5-7.5HP EST ED	1,00			--



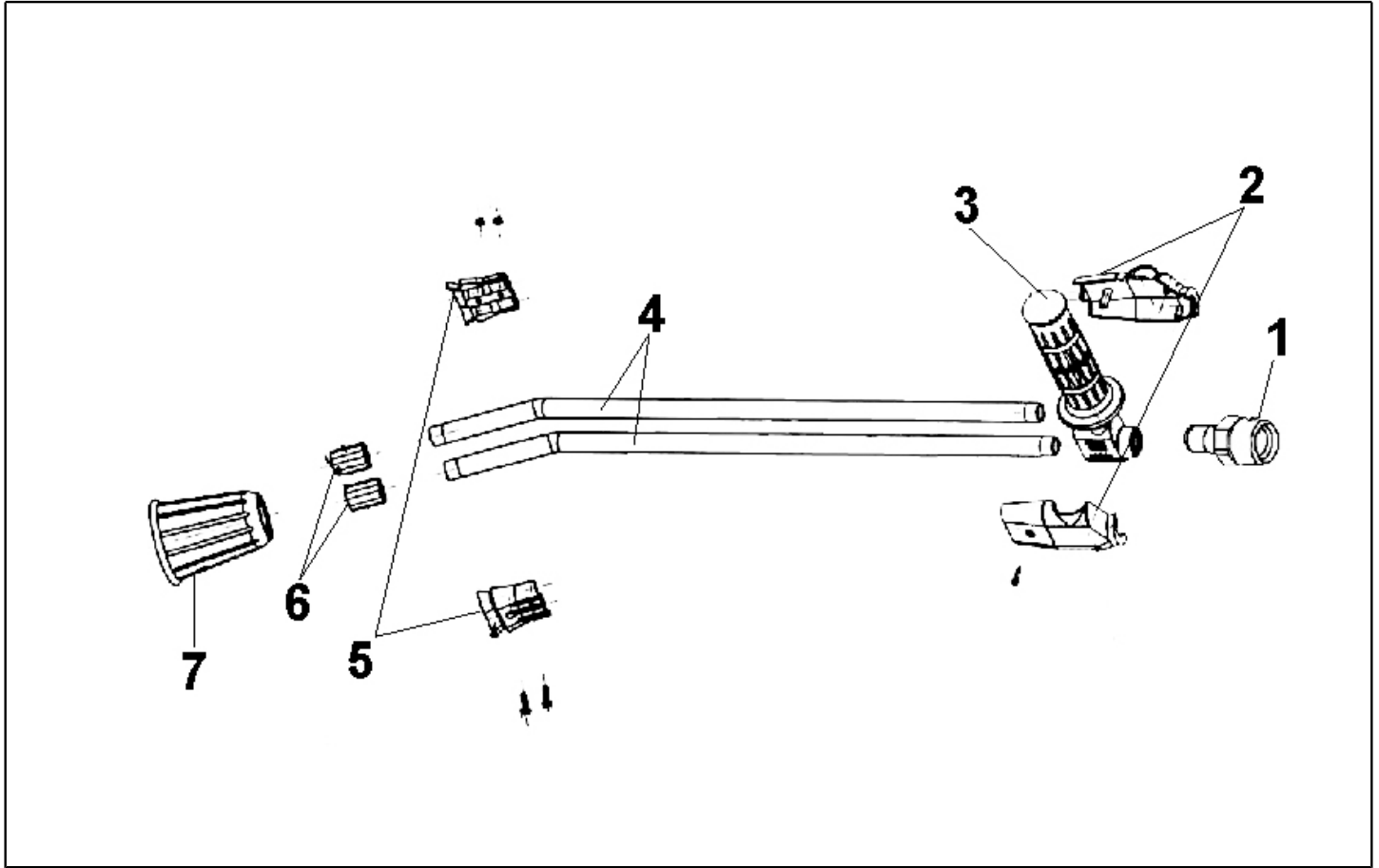
Ref. K	Part n.	Customer part n.	Description	Quantity	Validity		Price
					From	To	
0001	PVVR40342		VALVE BODY VRT3 3/8F	1,00			--
0002	S PVVR40343		BALL SEAT D.7 VRT3 + OR	1,00			--
0003	S SFVR27026	00027026	BALL D.11/32" INX	1,00			--
0004	MLML40024		SPRING MV0316 28	1,00			--
0005	S GUGO24913	00024913	O-RING D. 17.17 X 1.78 NBR 90SH	2,00			--
0006	PVVR40344		CONNECTOR VRT3 G3/8F	1,00			--
0007	PVVR40345		PUSH ROD VRT3	1,00			--
0008	S GUVR40070		ANTI-EXTR.RING D. 11.5X15.9X1.2	2,00			--
0009	S GUGO11225	00011225	O-RING D. 10.78 X 2.62 NBR 70SH	1,00			--
0010	S GUGO21638	00021638	O-RING D. 7.60 X 2.62 NBR 70SH	1,00			--
0011	S GUVR40071		ANTI-EXTR.RING D. 8 X 12.6	1,00			--
0012	PVVR40346		ROD GUIDE VRT3	1,00			--
0013	VTDD40011		NUT M 8 OT UNI EN 24035	2,00			--
0014	MLML40025		SPRING D. 5.7/20.7X56 25MPa	1,00			--
0015	VTRS00512	00000512	WASHER D. 8 X24 ZC.	1,00			--
0016	PVVR40347		KNOB VRT3-VHP	1,00			--
0017	VTDD00124		NUT M 8 BASSO	1,00			--
0018	PVVR40348		CAP VRT3 25MPa	1,00			--
0019	VTVR40045		ELASTIC PLUG 3X14 UNI-EN28748	1,00			--
0020	S GUGO46053	00046053	O-RING D. 6 X 3 NBR 90SH	1,00			--
0021	PVVR40349		COUPLING VRT3	1,00			--
0022	MLML40026		SPRING VRT3	1,00			--
0023	S GUGO12321	00012321	O-RING D. 15.6 X 1.78 NBR 90SH	1,00			--
0024	PVVR40350		CONNECTOR VRT3 G 3/8F	1,00			--
0025	VTRS12254	00012254	WASHER D. 8X14X1.5	2,00			--
0026	PVVR40351		CAP EI G 3/8 VRT3 OT	2,00			--



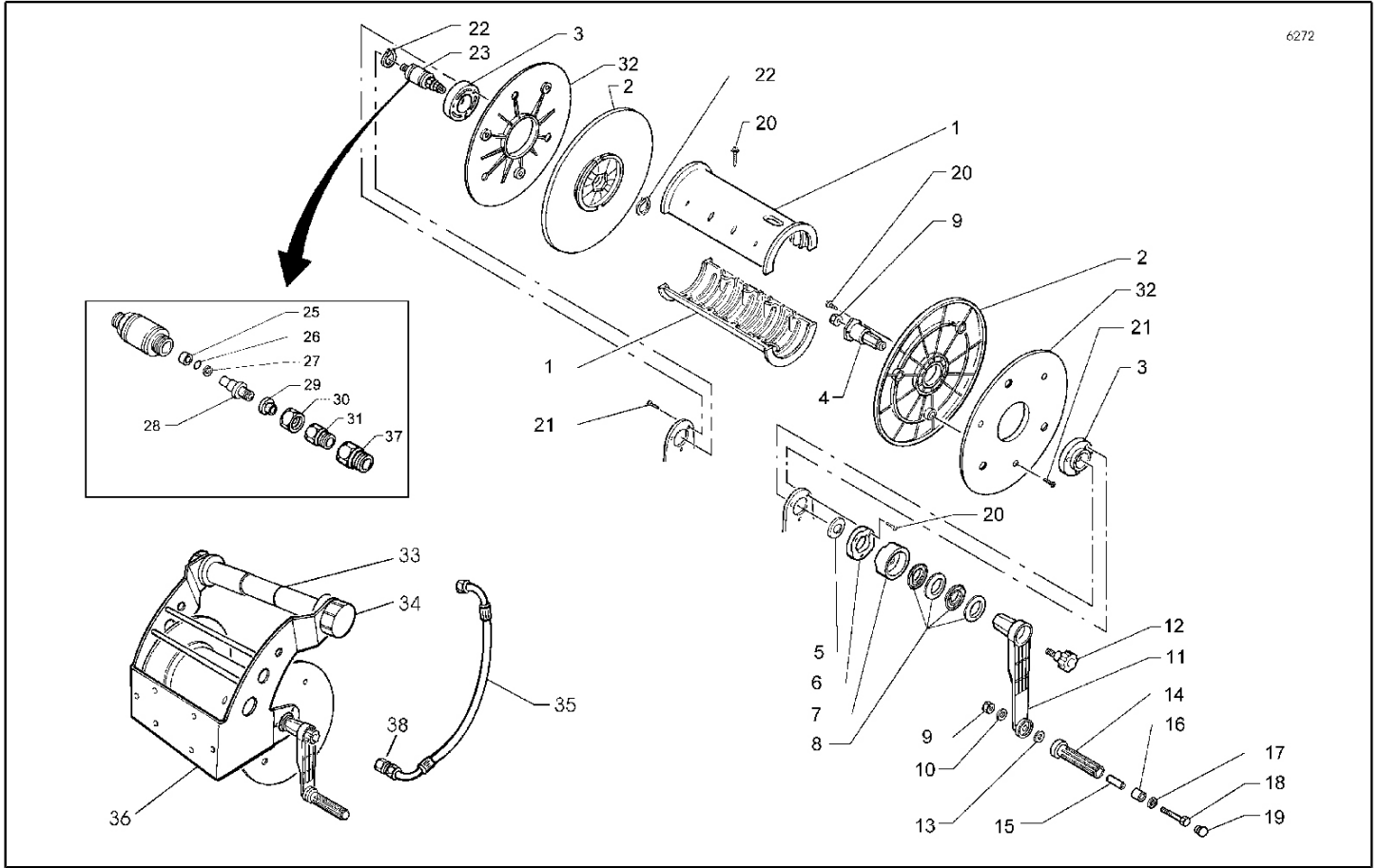
Ref. K	Part n.	Customer part n.	Description	Quantity	Validity		Price
					From	To	
0001	PVVR40402		GUN BODY G5000-V/2 G1/4F	1,00			--
0002	S GUGO17952	00017952	O-RING D. 2.84 X 2.62 NBR 70SH	1,00			--
0003	S GUGO21835	00021835	O-RING D. 2.84 X 2.62 VIT. 80SH	1,00			--
0004	S VTRS40024		WASHER D. 3 X 7 X1,5 OT	1,00			--
0005	S PVVR40404		SMALL PISTON G5000-V/2	1,00			--
0006	S PVVR40112		BALL SEAT G 5000	1,00			--
0007	S SFVR06779	00006779	BALL INOX 11/32	1,00			--
0008	MLML40016		SPRING D. 9.4 x21.5x1.6 G5000	1,00			--
0009	S GUGO21841	00021841	O-RING D. 12.42 X 1.78 NBR 90SH	1,00			--
0010	PVVR40113		CAP G 5000	1,00			--
0011	PVVR40405		TUBE G 1/4" L.115	1,00			--
0012	RCIN40024		CONNECTOR SWIV G5000-V/2 1/4F	1,00			--
0013	S PVVR40406		BUSHING G5000-V/2	1,00			--
0014	S PVVR40403		RING SW. G5000-V/2	1,00			--
0015	S GUVR40081		ANTI-EXTR.RING D.9 X13.2X1.2	1,00			--
0016	S PVVR40407		SPACER G5000-V/2	1,00			--
0017	S PVVR40408		PIN G5000-V/2	1,00			--
0018	S PVVR40409		BUSHING C/GRAD. G5000-V/2	1,00			--
0019	PVVR40410		NIPPLE G5000-V/2	1,00			--
0020	PVVR40411		KNOB SWIVEL G5000-V/2	1,00			--
0021	RCIN40025		CONNECTOR SWIV G5000-V/2 M22	1,00			--
0022	S MPVR40628		TRIGGER G5000-V/2	1,00			--
0023	S VTVR40008		PLUG D. 3 G5000	1,00			--
0024	S PVVR45053	00045053	PAWL G 2100 INX	1,00			--
0025	S MPVR40629		SAFETY-DEVICE G 5000-SW	1,00			--
0026	MPVR40630		SHELL G5000-V/2 DX	1,00			--
0027	MPVR40631		PLATE G5000-V/2	1,00			--
0028	MPVR40632		SHELL G5000-V/2 SX	1,00			--
0029	MPVR40633		PLATE G5000-V/2 SX	1,00			--
0030	VTVT62984	00062984	SCREW TC-CR M 4.2 X19 ZN	7,00			--
0031	LCPR40015		TUBE 1/4 L=370 ZC. 0°	1,00			--
0032	MPVR40195		PROTECTION P 370 MV	1,00			--
0033	MPVR40198		CAP G 5000	1,00			--
0034	MPVR40197		CAP G 5000 FIX.	1,00			--
0035	PVVR40119		CONNECTION M22X1,5 IRV G5000	1,00			--
0036	RCIN40009		GUIDGEON G 1/4 F IRV G5000	1,00			--
0037	GUVR40034		ANTI-EXTR.RING D. 10 X14	1,00			--
0038	GUGO40055		O-RING D. 2.62 X 9.19 - VITON	1,00			--



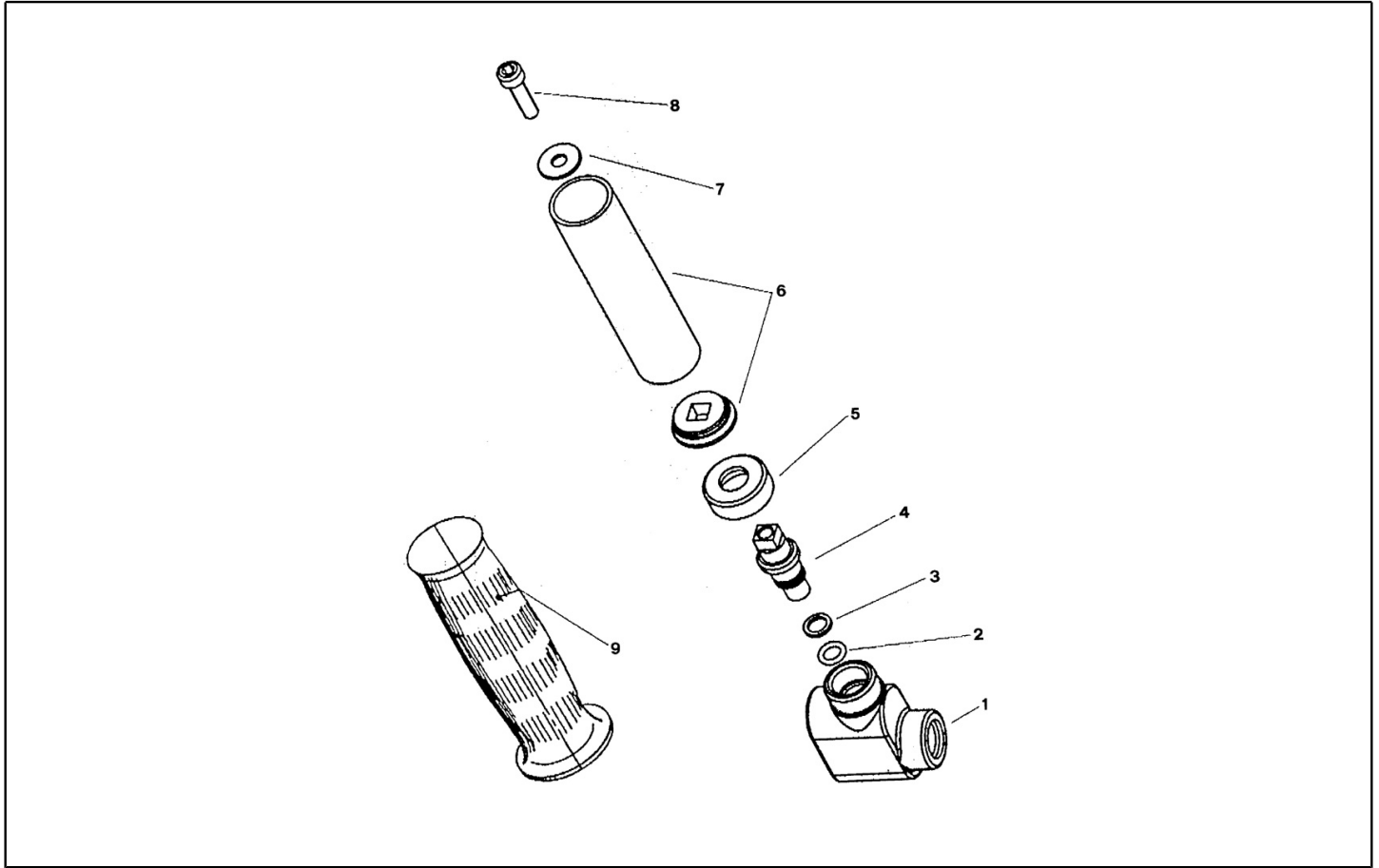
Ref. Part n.	Cust. part n.	Description	Reference	Price
KTRI40287		KIT P 26- 29 OR SEDE G5000-V/2	0002 0003 0004 0005 0006 0007 0009	--
KTRI40285		KIT P 26- 27 SWIVEL G5000-V/2	0013 0014 0015 0016 0017 0018	--
KTRI40286		KIT P 26- 28 LEVA G5000-V/2	0022 0023 0024 0025	--



Ref. K	Part n.	Customer part n.	Description	Quantity	Validity		Price
					From	To	
0001	PVVR45296	00045296	COUPLING G 1/4M -M22 M +PR.PLS	1,00			--
0002	MPVR45214	00045214	PROTECTION TB. 1/4 MTM	1,00			--
0003	RCGR45737	00045737	TAP 1/8 F LD MTM	1,00			--
0004	LCPR45740	00045740	TUBE 1/8 L=660 INOX MTM	2,00			--
0005	MPVR45001	00045001	SHELL LD MTM	1,00			--
0006	RCVR45741	00045741	NOZZLE HOLDER 1/4-1/8 F MTM	2,00			--
0007	PVVR43810	00043810	PROTECTION L.D. MTM	1,00			--



Ref. K	Part n.	Customer part n.	Description	Quantity	Validity		Price
					From	To	
0001	MPVR40078		HALF BEARING ROLLER 20 P/IN.M22	2,00	15/05/2008		--
0002	MPVR74140	00074140	DISC ROLLER 20/40	2,00			--
0003	MPVR77565	00077565	RING ROLLER 20/40	2,00			--
0004	FGGT74143	00074143	JOINT ROLLER 20/40	1,00			--
0005	MPVR77567	00077567	RING ROLLER	1,00			--
0006	MPVR77568	00077568	RING ROLLER	1,00			--
0007	MPVR77569	00077569	RING ROLLER	1,00			--
0008	S MLML74155	00074155	SPRING ROLLER	4,00			--
0009	VTDD00492	00000492	NUT M 8 ZINC	1,00	16/03/2004		--
0010	VTRS00512	00000512	WASHER D. 8 X24 ZC.	1,00	12/07/2004		--
0011	MPVR74142	00074142	LEVER ROLLER 20/40	1,00			--
0012	VTVR74163	00074163	HANDWHEEL VAL-PA M 8 X 30	1,00			--
0013	VTRS00505	00000505	WASHER D.10 TE UNI 6592	1,00			--
0014	MPVR74792	00074792	KNOB LC-PRT	1,00			--
0015	RCVR74200	00074200	SLEEVE ROLLER 20/40	1,00			--
0016	MPVR77566	00077566	BUSHING ROLLER 20/40	1,00			--
0017	VTRS00504	00000504	WASHER D. 8 TE ZC. UNI 6592	1,00			--
0018	VTVT07994	00007994	SCREW TE 8X65	1,00	16/03/2004		--
0019	MPVR37542	00037542	RUBBER D.E.25 -L.27 70-80SH	1,00			--
0020	VTVT85143	00085143	SCREW AF 4X 16 UNI 6954-71 ZN.N	12,00			--
0021	VTVT87974	00087974	SCREW AF 4X 12 UNI 6954-71 ZN.N	9,00	07/05/2011		--
0022	VTAE31890	00031890	CIRCLIP D. 35 UNI 7435	2,00			--
0023	RCIN75339	00075339	SWIVEL RACCORD ROLLER	1,00			--
0025	LAFN74740	00074740	BUSHING GIUNTO GIREVOLE	1,00			--
0026	GUGO38710	00038710	O-RING D. 9,3 X 2,4 VIT 70SH	1,00			--
0027	GUVR72923	00072923	ANTI-EXTR.RING 13,9X 10,2	1,00			--
0028	LAFN74737	00074737	PIN GIUNTO GIREVOLE	1,00			--
0029	RCVR74739	00074739	SPACER GIUNTO GIREVOLE	1,00			--
0030	RCDS74738	00074738	RING NUT M22x1	1,00			--
0031	RCIN74742	00074742	COUPLING G 3/8M	1,00			--
0032	MPVR86961	00086961	DISC ROLLER 20/40 NERO	2,00			--
0032	VTVT13797	00013797	SCREW TE 8X16 UNI8111 SW.FRM	6,00	19/03/2009		--
0033	MPVR74138	00074138	GRIP SHARK	1,00			--
0034	MPVR40573	00040573	TANK CAP MHDS-SK	2,00			--
0035	TBAP75441	00075441	HOSE-FITTING 3/ 8 L=665 R2 3/8F 90°	1,00			--
0036	LAFN85235	00085235	HOSE WIND.SUPP. ADMIRAL	1,00			--
0037	RCIN03753	00003753	MALE COUPLING M22-3/8 M-FA	1,00	01/10/2007		--
0038	RCIN03755	00003755	FEMALE COUPLIN. 3/8MB	1,00	01/10/2007		--



Ref. K	Part n.	Customer part n.	Description	Quantity	Validity		Price
					From	To	
0001	RCGR41556	00041556	TAP BODY L.DOP. 1/8" MTM	1,00		08/03/2010	--
0001	PVVR40132		VALVE BODY L.DP 1/4F-1/8FF CP.	1,00	09/03/2010		--
0002	GUGO10330	00010330	O-RING D. 6.07 X 1.78 VIT 70SH	1,00		08/03/2010	--
0003	GUVR41551	00041551	ANTI-EXTR.RING SR 010	1,00		08/03/2010	--
0004	PVVR41553	00041553	SMALL PISTON L.DP. MTM	1,00		08/03/2010	--
0005	PVVR41555	00041555	RING NUT L.DOP. MTM	1,00		08/03/2010	--
0006	LAFN41552	00041552	PIPE D. 22 MTM	1,00			--
0007	VTRS15958	00015958	WASHER UNI 6592 5X15X1,5 ZB	1,00			--
0008	VTVT17639	00017639	SCREW TCEI M 5X10 UNI 5931	1,00			--
0009	MPVR41554	00041554	KNOB D. 22 MTM	1,00			--